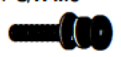



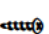



# ASSEMBLY INSTRUCTIONS

**IMPORTANT NOTE :**

- \* PLACE ALL WOODEN PARTS ON A CLEAN AND SMOOTH SURFACE SUCH AS A RUG OR CARPET TO AVOID THE PARTS FROM BEING SCRATCHED.
- \* BEFORE YOU BEGIN, KINDLY FOLLOW THE ASSEMBLY INSTRUCTIONS STEP BY STEP.
- \* DO NOT TIGHTEN ALL SCREWS UNTIL THE CHAIR IS FULLY SET-UP.

| HARDWARE LIST |  | PART LIST |                      |
|---------------|--|-----------|----------------------|
| A             | JCBC M6 x 25mm + S/W M6 + F/W M6 x 13mm  4PCS | 1         | RIGHT SIDE FRAME 1PC |
| B             | JCBC M6 x 45mm + S/W M6 + F/W M6 x 13mm  4PCS | 2         | LEFT SIDE FRAME 1PC  |
| C             | ALLEN KEY M4  1PC                             | 3         | FRONT STRETCHER 1PC  |
| D             | L BRACKET  4PCS                               | 4         | BACK STRETCHER 1PC   |
| E             | PH SCREW M4 x 12mm  8PCS                      | 5         | TOP REST 1PC         |
| F             | WOOD DOWEL M8 x 25mm  2PCS                    | 6         | CUSHION SEAT 1PC     |

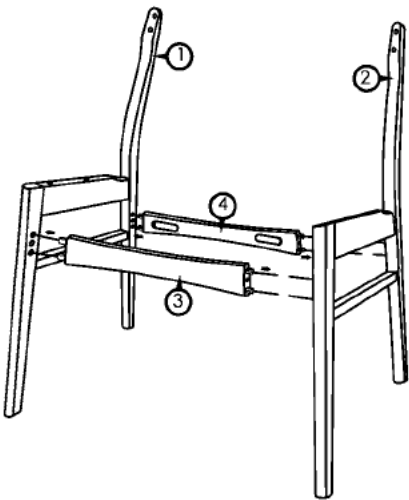
## CAUTIONS :

(1) DO NOT FULLY-TIGHTEN THE NUT OR NUT BOLTS INITIALLY UNTIL ALL NUTS OR BOLT IS READY ASSEMBLED.

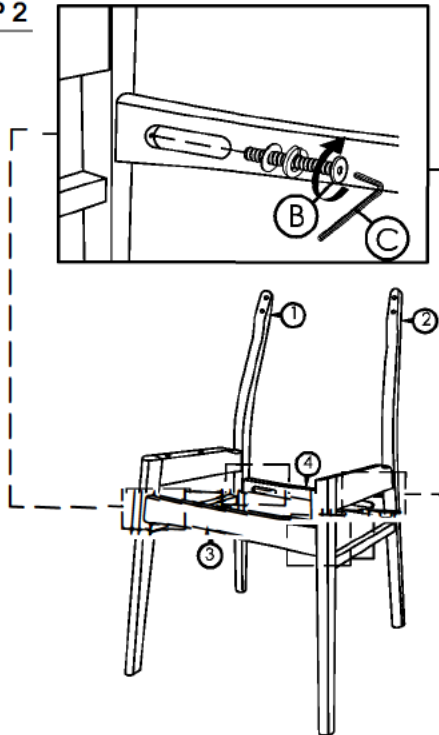
(TO AVOID CAUSING DAMAGES TO THE THREAD, DO NOT OVER-TIGHTEN THE NUTS OR BOLTS.)

(2) KEEP ALL HARDWARE PART OUT OF REACH OF CHILDREN.

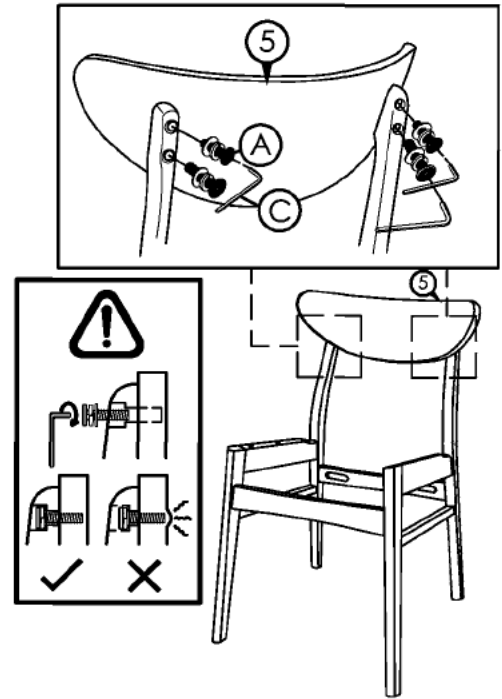
## STEP 1



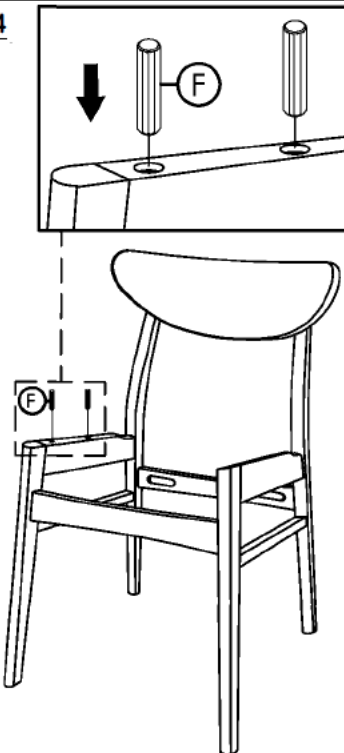
## STEP 2



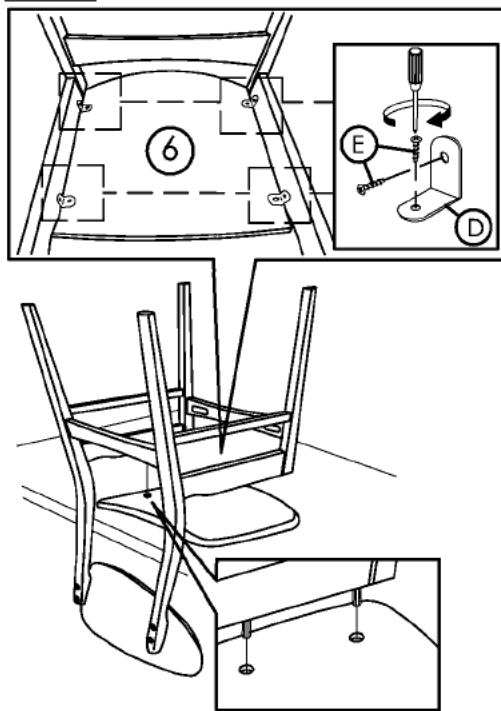
## STEP 3



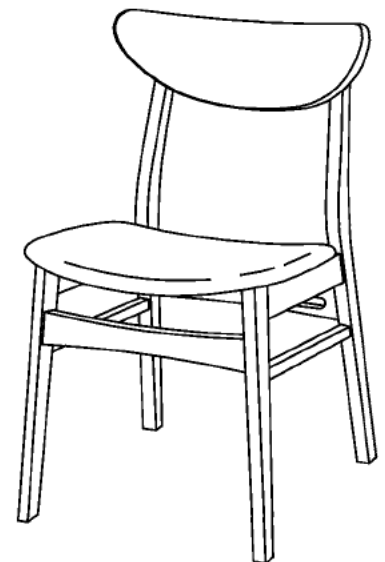
## STEP 4



## STEP 5



## STEP 6





COMPLETED CHAIR ASSEMBLY.

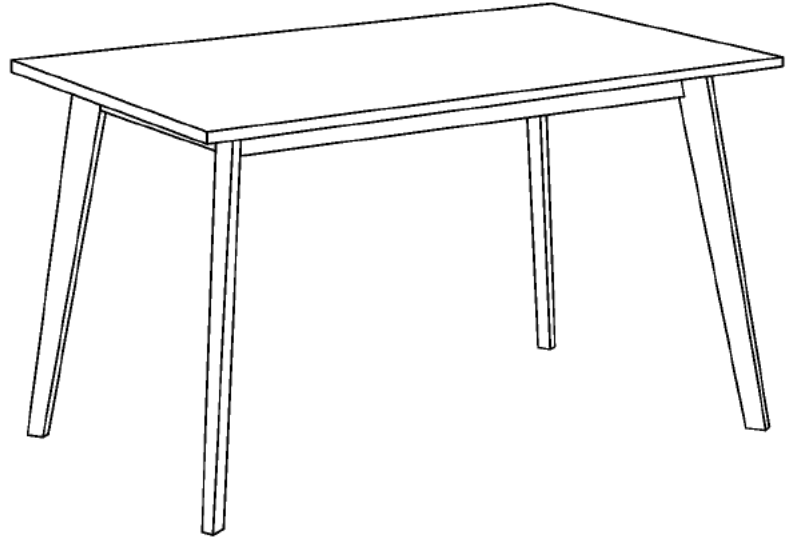
# ASSEMBLY INSTRUCTIONS

## IMPORTANT NOTE :

- \* PLACE ALL WOODEN PARTS ON A CLEAN AND SMOOTH SURFACE SUCH AS A RUG OR CARPET TO AVOID THE PARTS FROM BEING SCRATCHED.
- \* BEFORE YOU BEGIN, KINDLY FOLLOW THE ASSEMBLY INSTRUCTIONS STEP BY STEP.

| HARDWARE LIST |   |      |
|---------------|---|------|
| A             | JCBB M8 x 80mm + S/W 5/16"<br>+ F/W 5/16" x 22mm<br> | 8PCS |
| B             | ALLEN KEY M5<br>                                     | 1PC  |

| PART LIST |           |      |
|-----------|-----------|------|
| 1         | TABLE TOP | 1PC  |
| 2         | TABLE LEG | 4PCS |



COMPLETED TABLE ASSEMBLY.

