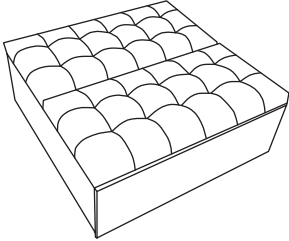


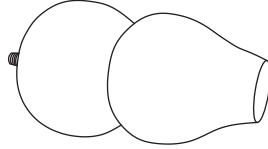
ASSEMBLY INSTRUCTION

1



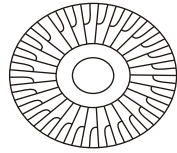
1pc

2

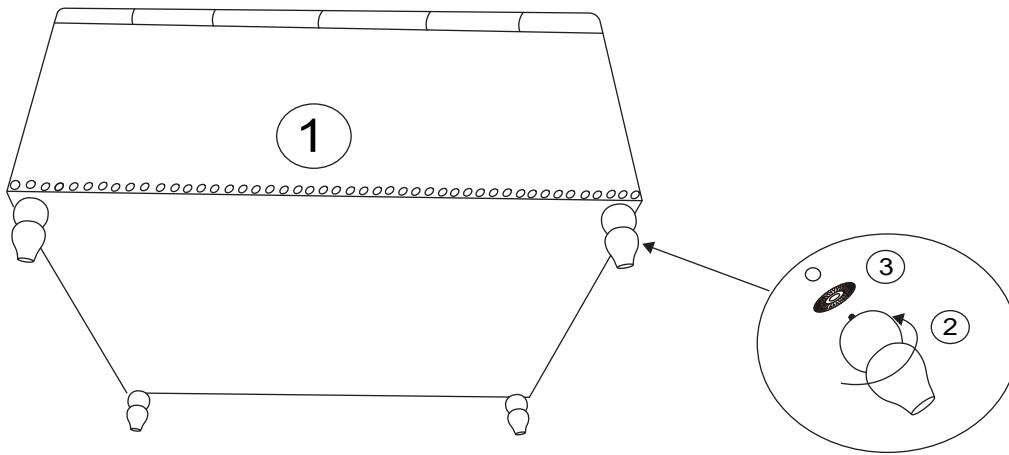


4pcs

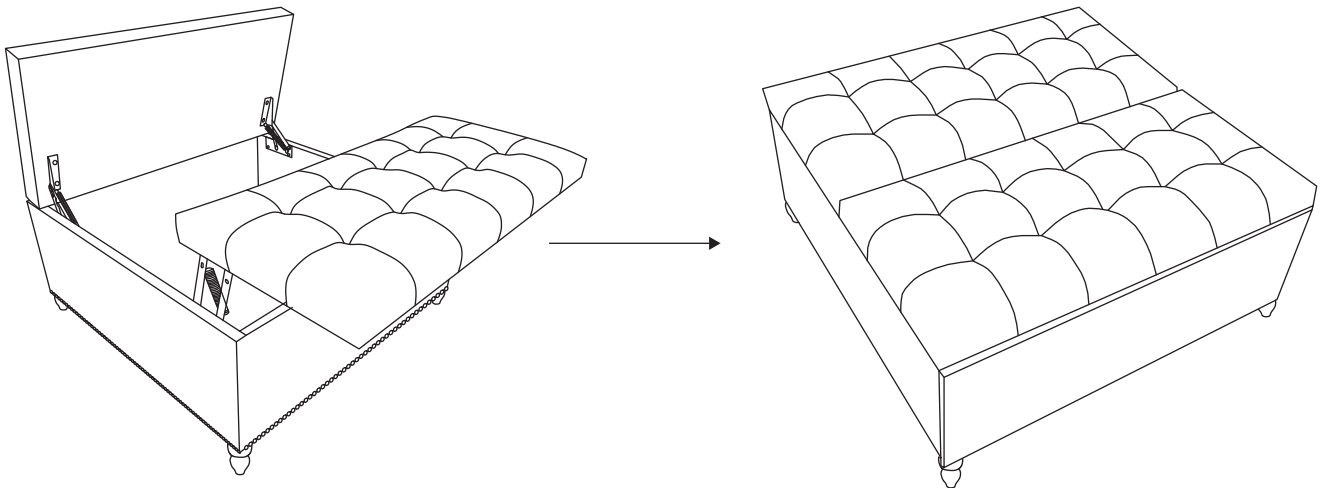
3



4pcs



Step 1



Step 2