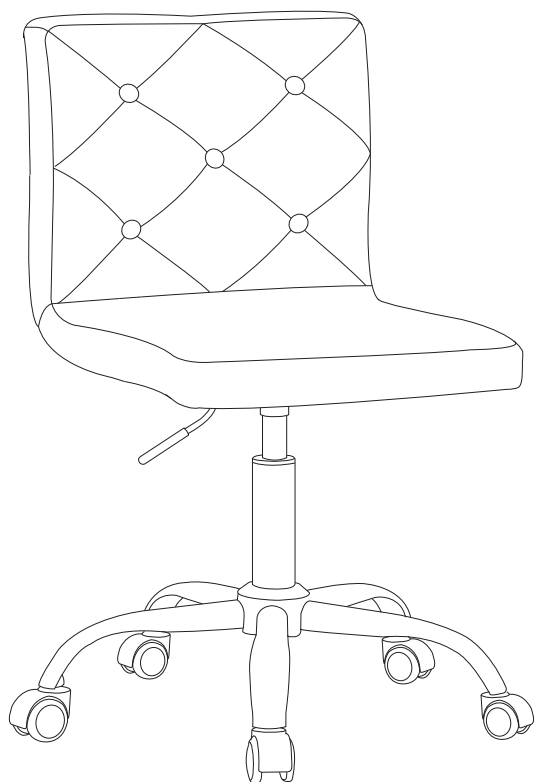



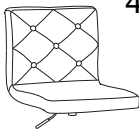



# Assembly Instruction



Components		
A	 50*50*280mm Gas Lift	×1
B	 490*470*88mm Star Base	×1
C	 65*50*80mm Caster	×5
D	 490*430*470mm Seat with pipe	×1
E	 80*80*33mm Catch	×1

## Return Policy

We believe you will absolutely love your new item. But if for some reason you want to return, please contact us directly before you decide to return your product.

The item must be returned within 30 days of delivery for a full refund. The item must be returned in good condition, in original box, with all original proof of purchase, parts and acces-

## Trouble shooting:

Missing parts

Other issues

Resend within 24 hours





Respond within 24 hours

Issue resolved

Issue resolved

We control manufacturing and distribution ourselves, ensure the quality.

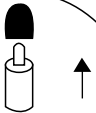
1

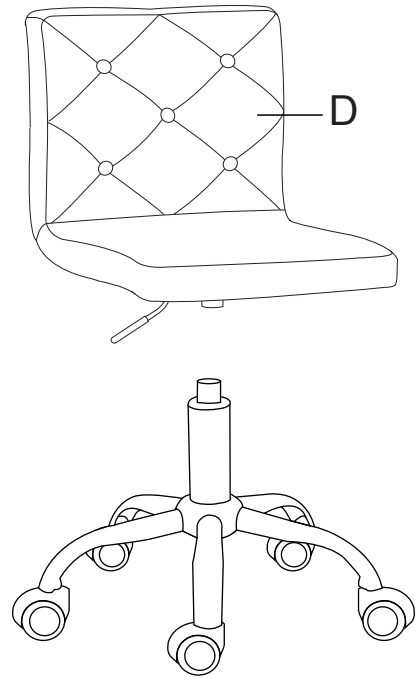
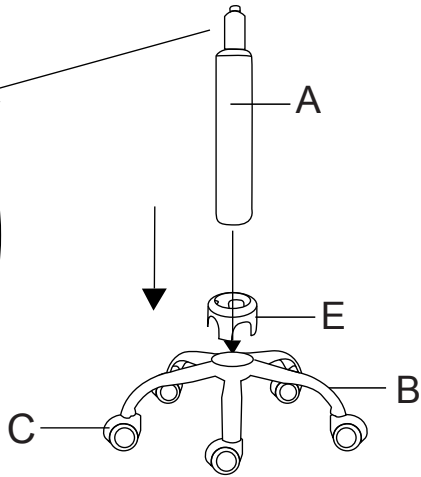
	Ax1
	Bx1
	Cx5
	Ex1

2



Dx1

  
**WARNING!**  
The black cap on the top of gas lift must be removed before assembly



3

