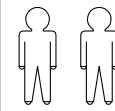
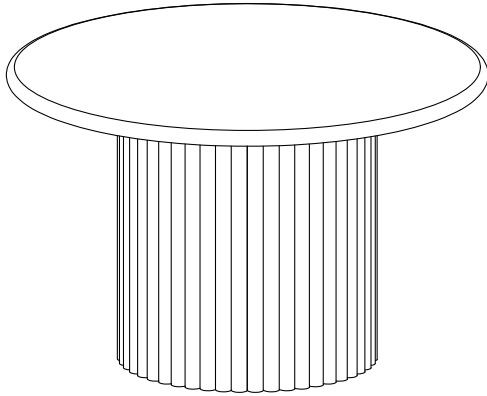


# ASSEMBLY INSTRUCTIONS

MODEL : TB8078



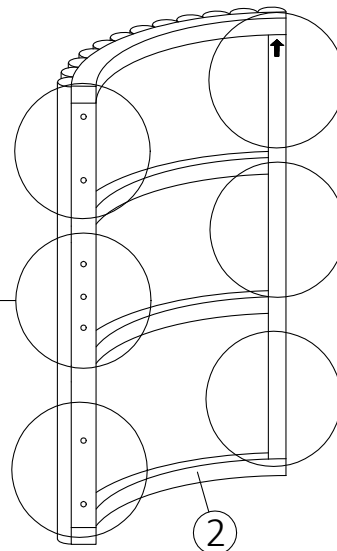
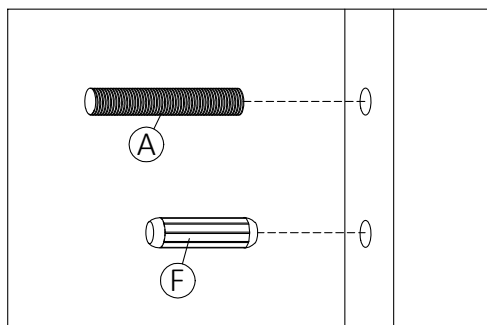
2 Persons Recommended



ITEM	HARDWARE LIST	DESCRIPTION	QTY
A	Wood Stand M8 x 65		12 PCS
B	JCBC Bolt M6 x 25		8 PCS
C	JCBC Bolt M6 x 35		8 PCS
D	Spring Washer M6		16 PCS
E	Flat Washer M6 x 13		16 PCS
F	Wood Dowel M10 x 30		16 PCS
G	Allen Key M4 Long		1 PC
H	Adjuster 15mm		8 PCS
I	Hex Nut M8		12 PCS
J	Flat Washer M8		12 PCS
K	Spring Washer 5/16		12 PCS
L	Spanner 13		1 PC

ITEM	PART NAME	QTY
1	Table Top	1 PC
2	Leg	4 PCS
3	Frame	1 PC

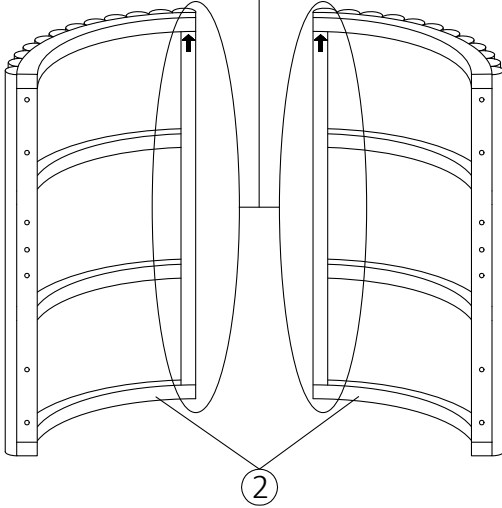
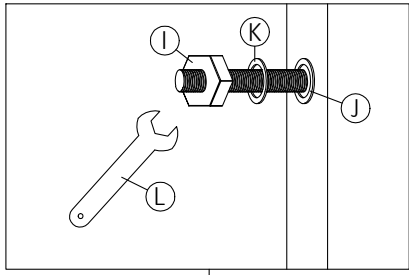
## STEP 1



x4

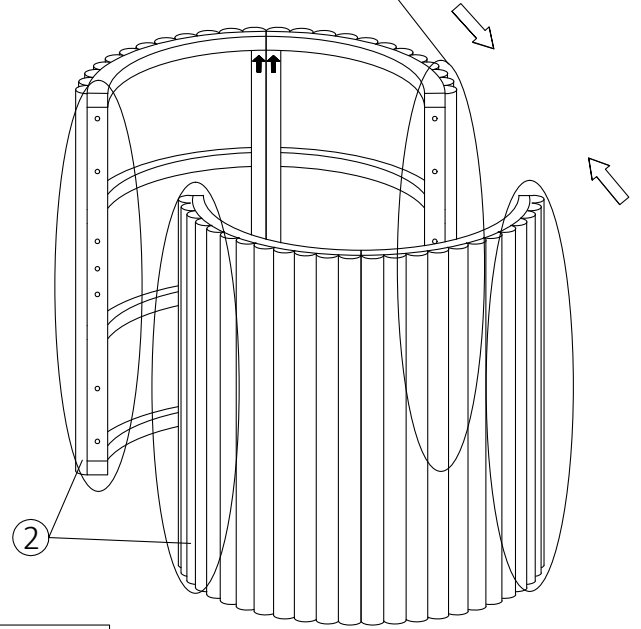
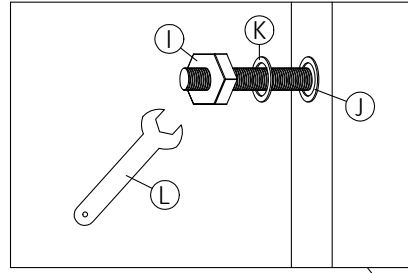
Remark: Please make sure the **arrow** at the top.

STEP 2



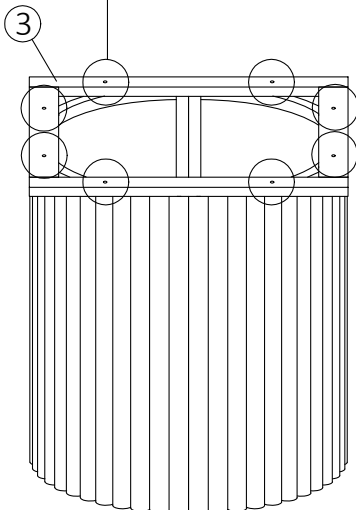
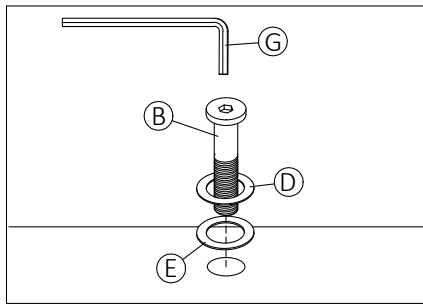
x4

STEP 3



Remark: Please make sure the **arrow** at the top.

STEP 4



STEP 5

