

# Assembly Instruction



















## ASSEMBLY TIPS:

- 1.Remove hardware from box and sort by size.
- 2.Please check to see that all hardware and parts are present prior to start of assembly.
- 3.Please follow attached instructions in the same sequence as numbered to assure fast & easy assembly.

## Warning !

- 1.Don't attempt to repair or modify parts that are broken or defective.Please contact the store immediately.
- 2.This product is for home use only and not intended for commercial establishment.



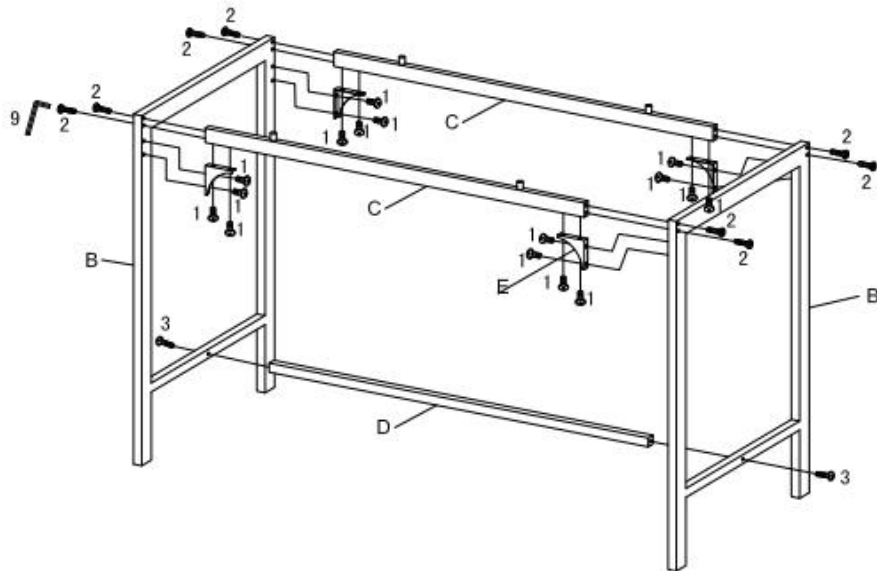
PARTS IDENTIFICATION		Z	HARDWARE PACKAGE		
			DESCRIPTION	FIGURE	Q'TY
A Table Top	 1 PC	1	Bolt (M6x8MM)		16 PCS
B Table Side Frame	 2 PCS	2	Bolt (M6x40MM)		8 PCS
C Table Top Crossbar	 2 PCS	3	Bolt (M6x50MM)		2 PCS
D Table Bottom Crossbar	 1 PC	4	Bolt (M6x75MM)		4 PCS
E Table Corner Support	 4 PCS	5	Flat Gasket =16*6.5*T2.0		4 PCS
F Chair Seat	 4 PCS	6	Bolt (M6x12MM)		8X4 PCS
G Chair Side Frame	 8 PCS	7	Bolt (M6x35MM)		4x4 PCS
H Chair Top Crossbar	 8 PCS	8	Bolt (M6x45MM)		4x4 PCS
I Chair Bottom Crossbar	 8 PCS	9	Allen Wrench (M4)		1 PC

NOTE: QUANTITIES SHOWN ARE FOR ONE TABLE WITH FOUR CHAIRS

---

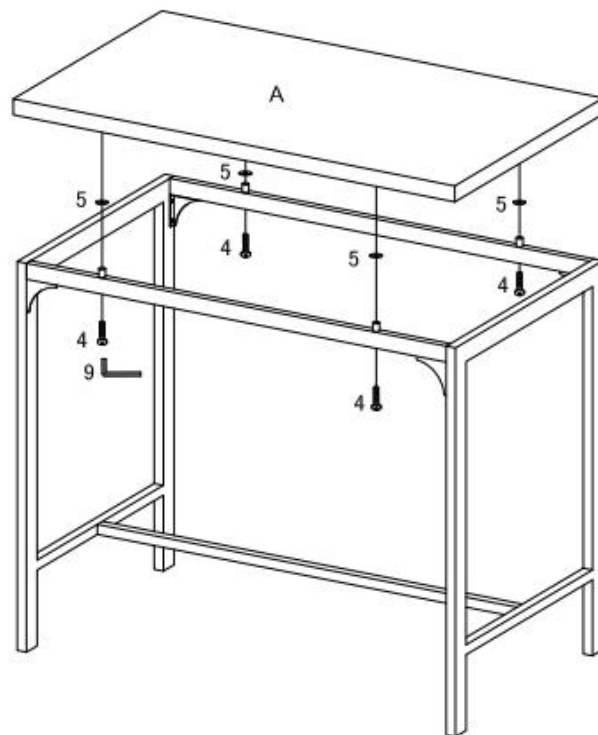
It takes about thirty minutes to assemble the item.

**STEP 1.**



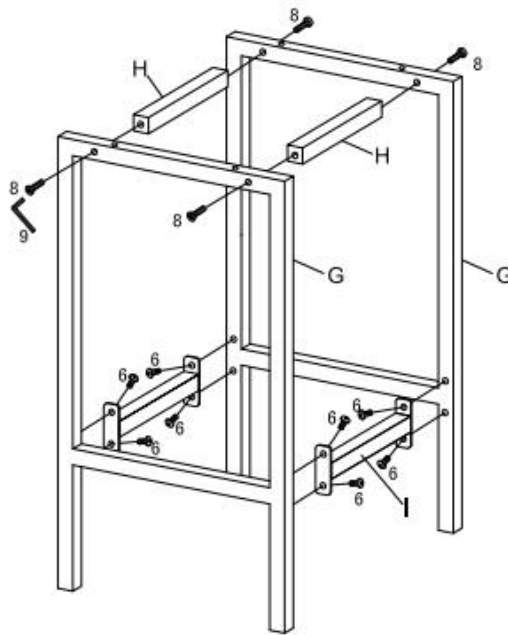
---

**STEP 2.**



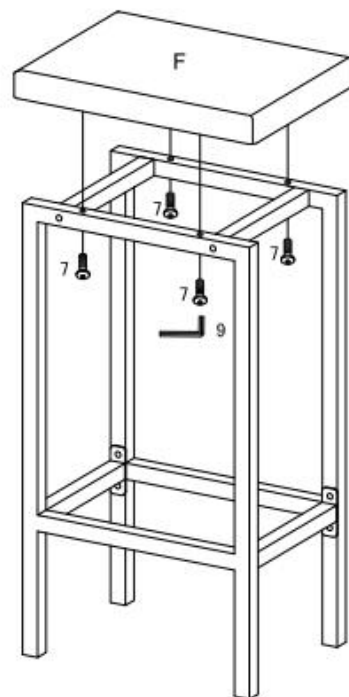
---

STEP 1.

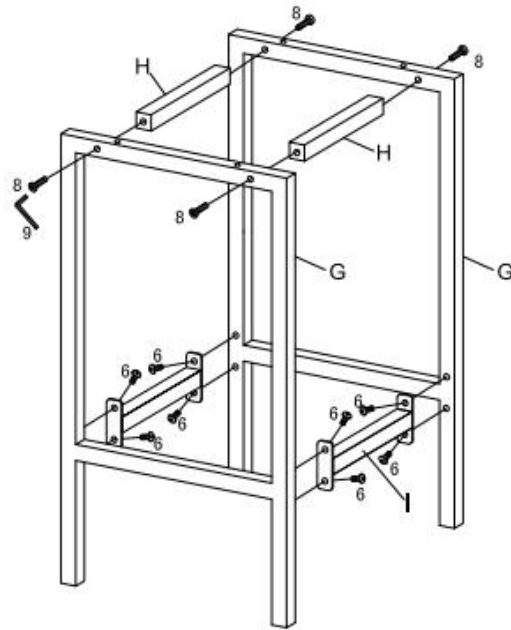


---

STEP 2.



STEP 1.



STEP 2.

