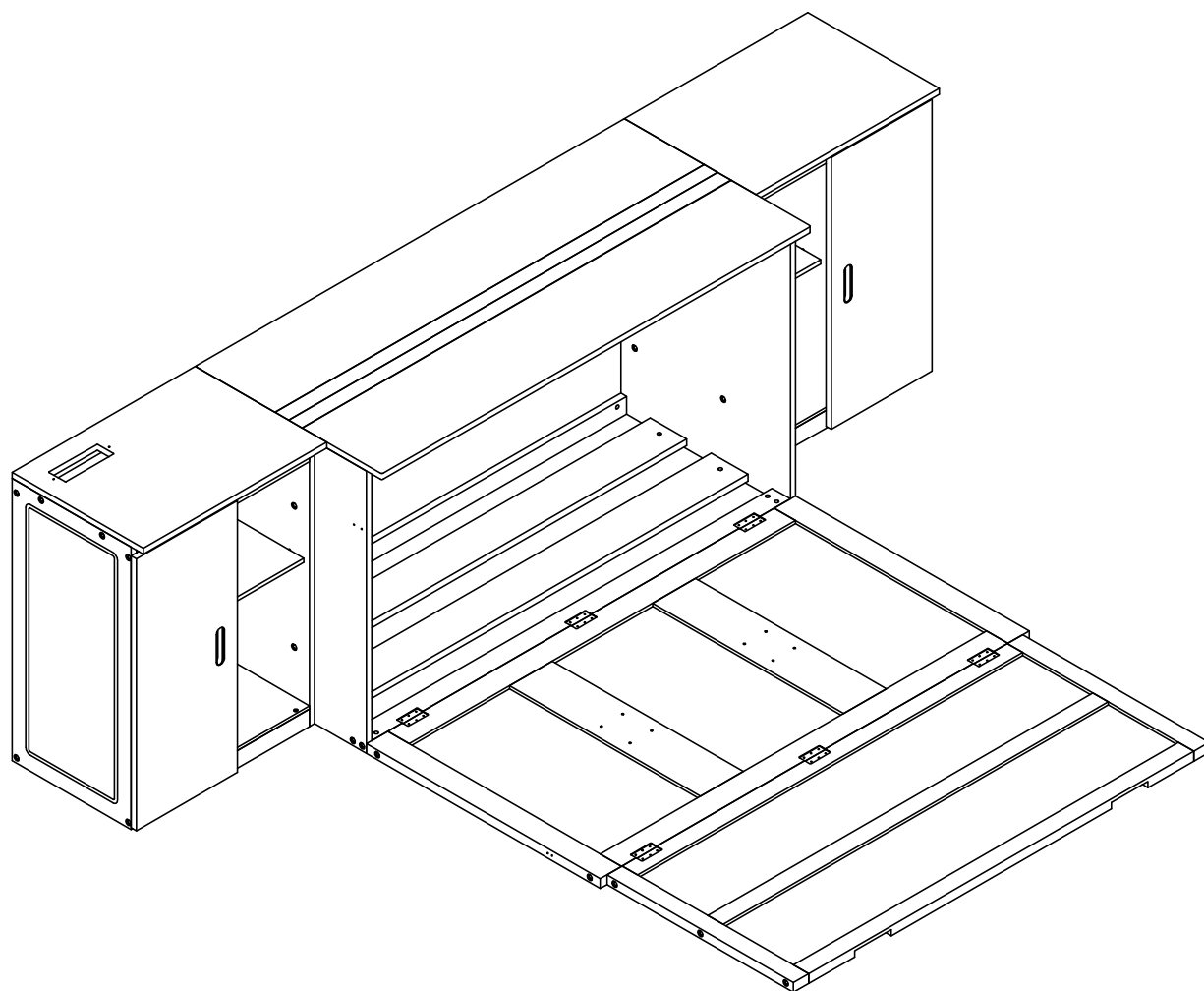
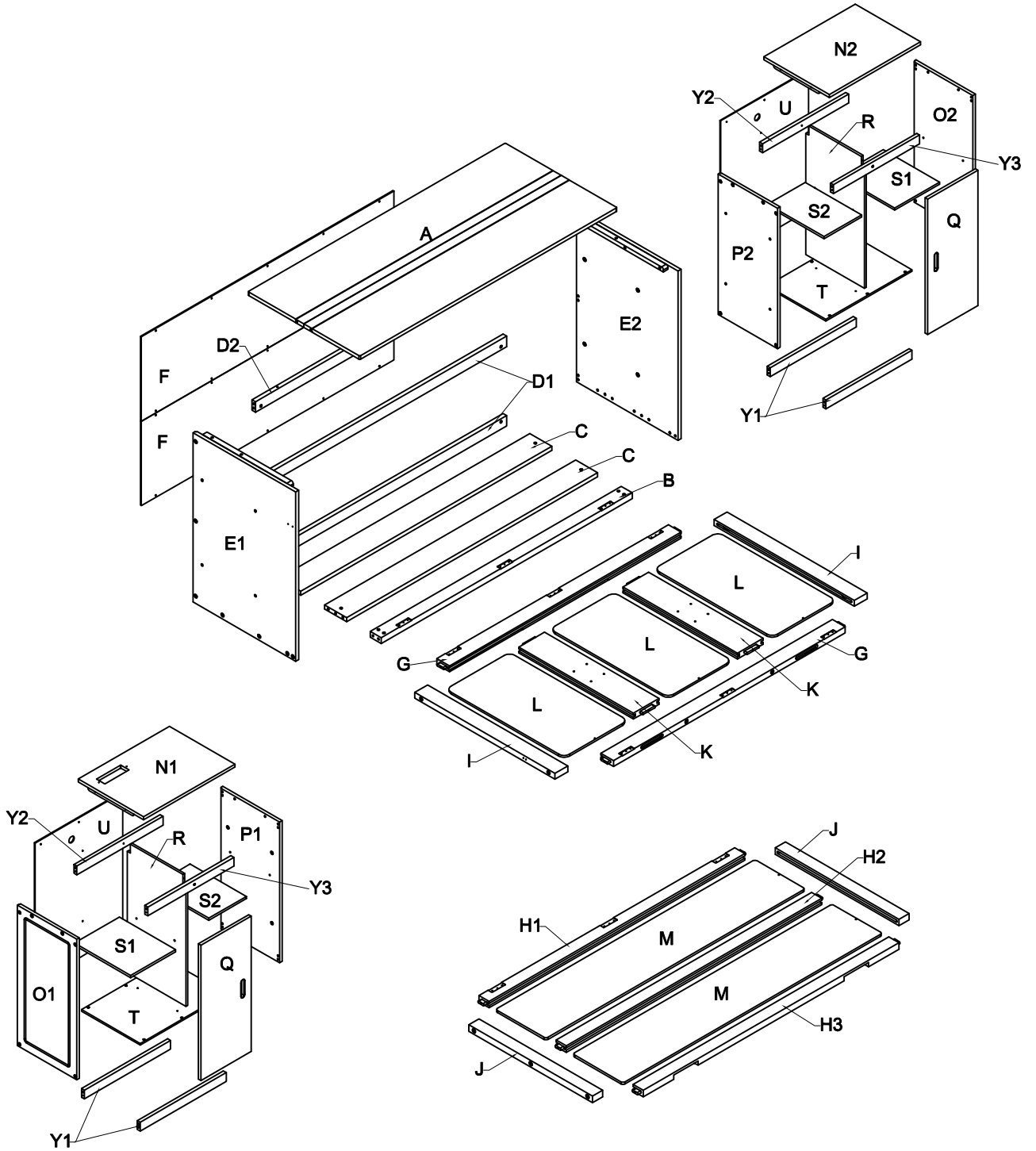


ASSEMBLY INSTRUCTIONS

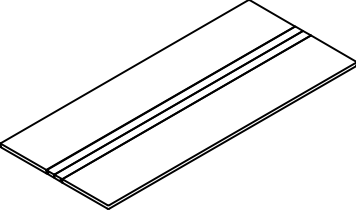
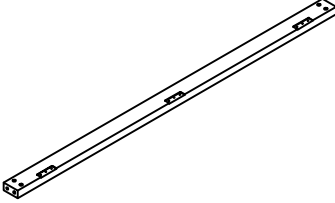
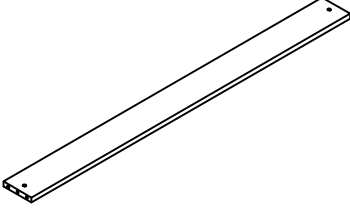
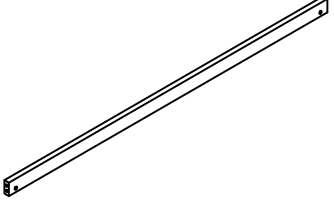
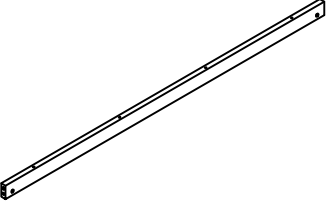
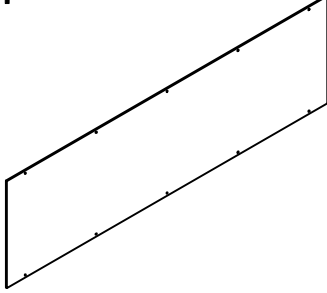
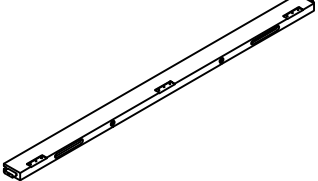
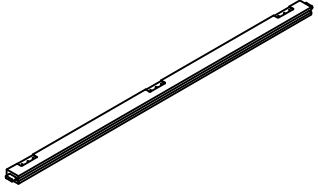
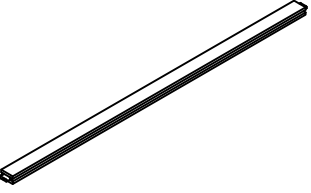
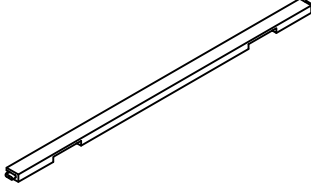
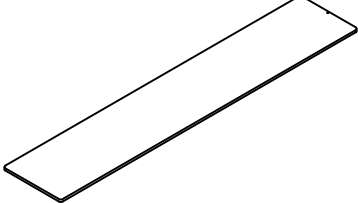
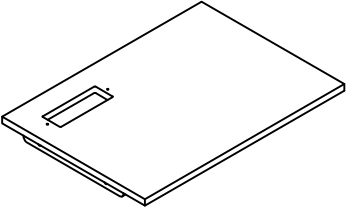
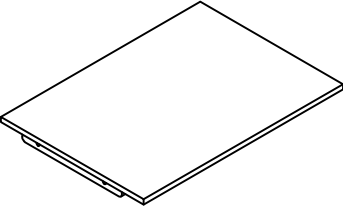
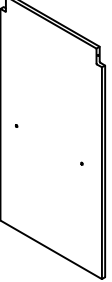
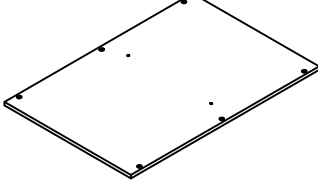
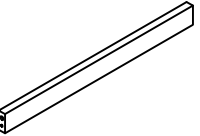
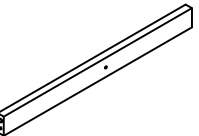
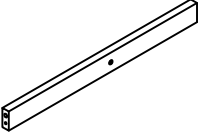
ITEM CODE: WF321633-WF321634



DETAIL VIEW

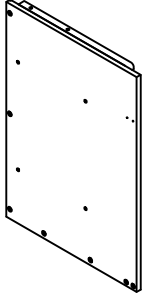


BOX 1: WF321633

<p>A</p>  <p>Top panel (1pc)</p>	<p>B</p>  <p>Bottom panel (1pc)</p>	<p>C</p>  <p>Bottom panel (2pcs)</p>	<p>D1</p>  <p>Back rail (2pcs)</p>
<p>D2</p>  <p>Back rail (1pc)</p>	<p>F</p>  <p>Back panel (2pcs)</p>	<p>G</p>  <p>Horizontal rail (2pcs)</p>	<p>H1</p>  <p>Horizontal rail (1pc)</p>
<p>H2</p>  <p>Horizontal rail (1pc)</p>	<p>H3</p>  <p>Horizontal rail (1pc)</p>	<p>M</p>  <p>Front panel (2pcs)</p>	<p>N1</p>  <p>Cabinet face - left (1pc)</p>
<p>N2</p>  <p>Cabinet face - right (1pc)</p>	<p>R</p>  <p>Middle partition (2pcs)</p>	<p>T</p>  <p>Bottom floor (2pcs)</p>	<p>Y1</p>  <p>Support bottom (4pcs)</p>
<p>Y2</p>  <p>Cabinet roof support (2pcs)</p>	<p>Y3</p>  <p>Cabinet roof support (2pcs)</p>		

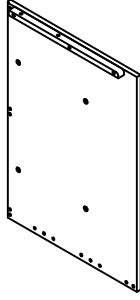
BOX 2: WF321634

E1



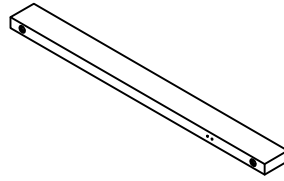
Side frame - left (1pc)

E2



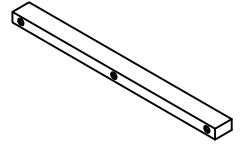
Side frame - right (1pc)

I



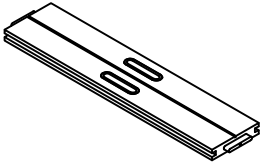
Vertical side rail (2pcs)

J



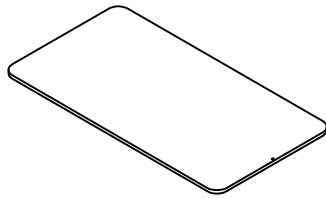
Vertical side rail (2pcs)

K



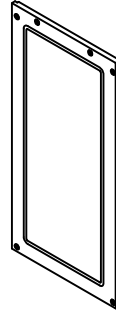
Vertical bar (2pcs)

L



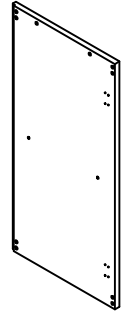
Front panel (3pcs)

O1



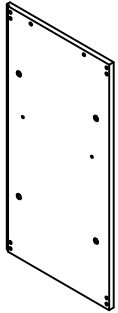
Side frame - left (1pc)

O2



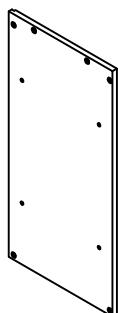
Side frame - right (1pc)

P1



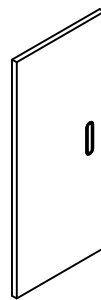
Side frame - right (1pc)

P2



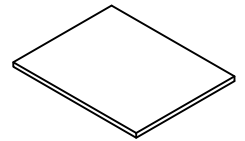
Side frame - left (1pc)

Q



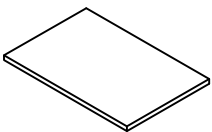
Door (2pcs)

S1



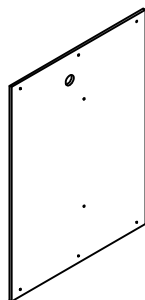
Cabinet shelves (2pcs)

S2



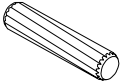
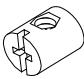

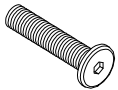


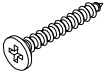
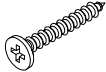
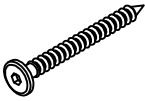


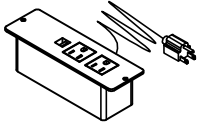


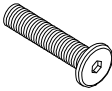
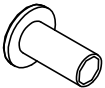
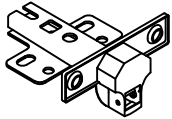

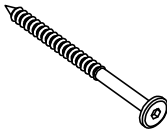
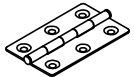
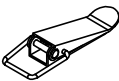

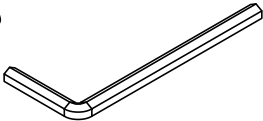
Cabinet shelves (2pcs)

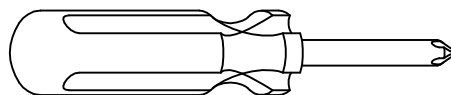
U



Back panel (2pcs)

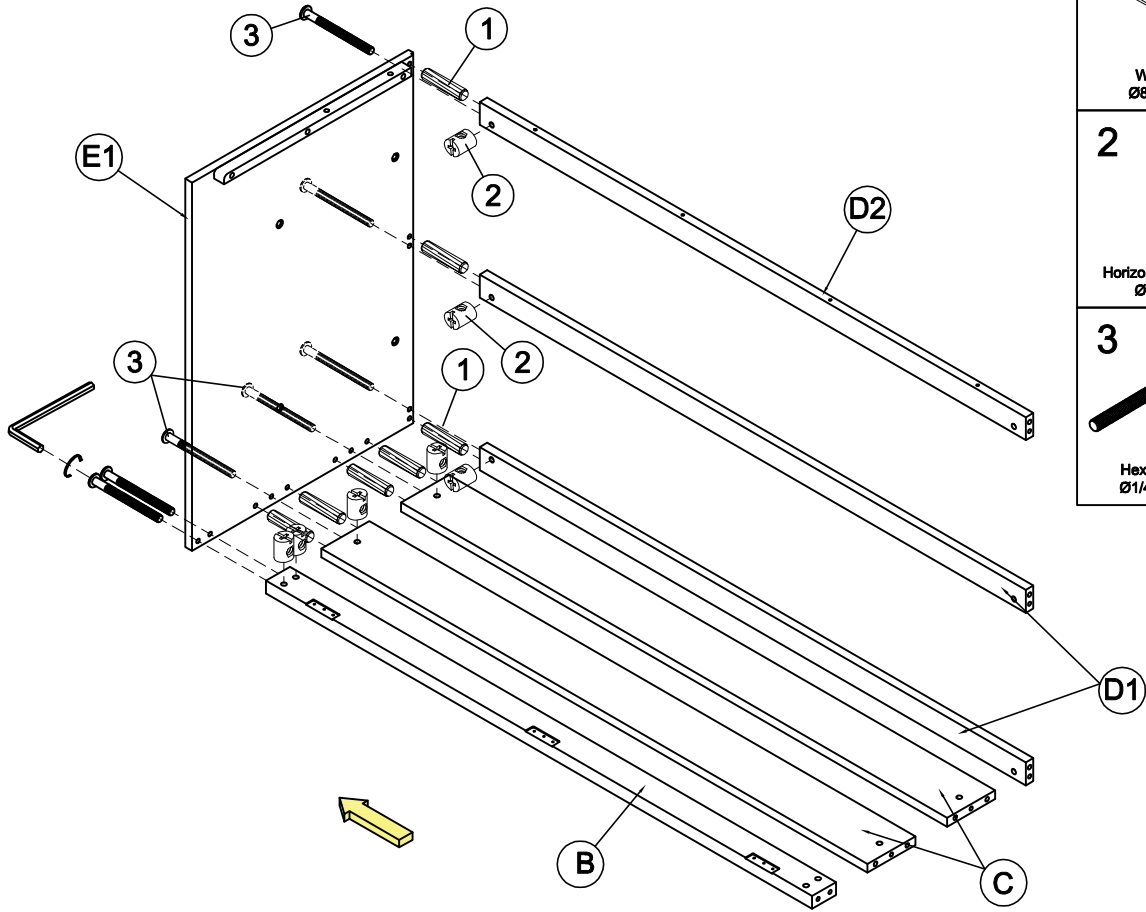
HARDWARE LIST: WF321634

<p>1</p>  <p>Wood dowel Ø8 * 30 - 30pcs</p>	<p>2</p>  <p>Horizontal - Hold bolts Ø1/4" - 14pcs</p>	<p>3</p>  <p>Hex - Head bolts Ø1/4" * 60 - 14pcs</p>	<p>4</p>  <p>Hex - Head bolts Ø1/4" * 30 - 12pcs</p>
<p>5</p>  <p>Wood crews M4 * 45 - 4pcs</p>	<p>6</p>  <p>Round wood crews M3.5 * 15 - 20pcs</p>	<p>7</p>  <p>Wood crews M4 * 25 - 16pcs</p>	<p>8</p>  <p>Wood crews M4 * 35 - 4pcs</p>
<p>9</p>  <p>Hexagonal bolts catch wood Ø1/4" * 50 - 16pcs</p>	<p>10</p>  <p>Round wood crews M3.5 * 20 - 16pcs</p>	<p>11</p>  <p>Wood crews M3.5 * 15 - 70pcs</p>	<p>12</p>  <p>Power outlet - 1pc</p>
<p>13</p>  <p>L-Shaped Supports - 16pcs</p>	<p>14</p>  <p>Wood crews M3.5 * 12 - 16pcs</p>	<p>15</p>  <p>Hex - Head bolts Ø1/4" * 25 - 8pcs</p>	<p>16</p>  <p>Canopy head though Ø1/4" - 8pcs</p>
<p>17</p>  <p>Full Overlay - 4pcs</p>	<p>18</p>  <p>Hexagonal bolts catch wood Ø1/4" * 90 - 8pcs</p>	<p>19</p>  <p>Hexagonal bolts catch wood Ø1/4" * 70 - 6pcs</p>	<p>20</p>  <p>Hinge - 6pcs</p>
<p>21</p>  <p>Duckbill lock A - 2pcs</p>	<p>22</p>  <p>Duckbill lock B - 2pcs</p>	<p>23</p>  <p>Allen key K4 - 2pcs</p>	



Assembly Tools Required (Not Included)

STEP 1



1



Wood dowel
Ø8 * 30 - 7pcs

2



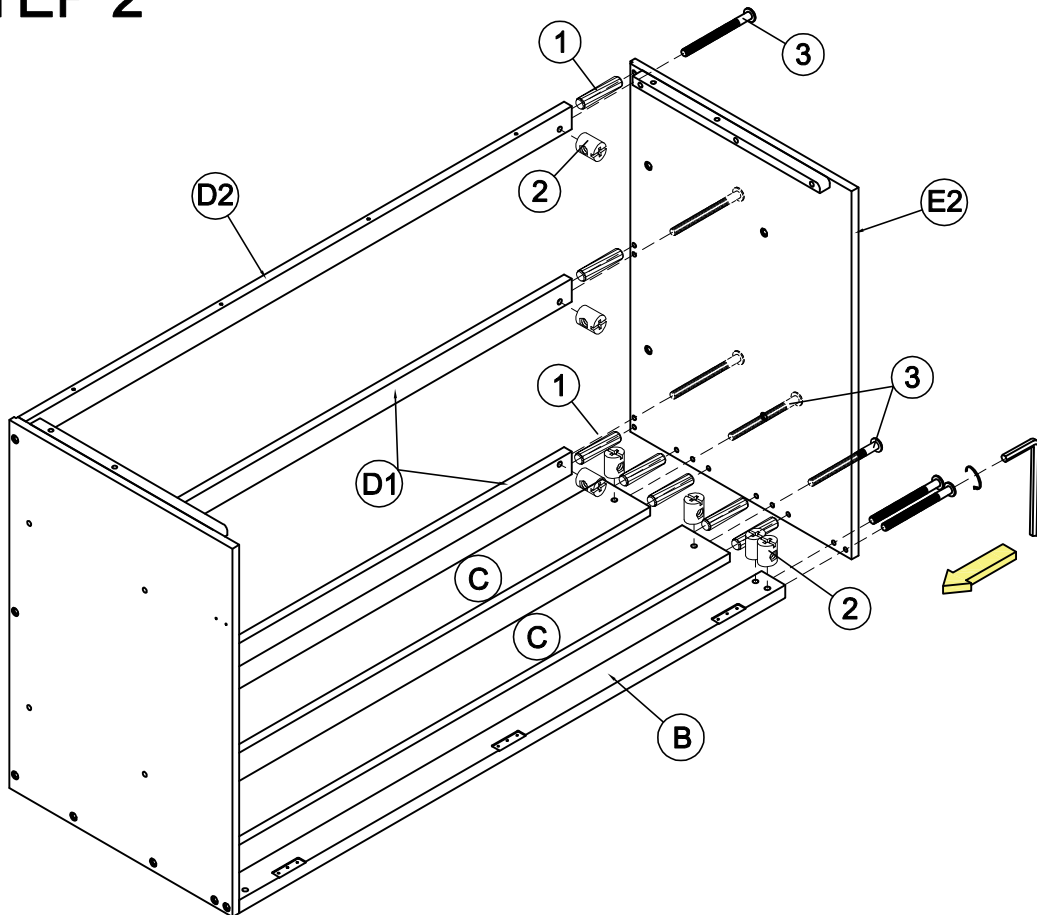
Horizontal - Hold bolts
Ø1/4" - 7pcs

3



Hex - Head bolts
Ø1/4" * 60 - 7pcs

STEP 2



1



Wood dowel
Ø8 * 30 - 7pcs

2



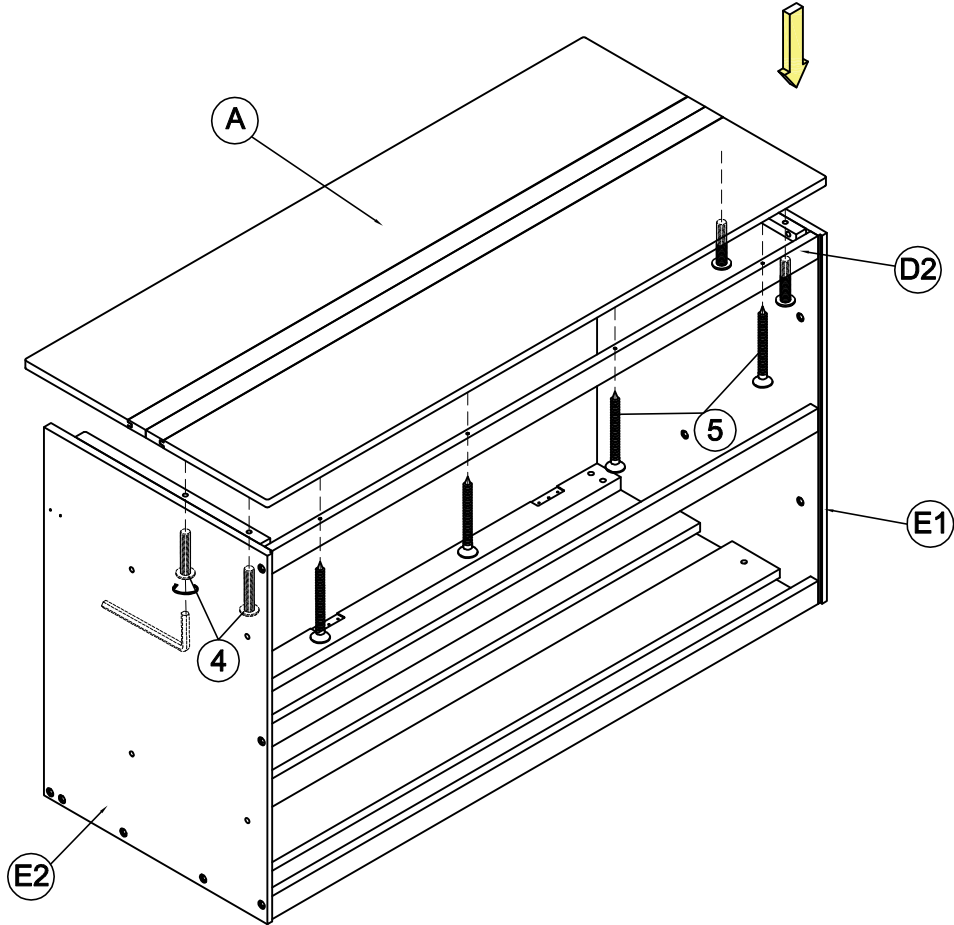
Horizontal - Hold bolts
Ø1/4" - 7pcs

3



Hex - Head bolts
Ø1/4" * 60 - 7pcs

STEP 3



4



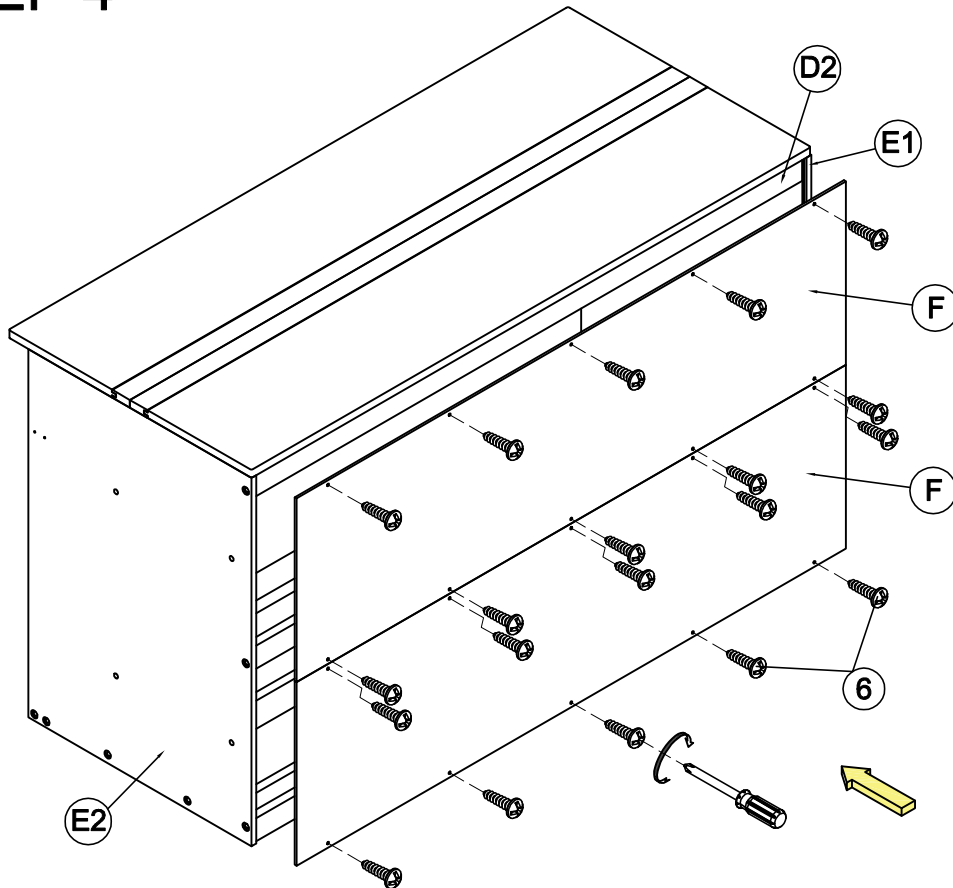
Hex - Head bolts
Ø1/4" * 30 - 4pcs

5



Wood crews
M4 * 45 - 4pcs

STEP 4



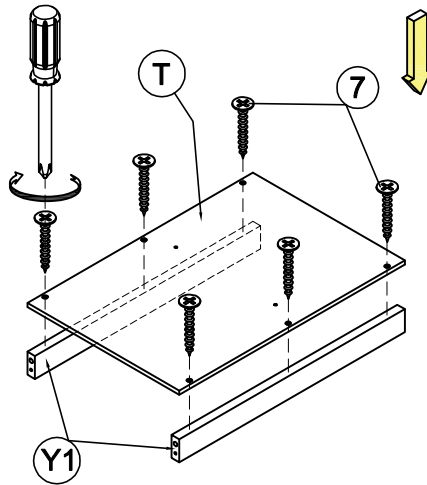
6



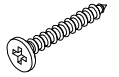
Round wood crews
M3.5 * 15 - 20pcs

STEP 5

X2



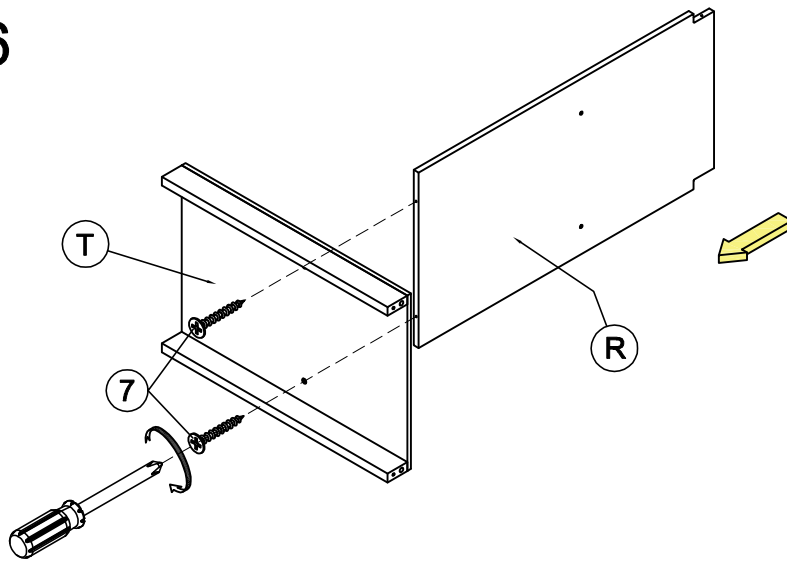
7



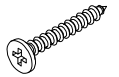
Wood crews
M4 * 25 - 12pcs

STEP 6

X2



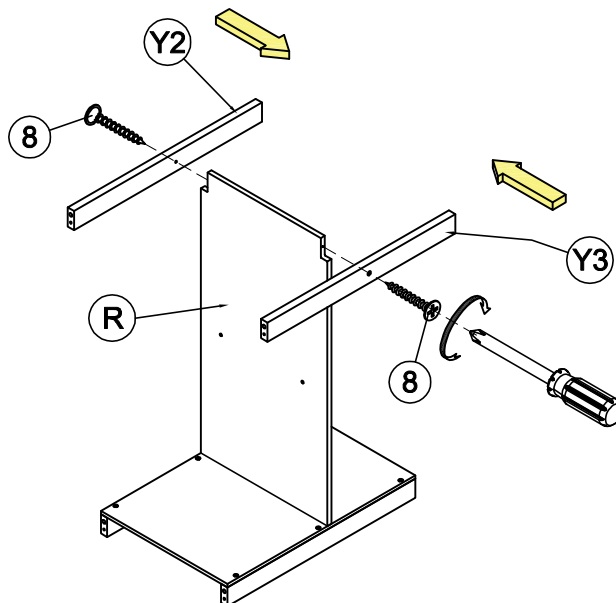
7



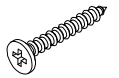
Wood crews
M4 * 25 - 4pcs

STEP 7

X2

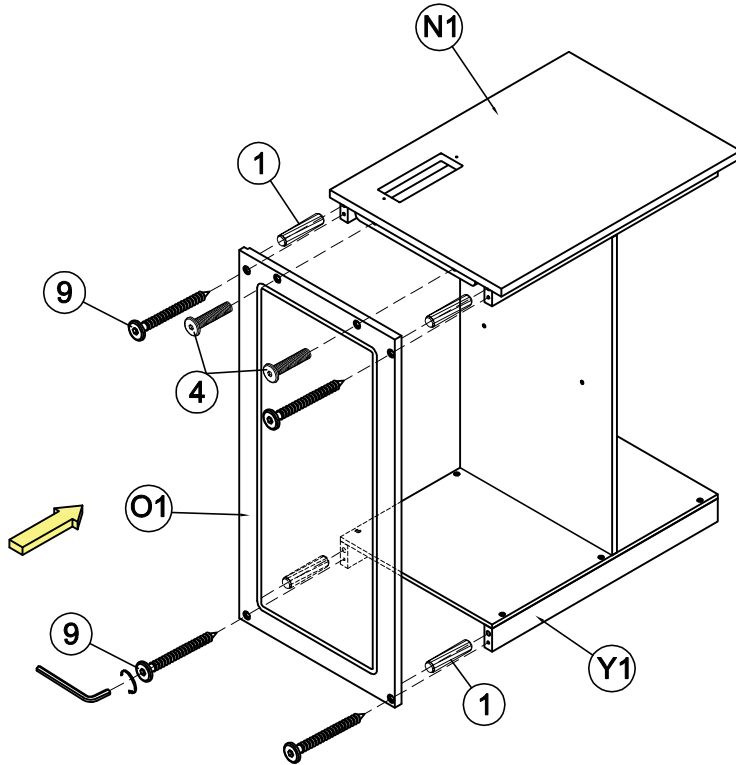


8



Wood crews
M4 * 35 - 4pcs

STEP 8



1



Wood dowel
Ø8 * 30 - 4pcs

4



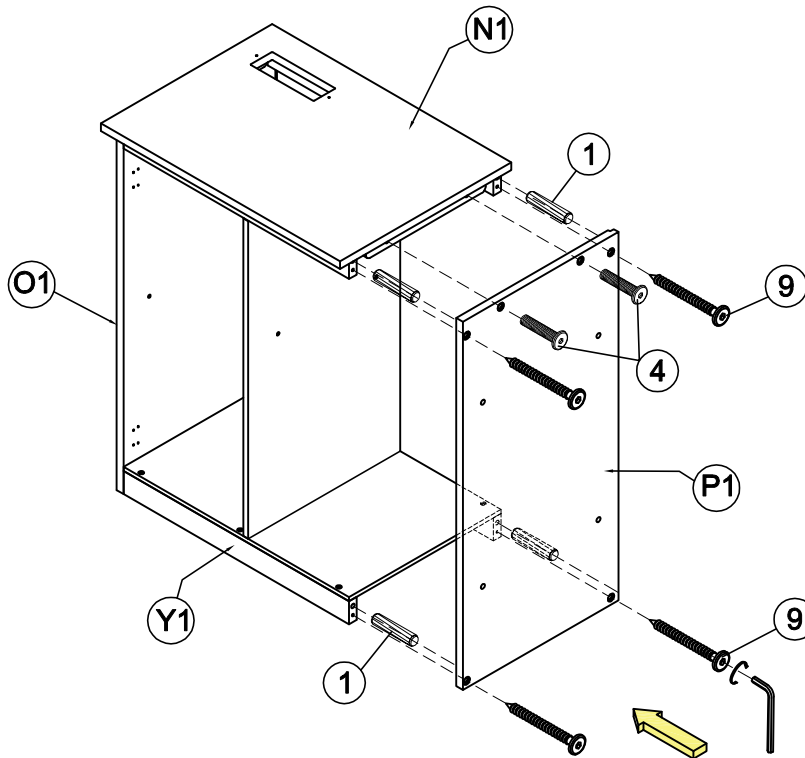
Hex - Head bolts
Ø1/4" * 30 - 2pcs

9



Hexagonal bolts catch wood
Ø1/4" * 50 - 4pcs

STEP 9



1



Wood dowel
Ø8 * 30 - 4pcs

4



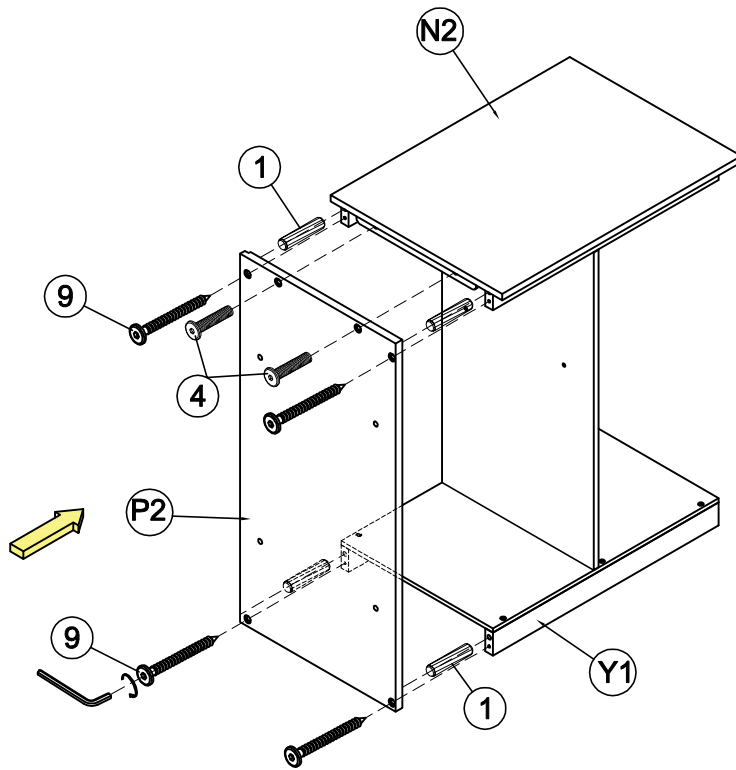
Hex - Head bolts
Ø1/4" * 30 - 2pcs

9



Hexagonal bolts catch wood
Ø1/4" * 50 - 4pcs

STEP 10



1



Wood dowel
Ø8 * 30 - 4pcs

4



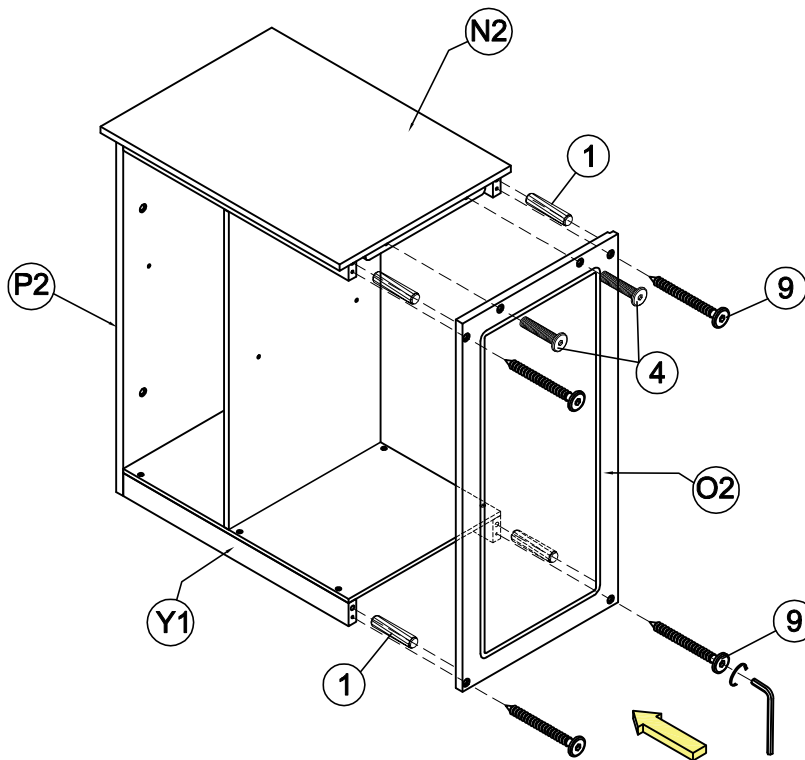
Hex - Head bolts
Ø1/4" * 30 - 2pcs

9



Hexagonal bolts catch wood
Ø1/4" * 50 - 4pcs

STEP 11



1



Wood dowel
Ø8 * 30 - 4pcs

4



Hex - Head bolts
Ø1/4" * 30 - 2pcs

9



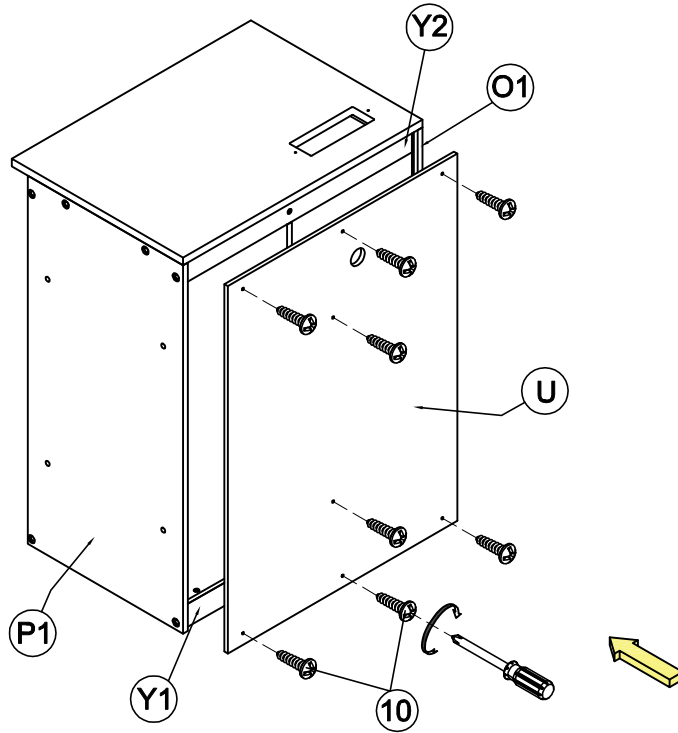
Hexagonal bolts catch wood
Ø1/4" * 50 - 4pcs

STEP 12

10



Round wood crews
M3.5 * 20 - 8pcs

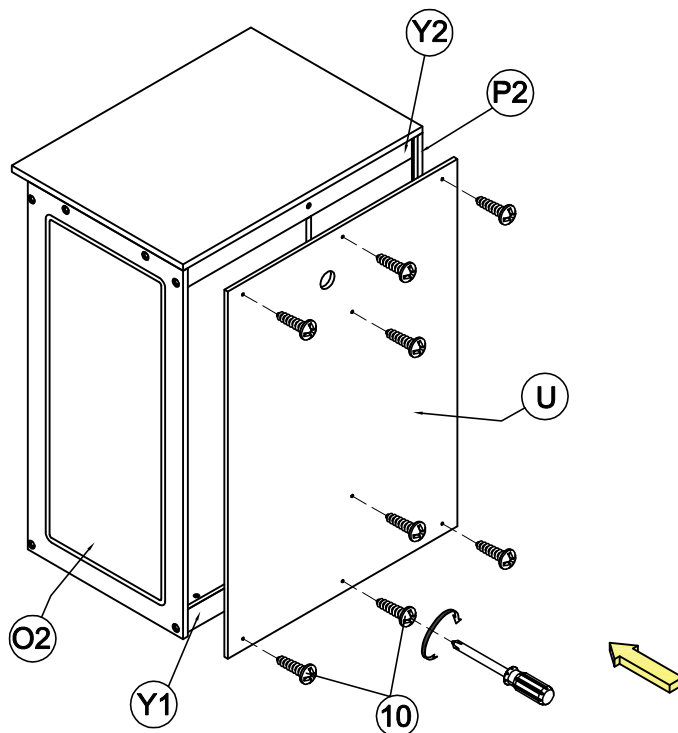


STEP 13

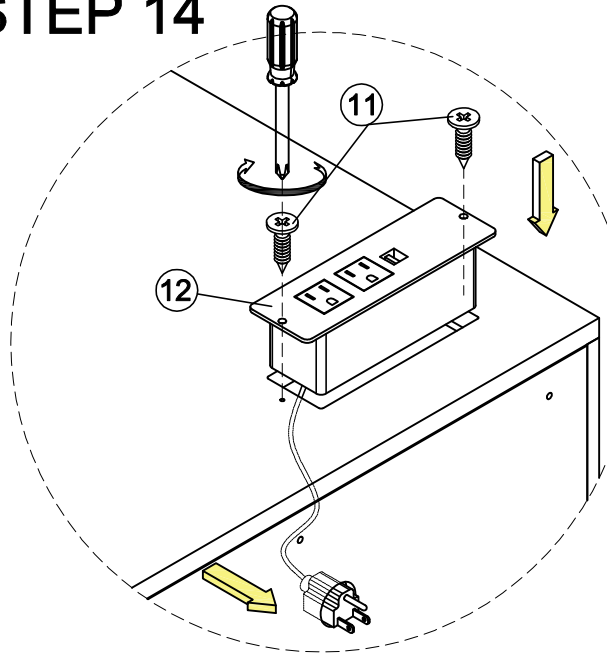
10



Round wood crews
M3.5 * 20 - 8pcs



STEP 14

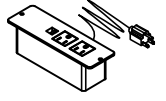


11

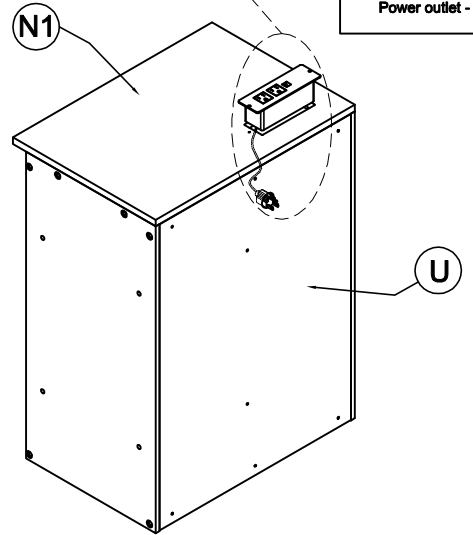


Wood crews
M3.5 * 15 - 2pcs

12



Power outlet - 1pc

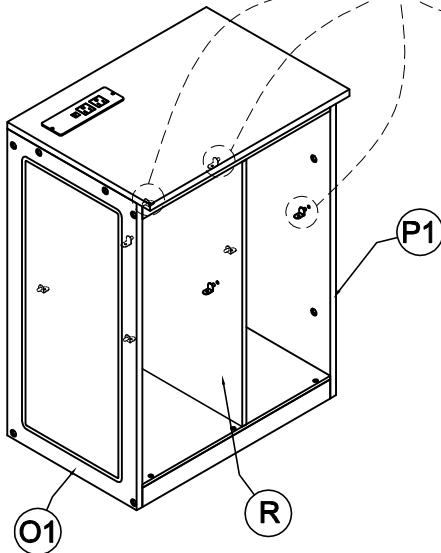
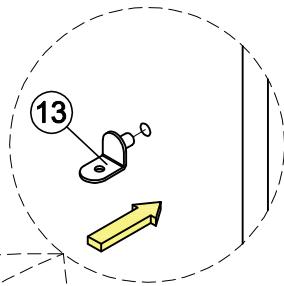


STEP 15

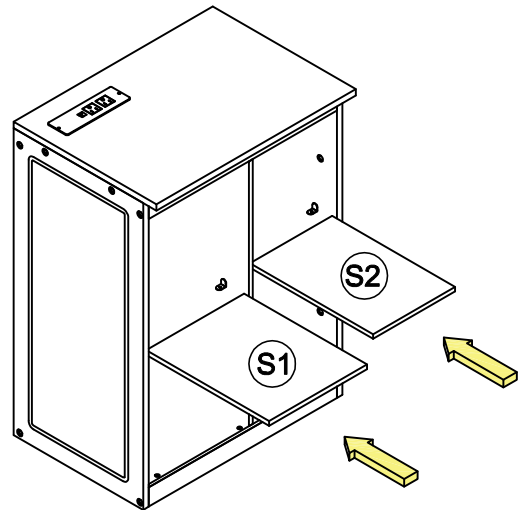
13



L-Shaped Supports - 8pcs



STEP 16

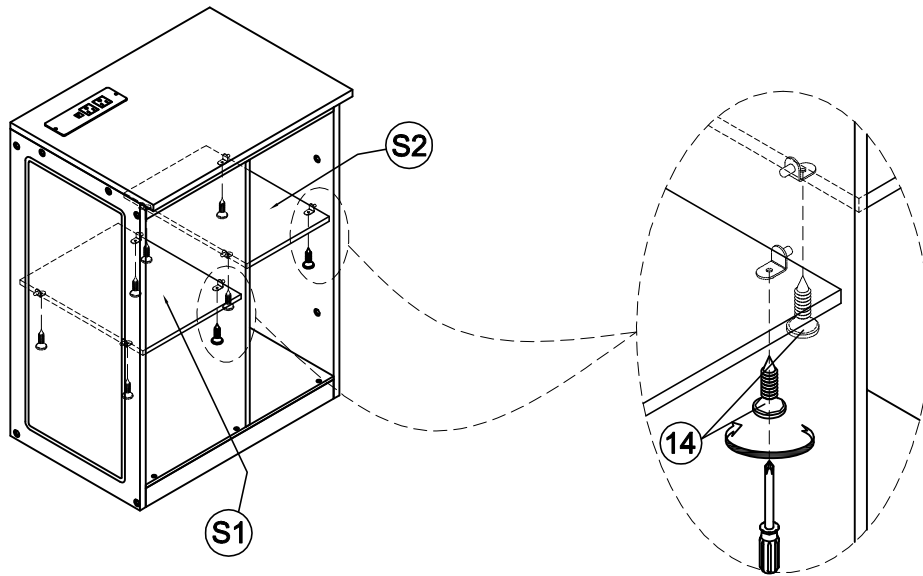


STEP 17

14



Wood screws
M3.5 * 12 - 8pcs

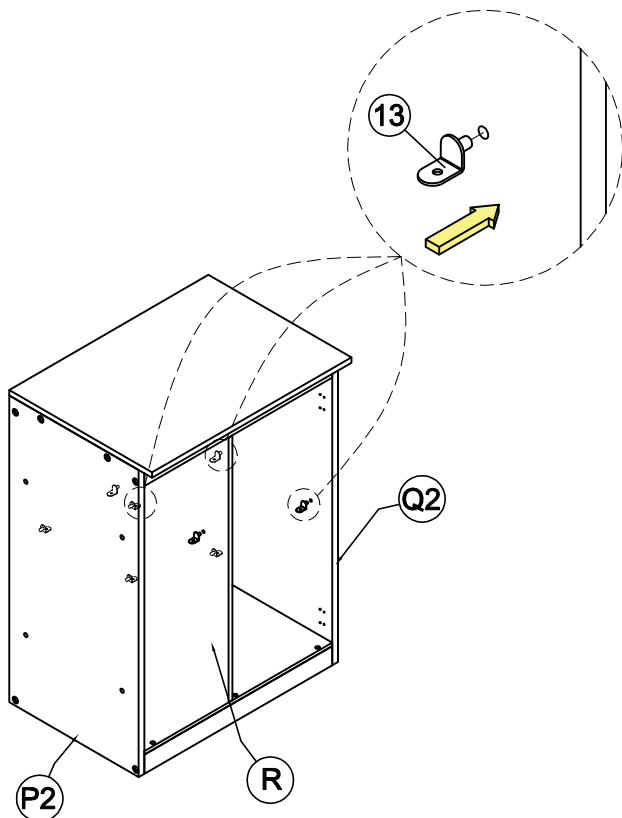


STEP 18

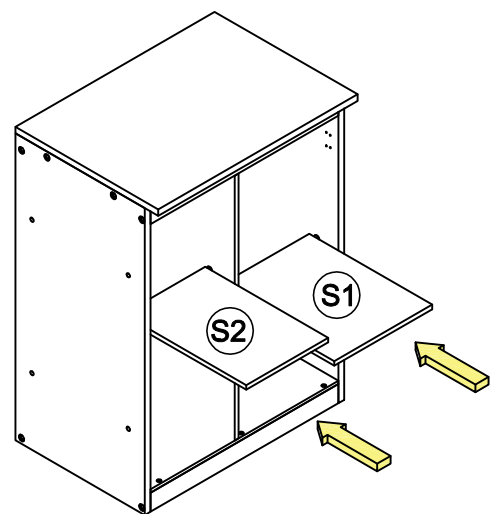
13



L-Shaped Supports - 8pcs



STEP 19

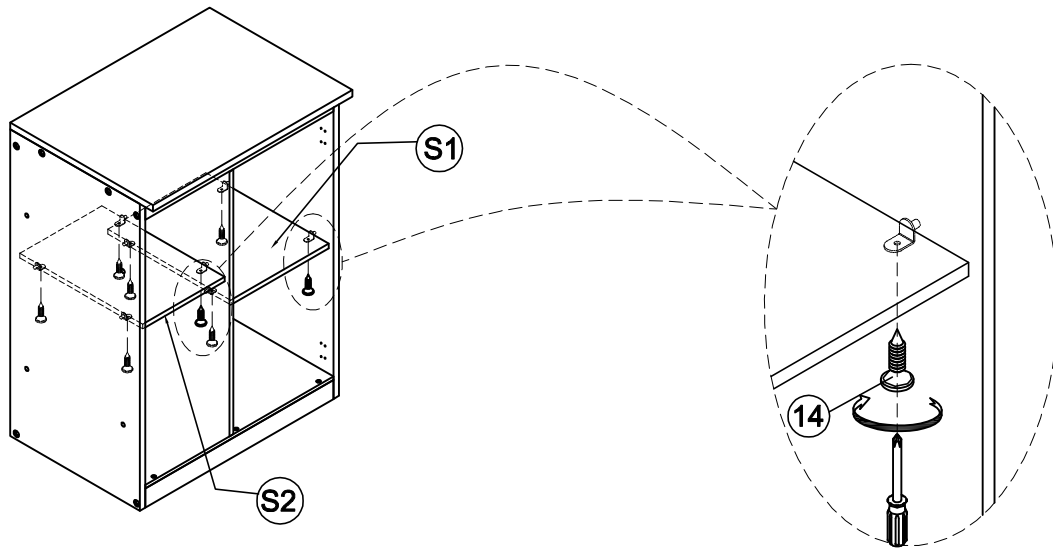


STEP 20

14



Wood crews
M3.5 * 12 - 8pcs



STEP 21

15

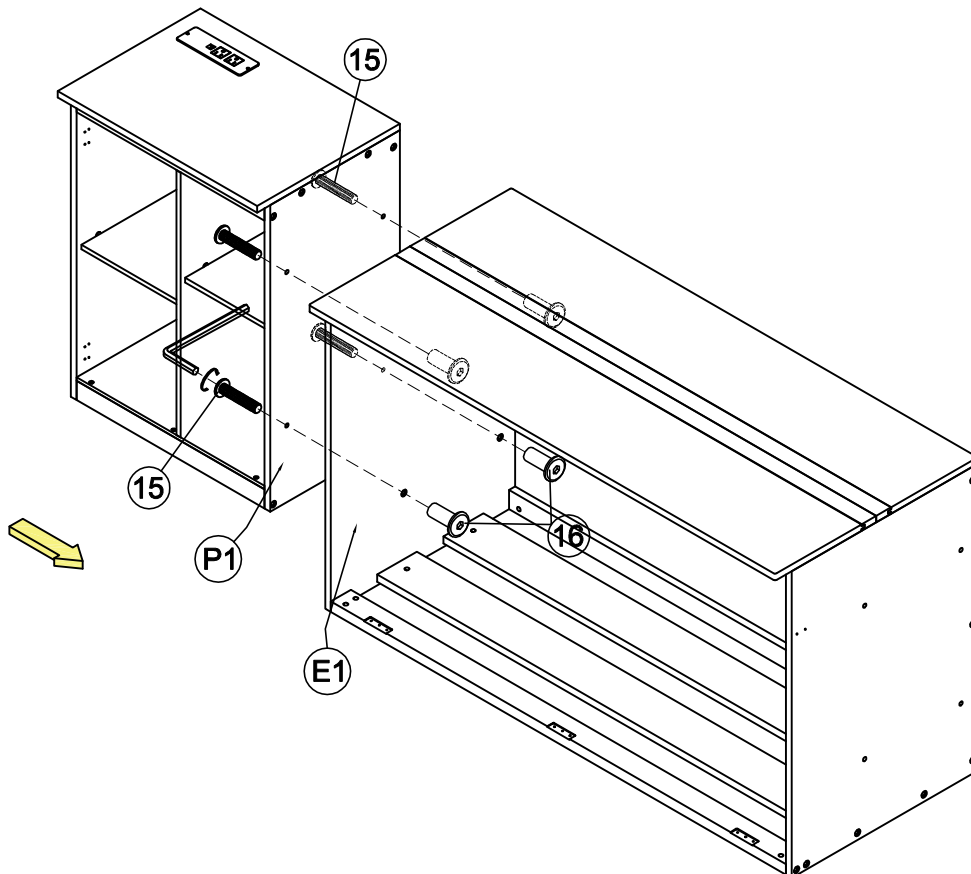


Hex - Head bolts
Ø1/4" * 25 - 4pcs

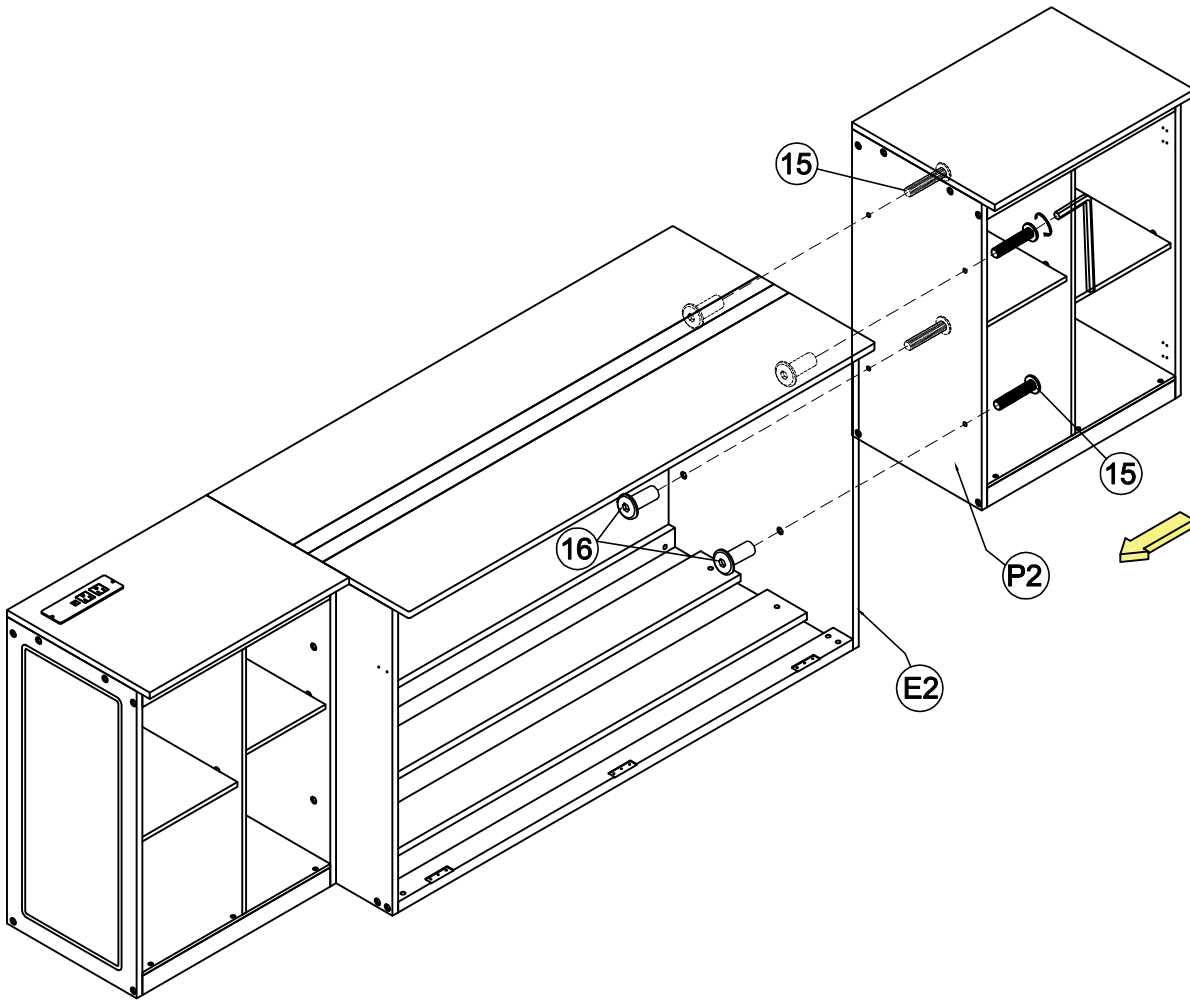
16



Canopy head though
Ø1/4" - 4pcs



STEP 22



15



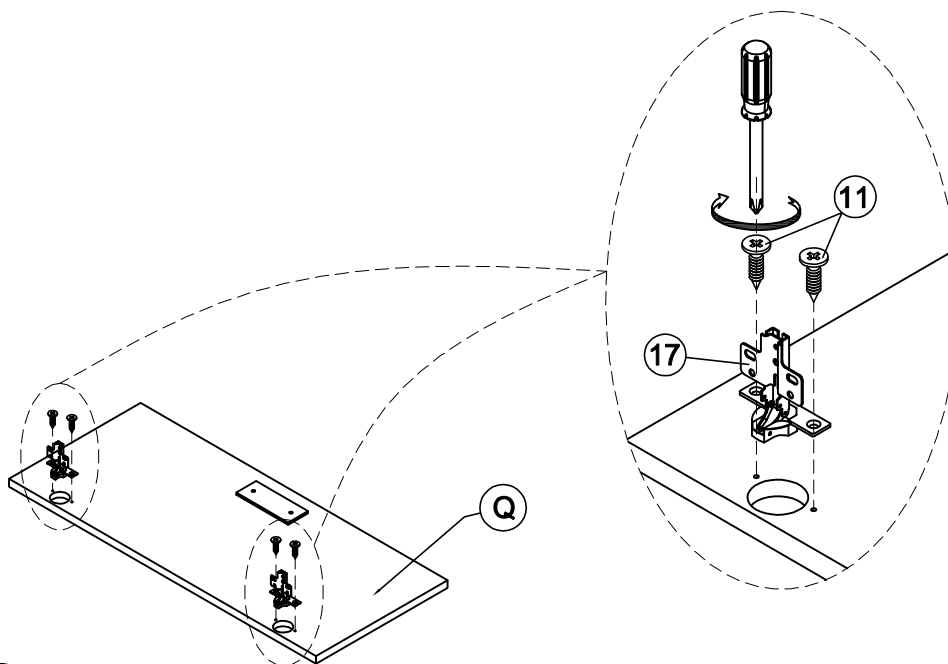
Hex - Head bolts
Ø1/4" * 25 - 4pcs

16



Canopy head though
Ø1/4" - 4pcs

STEP 23

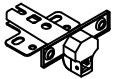


11



Wood crews
M3.5 * 15 - 8pcs

17



Full Overlay - 4pcs

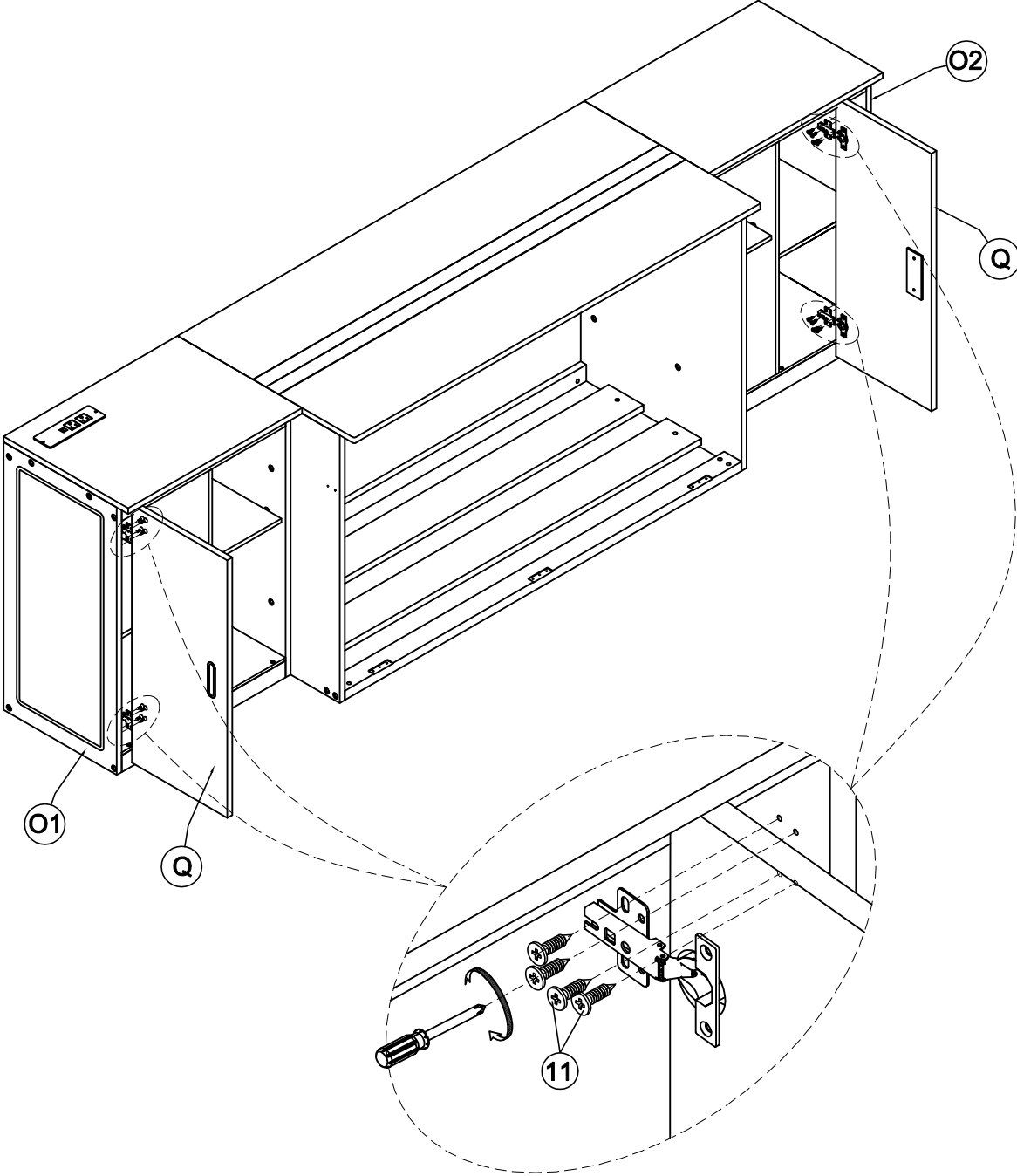
X2

STEP 24

11

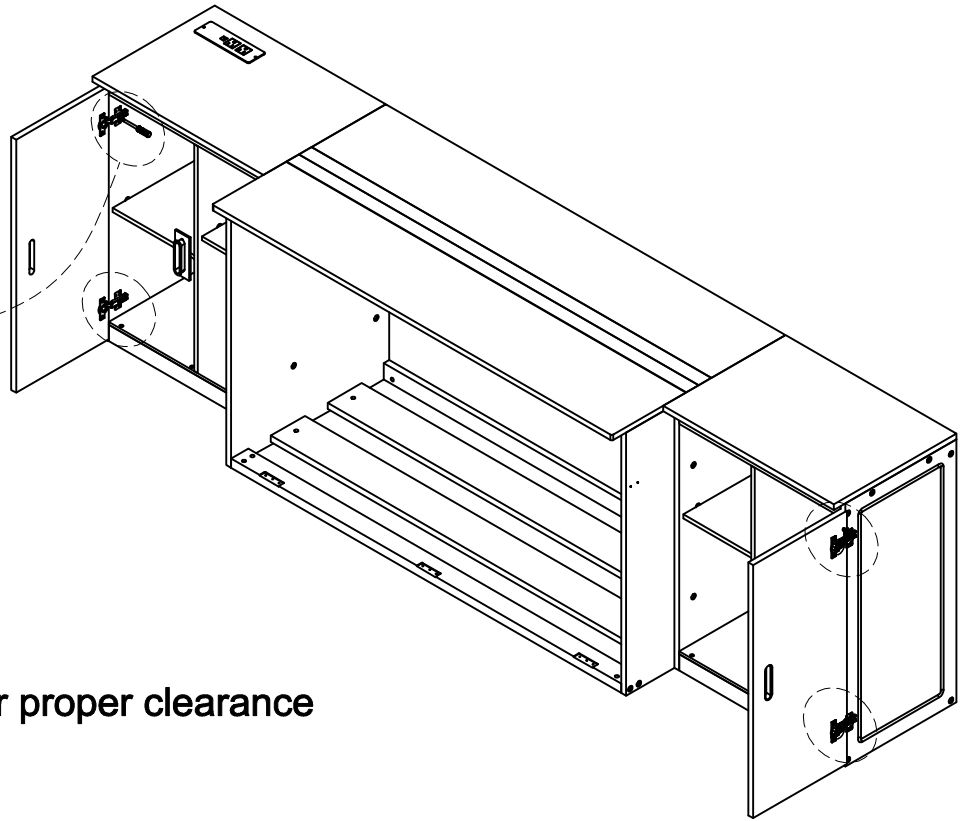
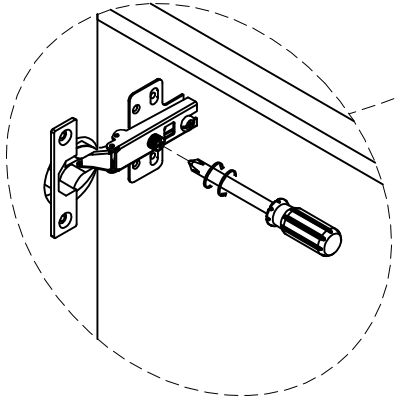


Wood crews
M3.5 * 15 - 16pcs



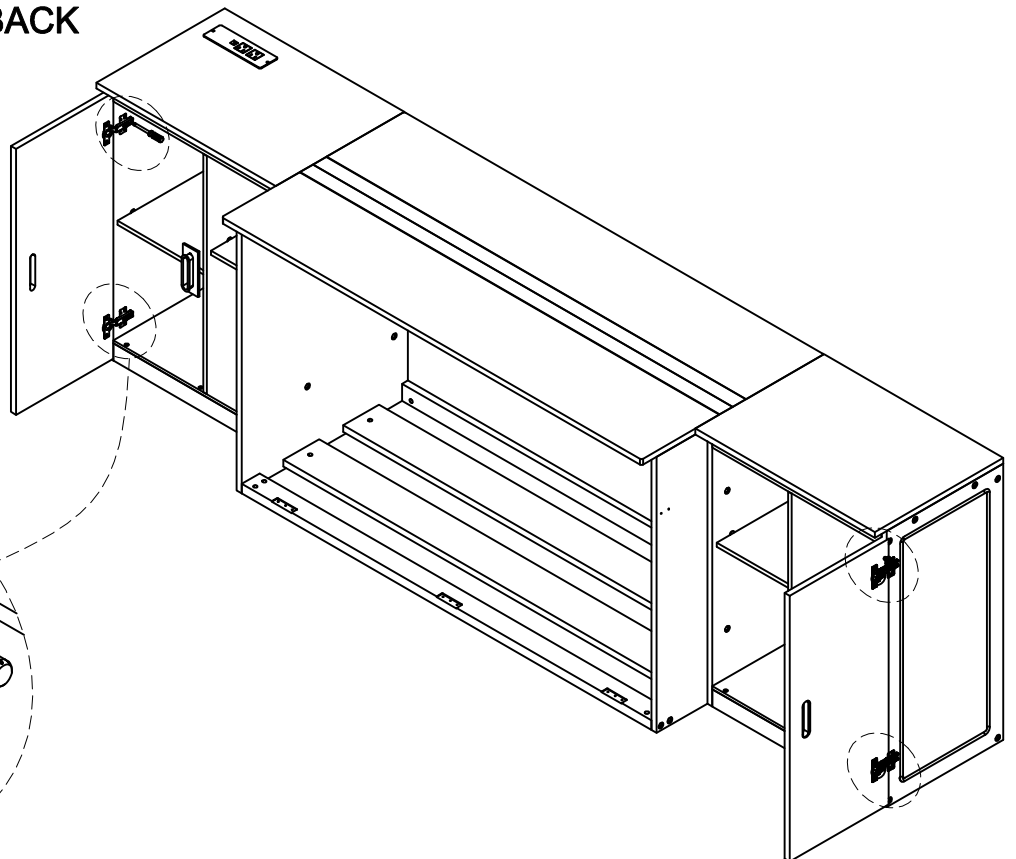
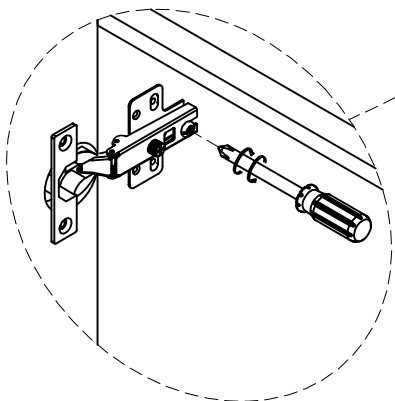
STEP 25

LEFT ↔ RIGHT



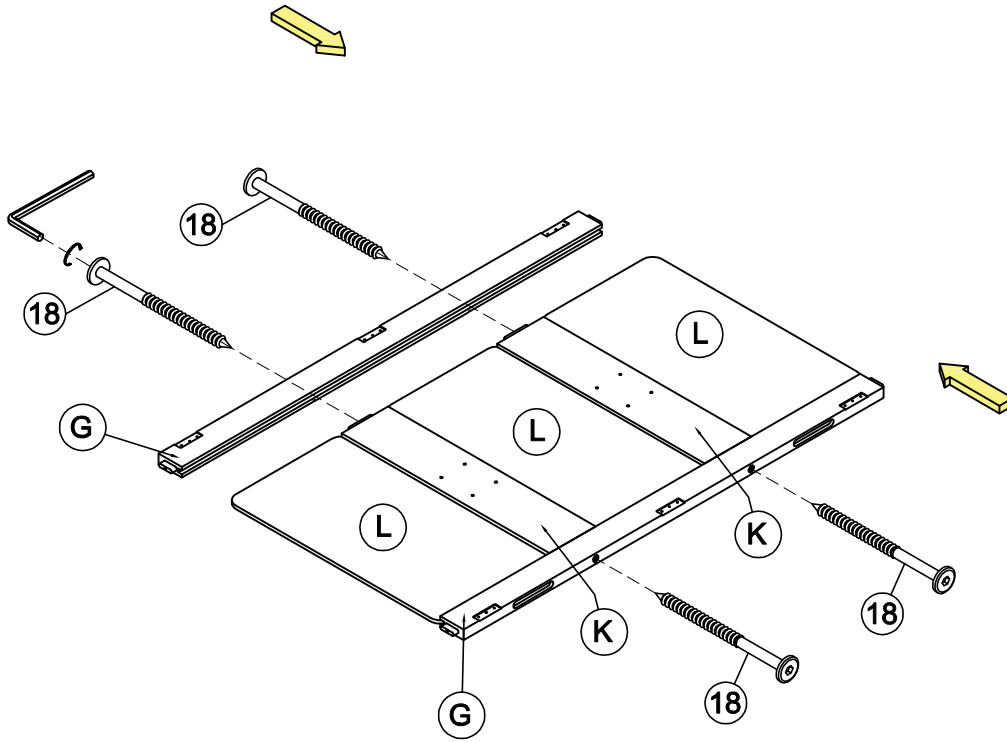
Adjust the hinges for proper clearance

FRONT ↔ BACK



Adjust the hinges for proper clearance

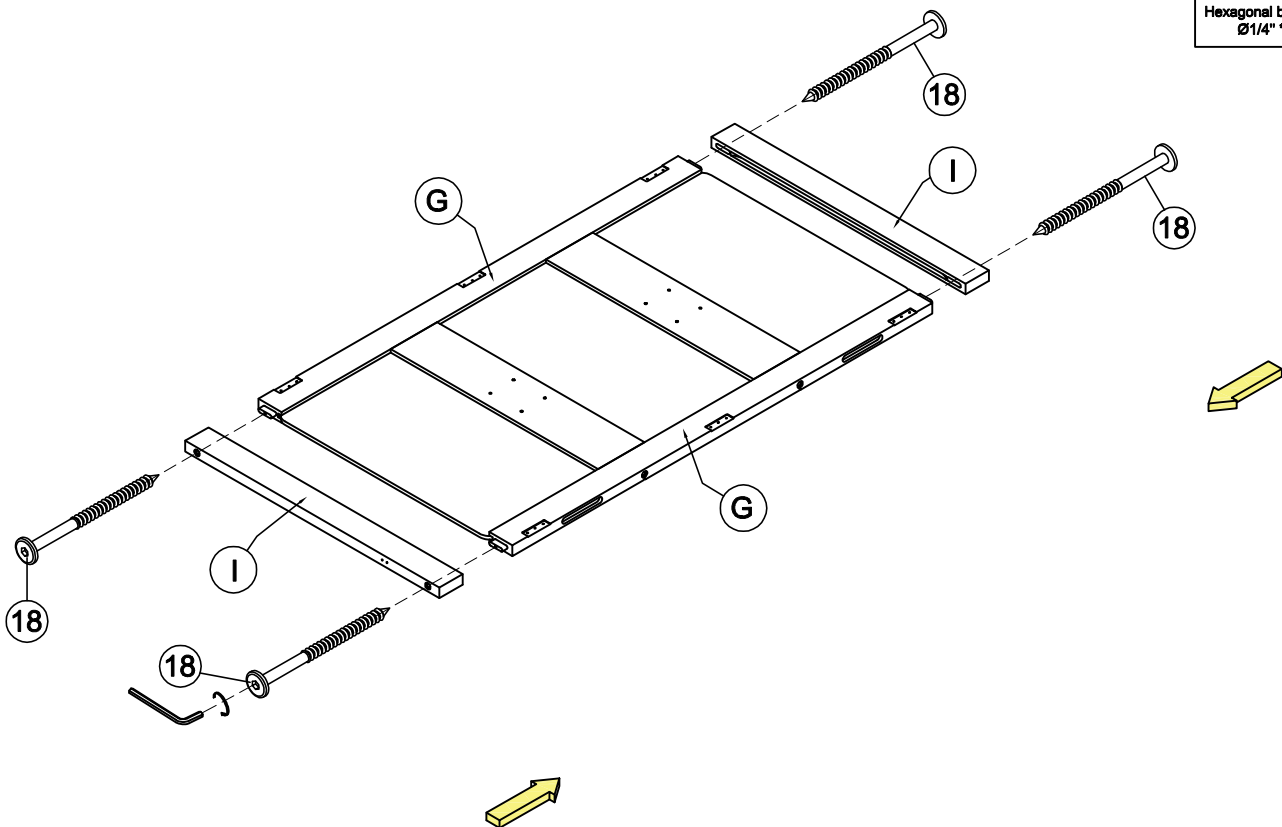
STEP 26



18

Hexagonal bolts catch wood
Ø1/4" * 90 - 4pcs

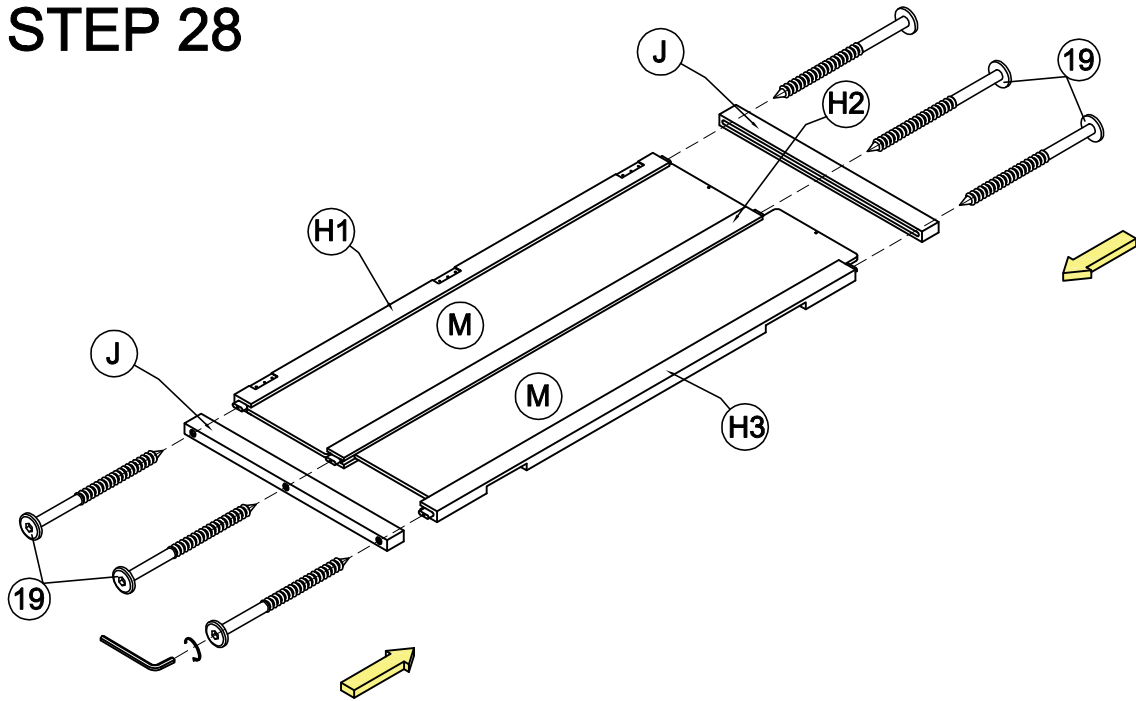
STEP 27



18

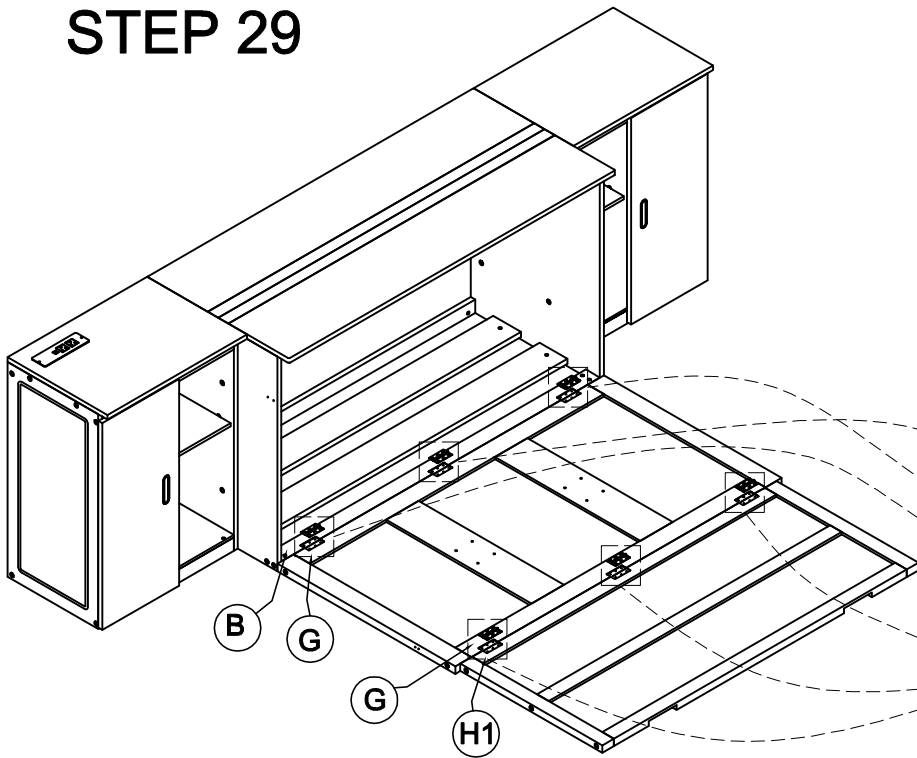
Hexagonal bolts catch wood
Ø1/4" * 90 - 4pcs

STEP 28



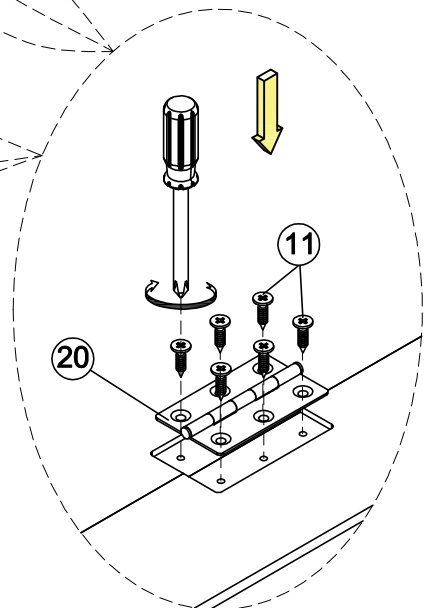
19
Hexagonal bolts catch wood
Ø1/4" * 70 - 6pcs

STEP 29



20
Hinge - 6pcs

11
Wood crews
M3.5 * 15 - 36pcs



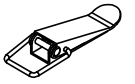
STEP 30

11



Wood crews
M3.5 * 15 - 8pcs

21

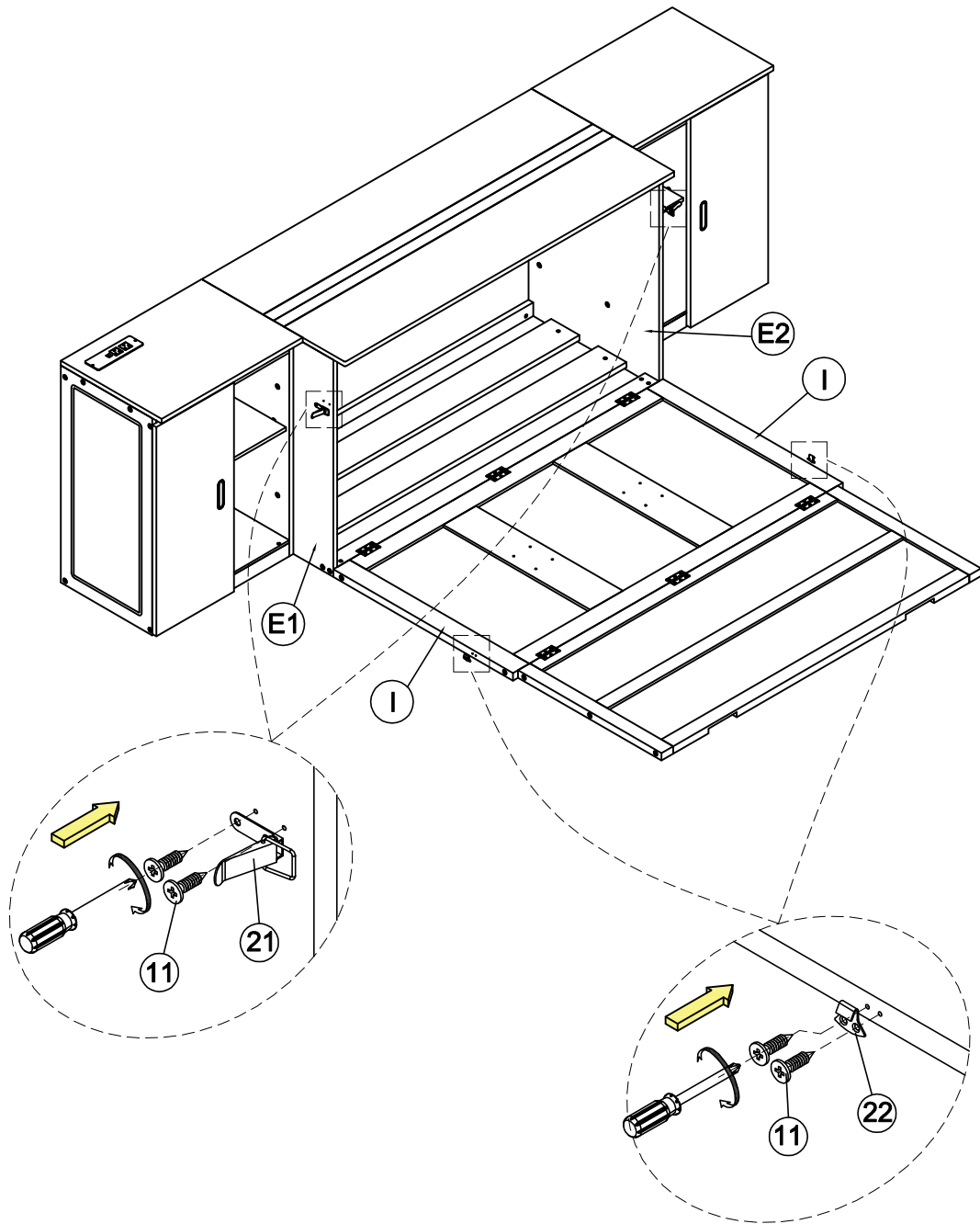


Duckbill lock A - 2pcs

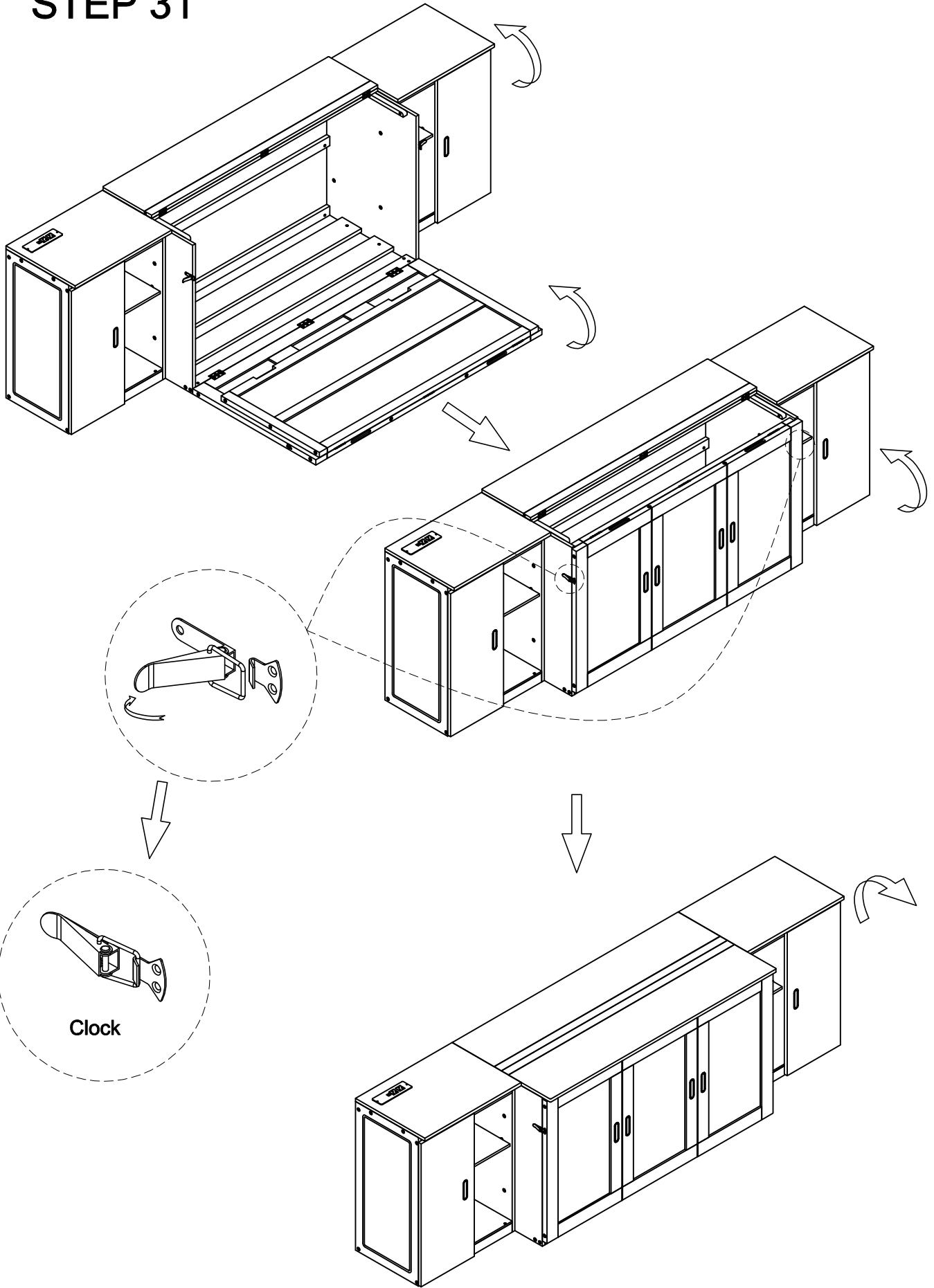
22



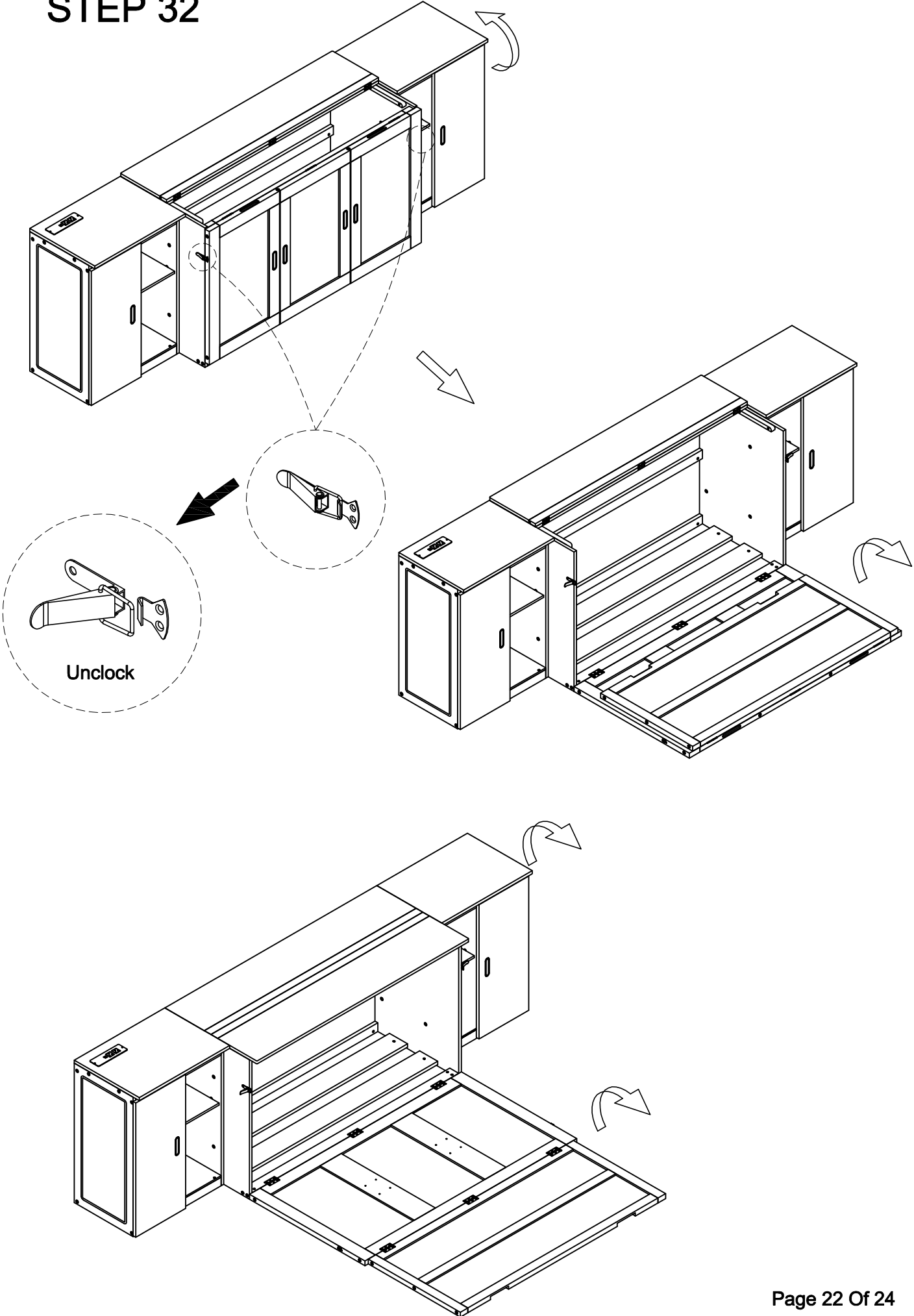
Duckbill lock B - 2pcs



STEP 31

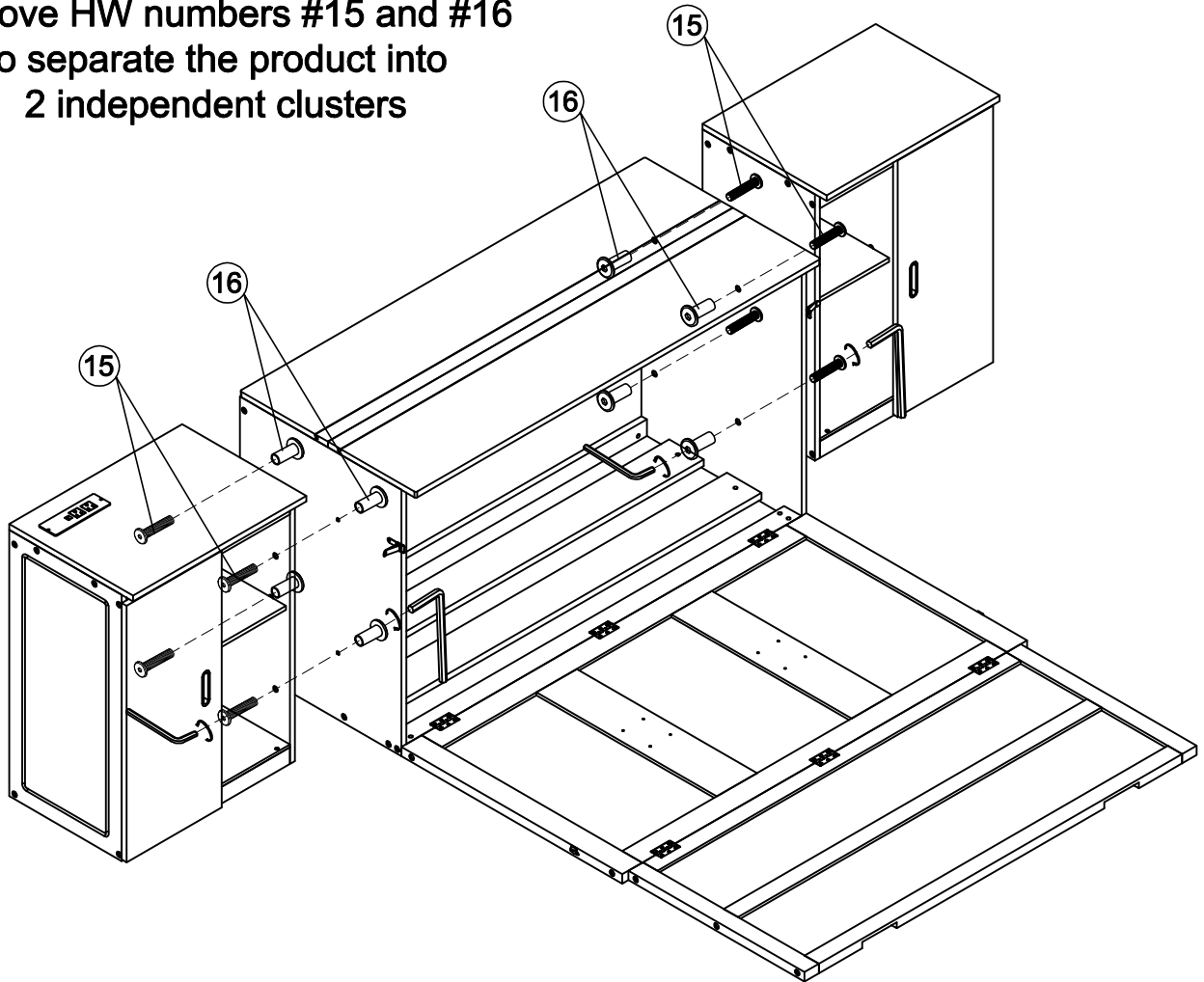


STEP 32

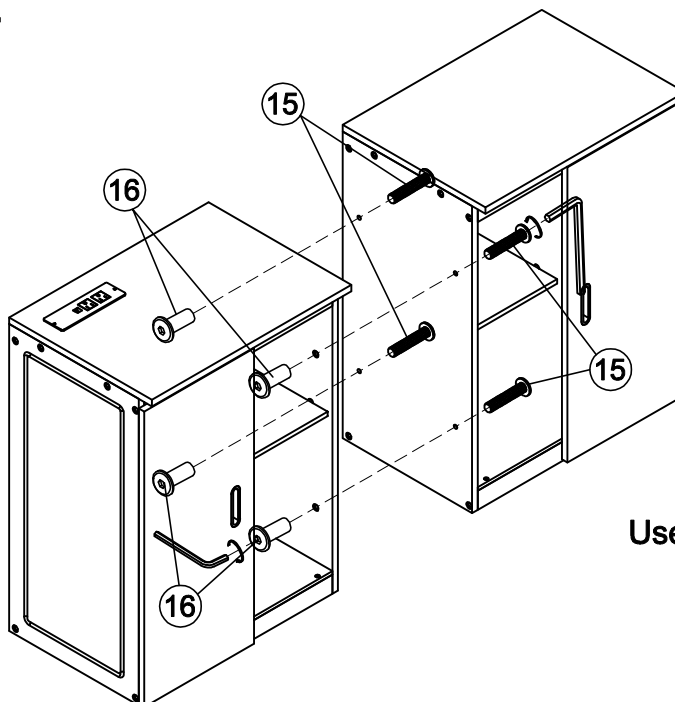


STEP 33

Remove HW numbers #15 and #16 to separate the product into 2 independent clusters



STEP 34



15



Hex - Head bolts
Ø1/4" * 25 - 4pcs

16

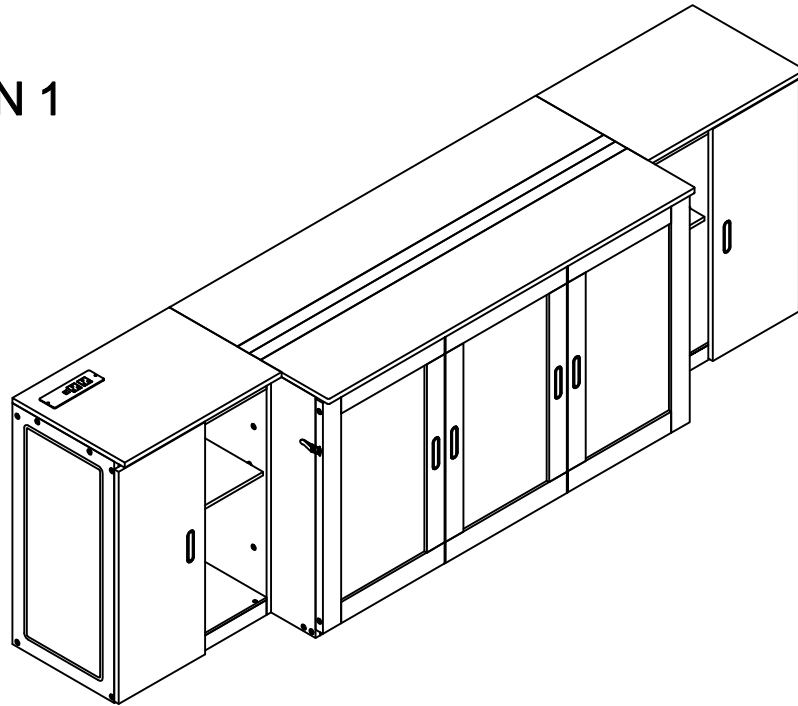


Canopy head through
Ø1/4" - 4pcs

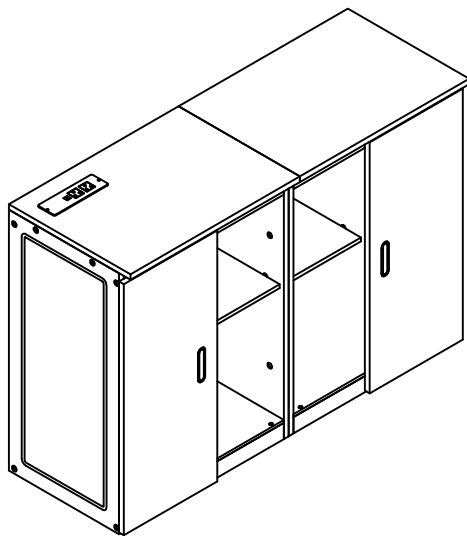
Use HW numbers #15 and #16
of step 32

COMPLETED

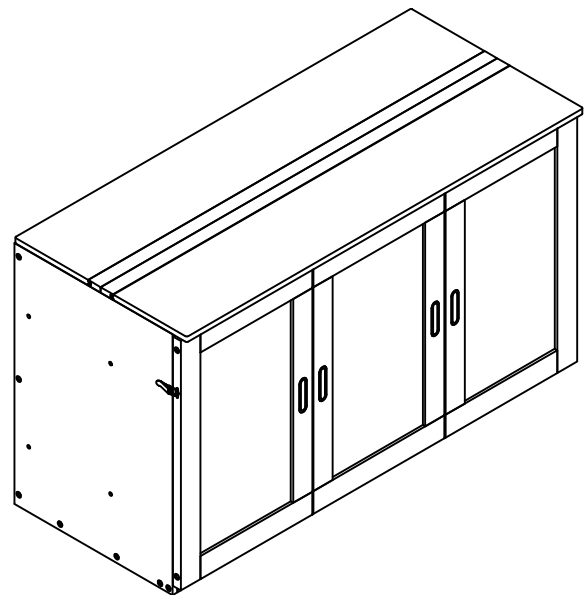
OPTION 1



OPTION 2



CABINET



MURPHY BED