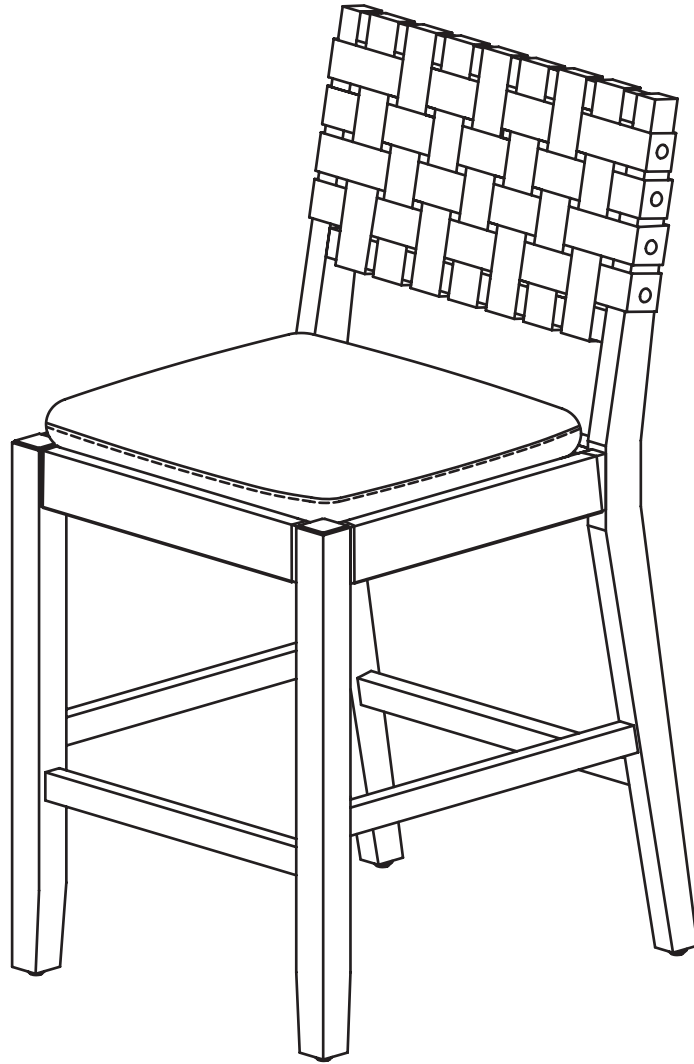


Let's build the

Cohen Bar Stool

SKU 24506



Scan me!

Free Lifetime
Guarantee

 nathan james

25-1222-VN

Ok, let's get rolling

This should be easy, just follow our instructions and you will be back to Netflix in no time.

Estimated time for assembly



25:00

What you need

- Some of your favorite bubbly or your preferred relaxant
- Use the packaging carton as a working surface to prevent product damage during assembly
- Phillips Head Screwdriver

Weight Limitation



275
lbs

Toll-free at 1-866-619-1004
Help@nathanjames.com
Nathanjames.com/help

What's included

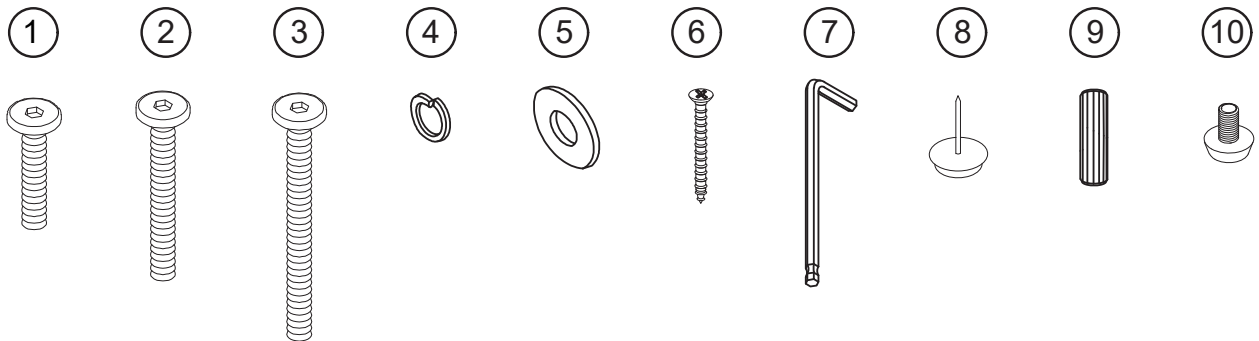
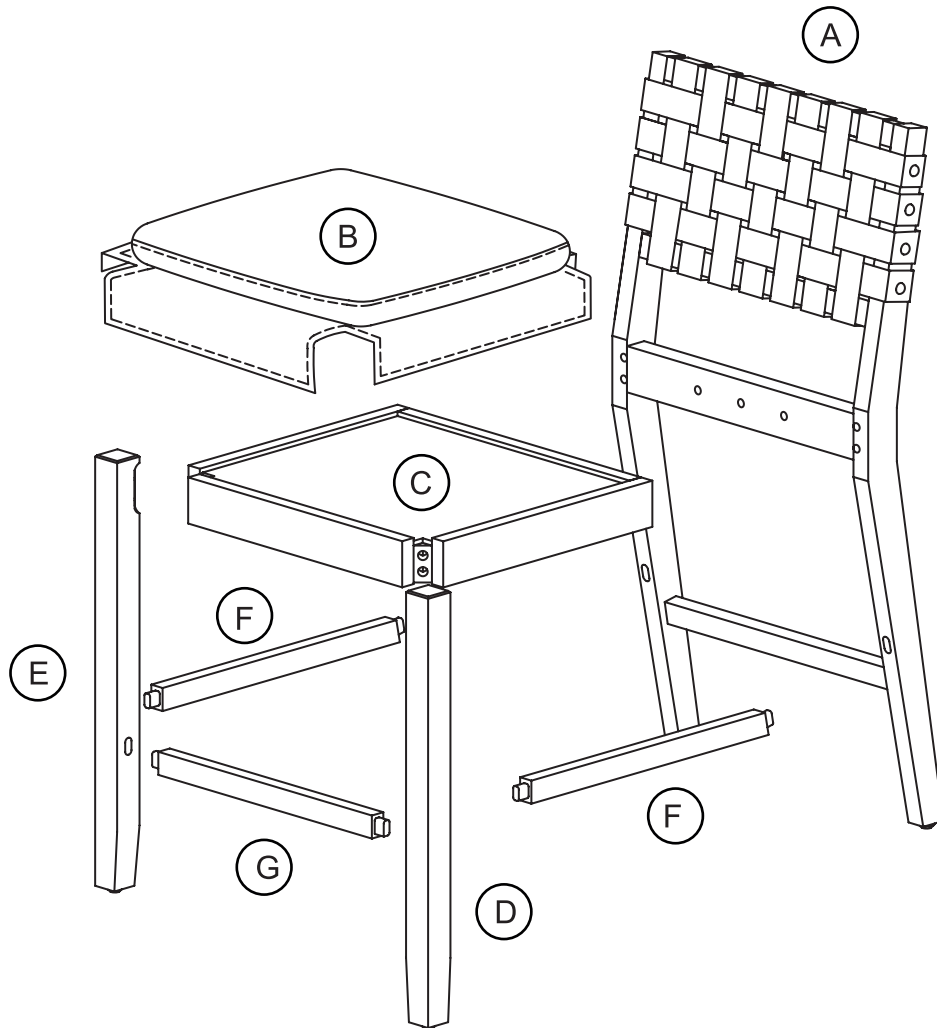
Description	Qty
A Chair Back	1
B Seat Cushion w/ Frame Cover + Velcro	1
C Seat Frame	1
D Front Leg - Right	1
E Front Leg - Left	1
F Side Stretcher	2
G Front Footrest	1
1 1/4 x 1 1/2 inch Hex Button Head Bolt	2
2 1/4 x 2 3/8 inch Hex Button Head Bolt	4
3 1/4 x 3 1/8 inch Hex Button Head Bolt	4
4 1/4 inch Lock Washer	10
5 1/4 inch Flat Washer	10
6 M4x38mm Phillips Head Screw	6
7 Allen Key	1
8 Plastic Nailhead Footpad (Extra)	2
9 Wooden Dowel (Extra)	1
10 Leveler (Extra)	2

Scan me!

Free Lifetime
Guarantee



The goods



IMPORTANT

1. Do not tighten bolts / screws completely until all bolts / screws are lined up and inserted into holes.
2. Do not over tighten screws and bolts to avoid stripping.
3. Please use hand tools to assemble this product.

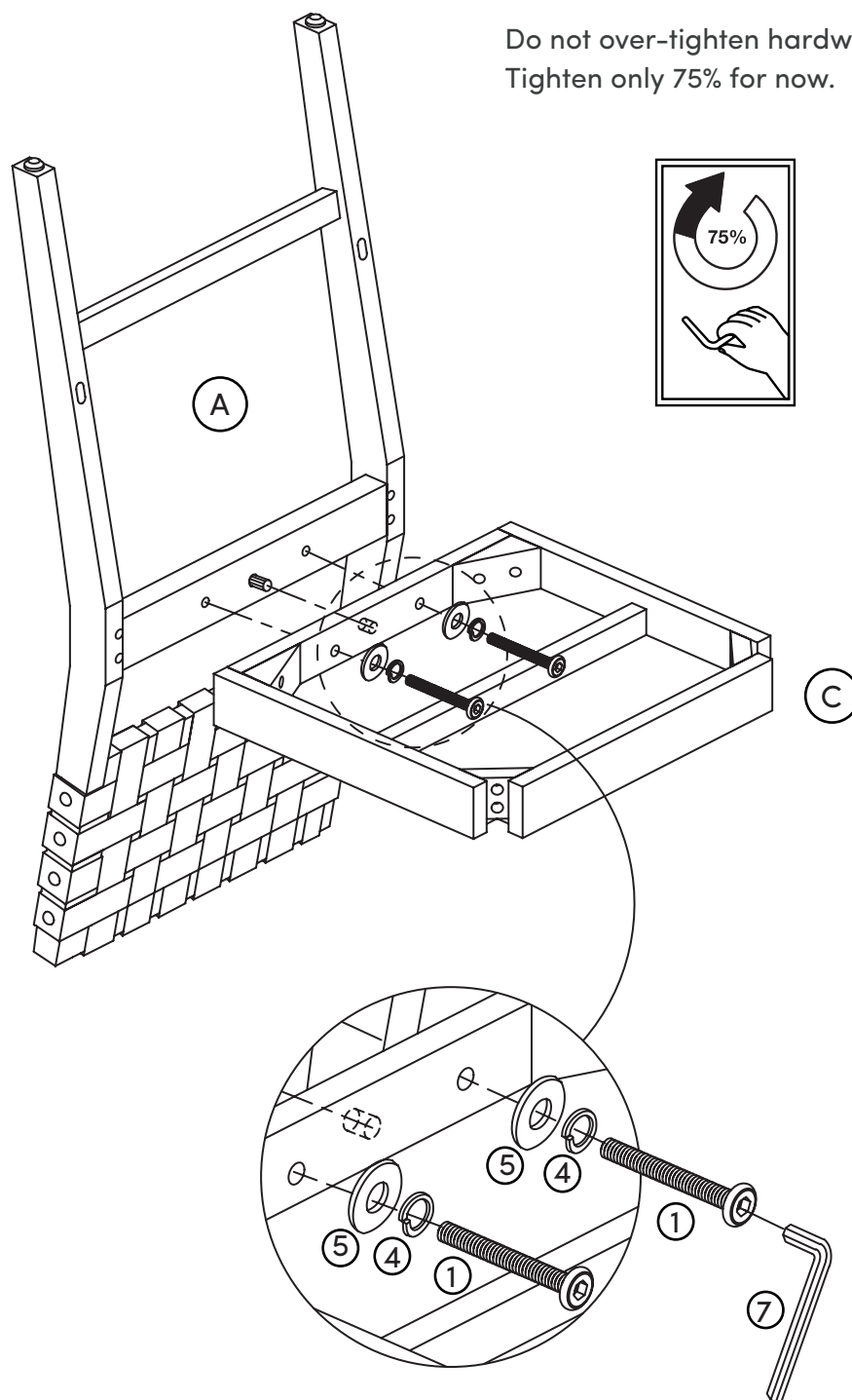
Step 1

Let's get this thing fired up!

Begin securing the Chair Back (A) to the Seat Frame (C) using the 1/4" Flat Washer (5), 1/4" Lock Washer (4) and 1/4" x 1 1/2" Hex Button Head Bolt (1).

We told you this was going to be easy!

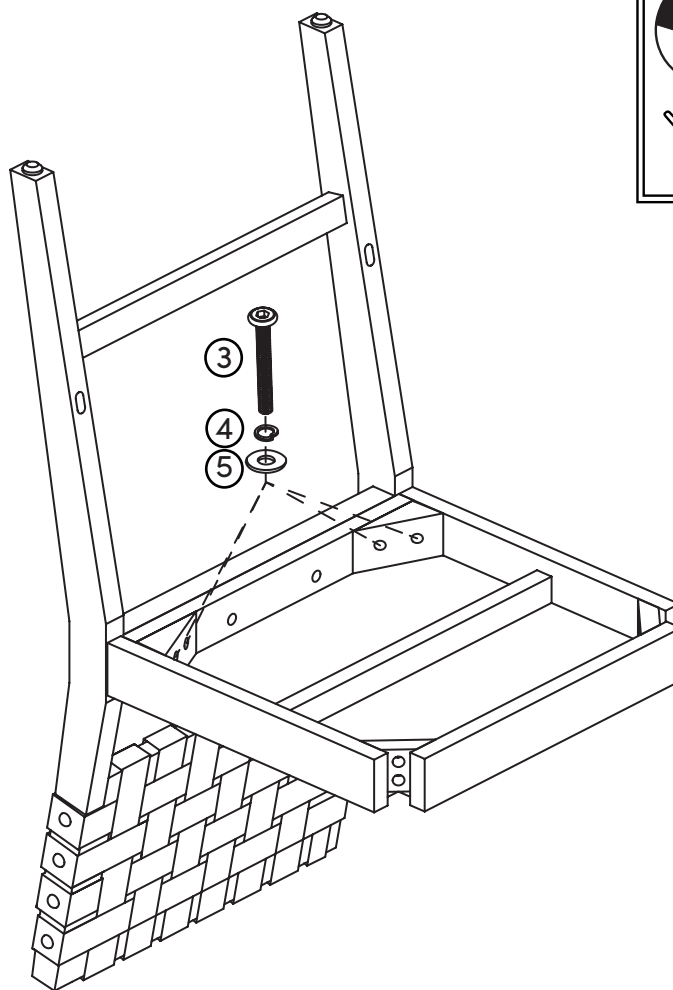
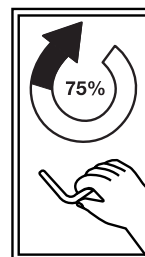
Do not over-tighten hardware!
Tighten only 75% for now.



Step 2

Then, continue securing the Chair Back (A) to the Seat Frame (C) using the 1/4" x 3 1/8" Hex Button Head Bolt (3), 1/4" Lock Washer (4), and 1/4" Flat Washer (5).

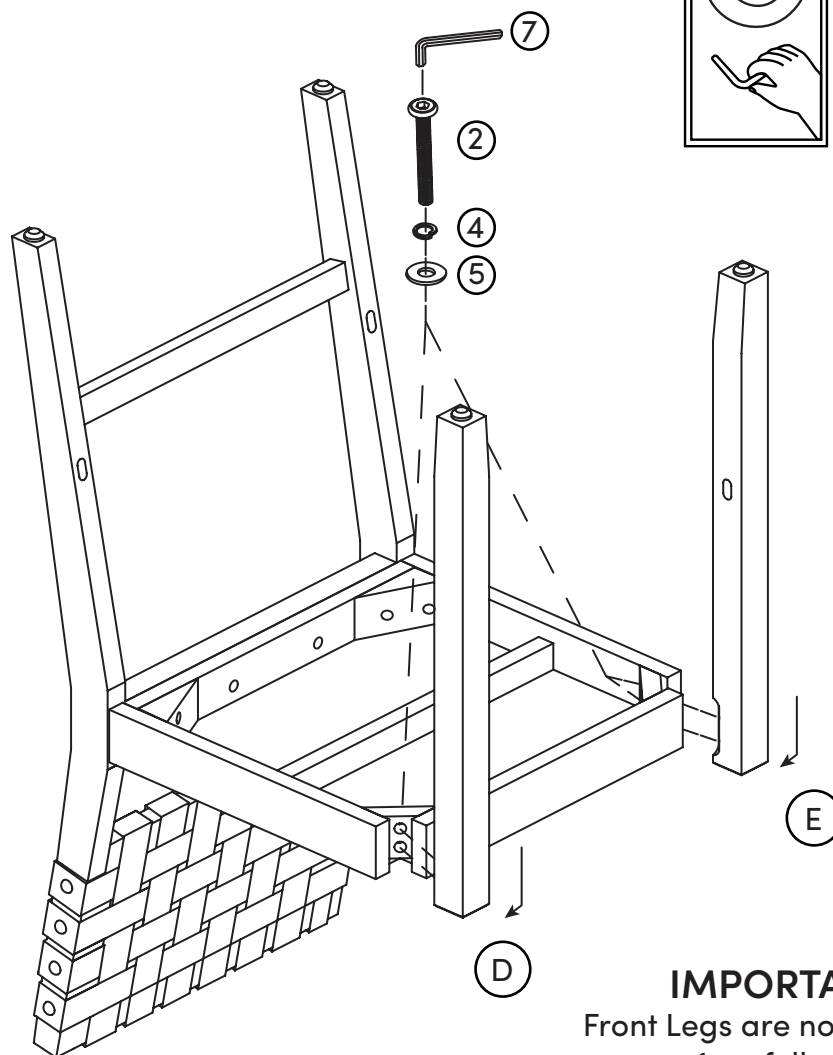
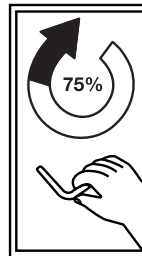
Do not over-tighten hardware!
Tighten only 75% for now.



Step 3

Time for the legs! You know what they say, never skip leg day. Secure the Front Leg - Right (D) and the Front Leg - Left (F) to the Seat Frame (C) using four sets of the Flat Washer (5), Lock Washer (4), and Hex Button Head Bolt (2).

Do not over-tighten hardware!
Tighten only 75% for now.

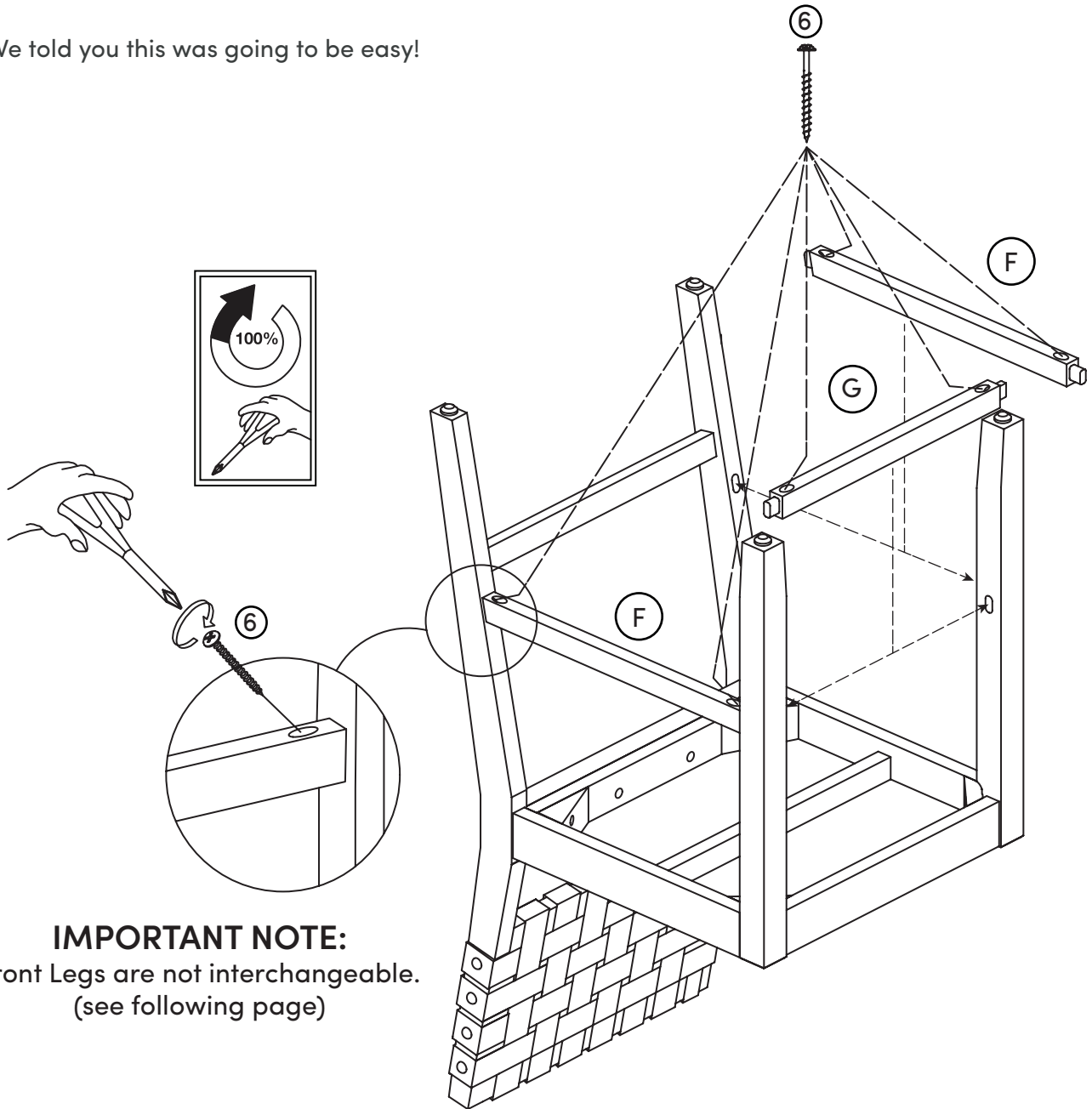


IMPORTANT NOTE:
Front Legs are not interchangeable.
(see following page)

Step 4

Secure the the Front Footrest (G) and Side Stretchers (F) to the legs using a screwdriver and M4x38mm Phillips Head Screw (6).

We told you this was going to be easy!



IMPORTANT NOTE:
Front Legs are not interchangeable.
(see following page)

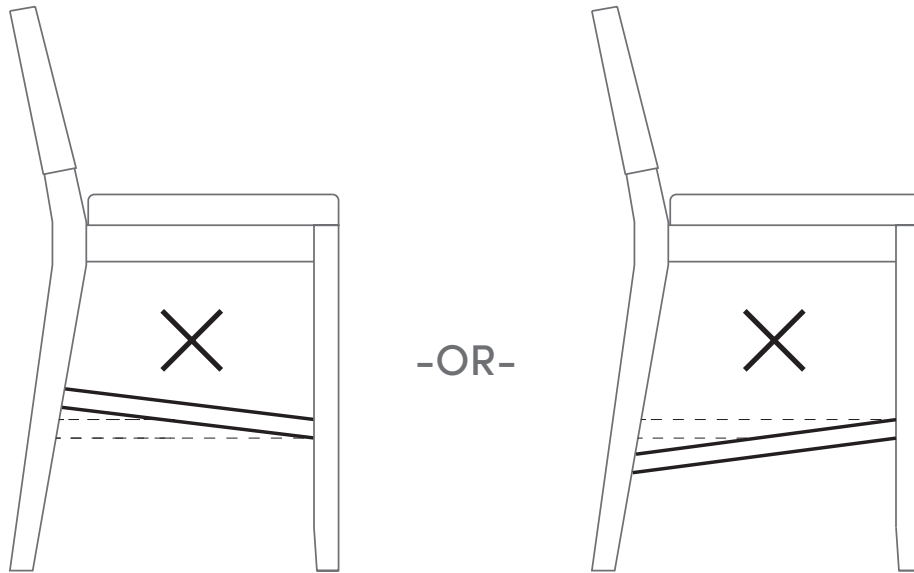
If you are having trouble getting the screws to catch, it is recommended to carefully use an electric screwdriver or drill with necessary bit for this step.



Do not over-tighten; holes may become stripped.

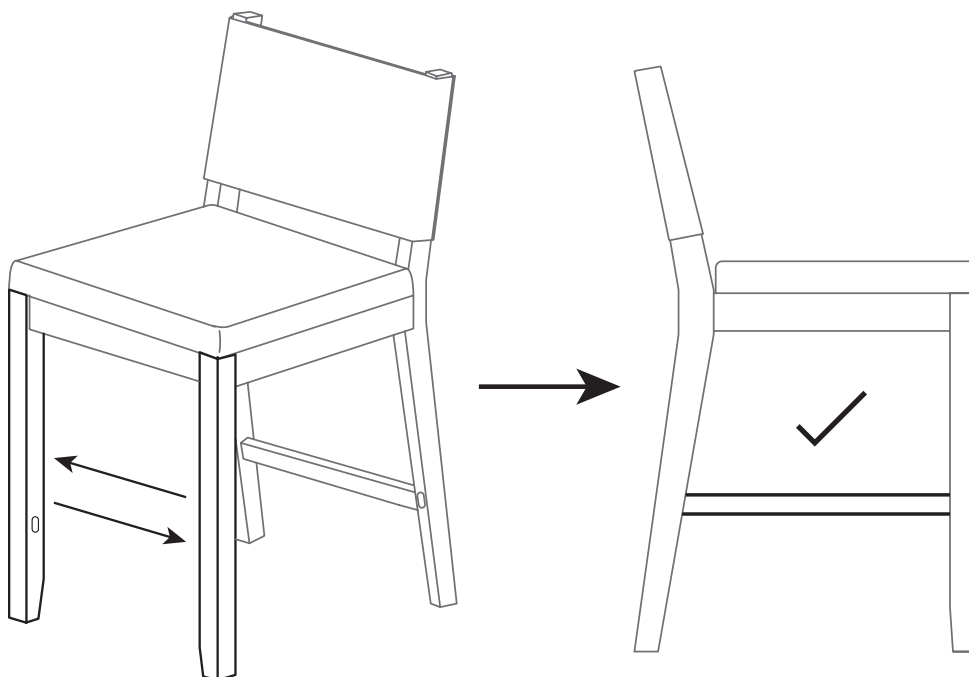
Issues with stretchers aligning at an angle?

If the stretchers are set at an angle when you are aligning them with their respective holes on the front & back legs, you have likely assembled the front legs incorrectly.



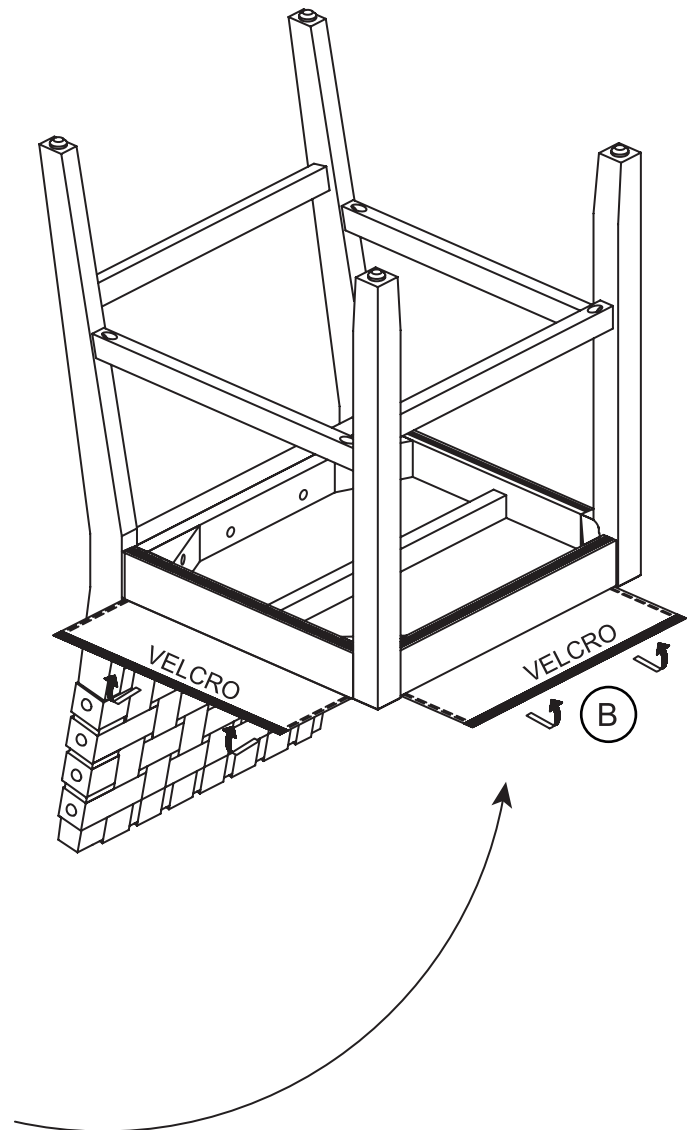
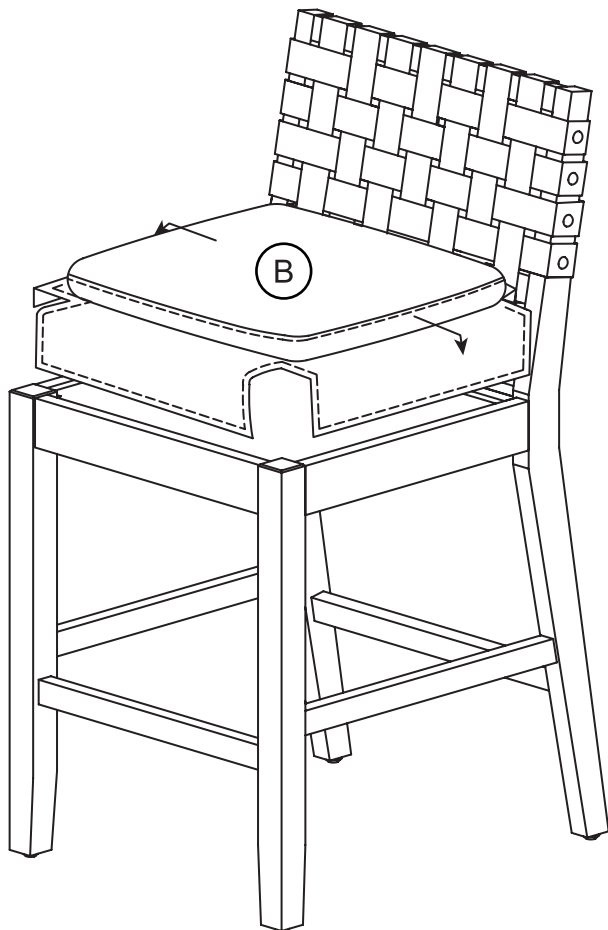
Re-check to confirm that the proper legs are installed in their intended position on the proper side of the stool.

The front legs are not interchangeable; therefore they may need to be rotated and swapped to the opposite side.



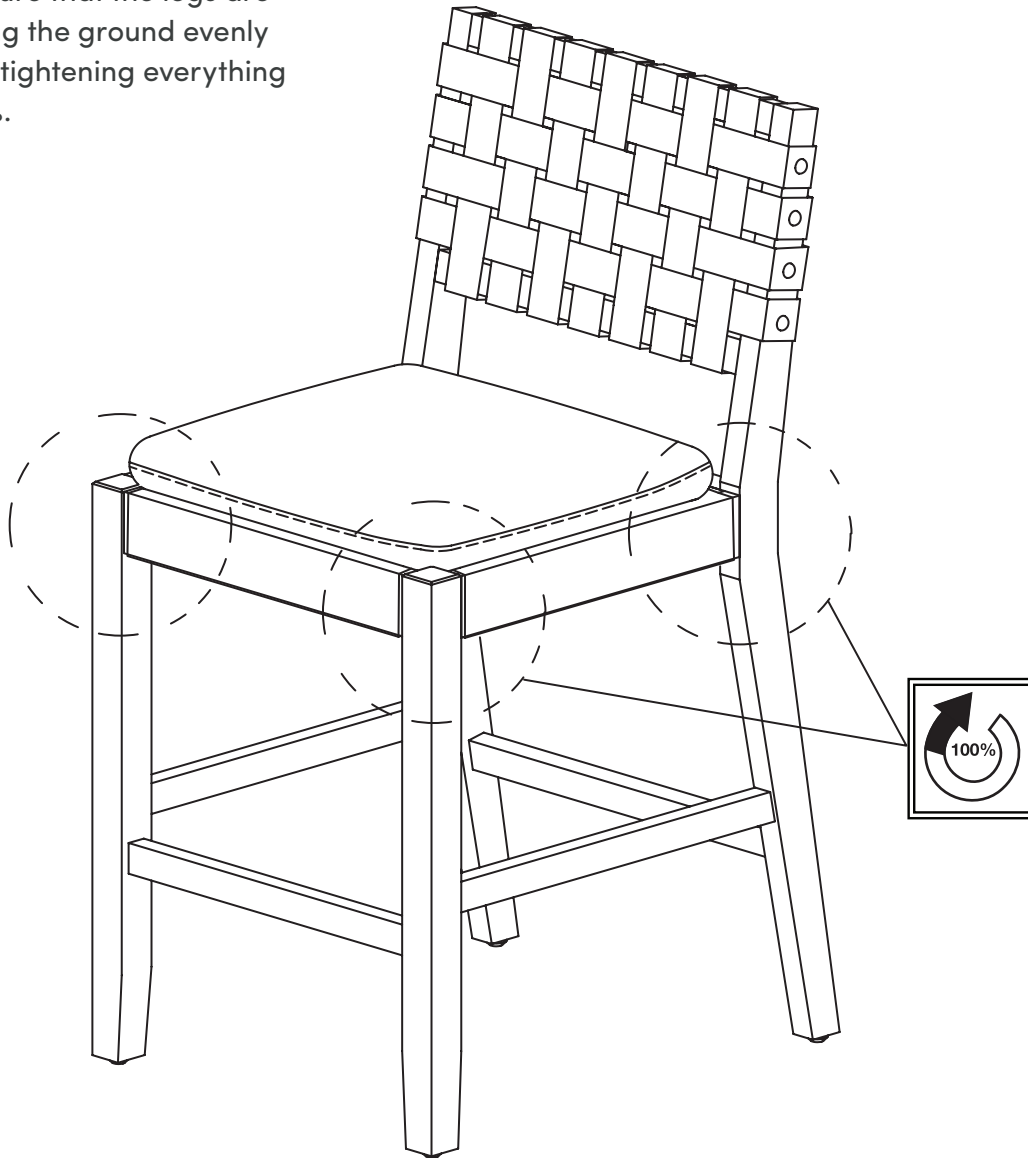
Step 5

First, cover the Seat Cushion w/ Frame Cover (B) on the face of the seat frame and then secure the Velcro sides.



Step 6

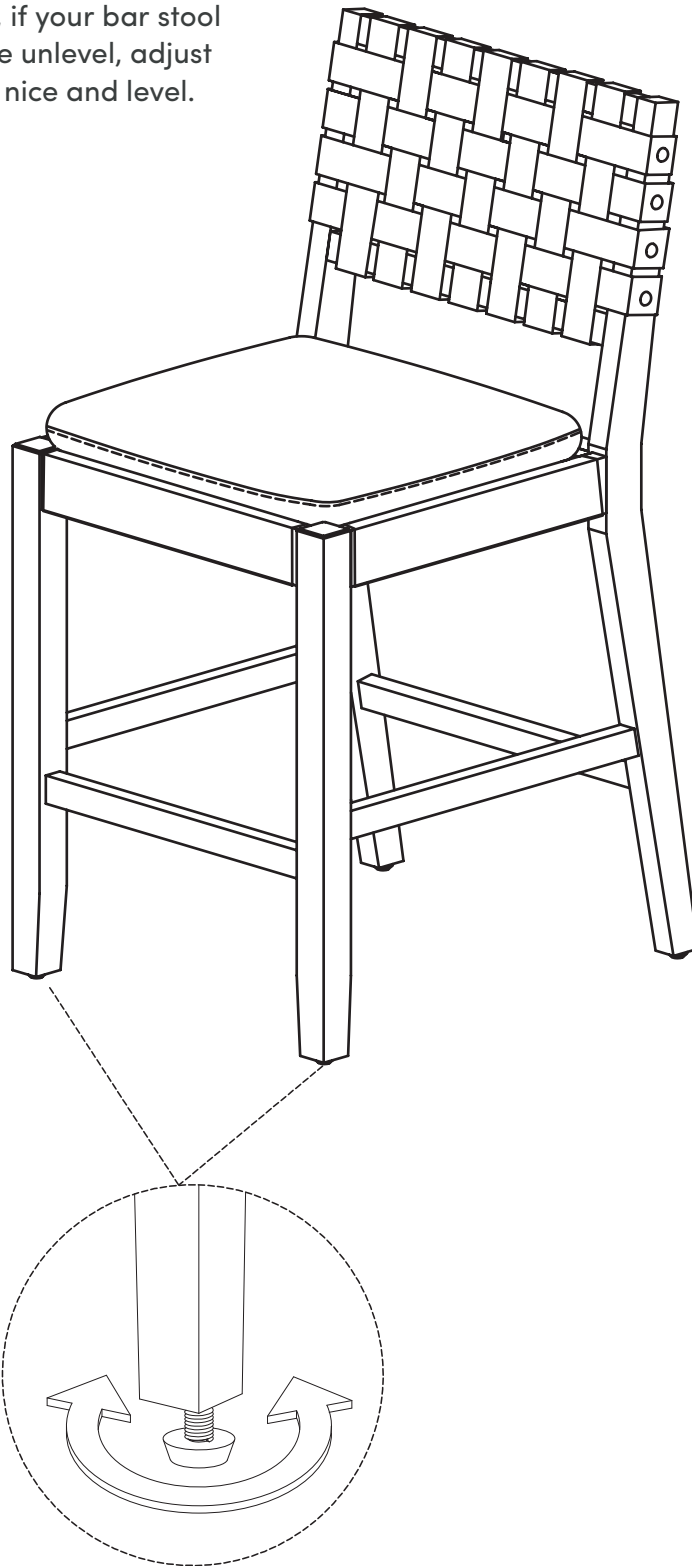
Carefully flip the bar stool over on a flat surface and make sure that the legs are touching the ground evenly before tightening everything to 100%.



We want your bar stool to last as long as possible, so we recommend that you tighten the screws 2 weeks after assembly and for added safety check the tightness of all screws every 2 months.

Step 7

Now, for some final fine tuning, if your bar stool needs it. If it's still looking a little unlevel, adjust the levelers on the feet until it's nice and level.



HELPFUL TIP:
Adjust the levelers to help further level the bar stool, if need be.

No heartburn, when we handle the return

Give us a call **1-866-619-1004** or shoot us a message at **help@nathanjames.com** we will issue you a free replacement with **zero hassle**.

Our way



Give us a call



Replacement



You

Their way



Re-package item



Schedule pick up



Track package



Replacement



You

We really don't want you to go through the hassle of re-packaging your item and sending it back, because let's be honest...nobody has time for that.

Safety first, fun later

We want your bar stool to last as long as possible, so we recommend that you tighten the screws 2 weeks after assembly and for added safety check the tightness of all screws every 2 months.

For proper care and treatment of wood and fabric please check our website at NathanJames.com/products

Safe use of this product starts with you.

Use this bar stool responsibly with the primary concern for your safety. Follow assembly instructions carefully and inspect product upon receipt and each use.

Nathan James and its parent companies cannot be held legally responsible for any injuries or death resulted from failure to follow instructions or improper use of this product.

Do not modify the structure of this product in any way.

Our products have been tested to meet specific safety measures as they were originally intended to be sold. Any modifications will present the risk of creating significant safety issues which NJ will not be responsible for.

Proper use

- DO NOT** use for commercial purposes
- DO NOT** place on uneven floor or surface
- DO NOT** use as a step-stool or stand on chair
- DO NOT** put hot serving liquid directly on chair
- DO NOT** leave spilled liquid on chair
- DO NOT** use if chair is damaged or broken
- DO NOT** make temporary repairs
- DO NOT** use outdoors

We are only in business if you're happy

For starters, thanks for being you.

☎ Toll-free at 1-866-619-1004

✉ Help@nathanjames.com

🌐 NathanJames.com/help

We do our best to ensure your furniture arrives without any problems, but occasionally mistakes happen—as humans we are imperfect beings. In the event that a part is damaged or missing, we will be more than happy to provide you with replacement part(s) for free.

Lifetime Guarantee

We believe in making things that last. That's why every product is backed by our Lifetime Guarantee. No hidden clauses. No runaround. If it breaks, we'll replace it—plain and simple. This isn't just a promise—it's our commitment to quality, and to you.

This product comes with a Lifetime Guarantee from the date of purchase. Please use your phone to scan the QR code on the cover of this booklet to register your product or visit <https://goo.gl/i9dk3q>



Did we do alright? Please spread the love!

If you are happy with your product, tell your friends and family about us or even better leave us a review online. Spreading the word gives us the opportunity to make more people happy and keep our prices low for your next purchase.

Brooke Burdon

Founder, Nathan James