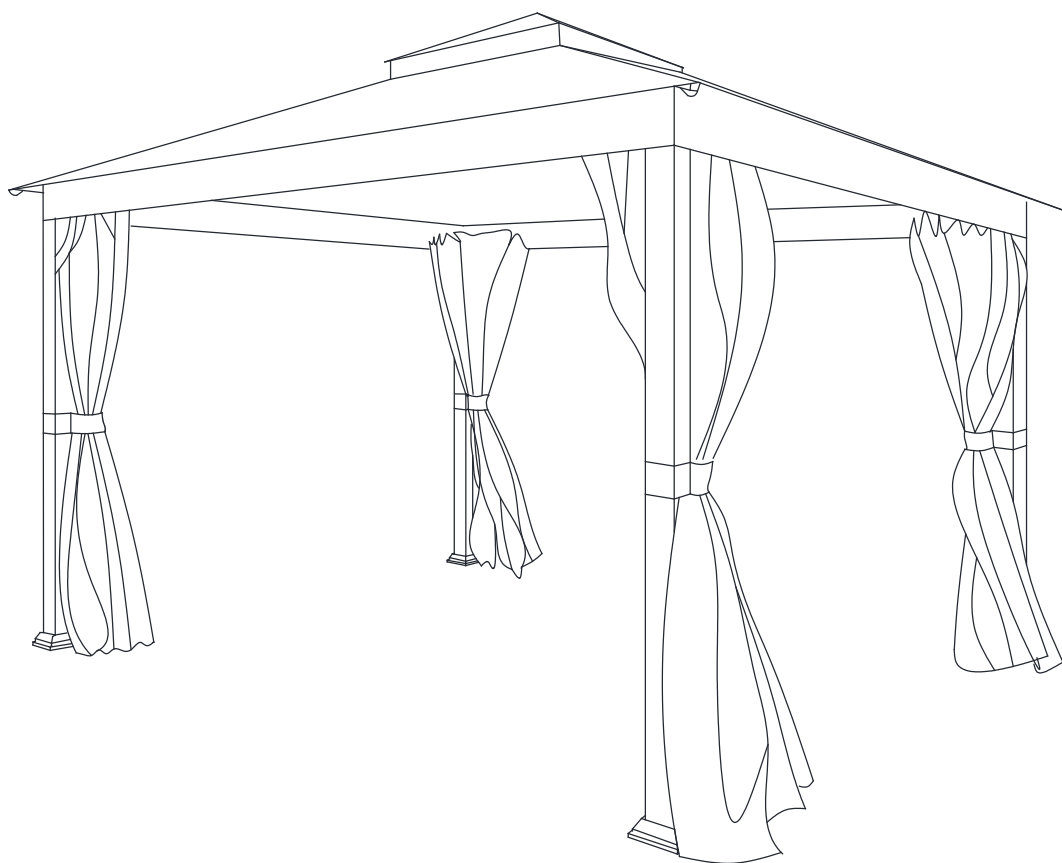


# USE AND CARE GUIDE

## MARYVILLE Music and Lights Gazebo



# Safety Information

## SET UP YOUR GAZEBO PROPERLY

- Please read and understand this entire manual before attempt to assemble, operate, or install the product.
- If any part is missing or damaged. Do not attempt to assemble the product.
- In order to avoid damage to the gazebo and its components. Please use appropriate tools.
- Do not use the structure as support.
- Check all bolts on a regular basis to maintain the solidity of the structure.
- Do not mix old and new batteries.
- Do not mix alkaline, standard(carbon-zinc),or rechargeable (nickel-cadmium) batteries.

## EXAMINE YOUR GAZEBO

- Examine occasionally to ensure there are no loose parts. If loose parts are found, they should be retightened immediately.

# Warranty

## 1 YEAR WARRANTY FOR FRAME, FABRIC AND ELECTRONICS

### WHAT IS COVERED

We guarantee 1 year for the whole gazebo from the date of purchase that the frame, fabric and electronics will be free from manufacturing defects.

### WHAT IS NOT COVERED

This warranty does not cover the damage caused by commercial use, acts of nature, fire, freezing, and abusive use. Discoloration or fading of the finish or fabrics as a result of chemicals or spills is not covered.

### SERVICE CENTER

The purchaser must contact our customer service center directly if this product is found to be defective in material or workmanship. The manufacturer, as its option, will repair or replace the defectives parts.

## Care and Maintenance

- For cleaning, use a mild detergent solution, rinse with water, and allow to air dry.  
Do not use acetone, abrasive, or other special detergents as they would be harmful to the product's finish.
- Due to the nature of steel, surface oxidation (rusting) will occur if this protective coating is scratched. This is a natural process. To minimize this condition, it is recommended that care be taken when assembling and handling the product in order to prevent the paint from being scratched.

## Warning

### **WARNING: KEEP ALL FLAME AND HEAT SOURCES AWAY FROM THIS TENT FABRIC.**

The tent meets the flammability requirements of CPAI-84. The fabric may burn if left in continuous contact with any flame source. The application of any foreign substance to the tent fabric may render the flame-resistant properties ineffective.

If high winds, heavy rains or snow occurs, remove fabric, clear snow load from the roof immediately, and check for damage before continued use.

## Pre-Assembly

### **PLANNING ASSEMBLY**

Before assembly of product, make sure all parts are present.

Compare parts with package contents list and hardware contents list. If any part is missing or damaged, do not attempt to assemble the product.

To prevent damage, place all parts on a soft surface during assembly.

Estimated assembly time: 2hour (3 Persons)

Required for assembly(not included):

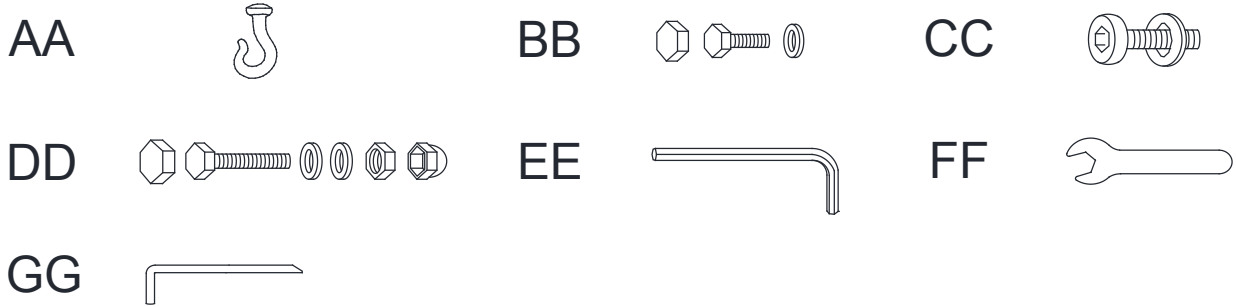


Do not leave it unattended if not fully assembled even if bolted to the ground.

# HARDWARE INCLUDED



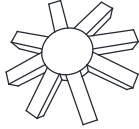


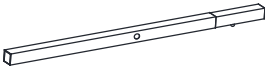




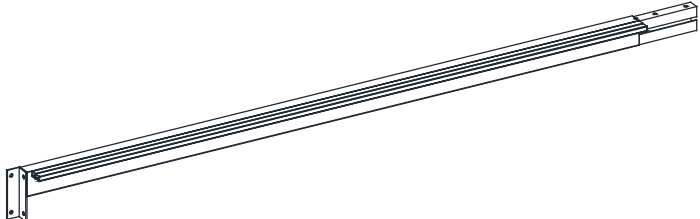
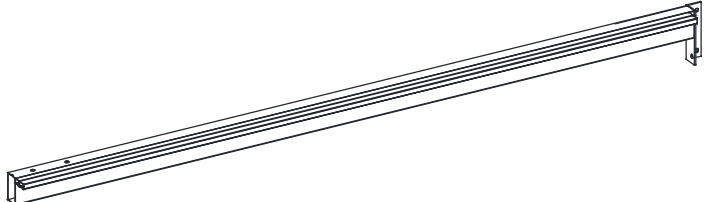
**NOTED:** Hardware not shown to actual size.



Part	Description	Size	QTY.
AA	Hook		88
BB	Bolt	M6*15mm	56
CC	Bolt	M6*15mm	4
DD	Bolt	M6*32mm	8
EE	Hexagon wrench		1
FF	Fork wrench		2
GG	Ground nail		16

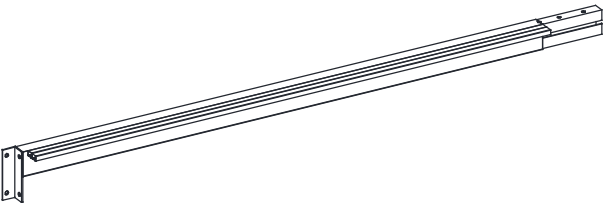
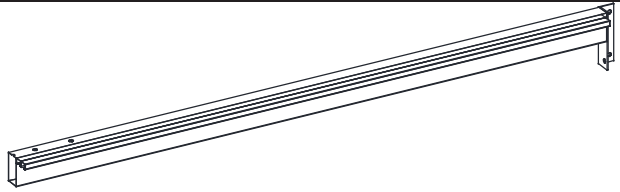

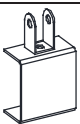
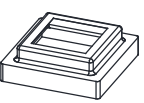

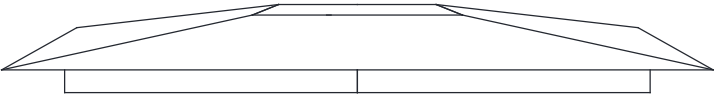
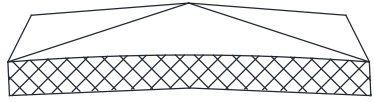
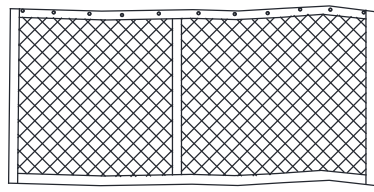

# Pre-Assembly (continued)

## Package Contents

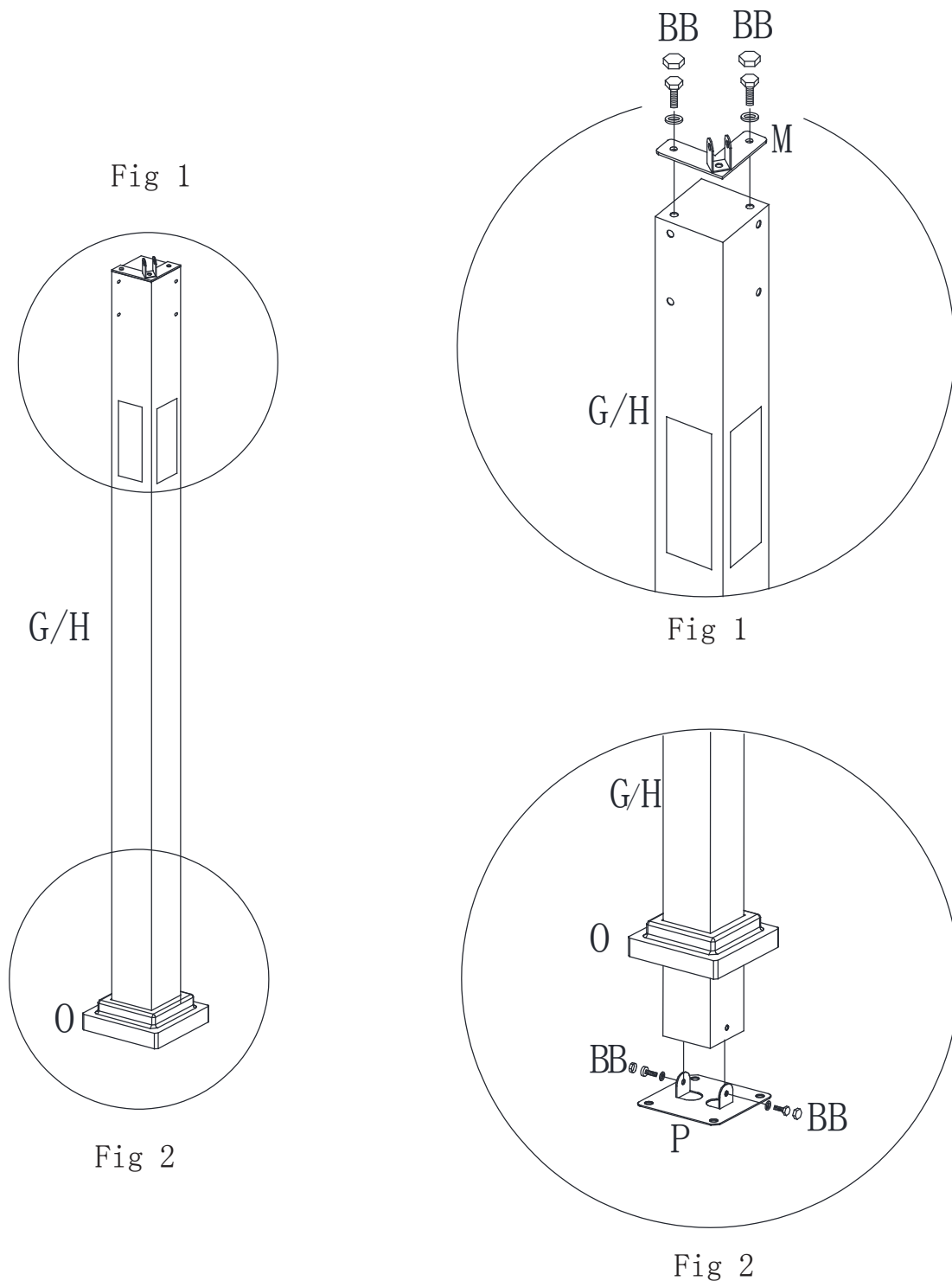
ITEM	DESCRIPTION	QTY.	ILLUSTRATION
A	Center Connector	1	
B	Hook	1	
C	Long top bar	4	
D	Connecting pipe	4	
E	Short top bar	2	
F	Short top bar	2	
G	Post	2	
H	Post	2	
I	Long right beam	2	
J	Long left beam	2	

# Pre-Assembly (continued)

## Package Contents

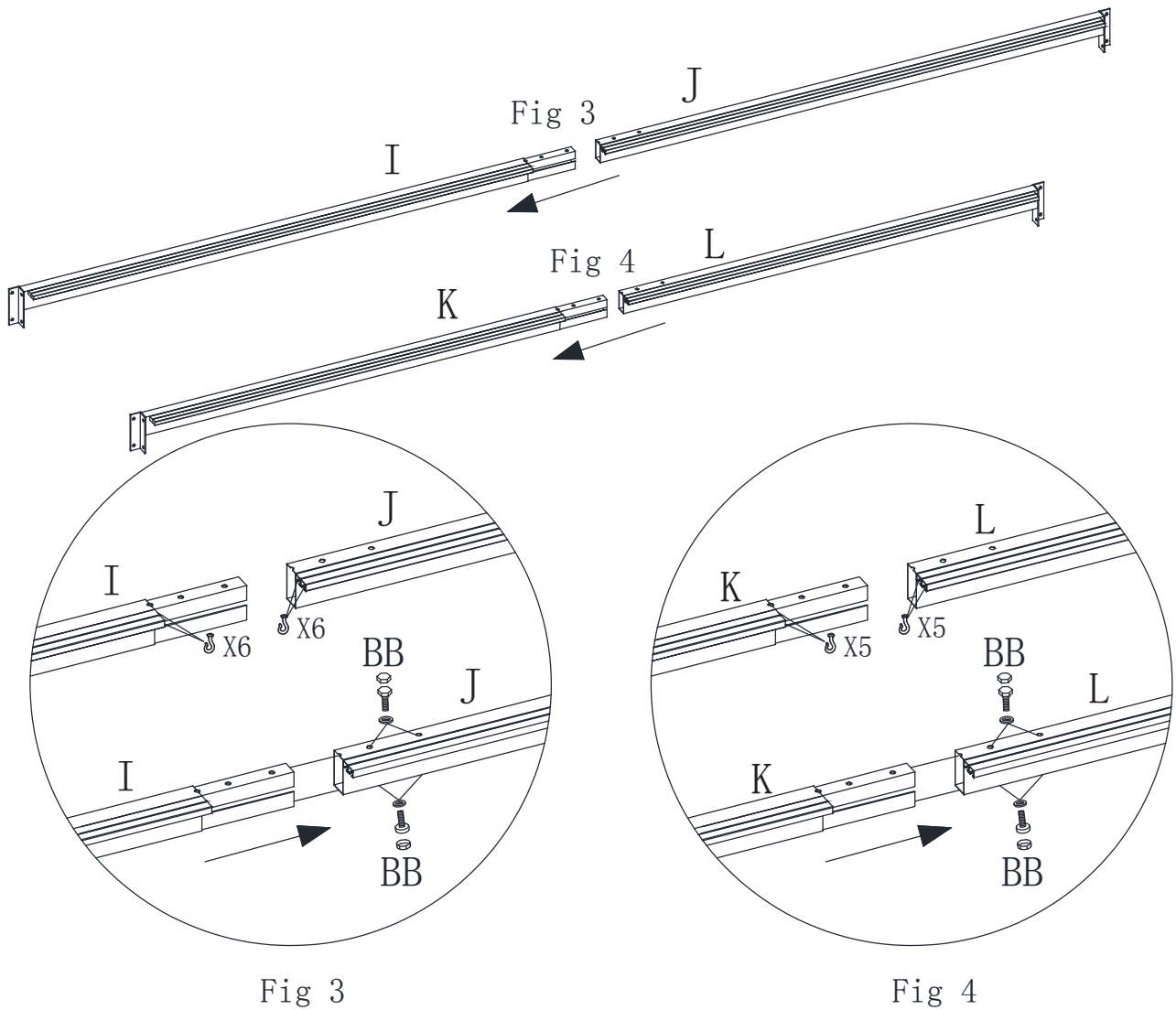
K	Short right beam	2	
L	Short left beam	2	
M	Corner parts	4	
N	Connection parts	4	
O	Buckle cover	4	
P	Base	4	
Q	Big Canopy	1	
R	Small Canopy	1	
S	Mosquito net	4	
T	Curtain	4	

## Step 1



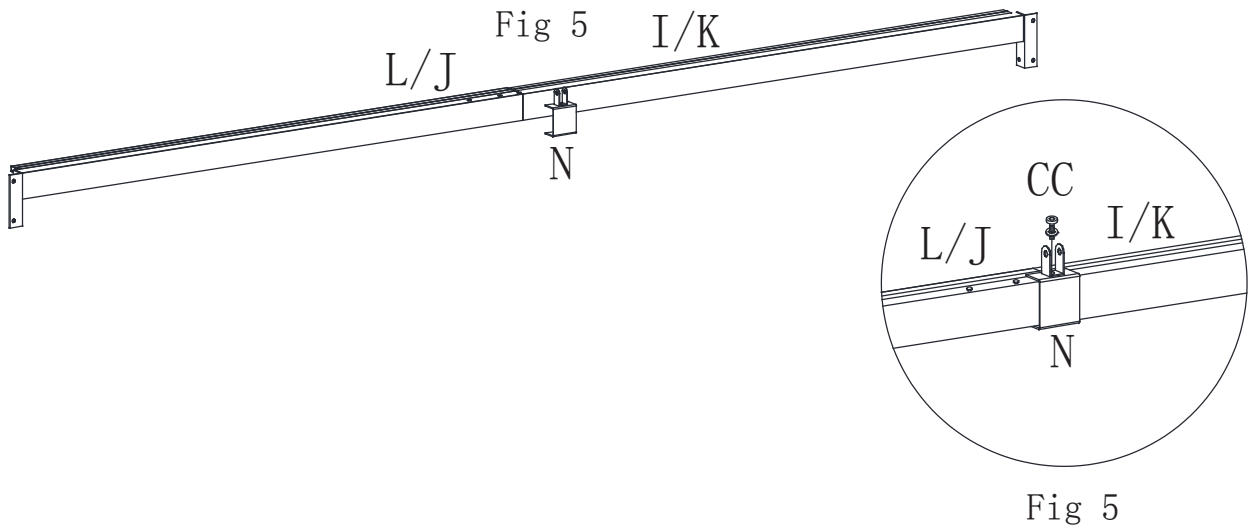
- 1.1 Connect the corner part (M) and the post (G/H) by the bolt (BB). Fig 1
- 1.2 Insert the cover (O) into the post, connect the base (D) and the post (G/H) by the bolt (BB). Fig 2

## Step 2



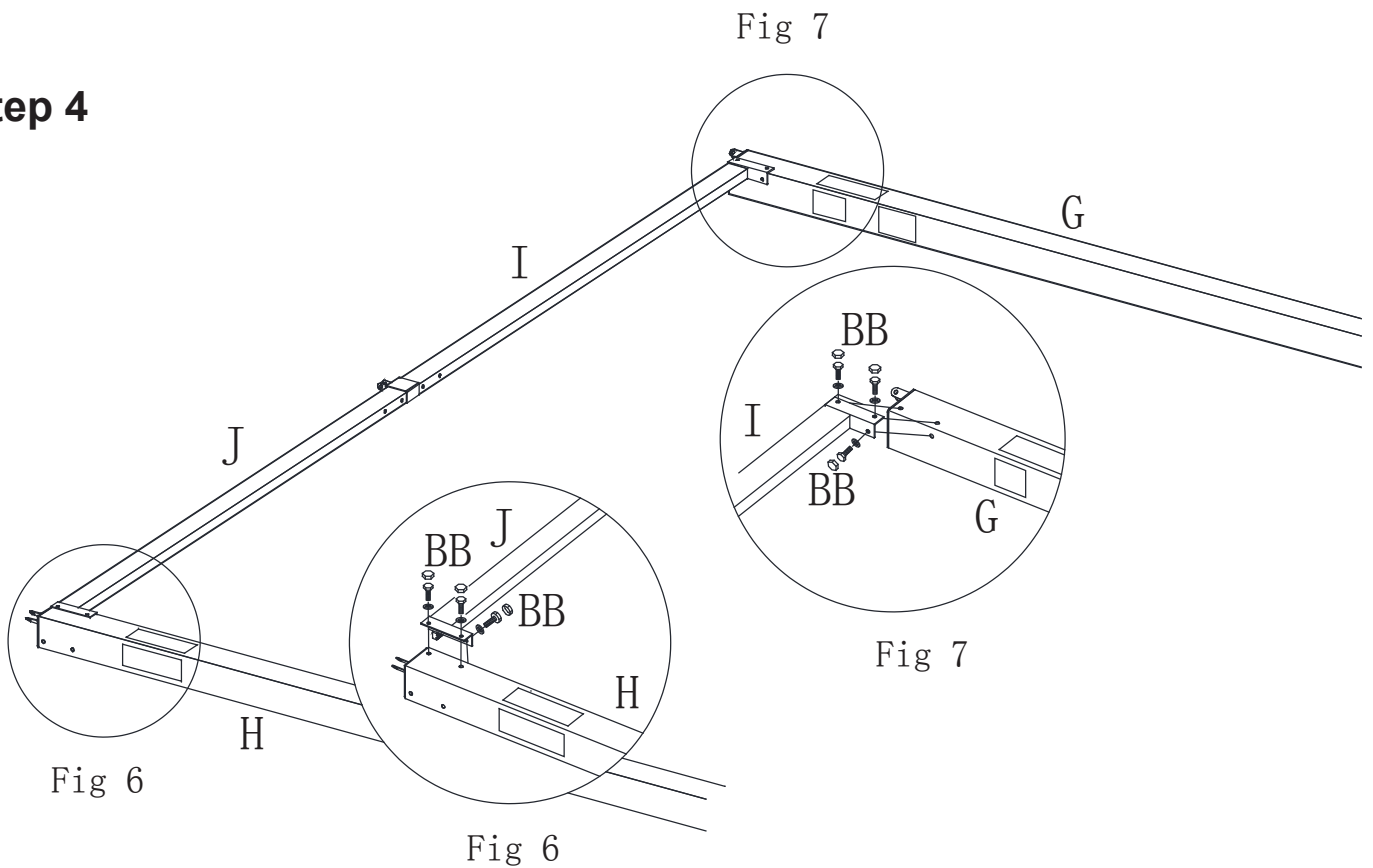
- 2.1 Put six hooks into the rails of the long beams (I/J) respectively, connect the beam I and J by the bolt (BB). Fig 3
- 2.2 Put five hooks into the rails of the short beams (K/L) respectively, connect the beam K and J by the bolt (BB). Fig 4

## Step 3



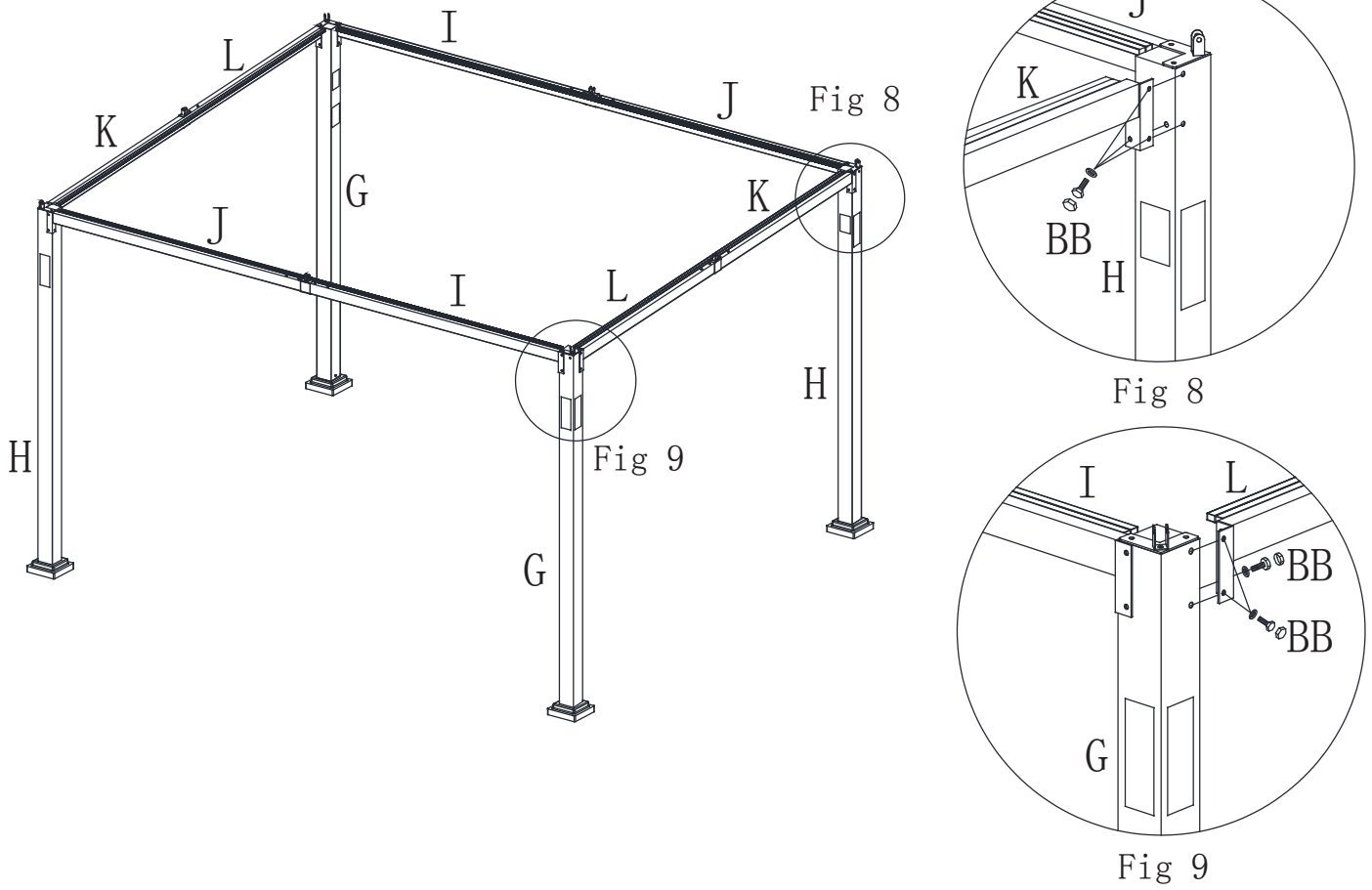
3. Connect the connection parts (N) to the beam by the bolt (CC). Fig 5

## Step 4



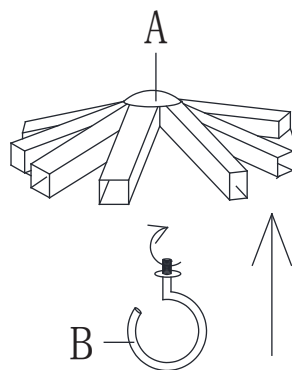
4. Connect the long beam (J/I) and the post (H/G) by the bolt (BB) .

## Step 5



5. Connect the short beam (L/K) and the post (H/G) by the bolt (BB) .

## Step 6



6. Screw the hook (B) into the Center Connector (A)

# Assembly Instructions

## Step 7



7. Insert the connecting pipe (D) into the long top bar (C).

## Step 8

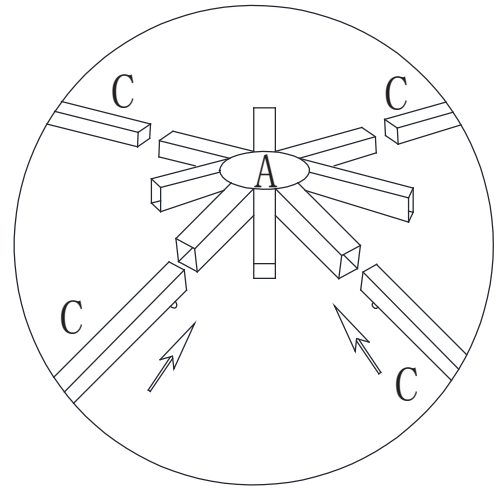


Fig 10

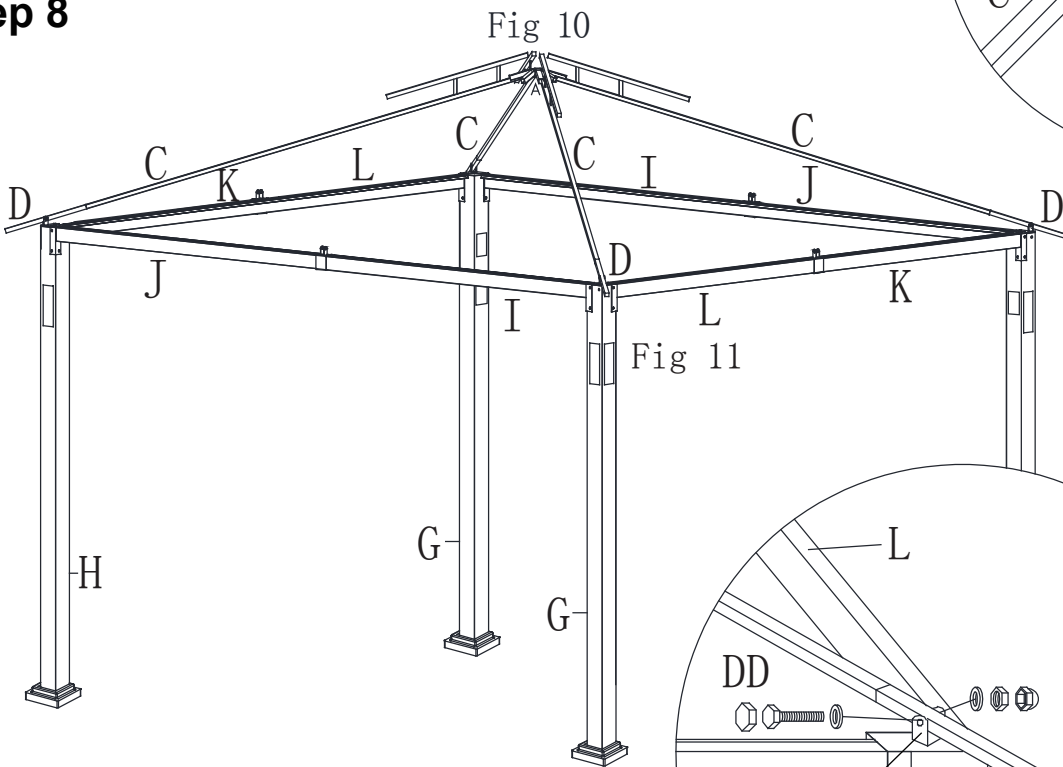


Fig 11

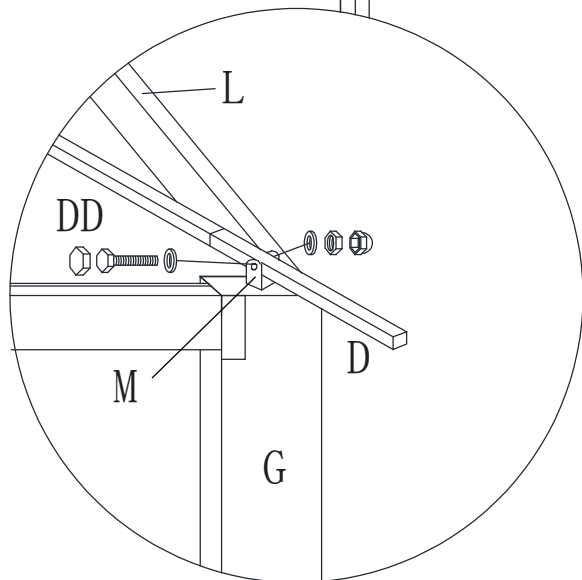
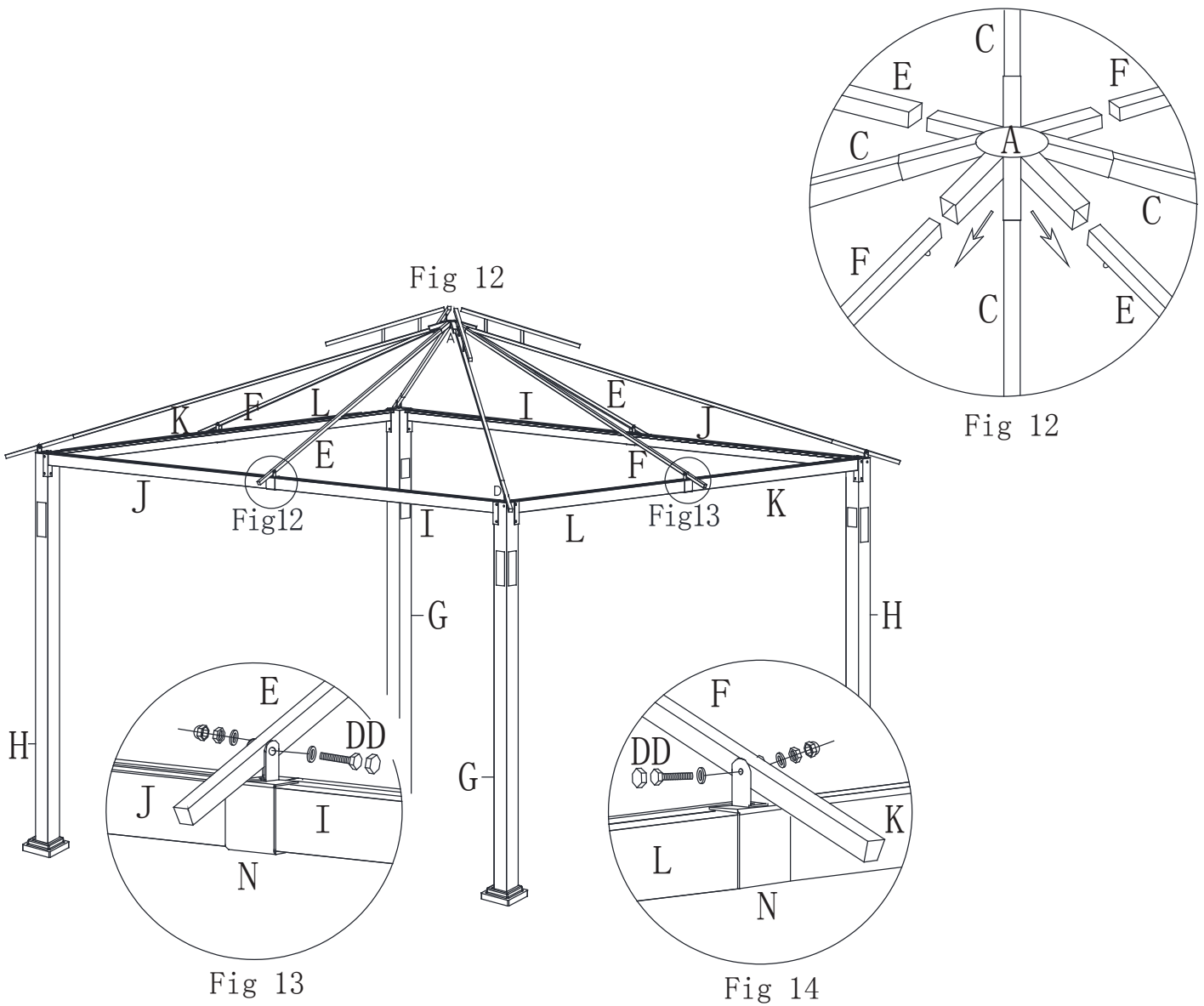


Fig 11

8. Insert the long top bar (C) into the center connector (A) Fig 10, attach the connecting pipe (D) to the corner parts (M) by bolt (DD). Fig 11

## Step 9



9.1 Insert the short top bar (E) into the center connector (A) Fig 12, attach the other end of the short top bar (E) to the connection parts (N) on the long beam (J/I) by bolt (DD) Fig 13.

9.2 Insert the short top bar (F) into the center connector (A) Fig 12, attach the other end of the short top bar (F) to the connection parts (N) on the short beam (L/K) by bolt (DD) Fig 14.

## Step 10

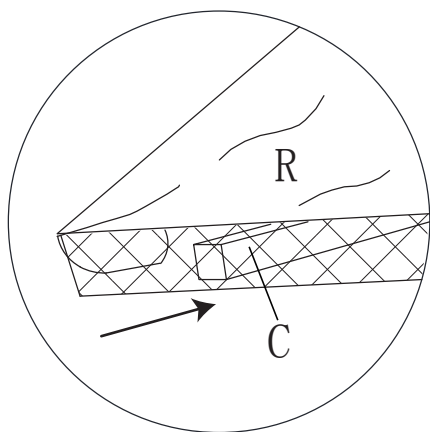
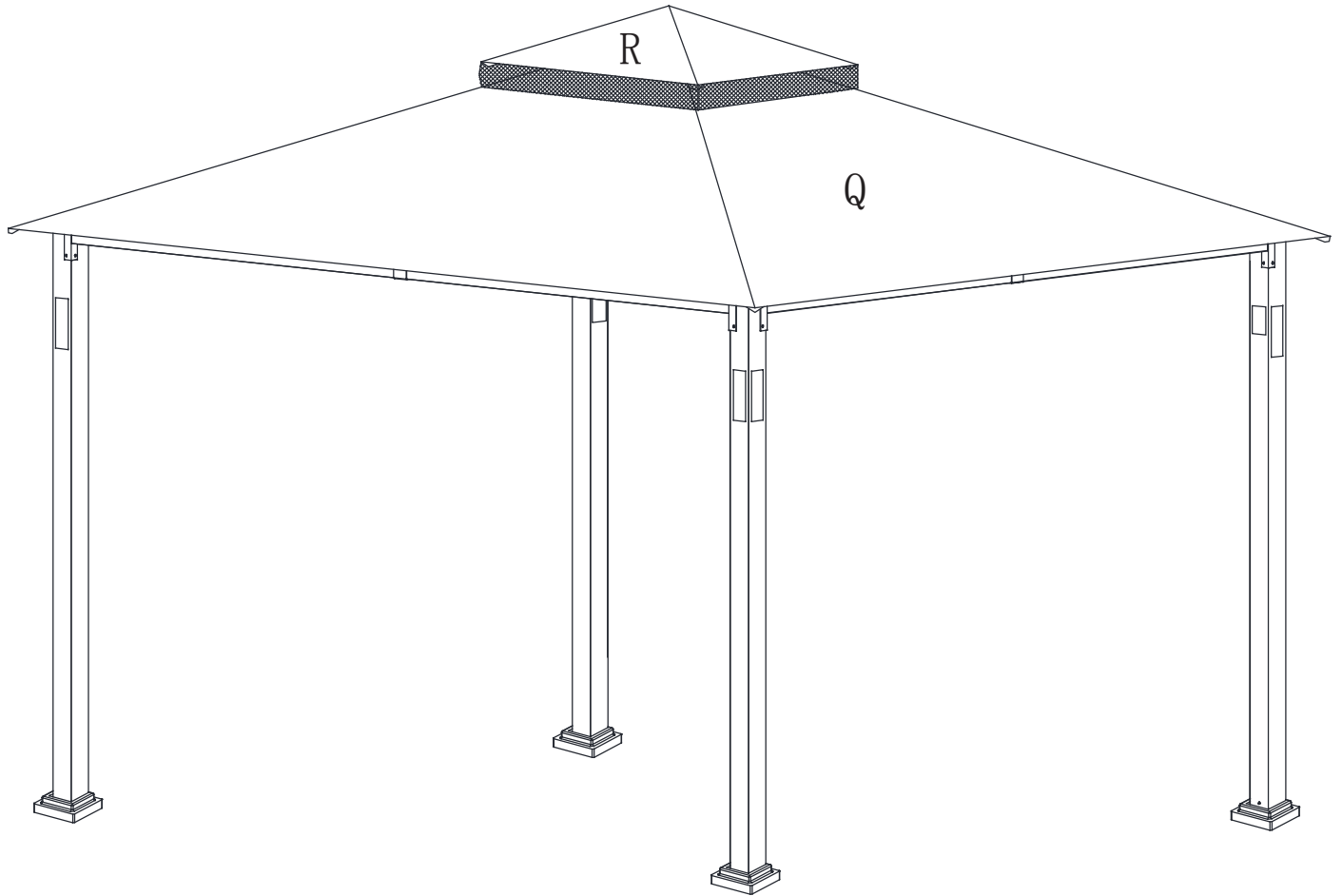


Fig 15

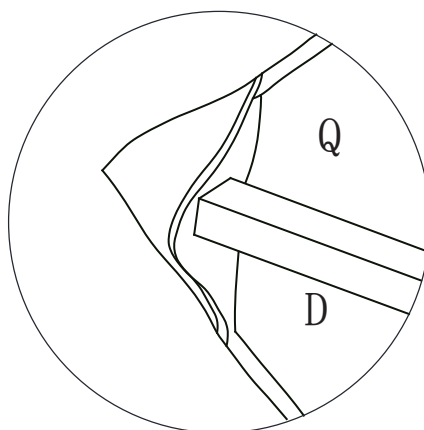


Fig 16

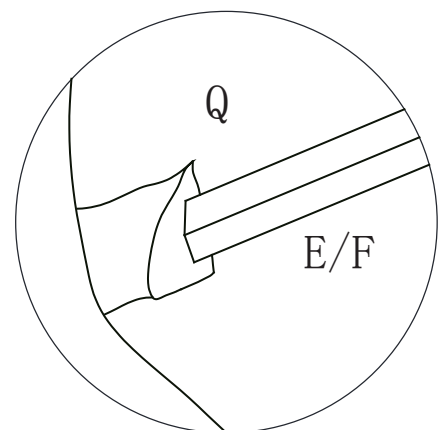


Fig 17

10. Cover the big canopy (Q) onto the top of the gazebo(do not tighten at this stage); Place the small canopy (R) onto the ends of the long top bar (C) , then the big canopy onto the ends of the top bar connection pipe (D).

## Step 11

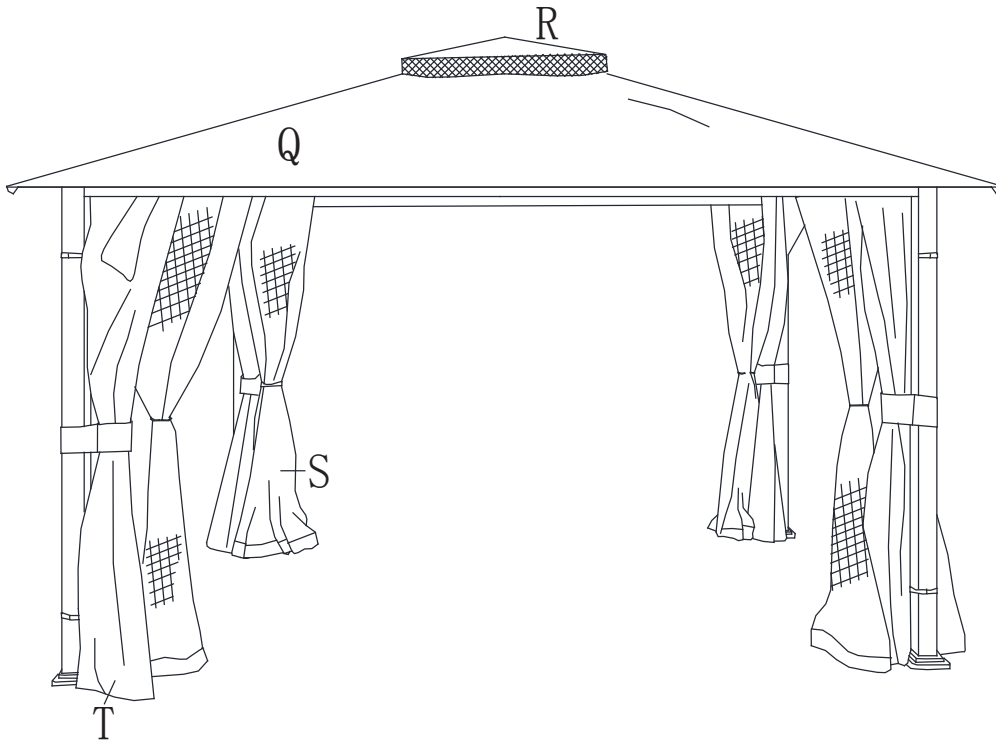


Fig 18

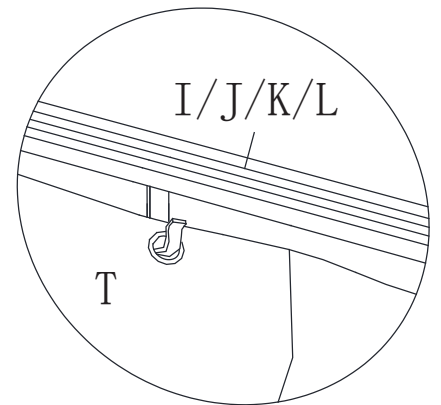
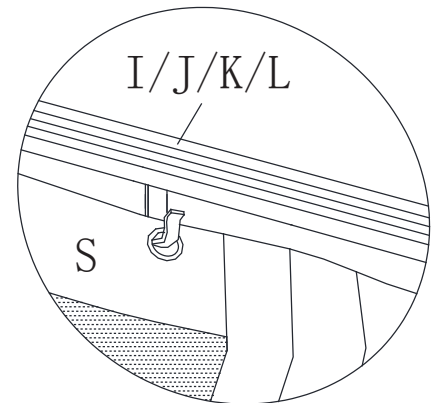


Fig 19



11. Hang the curtain (T) on the hooks of rails outside. Fig 18

Hang the mosquito net (S) on the hooks of rails inside. Fig 19

# Assembly Instructions

## Step 12

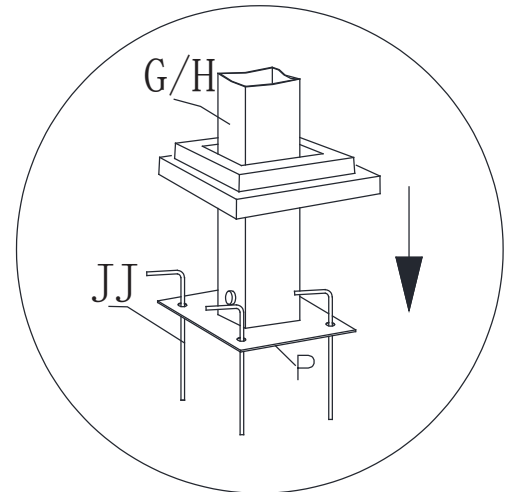
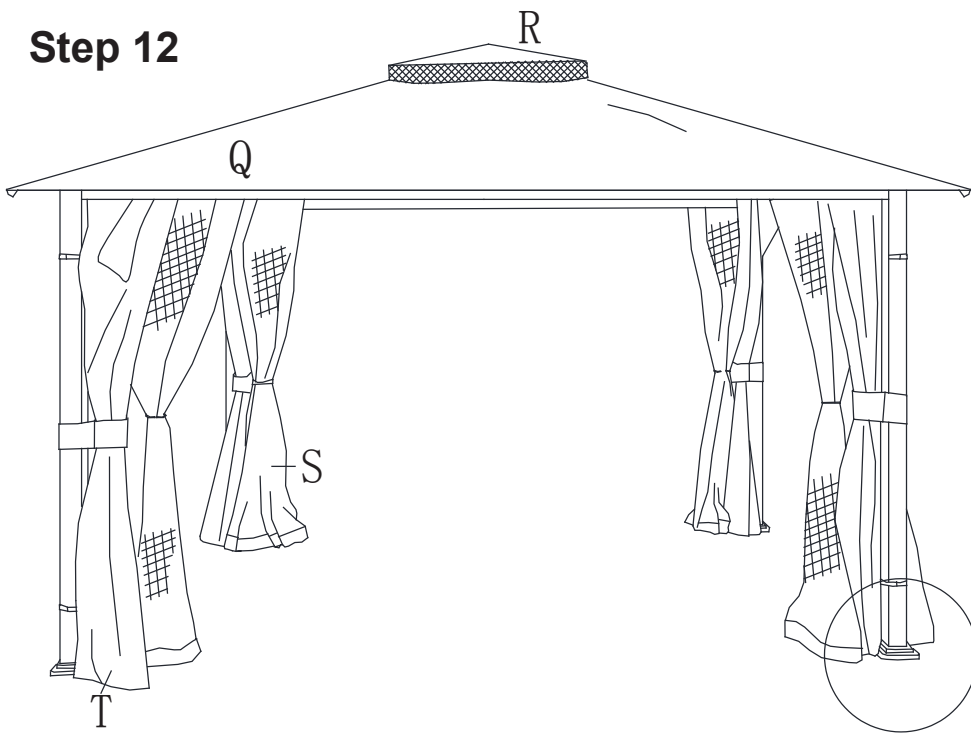


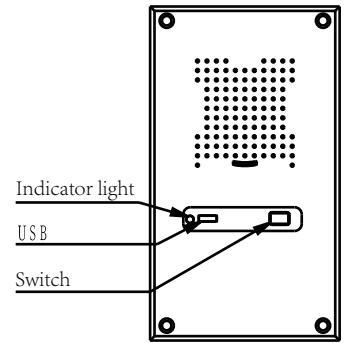
Fig 20

12. Move the cover up and insert the stake (JJ) into the four holes of the base (P) for fixation. Fig 20

## Step 13

### The usage instruction of bluetooth speakers

1. Turn on the both two speakers at the same time, this is important to ensure you can sync both speakers successfully , then you'll see instruction light on the speaker flash that indicated the speaker is on working.
2. Turn on Mobile's Bluetooth, search for name "taipeng" , then try to matches it and you'll hear sound "bee" indicated that you're successfully matches with both speakers.
3. Congratulation you can play music through your mobile.
4. If you powers off , you only click one switch so thay you can turn off all speakers.
5. When the power is low, the sound prompt " Battery is low, please recharge in time", then you will hear "bee, bee"that indicate the speakers turn off.
6. When charging, the indicator light will turn red. During charging, the indicator light will slowly dim..When fully charged, the red light will be extinguished.



### Specification parameter

1. Bluetooth pairing name:taipeng
2. Receiving distance: 8 meters ( no obstacle )
3. Bluetooth version:4.2
4. Speaker resistor: 4 OHM
5. Output power: 5w
6. Battery capacity: 2200 MA/H ( 18650 of 1 section )
7. Playtime:4.5 hours
8. The distance of TWS: within 6 meters( no obstacle )

### FCC Statement of bluetooth speakers

This equipment has been tested and found to comply with the limits for a Class B digital device, pursuant to Part 15 of the FCC Rules. These limits are designed to provide reasonable protection against harmful interference in a residential installation. This equipment generates uses and can radiate radio frequency energy and, if not installed and used in accordance with the instructions, may cause harmful interference to radio communications. However, there is no guarantee that interference will not occur in a particular installation. If this equipment does cause harmful interference to radio or television reception, which can be determined by turning the equipment off and on, the user is encouraged to try to correct the interference by one or more of the following measures:

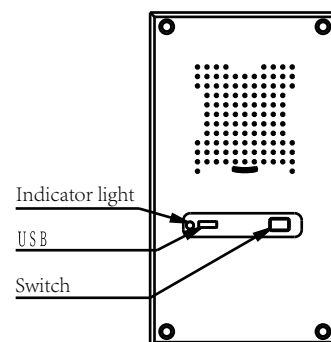
- Reorient or relocate the receiving antenna.
- Increase the separation between the equipment and receiver.
- Connect the equipment into an outlet on a circuit different from that to which the receiver is connected.
- Consult the dealer or an experienced radio/TV technician for help.

### § 15.21 Information to user.

Any Changes or modifications not expressly approved by the party responsible for compliance could void the user's authority to operate the equipment.

### § 15.19 Labelling requirements.

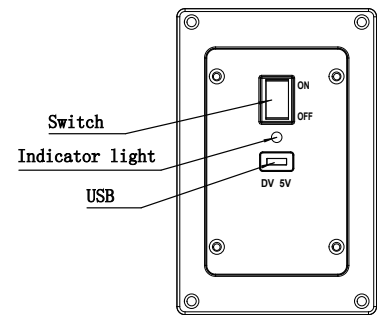
This device complies with part 15 of the FCC Rules. Operation is subject to the following two conditions: (1) This device may not cause harmful interference, and (2) this device must accept any interference received, including interference that may cause undesired operation.



### Step 14

#### The usage instruction of LED light

1. When the switch is pressed, the light illuminates and can be used normally.
2. When the light is weak, please recharged immediately by USB interface.
3. The red light is on during chargeing and off when full.
4. It can continue for 10 hours after charged completely.



#### Specification parameter

1. Color temperature: 3800 k
2. Power: 1.5w
3. Battery capacity:2200 MA/H ( 18650 of 1 section )
4. The time of light on : 10-12 hours

**Warning: Changes or modifications to this unit not expressly approved by the party responsible for compliance could void the user's authority to operate the equipment.**

**easyhelpservice@yahoo.com**