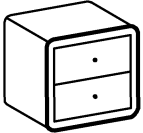

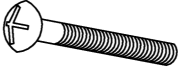
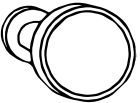

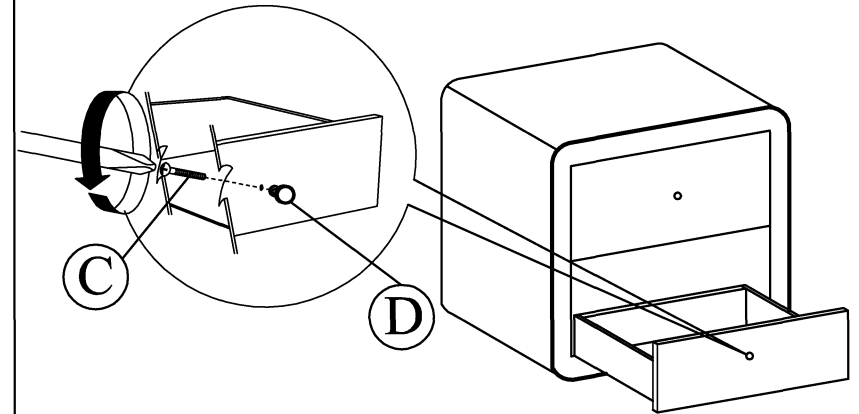
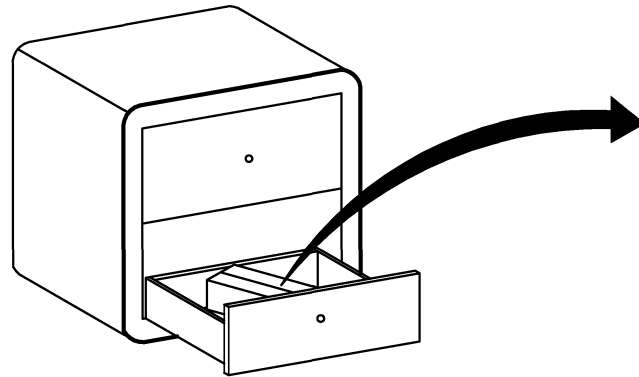


Step 1 :- Take out the small carton to assemble !

Step 2 : Attach the handle (D) by using handle screw (C).

NO.	PART LIST	QTY
	NIGHT STAND	
A		1 PC
B	 LEG	4 PCS
C	 HANDLE SCREW	2 PCS
D	 HANDLE	2 PCS
E	 NO 35 Washers	4 PCS



Step 3: Tighten the legs (B) to night stand (A) as shown.

