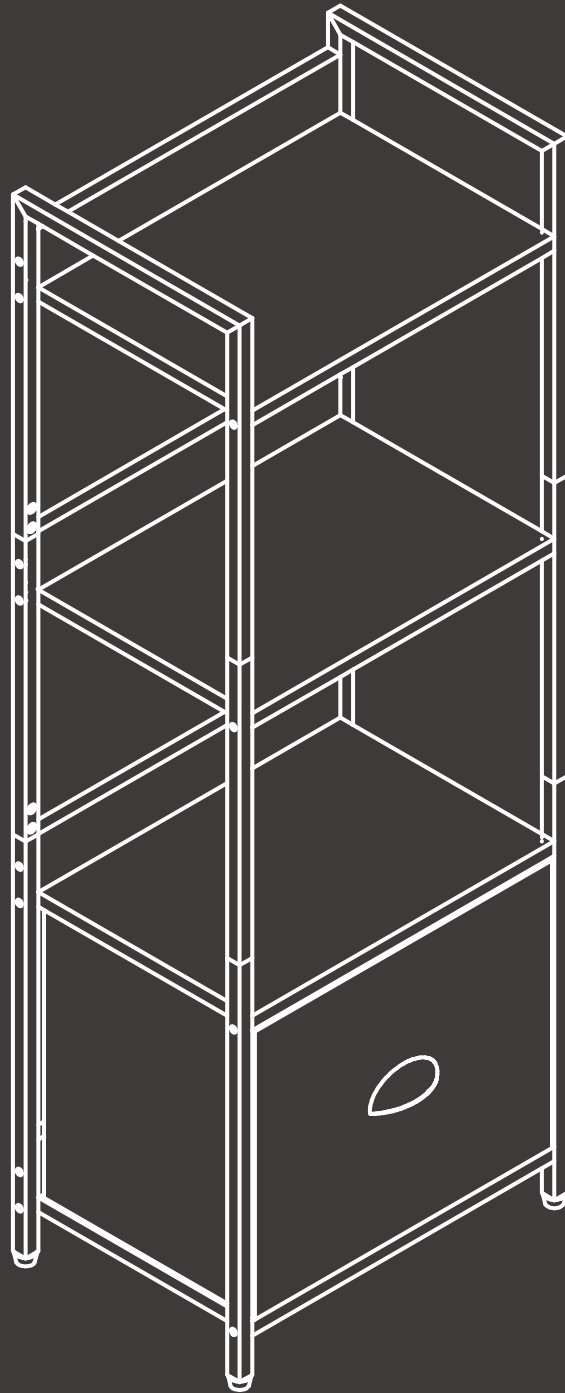
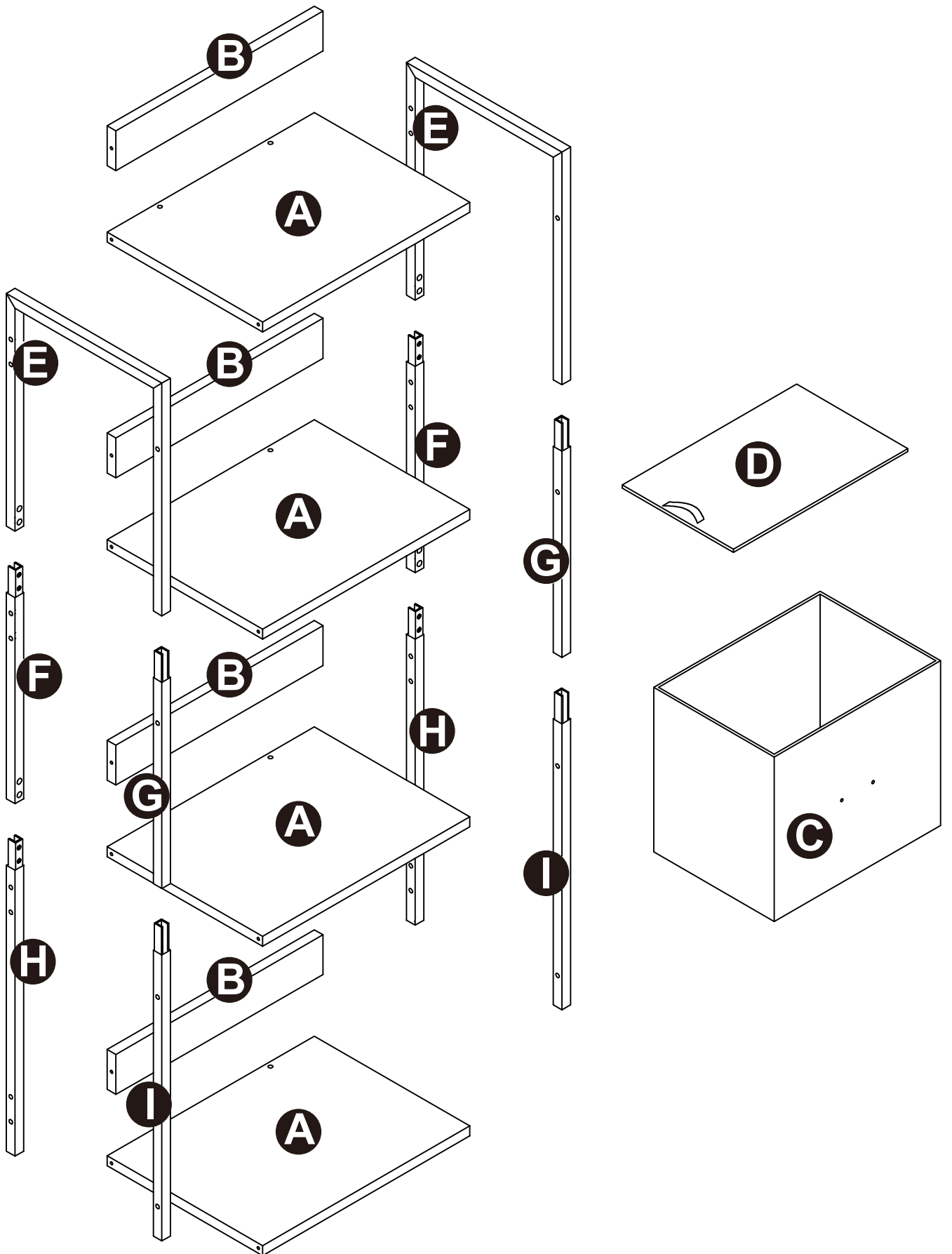


Bookcase

Instruction Manual

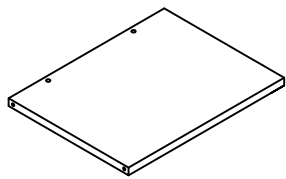


1 Exploded View

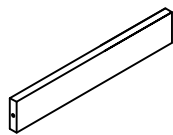


2 Parts List

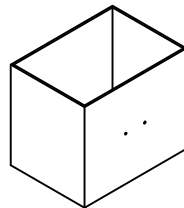
A X4



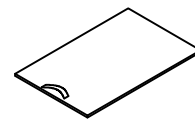
B X4



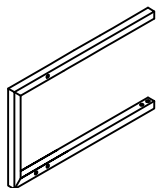
C X1



D X1



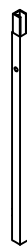
E X2



F X2



G X2



H X2



I X2



3 Hardware

1 X16



M6X12mm

2 X32



ST7X38mm

3 X2



M4X6mm

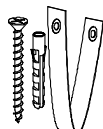
4 X1



5 X4



6 X2



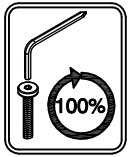
7 X1






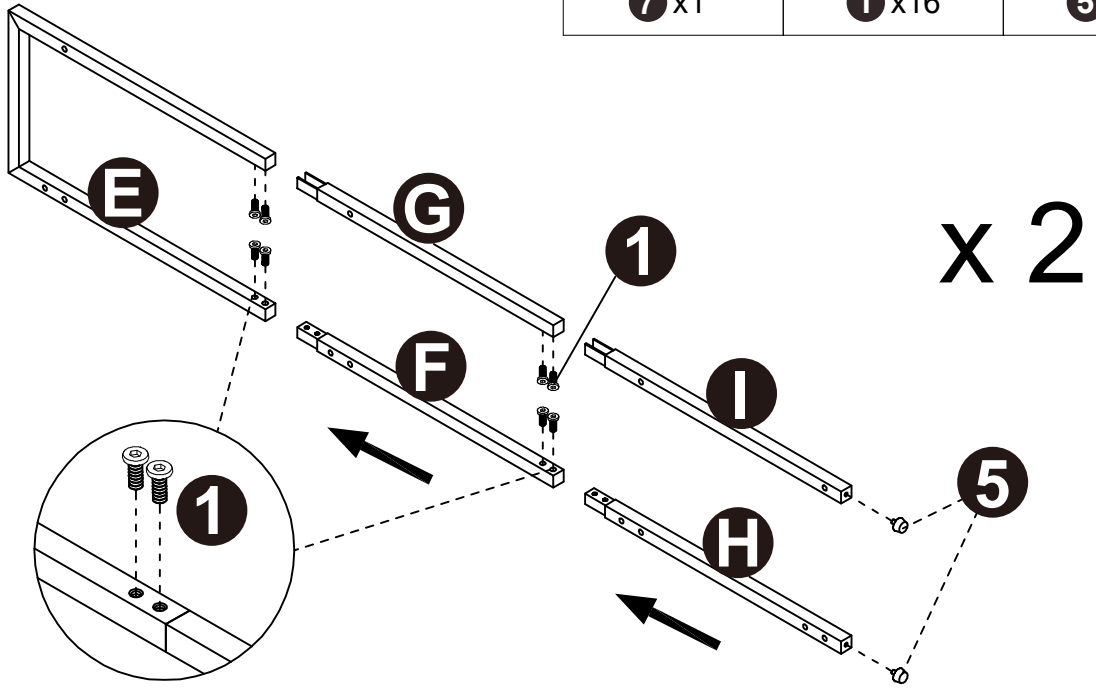
S4

4 Assembly Instruction

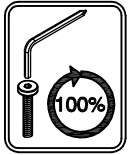
Step 1





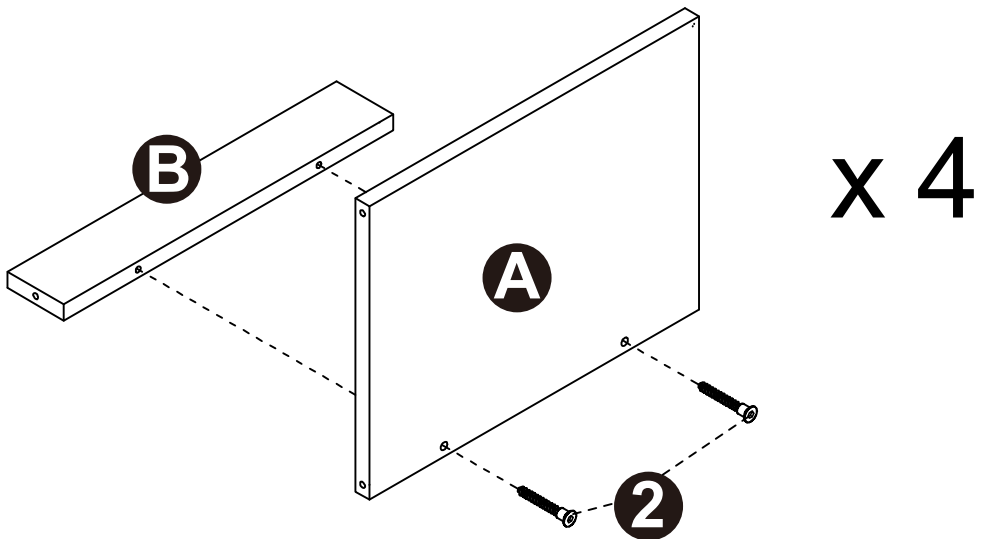
 7 x1	M6X12mm  1 x16	 5 x4
---	--	--



Step 2





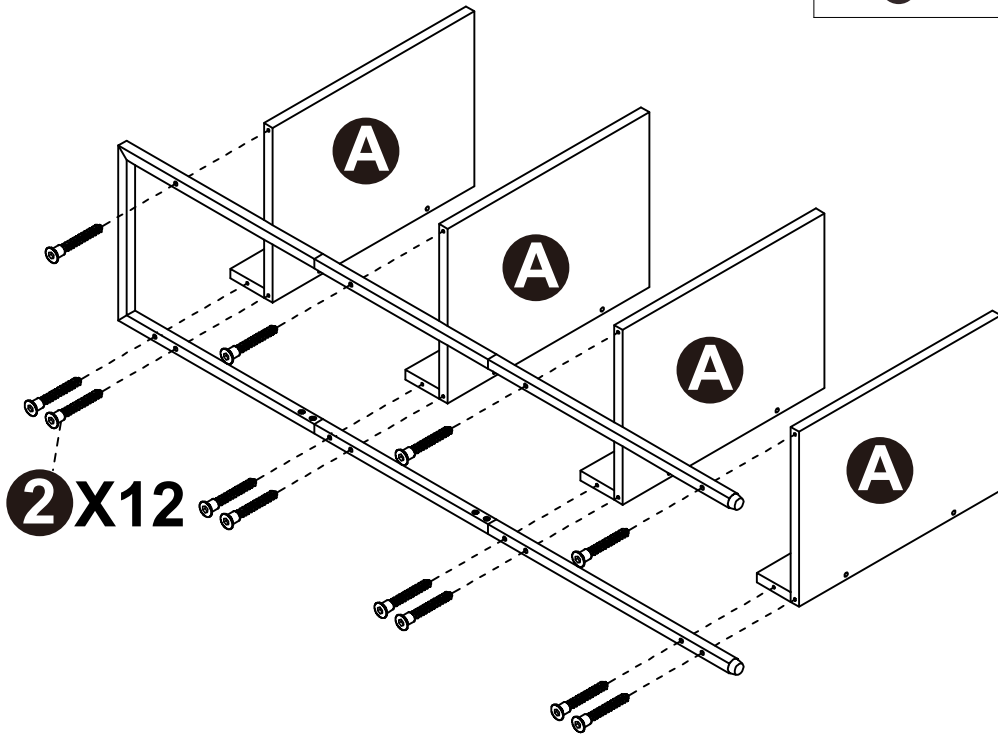
 7 x1	ST7X38mm  2 x8
--	--



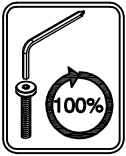
Step 3





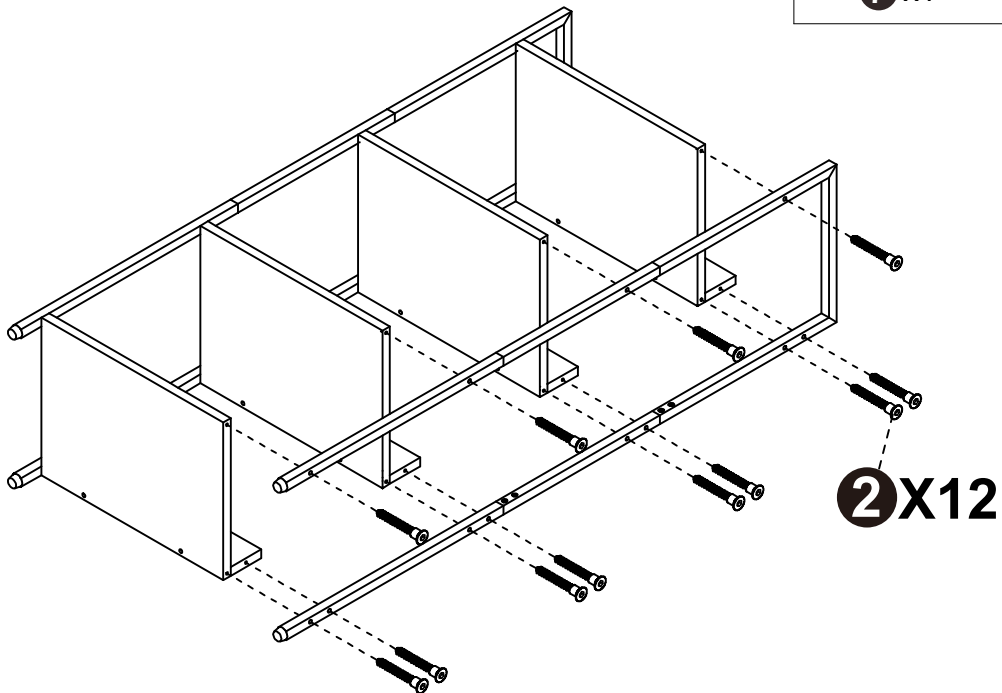
	ST7X38mm
7 x1	
	2 x12



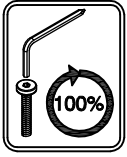
Step 4






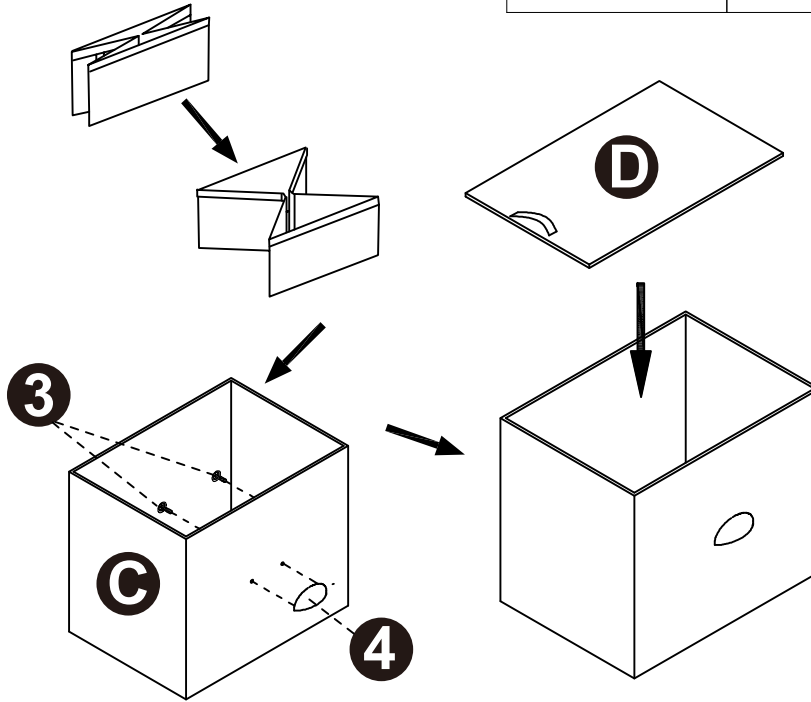
	ST7X38mm
7 x1	
	2 x12



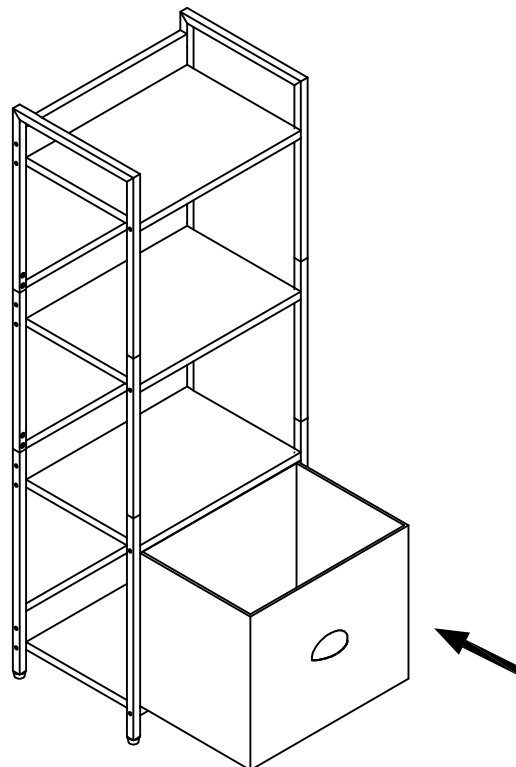
Step 5



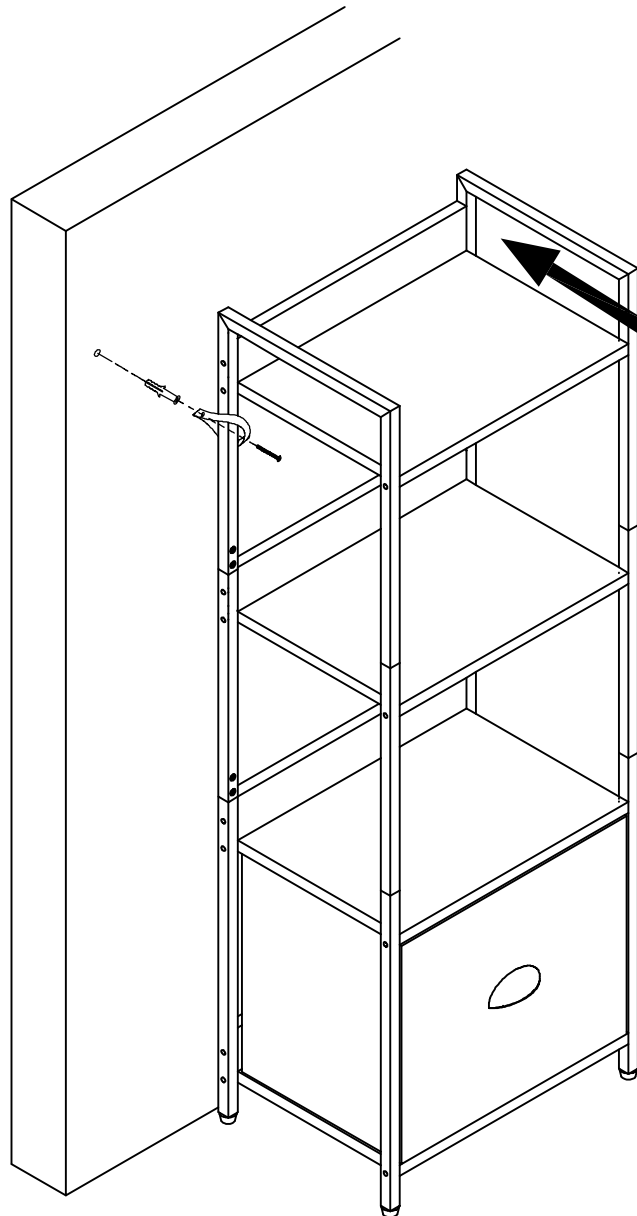
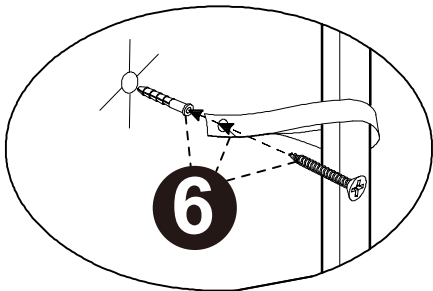
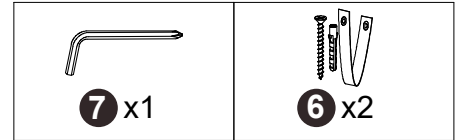
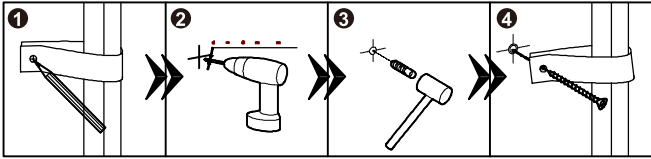
 7 x1	M4X6mm  3 x2	 4 x1
---	--	--



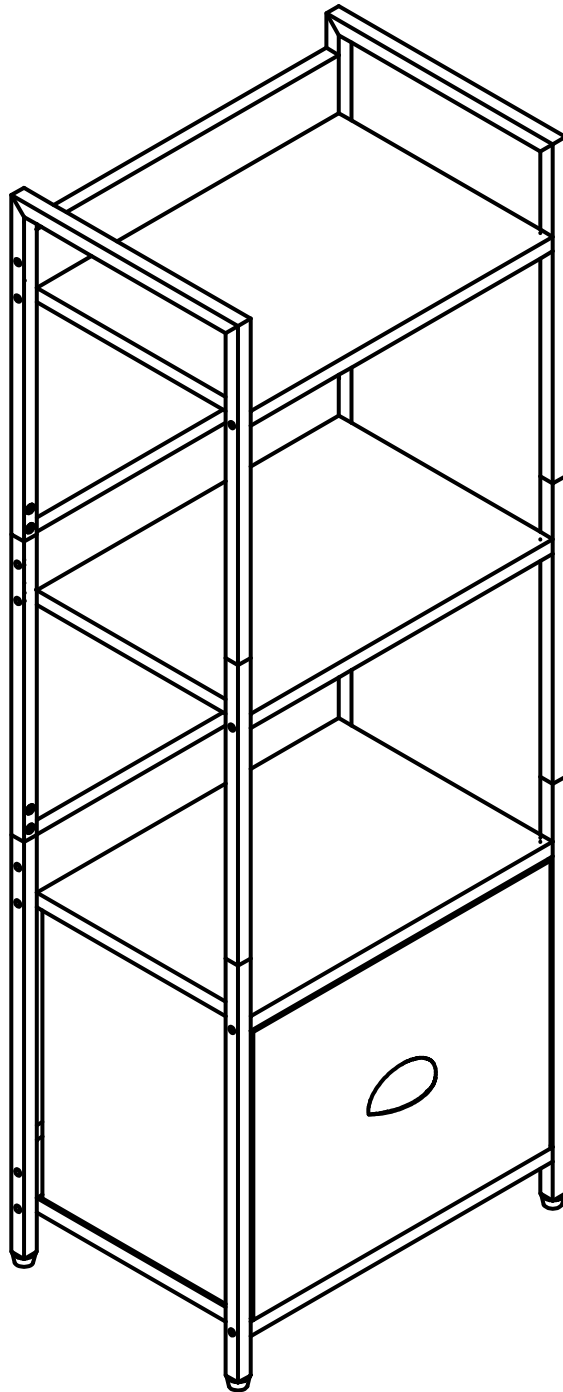
Step 6



Step 7



Install the other set on this side.



Thank you for choosing this product. We strive to provide you with the best quality products and service in the industry. Should you have any issues, please don't hesitate to contact us.