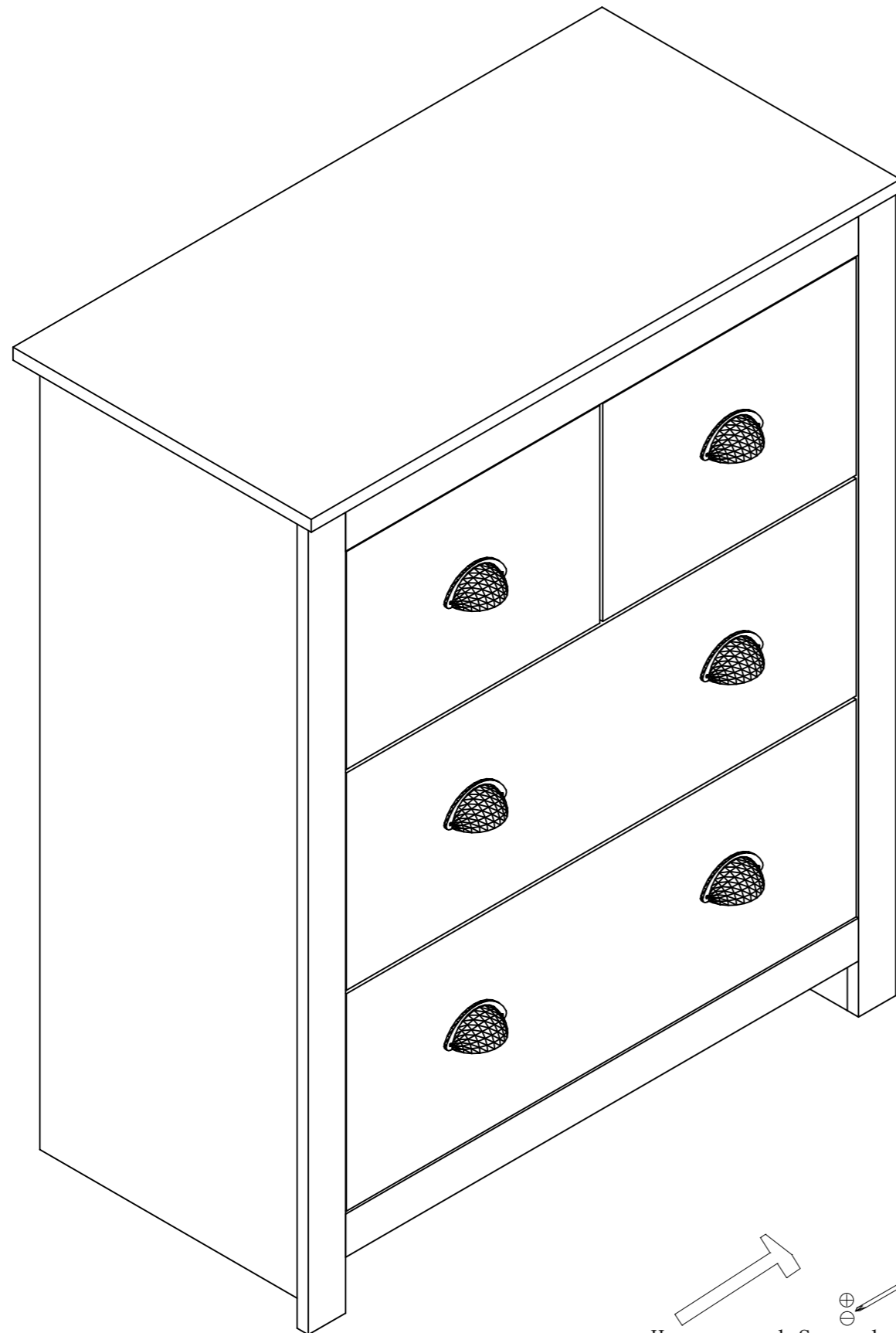
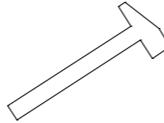

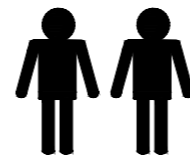


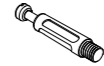








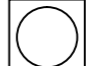


Assembly Instruction



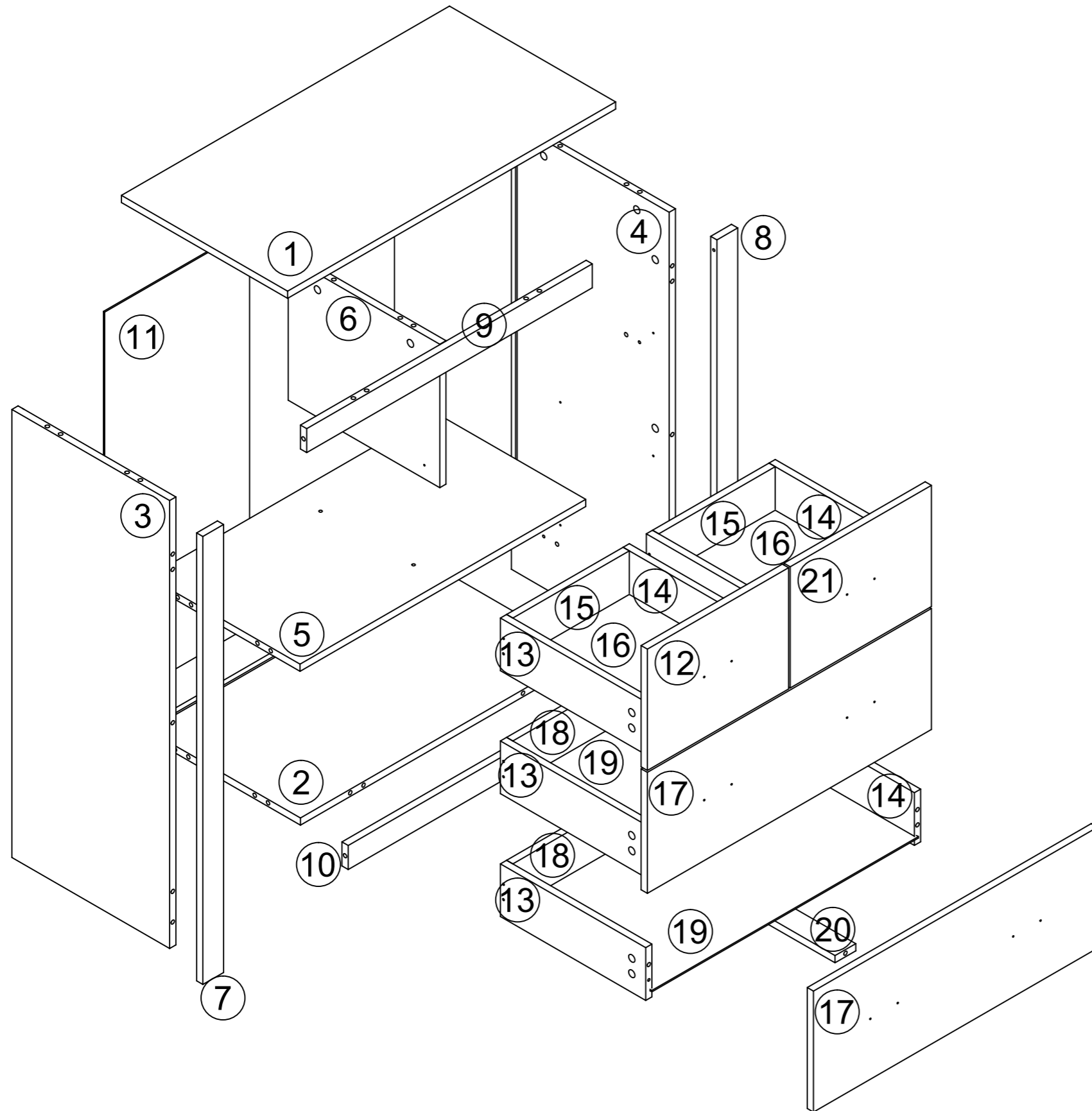



 Hammer and Screwdriver
 are not included !!



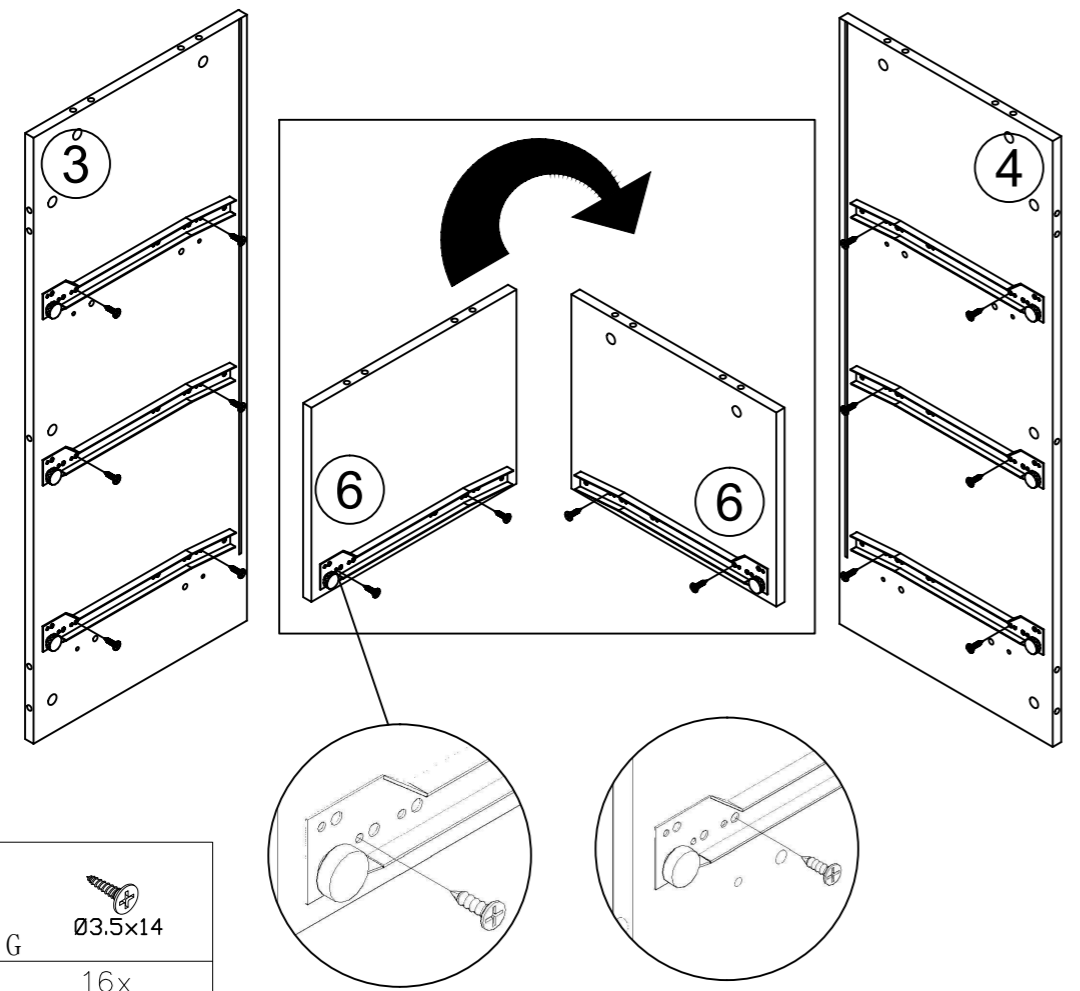
NO.	QTY.	LINEDRAWING
(A)	48	
(B)	48	
(C)	22	
(D)	2	
(E)	16	
(F)	6	
(G)	52	
(H)	4	
(I)	4	
(J)	48	
(K)	20	
(L)	2	

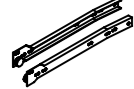

PARTS LIST



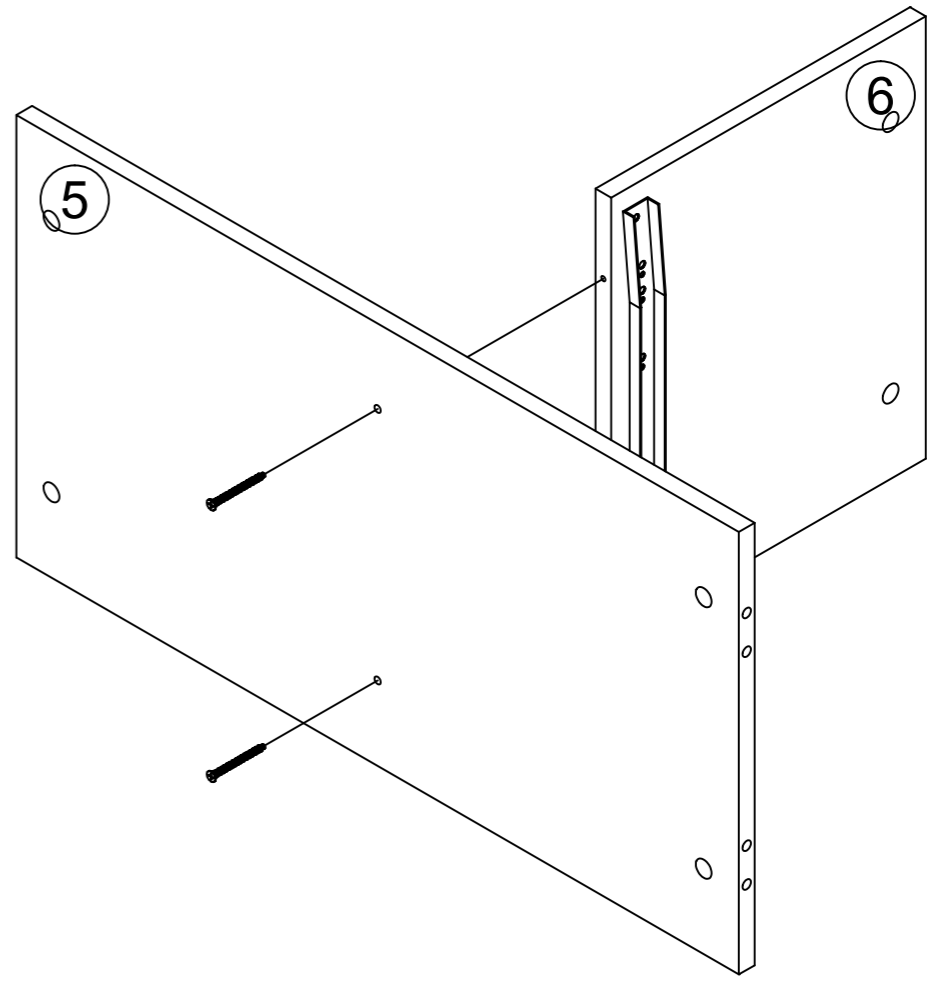
NO.	QTY.	NO.	QTY.
①	1	②①	1
②	1		
③	1		
④	1		
⑤	1		
⑥	1		
⑦	1		
⑧	1		
⑨	1		
⑩	1		
⑪	1		
⑫	1		
⑬	4		
⑭	4		
⑮	2		
⑯	2		
⑰	2		
⑱	2		
⑳	2		

1



H	G
	
4x	Ø3.5x14 16x

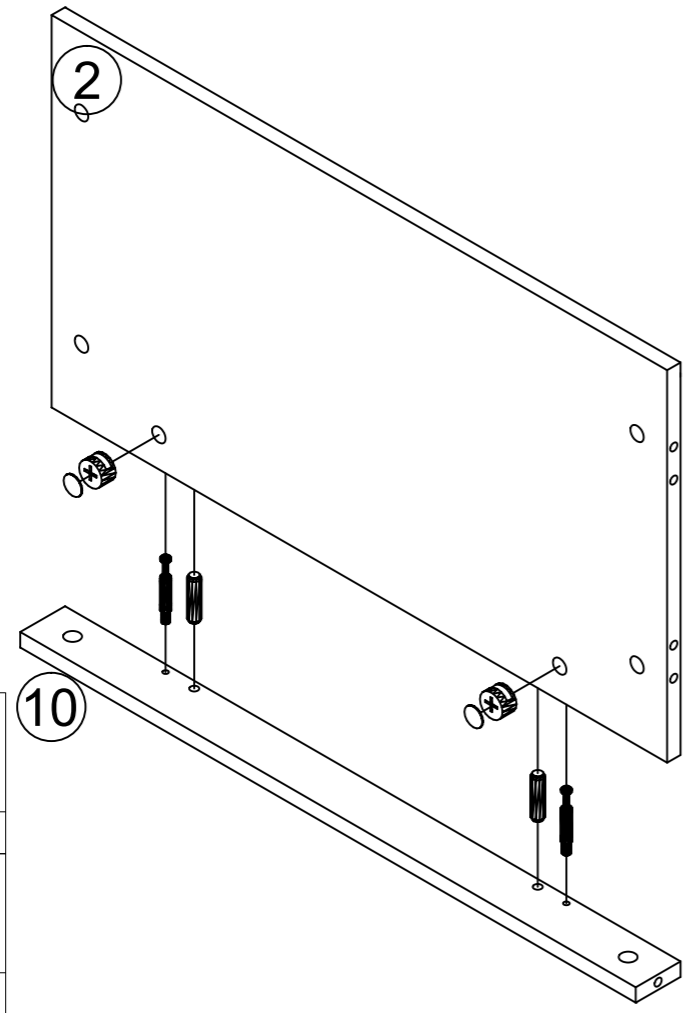
2

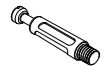

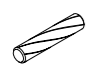
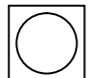


D

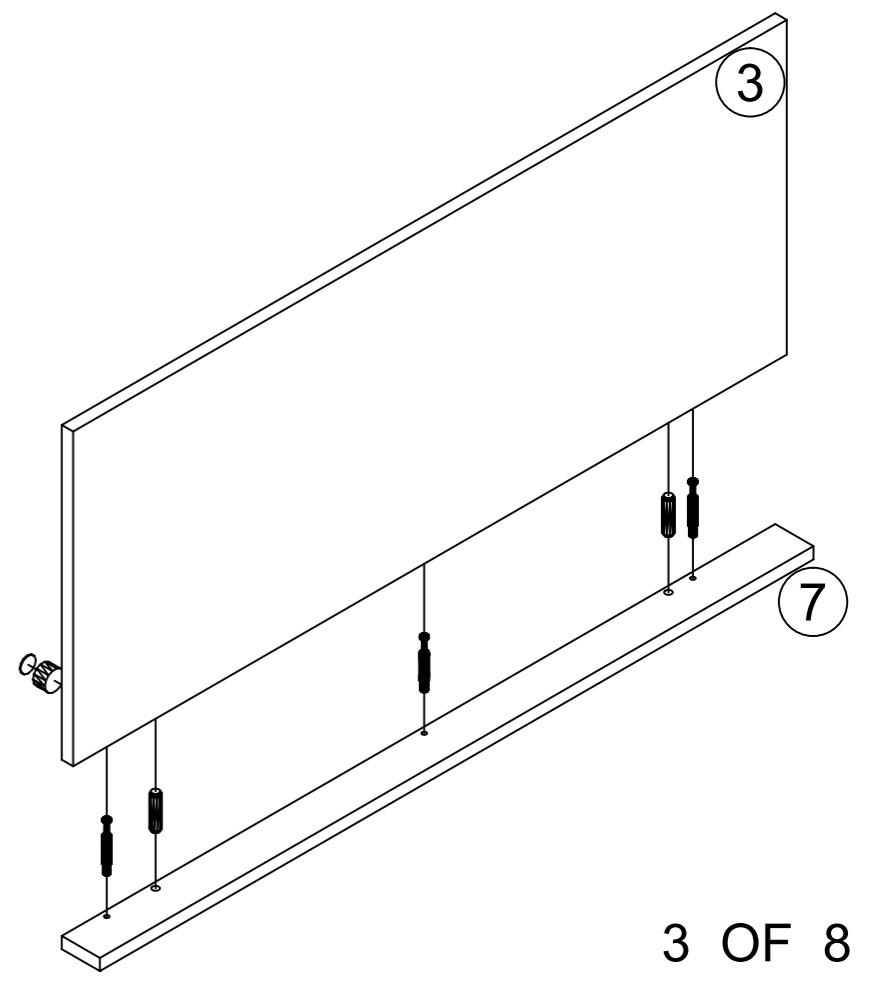
Ø5x40 2x




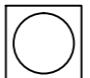
3



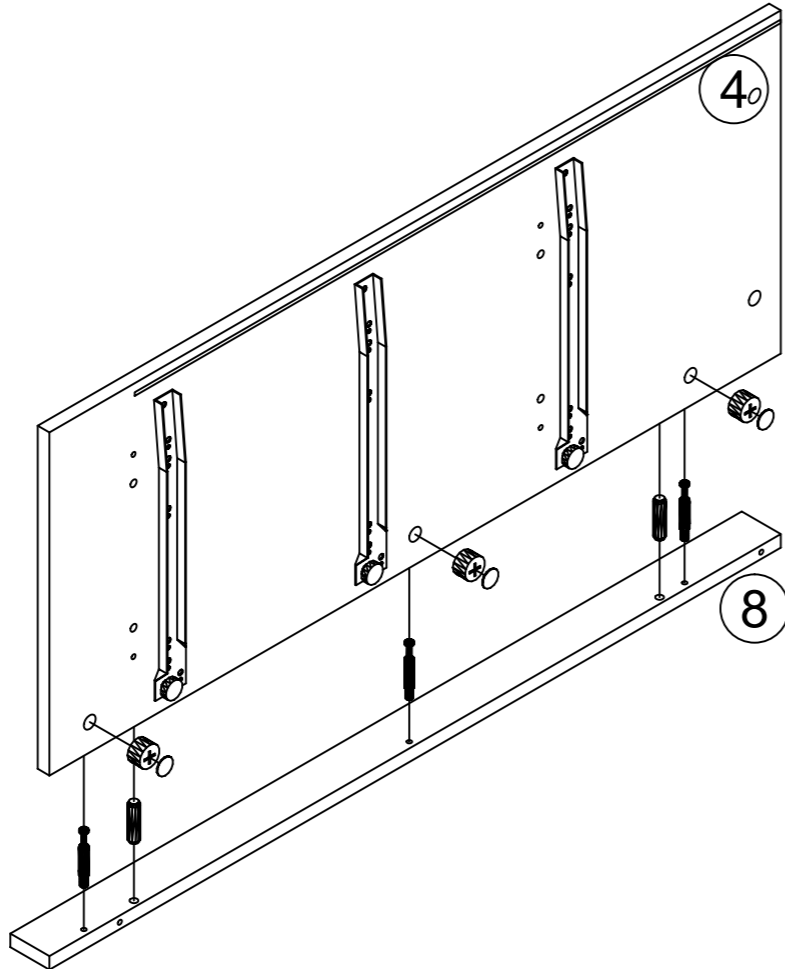
A	B
	
2x	2x
C	J
	
2x	2x

4



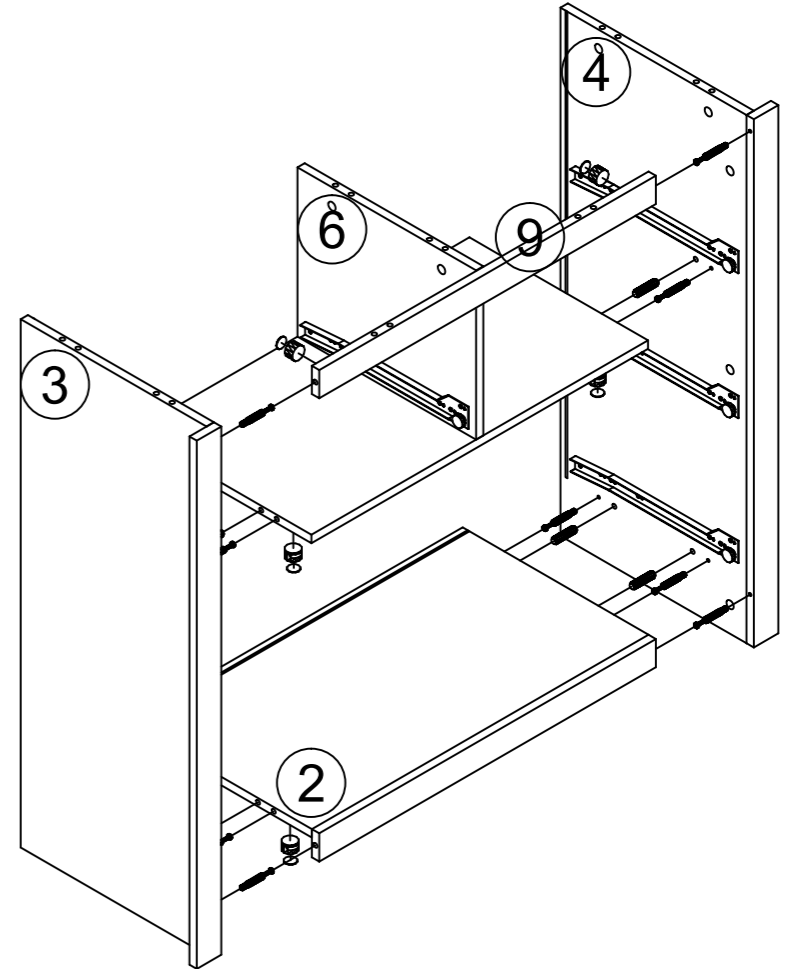
A	B
	
3x	3x
C	J
	
2x	3x

5



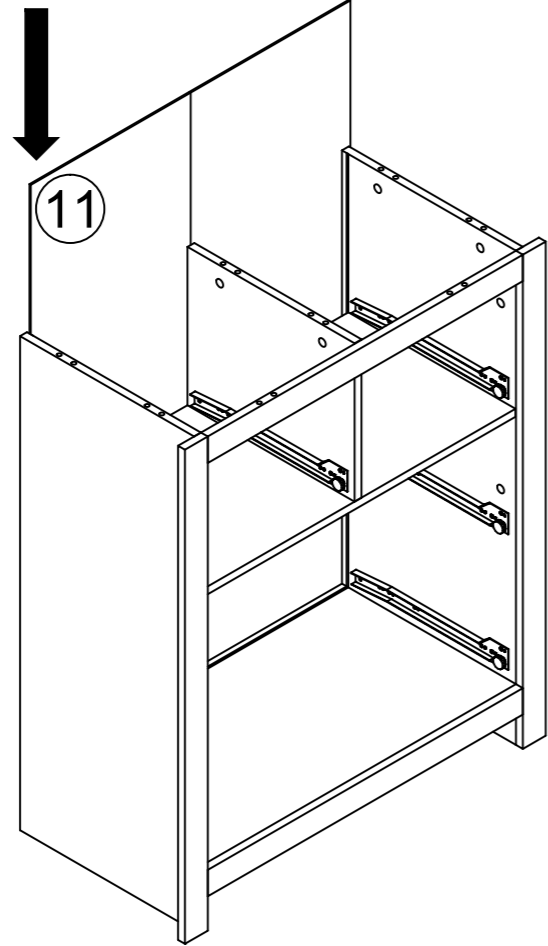
A 3x	B 3x
C 2x	J 3x

6

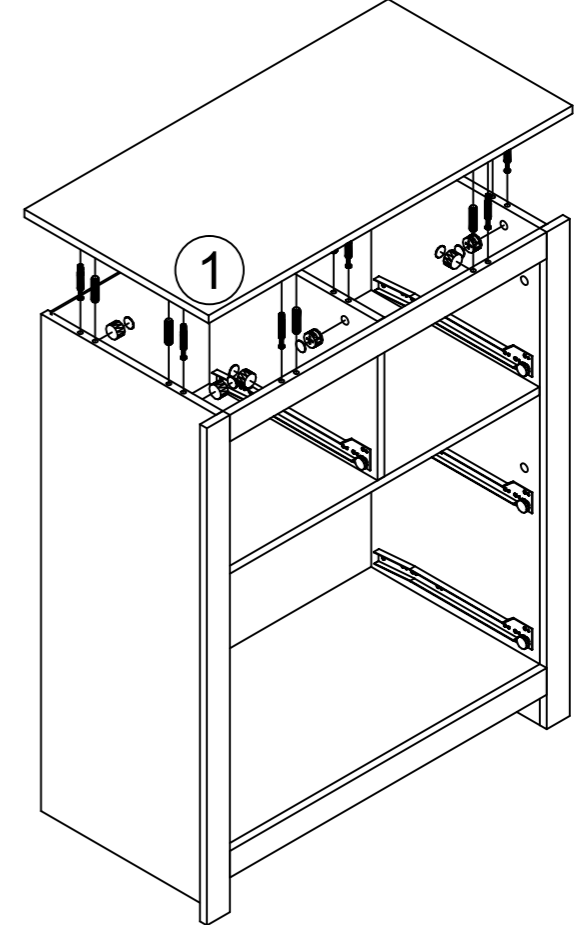


A 12x	B 12x
C 8x	J 12x

7

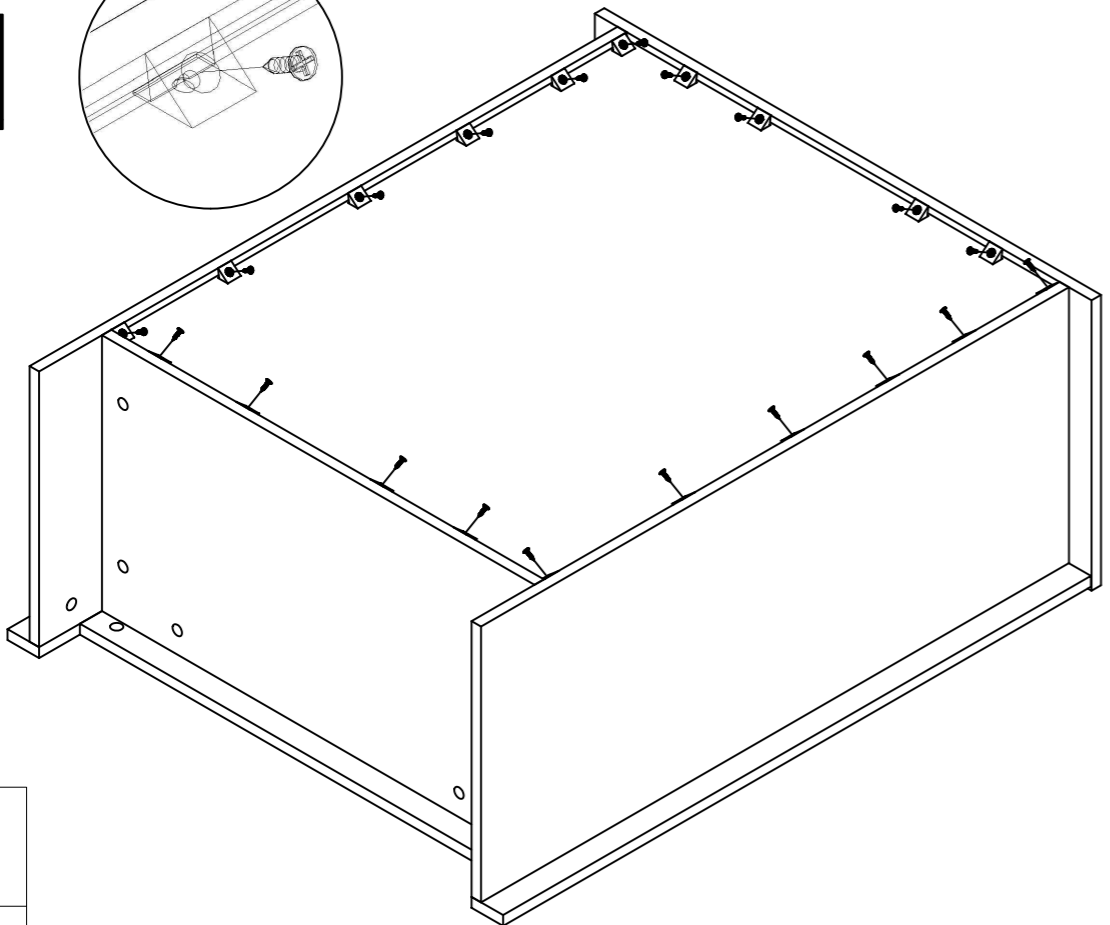
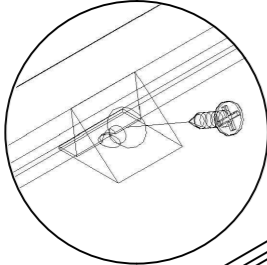


8



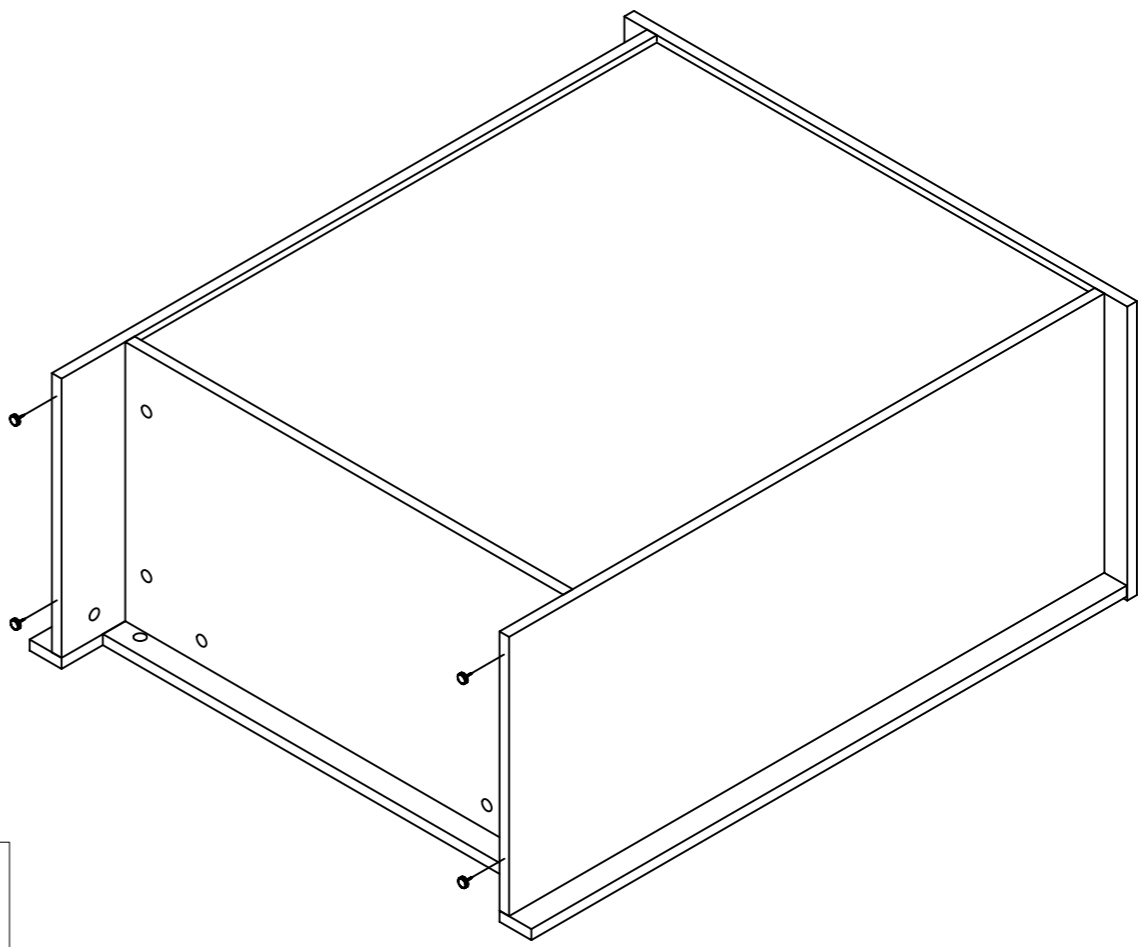
A 8x	B 8x
C 8x	J 8x

9



K
20x

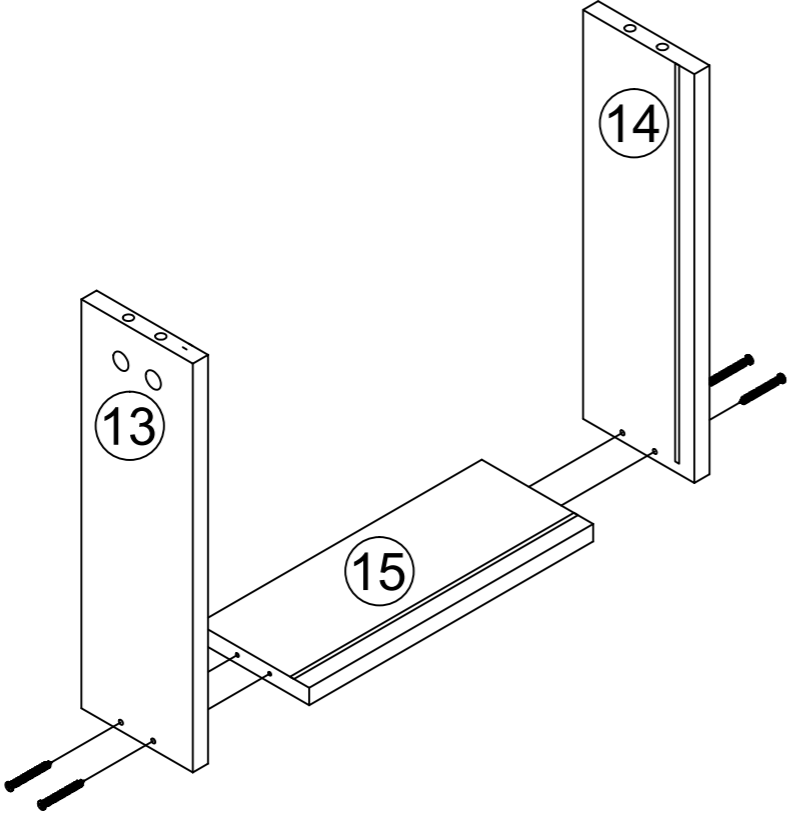
10



I
4x

11

X2

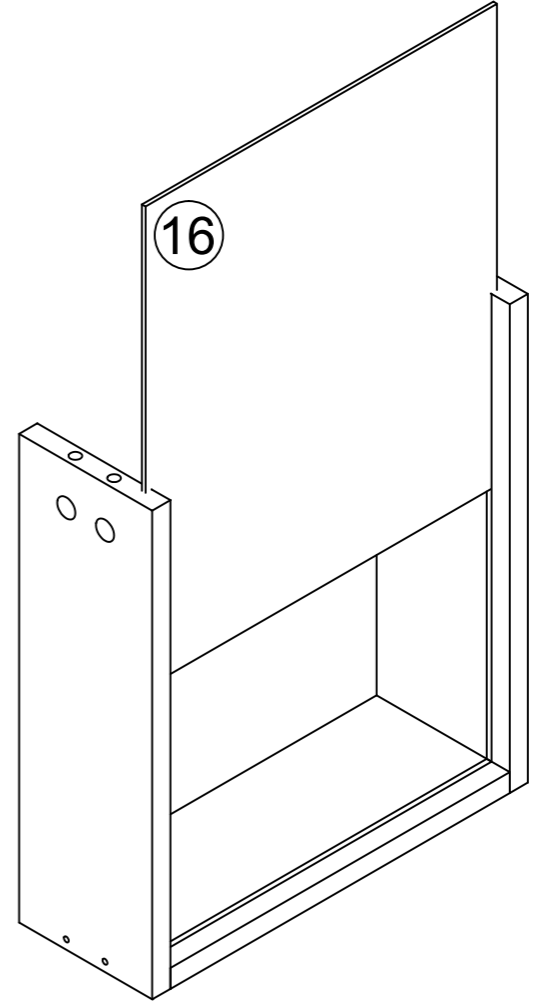


E
Ø3.5x35
8x

12

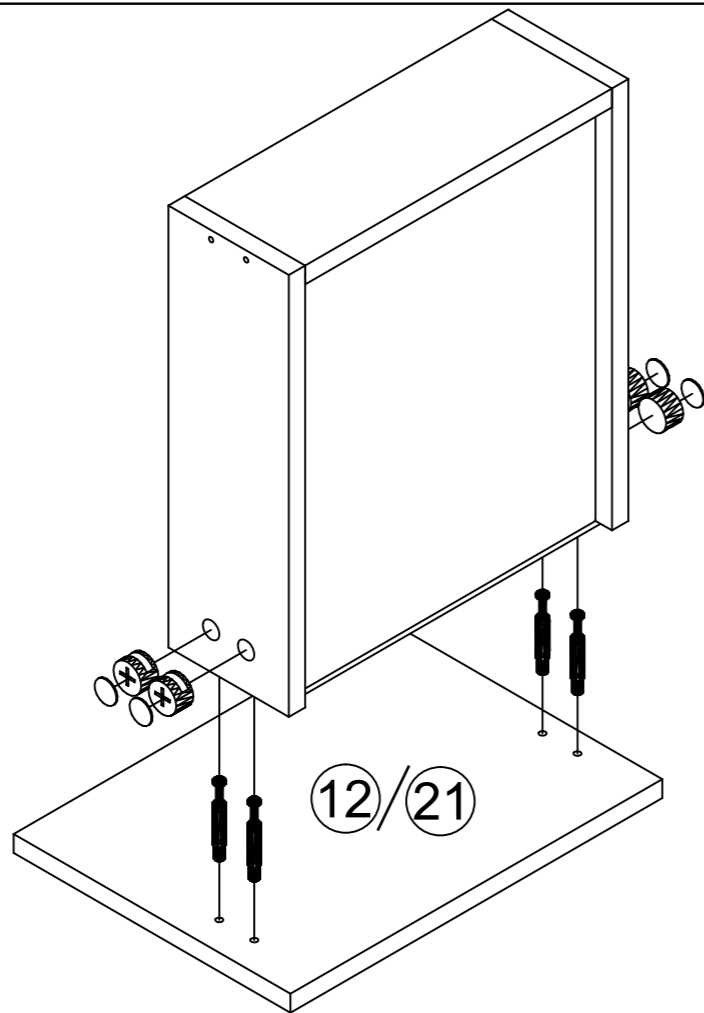


X2



13

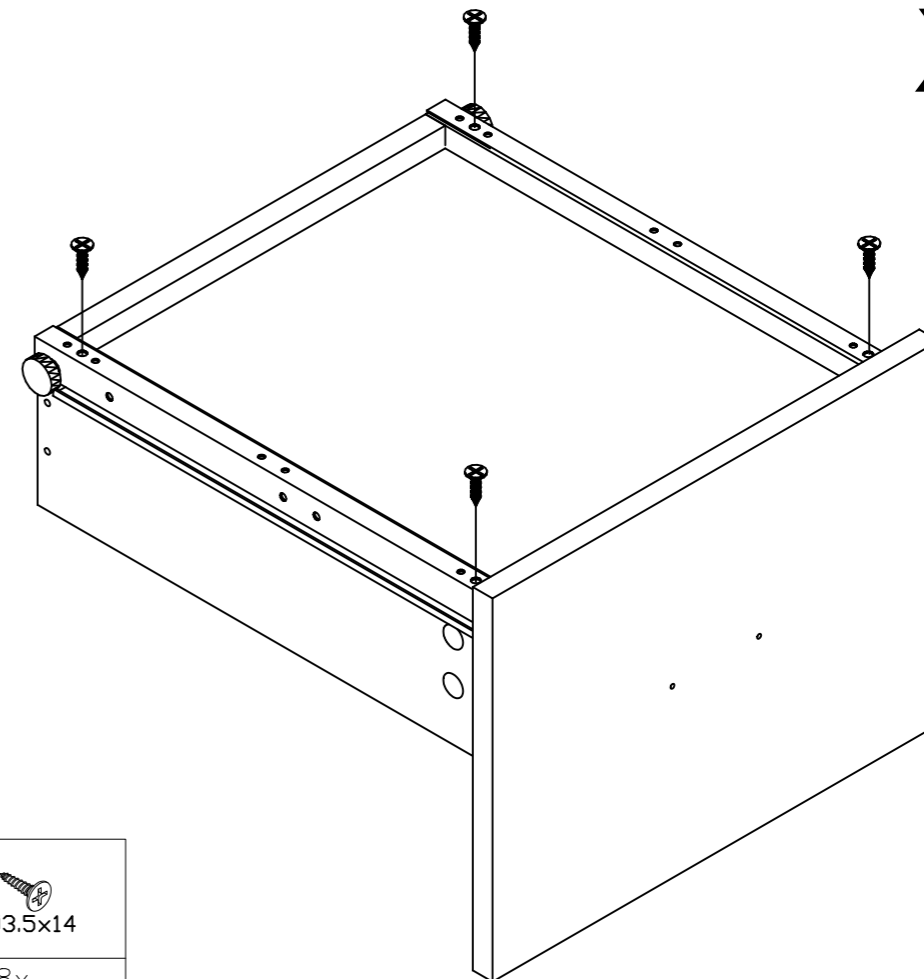
X2



A		8x
B		8x
J		8x

14

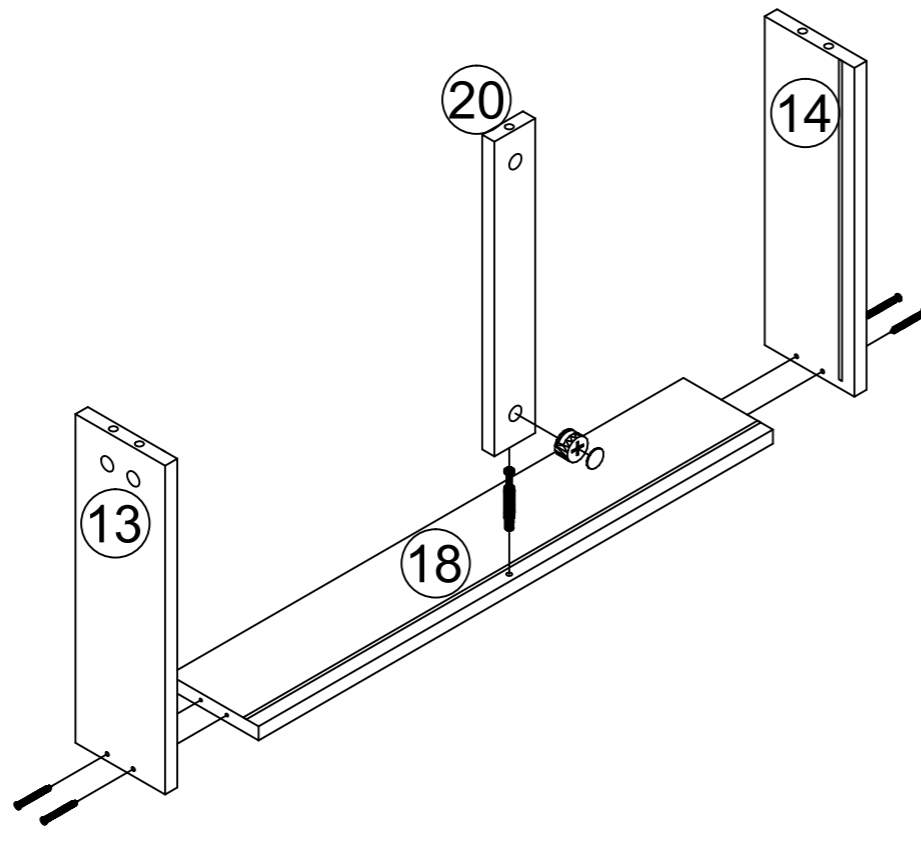
X2



H		4x
G		8x

15

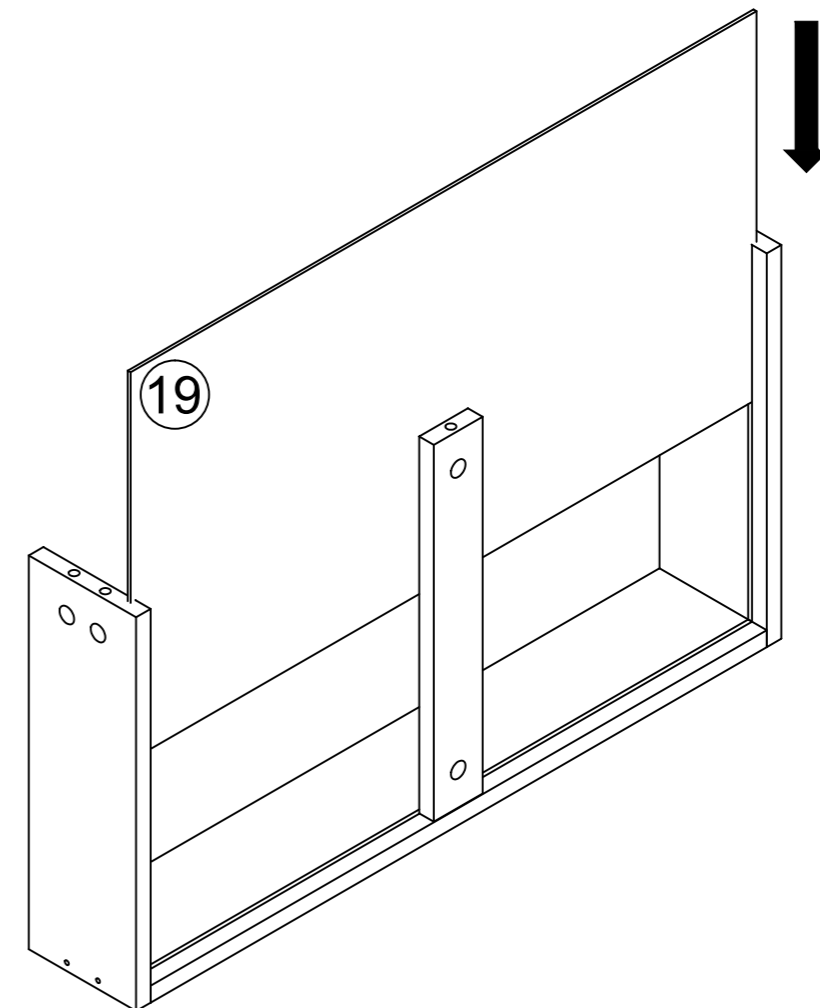
X2



A		2x
B		2x
K		8x
J		2x

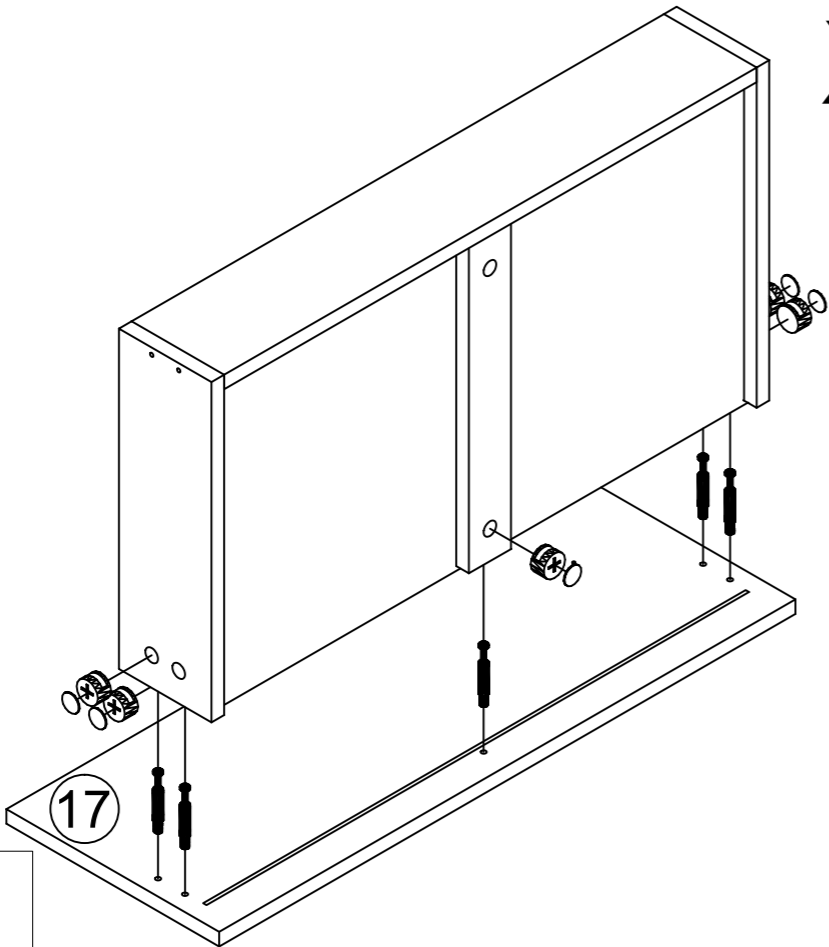
16

X2



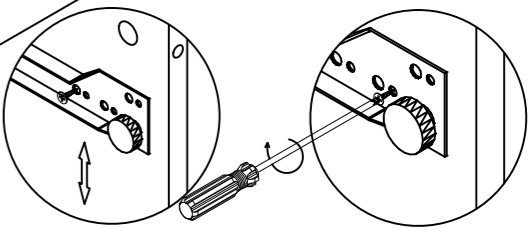
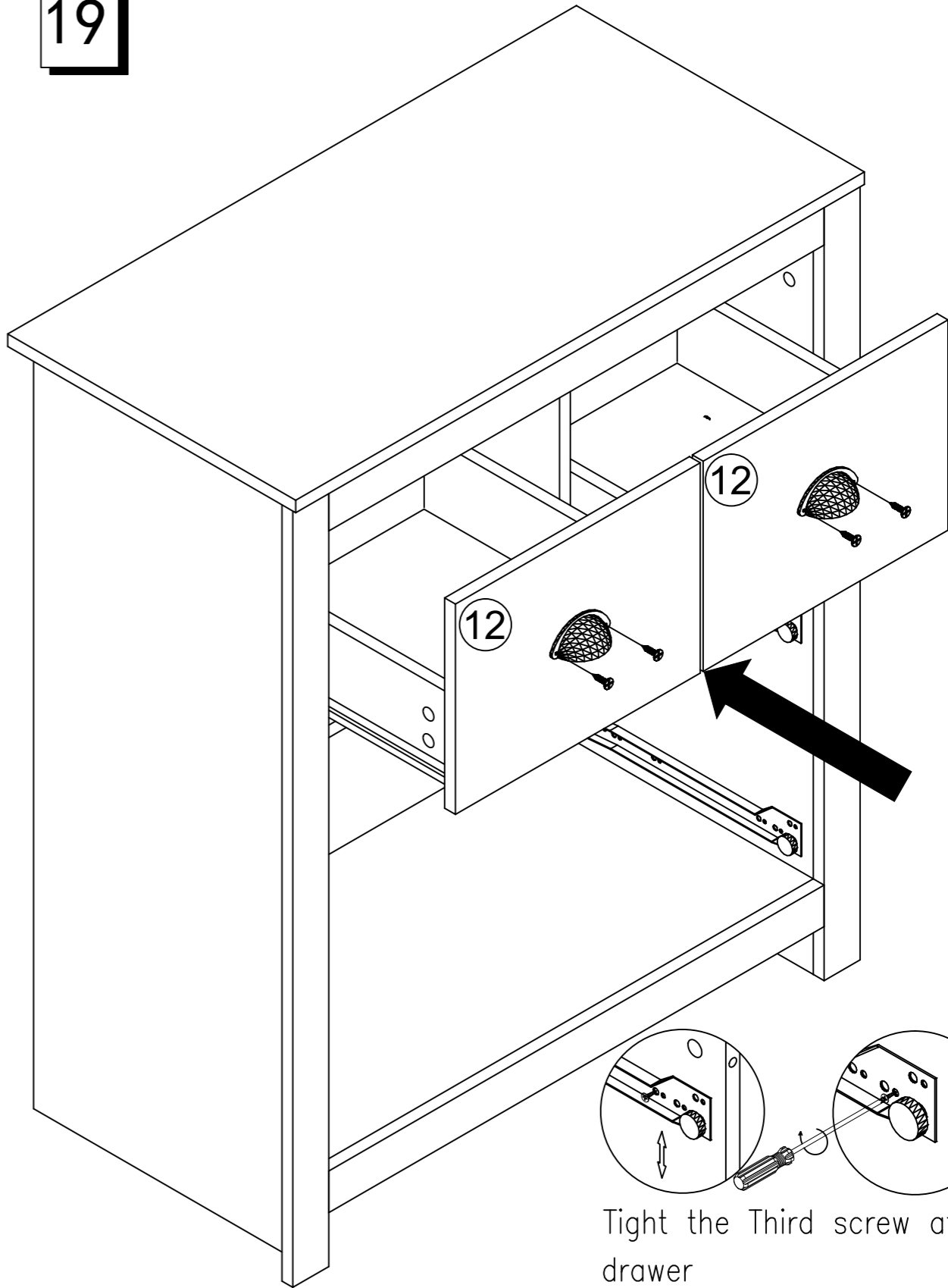
17

X2



A		10x
B		10x
J		10x

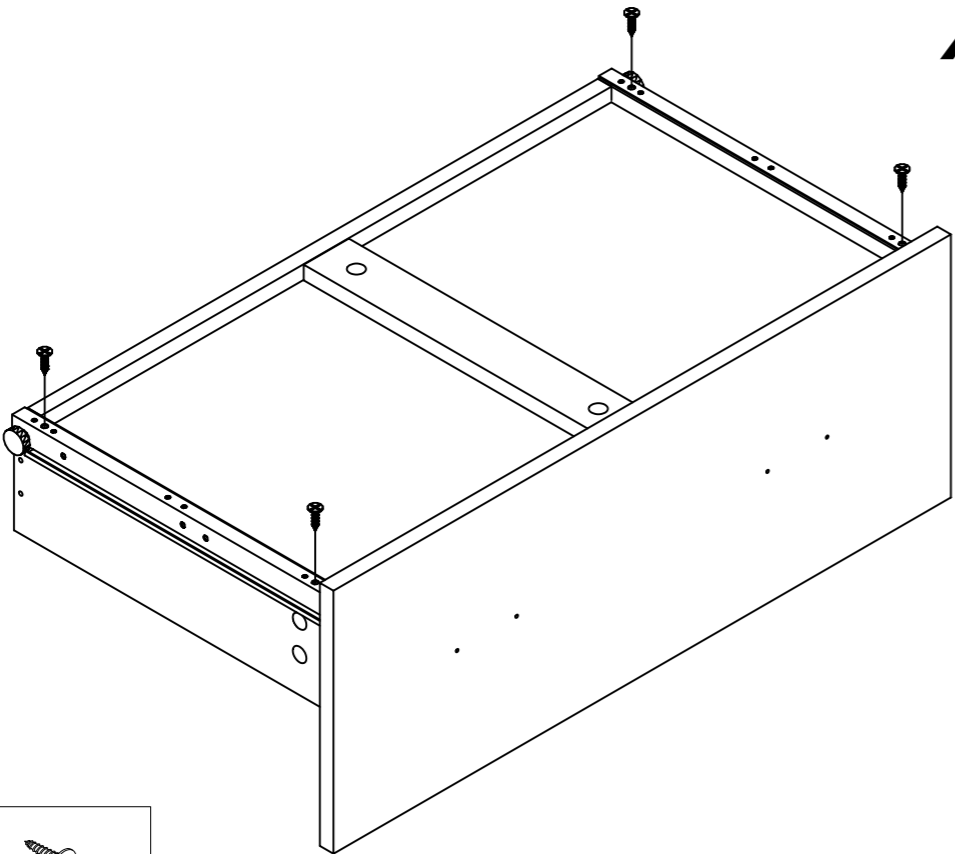
19



Tight the Third screw after drawer adjusted in a Suitable location.

18

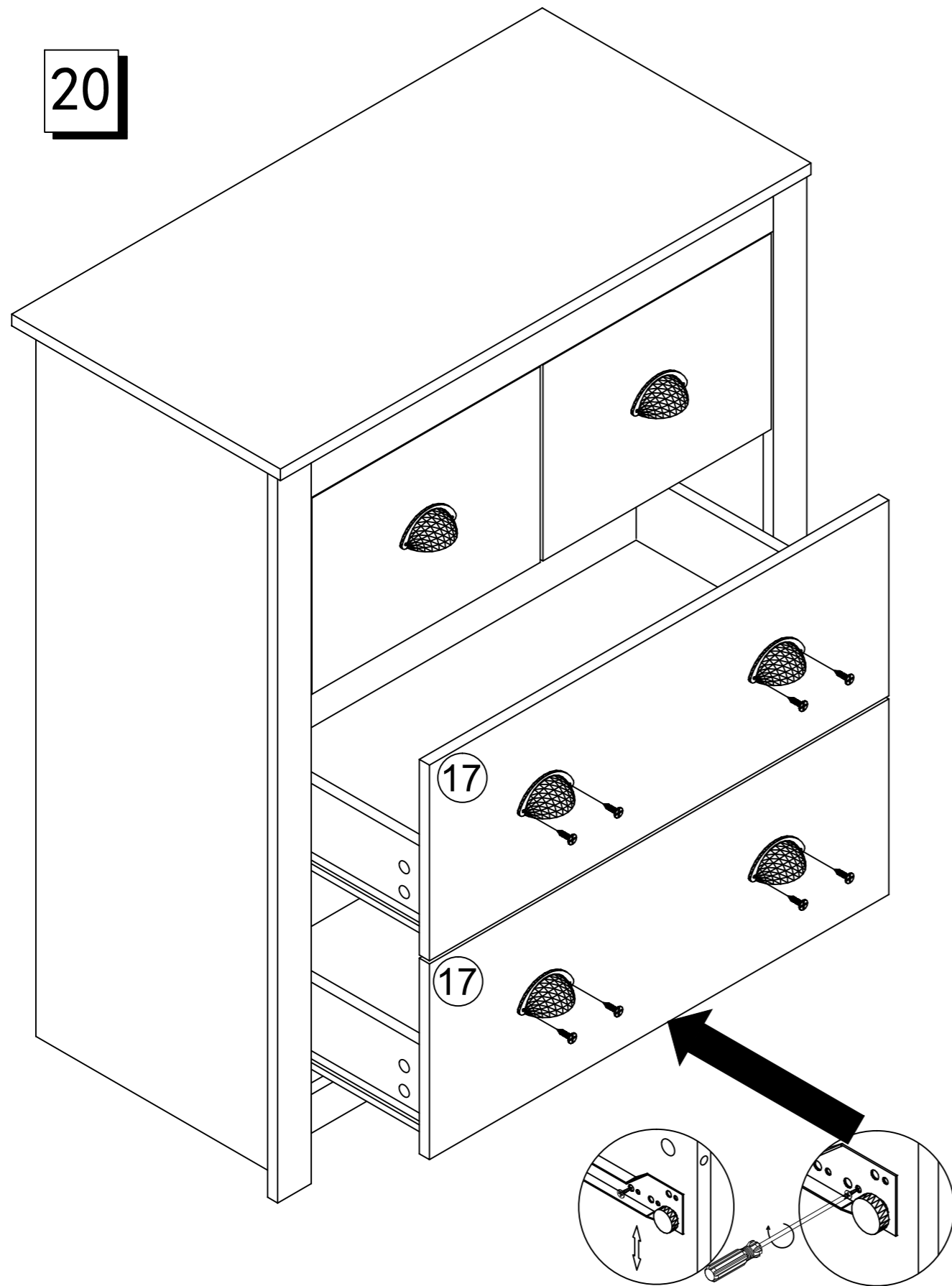
X2



H		4x
G		8x

F		2x
G		8x

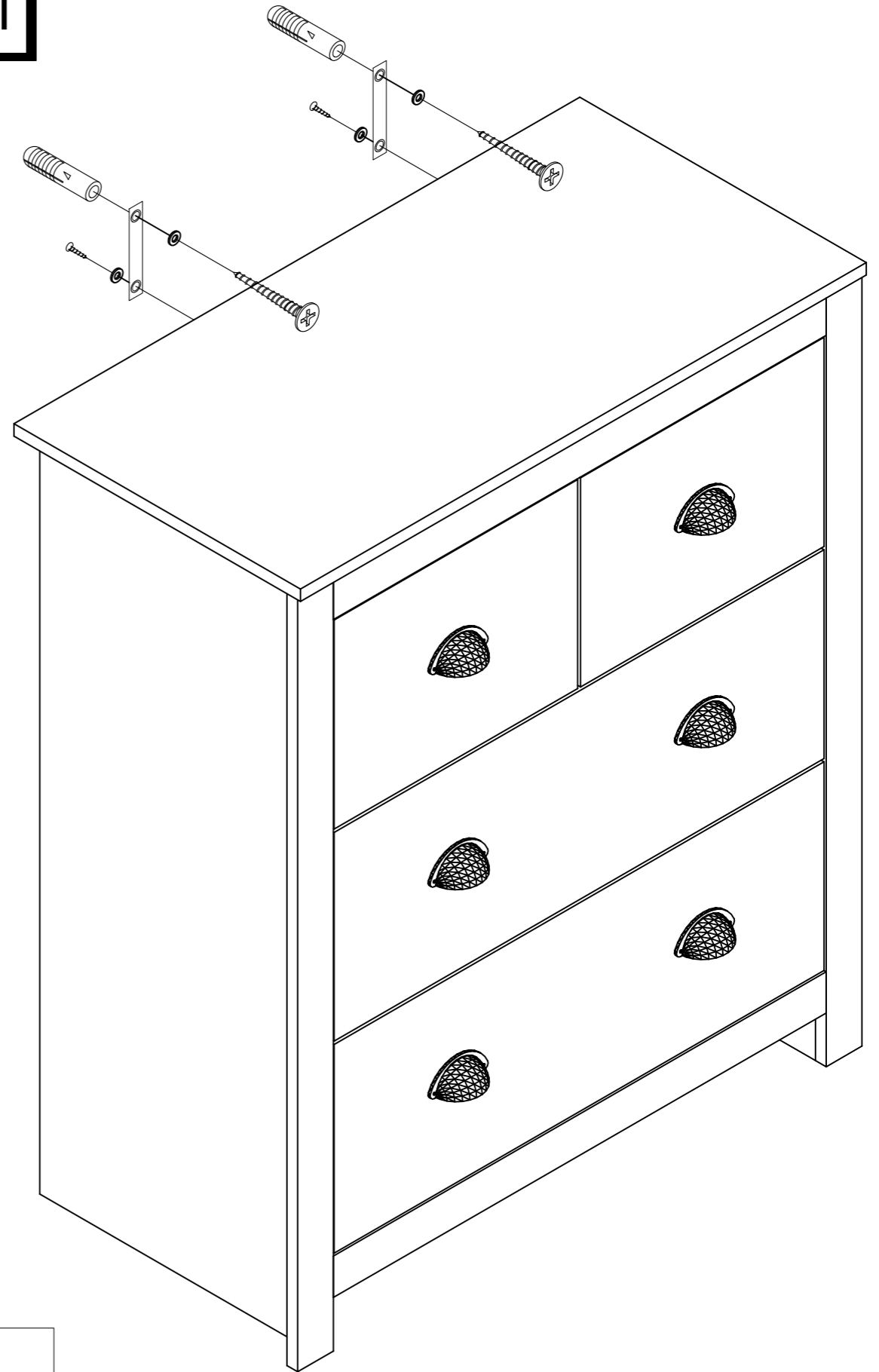
20



F	G
4x	12x

Tight the Third screw after drawer adjusted in a Suitable location.

21



L
2x