







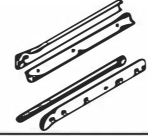




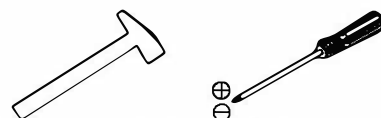
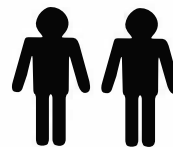


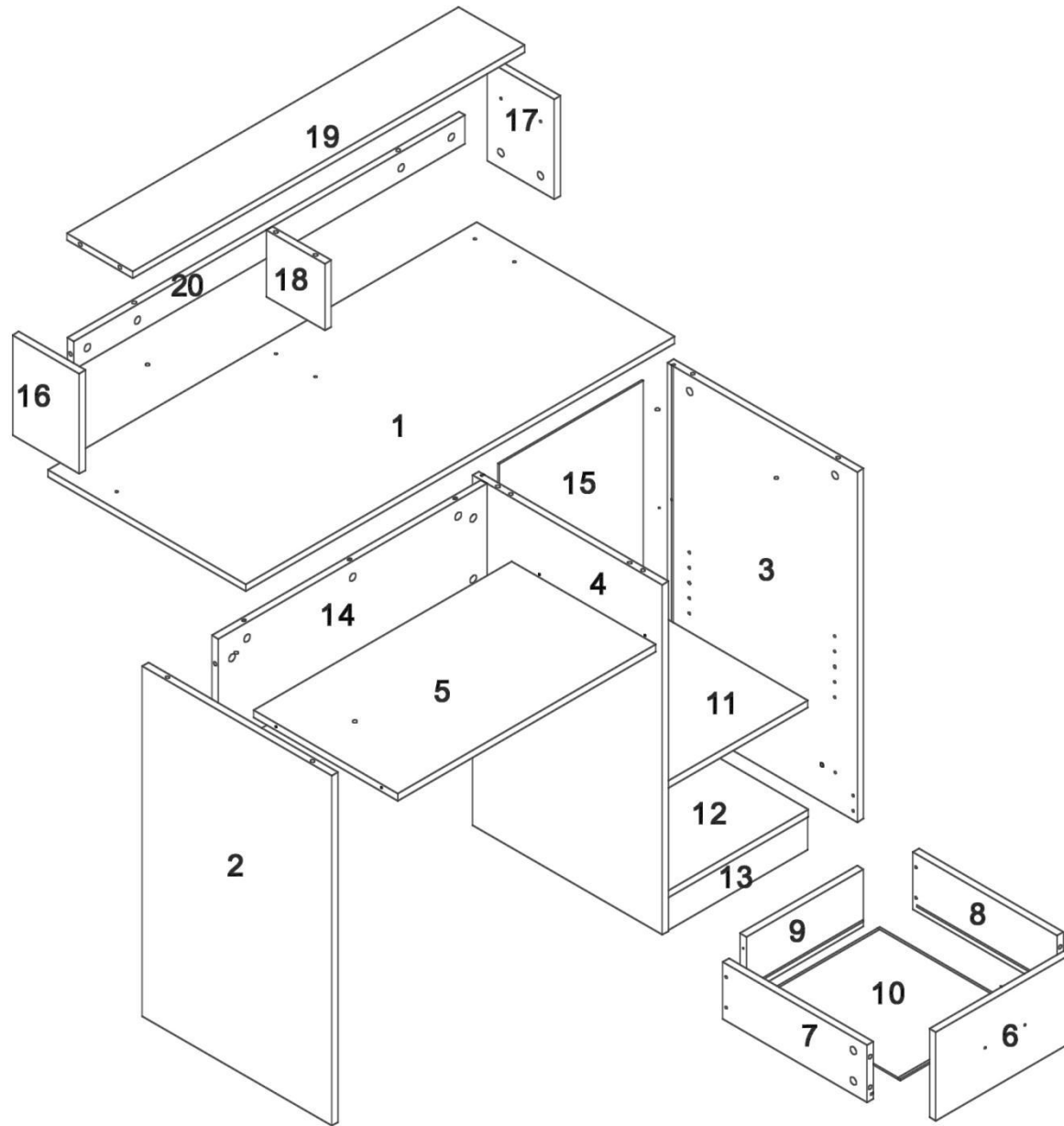
NO.	QTY.	LINEDRAWING	
(A)	42		F 7x41
(B)	42		F 15x11
(C)	20		F 8x30
(D)	1		
(E)	2		18mm
(F)	4		
(G)	16		F 3.5x14
(H)	4		F 3.5x30
(I)	1		350mm
(J)	42		F 20
(K)	6		
(L)	8		F 3x14
(M)	1		350mm



Hammer and Screwdriver
are not included !!



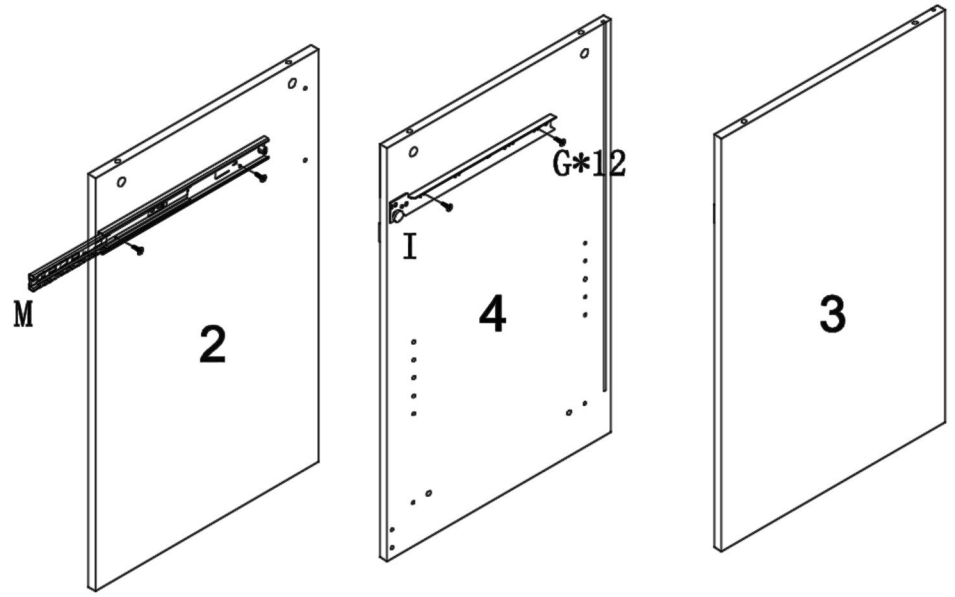
PARTS LIST


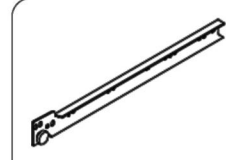



NO.	QTY.
①	1
②	1
③	1
④	1
⑤	1
⑥	1
⑦	1
⑧	1
⑨	1
⑩	1
⑪	1
⑫	1
⑬	1
⑭	1
⑮	1
⑯	1
⑰	1
⑱	1
⑳	1

1

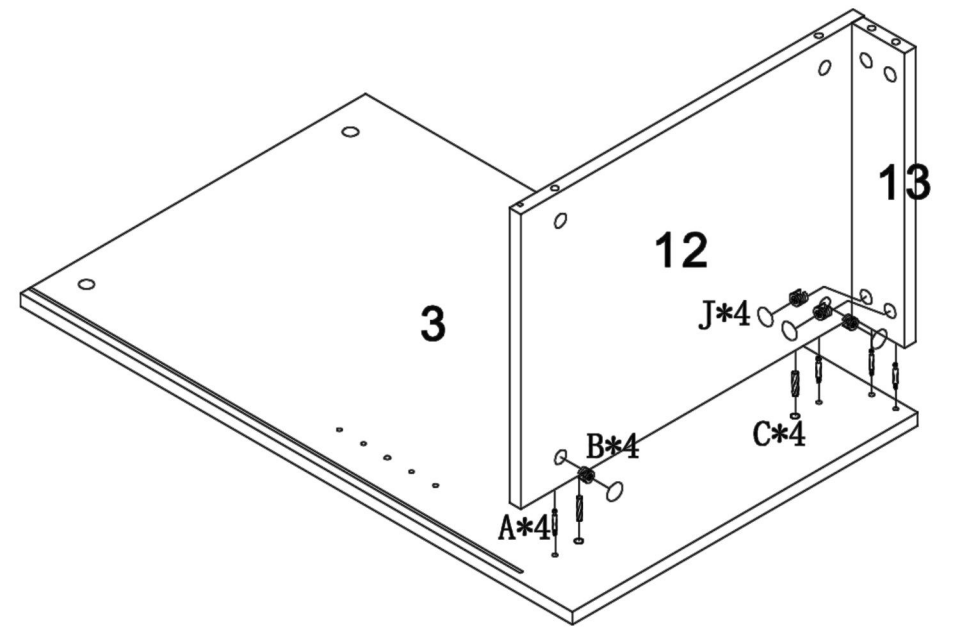
Attach rails(M&I) to panel (2&4) with screw(G)

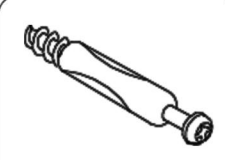

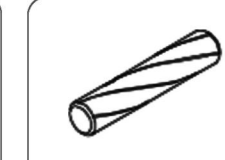



-  (M) x1
-  (I) x1
-  (G) x12

2

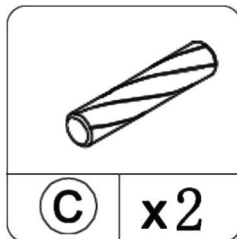
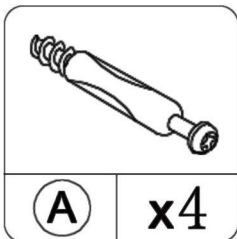
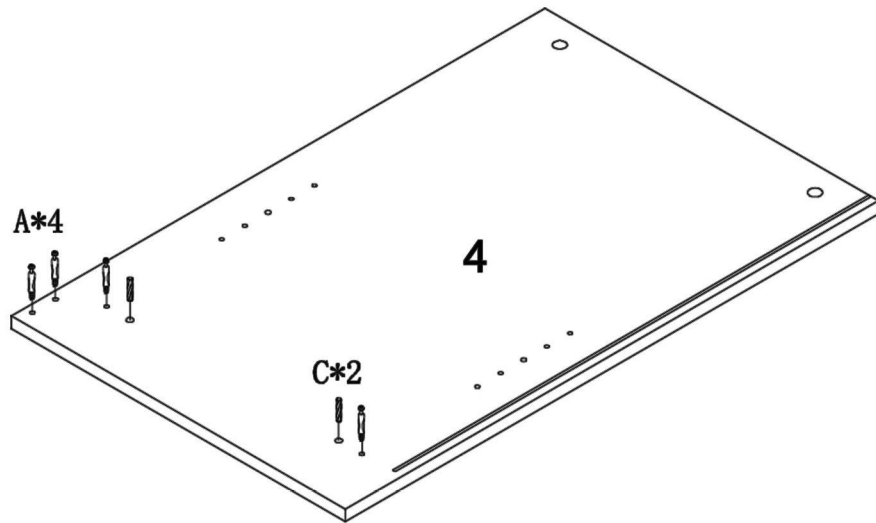
Insert wood dowels into panel (3), screw cam bolts into panel (3), attach panel(12&13) to panel(3) with cam locks.



-  (A) x4
-  (B) x4
-  (C) x4
-  (J) x4

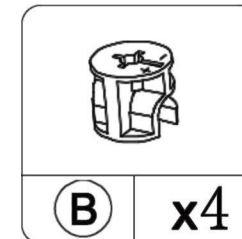
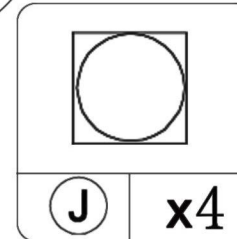
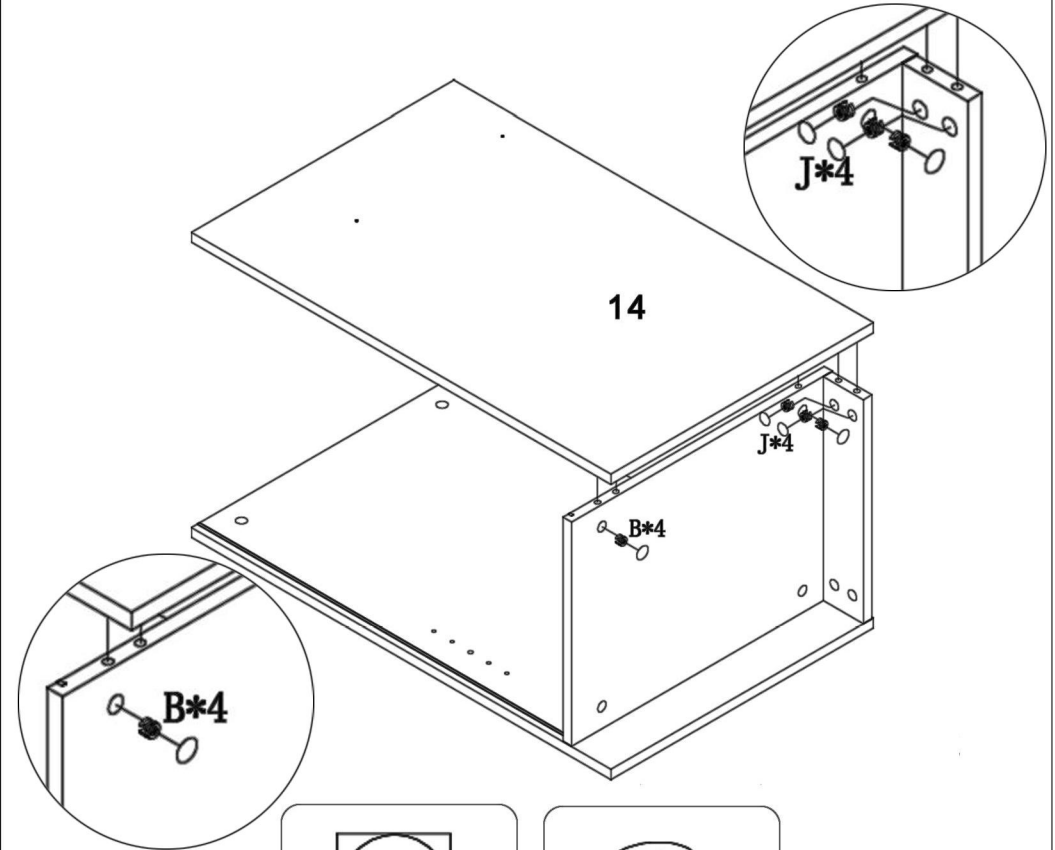
3

Insert wood dowels and screw cam bolts on panel(4)
as below.



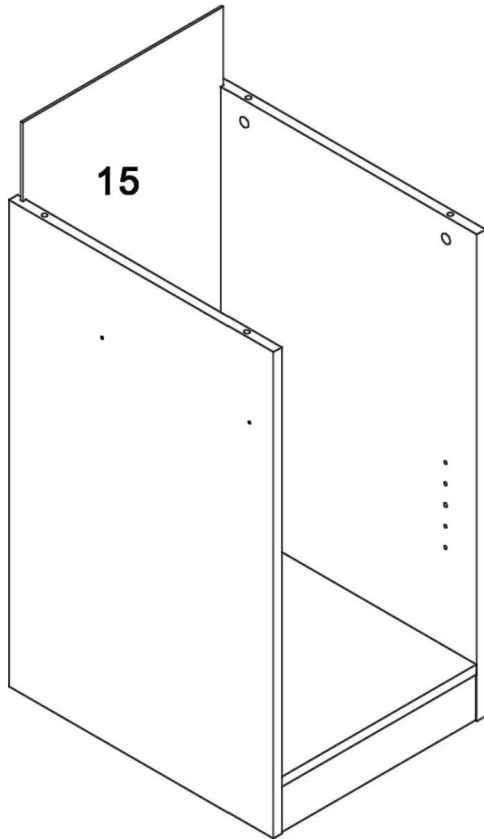
4

Attach panel (14) with cam lock as below.



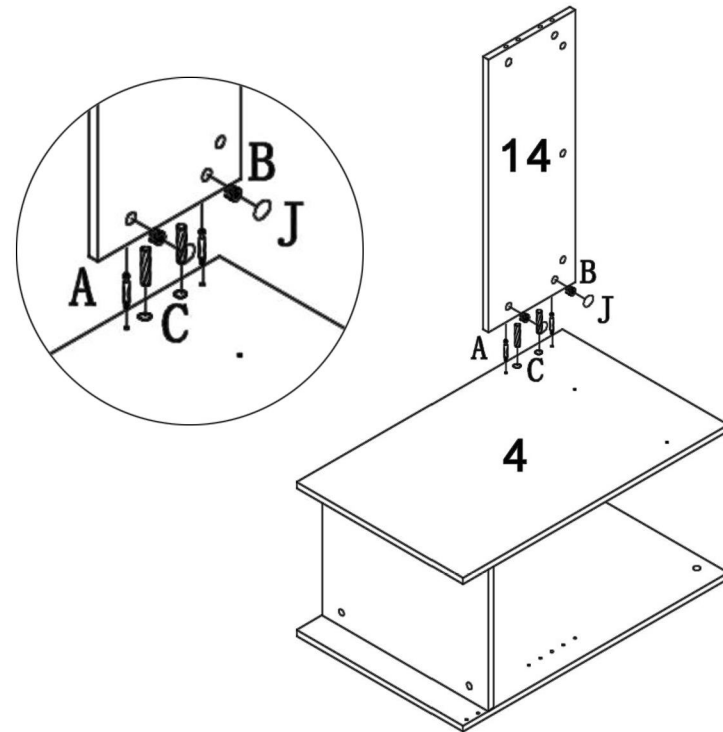
5

Insert back panel(15) as below.



6

Insert wood dowels, screw cam bolts and attach panel(14) as below.



A

x2



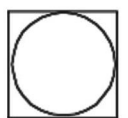
B

x2



C

x2

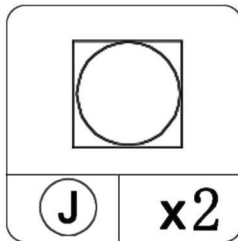
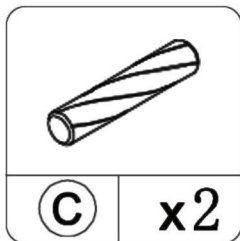
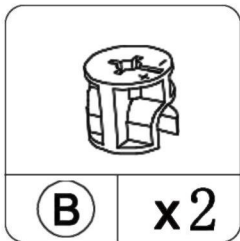
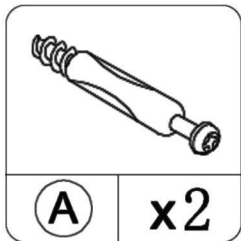
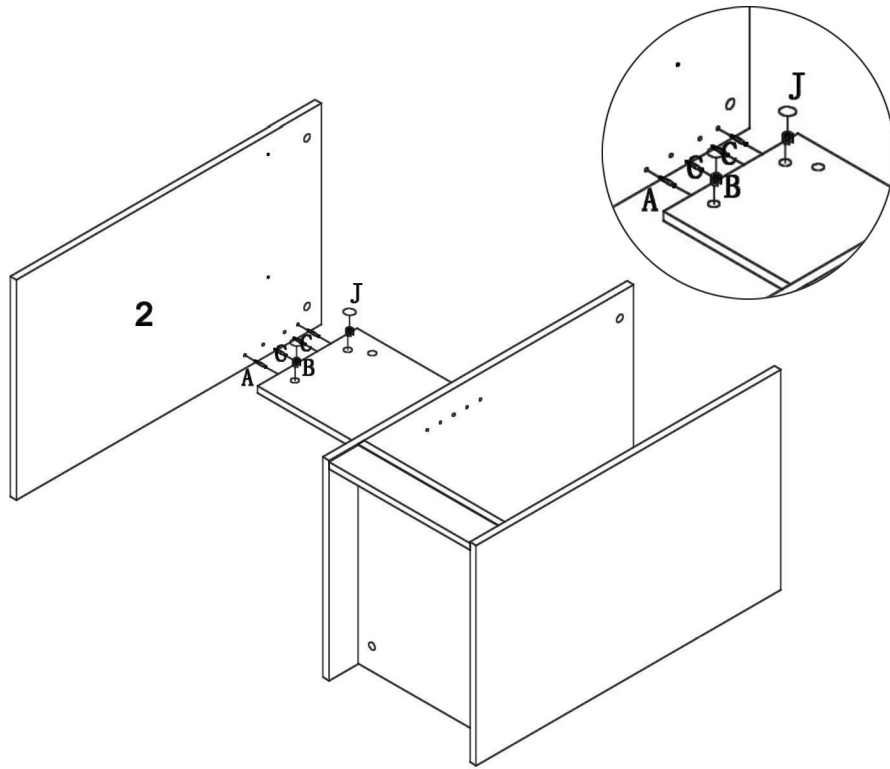


J

x2

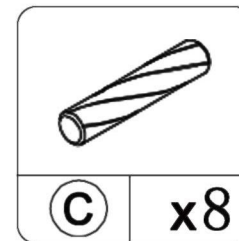
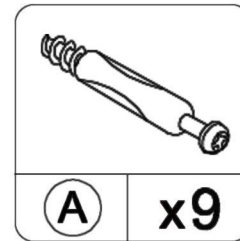
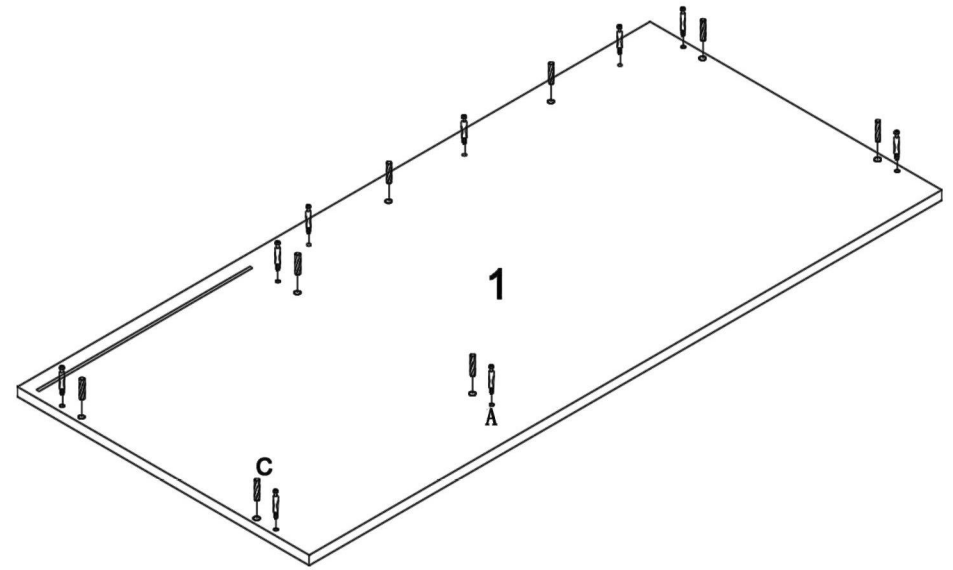
7

Screw cam bolts and attach panel(2) with cam lock as below.



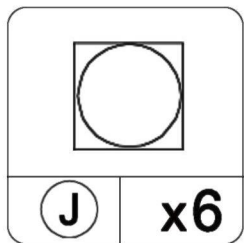
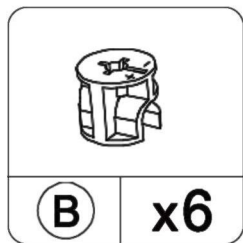
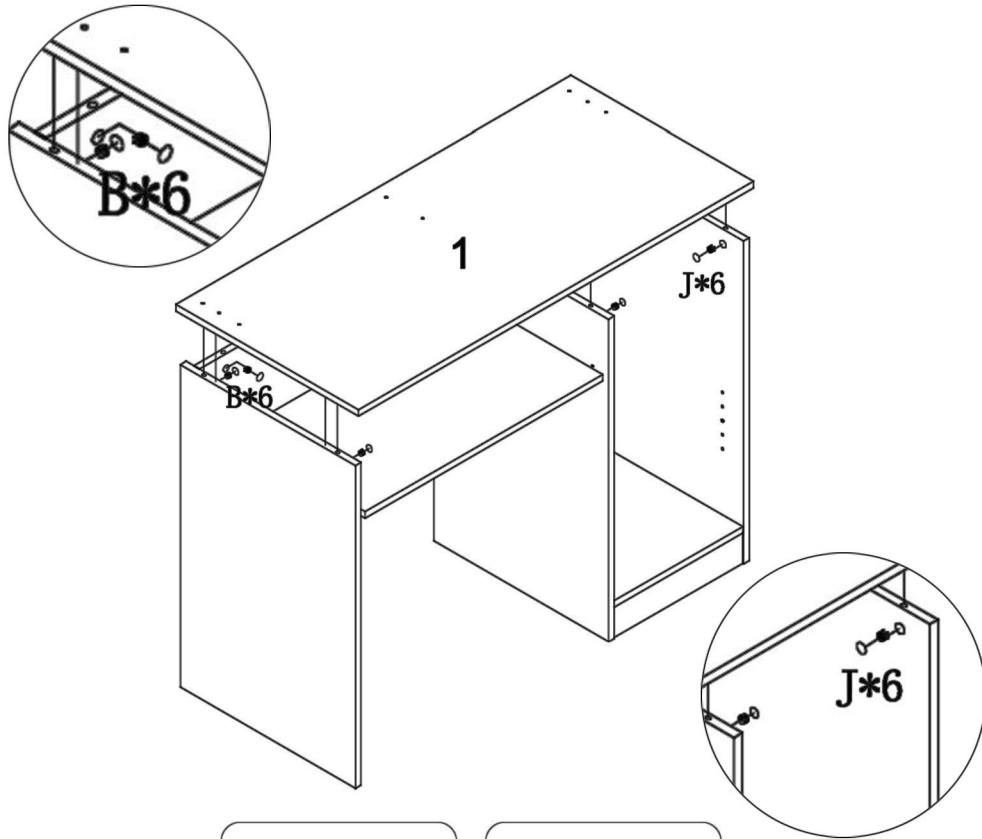
8

Insert wood dowels and screw cam bolts on panel(1) as below.



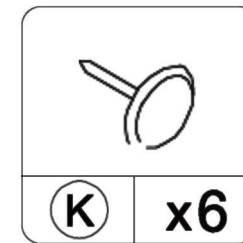
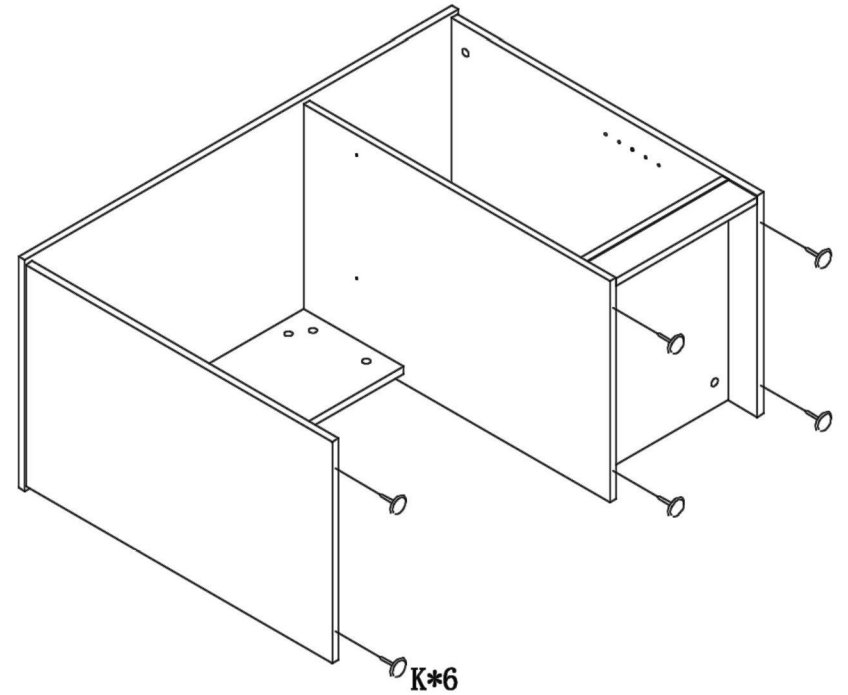
9

Attach panel(1) with cam lock as below.



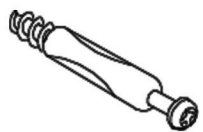
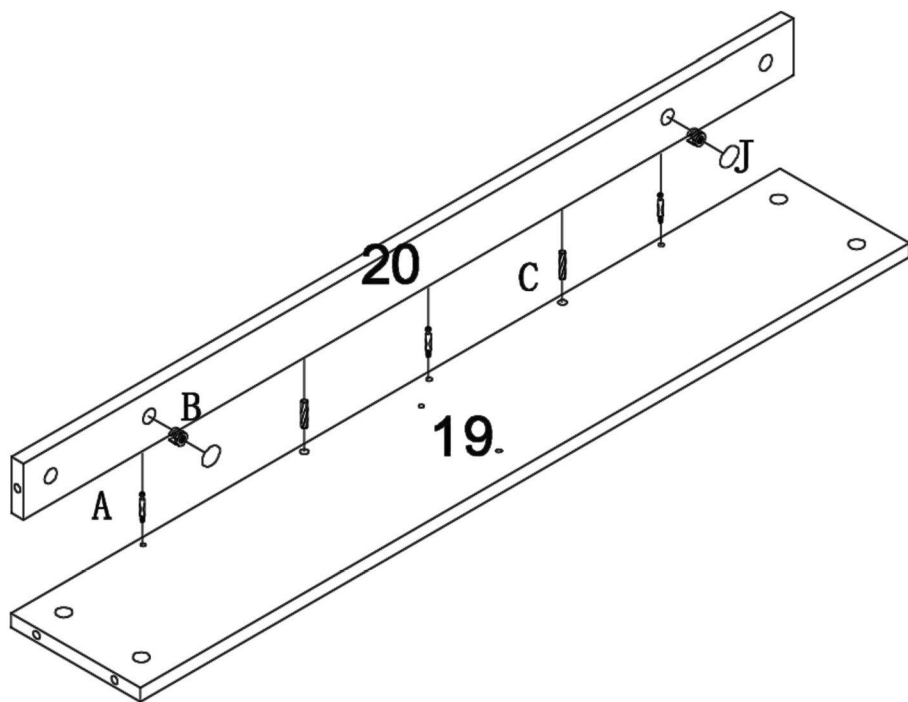
10

Attach nails(K) as below.



11

Insert wood dowels into panel(19), screw cam bolts and attach panel(20) with cam locks(B).



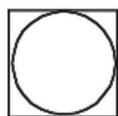
(A) x3



(B) x2



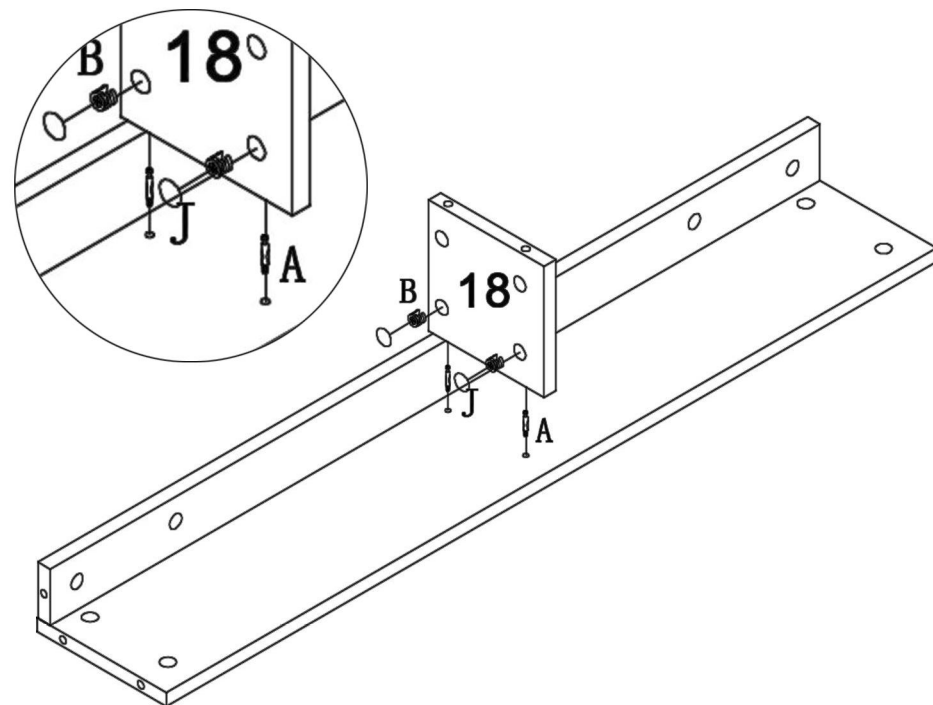
(C) x2



(J) x2

12

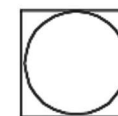
Attach panel(18) as below with cam locks(B).



(A) x2



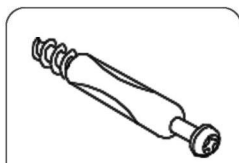
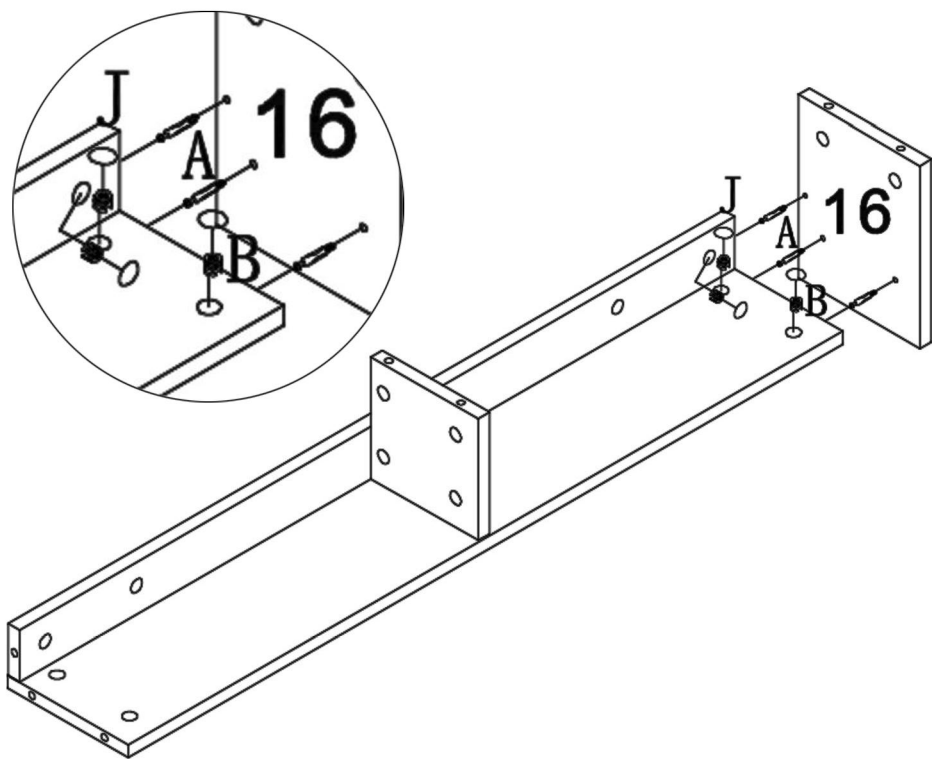
(B) x2



(J) x2

13

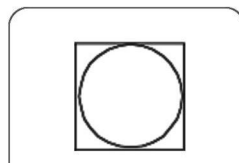
Attach panel(16) as below with cam locks(B).



A x3



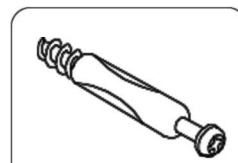
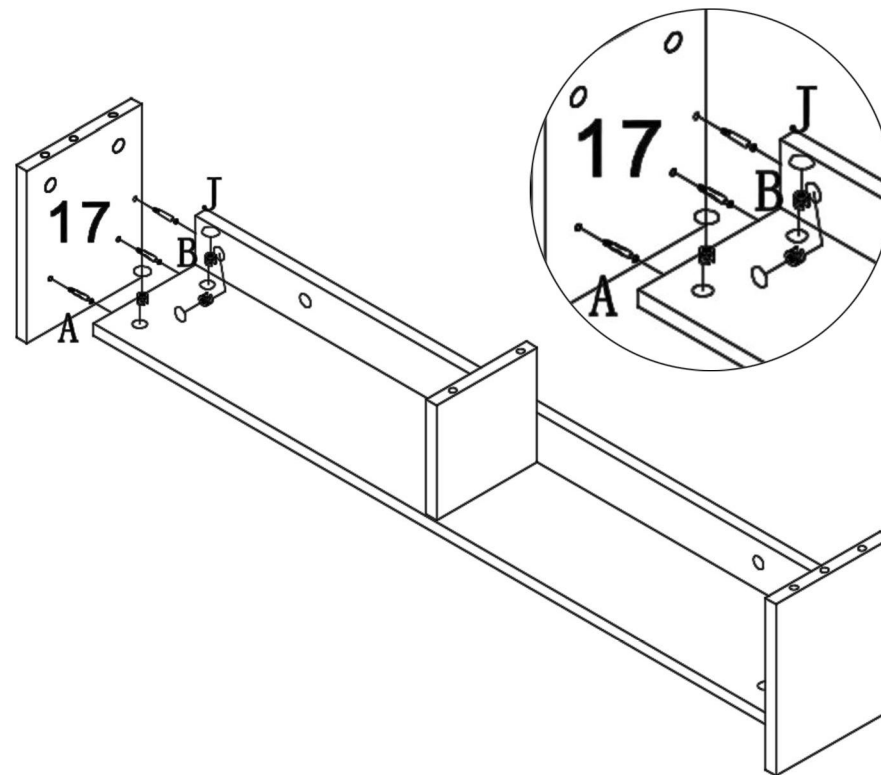
B x3



J x3

14

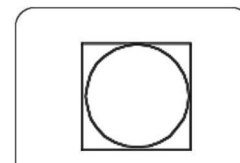
Attach panel(17) as below with cam locks(B).



A x3



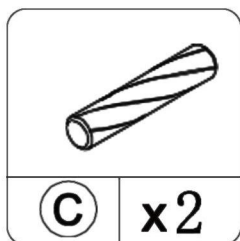
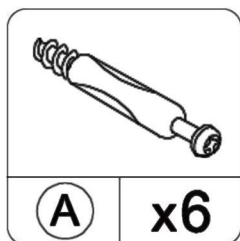
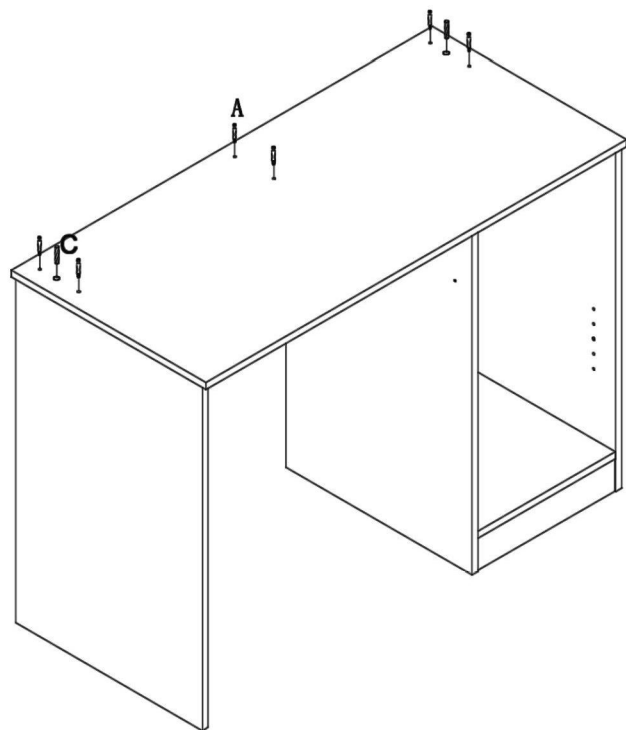
B x3



J x3

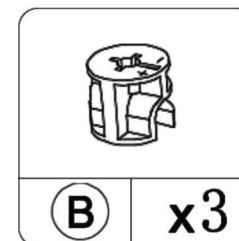
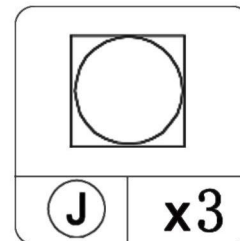
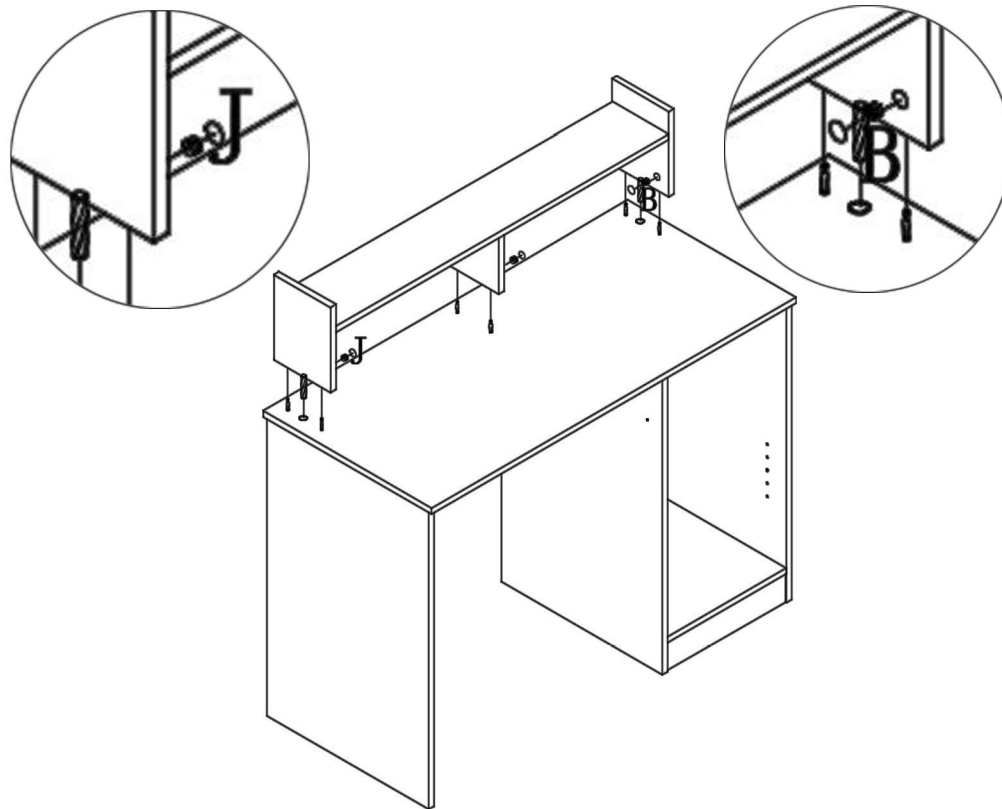
15

Insert wood dowels and screw cam bolts as below.



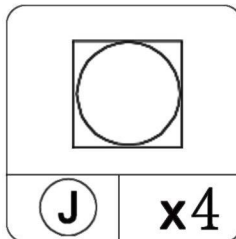
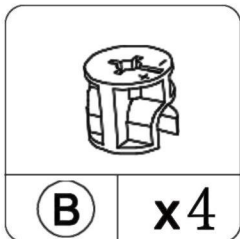
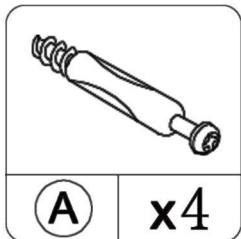
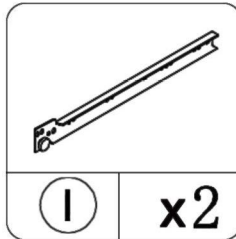
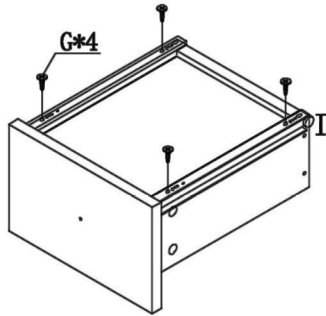
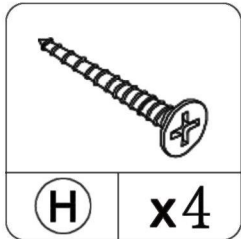
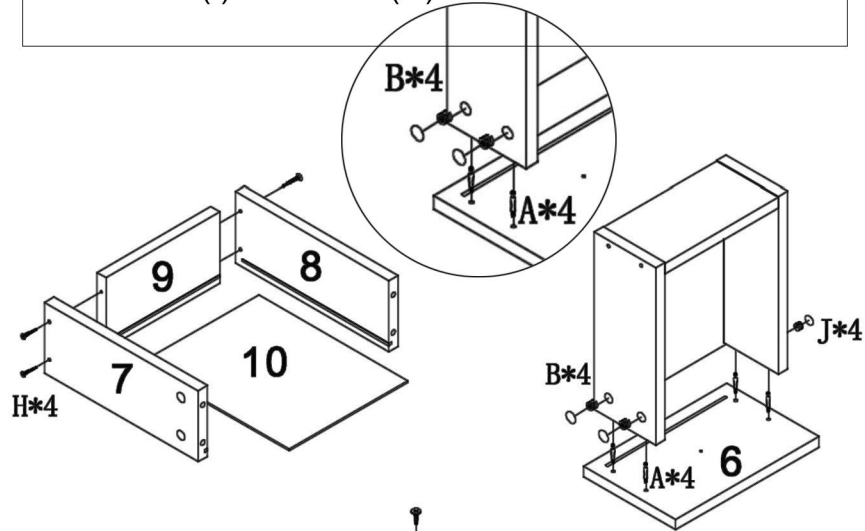
16

Attach panels as below with cam locks.



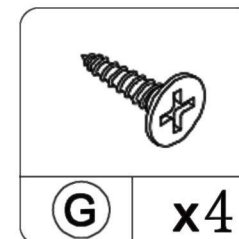
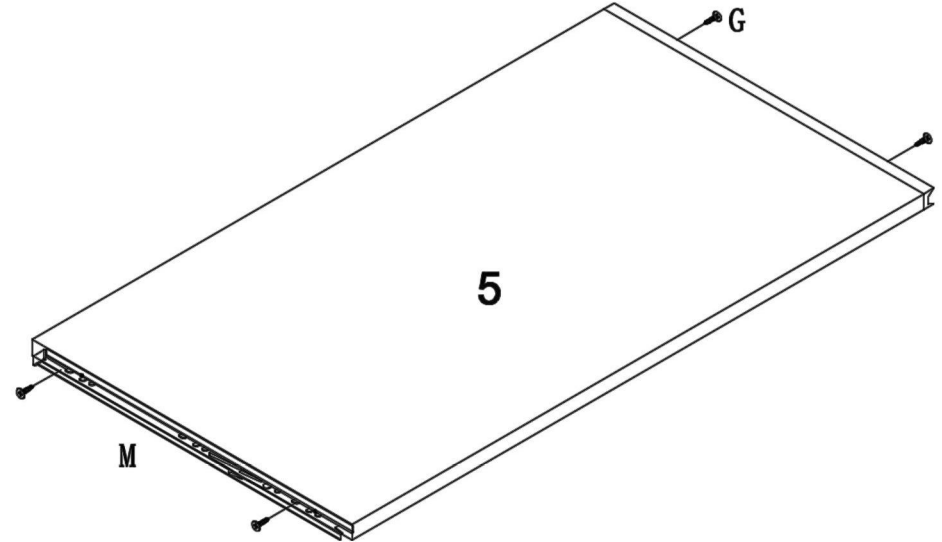
17

Assemble drawer box with screws(H) as below.
Attach panel(6) with cam locks as below.
Attach rails(I) with screw(G) as below.



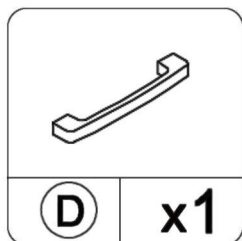
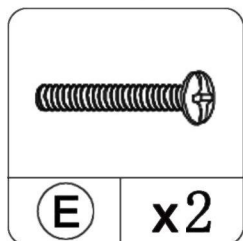
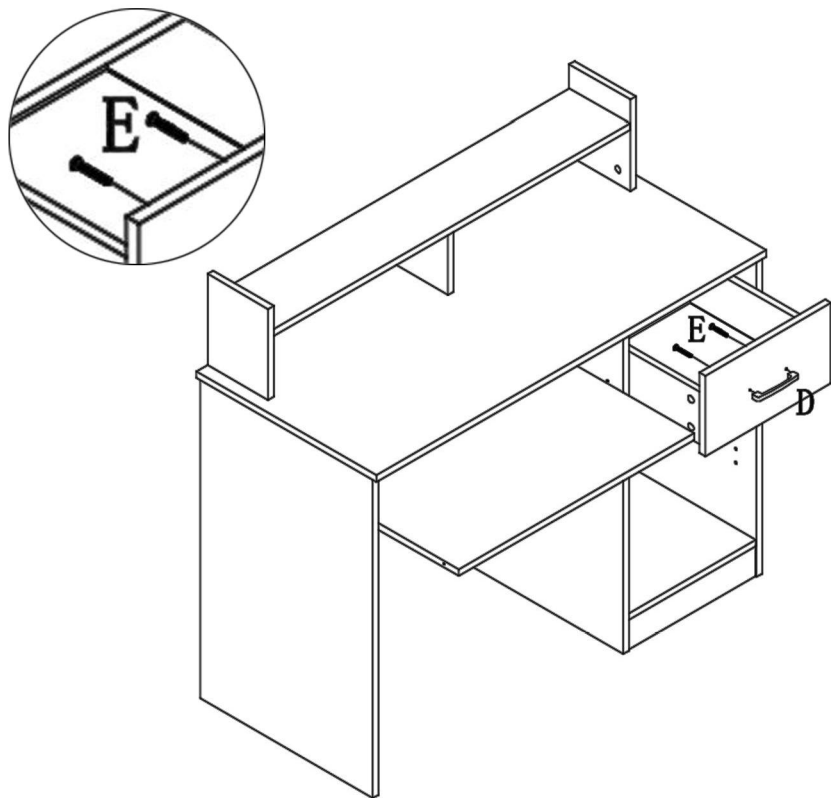
18

Attach rails(M) with screw(G) as below.



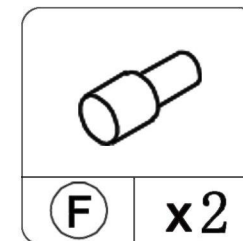
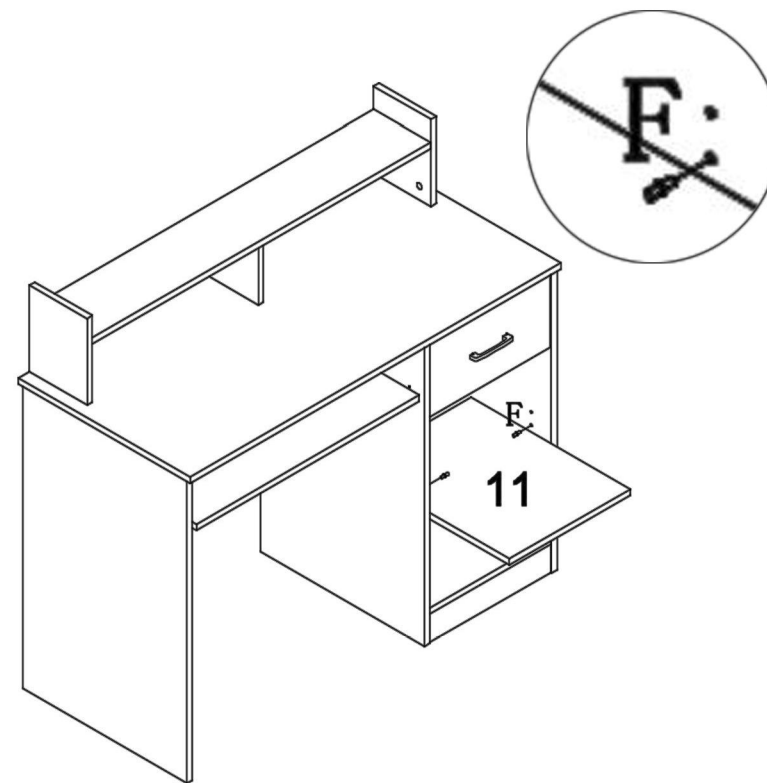
19

Attach handle(D) with screw (E) as below.



20

Insert bolts(F) as below.



21

