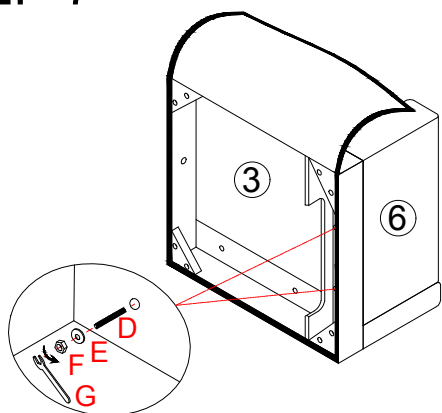
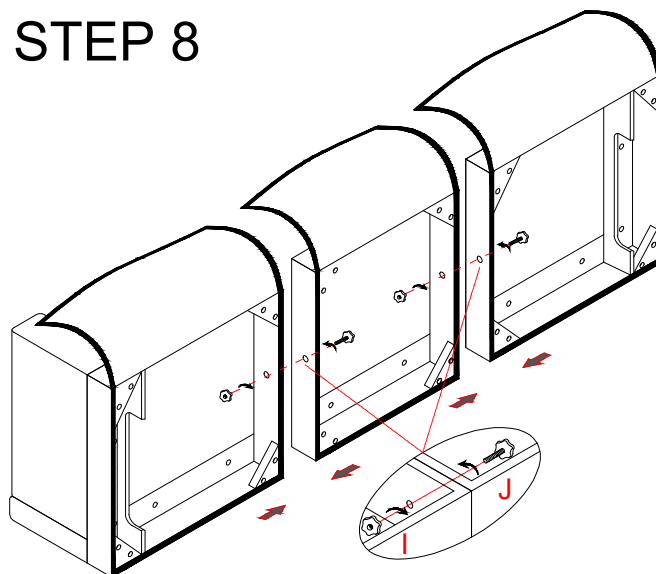


# ③ ASSEMBLY INSTRUCTION

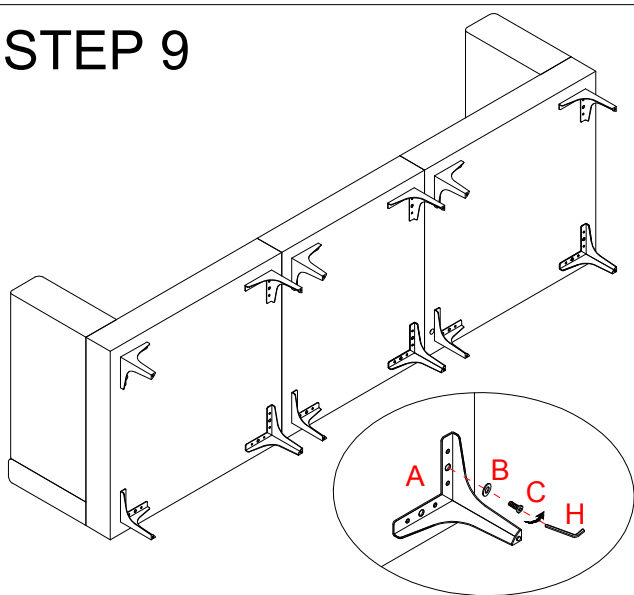
STEP 7



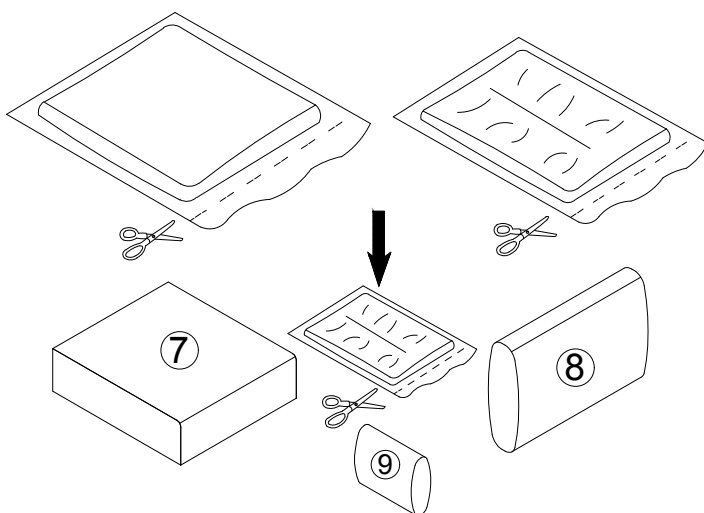
STEP 8



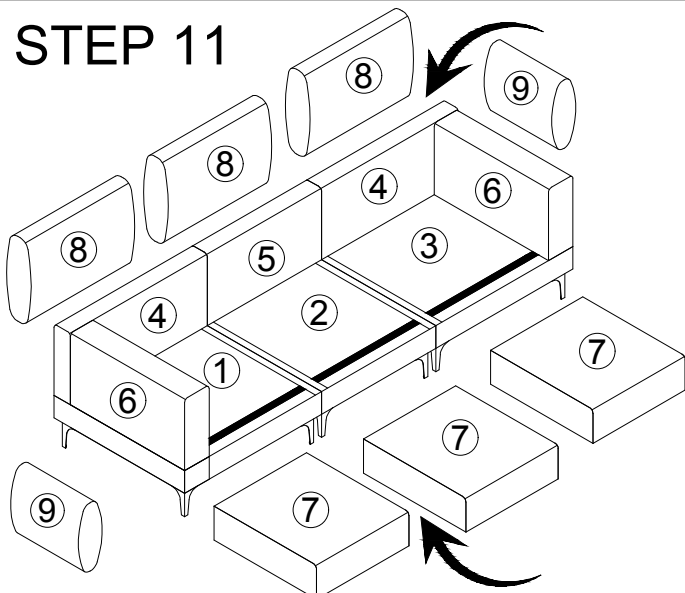
STEP 9



STEP 10



STEP 11



STEP 12

