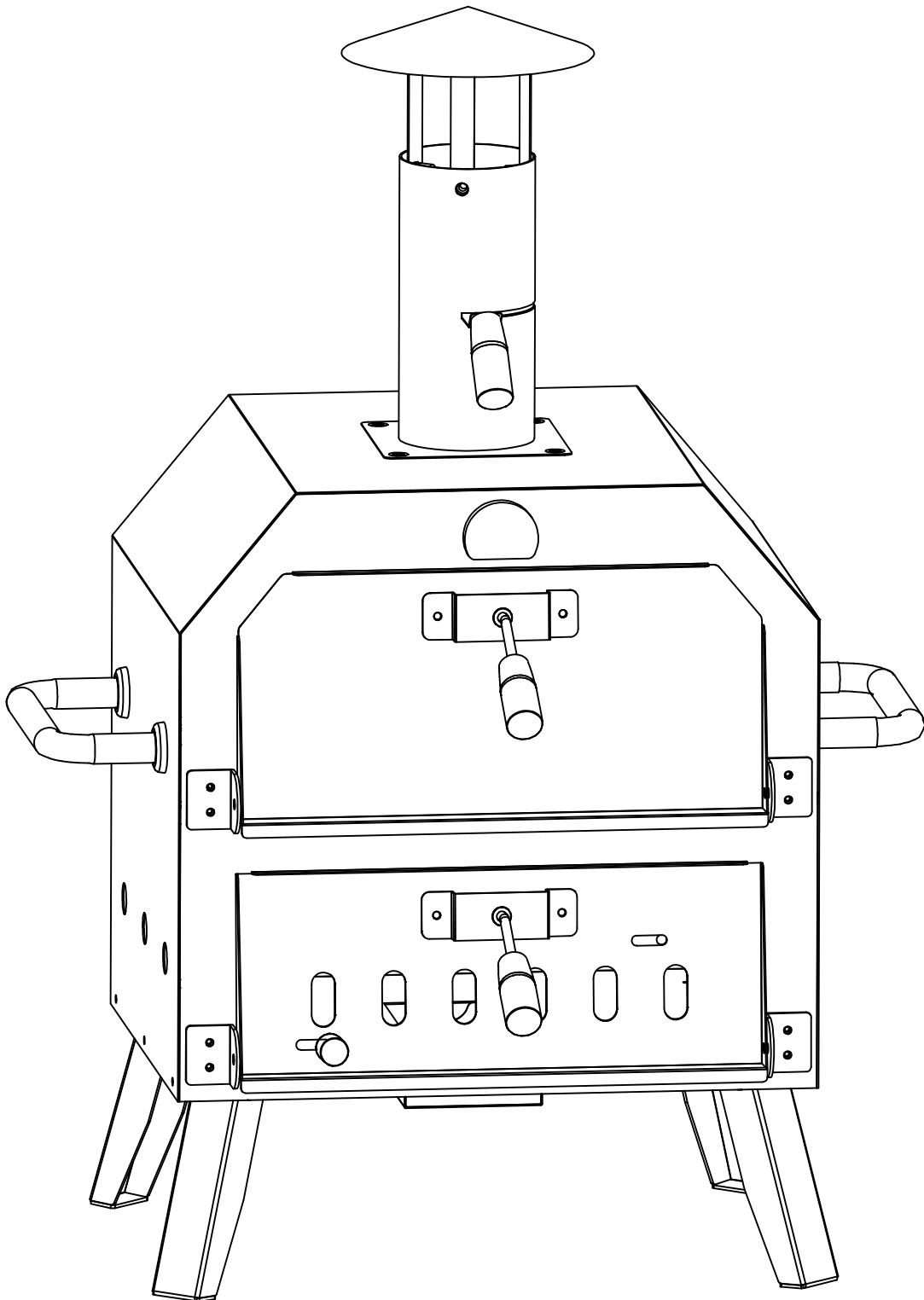
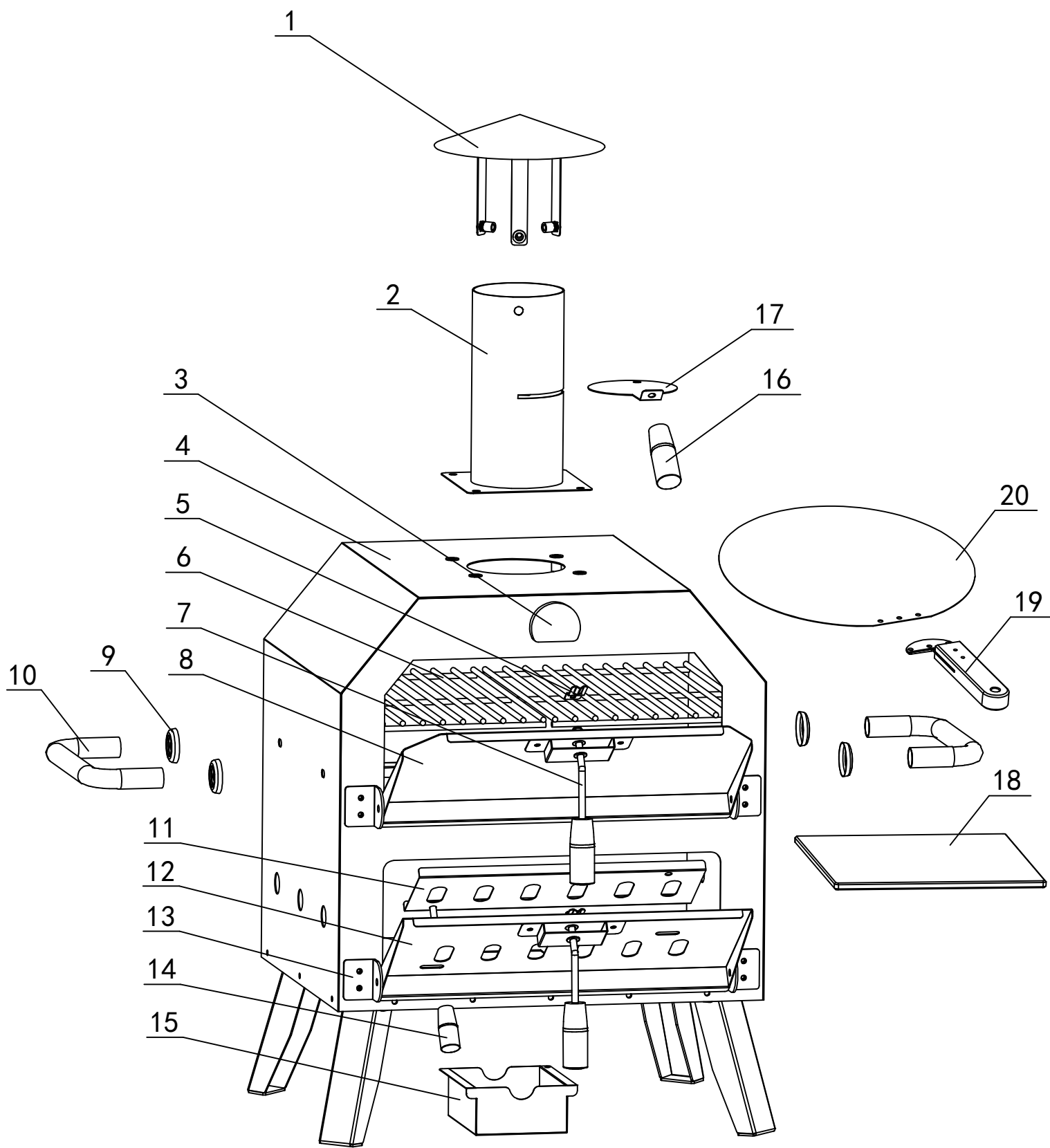



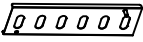
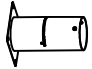
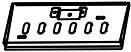






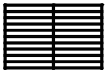






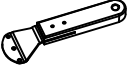

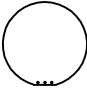
INSTRUCTION MANUAL

JY-139 Charcoal Grill

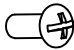

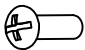

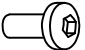








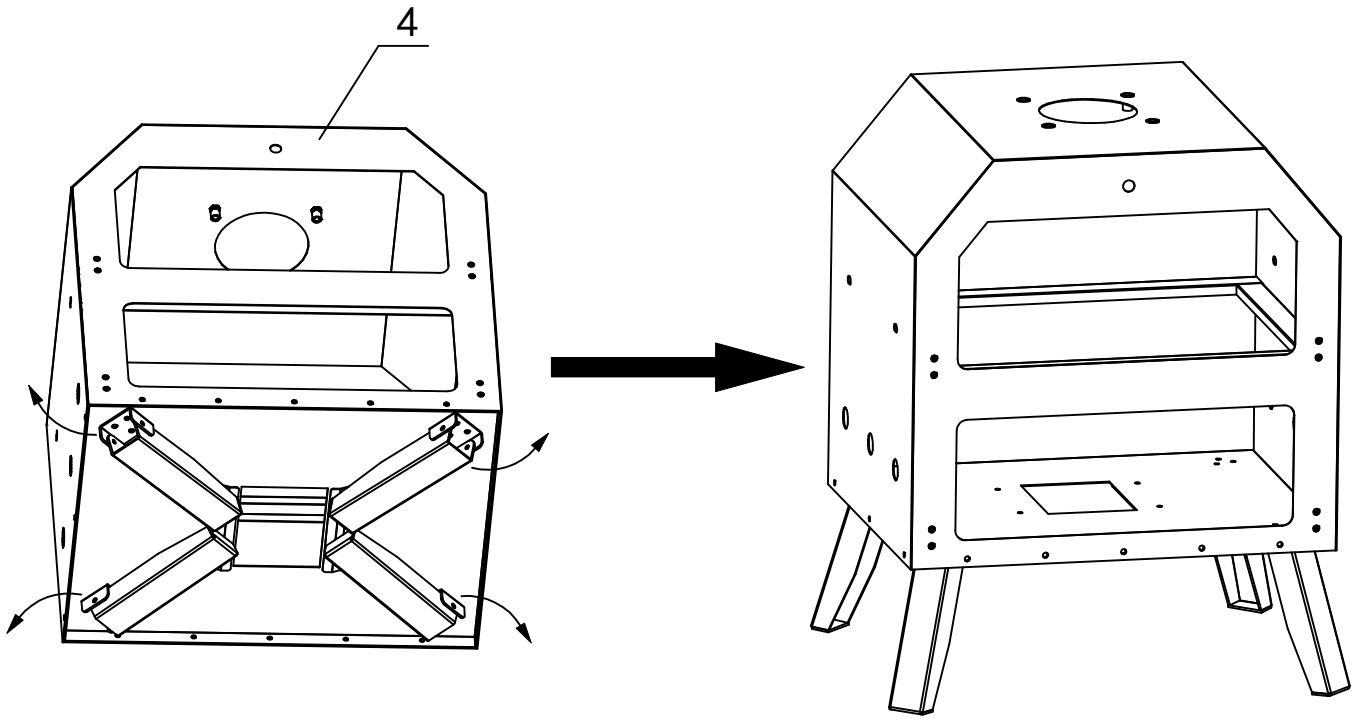
1. Part List

| No. | Desc. | Pic. | Qty | No. | Desc. | Pic. | Qty |
|-----|---------------|---|-----|-----|----------------------------|---|-----|
| 1 | Chimney lid |  | 1 | 11 | Charcoal door Baffle plate |  | 1 |
| 2 | Chimney |  | 1 | 12 | Charcoal door |  | 1 |
| 3 | Thermometer |  | 1 | 13 | Door hinge |  | 4 |
| 4 | Body |  | 1 | 14 | Lifting handle |  | 1 |
| 5 | Locking latch |  | 2 | 15 | Ash box |  | 1 |
| 6 | Cooking grid |  | 2 | 16 | Lifting handle |  | 3 |
| 7 | Locking rod |  | 2 | 17 | Chimney plate |  | 1 |
| 8 | Cooking door |  | 1 | 18 | Pizza Stone |  | 1 |
| 9 | Washer |  | 4 | 19 | Pizza Peel Handle |  | 1 |
| 10 | Handle |  | 2 | 20 | Pizza Peel |  | 1 |

2. Screw List

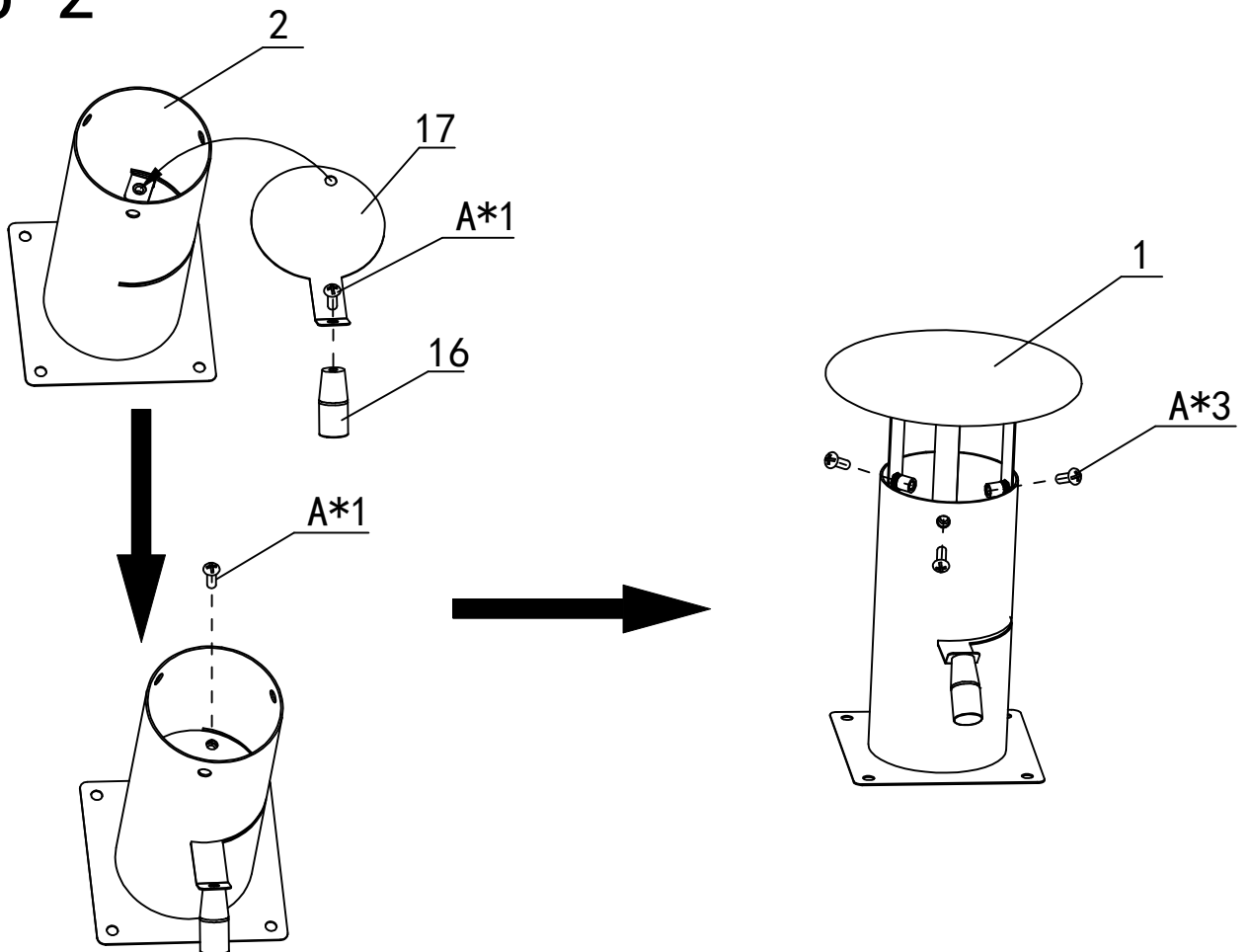
| No. | Desc. | Pic. | Qty | No. | Desc. | Pic. | Qty |
|-----|-------------|---|-----|-----|------------|---|-----|
| A | M6*12 screw |  | 10 | F | M6 nut |  | 5 |
| B | M6*16 screw |  | 4 | G | Washer |  | 8 |
| C | M6*16 screw |  | 4 | H | M4 nut |  | 3 |
| D | M6 cap nut |  | 4 | J | M4*8 screw |  | 3 |
| E | M4*10 screw |  | 8 | | | | |

Step 1

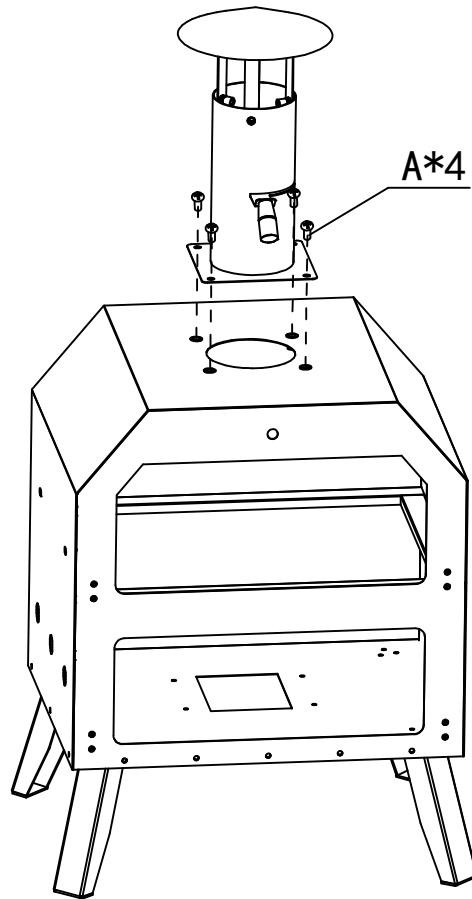


A M6*12 screw 5PCS

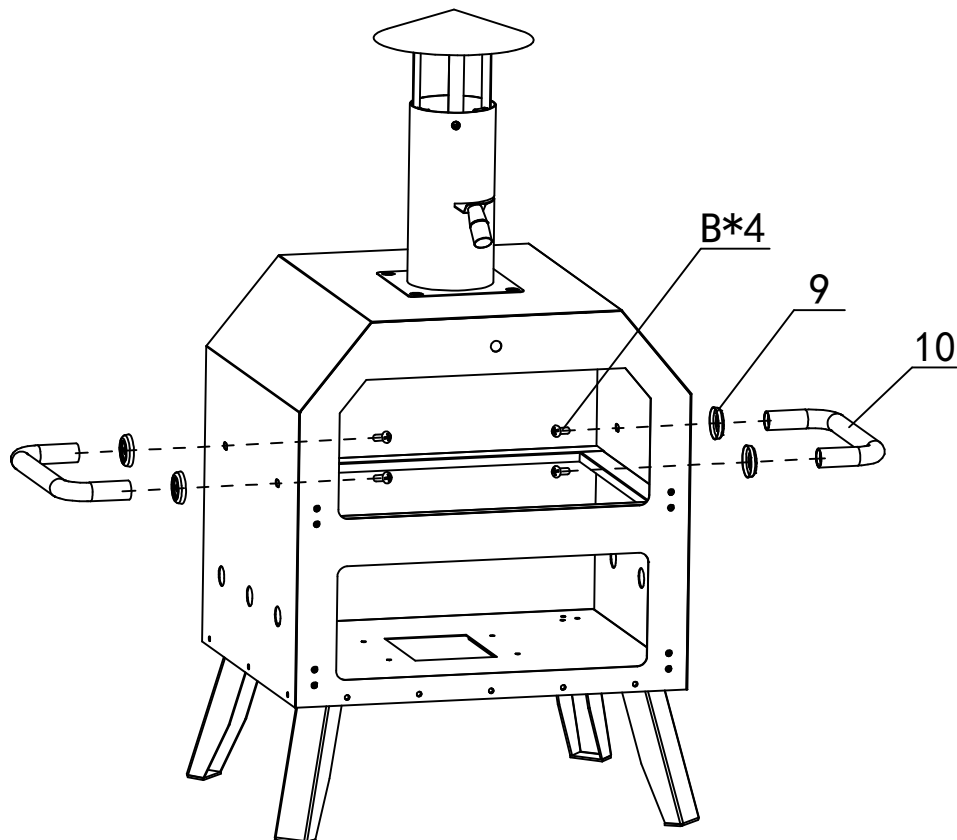
Step 2



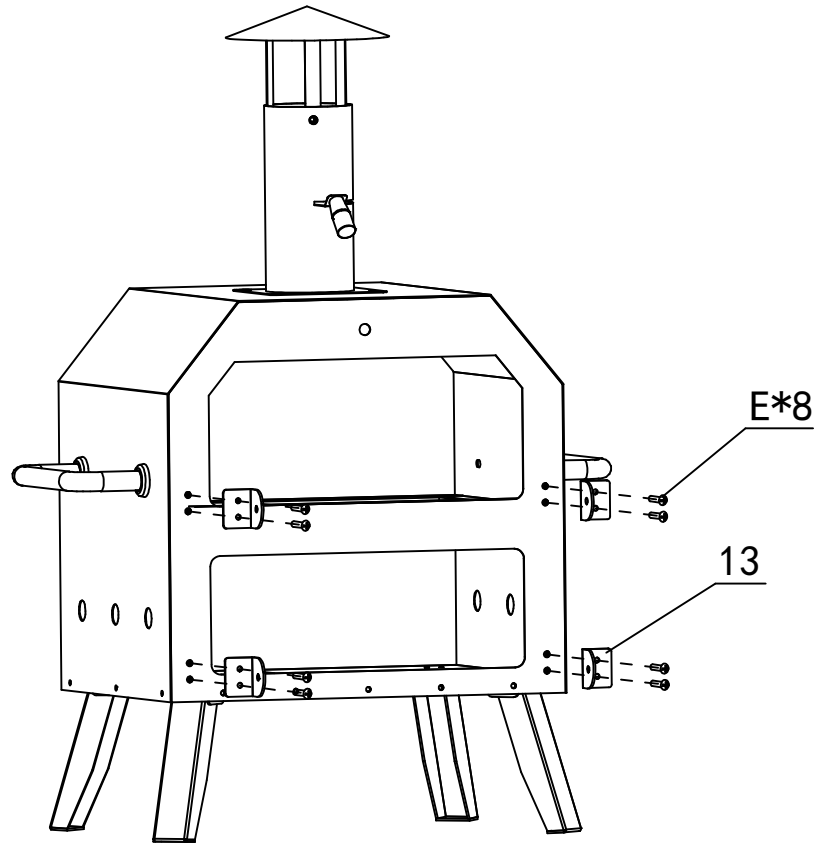
Step 3



Step 4

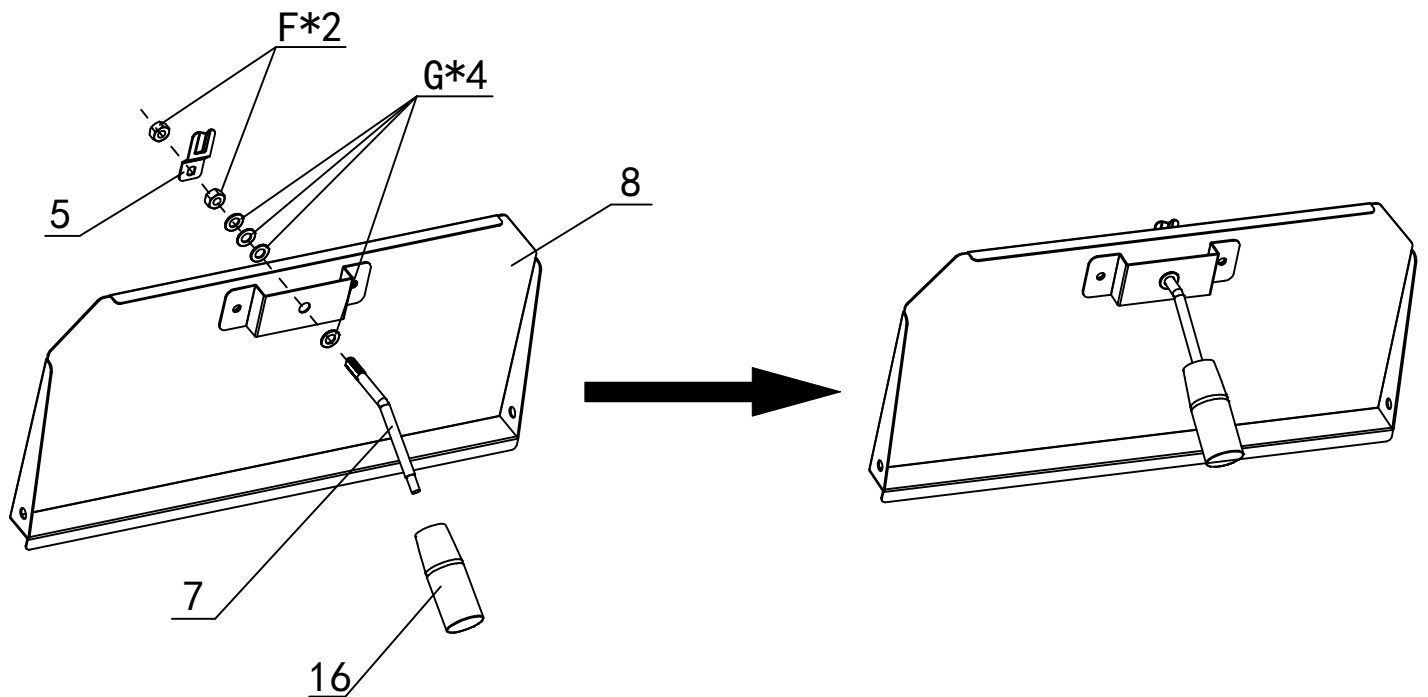


Step 5



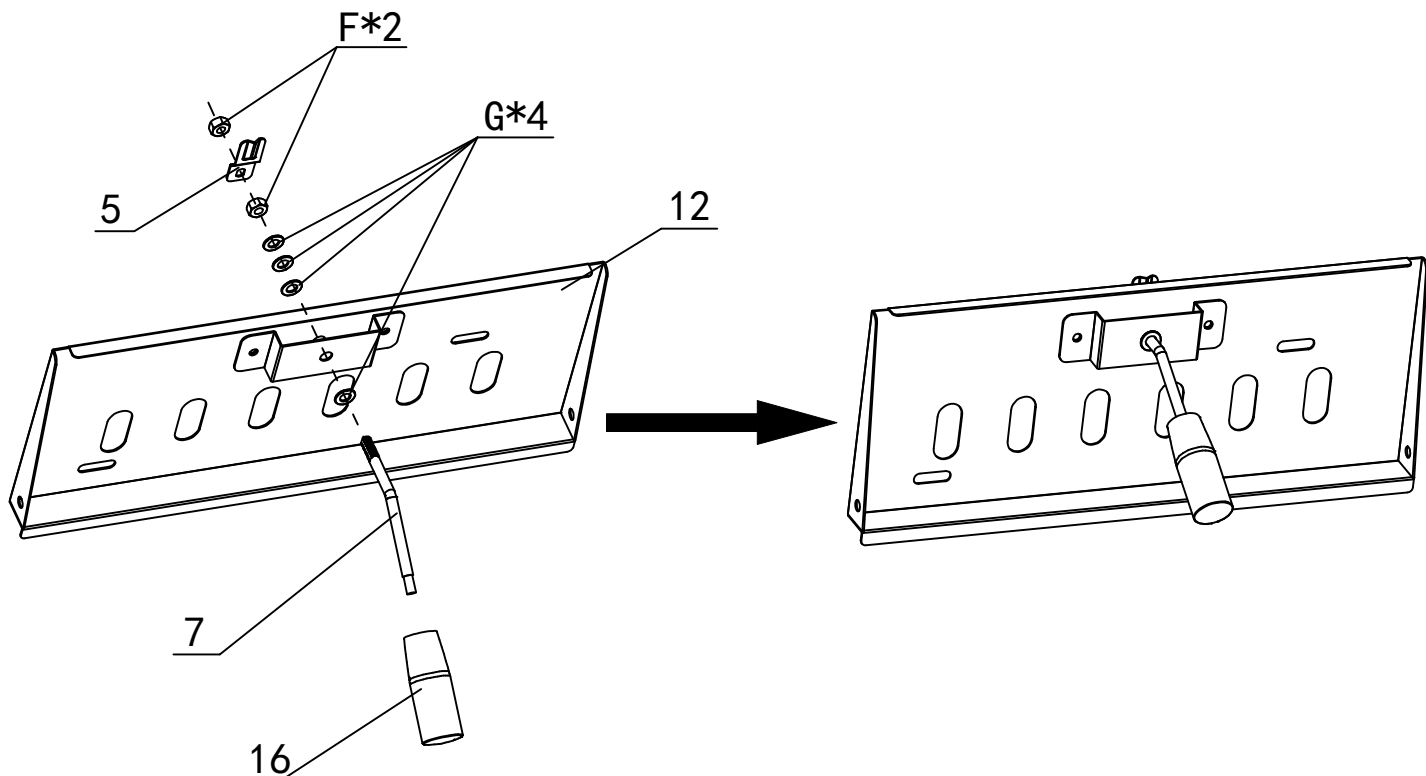
Step 6

| | | |
|---|--------|------|
| F | M6 nut | 2PCS |
| G | Washer | 4PCS |



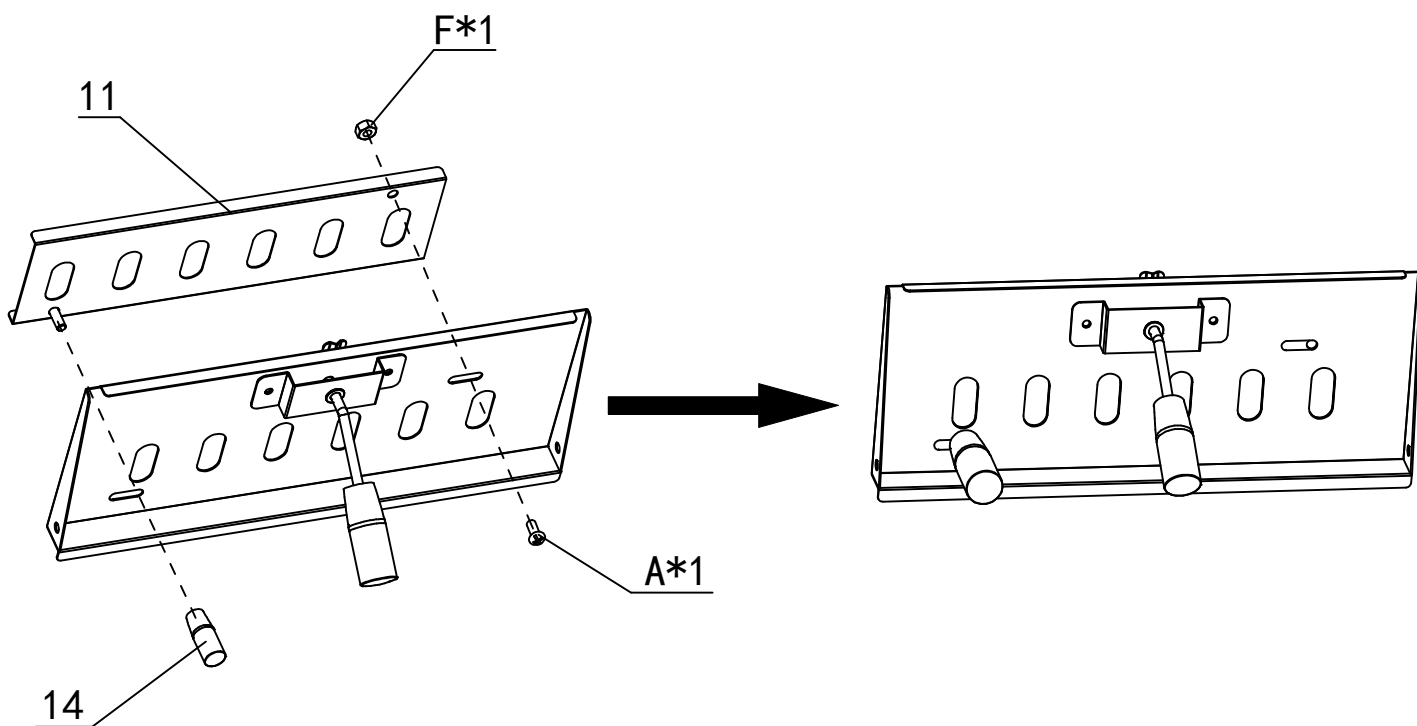
Step 7

| | | |
|---|--------|------|
| F | M6 nut | 2PCS |
| G | Washer | 4PCS |



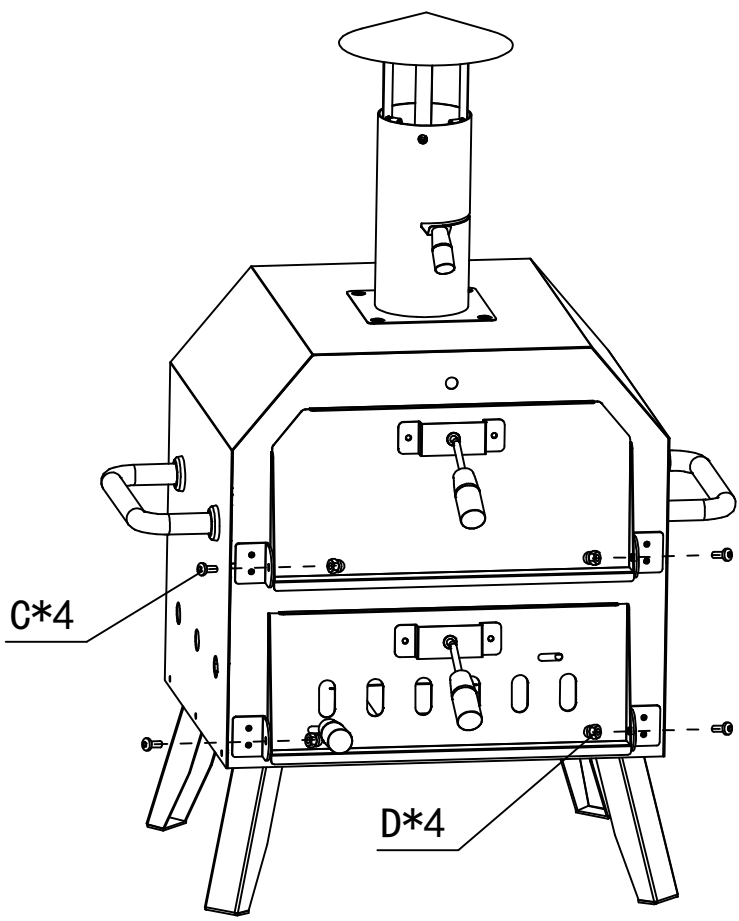
Step 8

| | | |
|---|-------------|------|
| A | M6*12 screw | 1PCS |
| F | M6 nut | 1PCS |

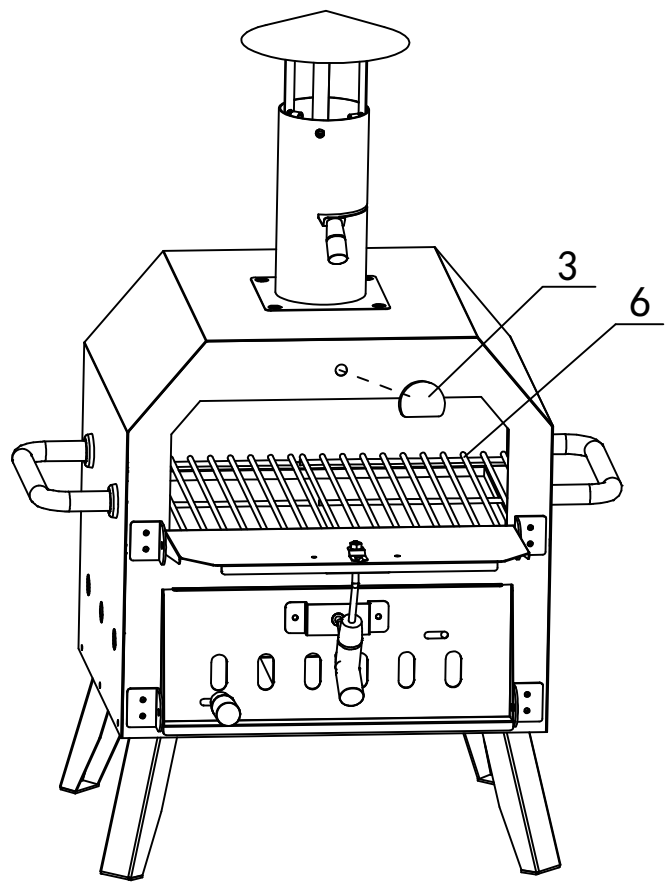


Step 9

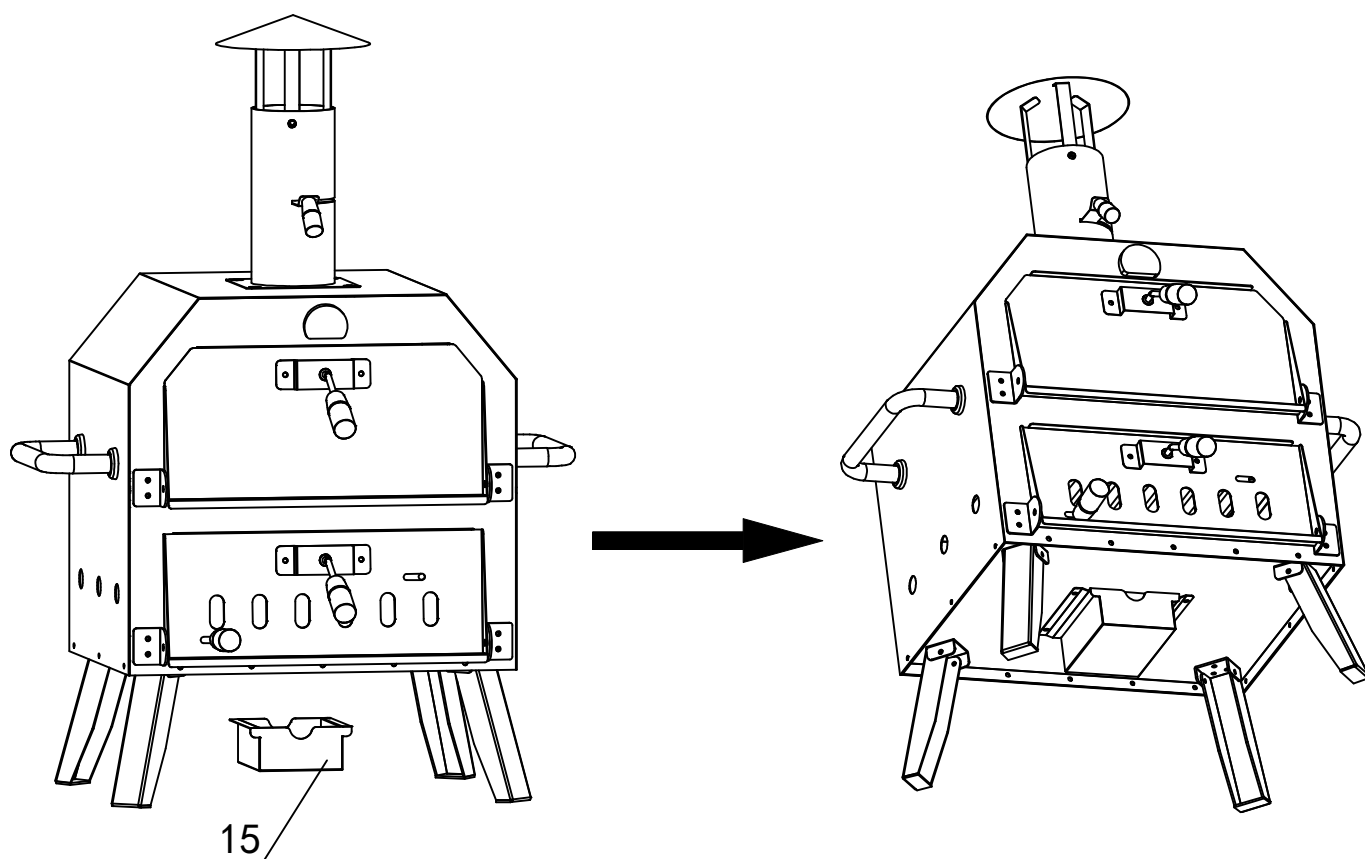
| | | |
|---|-------------|------|
| C | M6*16 screw | 4PCS |
| D | M6 cap nut | 4PCS |



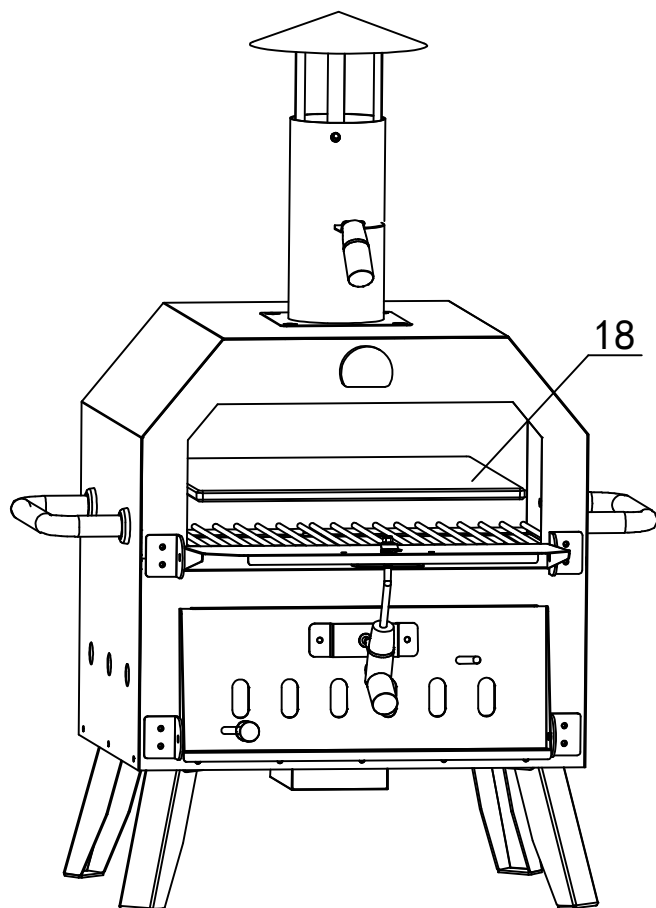
Step 10



Step 11



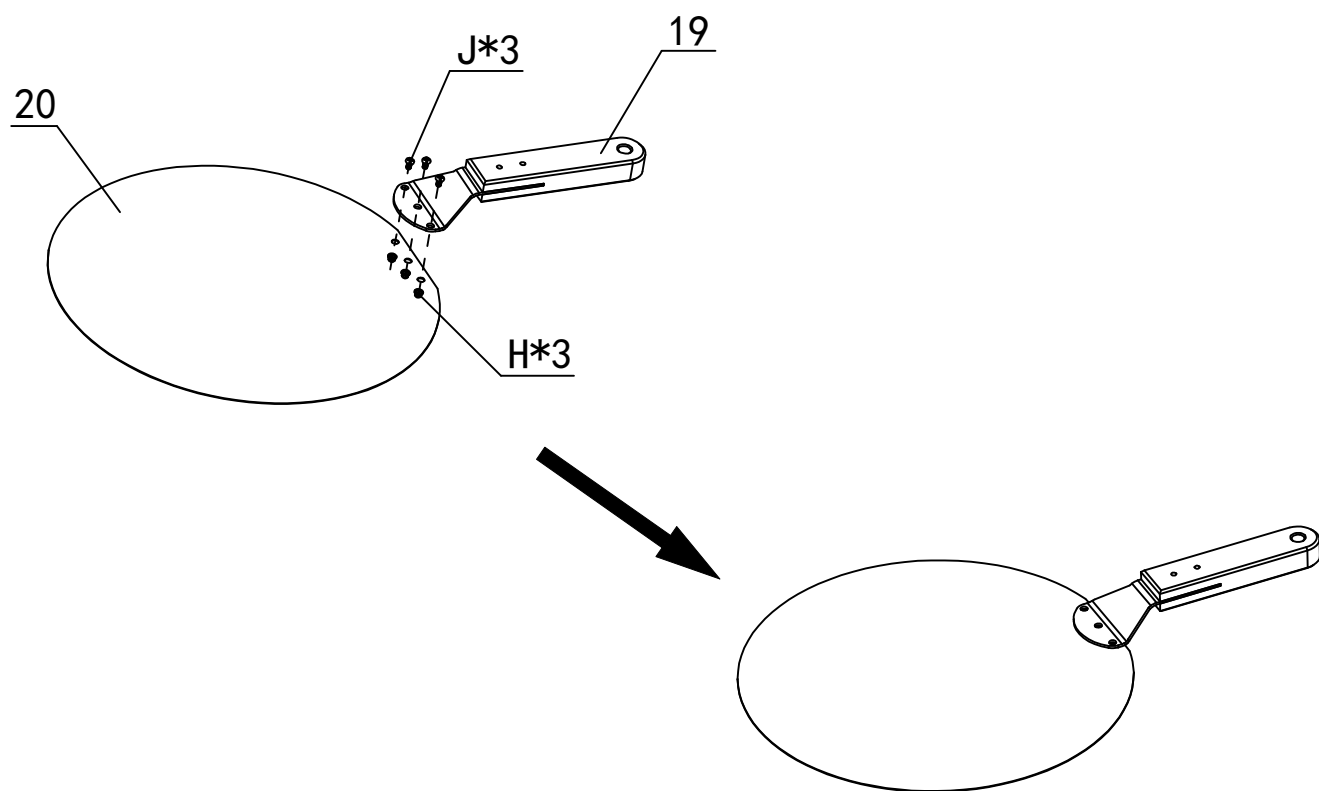
Step 12



Step 13

H M4 nut 3PCS

J M4*8 screw 3PCS



Step 14

