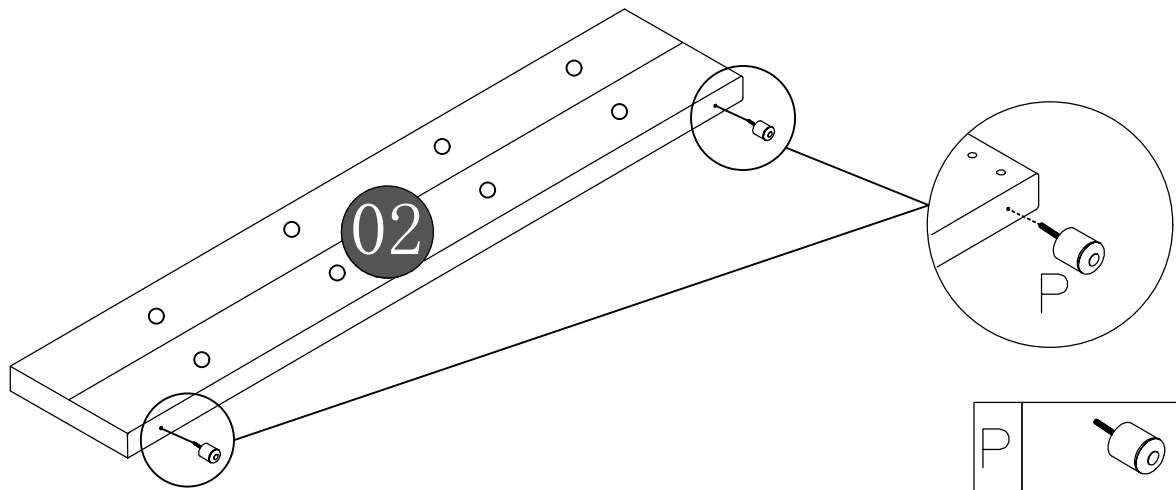

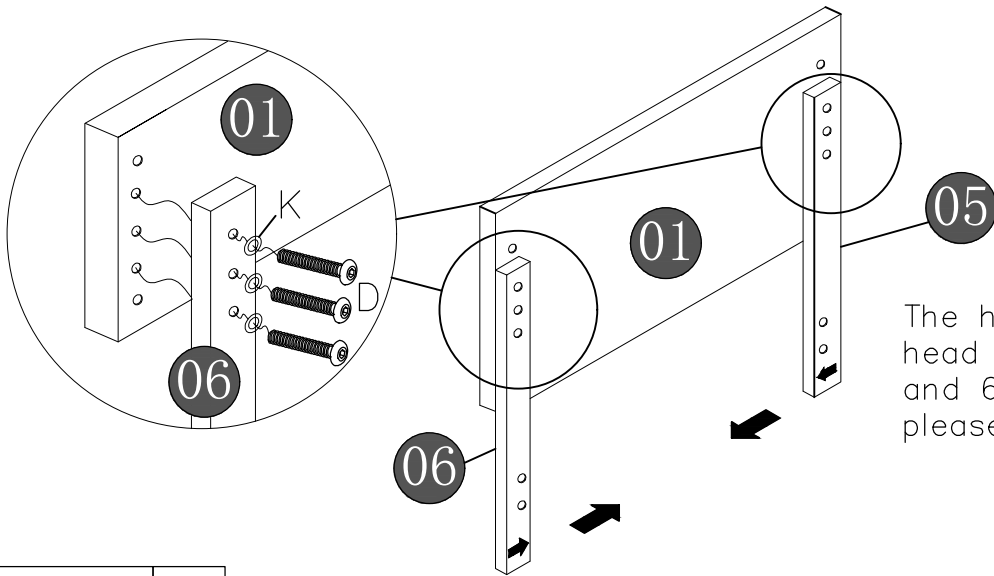


01


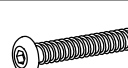



P		2
	4cm	

02

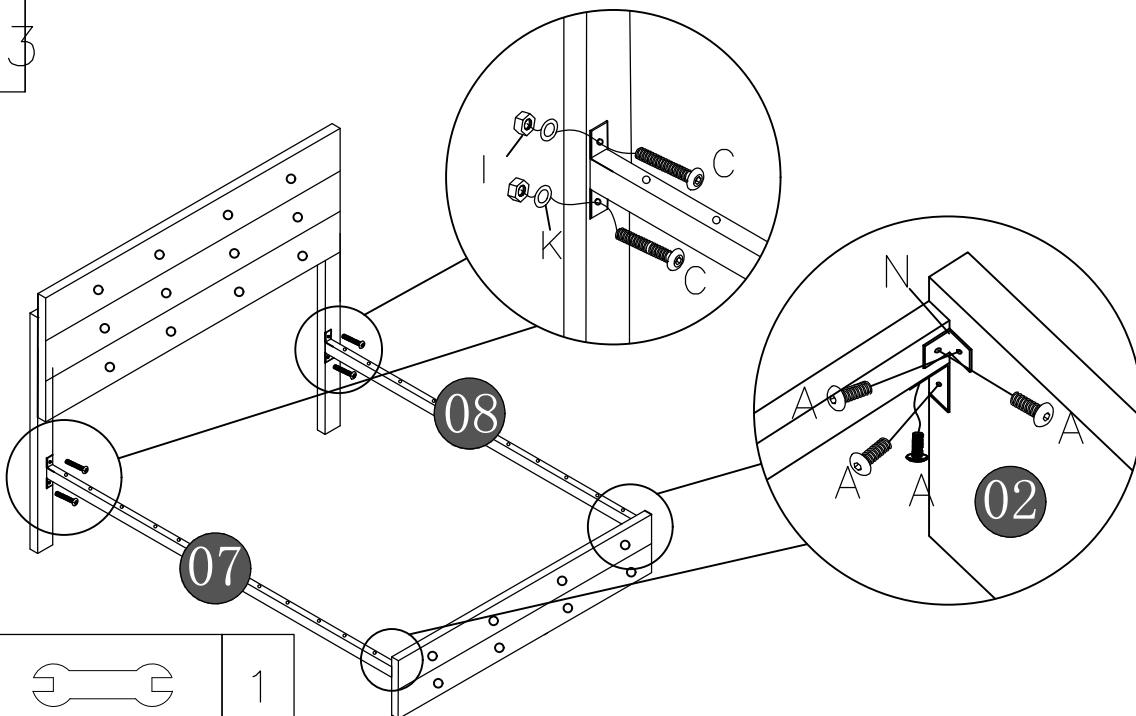


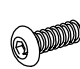
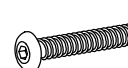


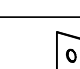
The hole connecting the head of the bed in parts 5 and 6 is on the inside please refer to the Arrow


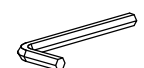
K		6
D		6
	8*50	

V		1
---	---	---

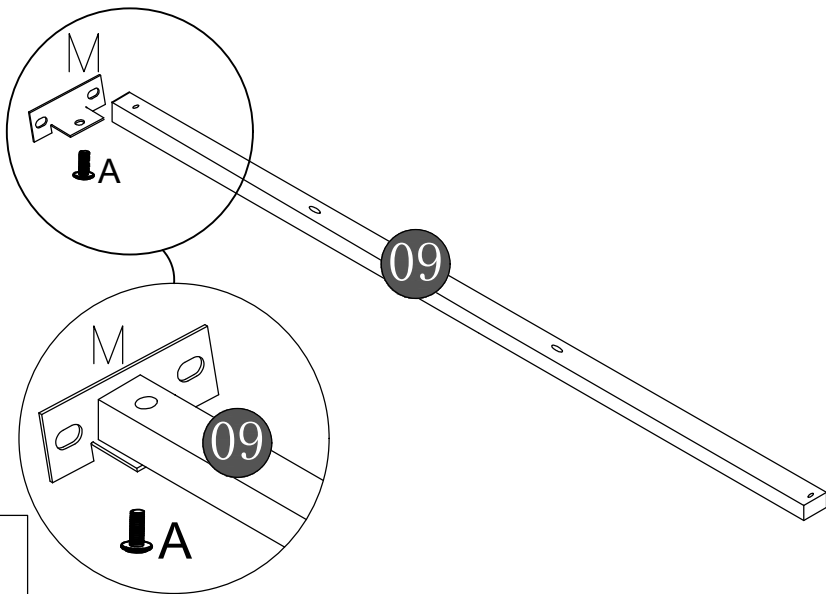
03



A		8
	8*20	
C		4
	8*45	
I		4
	M 8	
K		4
N		4

T		1
V		1

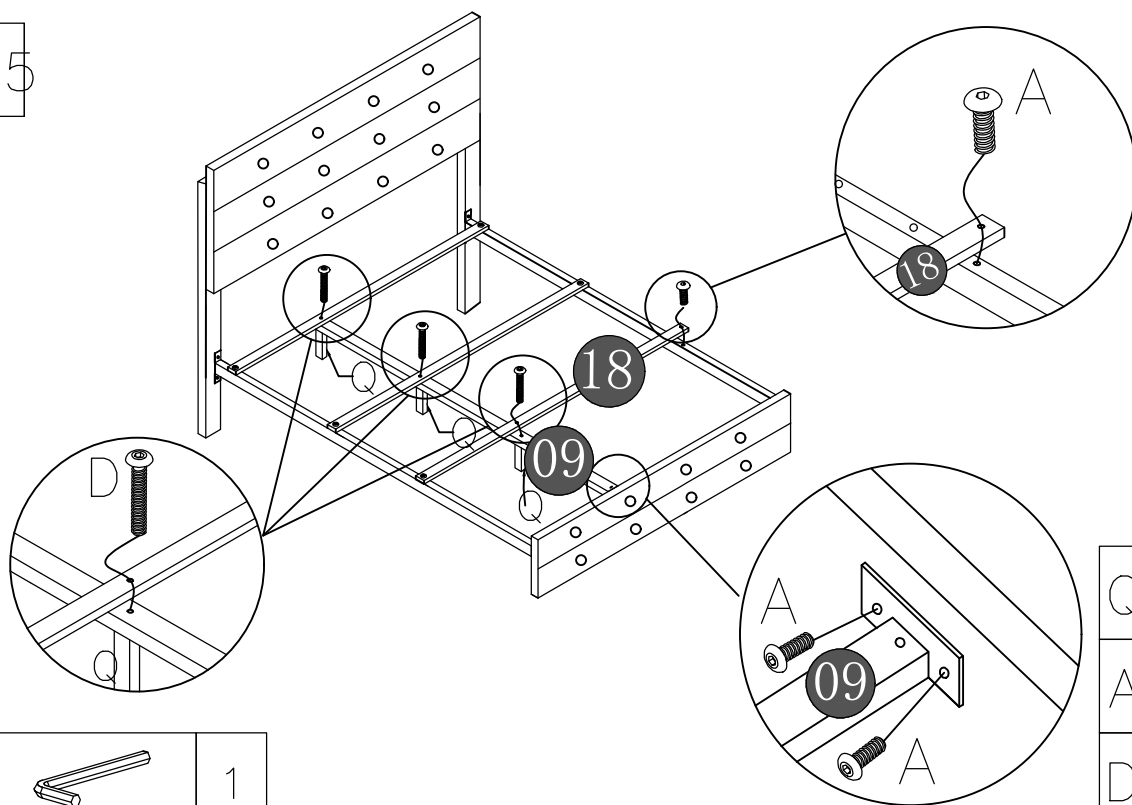
04



V		1
---	--	---

M		1
A		1

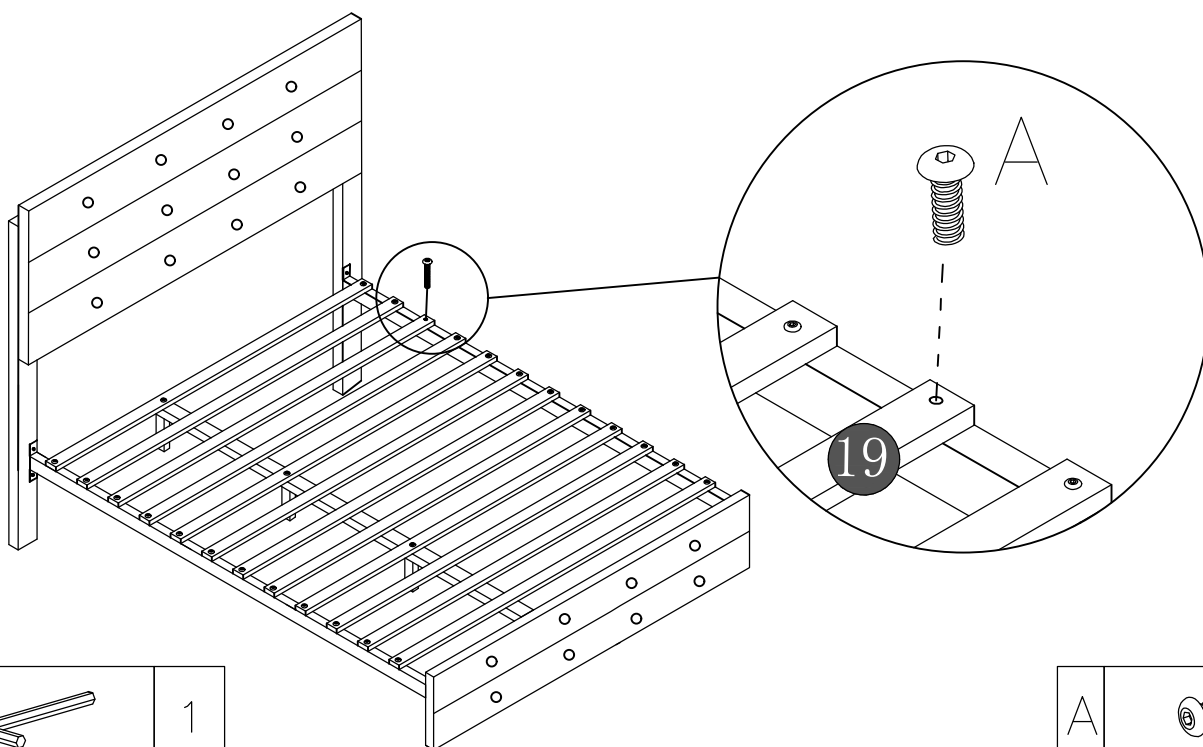
05



V		1
---	--	---

Q		3
A		8
D		3

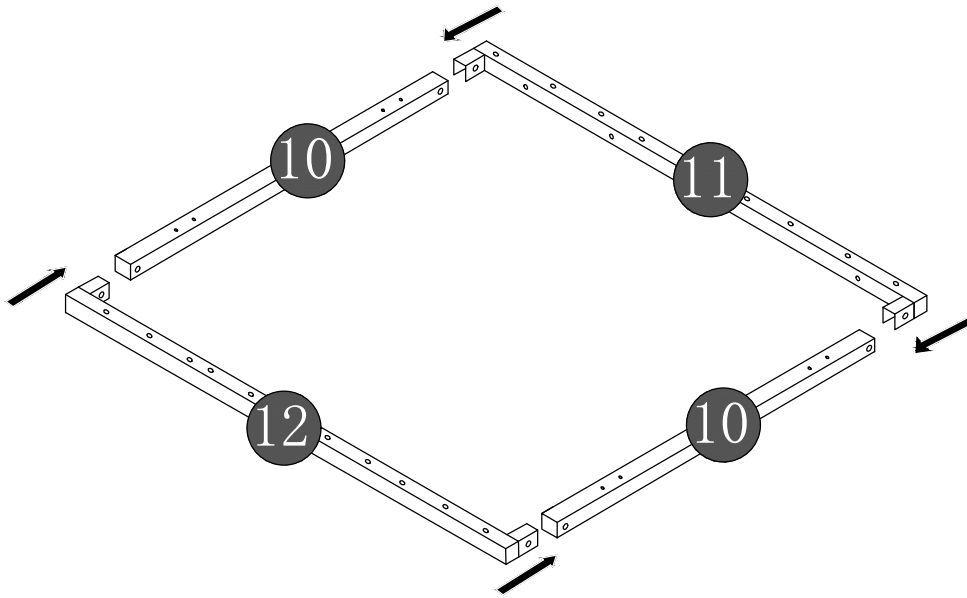
06



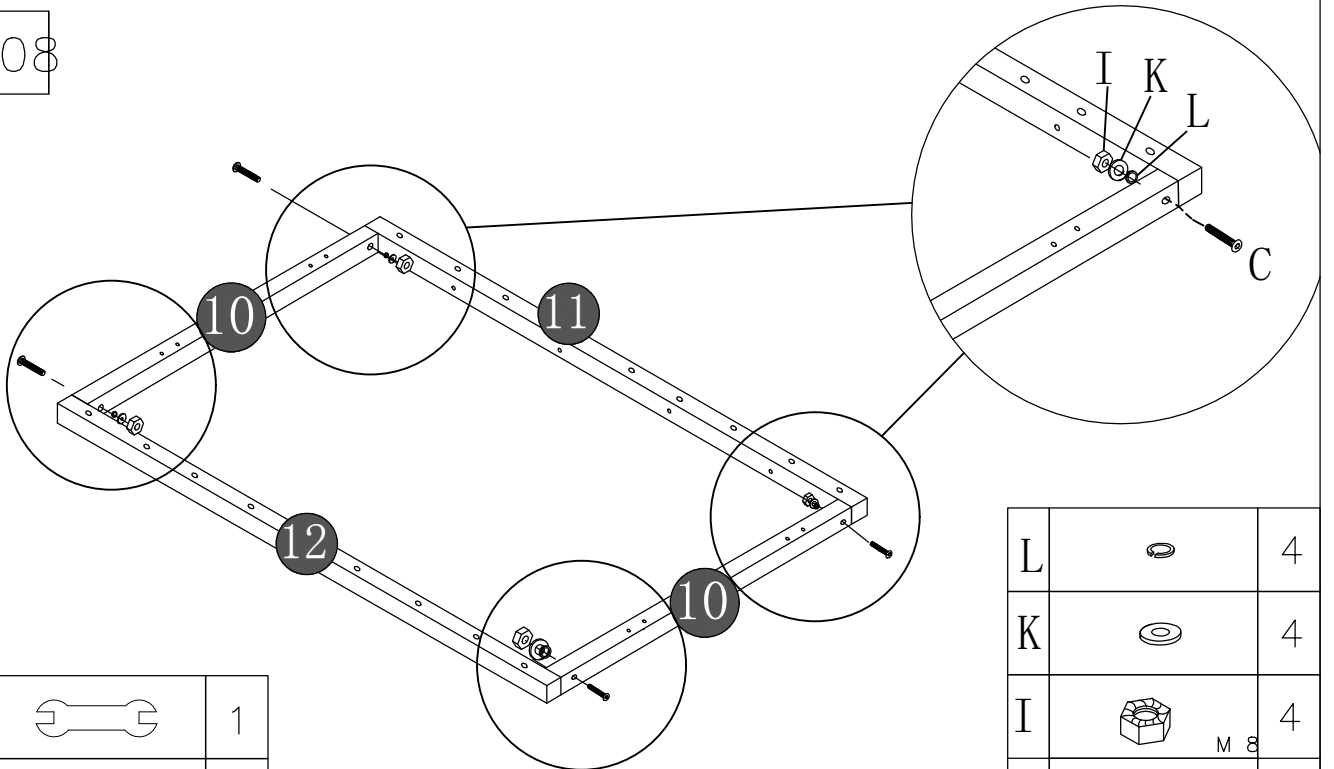
V		1
---	--	---

A		18
---	--	----

07



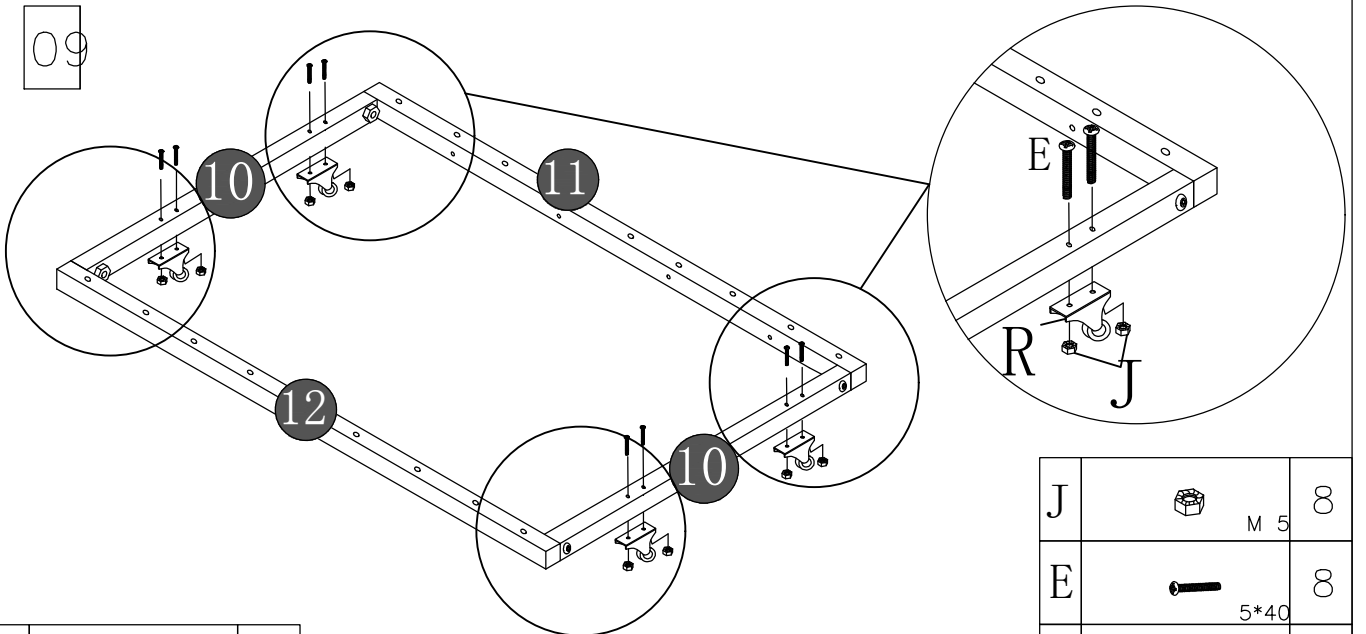
08



T		1
V		1

L		4
K		4
I	M 8	4
C	8*45	4

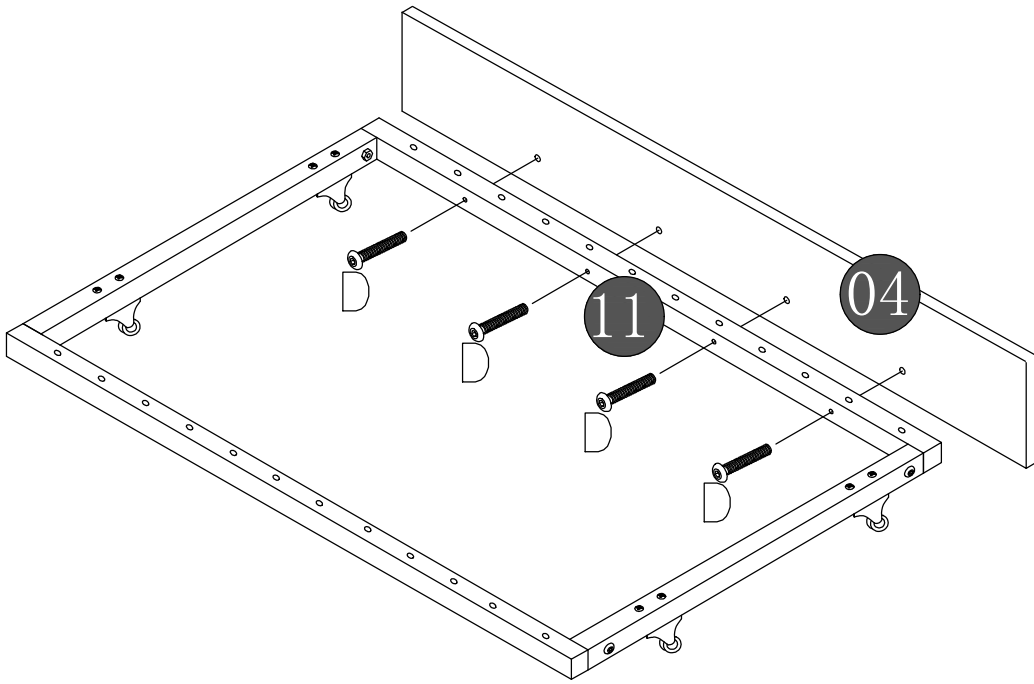
09



J	M 5	8
E	5*40	8
R	4CM	4

U		1
---	--	---

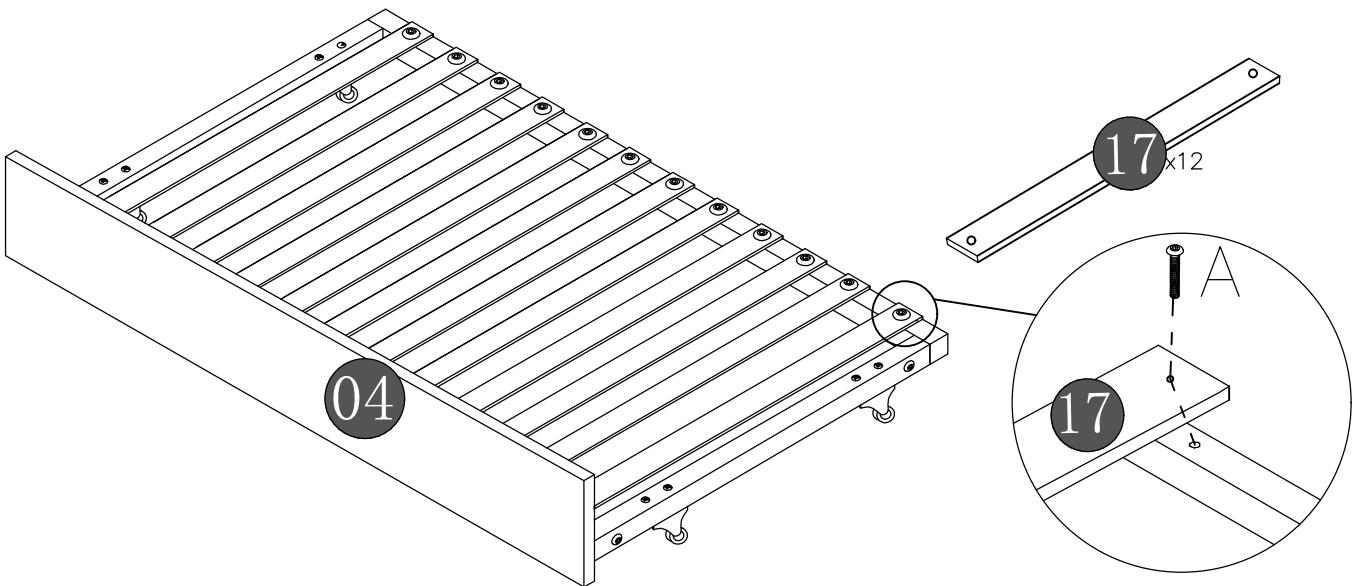
10



V		1
---	--	---

D		4	8*50
---	--	---	------

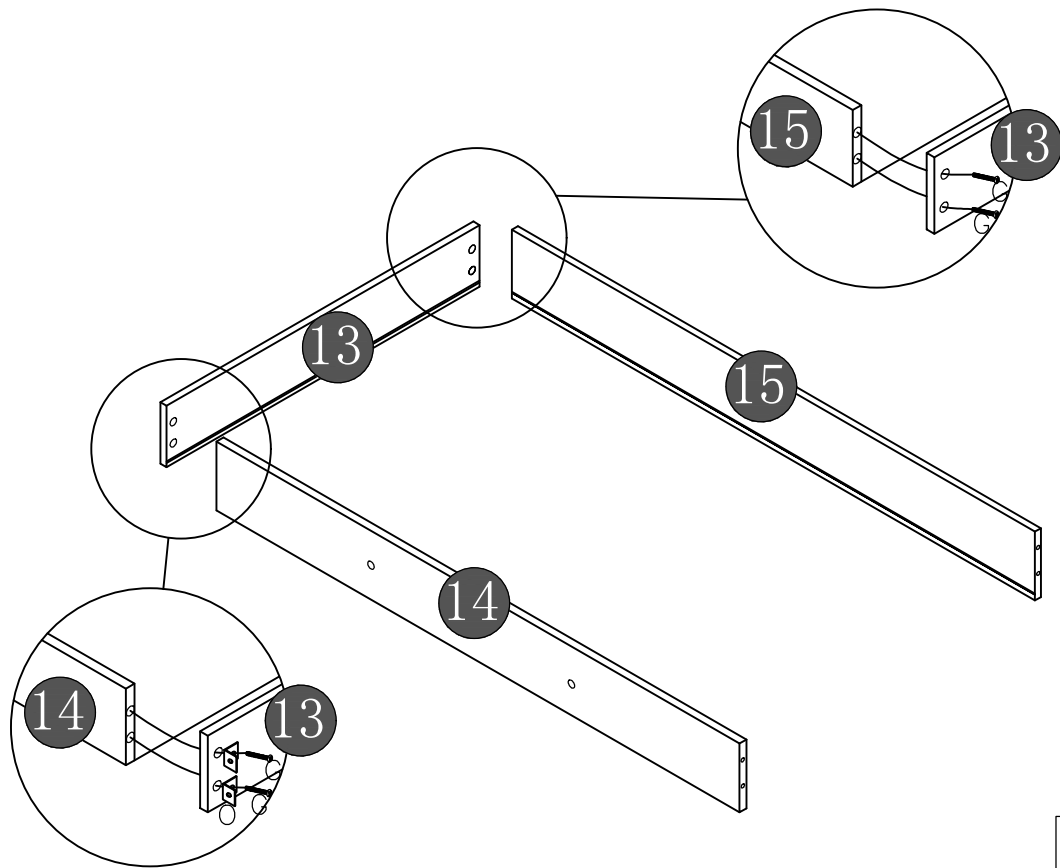
11






V		1
---	--	---

A		24	8*20
---	--	----	------

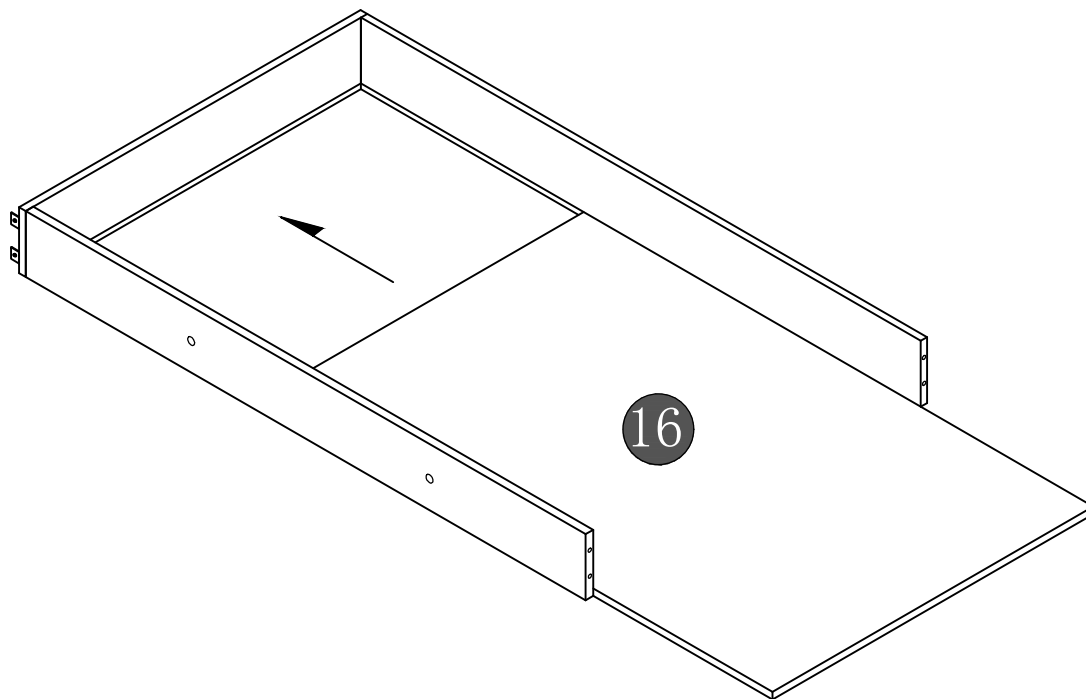
12



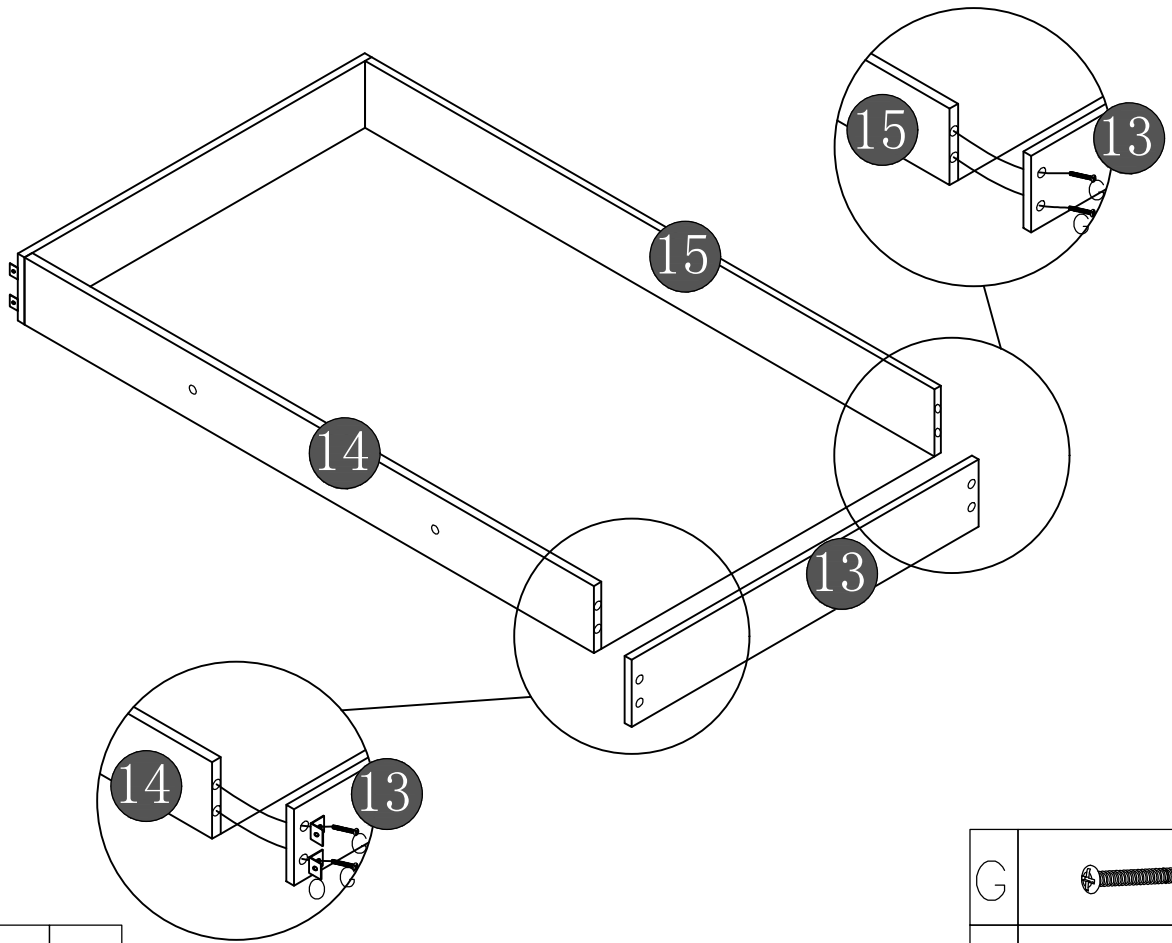
U		1
---	---	---



G	 4*25	8
O		4


13



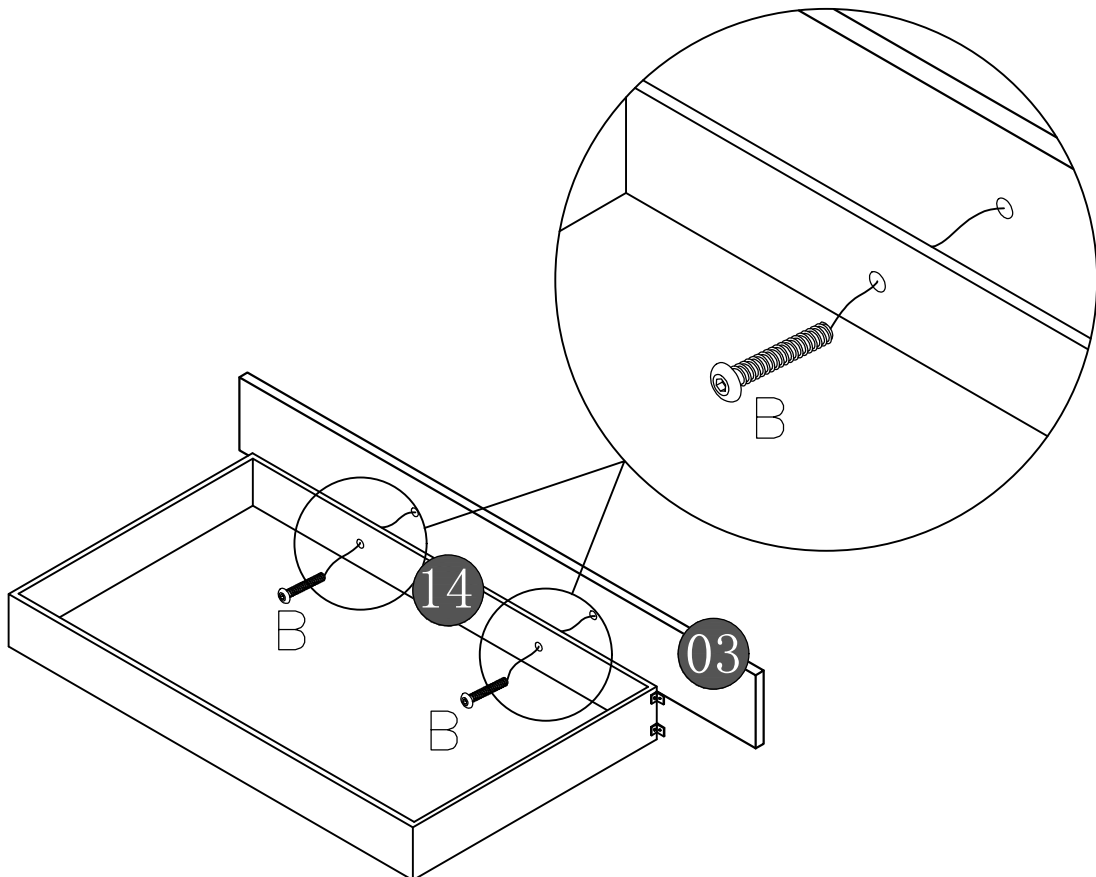
14

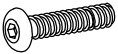


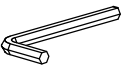
G	 4*25	8
O		4

U		1
---	---	---

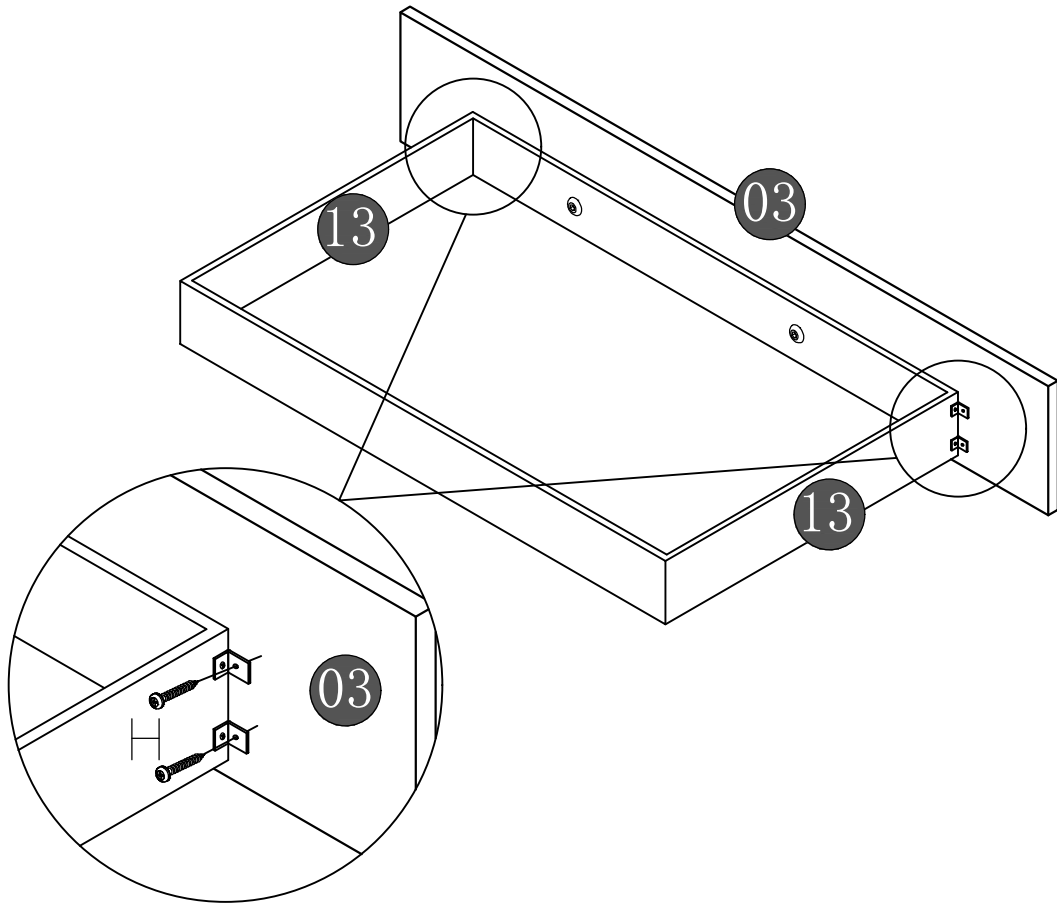
15





B	 8*35	4
---	---	---

V		1
---	---	---

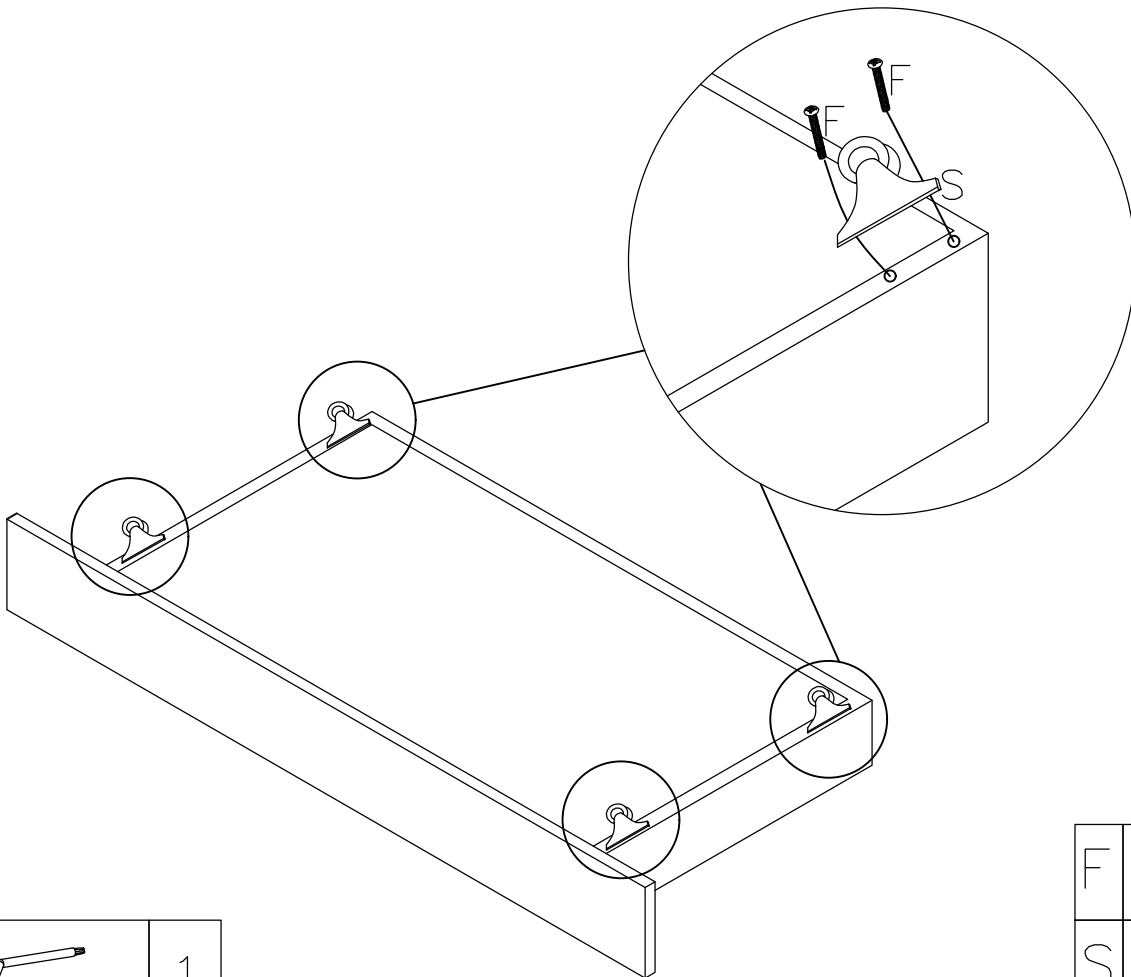
16






U		1
---	---	---

H		8
		3.5*15

17



U		1
---	---	---

F		16
		4*16
S		8
		1.0

