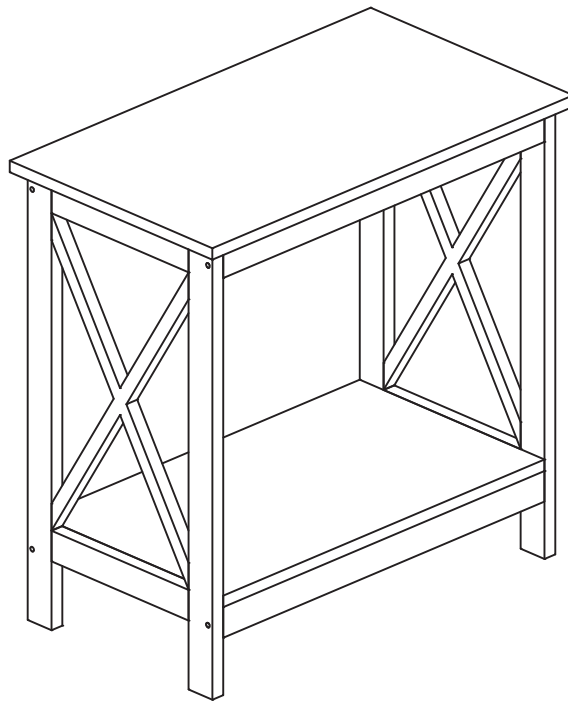


# Oxford Chair Side Table



## Assembly Instructions

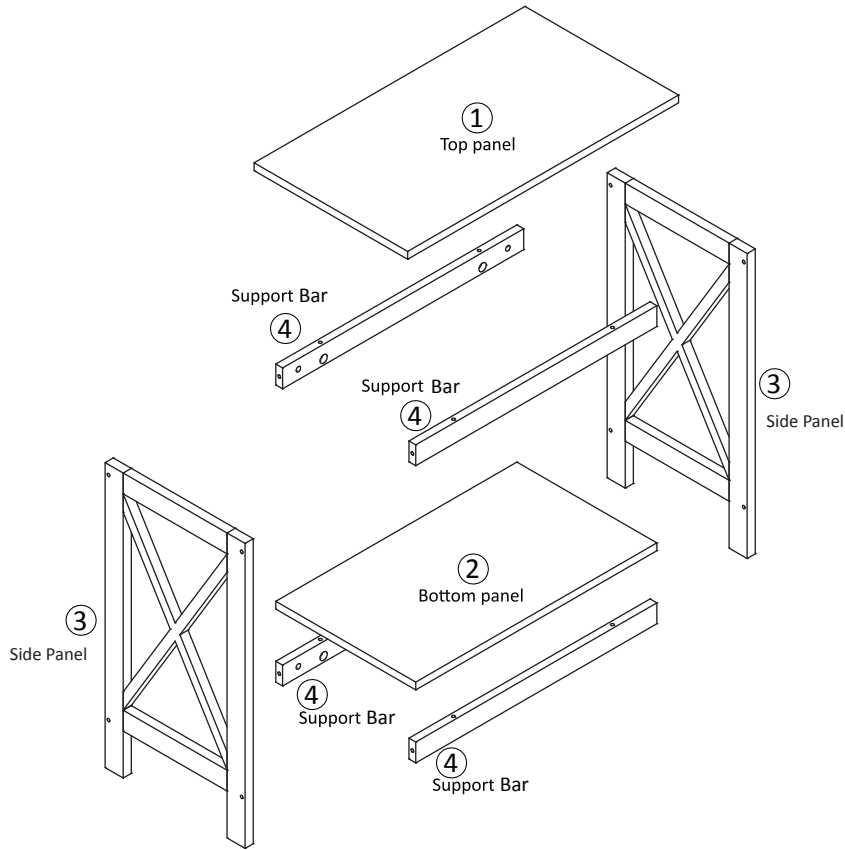
We have designed our furniture with you, the customer in mind. Our clear, easy to follow step by step instructions will guide you through the project from start to finish.

Feel confident that this will be a fun and rewarding project. The final product will be a quality piece of furniture that will go together smoothly and give years of enjoyment.

Please do not return to the store



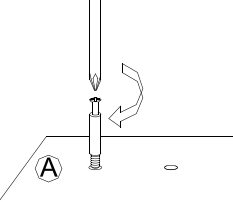
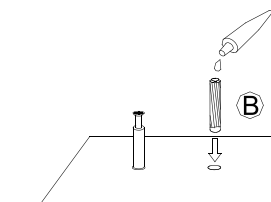
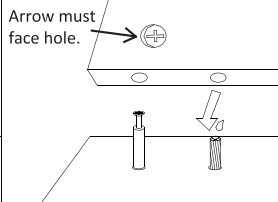
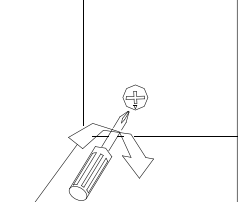


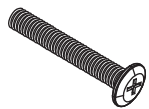
\*Special Note: We recommend the use of a hand screwdriver to avoid the stripping of screw heads.\*



Items not provided.

Assembling the unit with cams and wood dowels.

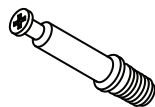
					
Phillips Head Screw Driver	Optional	Gently screw cam bolt into the threaded anchor.	Lightly glue one end of the wood dowel and tap halfway into hole.	Lightly glue wood dowel and connect to second panel by inserting dowels into holes. Arrow must face hole.	Gently tighten camlock.



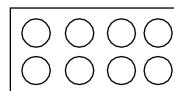
A x8 Bolt



B x8 Bolt Nut



C x8 Cam Bolt



H x8 Stickers

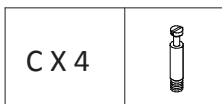


I x8 Cam Lock

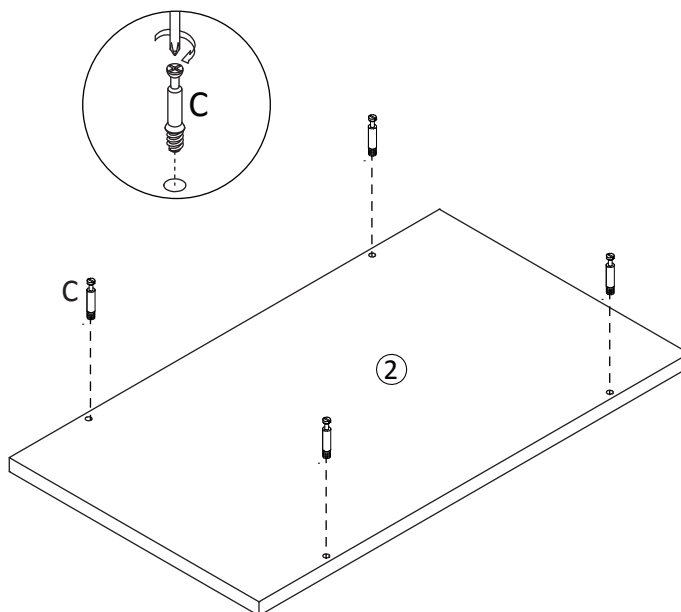


Please do not use any power tools in the assembly of this item. Use of power tools may cause damage and void manufacture warranty.

# Step 1



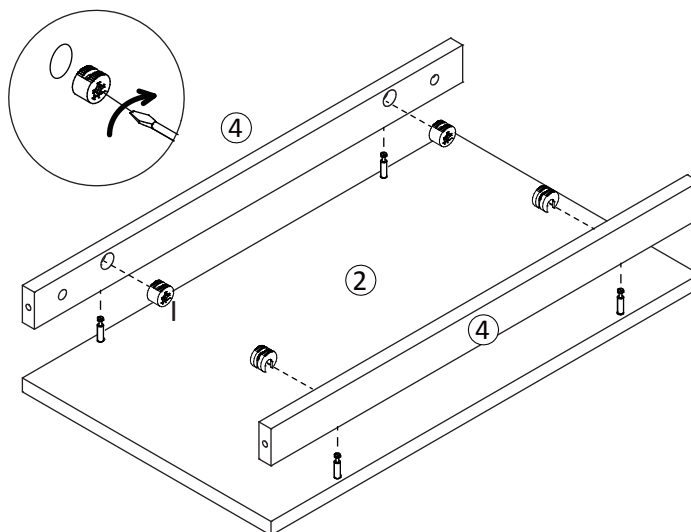
1.Screw Cam Bolts(C) into Bottom Panel ②.



# Step 2





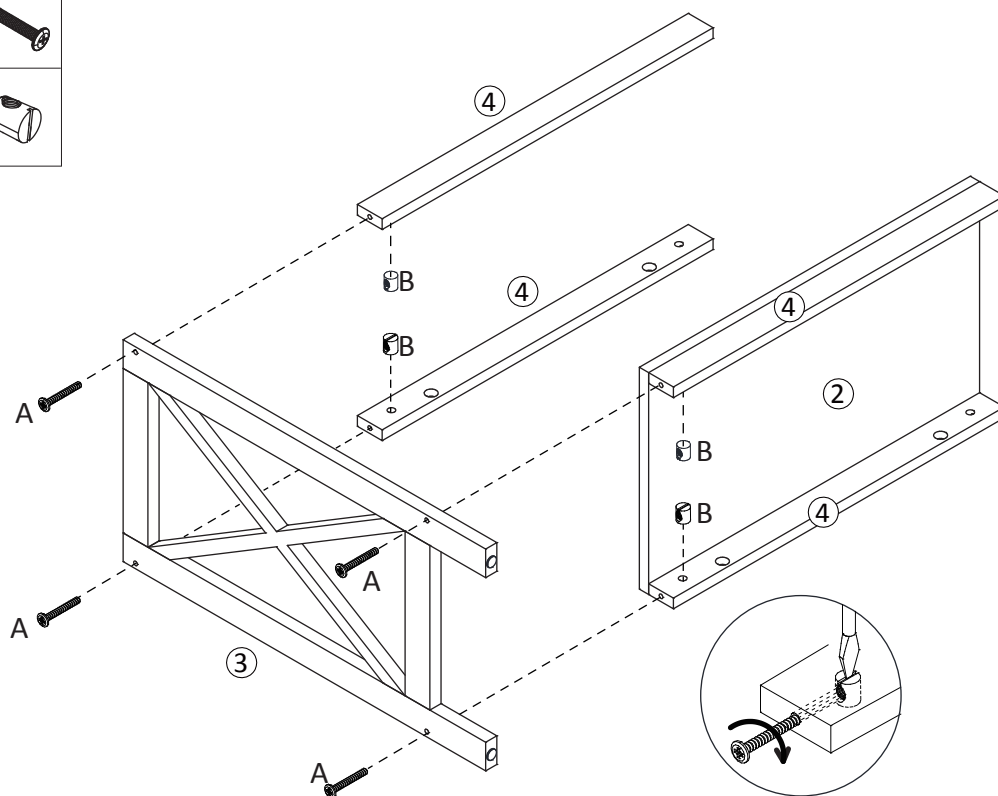
1.Insert Cam Lock (I) into 2 Support Bars ④ .  
2.Connect Support Bars ④ to Bottom Panel ② by gently tightening Cam Locks (I).



## Step 3

1. Carefully connect Left Panel (3) to Bottom Panel (2) and Support Bars (4) using Bolts (A) and Lock Nuts (B).

A X 4	
B X 4	





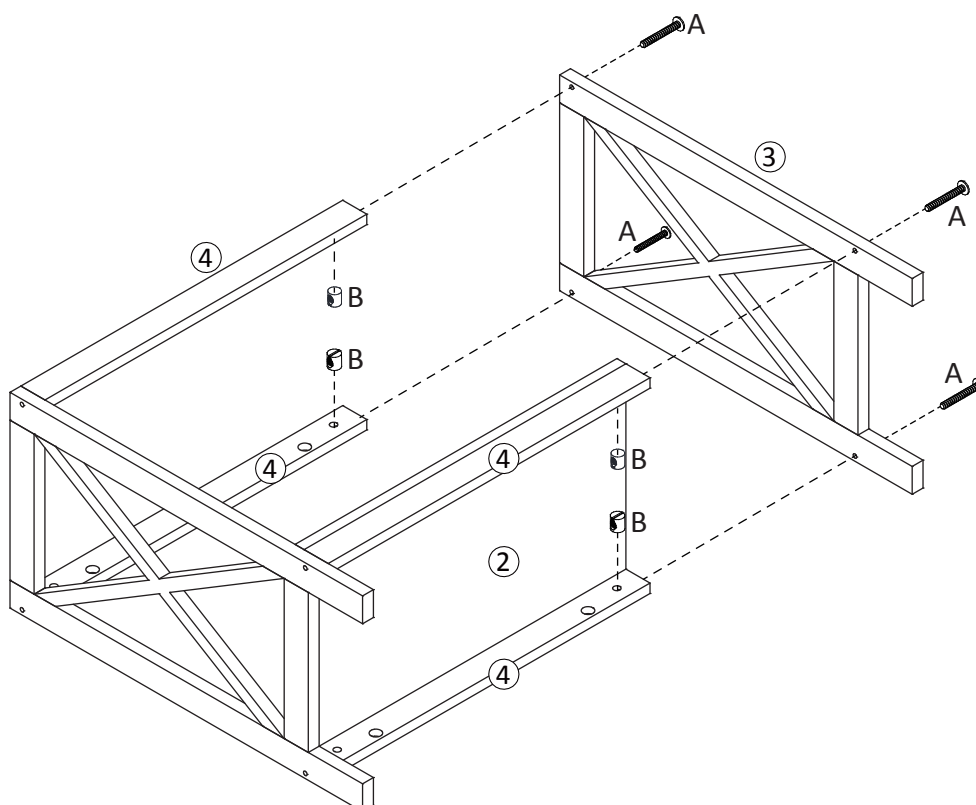
\*Make sure threaded holes in Lock Nut (B) are facing Bolt (A) entrance hole.\*

\*Take extra care with Support Bars (4) while they are awaiting Step 4.\*

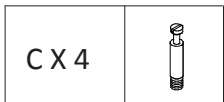
## Step 4

1. Repeat Step 3 using Side Panel (3).

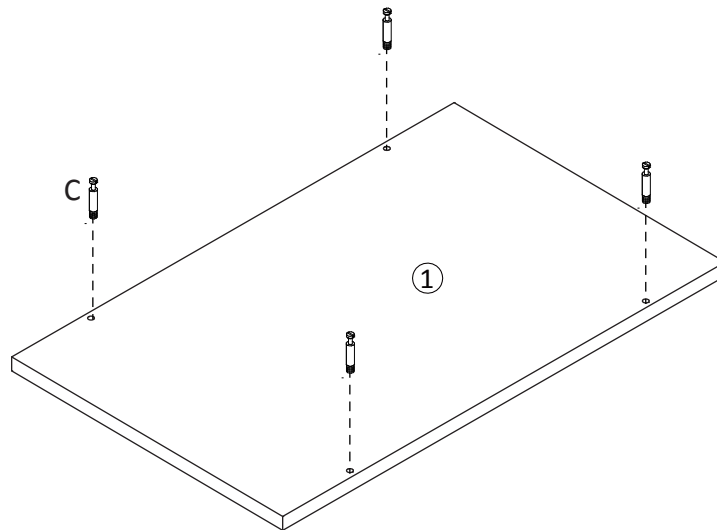
A X 4	
B X 4	



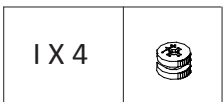
## Step 5



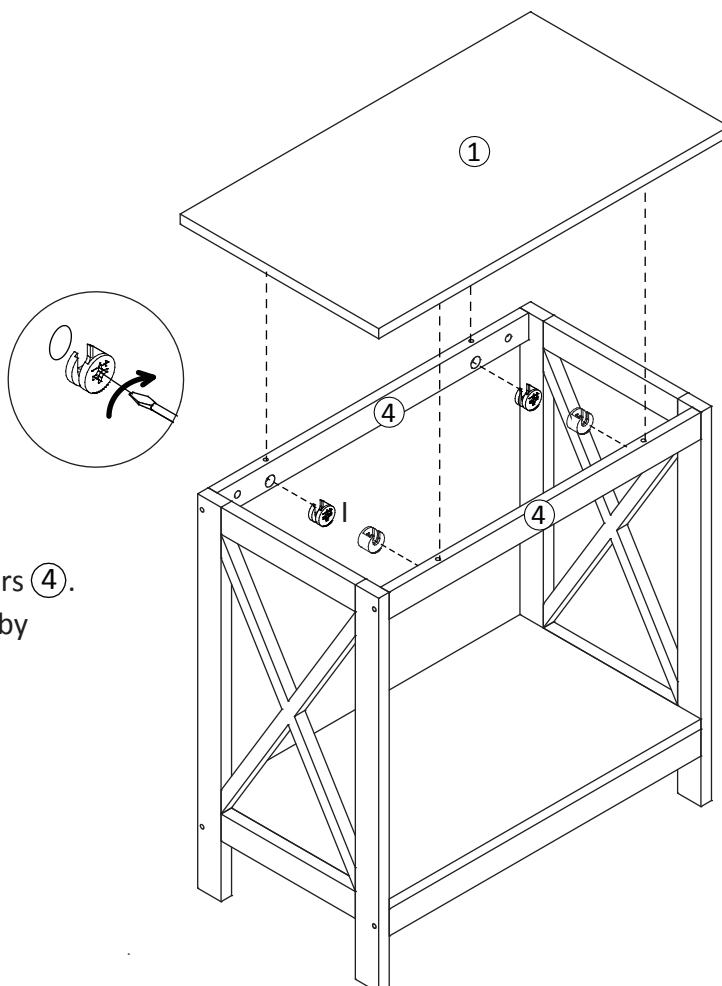
1.Screw Cam Bolts(C) into Top Panel ①.



## Step 6

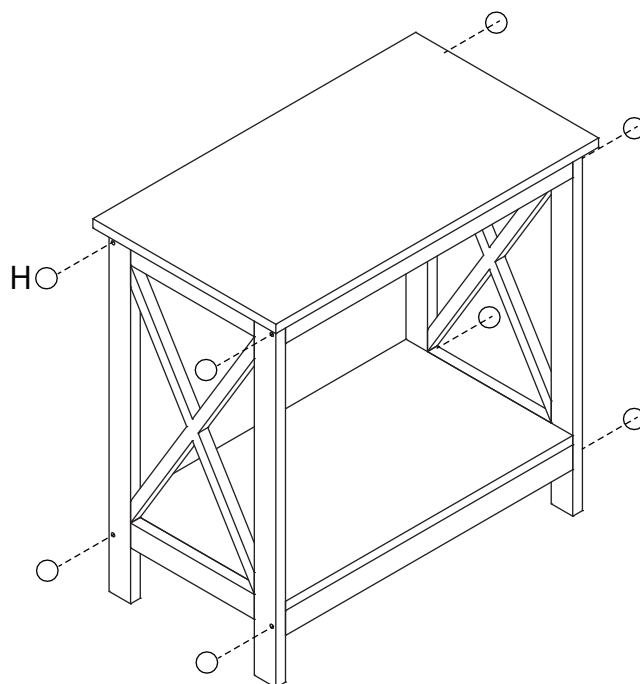


- 1.Insert Cam Locks (I) into Support Bars ④.
- 2.Connect assembly to Top Panel ① by gently tightening Cam Locks (I).



# Step 7

H X 8	○
-------	---



- 1.If desired,place Stickers (H) over screw holes.
- 2.Enjoy.