

AIRDoctor®

BY IDEAL LIVING

Always There, Protecting You and Your Air.



airdoctorpro.com

AD5500 / MNL / US / 12.23.R5

    Follow Us! @AirDoctorPro

AIRDoctor®
BY IDEAL LIVING

USER MANUAL

AD2000 AIR PURIFIER

Always There, Protecting You and Your Air.



**IMPORTANT
SAFETY RULES**

Read, understand and follow all instructions and safety information in this Manual before installing and using this product.

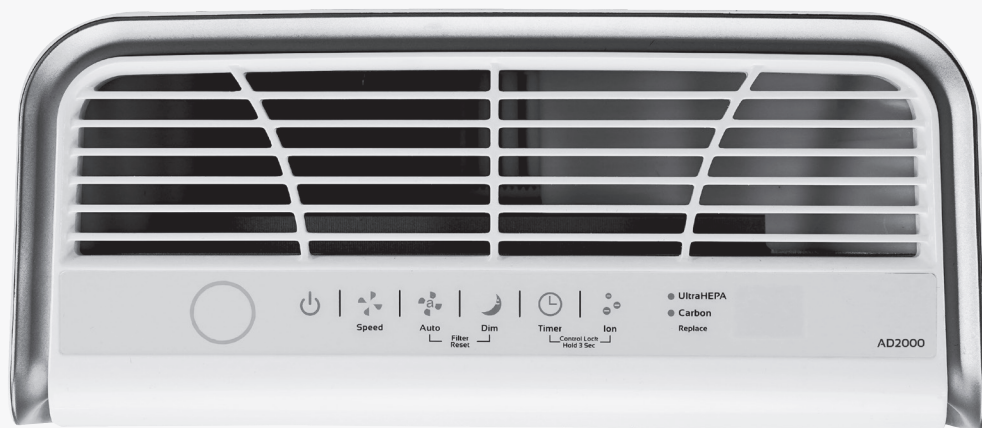


THANK YOU

Congratulations on purchasing the AirDoctor 2000 air purifier.

Your AirDoctor 2000 is a powerful air purification system designed to improve your indoor air quality. Its UltraHEPA® filter effectively captures and reduces particles as small as 0.003 microns in size. AirDoctor also comes equipped with an Activated Carbon/VOC Filter specifically designed to reduce Volatile Organic Compounds (VOCs). Get ready to enjoy a healthier and cleaner environment.

PLEASE NOTE: It is crucial that you read and follow all the instructions and safety warnings in this manual for optimal performance of your air purifier and your health and safety.



AD2000

TABLE OF CONTENTS

SAFETY INSTRUCTIONS	2
PRODUCT BENEFITS	3
KNOWING YOUR AIRDOCTOR 2000 AIR PURIFIER	4
Main Parts	4
PROPER USAGE	5
OPERATING YOUR AIRDOCTOR AIR PURIFIER	6
Air Quality Monitor	6
Control Panel	7
Control Lock Feature	7
MAINTENANCE	8
Maintaining the AirDoctor Air Purifier	8
FAQ & TROUBLESHOOTING	9
CUSTOMER SERVICE CONTACT INFORMATION	11
AIRDOCTOR ONE-YEAR LIMITED WARRANTY	11
ARBITRATION AGREEMENT	12

SPECIFICATIONS

Dimensions:

13.85 inches wide
6.6 inches deep
18.72 inches tall

Weight:

10 lbs

Power Cord Length:

6 feet

Power Consumption:

8 watts on the low setting and 55 watts on the high setting.

AD2000

IMPORTANT SAFETY INSTRUCTIONS

⚠ WARNING

- ⦿ Safety precautions must always be used when installing and operating this or any electrical or mounted appliance to avoid electrocution or injury from a falling unit.
- ⦿ Read and follow all instructions and warnings before installing or operating this appliance to reduce the risk of injury, electrocution, or fire.
- ⦿ Use this product only as described in this Manual.
- ⦿ To reduce the risk of electric shock or other injury, do not attempt to service this product in any way other than as stated in the "Maintenance" section of this Manual.
- ⦿ The AirDoctor Professional Air Purifier is an electrical appliance. Adult supervision is required when operating around children.
- ⦿ The AirDoctor operates at 120V AC, 60 Hz only.
- ⦿ The AirDoctor should be installed and used only in a safe and proper location.
 - Do not use the AirDoctor in bathrooms, near sinks or other wet and humid environments, near fireplaces or in areas where flammable or combustible vapors or products may exist.
 - Never install the AirDoctor near or above where children may sleep or play, and always keep it and the cord out of reach of children to reduce the risk of injury to children, including injury from a child grabbing the cord or if the unit were to fall.
 - Do not operate the AirDoctor in a greasy environment such as in the kitchen. The AirDoctor is not intended to filter oil or grease from the air.
 - Do not run the power cord under carpets or cover with throw rugs or other coverings. Do not place cord near a heated surface.
- ⦿ Always use the AirDoctor safely.
 - The AirDoctor has rotating fan blades inside its housing. Use care when operating and keep all foreign objects, fingers and other body parts, hair, loose clothing and jewelry away from openings.
 - Never touch the AirDoctor or its plug when your hands are wet or you are otherwise exposed to moisture.
 - Never operate the AirDoctor unless it is fully assembled.
 - Always turn off all controls before unplugging the AirDoctor from the outlet.
 - Always turn off all controls and unplug the power cord from the outlet when the AirDoctor is not in use, before cleaning, before inserting and/or removing parts, and before moving it to another location.
 - To reduce the risk of electric shock, the AirDoctor has a polarized plug (one blade is wider than the other). This plug will fit into a polarized outlet only one way. If the plug does not fit into the outlet, contact qualified service personnel to install the proper outlet. Do not alter the plug in any way.
 - Never operate the AirDoctor if the plug or cord is damaged or appears damaged. Only qualified service personnel should replace a damaged power cord.
 - Never use the power cord to pick up, carry, drag, pull or lift the AirDoctor. Do not pull the cord against or around sharp corners and edges. This could result in injury to the user and/or damage to the cord.
 - Always remove the plug from its power outlet by holding onto the plug itself and pulling gently. Never pull on the cord itself to unplug it from its power outlet.
 - Attempting to service the AirDoctor in any way not described in this Manual will void the warranty, could result in considerable damage to the unit, and could cause serious personal injury or death.

**FAILURE TO FOLLOW THE SAFETY AND OTHER INSTRUCTIONS IN THIS MANUAL
COULD RESULT IN SERIOUS INJURY OR DEATH**

PRODUCT BENEFITS

THE REVOLUTIONARY AIRDOCTOR AIR PURIFIER CLEANS AIR WITH ULTRAHEPA FILTRATION.

The AirDoctor professional air purifier boasts many great features:

- ⦿ UltraHEPA Filter reduces particles in the air.
- ⦿ High-quality Carbon Filter reduces VOCs (Volatile Organic Compounds).
- ⦿ Powerful and quiet fan has four speed settings so you can select the desired cleaning level.
- ⦿ Air Quality Monitor shows current air quality.
- ⦿ Auto mode automatically adjusts fan speed depending on air quality.
- ⦿ A 24-hour timer to set the time of operation, from 1 hour up to 24 hours.
- ⦿ Built-in ionizer revitalizes air.
- ⦿ Night mode dims the control panel lights when you sleep.
- ⦿ Clean filter indicator lights.
- ⦿ Low-power, consumption-energy efficient.
- ⦿ Control lock feature to avoid accidental changing of setting.

Replacement Filters

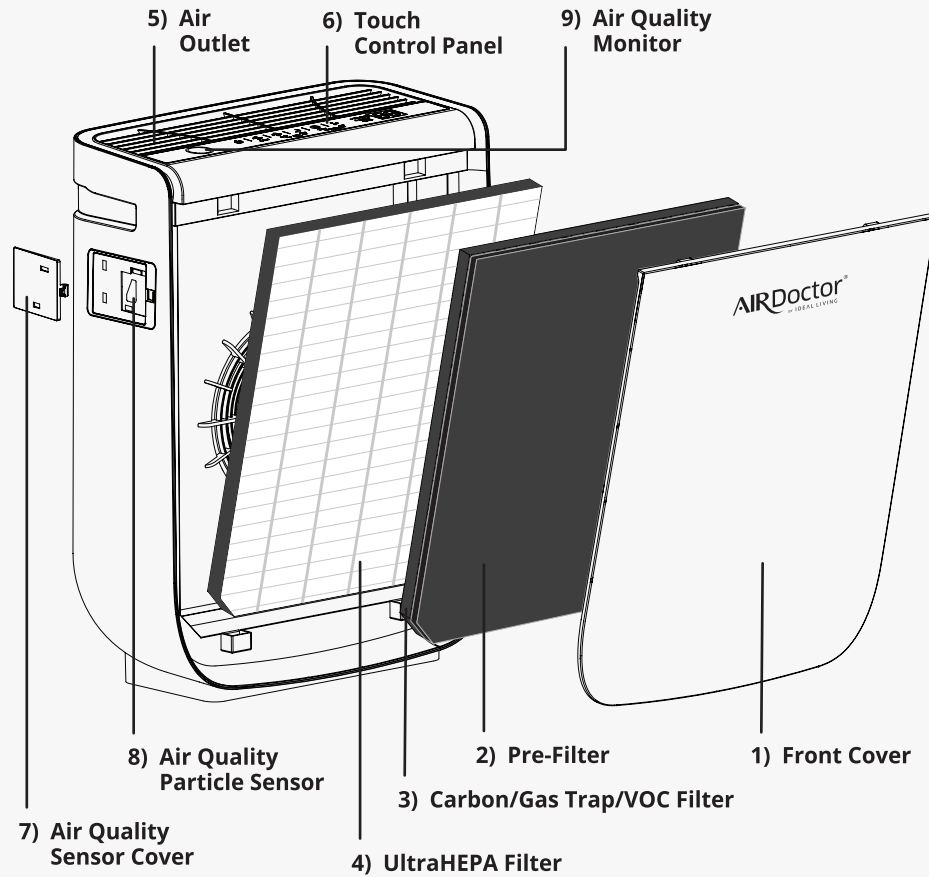
- UltraHEPA Filter
- Carbon Filter
- Pre-Filter

To order replacement filters go to airdoctorpro.com or call 800.221.2515.

KNOWING YOUR AIRDOCTOR 2000 AIR PURIFIER

MAIN PARTS

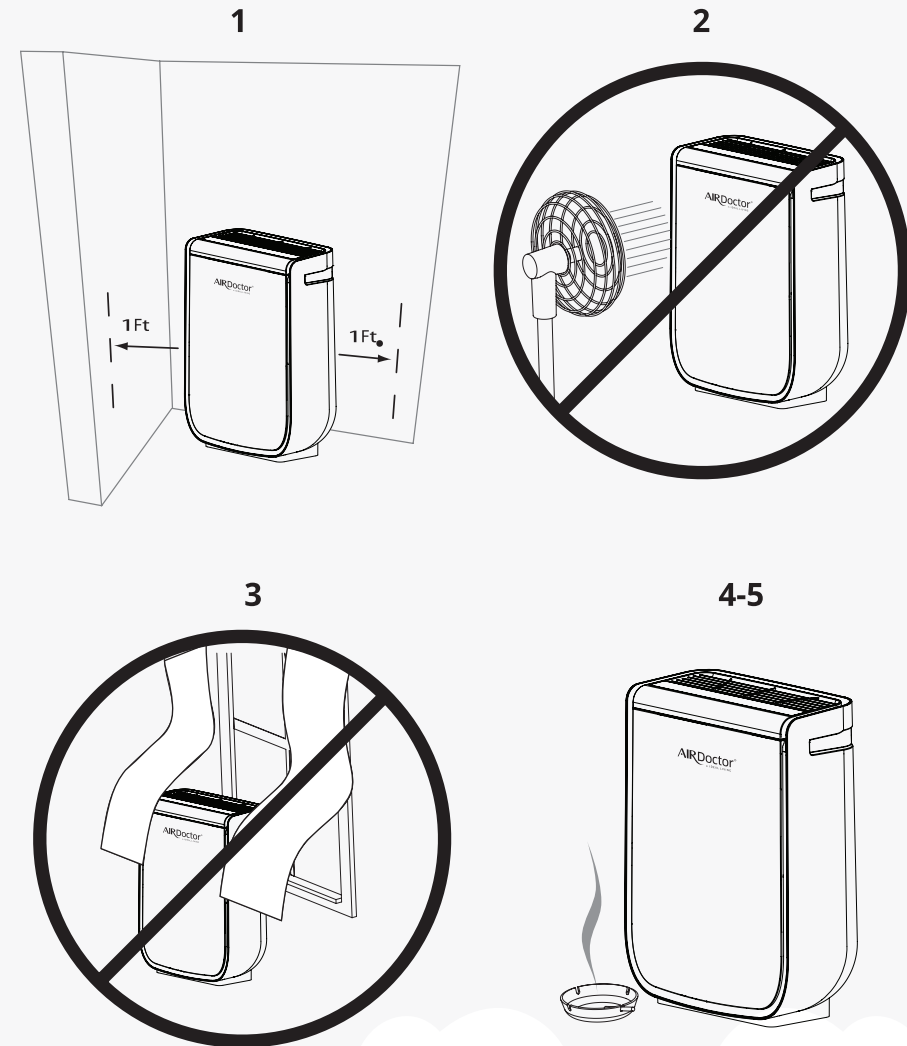
1. Front Cover
2. Pre-Filter (Black foam attached to Carbon Filter)
3. Carbon/Gas Trap/VOC Filter
4. UltraHEPA Filter
5. Air Outlet
6. Touch Control Panel
7. Air Quality Sensor Cover
8. Air Quality Particle Sensor
9. Air Quality Monitor: The display will change color depending on air quality.



PROPER USAGE

Please note: Make sure the UltraHEPA and Carbon/Gas Trap/VOC Filters are properly installed before use. If filters are not installed properly, the AirDoctor will not operate effectively.

1. Keep both sides of the unit more than 1 foot away from a wall.
2. Do not blow air from a fan or air conditioner directly into the air purifier.
3. Do not place the unit where the air inlet or outlet grill could come in contact with curtains or drapery.
4. Place the unit close to the source of air pollution to improve indoor air quality effectively.
5. Always place/keep the unit on the floor/ground.



OPERATING THE AIRDOCTOR 2000 AIR PURIFIER

WARNING



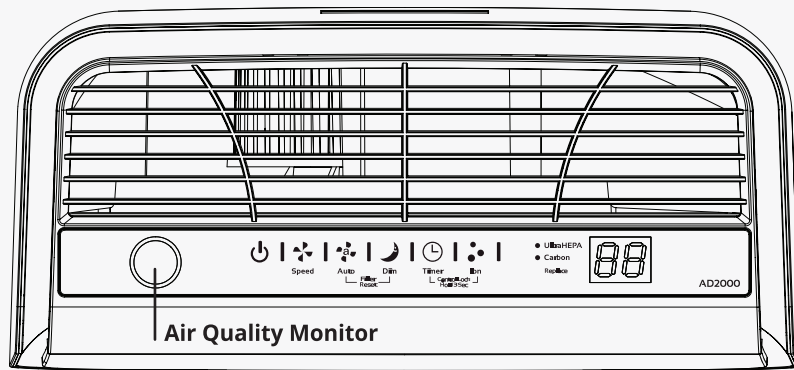
Install Appliance and Cord Out Of Reach Of Children And Pets
To Avoid Risk Of Harm From Electrocutation or From Children Touching/Pulling the Unit or Cord, or From a Falling Unit
Never Install Unit Near Or Above Where Children May Sleep Or Play
Follow All Installation Instructions Carefully
After Installation Confirm Unit is Secure And Can Not Fall
FAILURE TO FOLLOW THE SAFETY AND OTHER INSTRUCTIONS IN THIS MANUAL COULD RESULT IN SERIOUS INJURY OR DEATH



Risk of Electrical Shock
Read And Follow All Instructions In This Manual For Safe Use Of This Electric Appliance
Turn off controls and unplug unit when not in use
Never use near water or with wet hands
Supervise when operating around children
FAILURE TO FOLLOW THE SAFETY AND OTHER INSTRUCTIONS IN THIS MANUAL COULD RESULT IN SERIOUS INJURY OR DEATH



Rotating Fan Blades
Keep Fingers, Hair, Loose Clothing, Jewelry And Foreign Objects Away From Openings To Avoid Injury
FAILURE TO FOLLOW THE SAFETY AND OTHER INSTRUCTIONS IN THIS MANUAL COULD RESULT IN SERIOUS INJURY OR DEATH



To avoid the risk of overheating, before first use, remove filters and plastic bags from the Carbon filters, then reinstall filters and front cover.

Plug the unit into an electrical outlet, and it will be ready to run. Read the following instructions to select desired settings.

AIR QUALITY MONITOR

The AirDoctor features an Air Quality Monitor that continuously monitors the quality of air in a room. The LED indicator light, located on the top of the unit, will change colors based on the air quality in the room. The Air Quality Monitor is able to show three air quality levels.

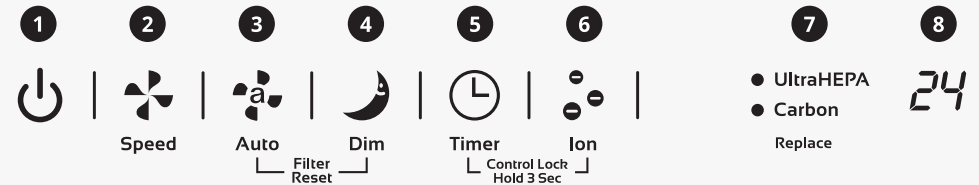
BLUE = Good air quality / **ORANGE** = Moderate air quality / **RED** = Poor air quality

You can choose to set the AirDoctor to **Auto**. This will enable the AirDoctor to adjust the fan speed according to the air quality. In Auto mode, the fan speed will be adjusted as follows:

Good Air Quality = Fan Speed 1


Moderate Air Quality = Fan Speed 2

Poor Air Quality = Fan Speeds 3 and 4



CONTROL PANEL

1. Power Control

As soon as you press the power button , the AirDoctor will start in auto mode. Once auto mode has been activated, it will start up in the high-speed mode, and the sensor will start to detect the amount of particulate matter in the air. As the particles are detected, the AirDoctor will automatically adjust to the purification speed (fan speed) that is appropriate to the particulate contamination in the room.

In most cases, we recommend that you leave the AirDoctor in auto mode. For other purification modes, see below.

2. Fan Speed Control

The AirDoctor has four different fan speed settings: Low, Medium, High and Boost. Each mode has its own indicator light that lights up when the setting is chosen. The speed selected determines how rapidly you want to clean the air. **Speeds 1 and 2** are great for everyday use. **Speed 3** is great for areas with more airborne contaminants (such as excessive smoke, pet dander, etc.) or areas used frequently by allergy sufferers. **Speed 4** is best used for shorter bursts of time when you want to rapidly purify the air.

3. Auto Mode

The AirDoctor is equipped with an air quality sensor to monitor the quality of your air. Simply press the **Auto** button to activate the air-monitoring system. The monitor will test the air quality and automatically adjust the fan speed to remove the air contaminants. The **LED ring** is on the top of the unit to notify you of the air quality; **RED** color for poor, **ORANGE** for moderate and **BLUE** for good quality air.

4. Dim Mode

If the LED lights are too bright, activate the **"Dim Mode"** to turn them off.

5. Timer Control

The AirDoctor air purifier can be programmed to turn off after a preset amount of time. Press the **"TIMER"** button to program the timer. Each press will add 1 hour up to a total of 24 hours. Keeping the button pressed will automatically

increase to 24 hours, 1 hour at a time. To turn off the timer, cycle through the numbers until you reach the beginning, and no numbers show on the display.

6. Ionizer

The ionizer generates negative ions. This helps boost filtration performance by causing contaminants to clump together and making them easier to capture, but also creates a fresh air feeling. Press the **Ion** button to turn on the Ionizer. Press it again to turn it off.

7. Replace Filter Indicator Light

The AirDoctor Replace Filter Indicator Light will turn on each time a filter needs to be replaced. To reset the Replace Filter alert after you have changed out the appropriate filter, **press the Auto and Dim together for 3 seconds**. The **REPLACE FILTER** light will flash three times and then turn off completely, indicating the unit has been reset.

8. 24-Hour Timer Display

Includes a **24 hour timer** display to set the **time** of operation, from 1 hour up to **24 hours**.

CONTROL LOCK FEATURE

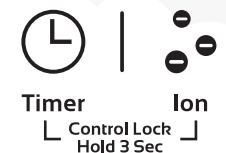
The AirDoctor has a control lock feature to prevent a person (child) or a pet from interrupting the running mode by accident. When the control lock feature has been activated, none of the buttons on the control panel will work. The only way to change any setting is to deactivate the control lock feature or to unplug the AirDoctor.

To activate control lock feature

- Press **"Timer"** and **"Ion"** at the same time for **3 seconds**
- This may be done at any time while the AirDoctor is running, including on Dim mode

To deactivate control lock feature

- Press **"Timer"** and **"Ion"** at the same time for **3 seconds**

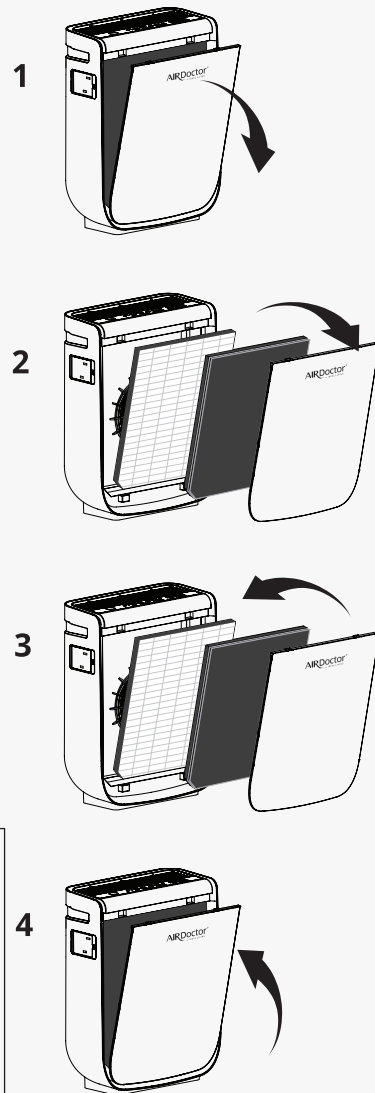


MAINTENANCE

The AirDoctor air purifier requires minimal maintenance. The high-quality Carbon/Gas Trap/VOC filter lasts up to six months and our UltraHEPA filter lasts up to 12 months, depending on use and environment conditions. Before replacing the UltraHEPA or Carbon/Gas Trap/VOC filter of your AirDoctor air purifier, turn off and unplug the unit from the electrical outlet, and read all safety instructions and important warnings in this owner's manual.

REPLACING THE ULTRAHEPA AND CARBON/GAS TRAP/VOC FILTERS:

1. Make sure the unit is turned off and unplugged. With the front of the unit facing forward, gently pull the upper end of the lid towards you (as shown) and remove the front cover.
2. Remove the UltraHEPA and Carbon/Gas Trap/VOC filters by lifting and pulling the tabs on both sides of the filters.
3. Insert the new filter(s) that need replacing, then insert the bottom of the inlet grill first and then snap the upper part of the front cover back into position.
4. To close the front cover, first make sure the bottom hooks are properly in place before snapping it up to its upright and locked position.
5. After replacing the filters, hold down the auto and dim buttons on the control panel to reset the replace filter lights.



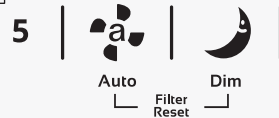
The importance of Genuine AirDoctor Replacement Filters!

Genuine AirDoctor replacement filters are guaranteed by AirDoctor and independently tested to remove dangerous airborne contaminants. Generic (third-party) aftermarket filters may be of questionable quality and may not be tested for effectiveness. They are also not certified to work with AirDoctor. For air quality you can trust, and to maintain the optimal performance you depend on from AirDoctor, always use genuine AirDoctor replacement filters.

Notice: Damage caused by third party replacement filters is not covered your warranty.

CLEANING THE PRE-FILTER

1. Make sure the unit is turned off and unplugged. With the unit facing forward, pull the cover towards you at the upper end and remove the front cover.
2. Gently vacuum your pre-filter. You may do this monthly or as needed if there is more build-up.
3. After you've vacuumed your pre-filter, simply place the front cover back on your AirDoctor.



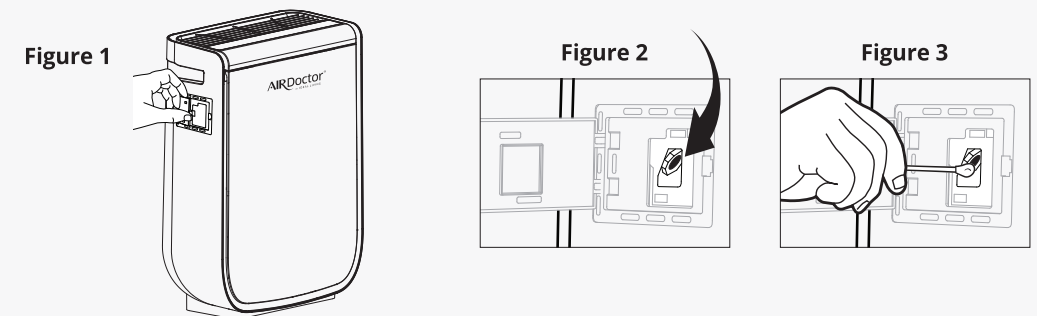
MAINTENANCE

SENSOR CLEANING MAINTENANCE

The AirDoctor is designed with an air quality sensor to track the quality of your air. Over time, the sensor can become dirty and may require cleaning. The main symptom of a dirty air quality sensor is when the LED air quality monitor display remains frozen on one color light. In order to clean it, follow the instructions below.

1. Power off and unplug unit.
2. Locate and open the air quality sensor cover located on the side of the unit. (Fig. 1)
3. Locate the lens of the air sensor located inside the air sensor. (Fig. 2)
4. Use one end of a cotton swab to wipe the lens and remove any debris. Repeat as needed. (Fig. 3)

Caution: Do not scratch the lens with a hard object.



FAQ & TROUBLESHOOTING

Before contacting our customer service department, please try the following solutions:

QUESTION	ANSWER
How often should I change the filters?	UltraHEPA - 12 months Carbon/Gas Trap/VOC - 6 months
Can I wash my filters?	It is important that you never wash your UltraHEPA or Carbon/VOC filters. Doing so will damage your filters, making them unusable. Your pre-filter was designed to be reusable. Avoid washing your pre-filter as you do not want to introduce any moisture onto the filters. We recommend vacuuming your pre-filter monthly for best maintenance and to extend the life of your filters until the next filter change.
How long is the power cord?	The power cord is 6 feet long.

FAQ & TROUBLESHOOTING

Before contacting our customer service department, please try the following solutions:

QUESTION	ANSWER
How much electricity does AirDoctor use?	AirDoctor is highly energy-efficient, only consuming 8 watts on the low setting and 55 watts on the high setting. While utility costs vary across the country, AirDoctor costs about \$30-40 per year to run on Auto-mode 24/7.
Why is the air sensor always red?	<p>If you feel that the sensor is consistently displaying a red light (always at a high speed) and never goes back to blue, please try the following tests:</p> <ol style="list-style-type: none"> 1. Turn your AirDoctor off, on the right side there should be a little panel door. This is the air sensor; open it. 2. Clean the air sensor lens by following the instructions on page 9. Test to see if this improves and if there is a color change on the air quality monitor indicator light. <p>If this did not help, please do the following to test your air sensor:</p> <ol style="list-style-type: none"> 1. Move the AirDoctor into a small unused room like a closet or bathroom and make sure windows and doors are closed. Then turn the AirDoctor on the high-speed setting. 2. After you've done this, leave the unit running on Auto mode for 60 min. 3. Now check to see if the LED light has changed color. 4. If the air sensor LED light did not change color, please contact customer service.
Why is the air sensor always blue?	<p>The blue light indicates that AirDoctor is maintaining healthy air quality. We recommend that you keep the unit in Auto mode as it will automatically adjust to the purification needs of the room.</p> <p>If you feel that the sensor is no longer working, please try the following tests:</p> <ol style="list-style-type: none"> 1. Turn on the AirDoctor and let it run for two minutes. 2. Locate the air sensor on the left side of the air purifier. It's behind a small door. 3. Then, light up a match/candle and blow it out and make sure the smoke is directed towards the air sensor. You can also try to take an old pillow and fluff it next to the sensor. 4. After you've blown up the smoke near it, the light on your AirDoctor should turn orange/red within a minute or so. 5. If the air quality monitor LED light did not change color, please contact customer service.

AIRDOCTOR ONE-YEAR LIMITED WARRANTY

Your AirDoctor professional air purifier is warranted to be free from defects in materials and workmanship for one year from the original purchase date. Should the product have a defect in materials or workmanship, we will repair or replace it without charge to you (a shipping and processing fee will apply). To obtain service under warranty, simply call our customer service center toll-free at **800.221.2515**.

This warranty does not cover damage caused by accident, misuse or any use other than as intended and described in this product manual, or damage resulting from failure to maintain and clean this product as specified in this product manual. This warranty applies only to the original purchaser of the AirDoctor 2000 professional air purifier. This warranty does not cover the filters.

AIRDOCTOR VOC, HEPA, AND PRE-FILTER 30 DAY LIMITED WARRANTY

Your AirDoctor particle filter (HEPA) and VOC (carbon) and Pre-Filter is warranted to be free from defects in material and workmanship for 30 days from the original purchase date. AirDoctor will replace a defective filter at no charge to you and cover any shipping charges. The limited warranty covers normal use only.

ALL EXPRESS AND IMPLIED WARRANTIES FOR THIS PRODUCT, INCLUDING IMPLIED WARRANTIES OF MERCHANTABILITY AND FITNESS FOR A PARTICULAR PURPOSE, ARE LIMITED IN DURATION TO THE WARRANTY PERIOD, AND NO WARRANTIES, WHETHER EXPRESS OR IMPLIED, WILL APPLY AFTER THIS PERIOD.

Some states do not allow limitations on the duration of implied warranties, so the above limitation may not apply to you. While this warranty gives you specific legal rights, you may also have other rights which may vary from state to state.

CONTACT INFO FOR WARRANTY SERVICE:

AirDoctor
 P.O. Box 9159 | Van Nuys, CA | 91409-8291
 800.221.2515 | airdoctorpro.com
 ©2023 AirDoctor, LLC. All Rights Reserved.

AIRDoctor[®]
 BY IDEAL LIVING

 Follow Us! @AirDoctorPro

ARBITRATION AGREEMENT

PLEASE READ THIS AGREEMENT CAREFULLY. YOU ACCEPT THE TERMS OF THIS AGREEMENT BY RETAINING THE PRODUCT(S) SHIPPED IN CONNECTION WITH THIS AGREEMENT (THE "PRODUCTS") FOR MORE THAN THIRTY (30) DAYS AFTER RECEIPT. IF YOU DO NOT AGREE TO THE TERMS OF THIS AGREEMENT, YOU MAY RETURN THE PRODUCT TO THE COMPANY WITHIN THIRTY (30) DAYS OF RECEIPT FOR A FULL REFUND.

THIS ARBITRATION AGREEMENT ("AGREEMENT") AFFECTS YOUR LEGAL RIGHTS AND REMEDIES BY PROVIDING THAT DISPUTES BETWEEN YOU AND THE MANUFACTURER, DISTRIBUTOR AND/OR SELLER OF THIS PRODUCT (COLLECTIVELY, "COMPANY"), MUST BE RESOLVED THROUGH BINDING ARBITRATION AND NOT IN COURT. IT ALSO PROVIDES THAT ANY DISPUTE CANNOT BE RESOLVED IN A CLASS ACTION OR OTHER PROCEEDING WHERE YOU REPRESENT OTHER PERSONS OR OTHER PERSONS REPRESENT YOU, AND THAT NO CLASS OR REPRESENTATIVE ARBITRATIONS ARE PERMITTED. PLEASE CAREFULLY READ ALL TERMS IN THIS AGREEMENT.

- 1. RESOLUTION OF CLAIMS OR DISPUTES.** Any claim or dispute between you and the Company (or any of the Company's subsidiaries or affiliates) arising out of or relating in any way to the Product or this Agreement shall be resolved through final, binding arbitration. This arbitration obligation is reciprocally binding on both you and the Company and applies regardless of whether the claim or dispute involves a tort, fraud, misrepresentation, product liability, negligence, violation of a statute, or any other legal theory. Both you and the Company specifically acknowledge and agree that you waive your right to bring a lawsuit based on such claims or disputes and to have such lawsuit resolved by a judge or jury.
- 2. LIMITATION OF LEGAL REMEDIES.** All arbitrations under this Agreement shall be conducted on an individual (and not a class-wide) basis, and an arbitrator shall have no authority to award class-wide relief. You acknowledge and agree that this Agreement specifically prohibits you and the Company from commencing arbitration proceedings as a representative of others or joining in any arbitration proceedings brought by any other person. The parties agree that no class or representative actions of any type are permitted.
- 3. ARBITRATION PROCEDURES.**
 - a. Before instituting an arbitration, if you have any dispute, we strongly encourage you to contact the Company to try to resolve the matter by calling 800.221.2515, although you are not required to do so.
 - b. The arbitration of any claim or dispute under this Agreement shall be conducted in accordance with the expedited procedures set forth in the JAMS Comprehensive Arbitration Rules and Procedures as those Rules exist on the date you receive the Product, including Rules 16.1 and 16.2 of those Rules. These rules and procedures are available by calling JAMS or by visiting its website at jamsadr.com. The arbitration of any claim or dispute under this Agreement shall be conducted by an arbitrator who has at least five years of experience conducting arbitrations.
 - c. The arbitration of any claim or dispute under this Agreement shall be conducted in the State of California or the location in which you received this Agreement. For claims of \$10,000 or less, you may choose whether the arbitration proceeds in person, by telephone, or based only on submissions.
 - d. The Company shall pay costs for the arbitration of claims, including any JAMS Case Management Fee and all professional fees for the arbitrator's services. The Company shall pay the fees and costs of its own counsel, experts and witnesses and shall not be able to recoup them from you even if you do not prevail in the arbitration. Unless otherwise provided by law, you acknowledge and agree that you shall pay the fees and costs of your own counsel, experts and witnesses.
- 4. CHOICE OF LAW.** The arbitration provisions of this Agreement and any arbitration conducted pursuant to the terms of this Agreement shall be governed by the Federal Arbitration Act (9 U.S.C. Secs. 1-16). In this respect, the parties acknowledge that this Agreement involves a transaction conducted in interstate commerce. Otherwise, this Agreement and the rights of the parties hereunder shall be governed by and construed in accordance with the laws of the State of California, exclusive of conflict or choice of law rules.
- 5. SEVERABILITY.** If any provision of this Agreement is declared or found to be unlawful, unenforceable or void, such provision will be ineffective only to the extent that it is found unlawful, unenforceable or void, and the remainder of the provision and all other provisions shall remain fully enforceable.

ACUERDO DE ARBITRAJE

LEA ATENTAMENTE ESTE ACUERDO. USTED ACEPTA LOS TÉRMINOS DE ESTE ACUERDO AL CONSERVAR EL PRODUCTO (LOS PRODUCTOS) ENVIADOS BAJO A ESTE ACUERDO (LOS "PRODUCTOS") POR MÁS DE TREINTA (30) DÍAS DESPUÉS DE SU RECEPCIÓN. SI NO ESTÁ DE ACUERDO CON LOS TÉRMINOS DE ESTE ACUERDO, PUEDE DEVOLVER EL PRODUCTO A LA EMPRESA EN UN PLAZO DE TREINTA (30) DÍAS A PARTIR DE HABERLO RECIBIDO PARA OBTENER UN REEMBOLSO COMPLETO.

ESTE ACUERDO DE ARBITRAJE ("ACUERDO") AFECTA A SUS DERECHOS Y RECURSOS LEGALES AL ESTABLECER QUE LAS DISPUTAS ENTRE USTED Y EL FABRICANTE, DISTRIBUIDOR Y/O VENDEDOR DE ESTE PRODUCTO (COLECTIVAMENTE, "COMPAÑÍA"), DEBEN RESOLVERSE MEDIANTE ARBITRAJE VINCULANTE Y NO EN LOS TRIBUNALES. TAMBIÉN ESTABLECE QUE CUALQUIER DISPUTA NO PUEDE SER RESUELTA EN UNA ACCIÓN COLECTIVA U OTRO PROCEDIMIENTO EN EL QUE USTED REPRESENTE A OTRAS PERSONAS O QUE OTRAS PERSONAS LE REPRESENTEN A USTED, Y QUE NO SE PERMITEN ARBITRAJES COLECTIVOS O REPRESENTATIVOS. POR FAVOR LEA DETENIDAMENTE TODOS LOS TÉRMINOS DE ESTE ACUERDO.

- 1. RESOLUCIÓN DE RECLAMACIONES O DISPUTAS.** Cualquier reclamación o disputa entre usted y la Compañía (o cualquiera de las subsidiarias o filiales de la Compañía) que surja o esté relacionada de alguna manera con el Producto o este Acuerdo se resolverá mediante un arbitraje final y vinculante. Esta obligación de arbitraje es recíprocamente vinculante tanto para usted como para la Compañía y se aplica independientemente de si la reclamación o disputa implica un agravio, fraude, tergiversación, responsabilidad por el producto, negligencia, violación de una ley o cualquier otra teoría legal. Tanto usted como la Compañía reconocen y aceptan específicamente que renuncian a su derecho a presentar una demanda judicial basada en dichas reclamaciones o disputas y a que dicha demanda sea resuelta por un juez o un jurado.
- 2. LIMITACIÓN DE LOS RECURSOS LEGALES.** Todos los arbitrajes en virtud del presente Acuerdo se llevarán a cabo de forma individual (y no colectiva), y un árbitro no tendrá autoridad para conceder una reparación colectiva. Usted reconoce y acepta que este Acuerdo le prohíbe específicamente a usted y a la Compañía iniciar procedimientos de arbitraje como representante de otros o unirse a cualquier procedimiento de arbitraje presentado por cualquier otra persona. Las partes acuerdan que no se permiten acciones colectivas o representativas de ningún tipo.
- 3. PROCEDIMIENTOS DE ARBITRAJE.**
 - a. Antes de iniciar un arbitraje, si tiene alguna disputa le recomendamos encarecidamente que se ponga en contacto con la Compañía para intentar resolver el asunto llamando al 800.221.2515, aunque no está obligado a hacerlo.
 - b. El arbitraje de cualquier reclamación o disputa en virtud de este Acuerdo se llevará a cabo de acuerdo con los procedimientos acelerados establecidos en las Normas y Procedimientos de Arbitraje Integrales de JAMS, tal y como existían en la fecha en que usted recibió el Producto, incluidas las Normas 16.1 y 16.2 de dichas Normas. Estas normas y procedimientos están disponibles llamando a JAMS o visitando su sitio web en www.jamsadr.com. El arbitraje de cualquier reclamación o disputa en virtud de este Acuerdo será llevado a cabo por un árbitro que tenga al menos cinco años de experiencia en la realización de arbitrajes.
 - c. El arbitraje de cualquier reclamación o disputa en virtud de este Acuerdo se llevará a cabo en el Estado de California o en el lugar en el que usted recibió este Acuerdo. En el caso de reclamaciones de \$10,000 o menos, usted podrá elegir si el arbitraje se lleva a cabo en persona, por teléfono o únicamente basado en la presentación de documentación.
 - d. La Compañía pagará los costes del arbitraje de las reclamaciones, incluyendo cualquier tasa de gestión de casos de JAMS y todos los honorarios profesionales por los servicios del árbitro. La Compañía pagará los honorarios y costes de sus propios abogados, peritos y testigos y no podrá recuperarlos de usted aunque no prevalezca en el arbitraje. A menos que la ley disponga lo contrario, usted reconoce y acepta que pagará los honorarios y costes de su propio abogado, peritos y testigos.
- 4. ELECCIÓN DE LA LEY.** Las disposiciones de arbitraje de este Acuerdo y cualquier arbitraje llevado a cabo de conformidad con los términos de este Acuerdo se regirán por la Ley Federal de Arbitraje (9 U.S.C. Artículos 1-16). A este respecto, las partes reconocen que este Acuerdo implica una transacción realizada en el comercio interestatal. Por lo demás, el presente Acuerdo y los derechos de las partes en virtud del mismo se regirán e interpretarán de acuerdo con las leyes del Estado de California, excluyendo las normas de conflicto o elección de la ley.
- 5. DISPOSICIONES INDEPENDIENTES.** Si alguna de las disposiciones del presente Acuerdo se declara o se considera ilegal, inaplicable o nula, dicha disposición será ineficaz sólo en la medida en que se considere ilegal, inaplicable o nula, y el resto de las disposiciones y todas las demás cláusulas seguirán siendo aplicables plenamente.