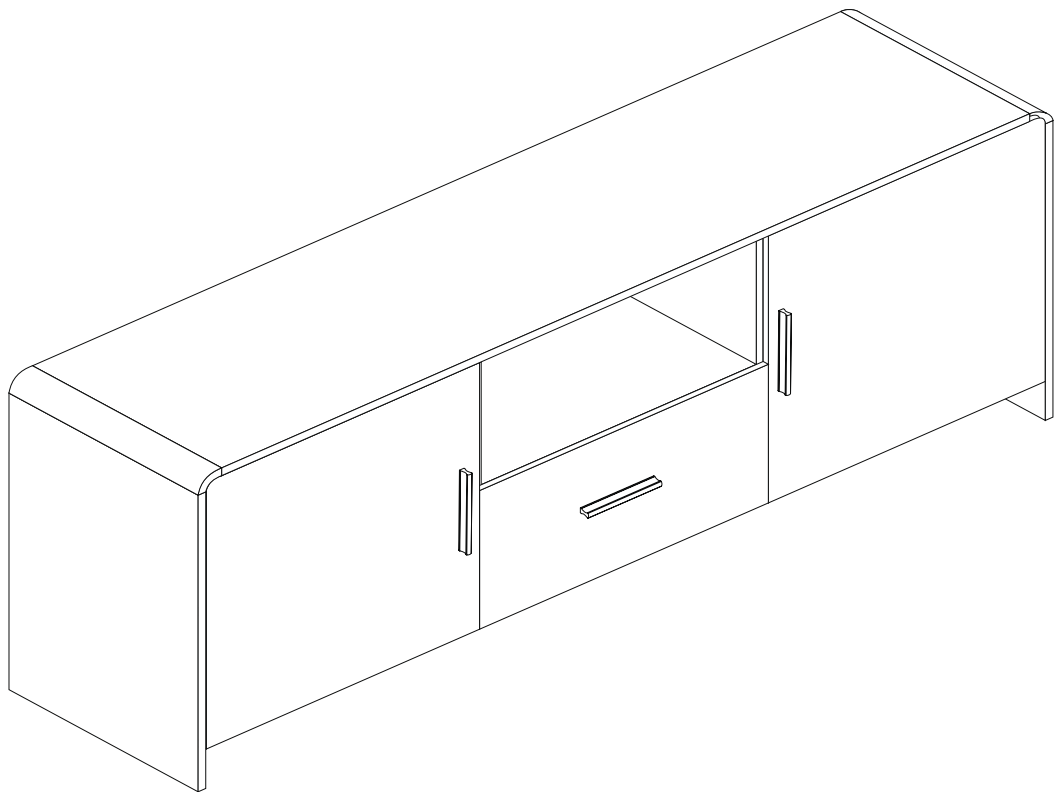


# TV Console with Storage



## ASSEMBLY INSTRUCTIONS



60 min. assembly  
2 person

\*The estimated assembly time may vary depending on the individual.

# Hey, there

Now is assembly time!

Deeeeeeep breathe.... and again....  
Tools ready,  
Easy peasy!

## Estimated



**60** min. assembly  
**2** person

## Tools Required

- Phillips screwdriver (not included)
- Power Drill (not included)

**important:** *Cautious when you use power tools*

Thank you for purchasing this product.

This product has been manufactured with the highest standards of safety and quality.

**PLEASE READ ALL INSTRUCTIONS CAREFULLY BEFORE ASSEMBLY.**

Un pack all parts from the packaging inside the carton to ensure there are no missing or damaged parts. Lay out all the parts on a clean, flat, and soft surface to prevent scratches. Refer to the steps provided as assembling guide.

Do not attempt to assemble or use the product if any parts are missing or damaged.

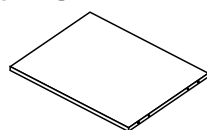
## REMINDERS

### SAFE USAGE IS KEY

Your well-being is our top priority when you use our product. Please prioritize your safety by diligently following the assembly guidelines and inspecting the product carefully both when it arrives and before each use.

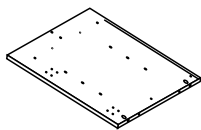
# What's in the box

## Parts



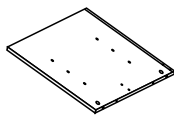
1 X 1

Left side panel



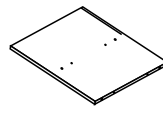
2 X 1

Right side panel



3 X 1

Middle panel



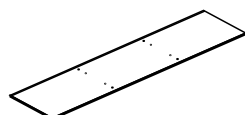
4 X 1

Middle panel



5 X 1

Top panel



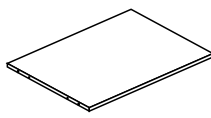
6 X 1

Bottom panel



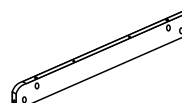
7 X 1

Bottom support bar



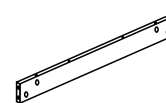
8 X 1

Middle shelf panel



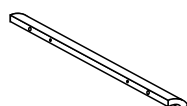
9 X 2

Left top support bar



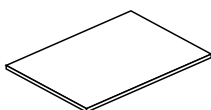
10 X 2

Right top support bar



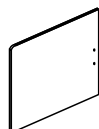
11 X 2

Top support bar



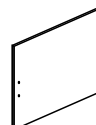
12 X 2

Shelf panel



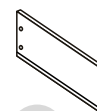
13 X 1

Left door panel



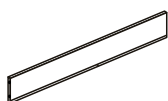
14 X 1

Right door panel



15 X 1

Drawer side panel



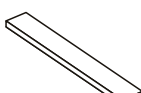
16 X 1

Drawer back panel



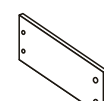
17 X 1

Drawer bottom panel



18 X 1

Drawer bottom support bar



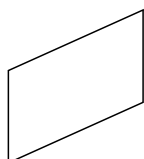
19 X 1

Drawer side panel



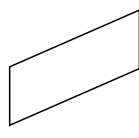
20 X 1

Drawer front panel



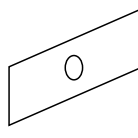
21 X 2

Back panel



22 X 1

Lower back panel



23 X 1

Upper back panel

# What's in the box

## Hardware & Accessory



A X 47+3  
M6 x 36mm



B X 47+3  
M15 x 9mm



C X 30+3  
M5.8 x 30mm



D X 9  
M4 x 35mm



E X 4



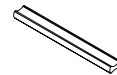
F X 24+3  
M4 x 14mm



G X 16+2  
M3 x 16mm



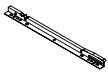
H X 12+2  
M3.5 x 12mm



I X 3



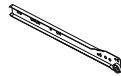
DL X 1



DR X 1



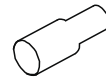
CL X 1



CR X 1



J X 6

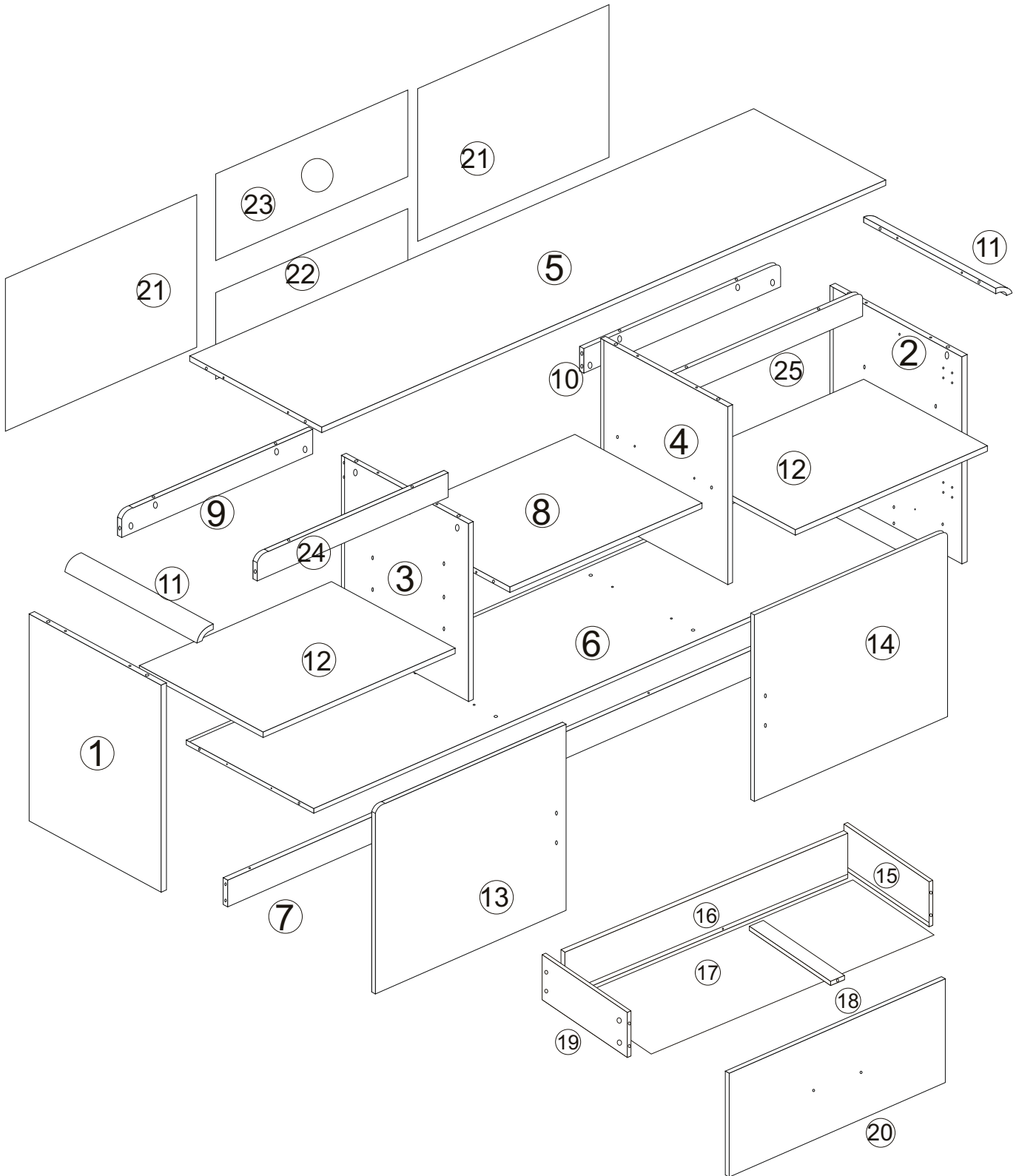


K X 8



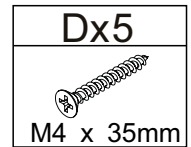
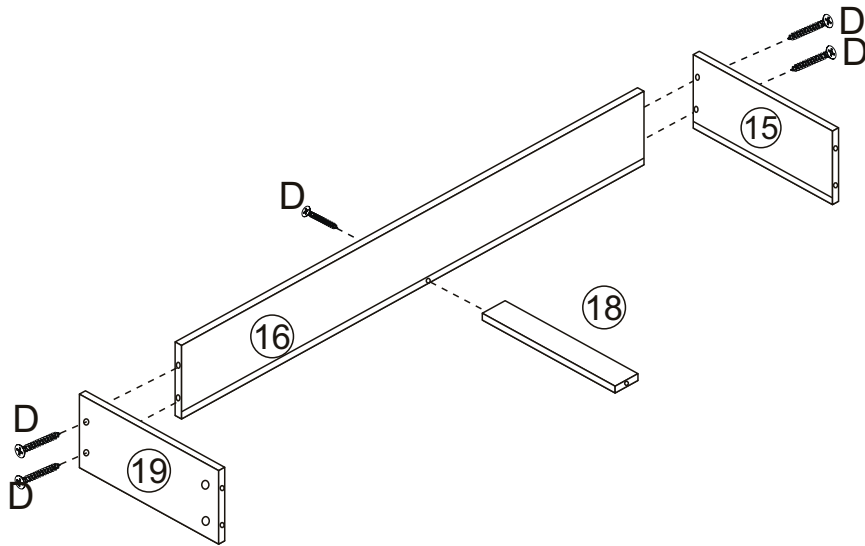
L X 2  
M4 x 16mm

# Assembly



# Step 1

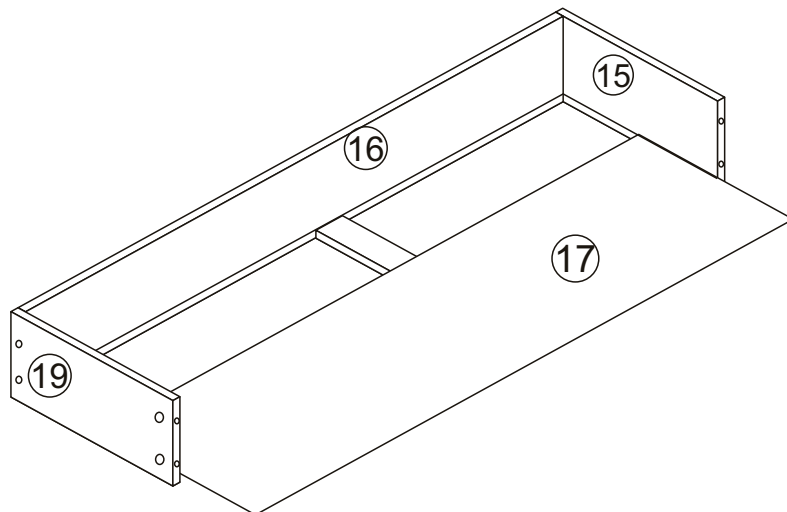
Fix parts 15, 18 and 19 to part 16 using screws (D), as shown.



---

# Step 2

Slide part 17 into grooves between parts 15, 19 and 16, as shown.



# Step 3

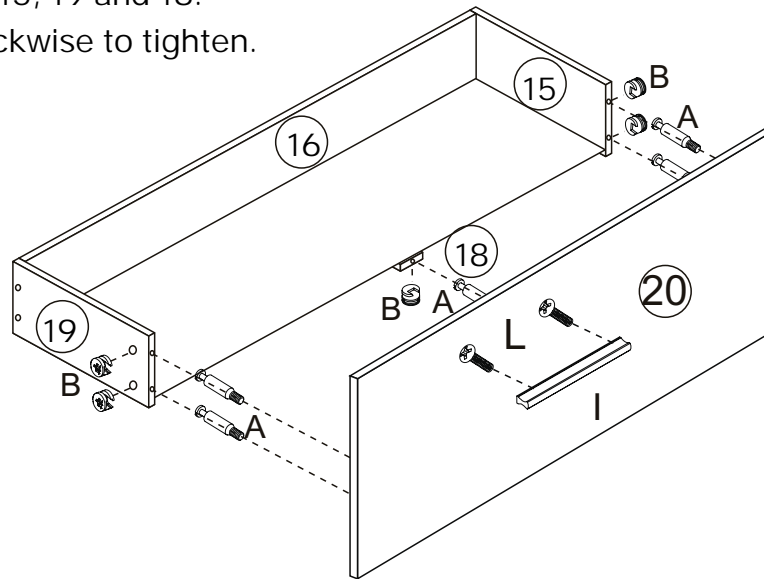
Fix handles (I) to part 20 using screws (L), as shown.

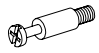



Insert quickfit screws (A) into part 20, as shown.

Insert cam locks (B) into parts 15, 19 and 18, as shown.

Fit part 20 to parts 15, 19 and 18.

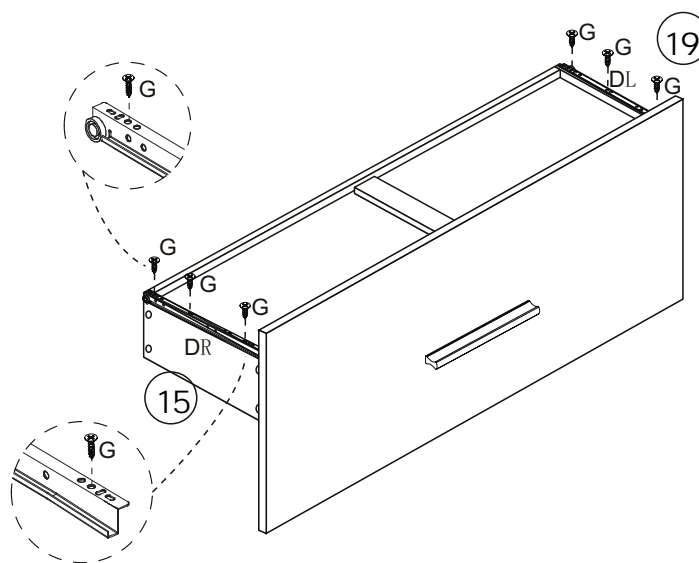
Turn cam locks clockwise to tighten.

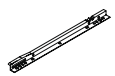
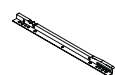



<b>Ax5</b>

M6 x 36mm
<b>Bx5</b>

M15 x 9mm
<b>Lx2</b>

M4 x 16mm
<b>I x1</b>


# Step 4

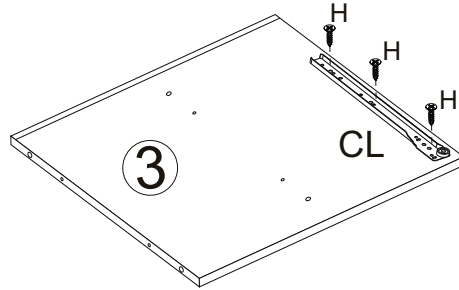
Fix left inner drawer runner (DL) and right inner drawer runner (DR) to parts 19 and 15 using screws (G), as shown.



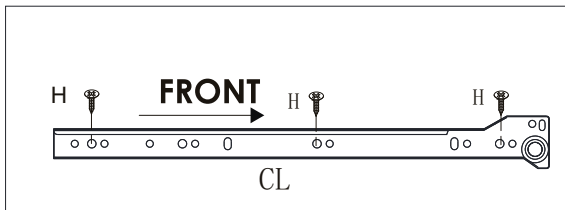
<b>DLx1</b>

<b>DRx1</b>

<b>Gx12</b>

M3.5 x 12mm

# Step 5

Fix left outer drawer runner (CL) to part 3 using screws (H), as shown.

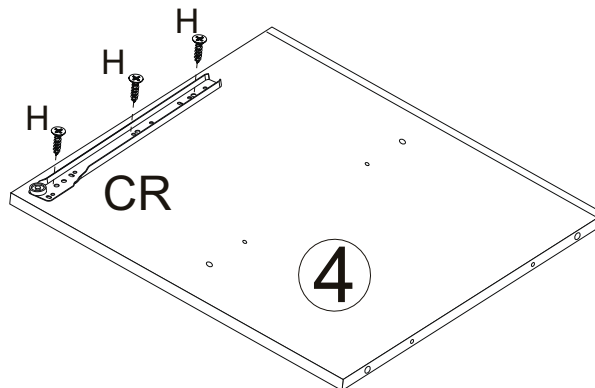


CLx1
Hx3
M3.5 x 12mm

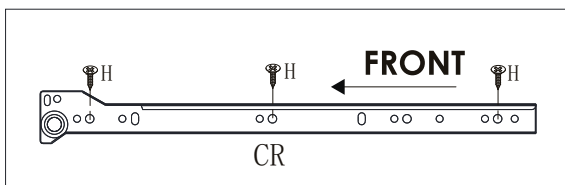


# Step 6

Fix right outer drawer runner (CR) to part 4 using screws (H), as shown.



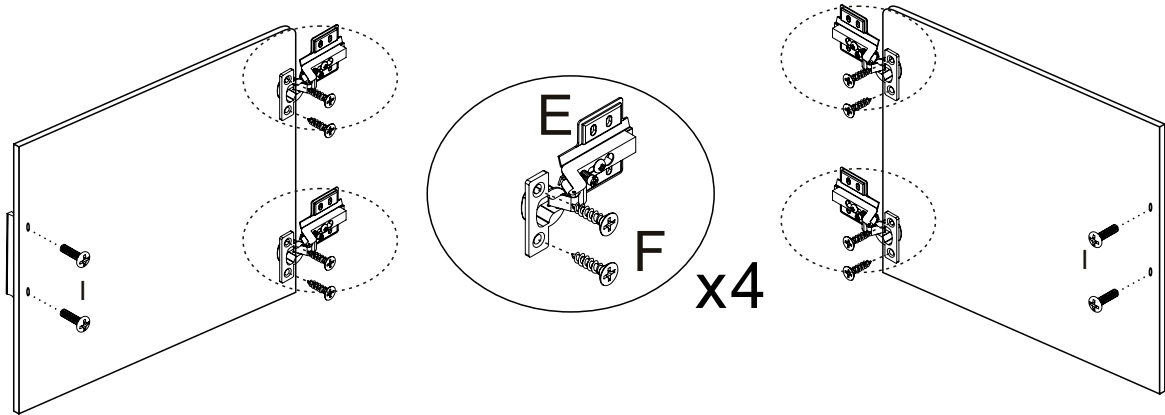
CR x1
Hx3
M3.5 x 12mm




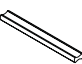


# Step 7

Fix handles (I) to doors 13 and 14 using screws (L), as shown.

Fix hinges (E) to doors 13 and 14 using screws (F), as shown.



<b>E x4</b>

<b>F x8</b>
 M4 x 14mm
<b>L x4</b>
 M4 x 16mm
<b>I x2</b>


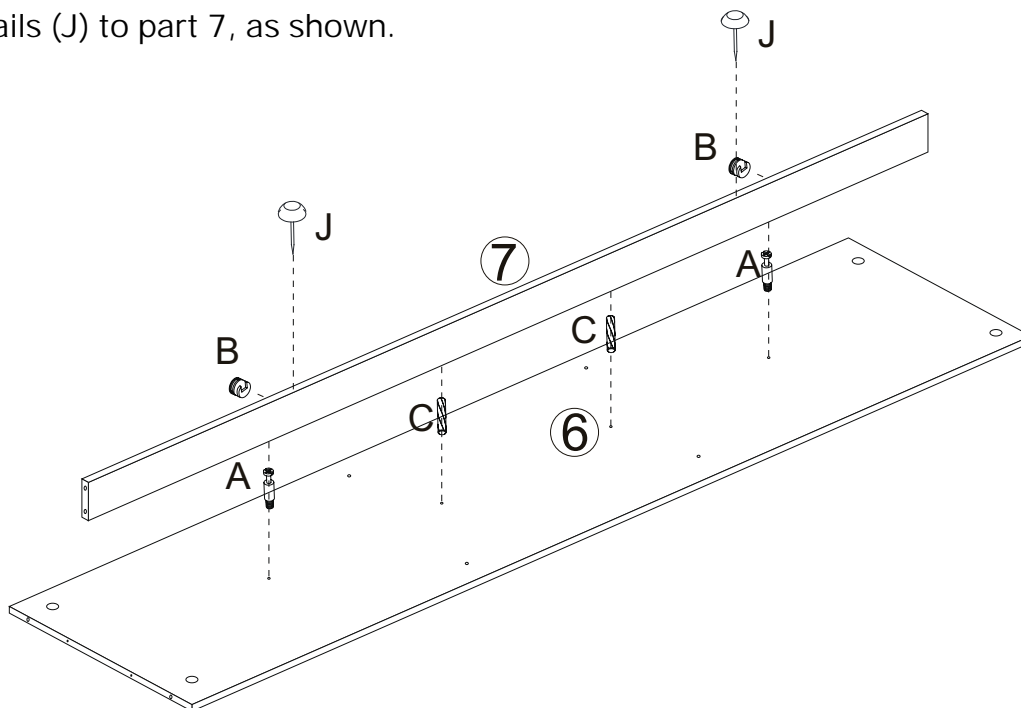
# Step 8





Insert quickfit screws (A) and wooden dowels (C) into part 6, as shown.

Insert cam locks (B) into part 7, as shown.

Fit part 7 to part 6, as shown. Turn cam locks clockwise to tighten.

Fix foot nails (J) to part 7, as shown.



<b>Ax2</b>
 M6 x 36mm
<b>Bx2</b>
 M15 x 9mm
<b>Cx2</b>
 M5.8 x 30mm
<b>Jx2</b>


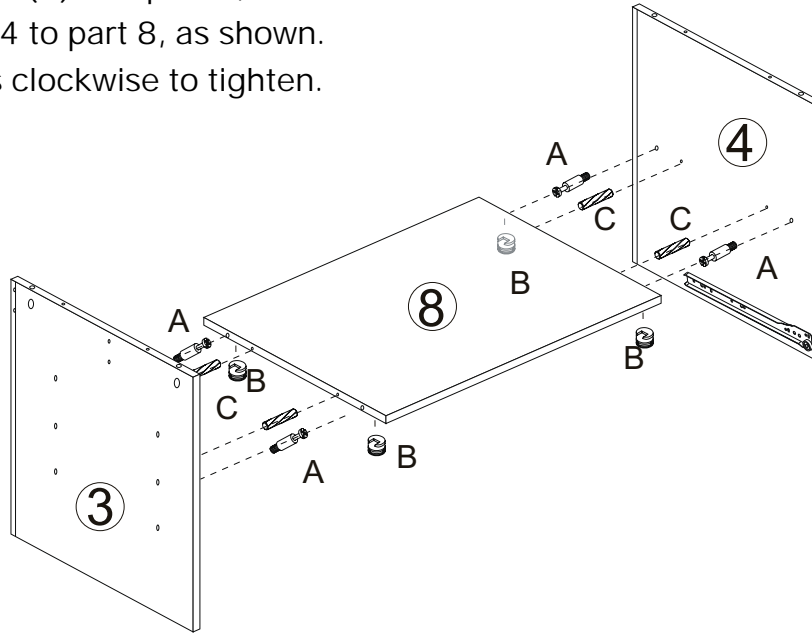
# Step 9

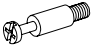


Insert quickfit screws (A) and wooden dowels (C) into parts 3 and 4, as shown.

Insert cam locks (B) into part 8, as shown.

Fit parts 3 and 4 to part 8, as shown.

Turn cam locks clockwise to tighten.

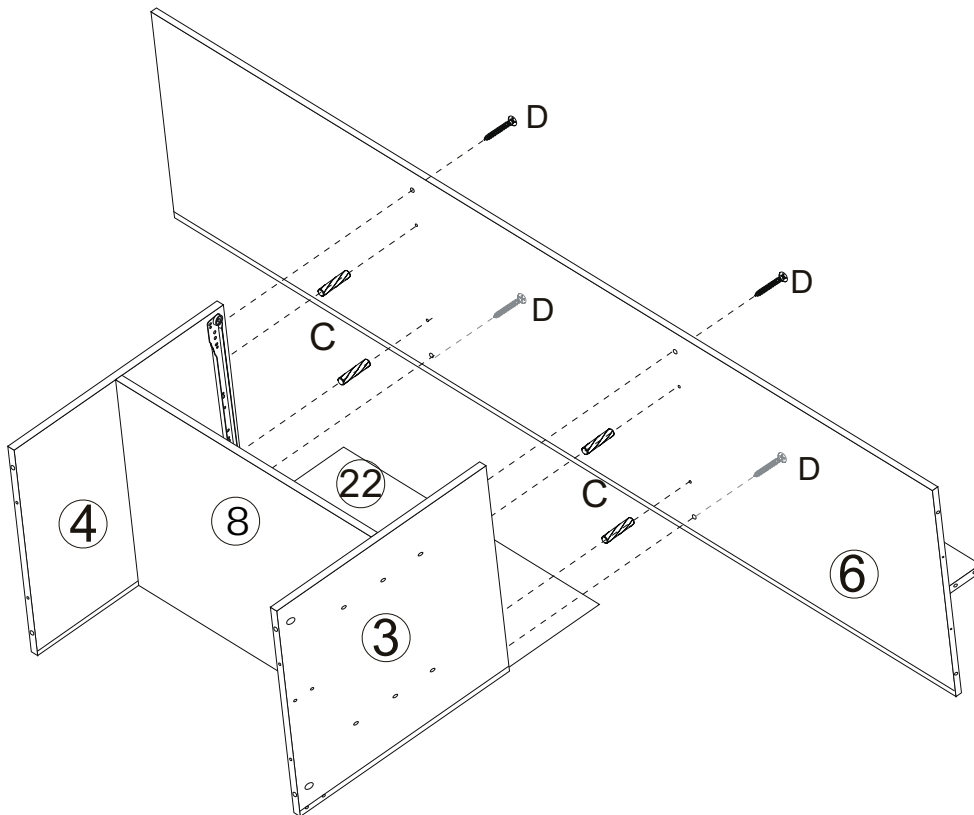




<b>Ax4</b>
 M6 x 36mm
<b>Bx4</b>
 M15 x 9mm
<b>Cx4</b>
 M5.8 x 30mm

# Step 10

Slide part 22 into grooves between parts 3, 4 and 8, as shown.

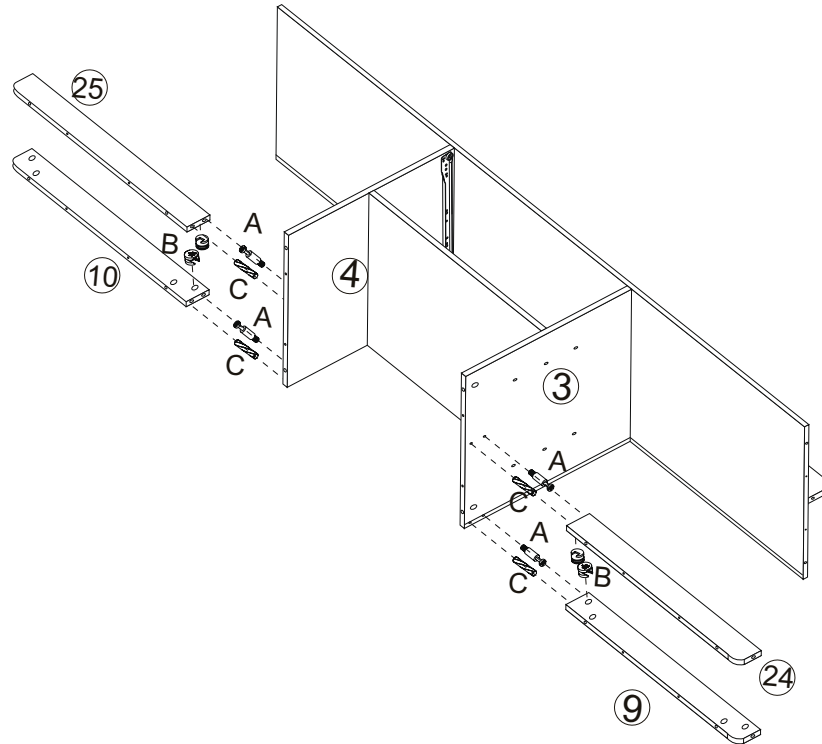
Fix part 6 to part 3 and 4 using wooden dowels (C) and screws (D), as shown.






<b>Cx4</b>
 M5.8 x 30mm
<b>Dx4</b>
 M4 x 35mm

# Step 11

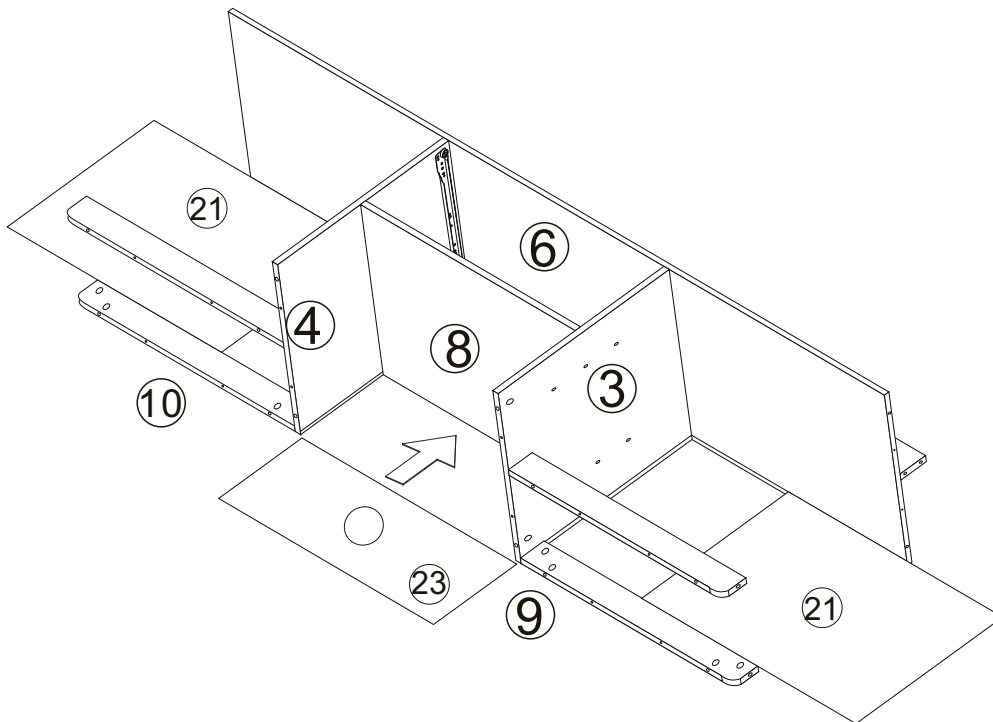
Insert quickfit screws (A) and wooden dowels (C) into parts 3 and 4, as shown. Insert cam locks (B) into parts 9, 10, 24 and 25, as shown. Fit parts 9, 10, 24 and 25 to parts 3 and 4. Turn cam locks clockwise to tighten.



<b>Ax4</b>
 M6 x 36mm
<b>Bx4</b>
 M15 x 9mm
<b>Cx4</b>
 M5.8 x 30mm





# Step 12

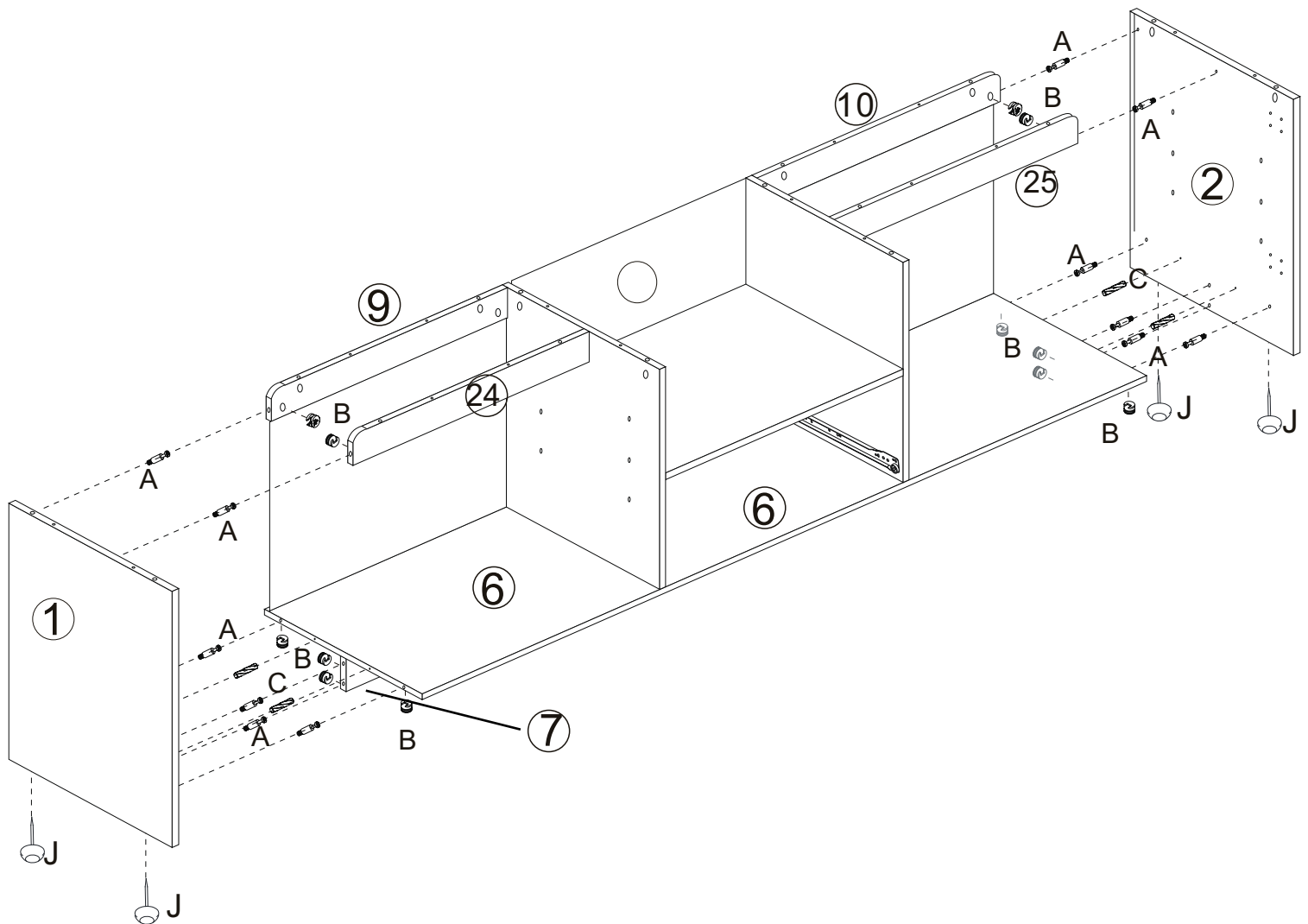
Slide part 23 into grooves between parts 3, 4 and 8, as shown. Slide parts 21 into grooves between parts 6, 9 and 10, as shown.



# Step 13

Insert quickfit screws (A) into parts 1 and 2, as shown. Insert cam locks (B) into part 6, 7, 9, 10, 24 and 25, as shown. Insert wooden dowels (C) to 6, as shown. Fit parts 1 and 2 to parts 6, 7, 9, 10, 24 and 25, as shown. Turn cam locks clockwise to tighten. Fix foot nails (J) to parts 1 and 2, as shown.

<b>Ax12</b>
 M6 x 36mm
<b>Bx12</b>
 M15 x 9mm
<b>Cx4</b>
 M5.8 x 30mm
<b>Jx4</b>







# Step 14

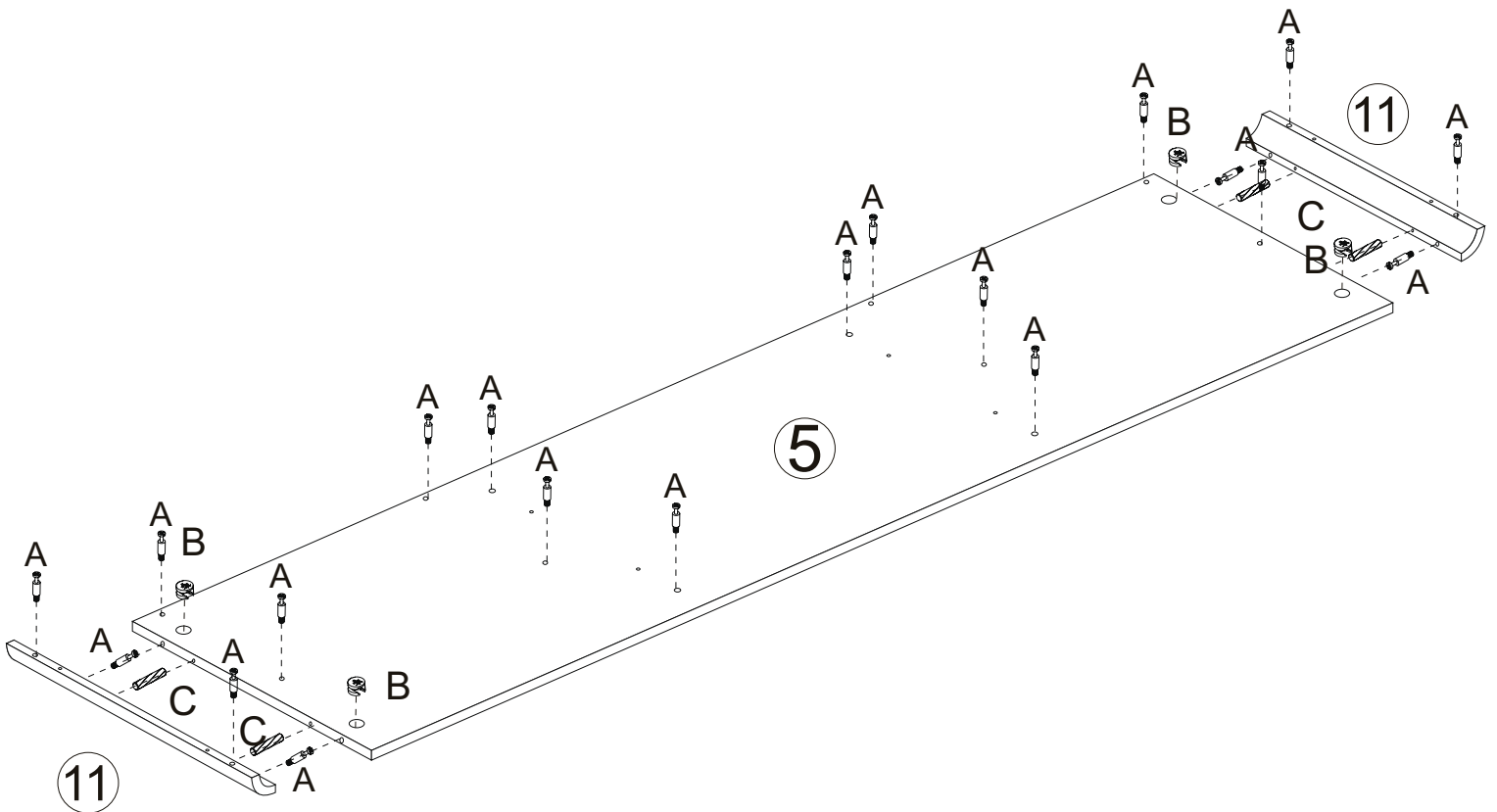
Insert quickfit screws (A) into parts 11 and 5, as shown.

Insert cam locks (B) and wooden dowels (C) into part 5, as shown.

Fit parts 11 to part 5, as shown.

Turn cam locks clockwise to tighten.

<b>Ax20</b>
 M6 x 36mm
<b>Bx4</b>
 M15 x 9mm
<b>Cx4</b>
 M5.8 x 30mm





# Step 15

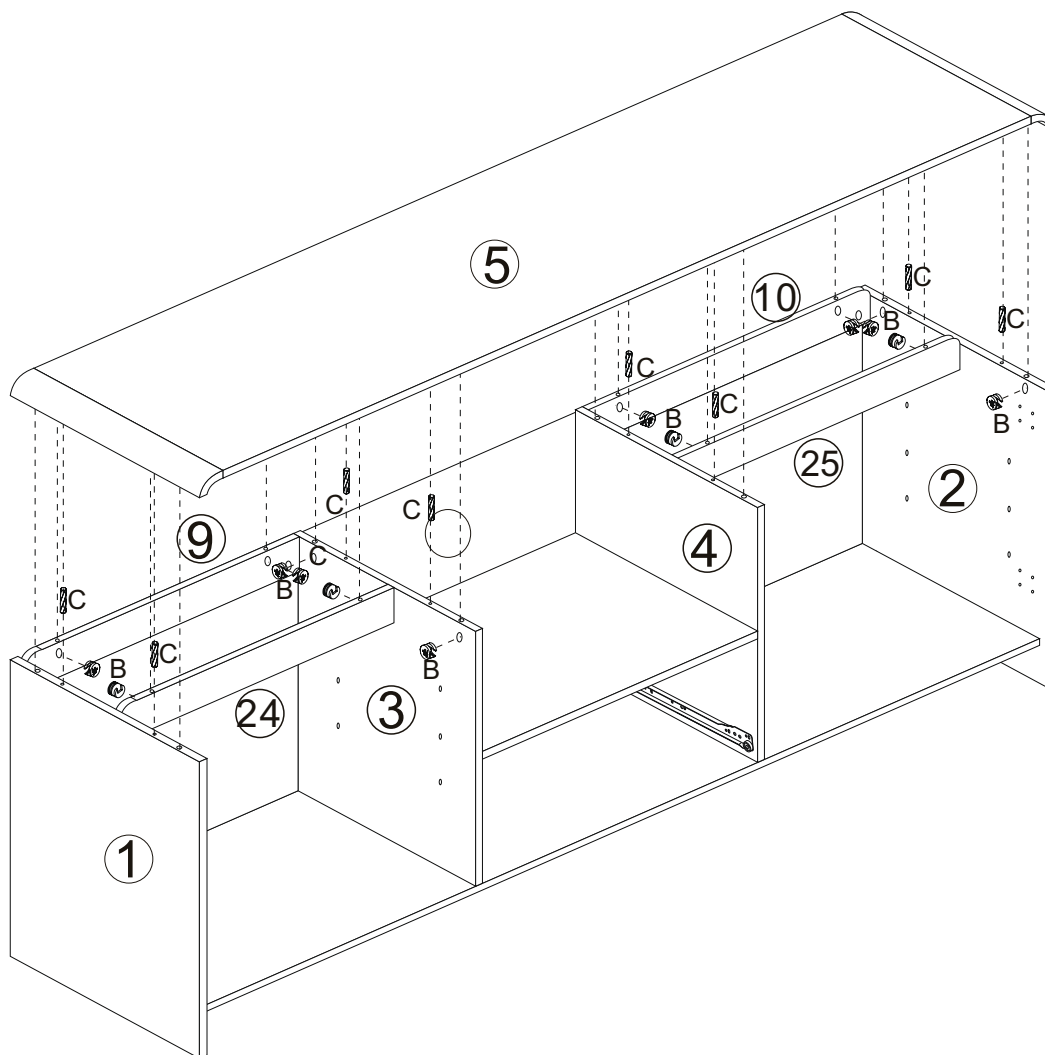
Insert cam locks (B) into parts 1, 2, 3, 4, 9, 10, 24 and 25, as shown.

Insert wooden dowels (C) into parts 1, 2, 3 and 4, as shown.

Fit part 5 to parts 1, 2, 3, 4, 9, 10, 24 and 25, as shown.

Turn cam lock clockwise to tighten.

<b>Bx16</b>

<b>M15 x 9mm</b>
<b>Cx16</b>

<b>M5.8 x 30mm</b>





# Step 16

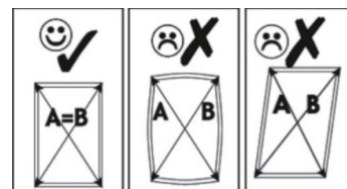
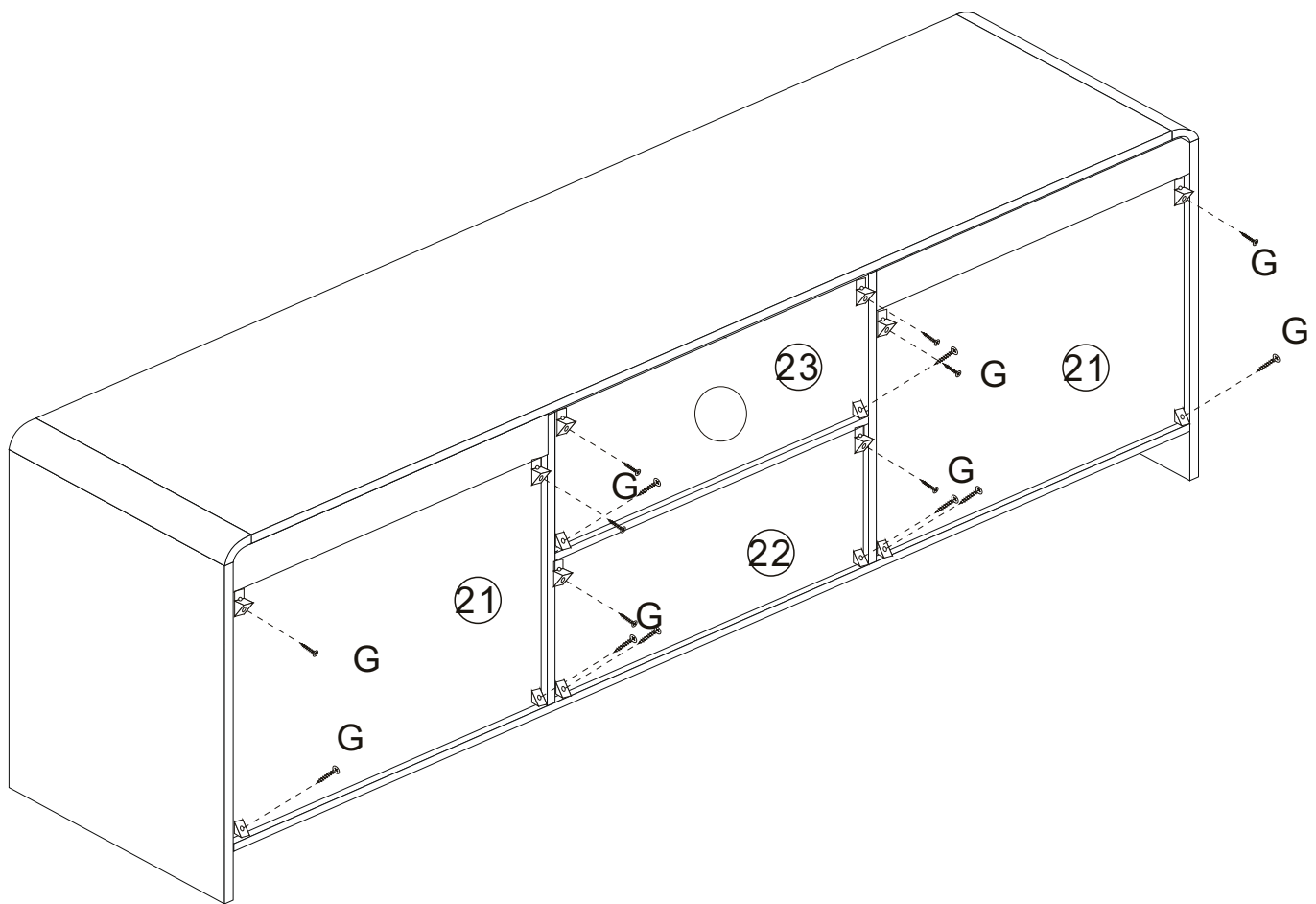
Secure backing panels 21, 22 and 23 by fixing wedges (G-1) using screws (G-2), as shown.

## ATTENTION PLEASE

Please ensure the structure is straight and level and all panels are at right angles before installing hardware (G).

**MUST** install hardware (G) to strengthen product stability.

Gx24
 M3 x 16mm
Kx2
 M4 x 14mm

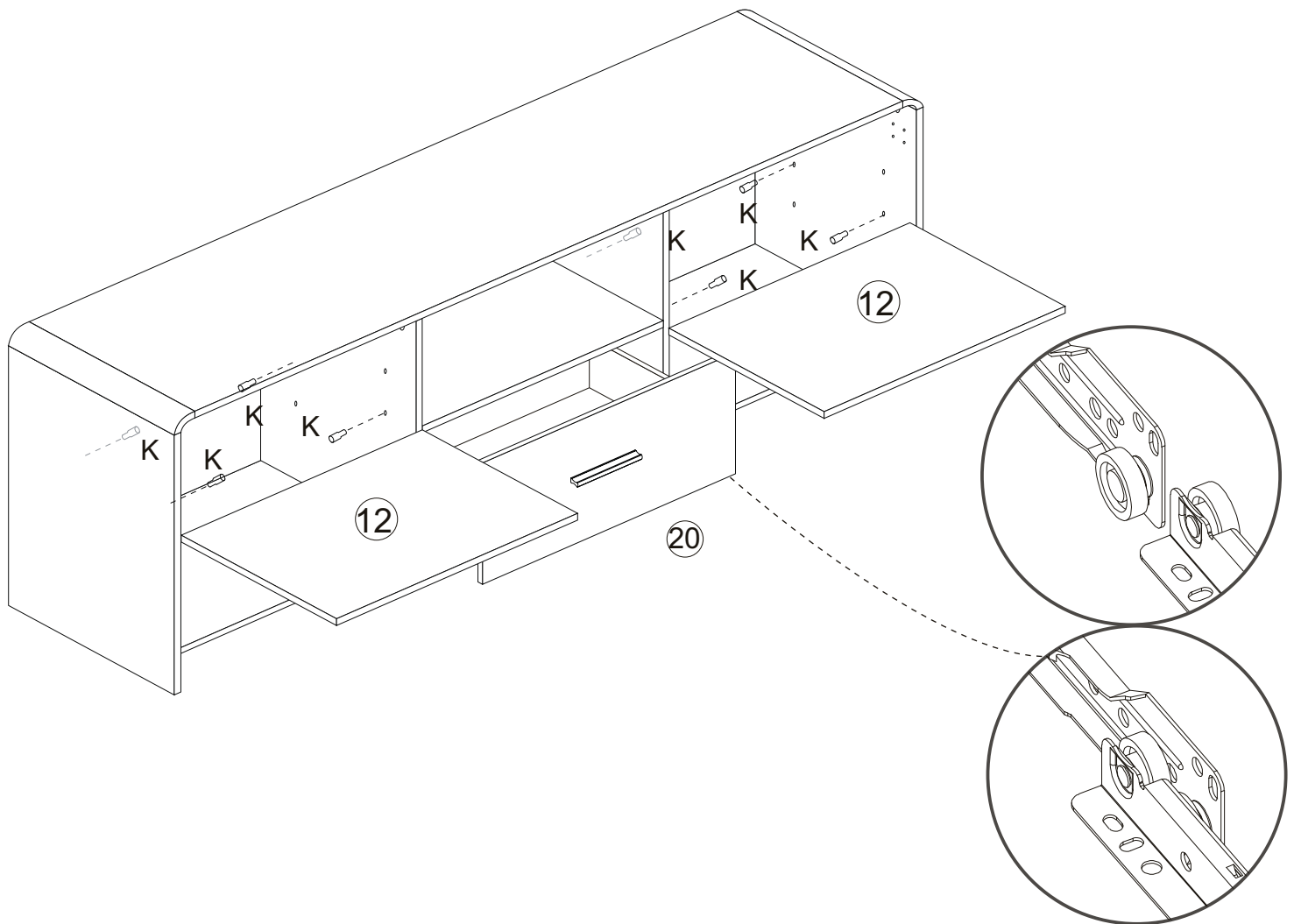
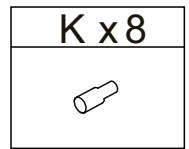


# Step 17

Insert drawers into the assembled unit, as shown.

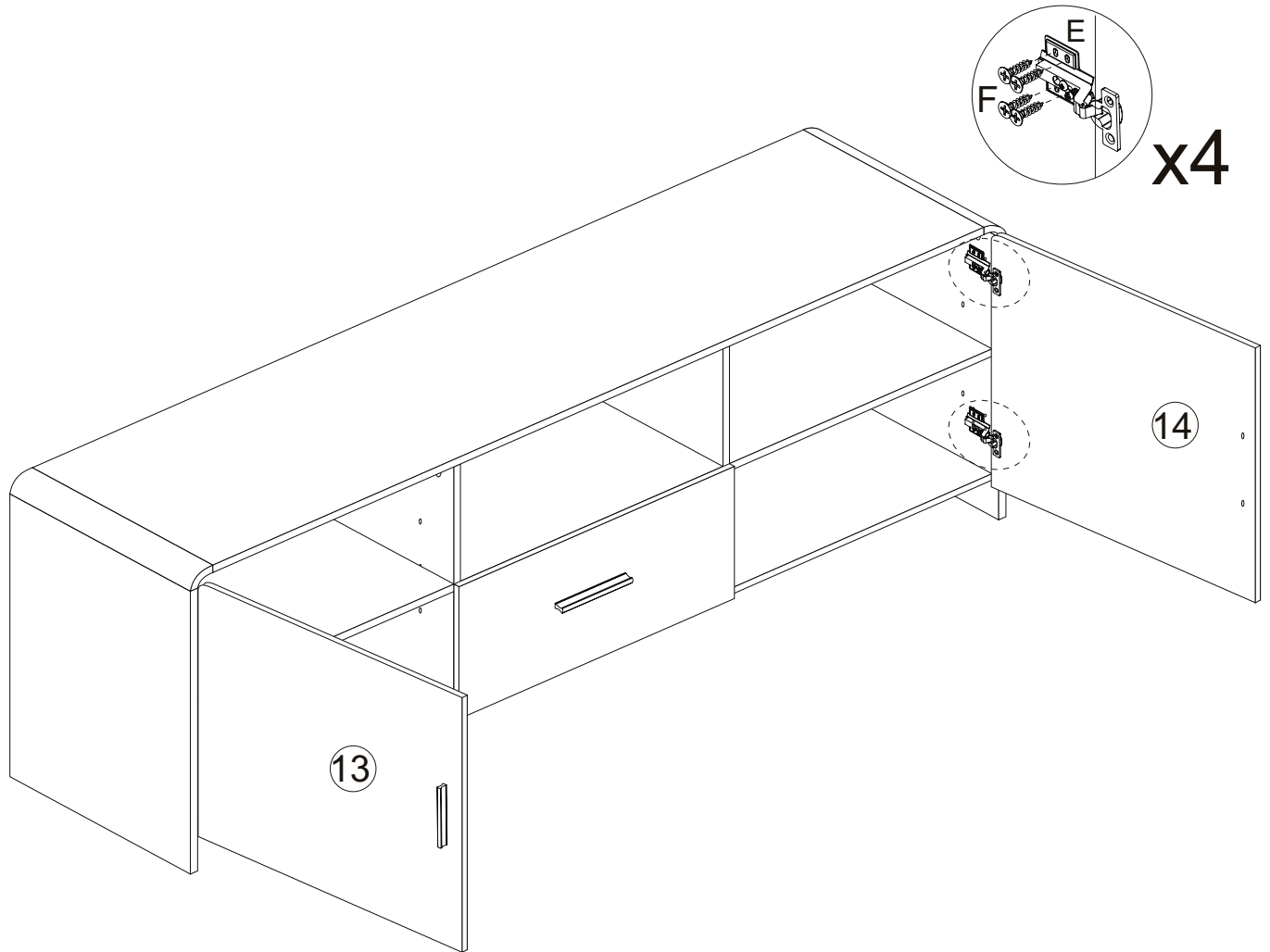
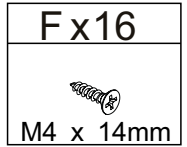
Fit shelf supports (K) into desired position in the assembled unit.

Place shelves 12 on top of shelf supports, as shown.

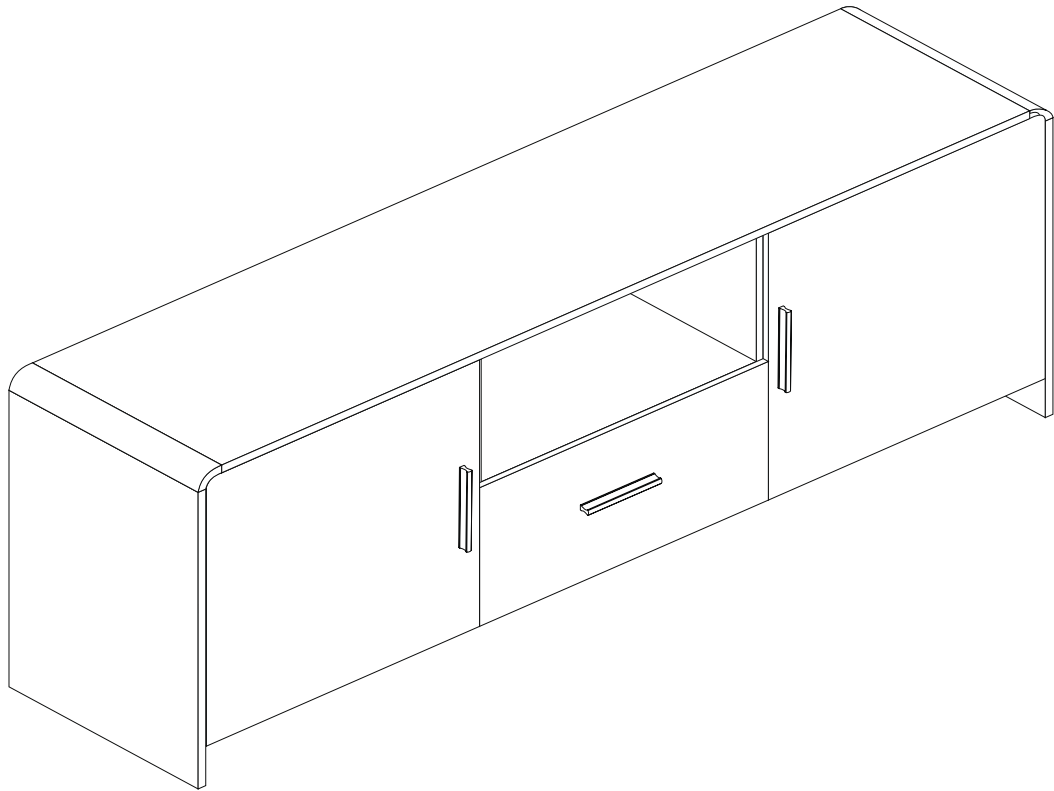


# Step 18

Fix doors 13 and 14 to assembled unit with hinges and using screws (F), as shown.



**VOILA!**  
Now enjoy.



**Warning**

DO NOT sit or stand on the TV Console with Storage as this may damage the product and cause serious bodily injury.

# Something not right?

We are always here to help.

## **We make mistakes like every human does.**

Though we always strive to provide the best possible products at competitive prices and the best service in the industry, it's not possible to completely eliminate mistakes. If you experience any dissatisfaction, feel free to contact us immediately. Our in-house customer care team will respond ASAP.

## **Things to do to expedite the process**

- Have your order# ready
- Take photos/videos to help us better identify the issues
- DO NOT throw away the packaging