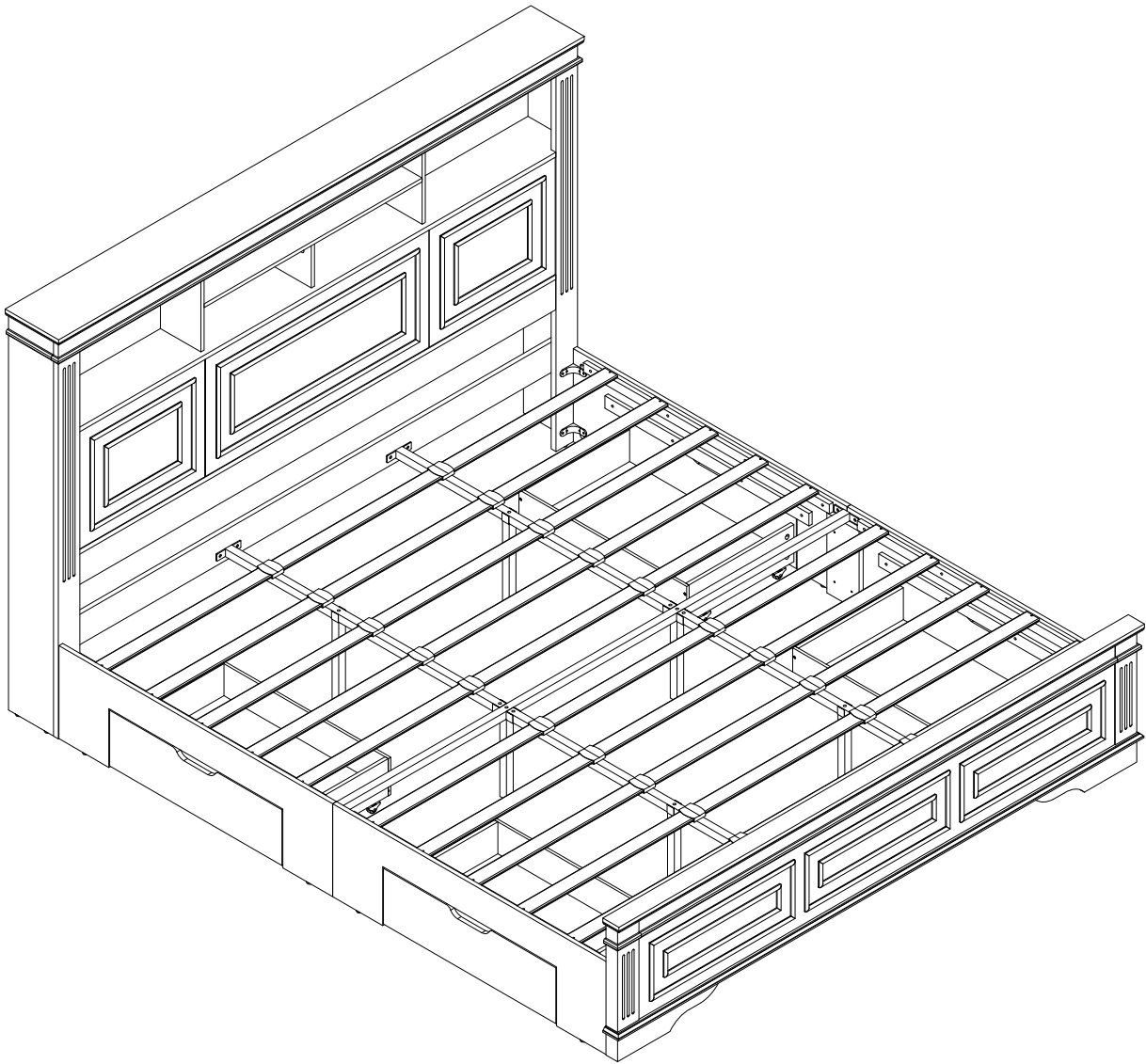


# ASSEMBLY INSTRUCTIONS

---



## ⚠ SAFETY TIPS:

Static charge may cause dust on foam-clean with a dry or damp cloth.

Small foam strands may be present-handle gently and dispose of properly.

Do not burn or incinerate.

Check local recycling guideline.

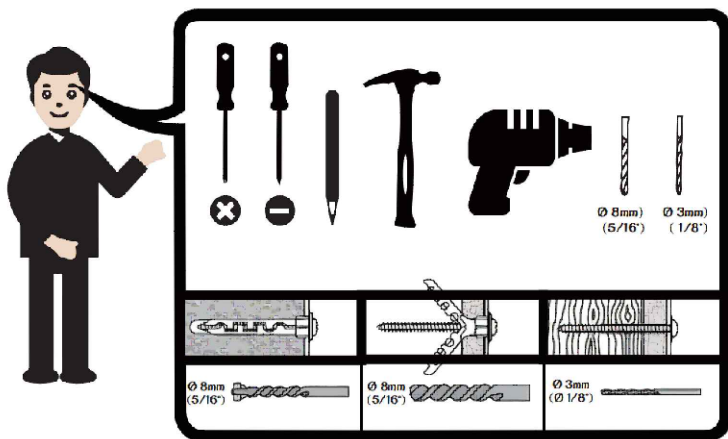
Have an assembly question or need a replacement part?

Please contact with our customer service.

# Warnings

Important reminder:

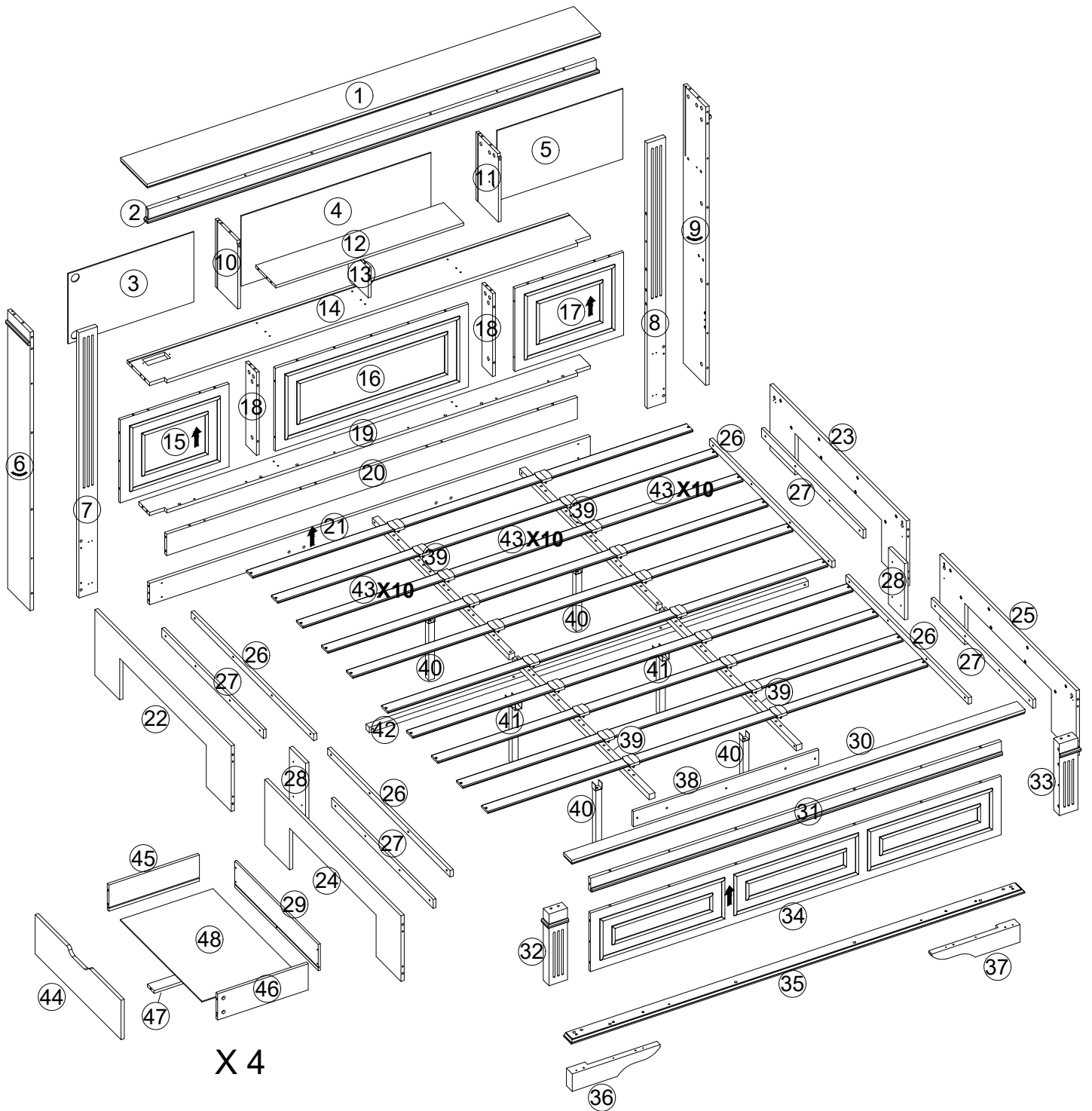
- ⚠ Please sort and check all accessories before assembly.
- ⚠ Place the product on an empty cardboard box or on carpet to prevent scratches.
- ⚠ Please use proper tools for assembly. Using an electric screwdriver can accelerate the assembly speed, but please do not overtighten the screws.
- ⚠ Please follow the assembly steps and do not skip any of them.
- ⚠ If possible, please find a partner to help you with assembly, which can accelerate assembly.
- ⚠ Keep all small parts of this product away from children. They may cause serious injury.
- ⚠ We hope you can retighten the screws 2 weeks after assembly, and check the tightening procedure of the screws every 3 months.  
If you meet any difficulty, our friendly customer team are always ready to help you.



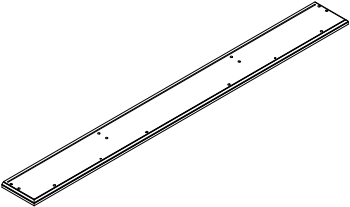
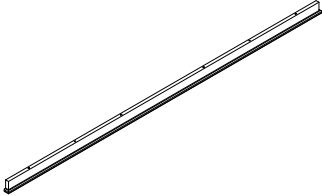
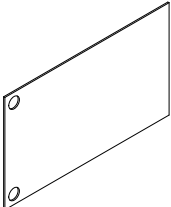
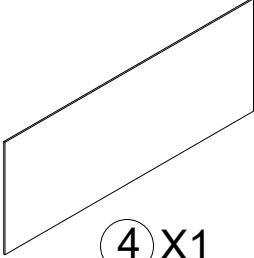
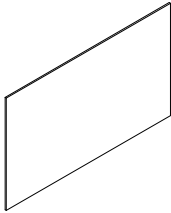
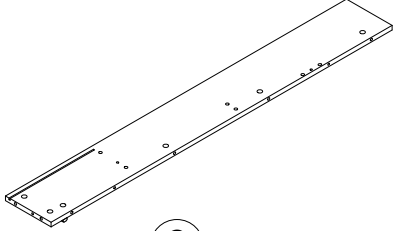
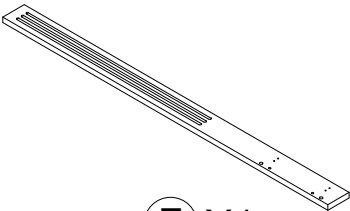
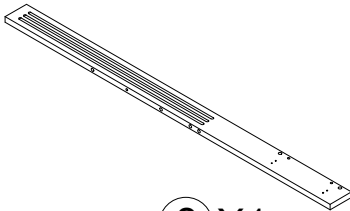
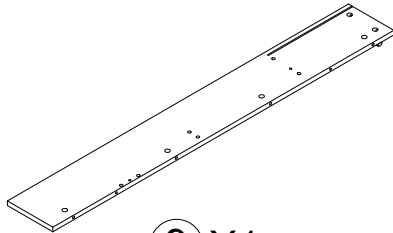
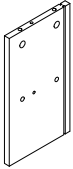
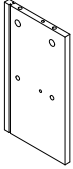
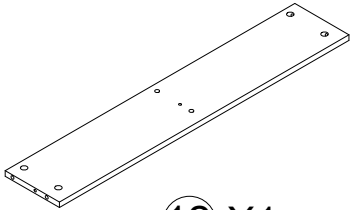
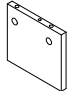
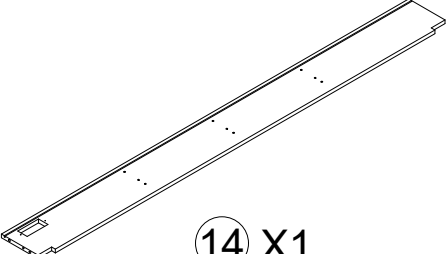
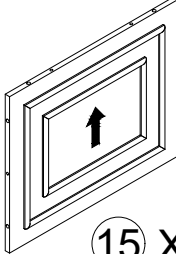
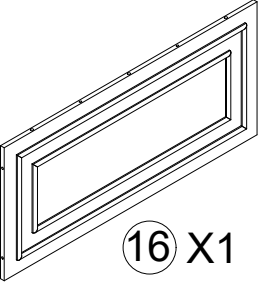
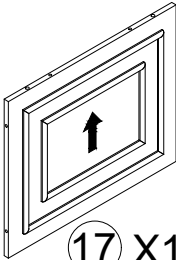

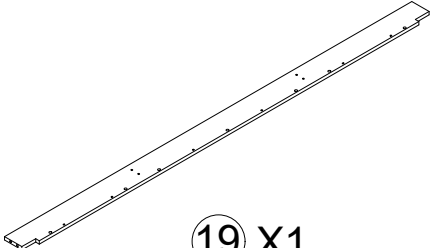
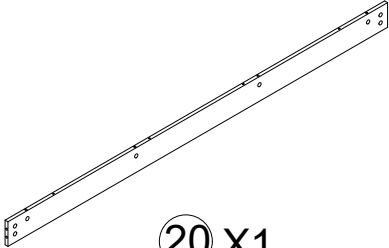
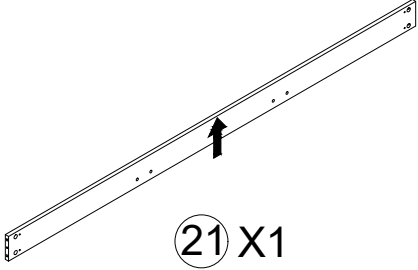
Warning: Overturning the product can cause serious crushing injuries. We have a wall connection device attached, please use it to hold the furniture following assembly instructions. Do not change the structure of this product in any way. Our products have been tested and meet any local sales specific security measures. We won't be responsible for any modifications, which may cause significant security risks.

| <b>⚠ WARNING</b>  |  |
|---|--|
| <ul style="list-style-type: none"><li>• <b>INGESTION HAZARD:</b> This product contains a button cell or coin battery.</li><li>• <b>DEATH</b> or serious injury can occur if ingested.</li><li>• A swallowed button cell or coin battery can cause <b>Internal Chemical Burns</b> in as little as <b>2 hours</b>.</li><li>• <b>KEEP</b> new and used batteries <b>OUT OF REACH</b> of <b>CHILDREN</b></li><li>• <b>Seek immediate medical attention</b> if a battery is suspected to be swallowed or inserted inside any part of the body.</li></ul> |  |

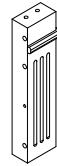
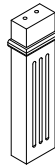
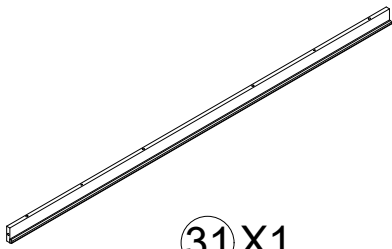
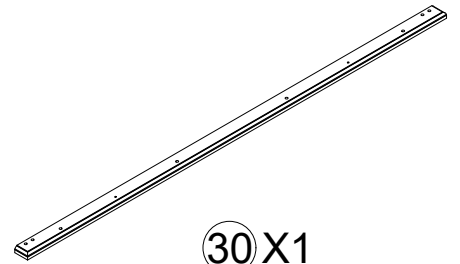
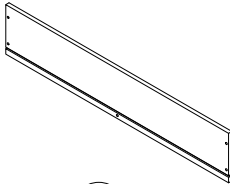
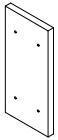
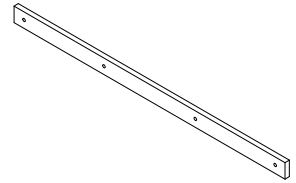
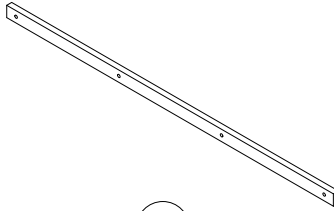
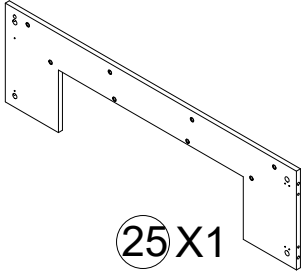
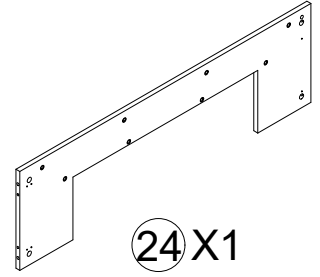
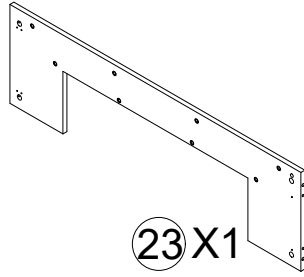
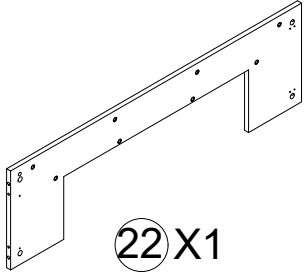
# Explosion Diagram



# Parts List

|   |  |   |
|---|--|---|
|  <p>① X1</p>   |  <p>② X1</p>    |  <p>③ X1</p>   |
|  <p>④ X1</p>   |  <p>⑤ X1</p>    |  <p>⑥ X1</p>   |
|  <p>⑦ X1</p>   |  <p>⑧ X1</p>    |  <p>⑨ X1</p>   |
|  <p>⑩ X1</p> |  <p>⑪ X1</p>  |  <p>⑫ X1</p> |
|  <p>⑬ X1</p> |  <p>⑭ X1</p> |  <p>⑮ X1</p> |
|  <p>⑯ X1</p> |  <p>⑰ X1</p>  |  <p>⑱ X2</p> |
|  <p>⑲ X1</p>  |  <p>⑳ X1</p> |  <p>㉑ X1</p> |

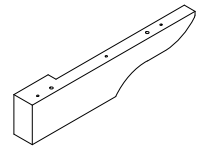
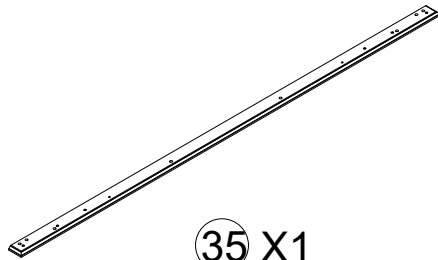
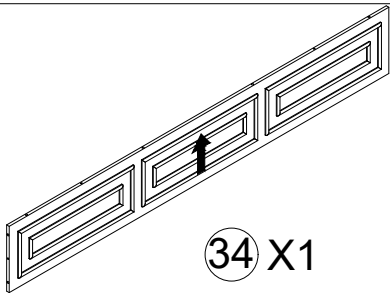
# Parts List



31 X1

32 X1

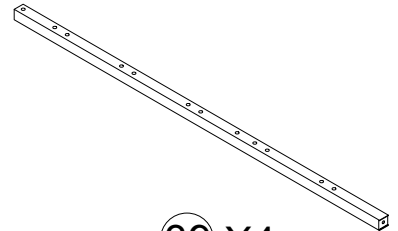
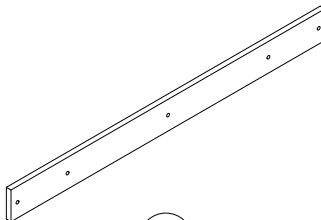
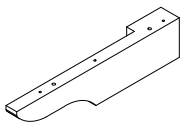
33 X1



34 X1

35 X1

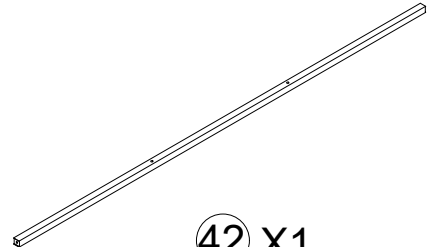
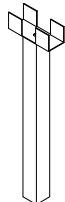
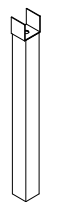
36 X1



37 X1

38 X1

39 X4

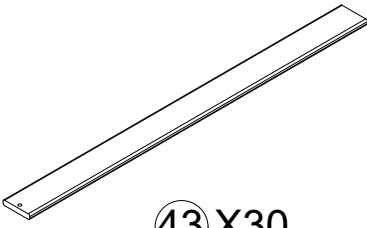


40 X4

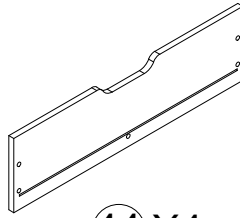
41 X2

42 X1

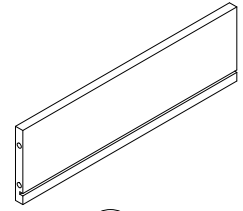
# Parts List



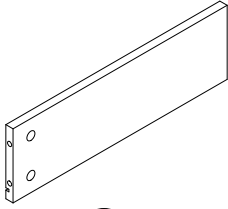
43 X30



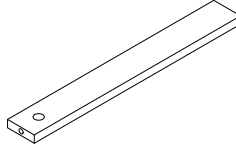
44 X4



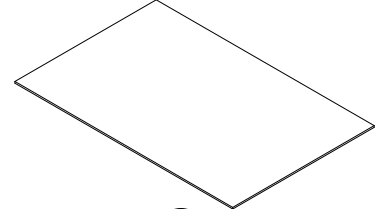
45 X4



46 X4



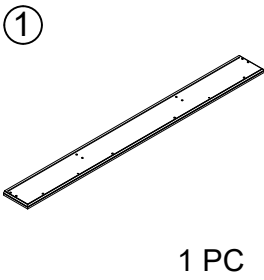
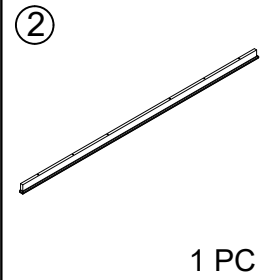
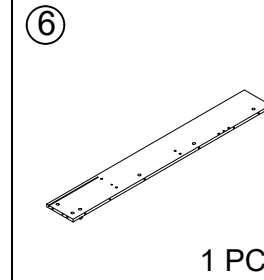
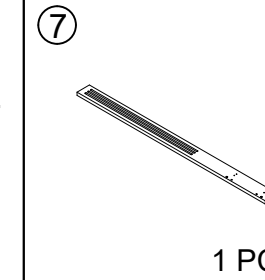
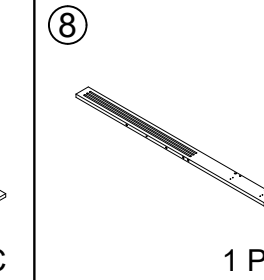
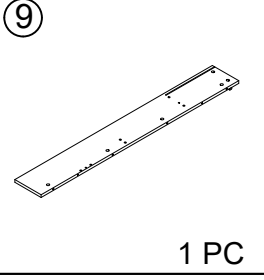
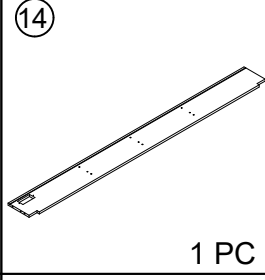
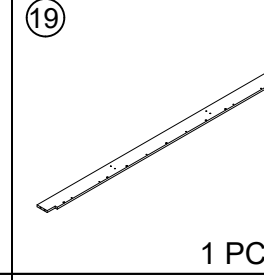
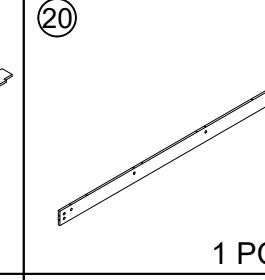
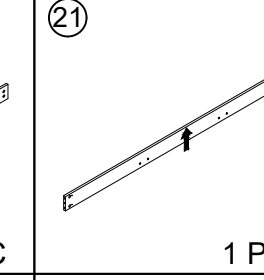
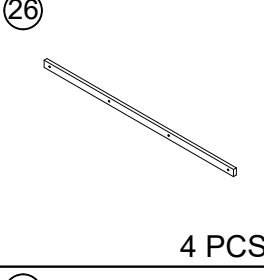
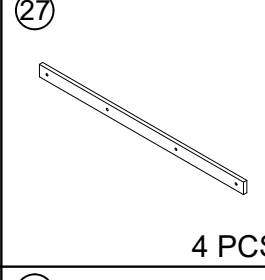
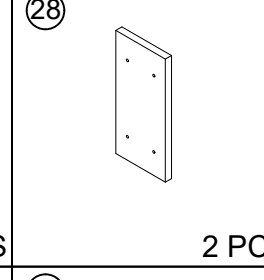
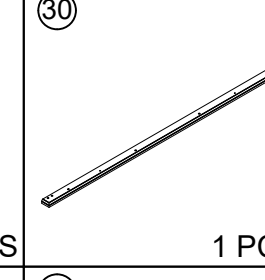
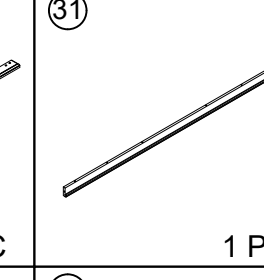
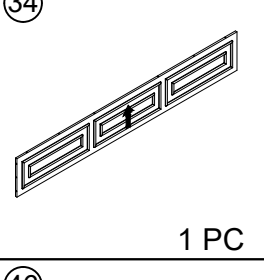
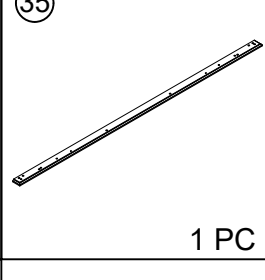
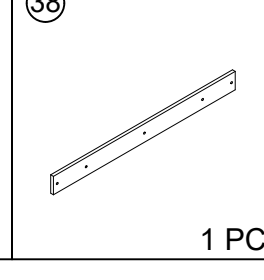
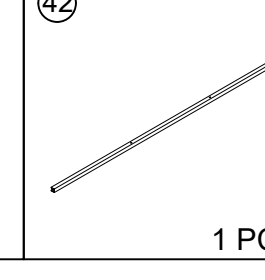
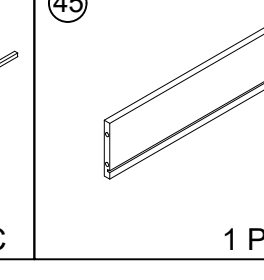
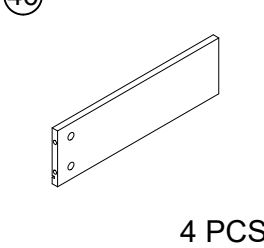
47 X4



48 X4

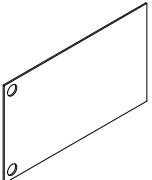
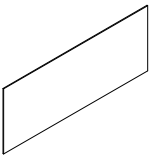
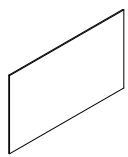
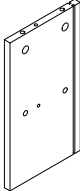
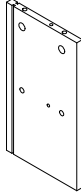
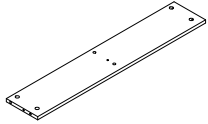
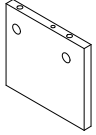
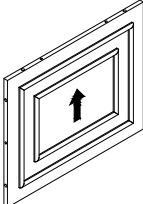
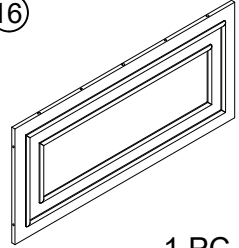
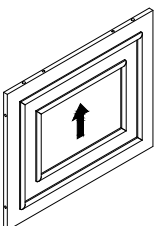

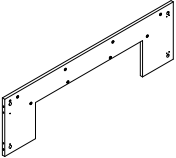
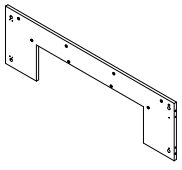
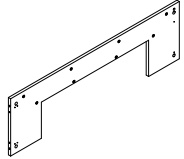
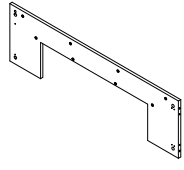
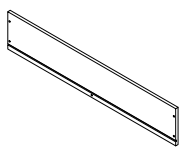
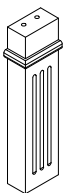
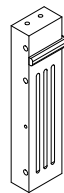
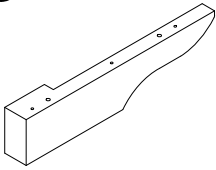
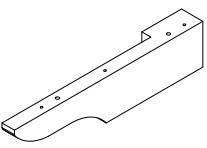
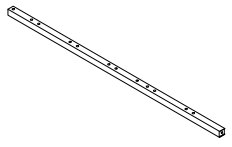

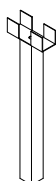
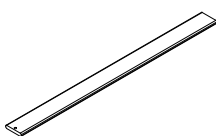
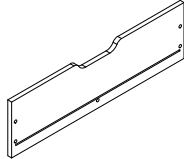
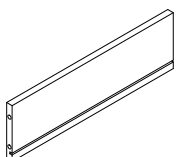
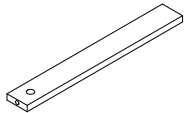
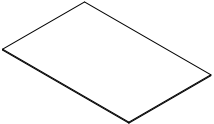
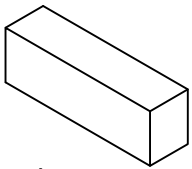
# Part List

## Hardware list:


|   |   |   |  |   |
|---|---|---|--|---|
|  <p>1 PC</p>    |  <p>1 PC</p>   |  <p>1 PC</p>   |  <p>1 PC</p>   |  <p>1 PC</p>   |
|  <p>1 PC</p>    |  <p>1 PC</p>   |  <p>1 PC</p>   |  <p>1 PC</p>   |  <p>1 PC</p>   |
|  <p>4 PCS</p>  |  <p>4 PCS</p> |  <p>2 PCS</p> |  <p>1 PC</p>  |  <p>1 PC</p>  |
|  <p>1 PC</p>  |  <p>1 PC</p> |  <p>1 PC</p> |  <p>1 PC</p> |  <p>1 PC</p> |
|  <p>4 PCS</p> |   |   |  |   |

# Part List

## Hardware list:


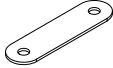

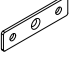


|  |  |  |   |  |
|--|--|--|---|--|
|  <p>1 PC</p>    |  <p>1 PC</p>    |  <p>1 PC</p>    |  <p>1 PC</p>               |  <p>1 PC</p>    |
|  <p>1 PC</p>    |  <p>1 PC</p>    |  <p>1 PC</p>    |  <p>1 PC</p>                |  <p>1 PC</p>    |
|  <p>2 PCS</p>  |  <p>1 PC</p>   |  <p>1 PC</p>   |  <p>1 PC</p>               |  <p>1 PC</p>   |
|  <p>4 PCS</p> |  <p>1 PC</p>  |  <p>1 PC</p>  |  <p>1 PC</p>              |  <p>1 PC</p>  |
|  <p>4 PCS</p> |  <p>4 PCS</p> |  <p>2 PCS</p> |  <p>30 PCS</p>            |  <p>4 PCS</p> |
|  <p>3 PCS</p> |  <p>4 PCS</p> |  <p>4 PCS</p> |  <p>Hardware<br/>1 PC</p> |  |

## Hardware List

| No. | Code     | Diagram   | Description | Quantity | Spare |
|-----|----------|---|-------------|----------|-------|
| 1   | <b>A</b> |    | Ø6 x 40 mm  | 130pcs   | 8     |
| 2   | <b>B</b> |    | Ø15 x 10 mm | 134pcs   | 8     |
| 3   | <b>C</b> |    | Ø6 x 60 mm  | 4pcs     |       |
| 4   | <b>D</b> |    | M6 x 10mm   | 4pcs     |       |
| 5   | <b>E</b> |    | Ø6 x 30 mm  | 66pcs    | 6     |
| 6   | <b>F</b> |    | Ø4 x 30mm   | 20pcs    | 2     |
| 7   | <b>G</b> |    | Ø4 x 20mm   | 32pcs    | 4     |
| 8   | <b>H</b> |    | Ø3 x 16mm   | 19pcs    | 2     |
| 9   | <b>I</b> |   |             | 14pcs    | 1     |
| 10  | <b>J</b> |  | Ø3.5 x 14mm | 78pcs    | 8     |
| 11  | <b>K</b> |  | M5 x 40mm   | 16pcs    | 1     |
| 12  | <b>L</b> |  |             | 1pc      |       |
| 13  | <b>M</b> |  | M6 x 12mm   | 12PCS    |       |
| 14  | <b>N</b> |  | M6 x 20mm   | 37PCS    | 2     |
| 15  | <b>O</b> |  | M6 x 35mm   | 10PCS    |       |
| 16  | <b>P</b> |  |             | 20pcs    | 2     |
| 17  | <b>Q</b> |  |             | 10pcs    |       |
| 18  | <b>R</b> |  |             | 16pcs    |       |
| 19  | <b>S</b> |  |             | 5pcs     |       |
| 20  | <b>T</b> |  |             | 1set     |       |

THE SPARE BAG INCLUDED EXTRA HARDWARE FOR DAMAGED OR MISSING SMALL HARDWARE WHILE YOU ARE ASSEMBLING

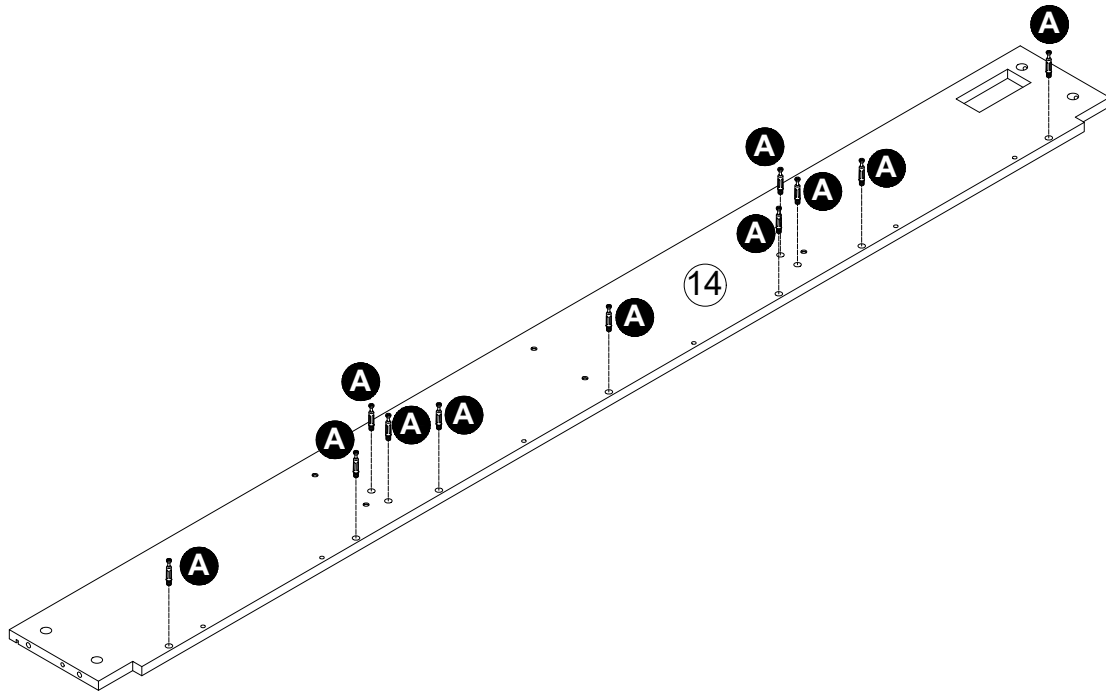
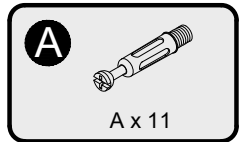
## Hardware List

| No. | Code     | Diagram   | Description | Quantity | Spare |
|-----|----------|---|-------------|----------|-------|
| 21  | <b>U</b> |  | Ø20 mm      | 100pcs   | 6     |
| 22  | <b>V</b> |  |             | 2pcs     |       |
| 23  | <b>W</b> |  |             | 2pcs     |       |
| 24  | <b>X</b> |  |             | 6pcs     |       |
| 25  | <b>Y</b> |  | M6 x 25mm   | 6PCS     |       |
| 26  |          |  |             | 1pc      |       |

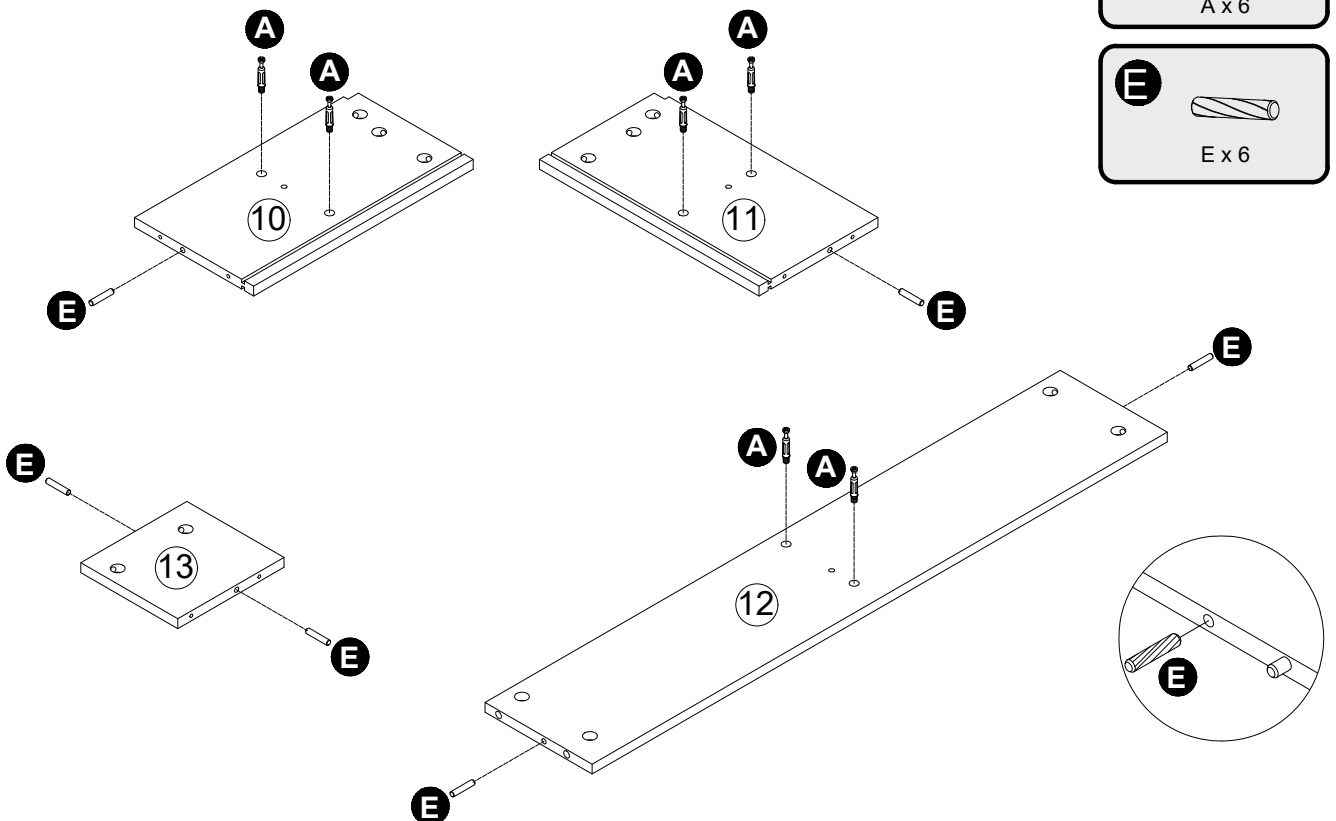
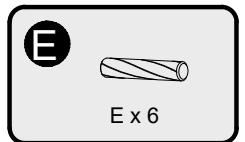
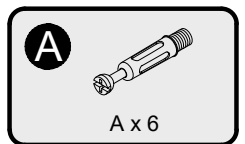
THE SPARE BAG INCLUDED EXTRA HARDWARE FOR DAMAGED OR MISSING SMALL HARDWARE WHILE YOU ARE ASSEMBLING

# Assembly Instructions

## Step 1

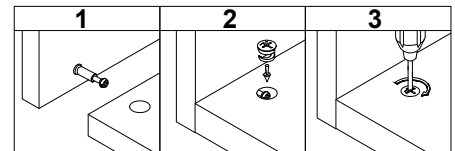
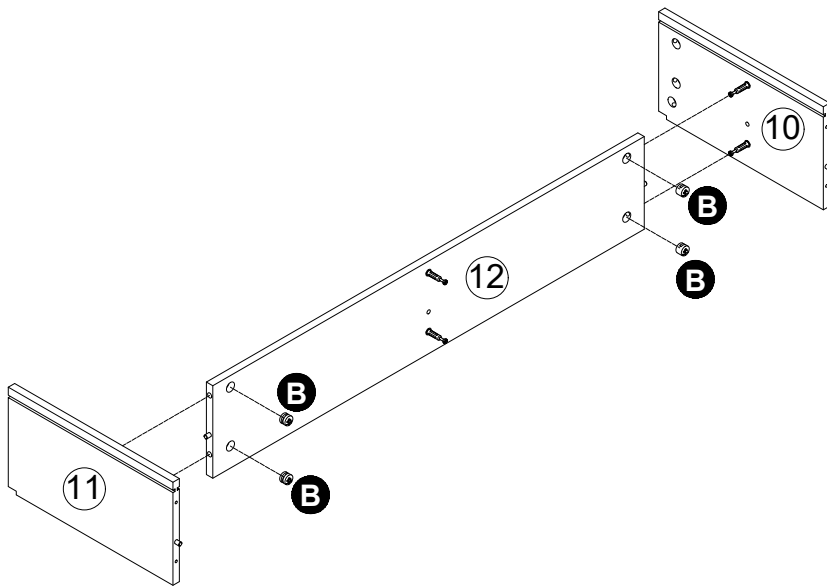
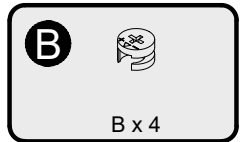


## Step 2

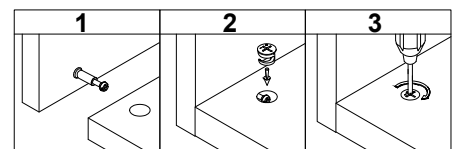
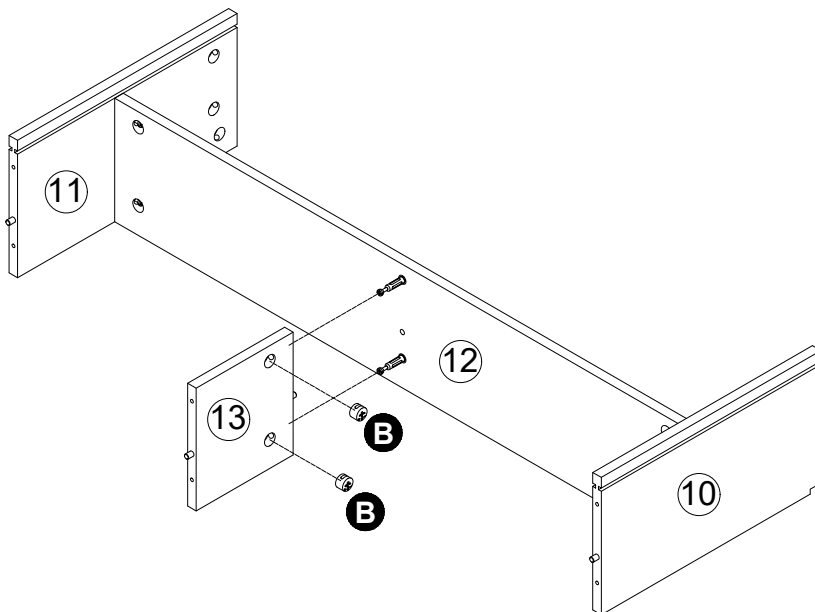
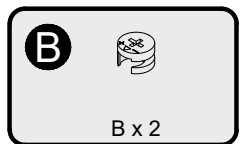


# Assembly Instructions

## Step 3

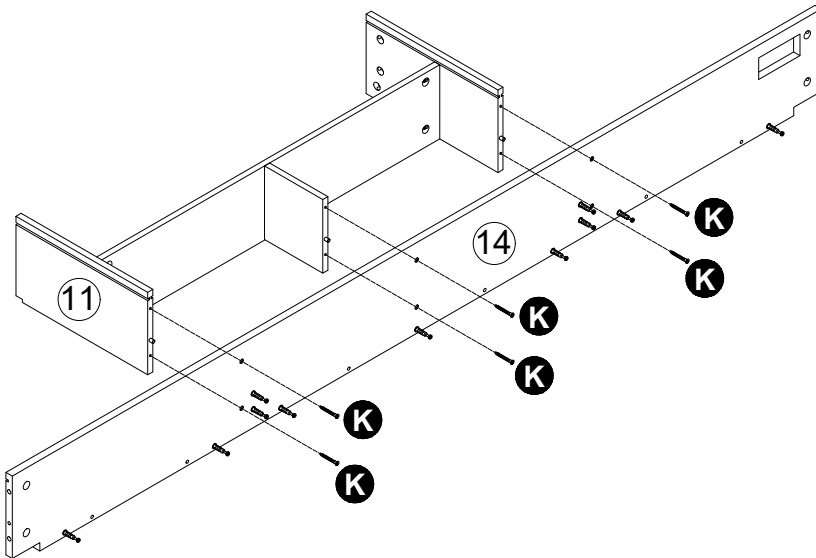
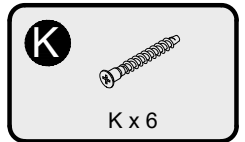


## Step 4

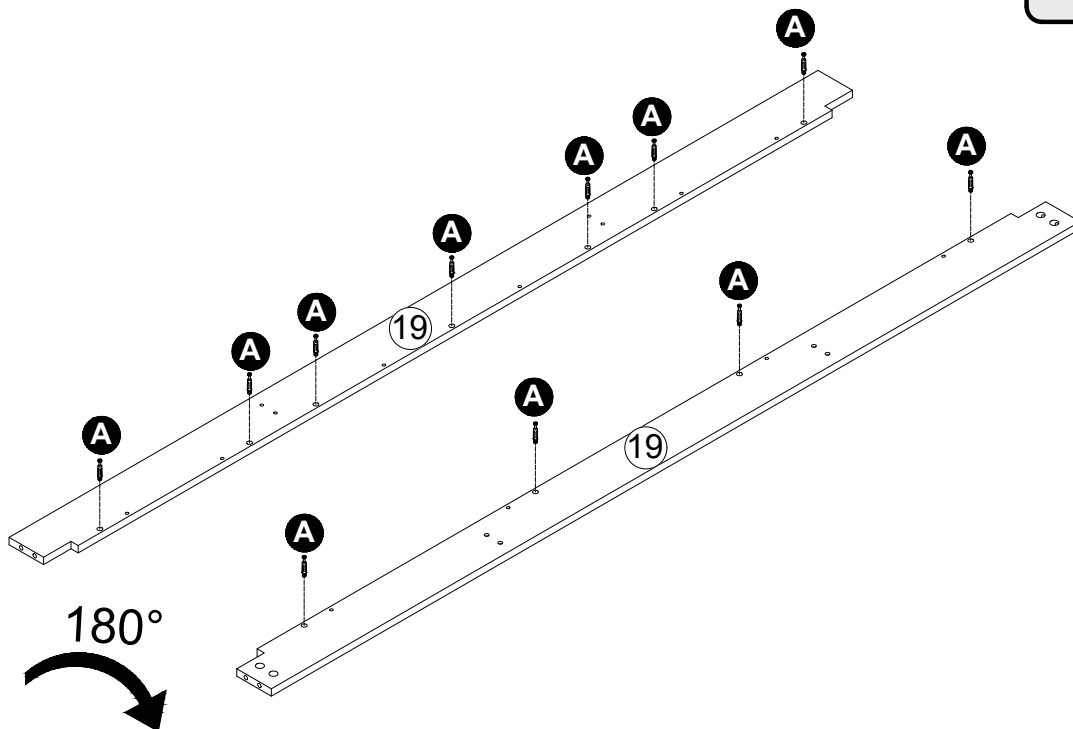
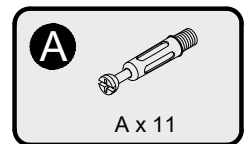


# Assembly Instructions

## Step 5

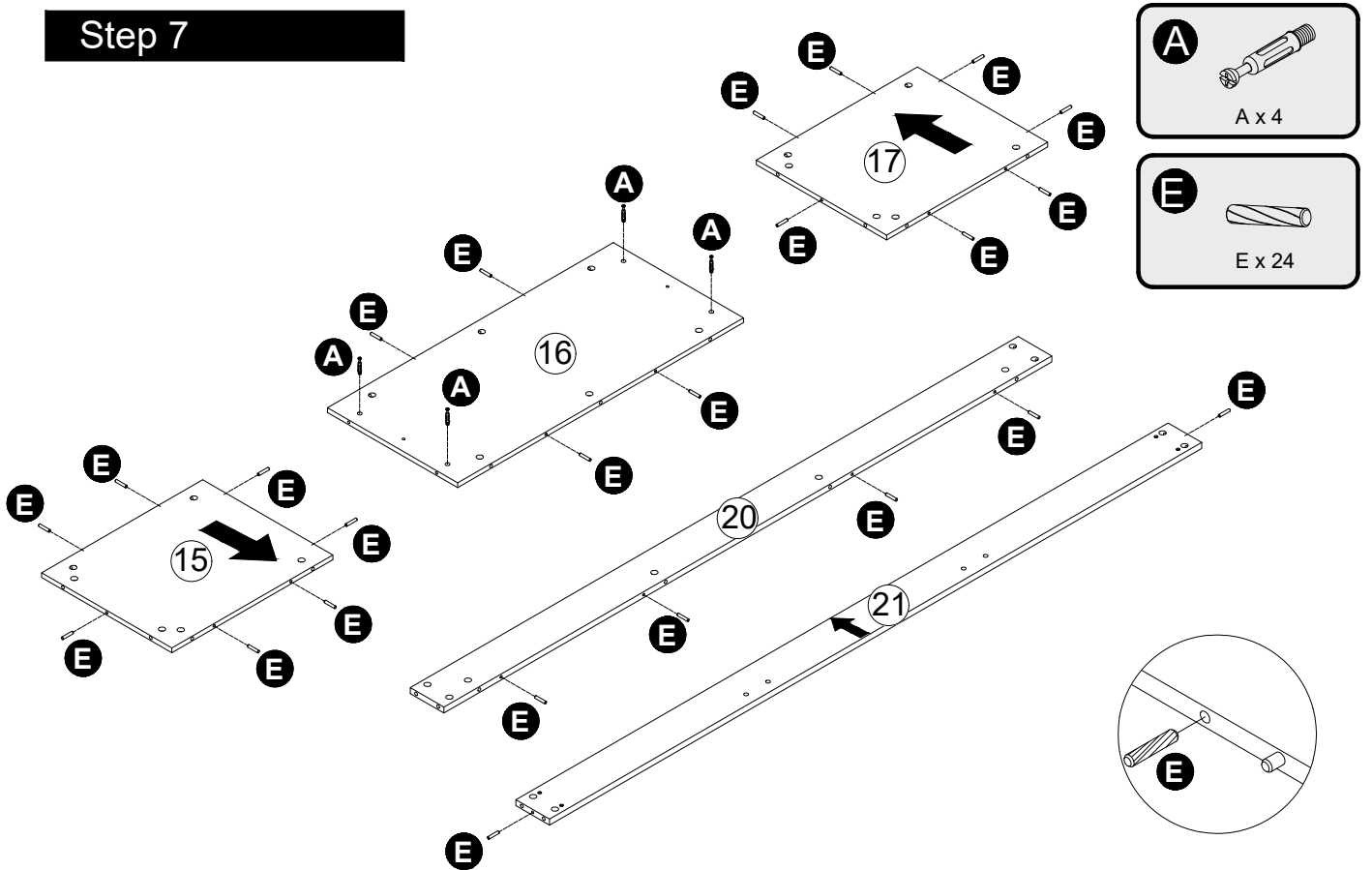


## Step 6

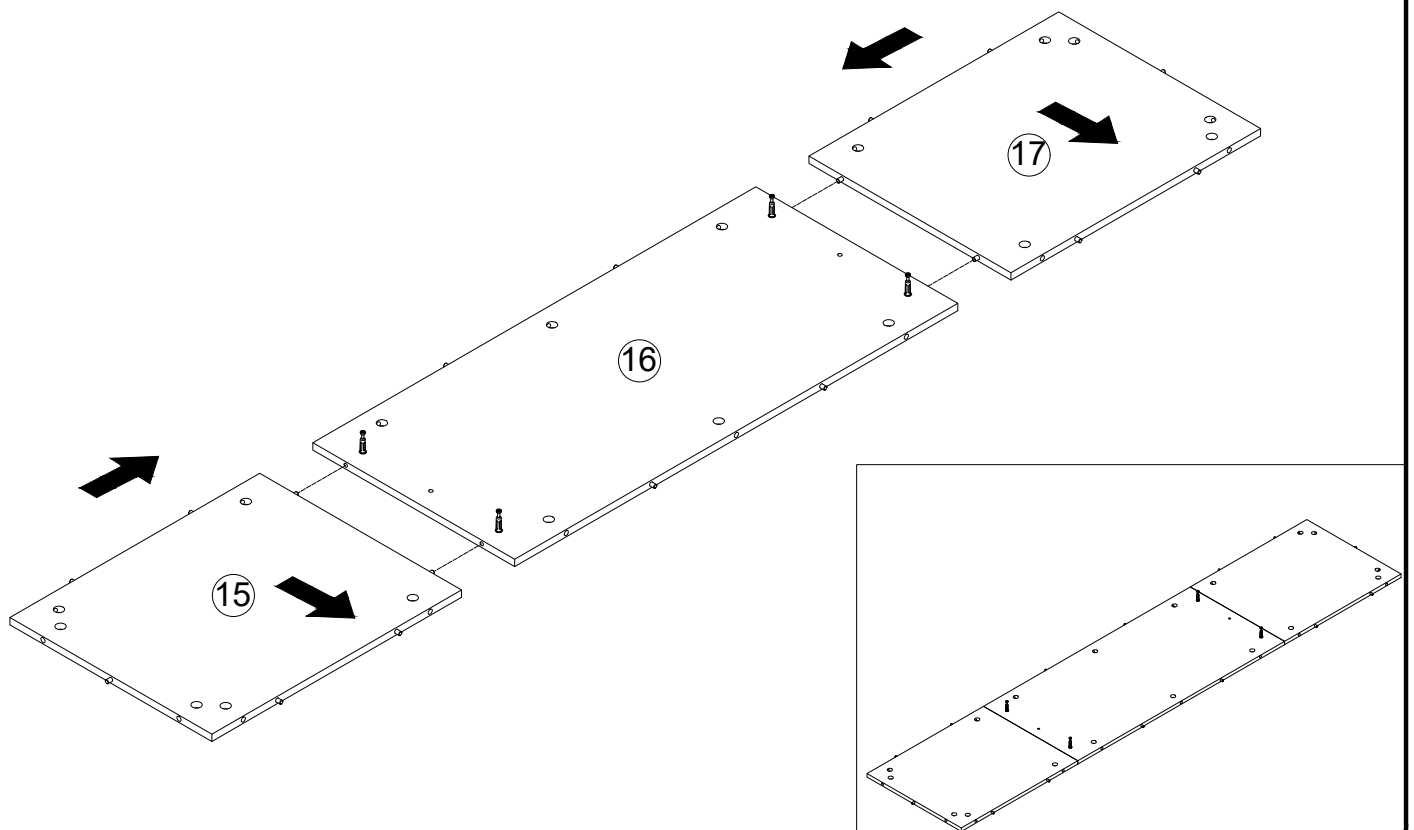


# Assembly Instructions

## Step 7

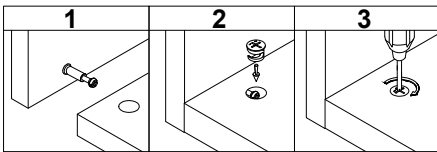
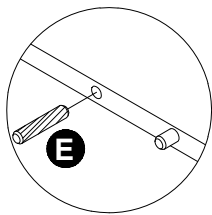
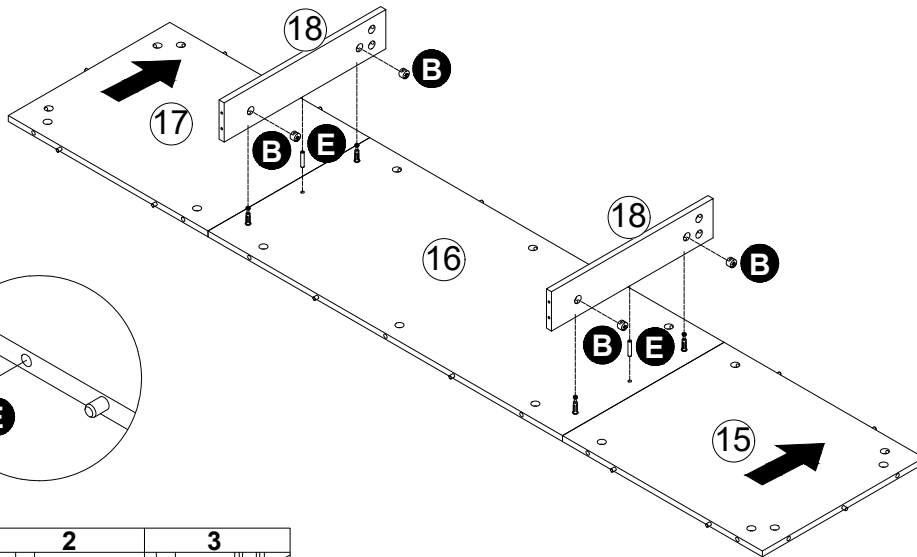
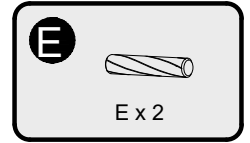
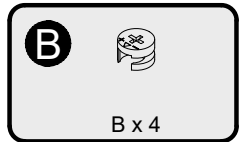


## Step 8

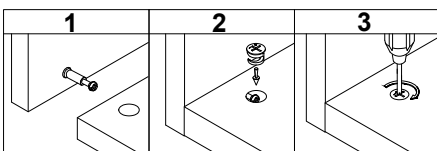
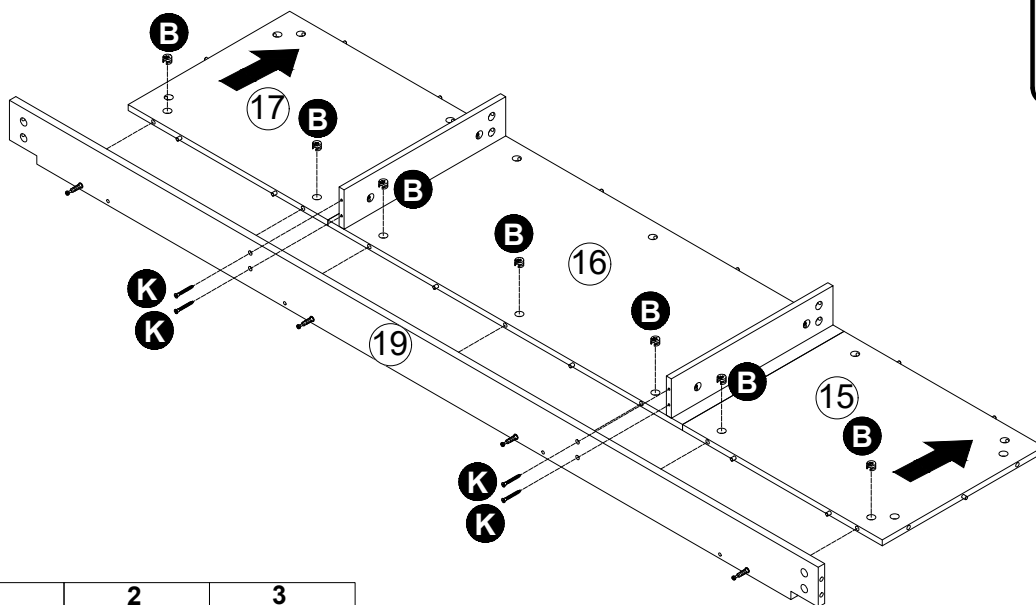
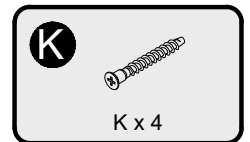


# Assembly Instructions

## Step 9



## Step 10



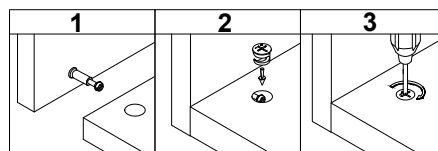
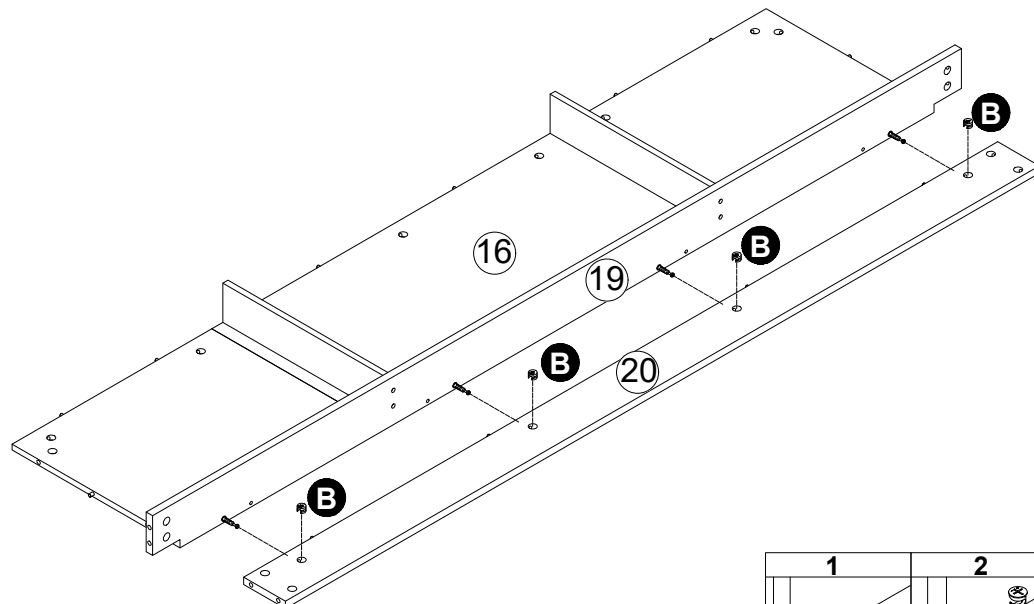
# Assembly Instructions

## Step 11

**B**



B x 4

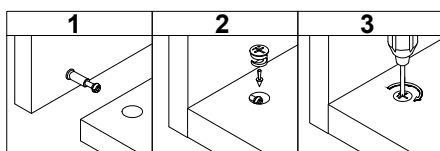
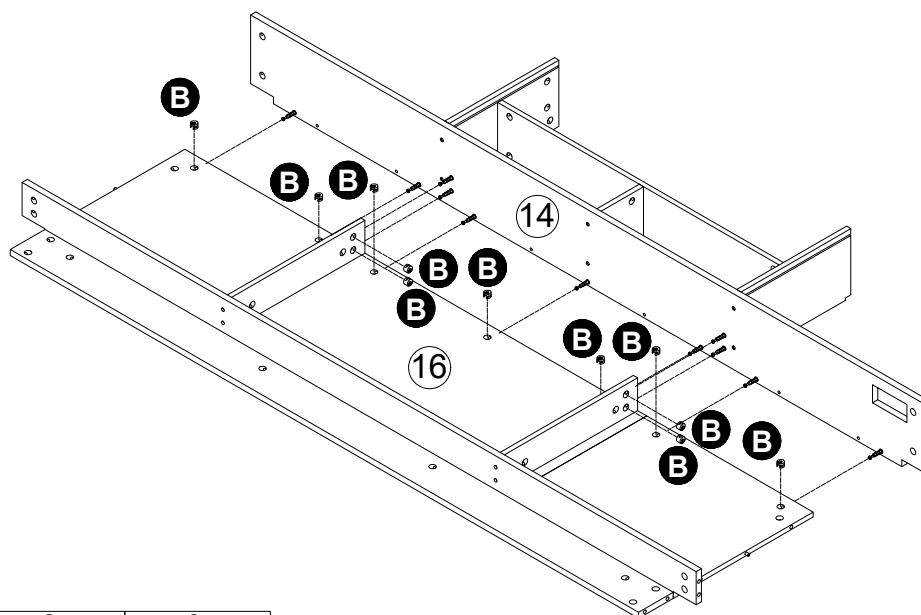


## Step 12

**B**

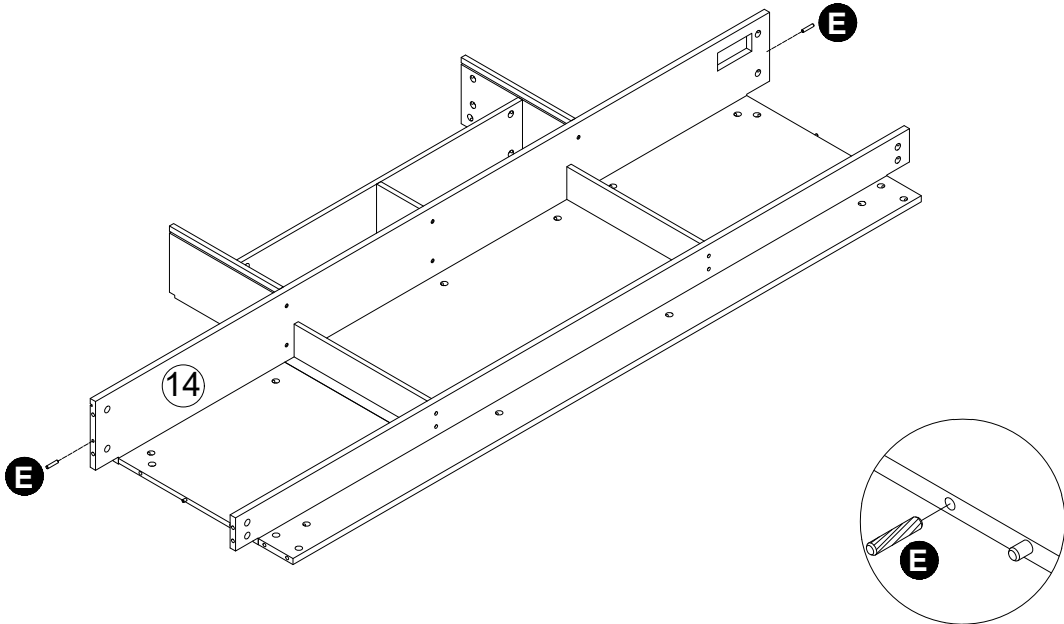
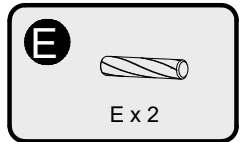


B x 11

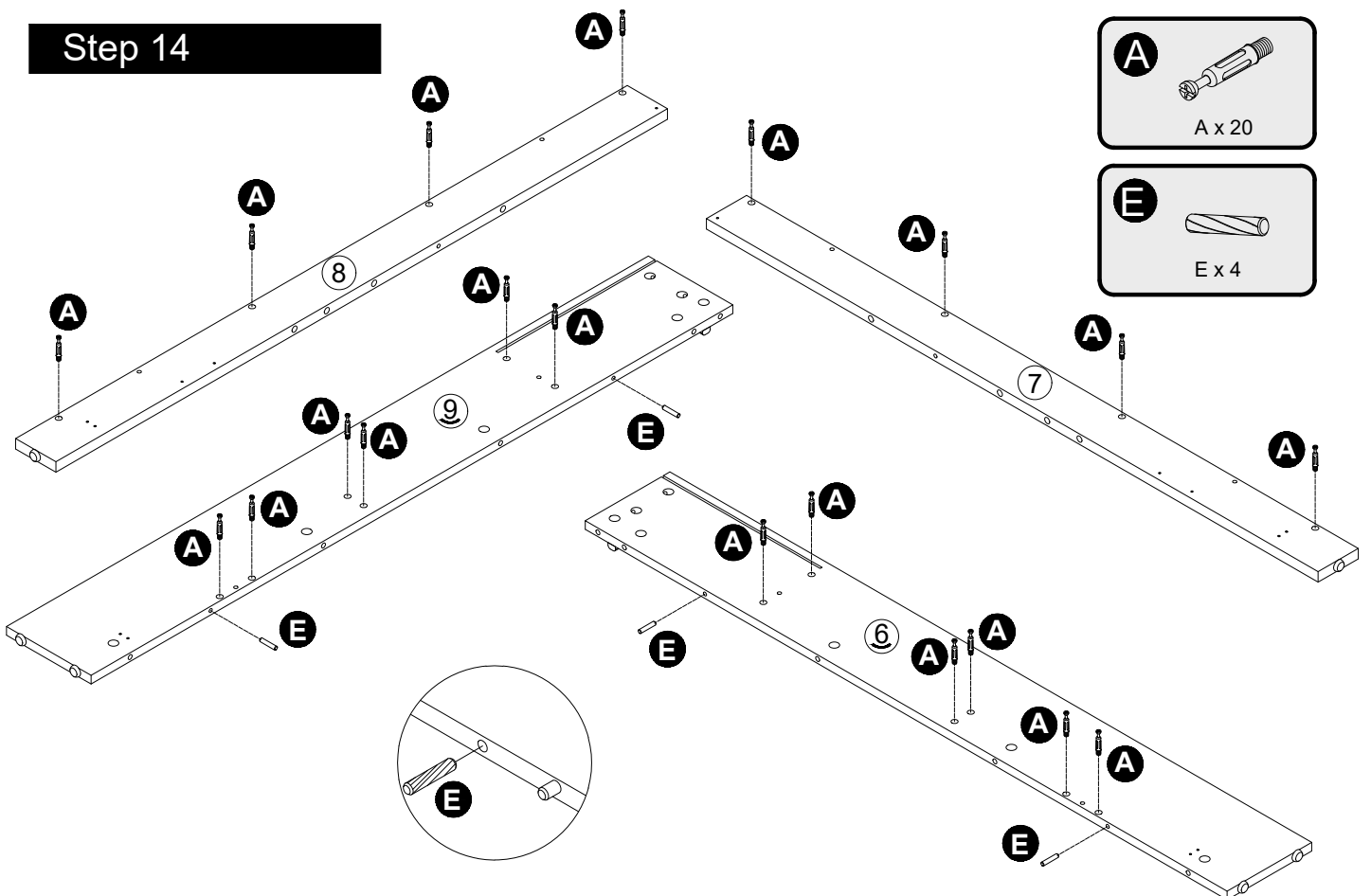
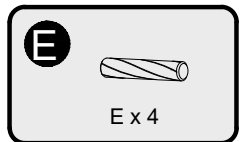
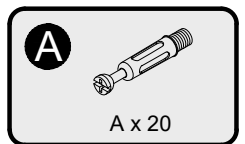


# Assembly Instructions

## Step 13

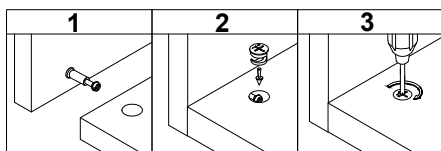
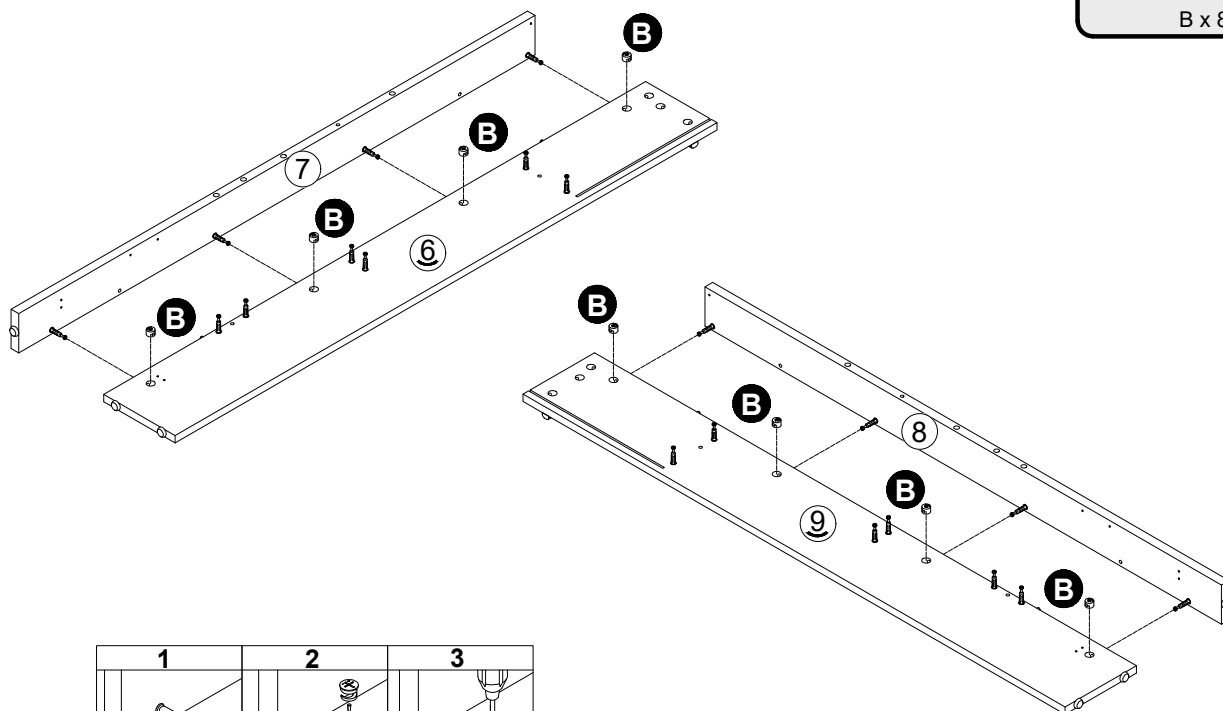


## Step 14

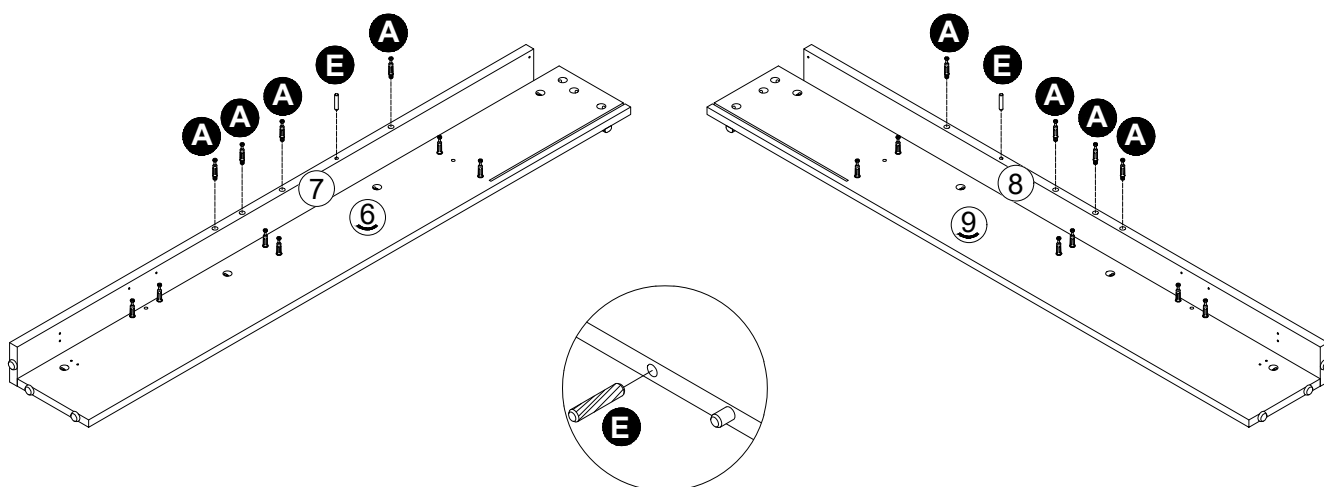
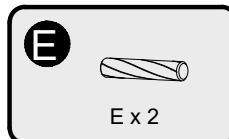
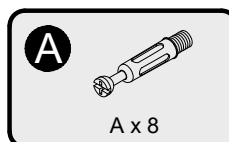


# Assembly Instructions

## Step 15

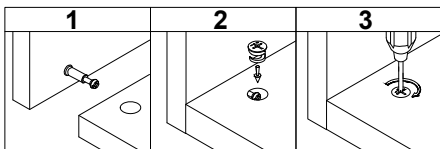
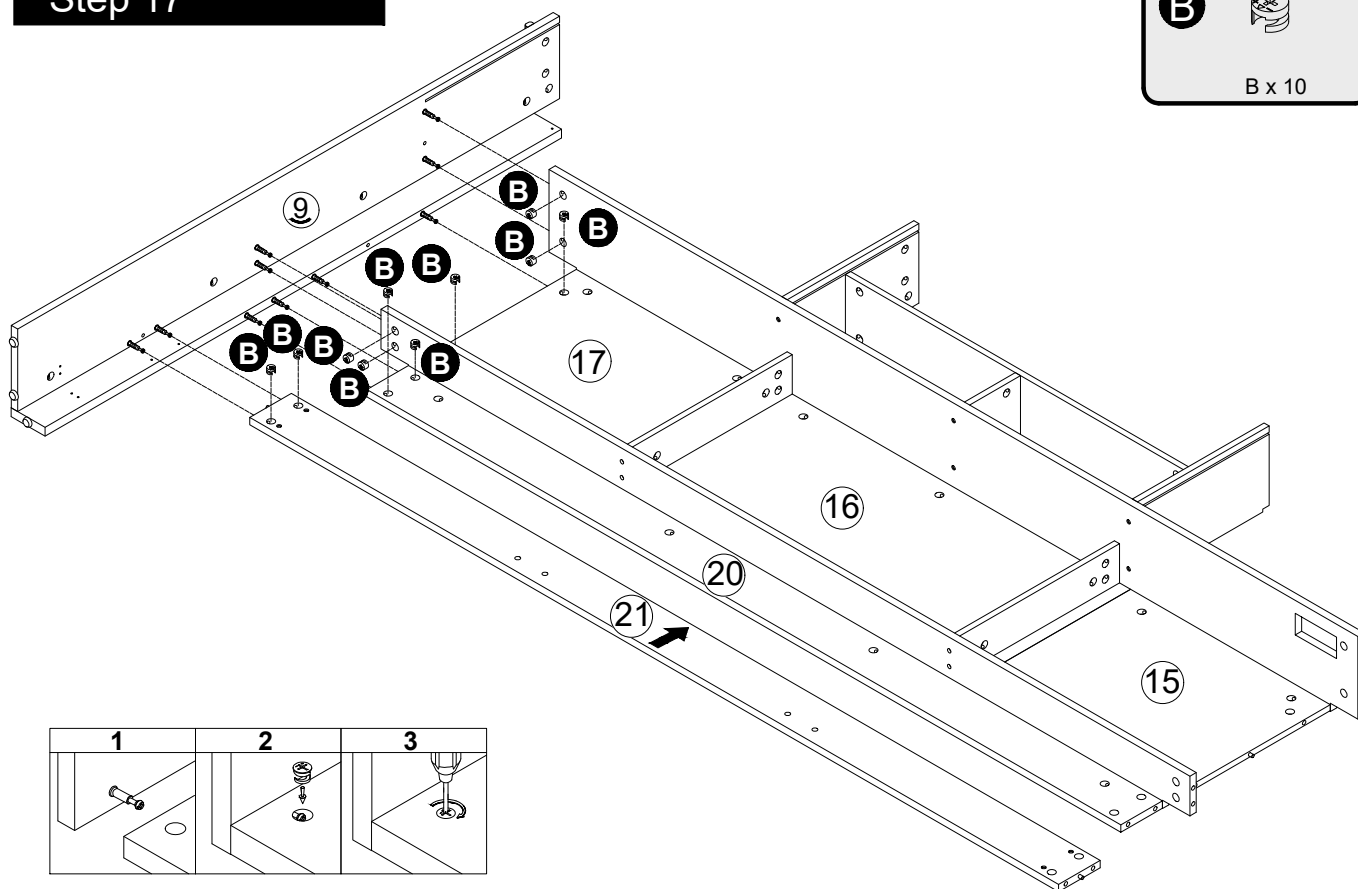


## Step 16

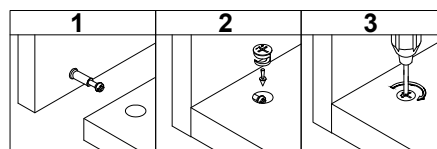
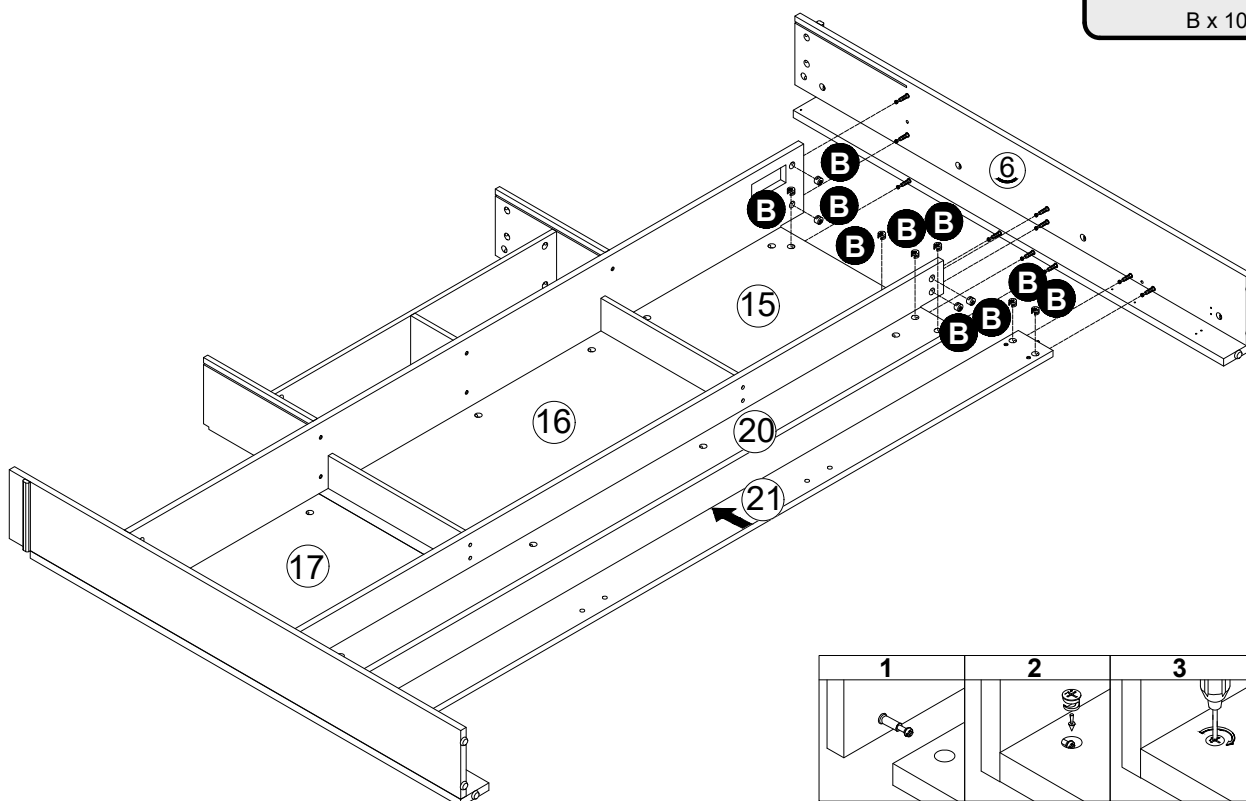
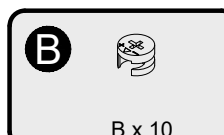


# Assembly Instructions

## Step 17

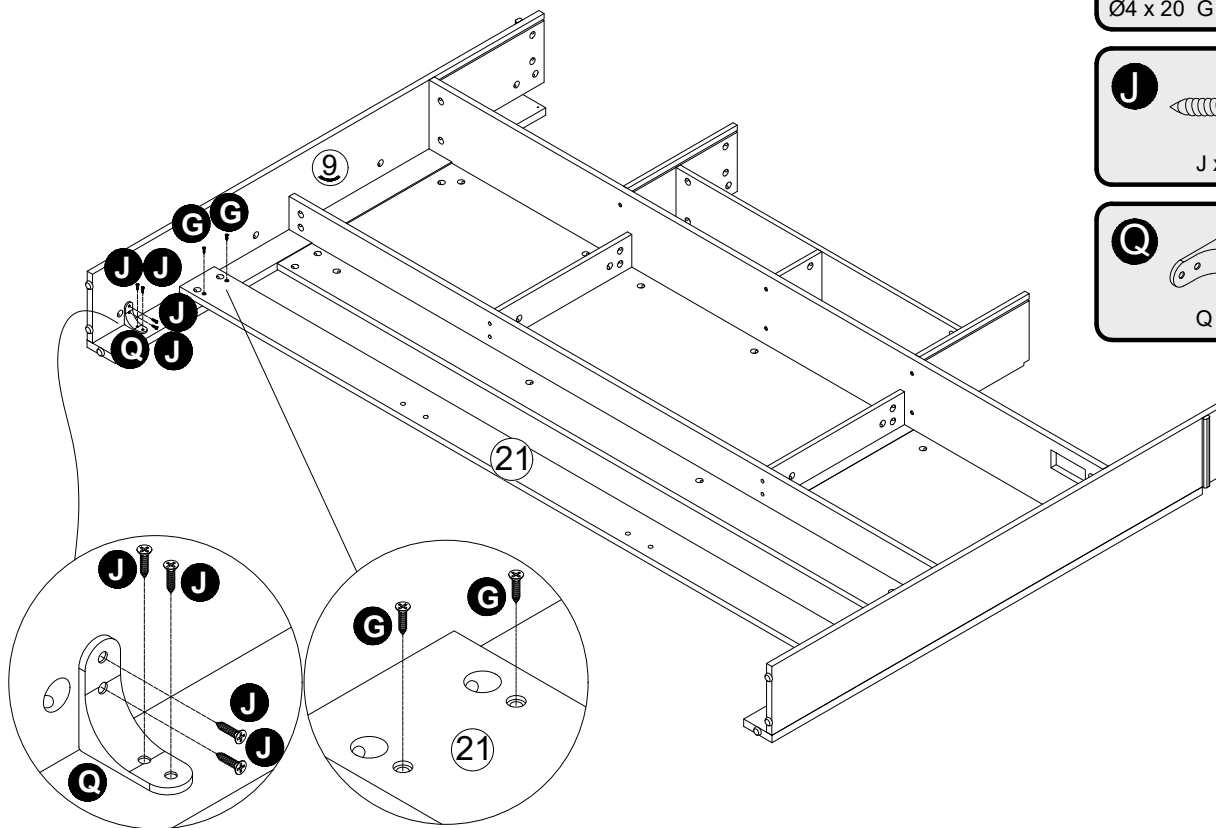


## Step 18



# Assembly Instructions

## Step 19



Ø4 x 20 G x 2



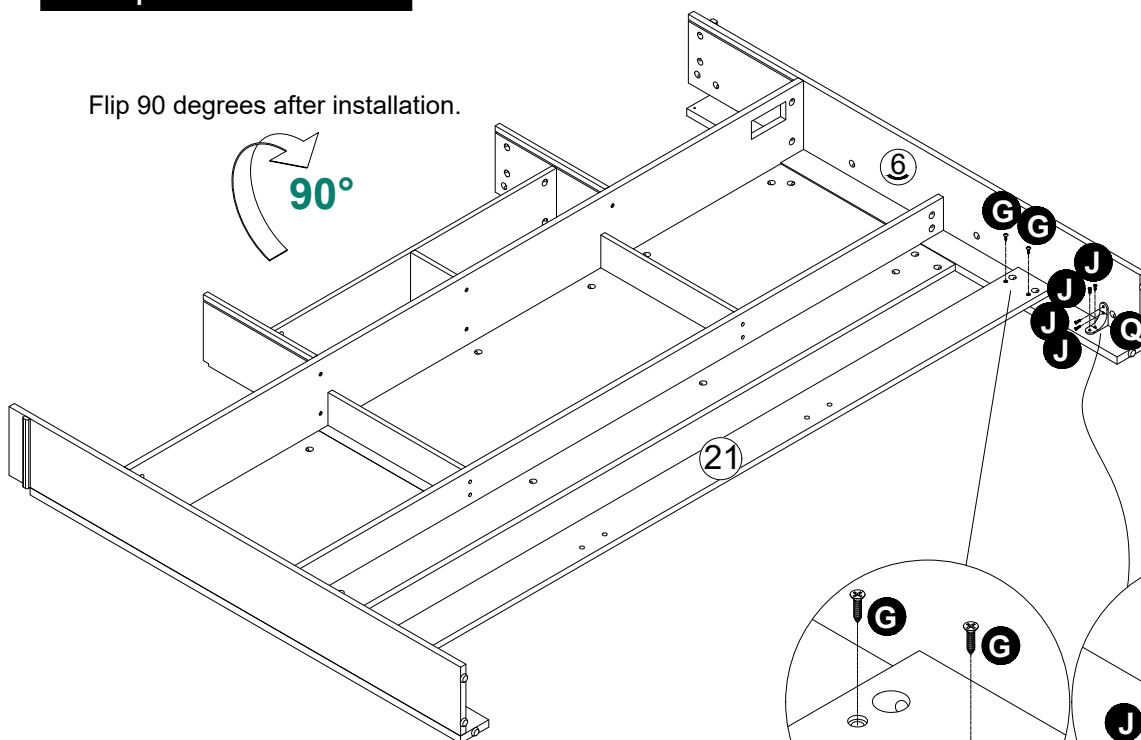
J x 4



Q x 1

## Step 20

Flip 90 degrees after installation.



Ø4 x 20 G x 2



J x 4



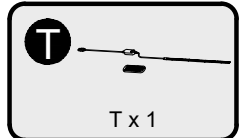
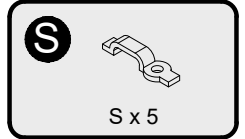
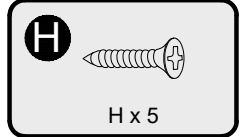
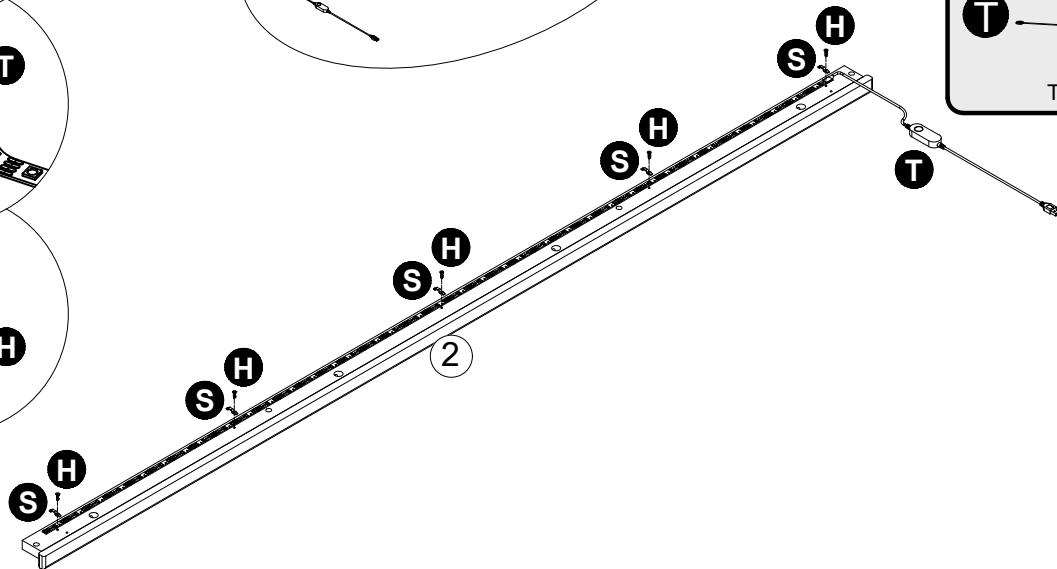
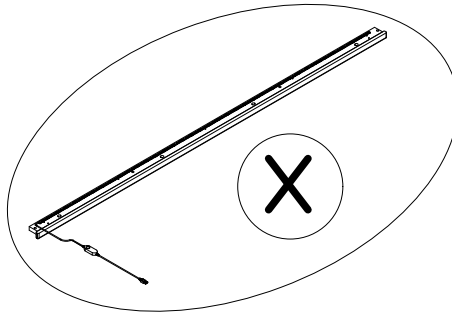
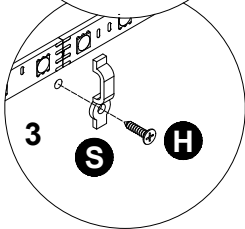
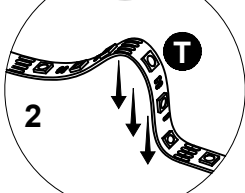
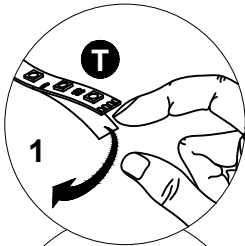
Q x 1



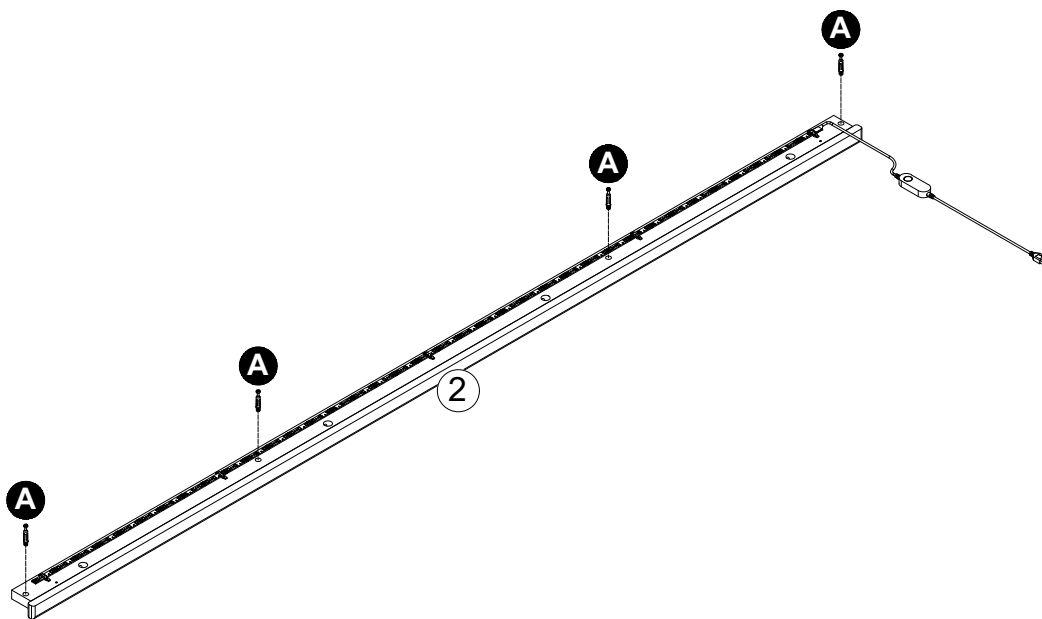
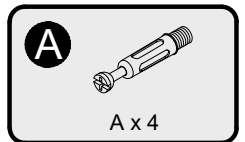
Two people are required to assemble and move this model.

# Assembly Instructions

## Step 21

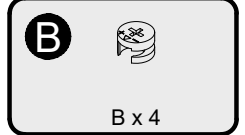
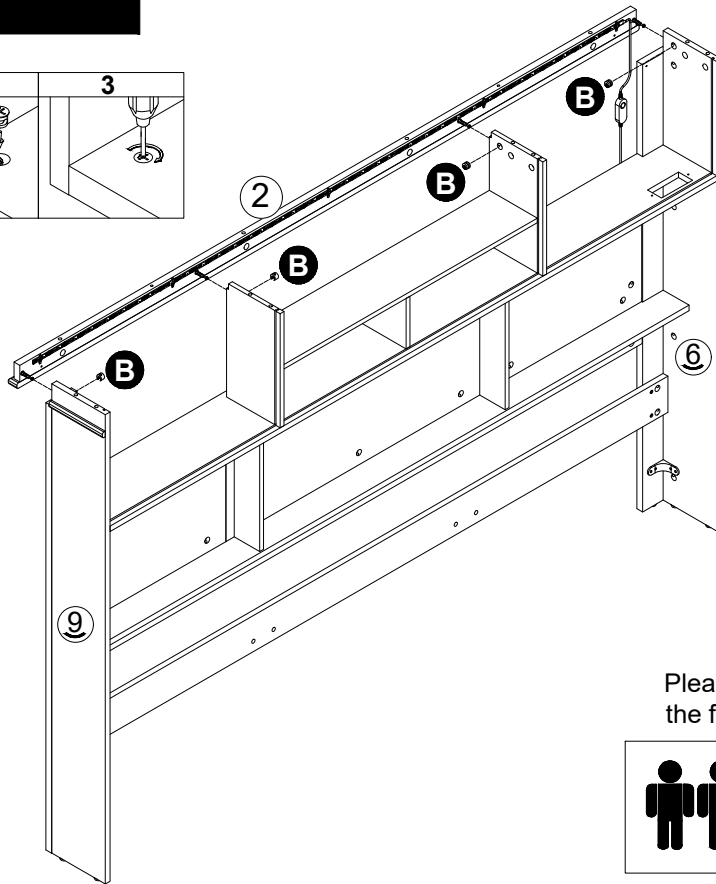
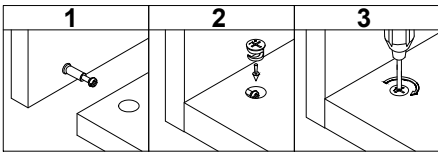


## Step 22



# Assembly Instructions

## Step 23

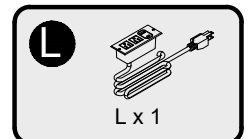
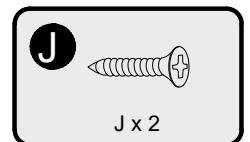
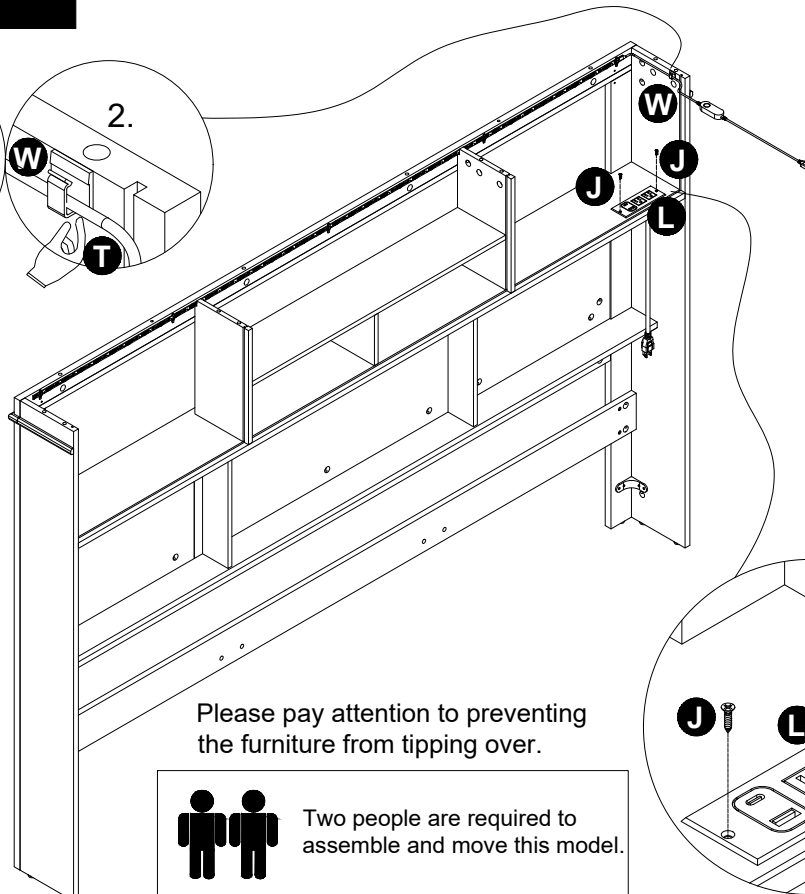
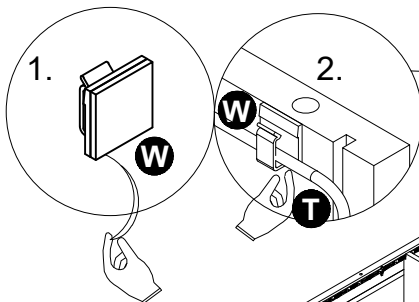


Please pay attention to preventing the furniture from tipping over.



Two people are required to assemble and move this model.

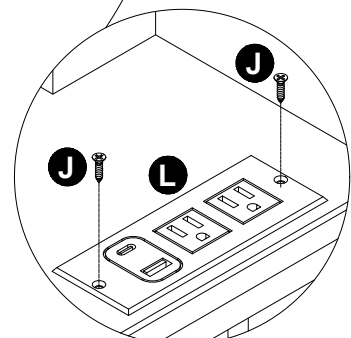
## Step 24



Please pay attention to preventing the furniture from tipping over.

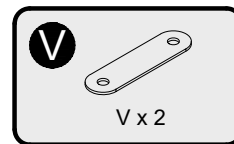
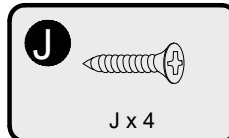
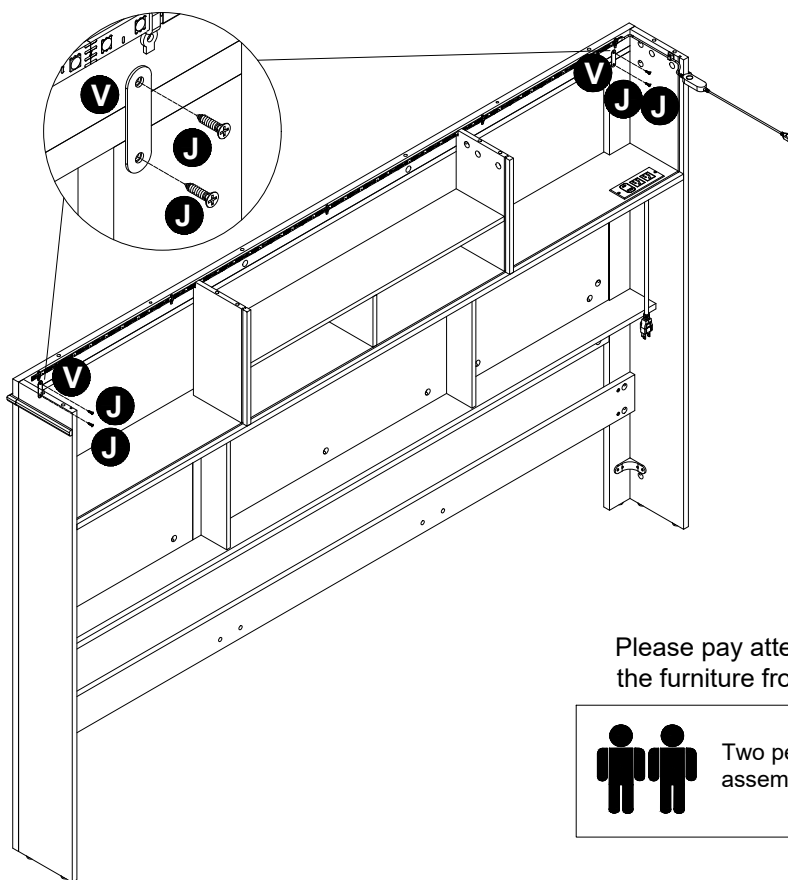


Two people are required to assemble and move this model.



# Assembly Instructions

## Step 25

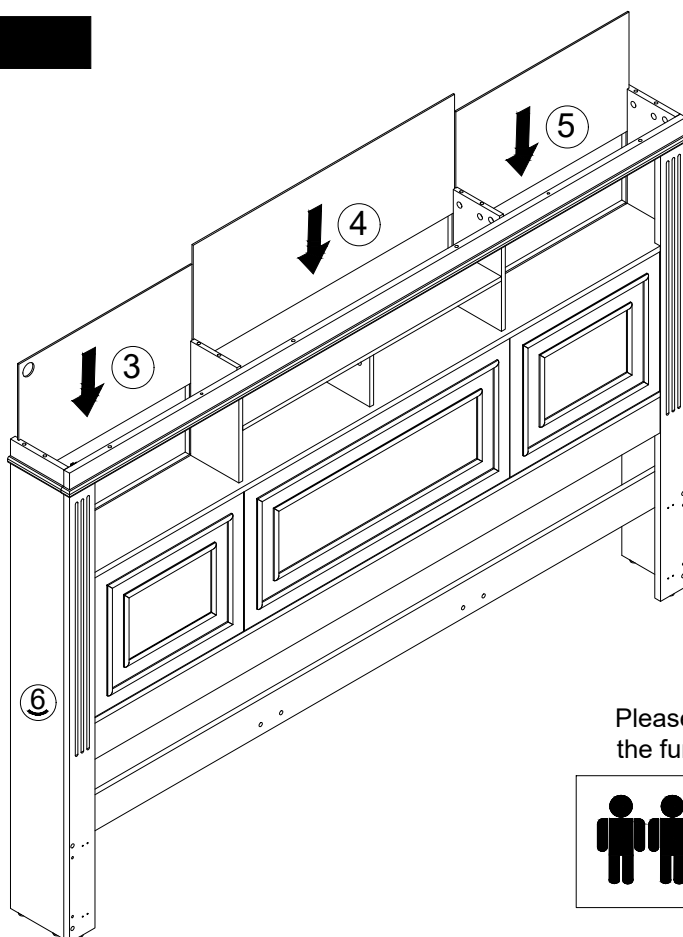


Please pay attention to preventing the furniture from tipping over.



Two people are required to assemble and move this model.

## Step 26



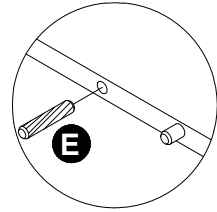
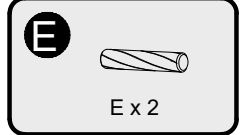
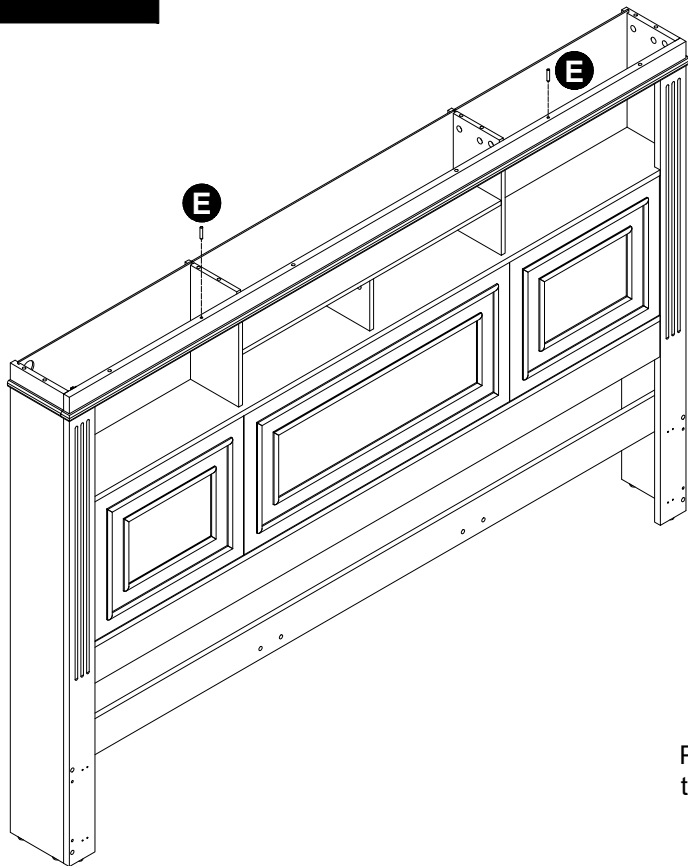
Please pay attention to preventing the furniture from tipping over.



Two people are required to assemble and move this model.

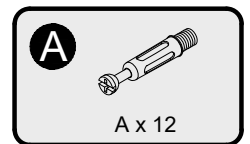
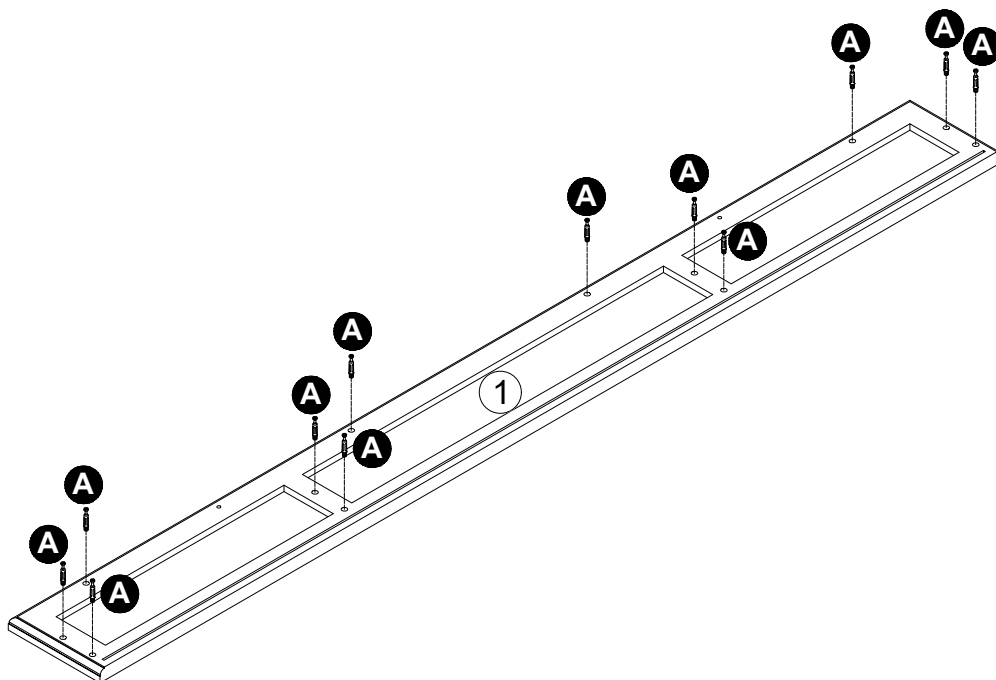
# Assembly Instructions

## Step 27



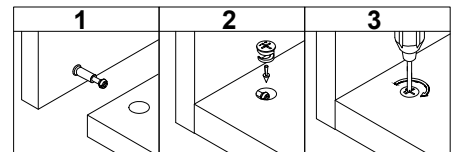
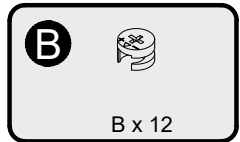
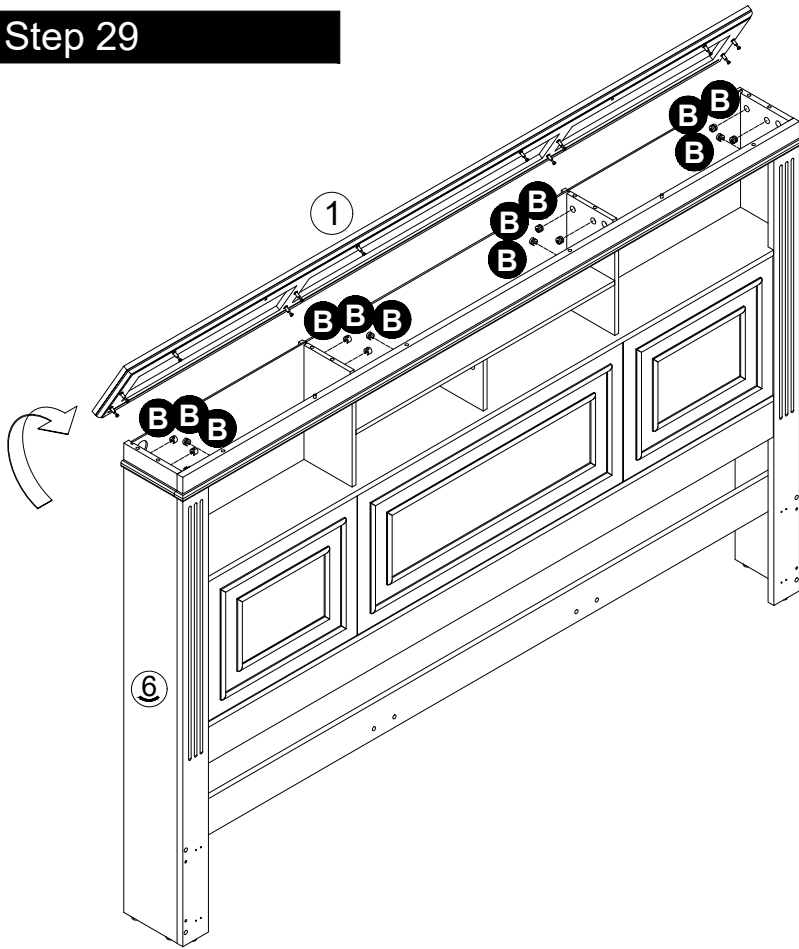
Please pay attention to preventing the furniture from tipping over.

## Step 28



# Assembly Instructions

## Step 29

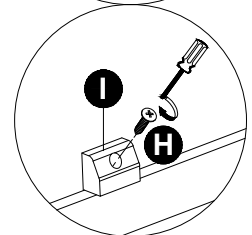
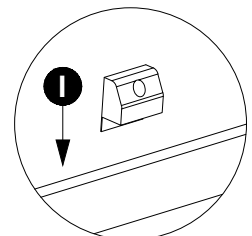
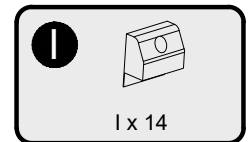
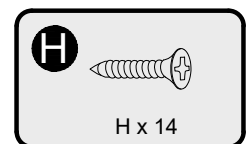
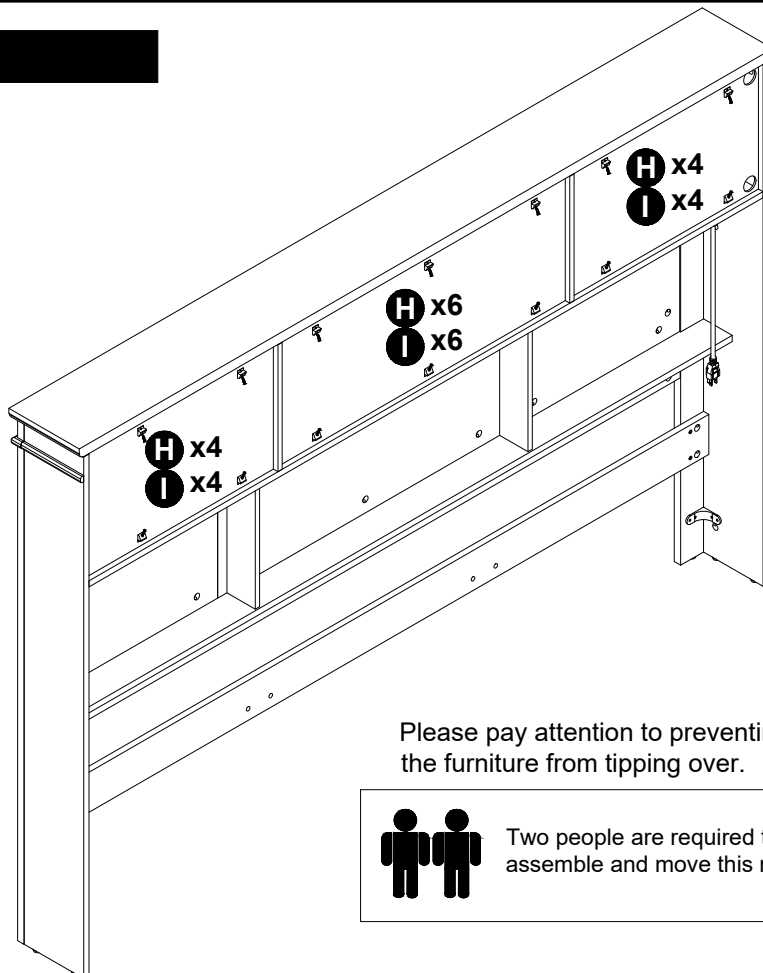


Please pay attention to preventing the furniture from tipping over.



Two people are required to assemble and move this model.

## Step 30



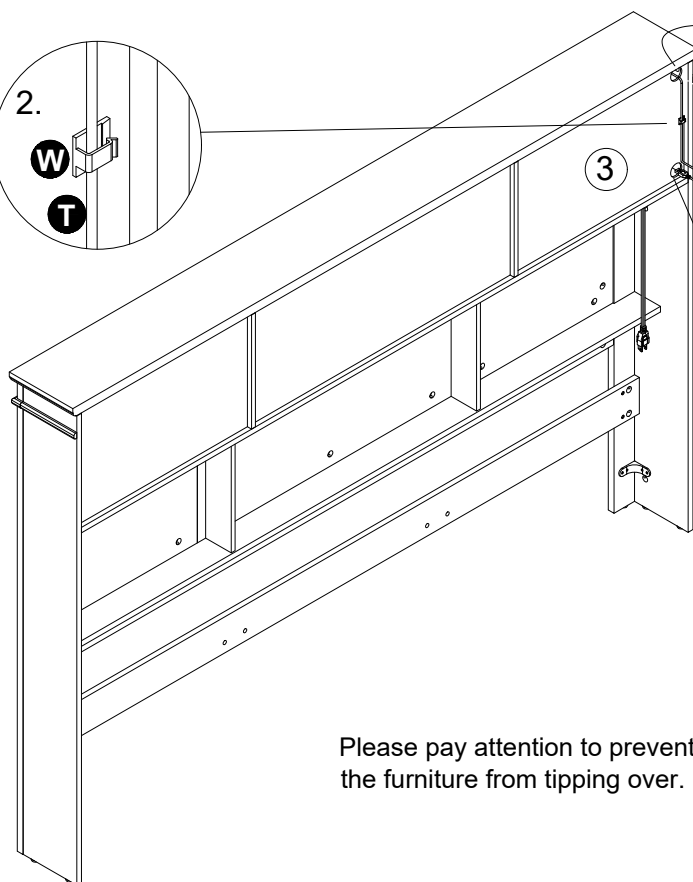
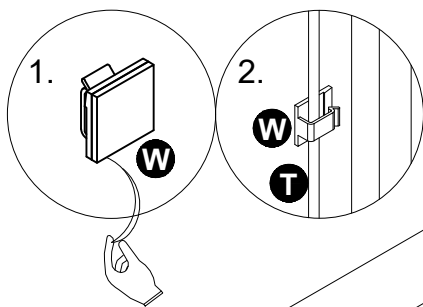
Please pay attention to preventing the furniture from tipping over.



Two people are required to assemble and move this model.

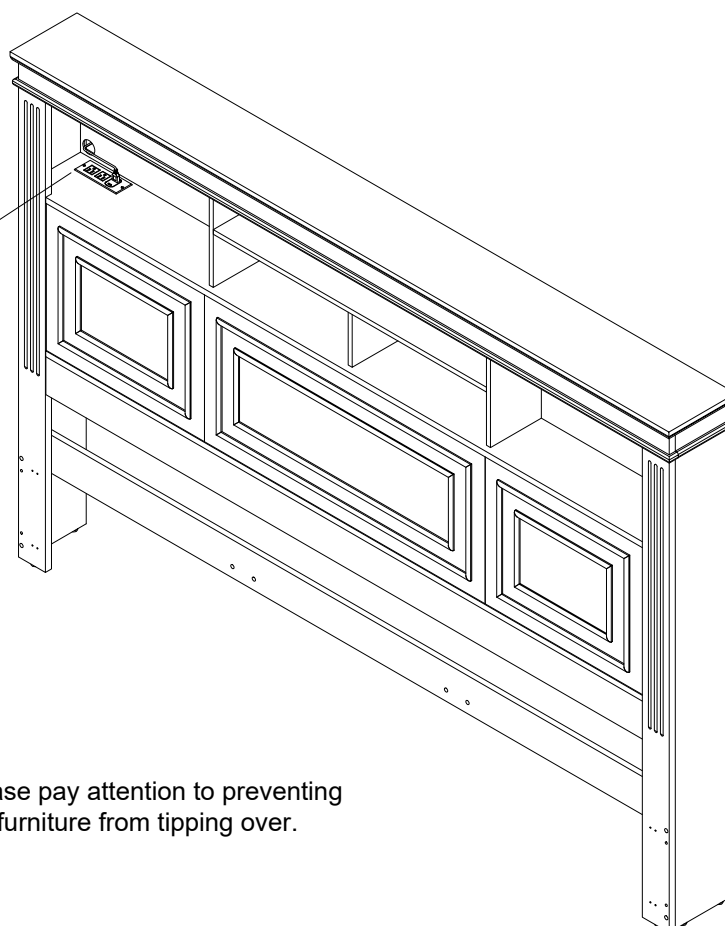
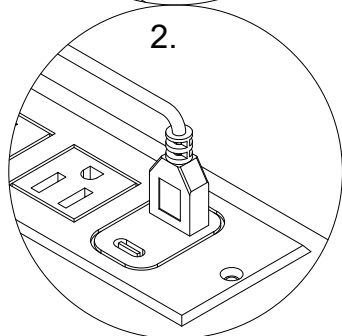
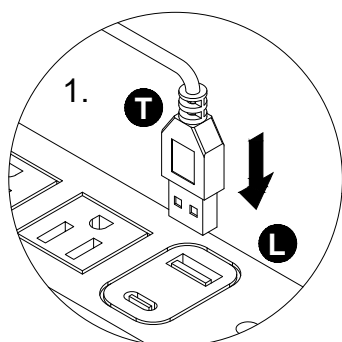
# Assembly Instructions

## Step 31



Please pay attention to preventing the furniture from tipping over.

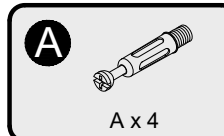
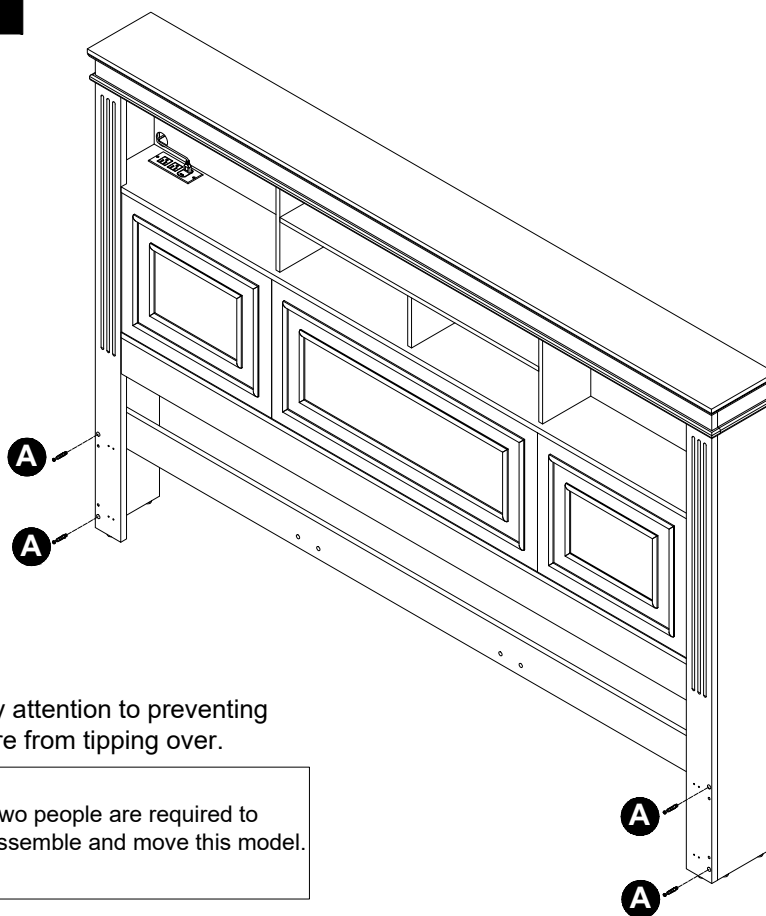
## Step 32



Please pay attention to preventing the furniture from tipping over.

# Assembly Instructions

## Step 33

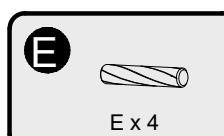
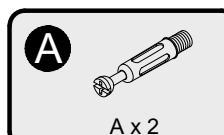
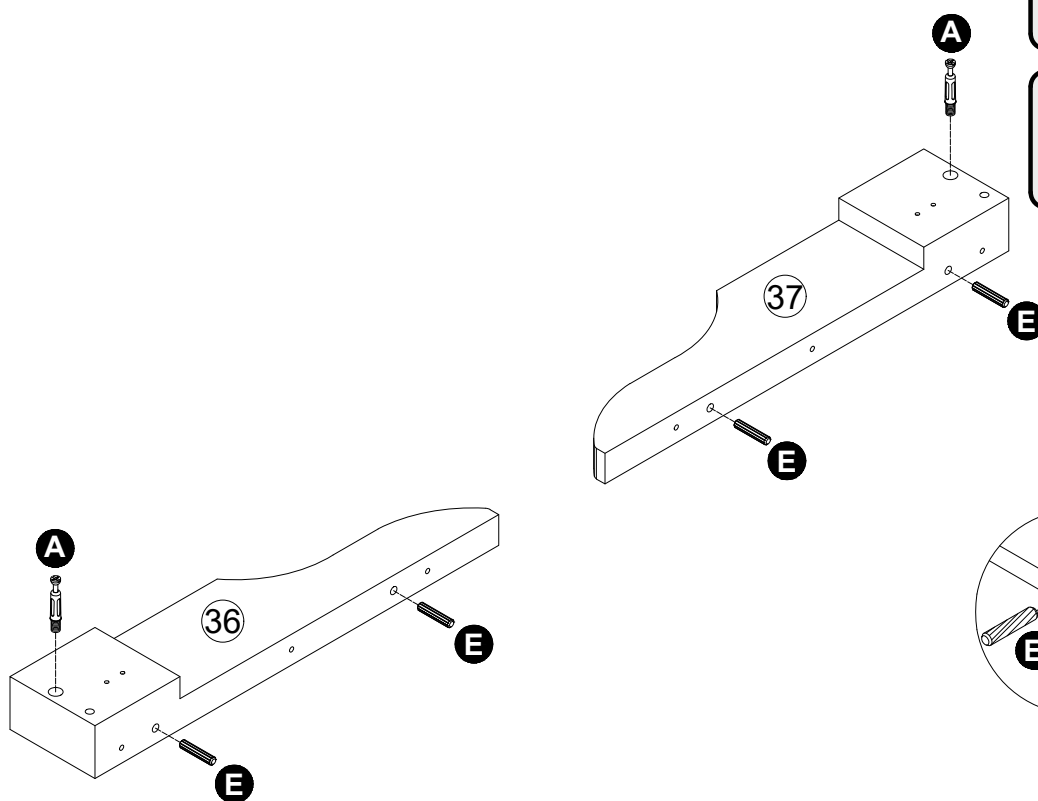


Please pay attention to preventing the furniture from tipping over.



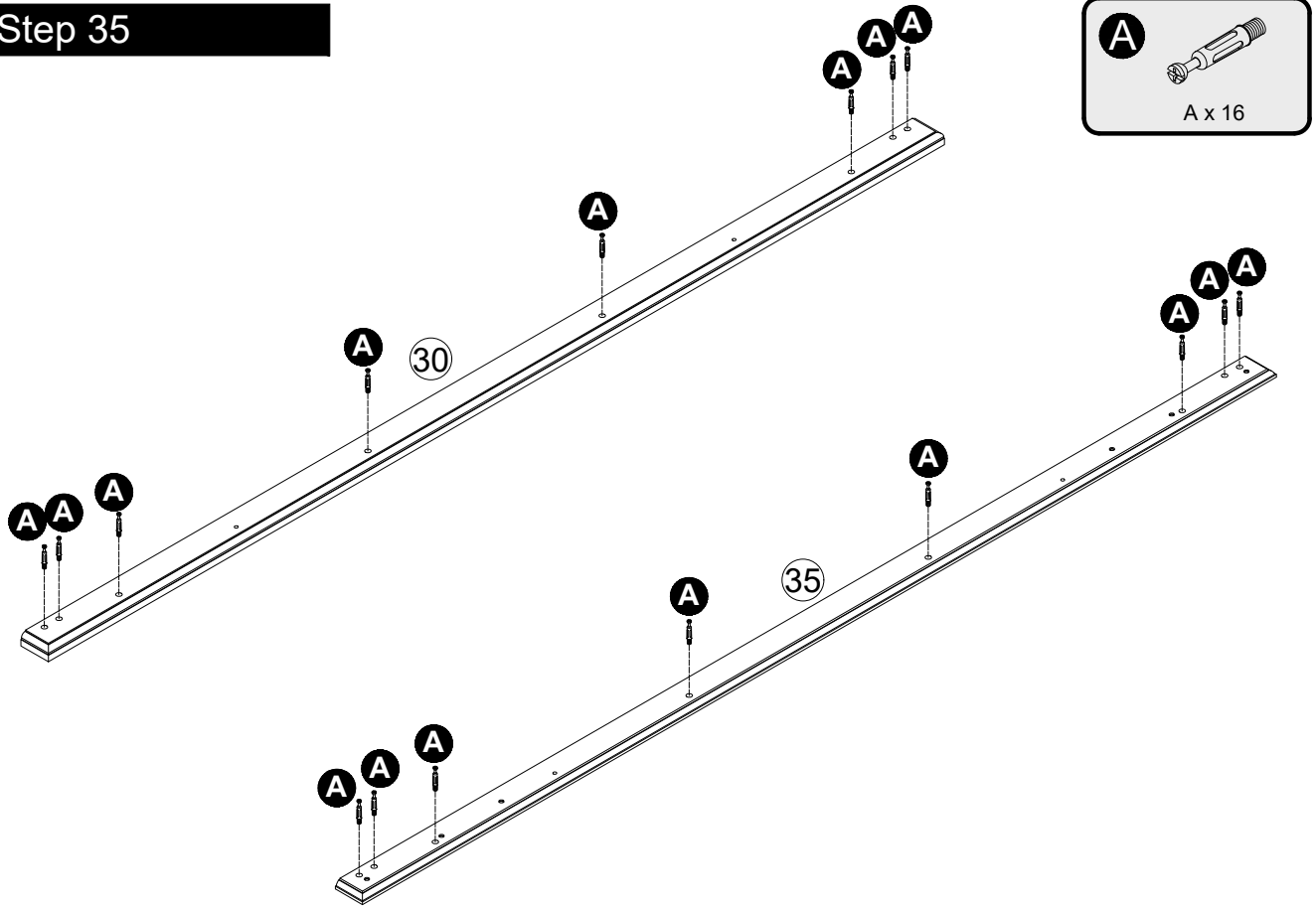
Two people are required to assemble and move this model.

## Step 34

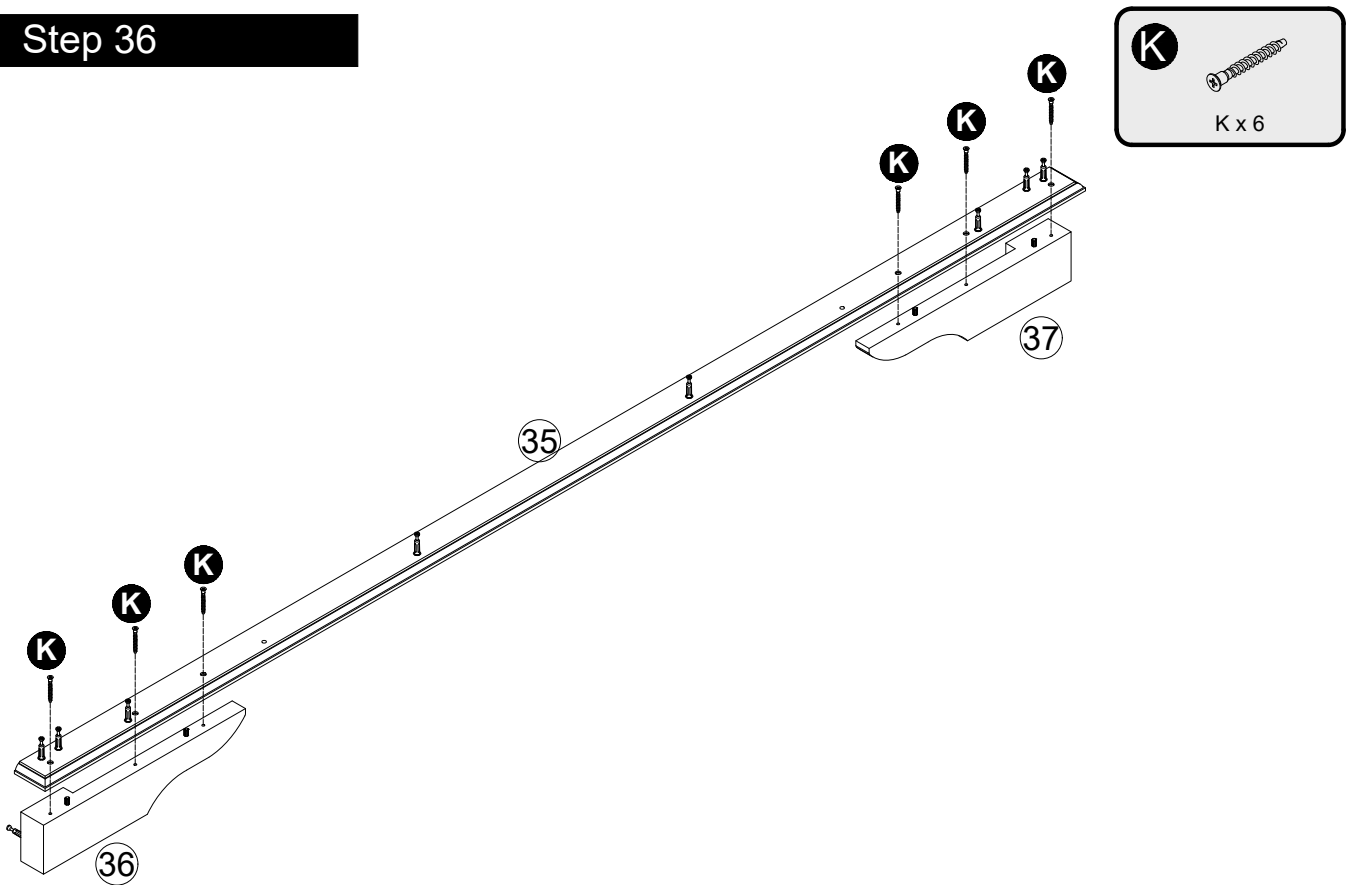


# Assembly Instructions

## Step 35

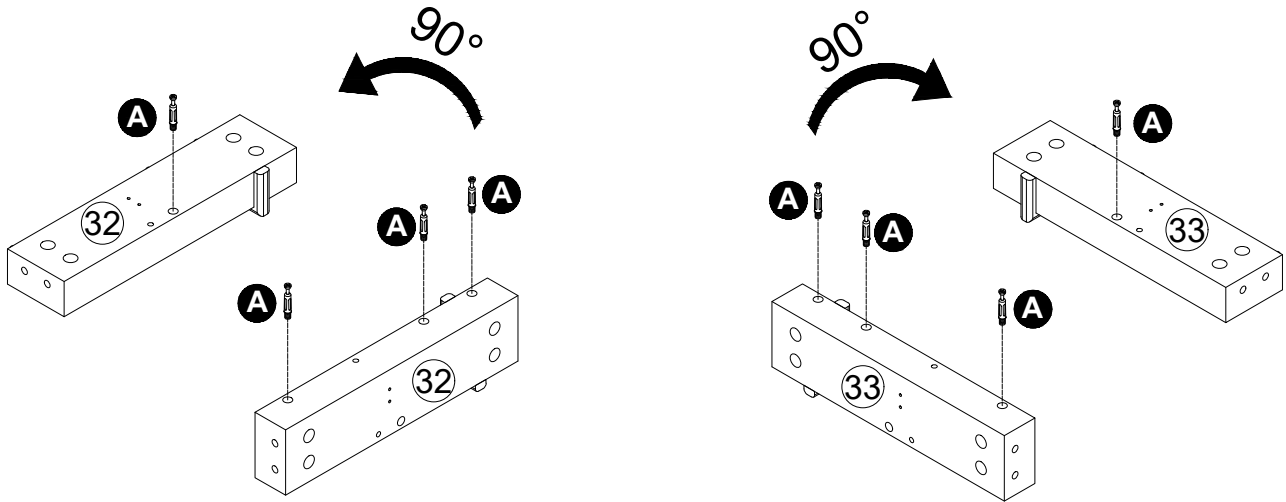
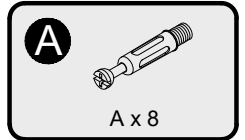


## Step 36

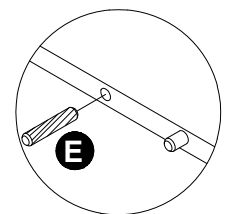
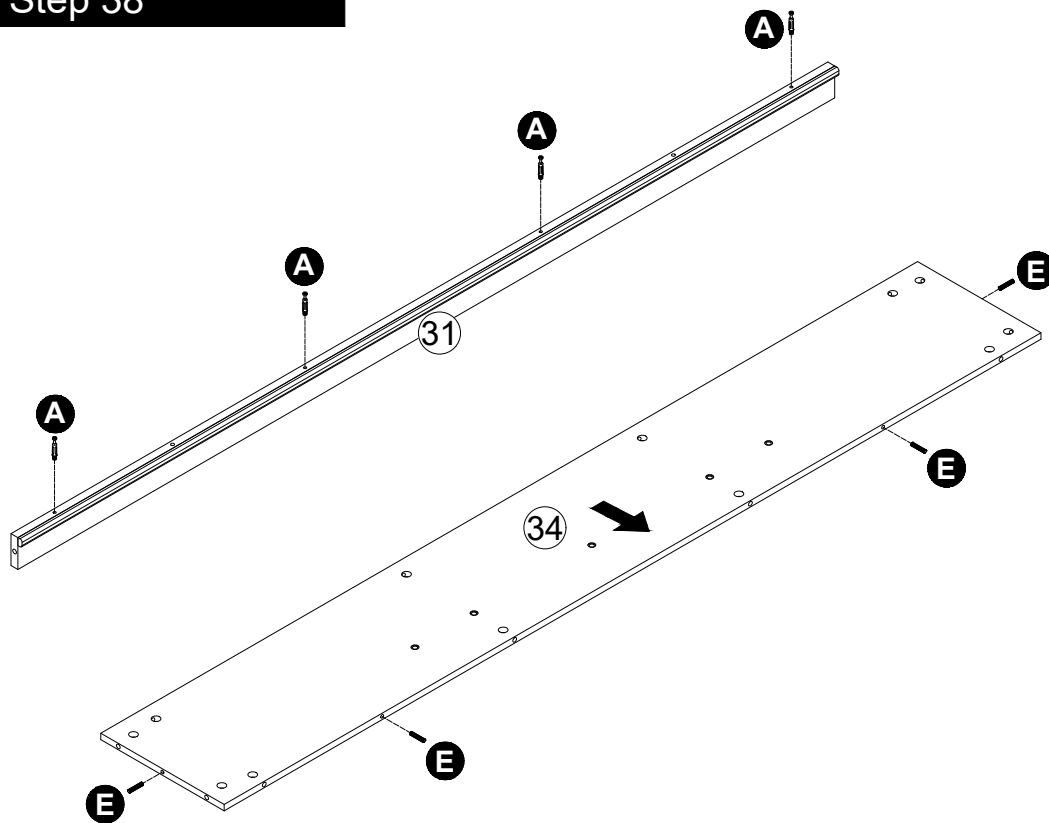
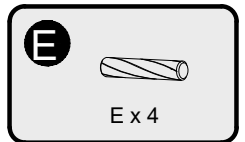
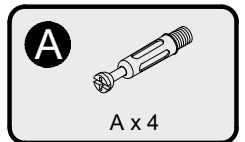


# Assembly Instructions

## Step 37



## Step 38



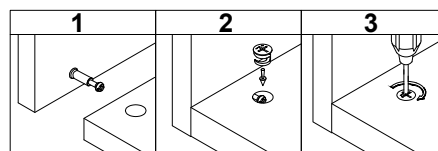
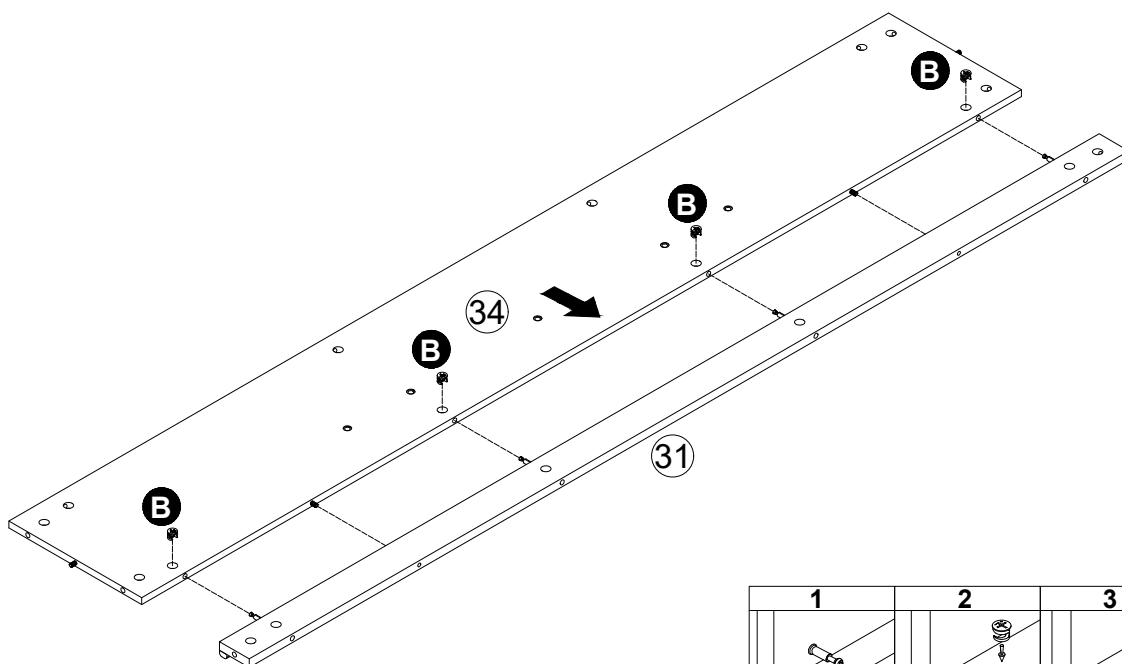
# Assembly Instructions

## Step 39

**B**



B x 4

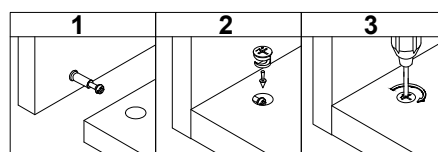
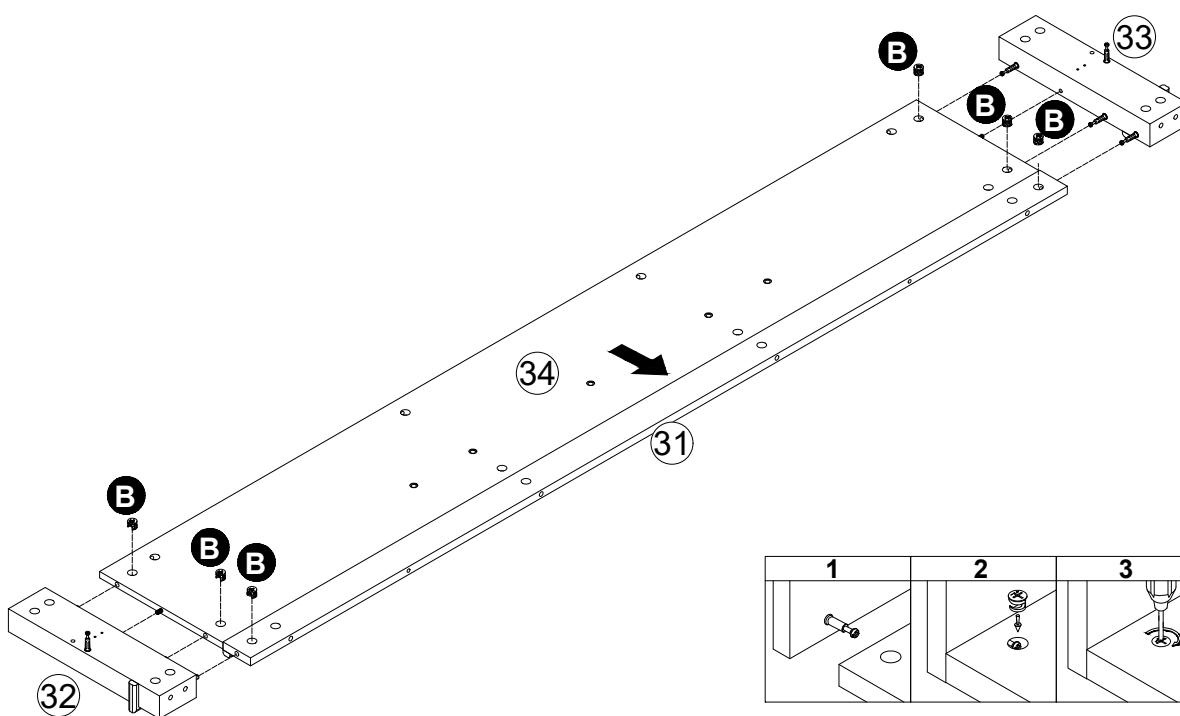


## Step 40

**B**



B x 6



# Assembly Instructions

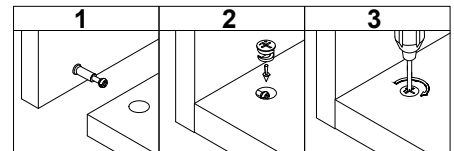
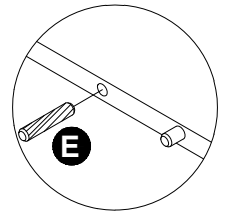
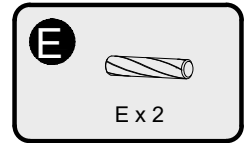
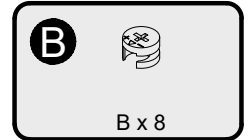
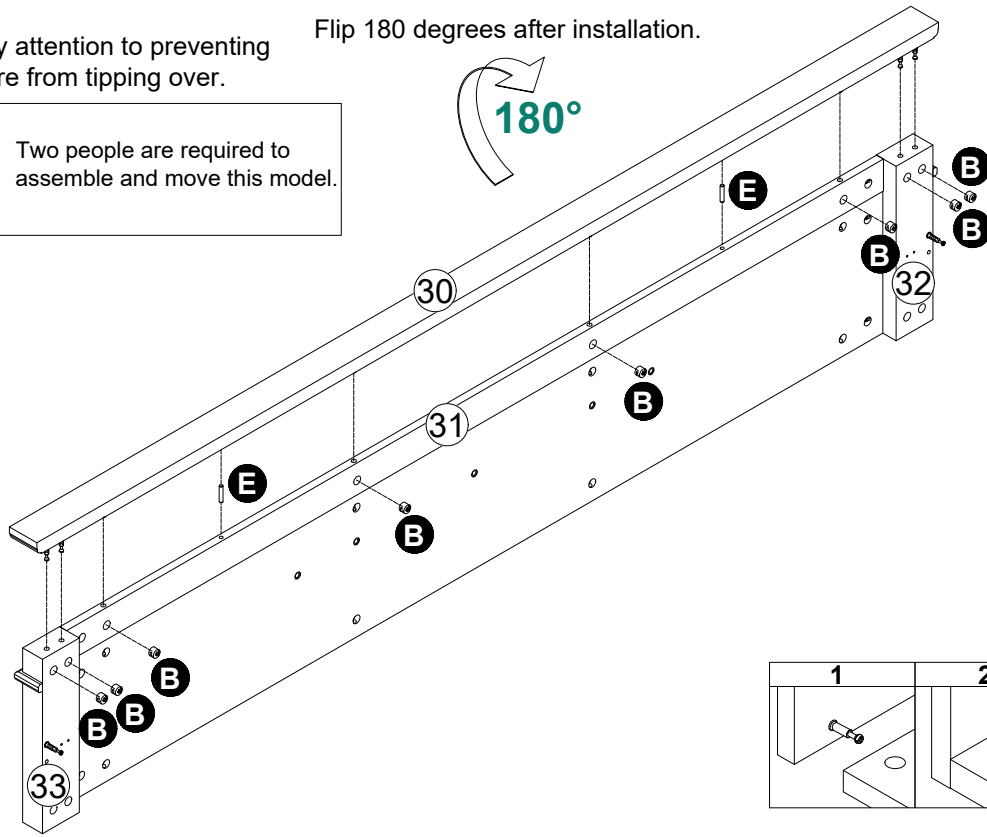
## Step 41

Please pay attention to preventing the furniture from tipping over.

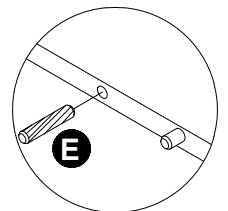
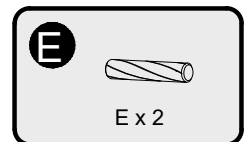
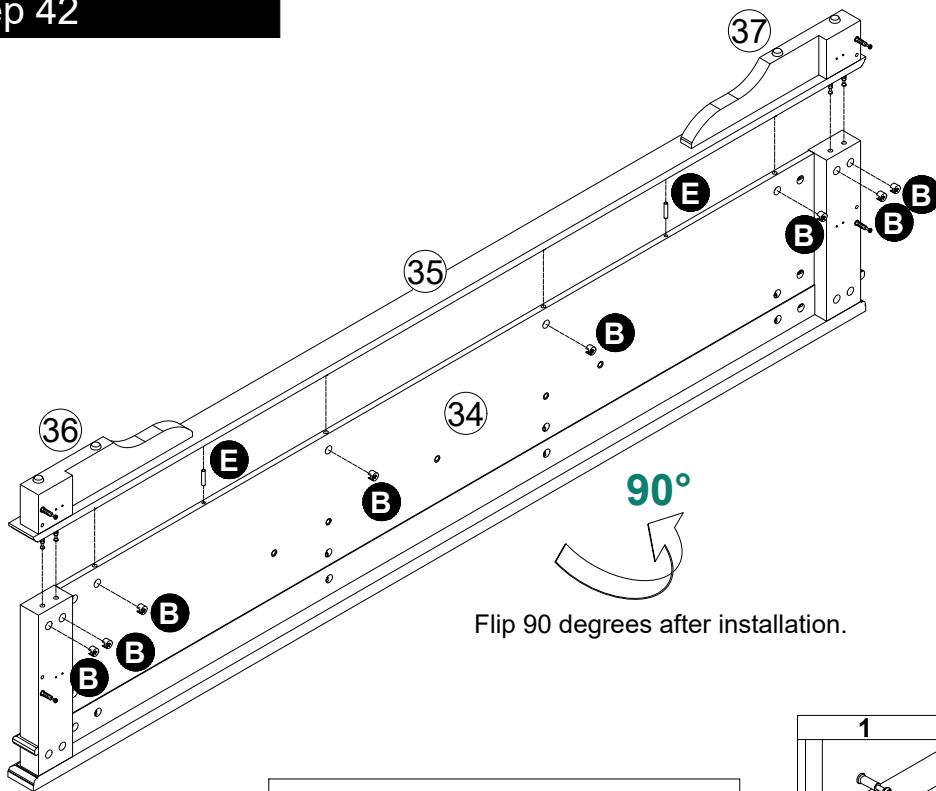
Flip 180 degrees after installation.



Two people are required to assemble and move this model.



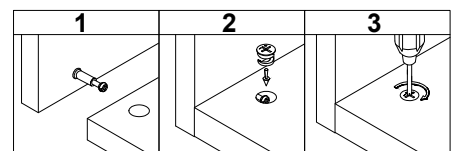
## Step 42



Flip 90 degrees after installation.

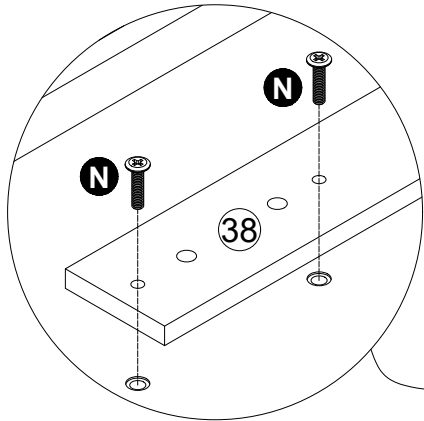
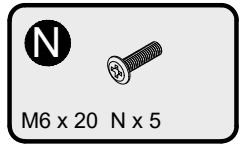


Two people are required to assemble and move this model.

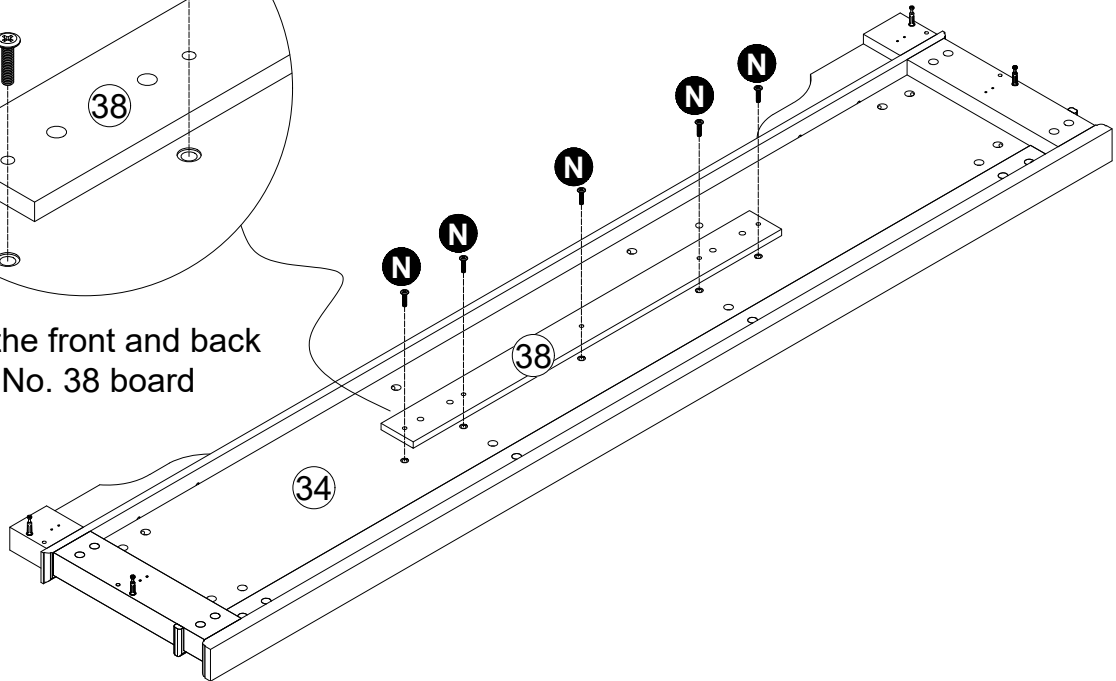


# Assembly Instructions

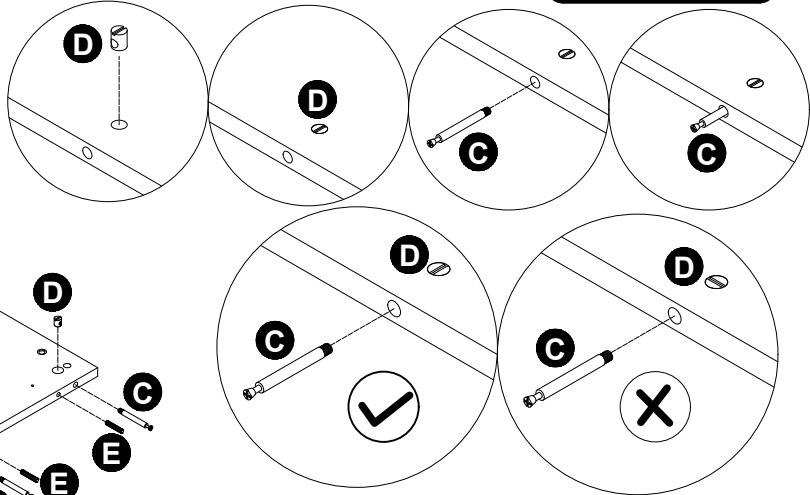
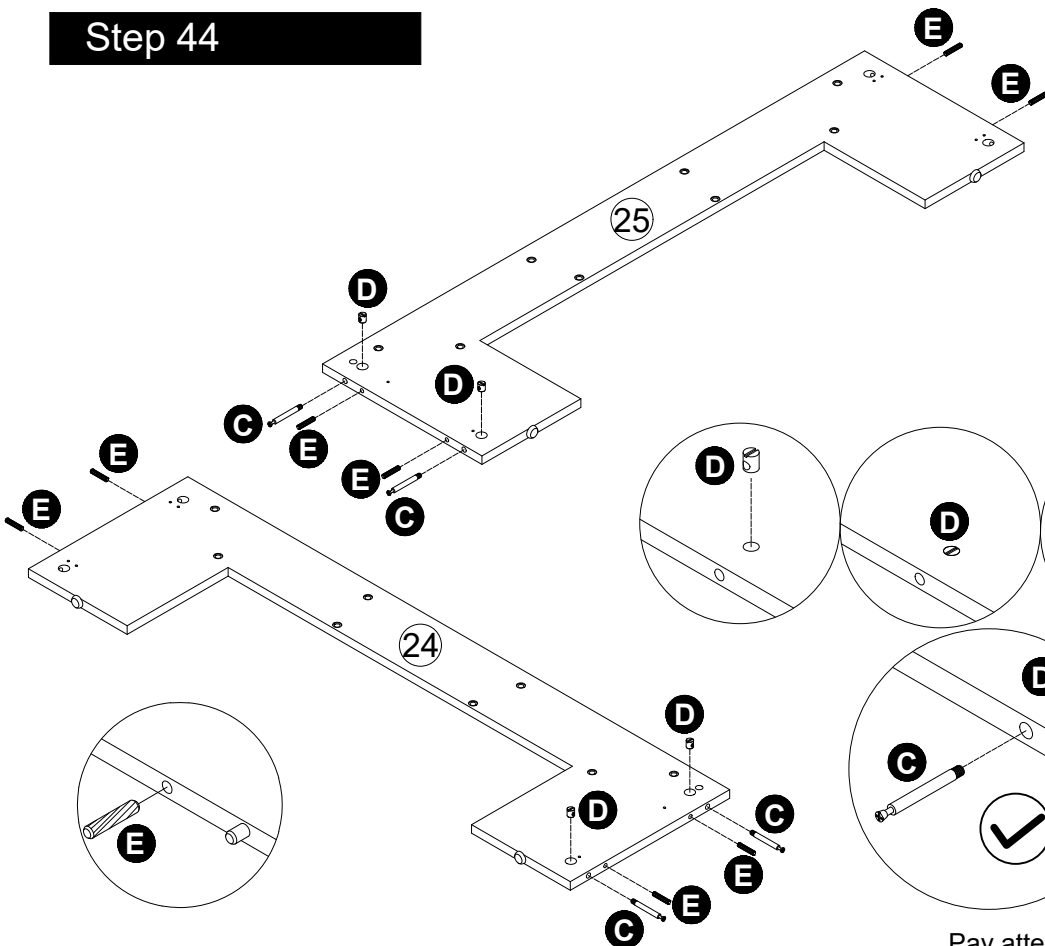
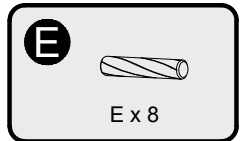
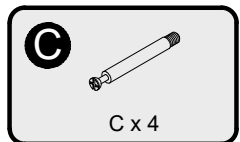
## Step 43



Distinguish the front and back sides of the No. 38 board



## Step 44



Pay attention to hardware I direction.

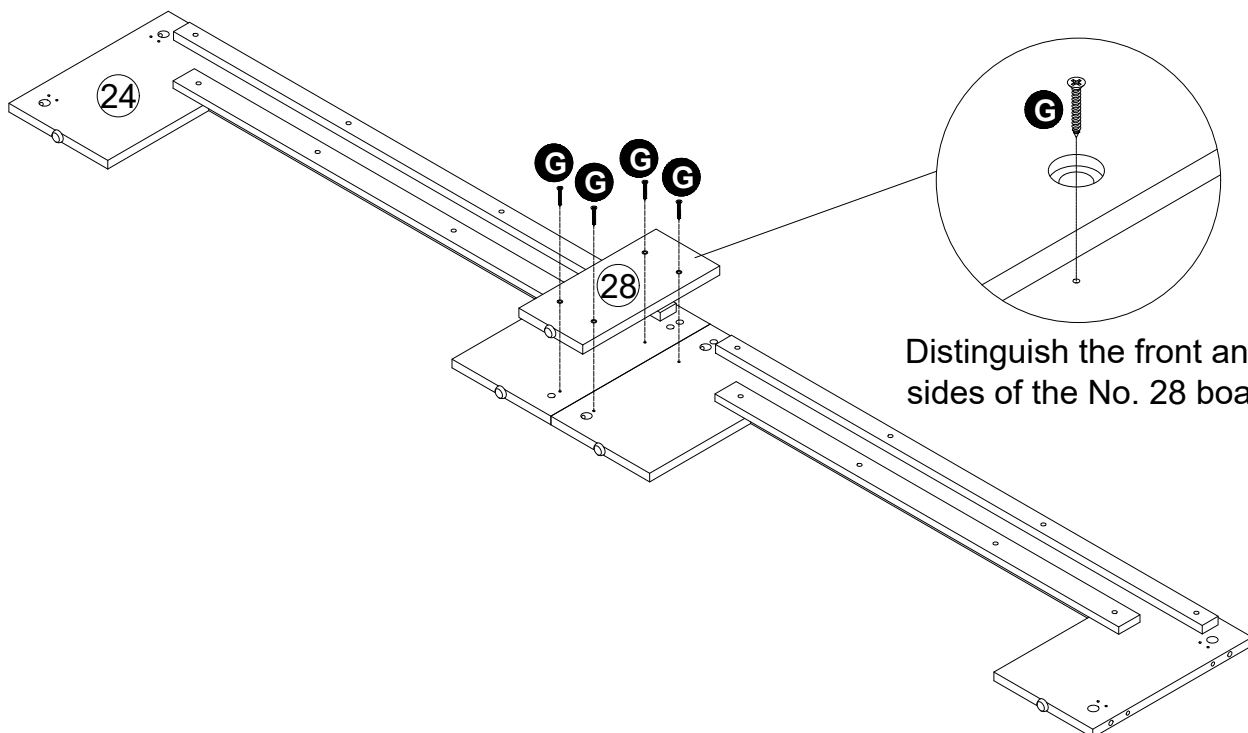


# Assembly Instructions

## Step 47



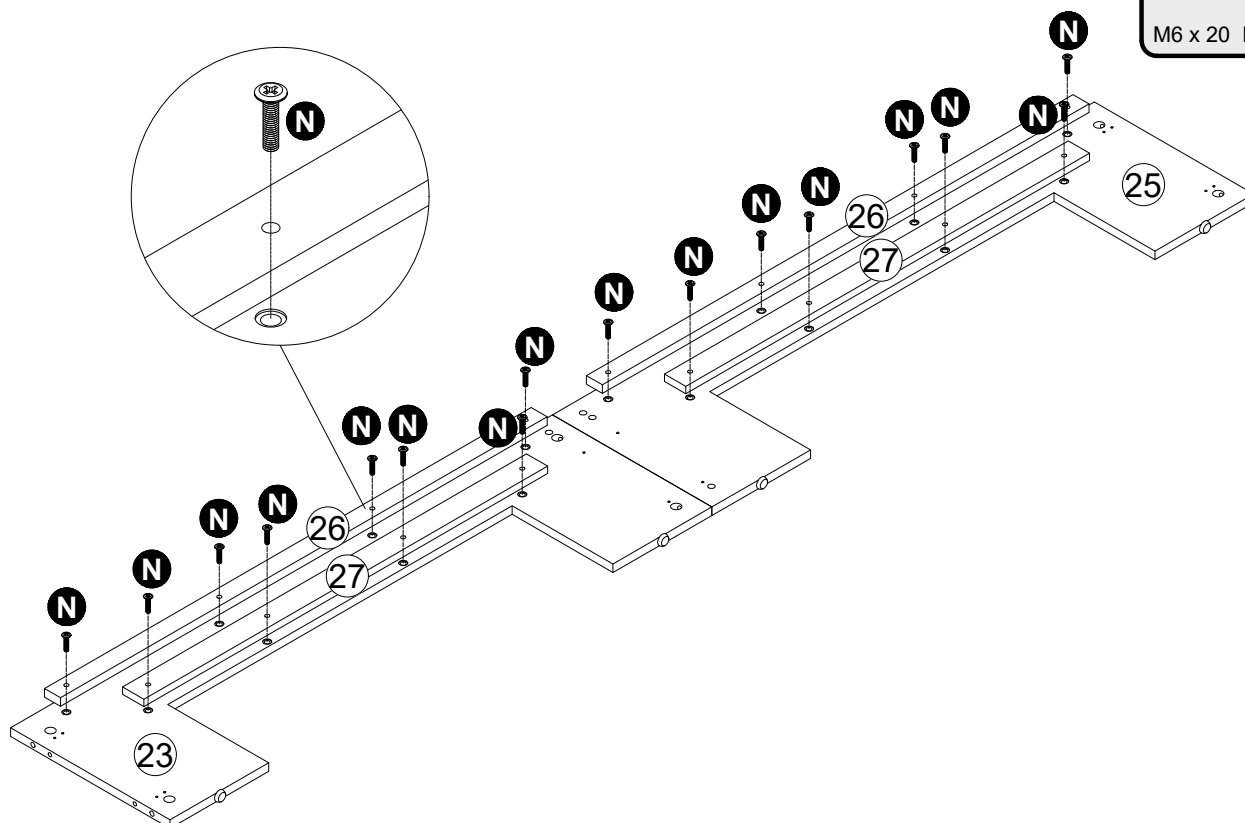
Ø4 x 20 G x 4



## Step 48



M6 x 20 N x 16

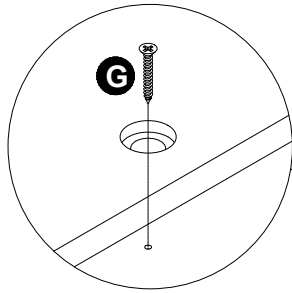


# Assembly Instructions

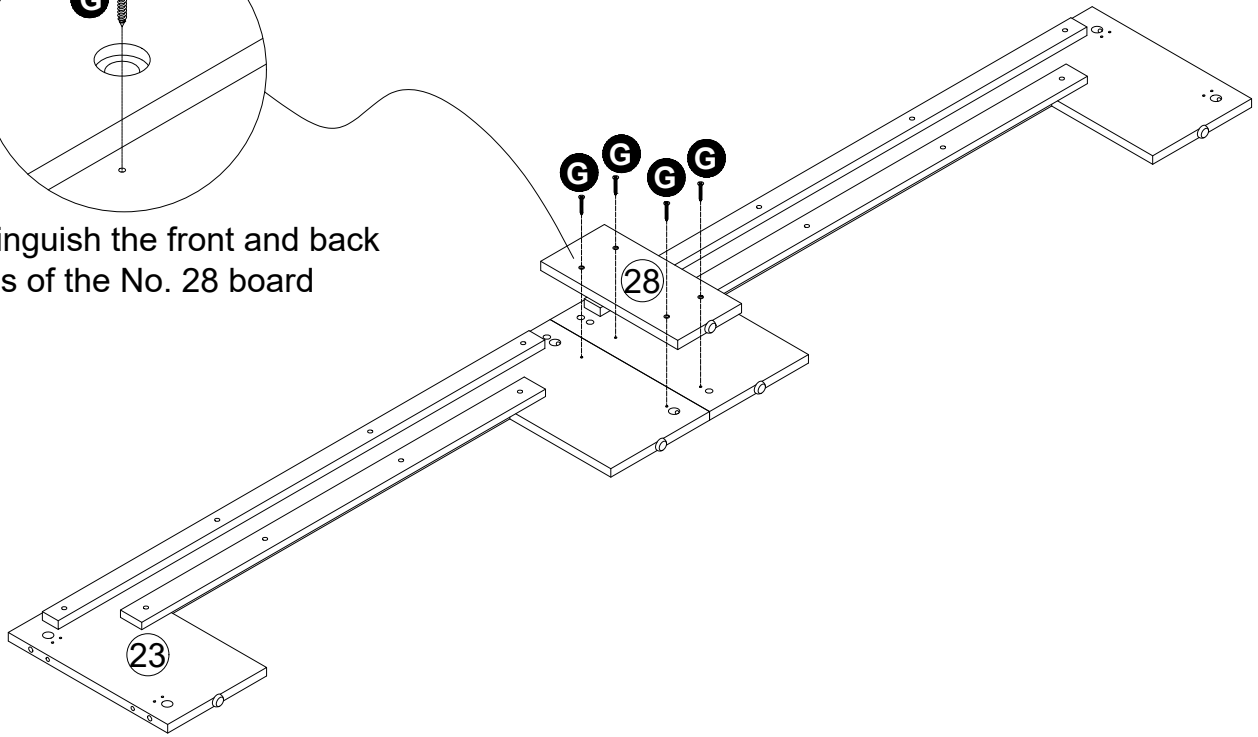
## Step 49



Ø4 x 20 G x 4



Distinguish the front and back sides of the No. 28 board



## Step 50



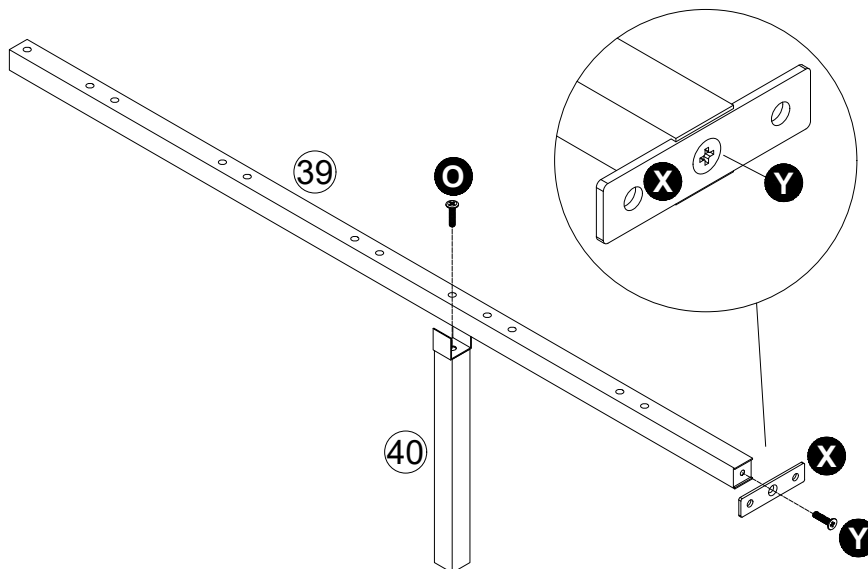
M6 x 35 O x 4



X x 4



M6 x 25 Y x 4

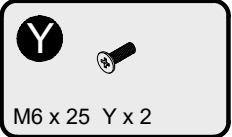
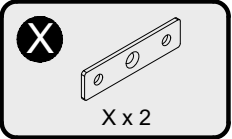
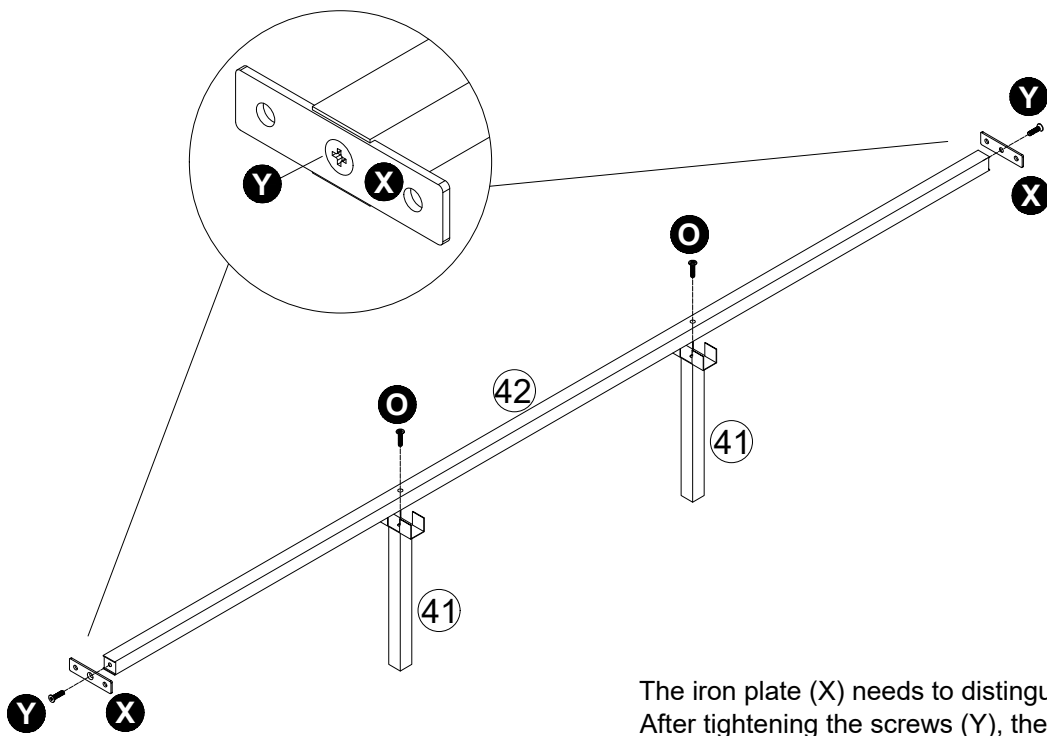


**X 4**

The iron plate (X) needs to distinguish between two surfaces.  
After tightening the screws (Y), the screw heads should be level with the iron plate.

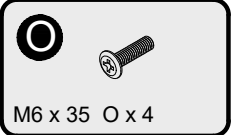
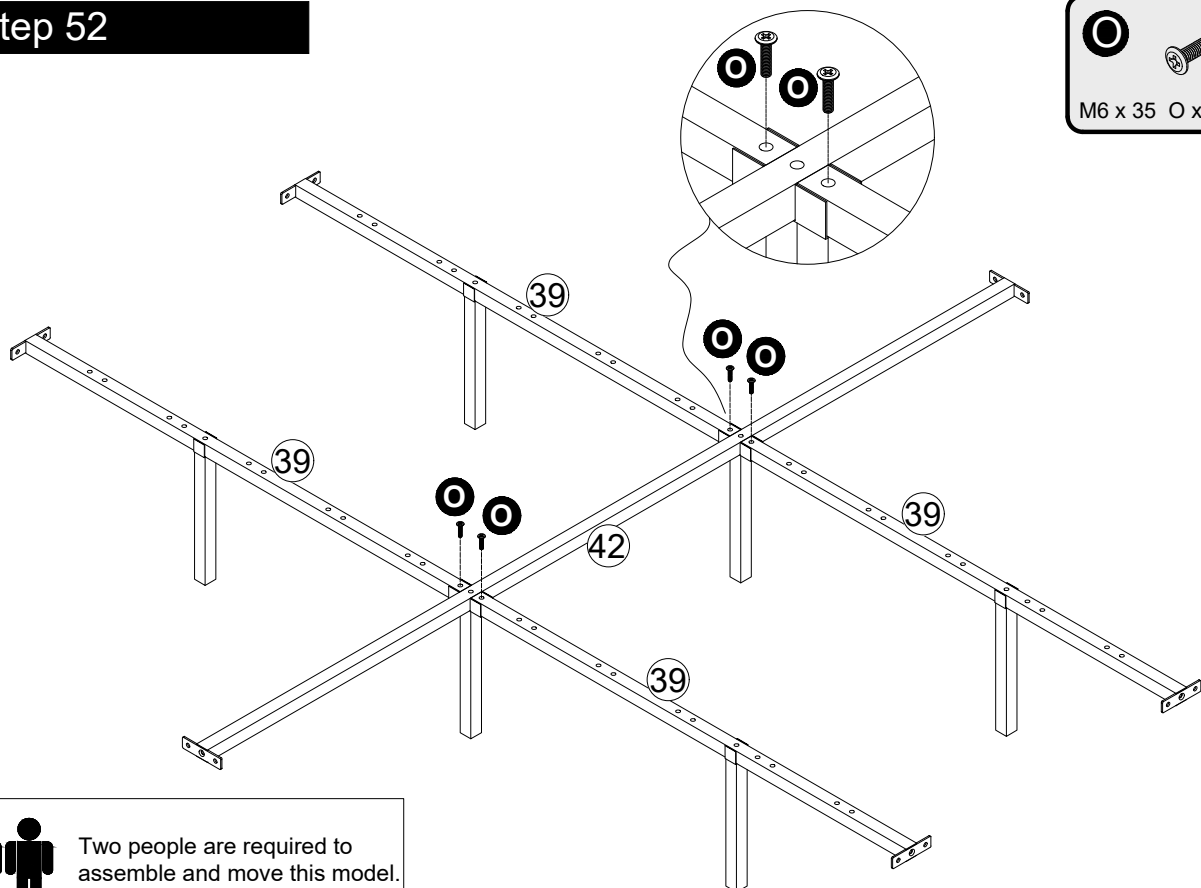
# Assembly Instructions

## Step 51



The iron plate (X) needs to distinguish between two surfaces. After tightening the screws (Y), the screw heads should be level with the iron plate.

## Step 52



Two people are required to assemble and move this model.

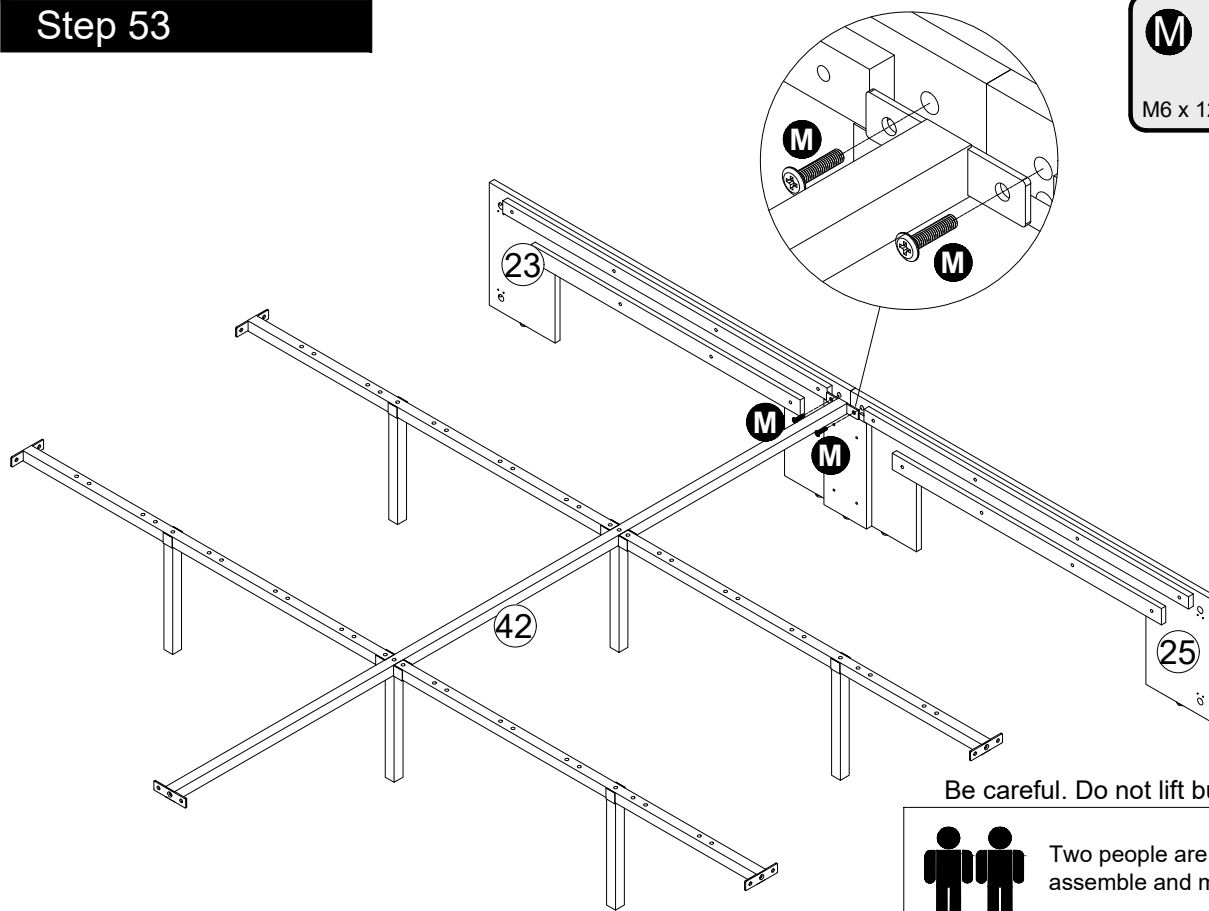
# Assembly Instructions

## Step 53

M



M6 x 12 M x 2



Be careful. Do not lift but only move.



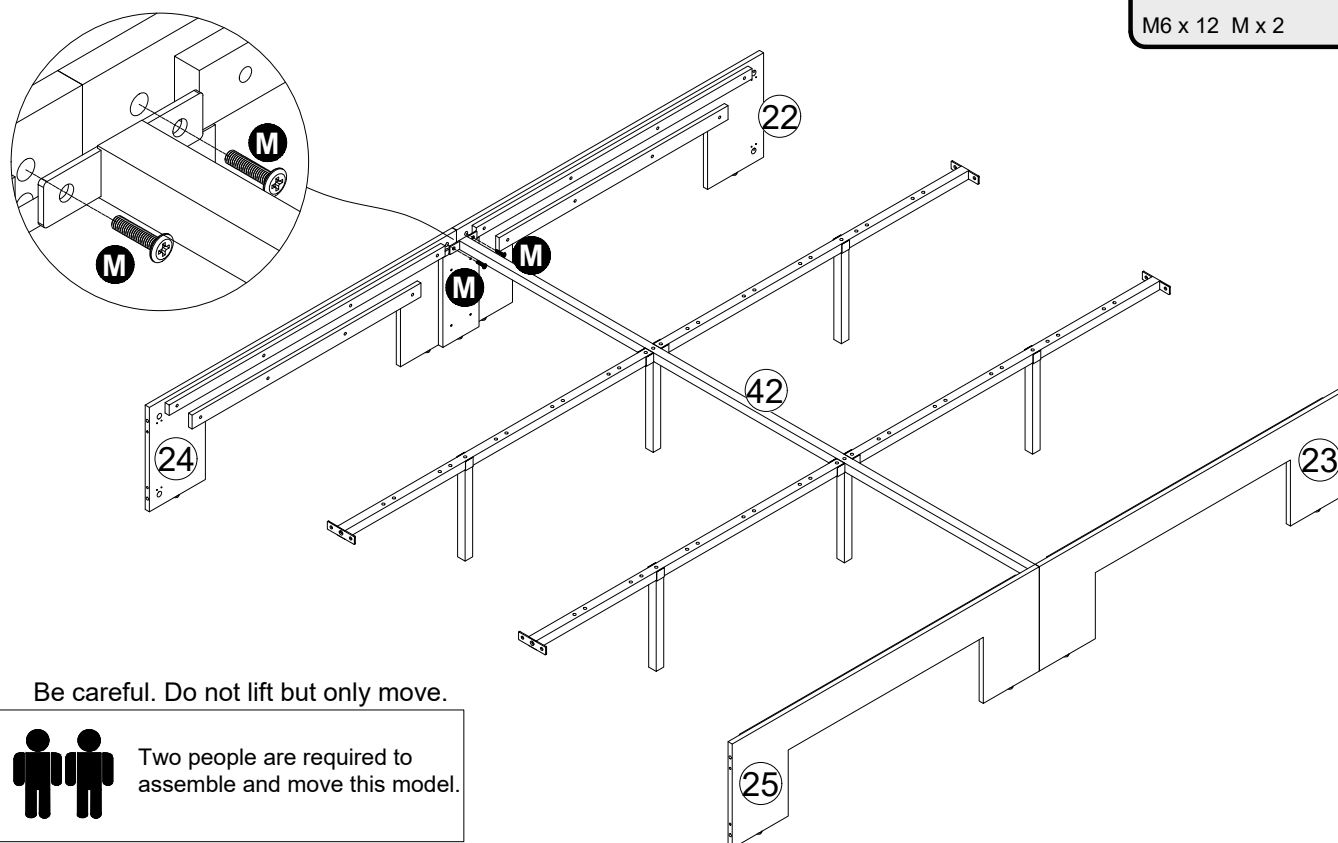
Two people are required to assemble and move this model.

## Step 54

M



M6 x 12 M x 2



Be careful. Do not lift but only move.

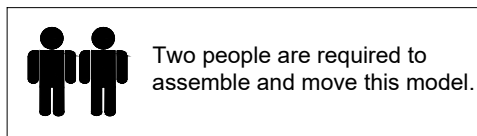
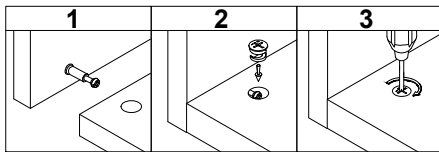
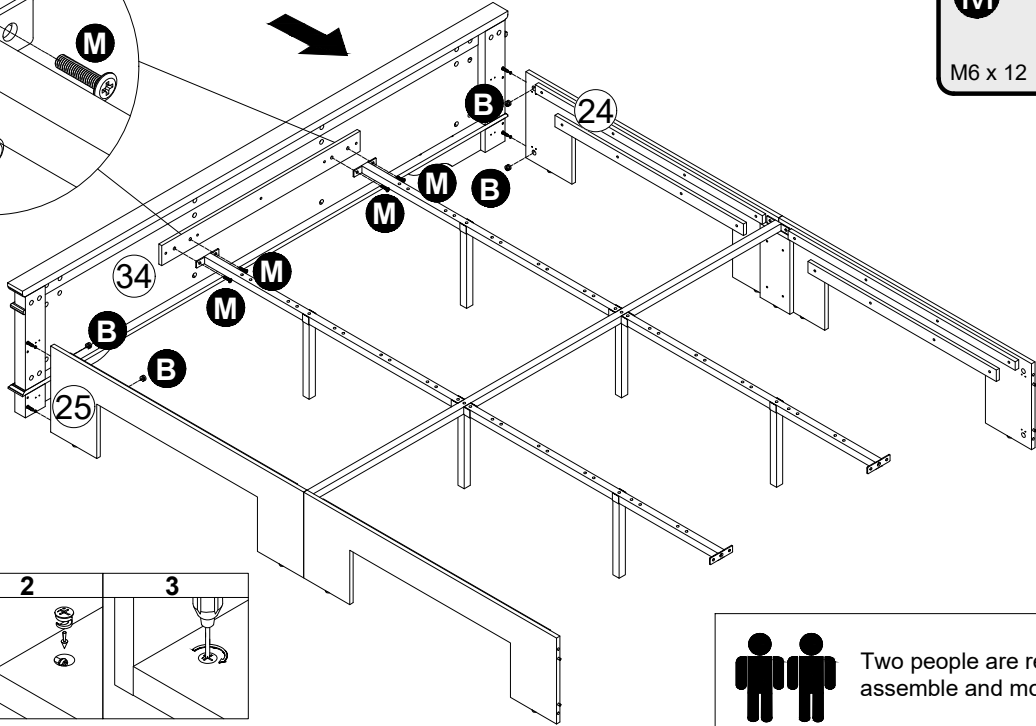
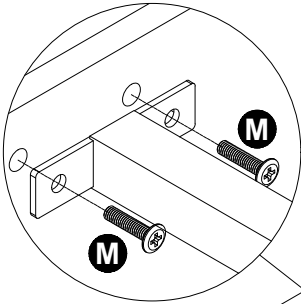
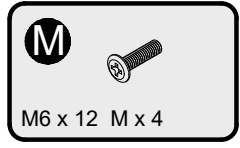
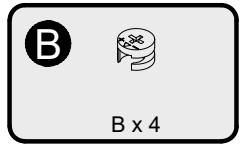


Two people are required to assemble and move this model.

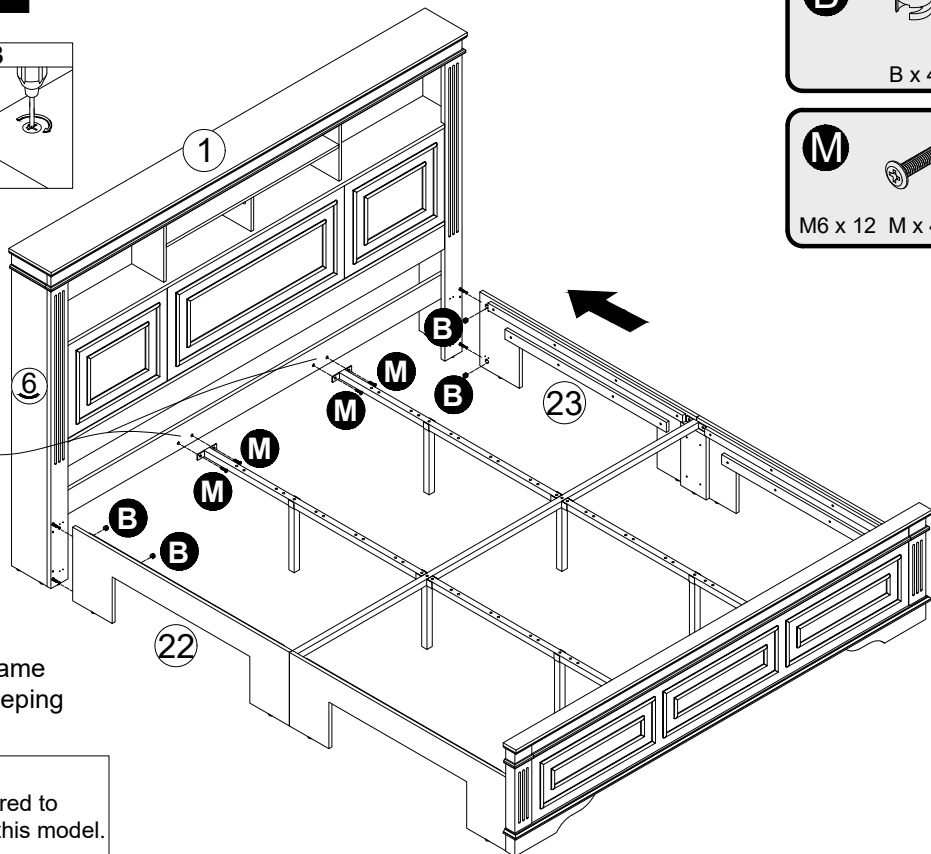
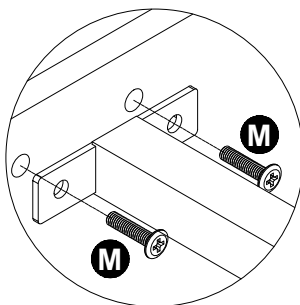
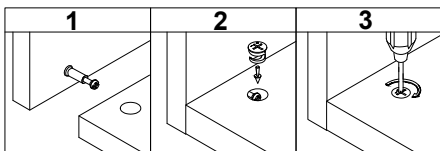
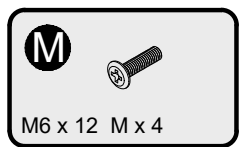
# Assembly Instructions

## Step 55

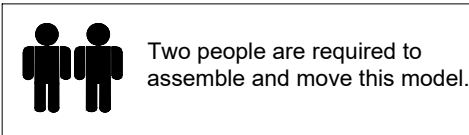
Pay attention to moving the bed end for installation while keeping the bed frame stationary.



## Step 56

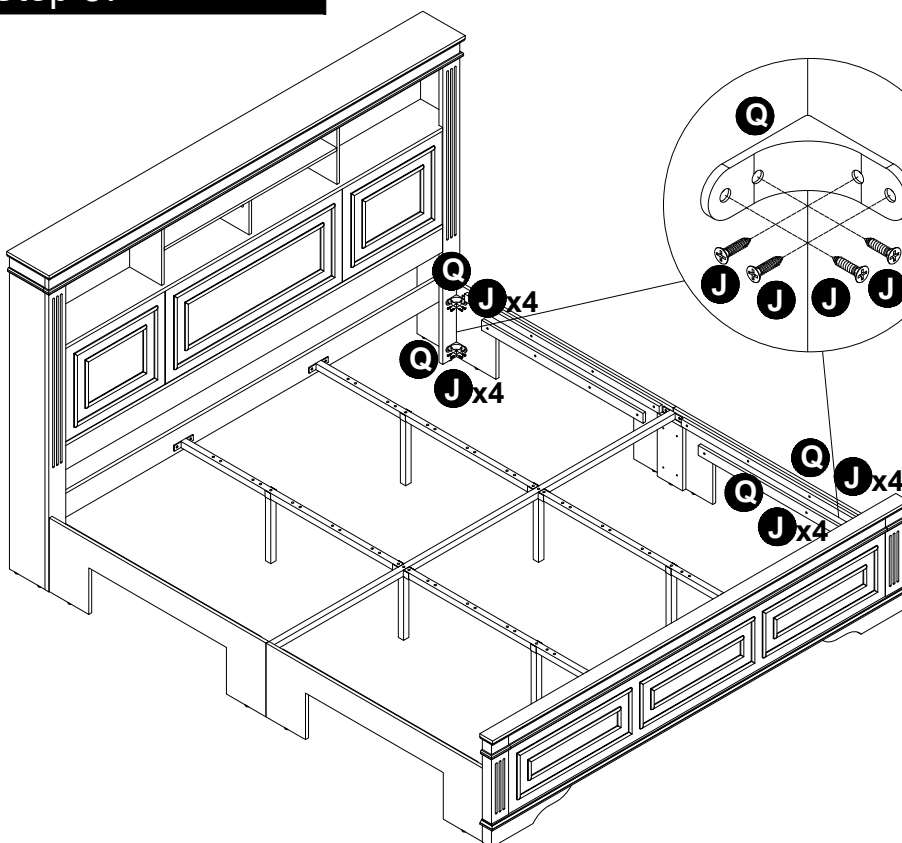


Be sure to move the bed frame during installation, while keeping the bed head stationary.



# Assembly Instructions

## Step 57

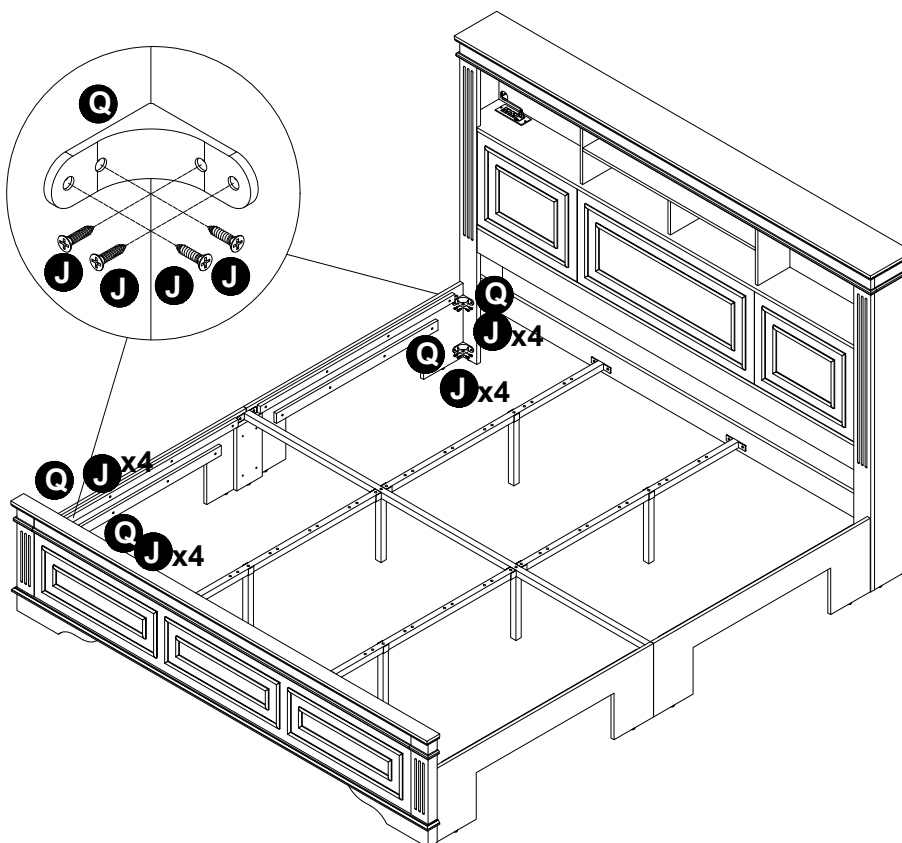


J x 16



Q x 4

## Step 58



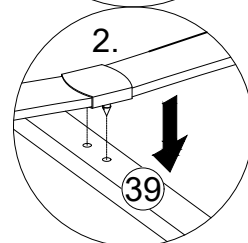
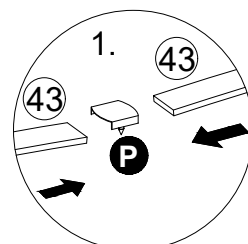
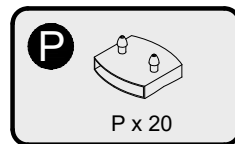
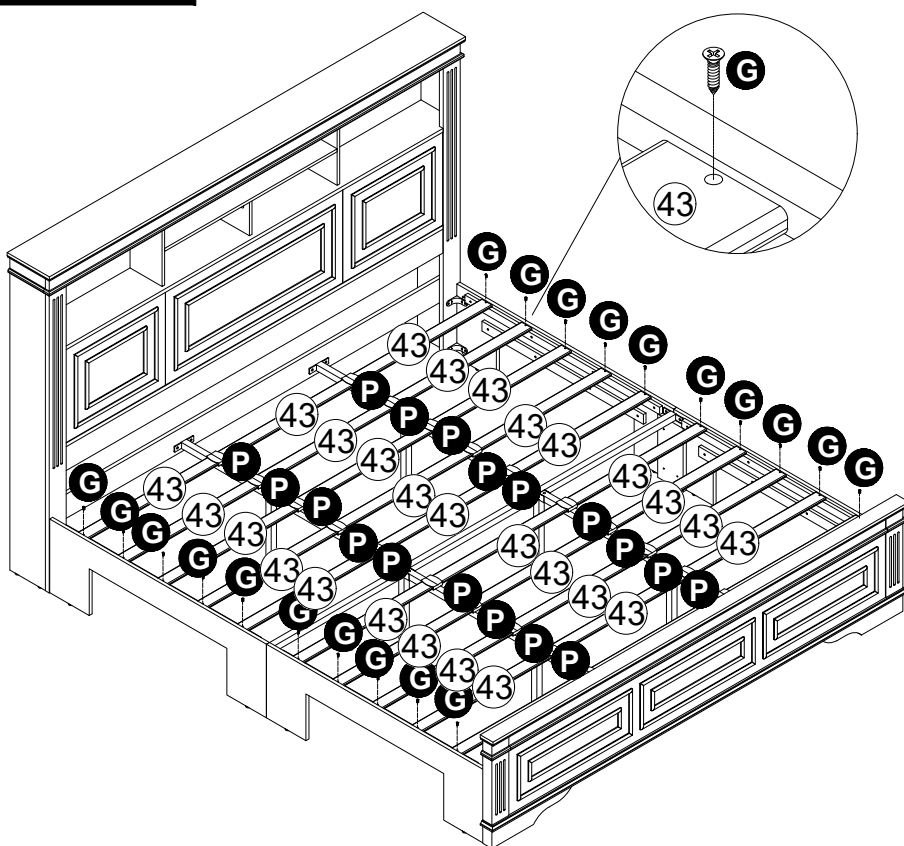
J x 16



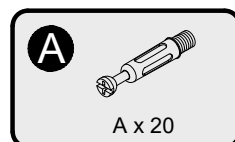
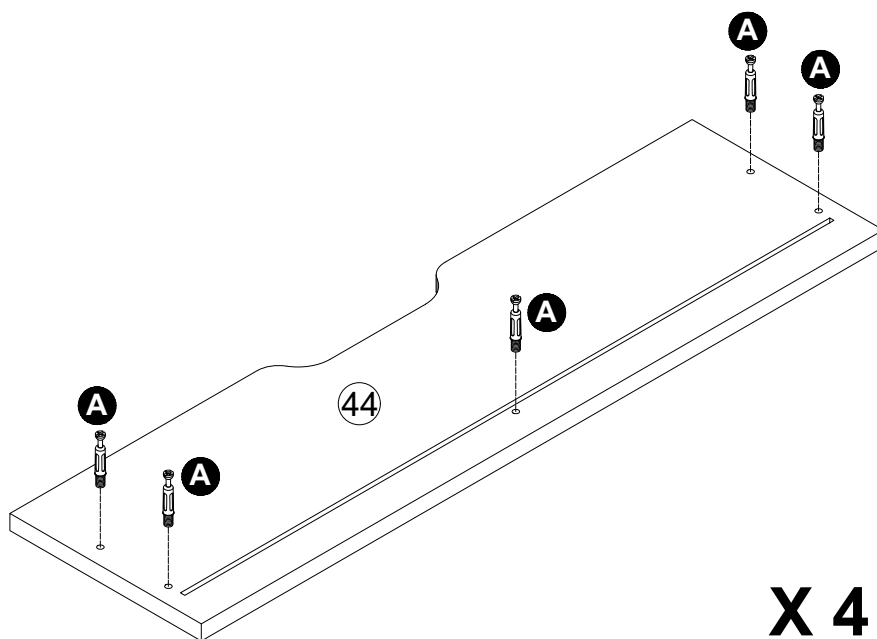
Q x 4

# Assembly Instructions

## Step 59



## Step 60

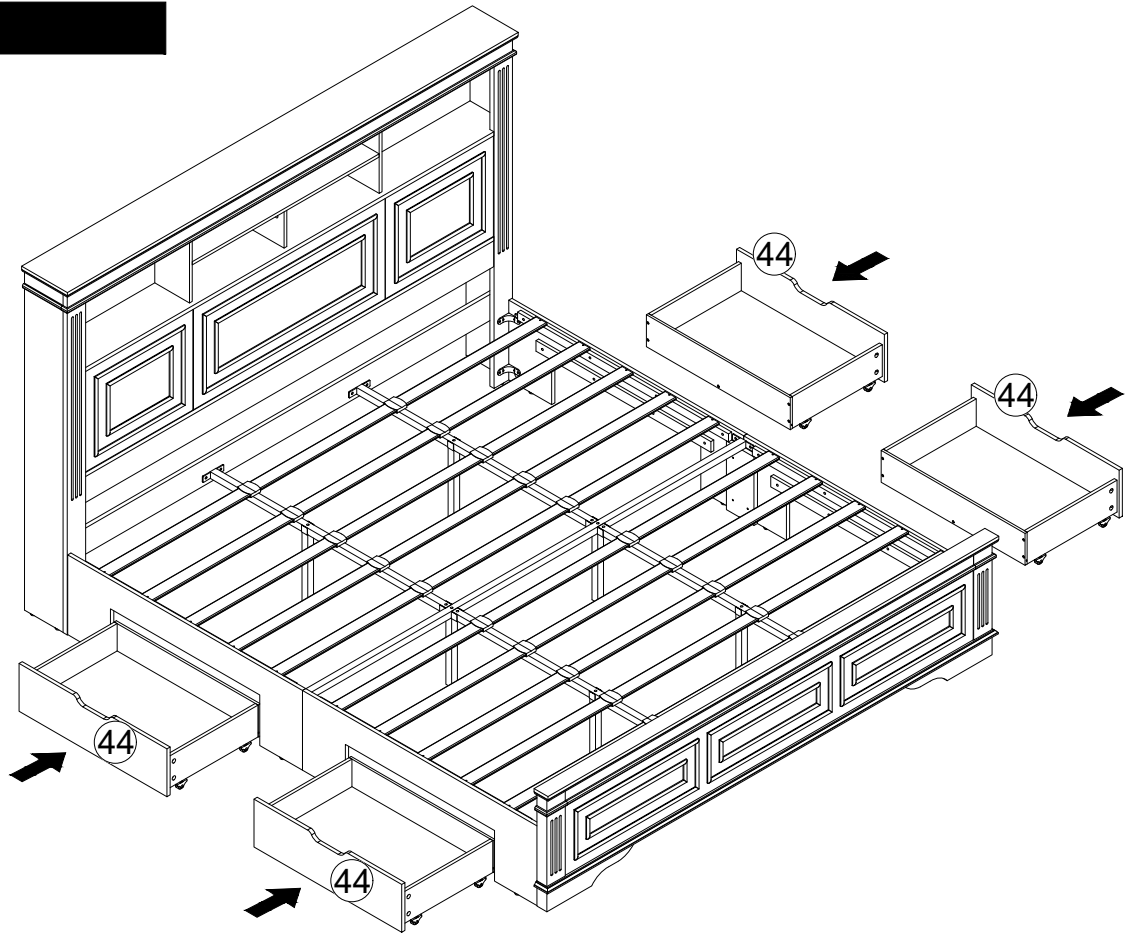




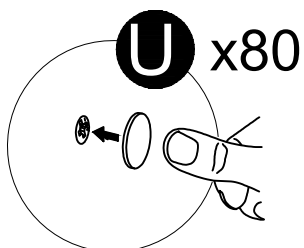
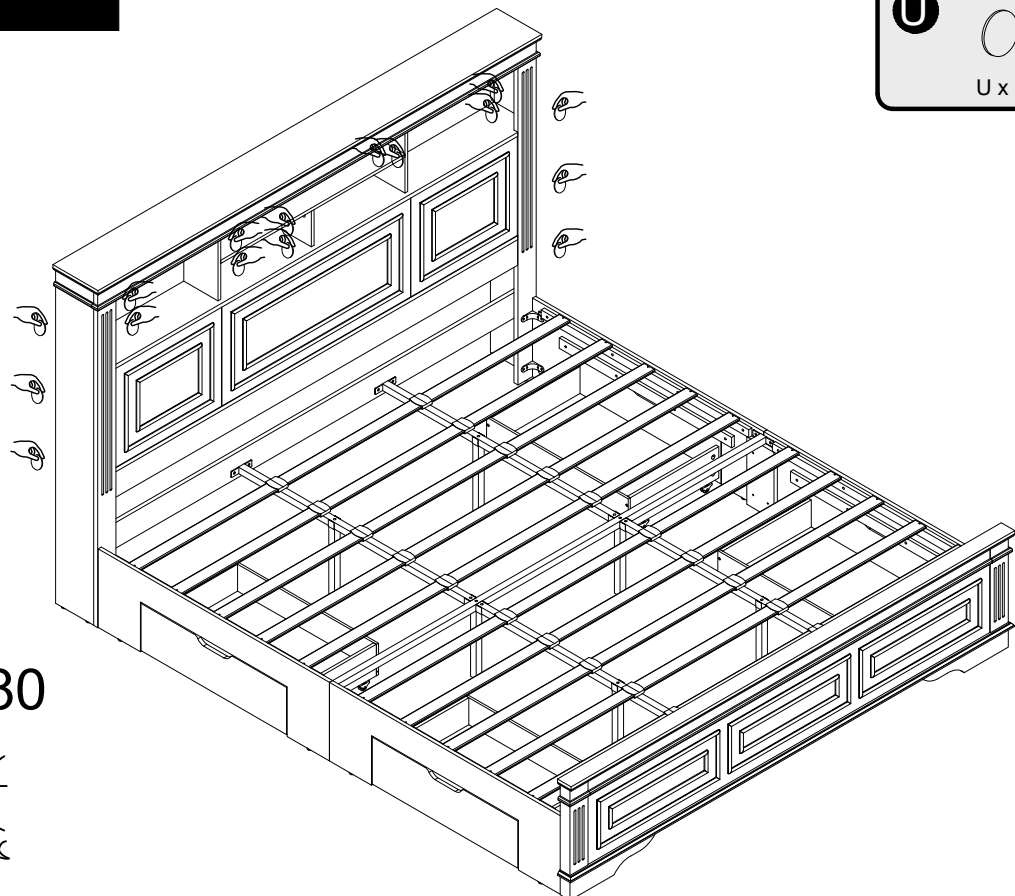
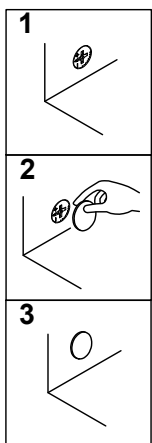
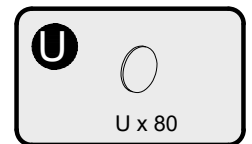


# Assembly Instructions

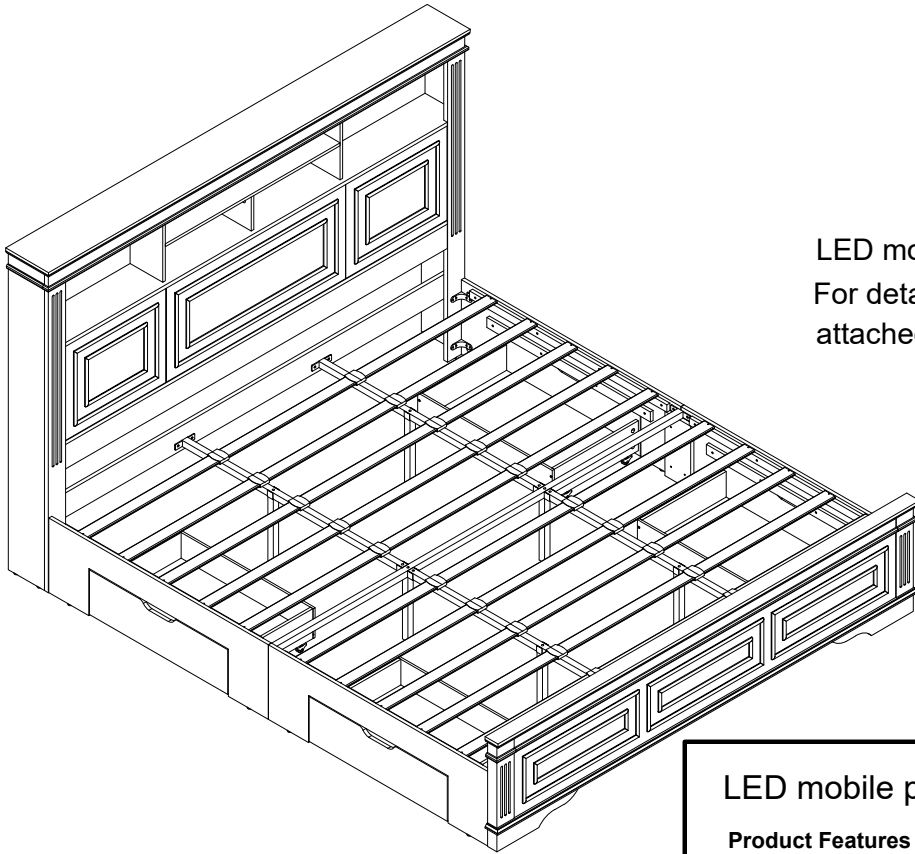
## Step 65



## Step 66



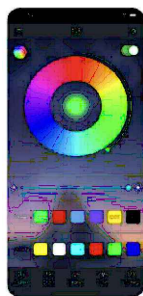
# Assembly Instructions



LED mobile phone Bluetooth controller  
For details, please see the  
attached below manual

## LED mobile phone Bluetooth controller

1. Connect LED color strip and controller,  
power on controller
2. Download APP:



3. Start APP, search and connect controller
4. Enjoy the Bluetooth wireless control experience

## LED mobile phone Bluetooth controller

### Product Features

.LED Bluetooth controller is directly via mobile phone control  
remote distance can reach 10m without the need to set up, easy to  
connect open the software within 5 seconds you can automatically  
connect the controller

.Flow the rhythm of the music changes

.Group control

.Brightness, speed addition and subtraction

.Maximum can be 5 meters RGB(W) strip

.The software shows that the text is based on the language of the  
mobile phone set up automatic transformation of Chinese and  
English

### Animation Effect:

.Colorful gradient

.All kinds of monochrome , double color gradient

.All kinds of monochrome, double color , colorfull flashing

.Colorful jump

.Follow the thythm of the music chagnes

### Product Paramters:

.Bluetooth: BLE V4 .2

.Input Voltage: 4.5-26V

.Working Temp: -25- 75°C