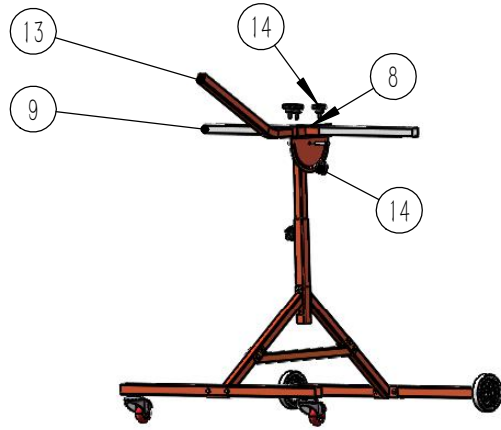


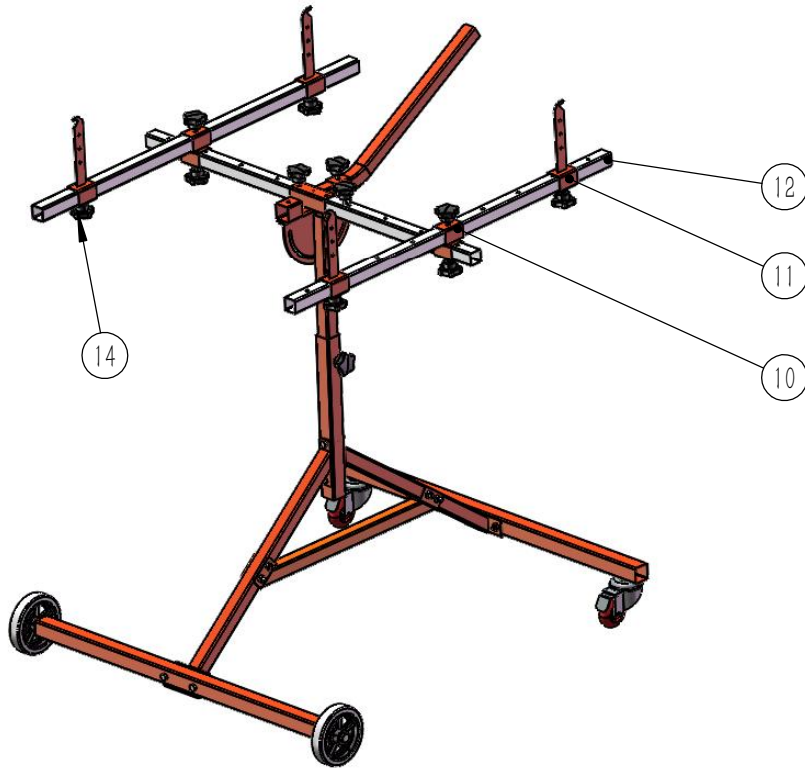
# Product assembly instruction manual



3: Install the upper component according to the diagram, pay attention to bolt lock;



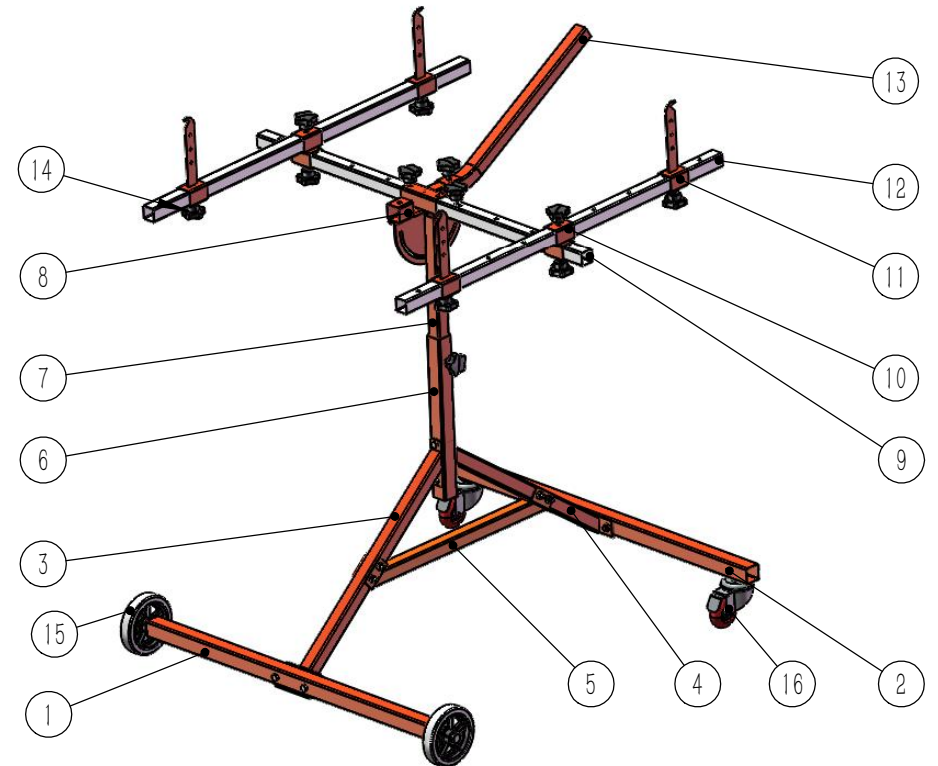
4: Install the paint hook, product assembly is completed.

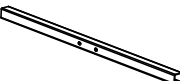


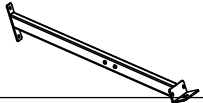



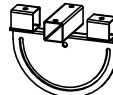




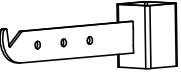





## 1: Product introduction and display

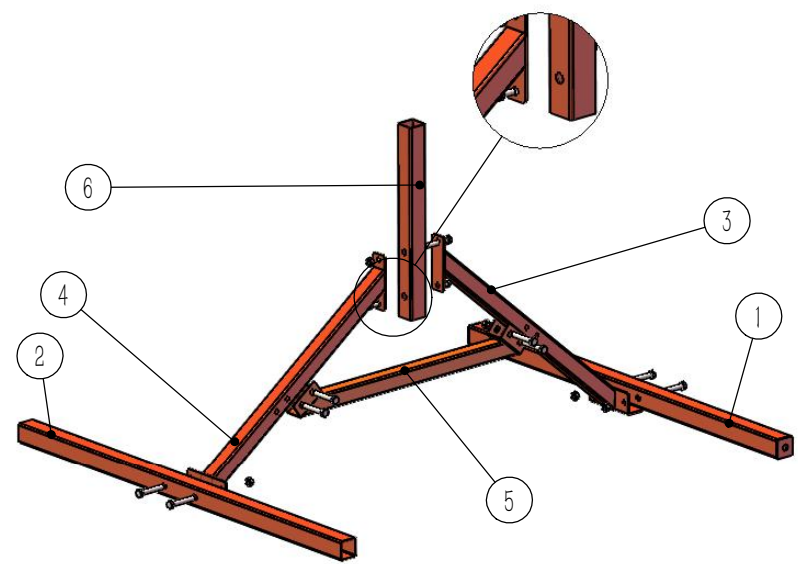


This product is used for painting, spraying small accessories device, when you can be free to place and move according to your needs.



| NO. | Module  | Quantity |
|-----|---|----------|
| 1   |   | 1 PCS    |
| 2   |  | 1 pcs    |
| 3   |  | 1 pcs    |
| 4   |  | 1 pcs    |
| 5   |  | 1 pcs    |
| 6   |  | 1 pcs    |
| 7   |  | 1 pcs    |
| 8   |  | 1 pcs    |

| NO. | Module  | Quantity |
|-----|---|----------|
| 9   |   | 1 PCS    |
| 10  |  | 2 pcs    |
| 11  |  | 4 pcs    |
| 12  |  | 2 pcs    |
| 13  |  | 1 pcs    |
| 14  |  | 12 pcs   |
| 15  |  | 2 pcs    |
| 16  |  | 2 pcs    |



2: Assemble the components on the other side in the same way as in step 1, and then assemble the corresponding accessories according to the diagram in turn; Pay attention to the installation according to their own needs to determine the length of the product, and then lock all bolts;

Note: Unpack, please check whether the product accessories are complete according to the instructions. The accessories package will provide you with some more accessories, so that you can replace the accessories when they are lost or damaged during the use of your product.

## 2: Product assembly steps and instructions

1: Assemble and install the corresponding accessories according to the figure below

