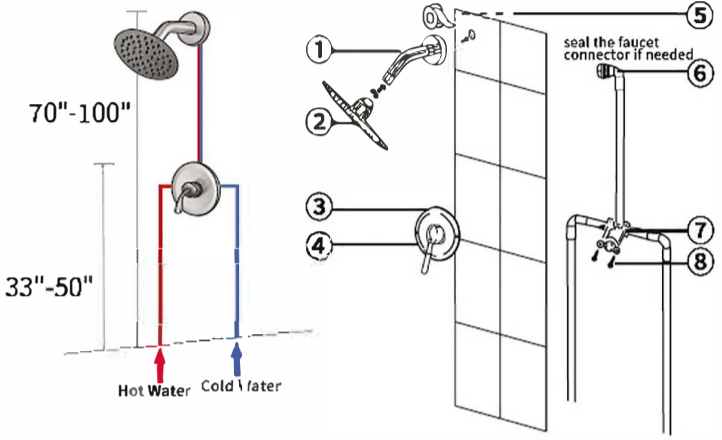










## 21.5X14.3 正面

### The Installation Guide

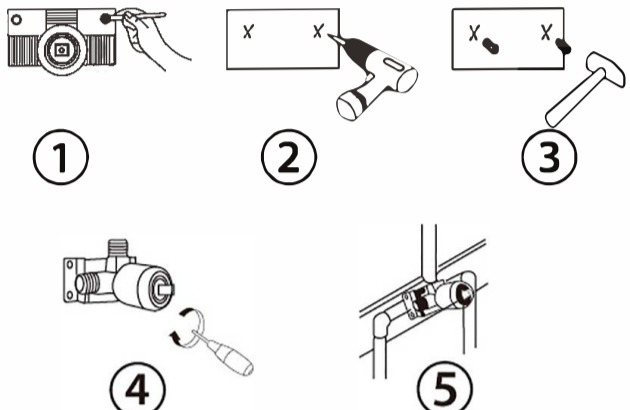


70"-100"  
33"-50"  
Hot Water Cold Water

1 seal the faucet connector if needed  
2  
3  
4  
5  
6  
7  
8

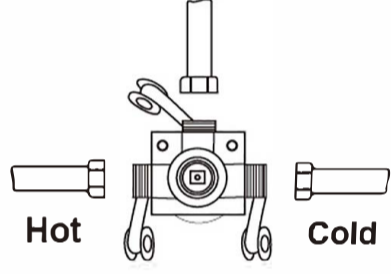
Pckage List	S/N	Description	No.s
	1	Shower arm and cover plate	1
	2	6" shower head	1
	3	Front-panel	1
	4	Faucet handle	1
	5	Teflon tape	1
	6	1/2 connector seal	1
	7	Shower valve	1
	8	Screws	4

1. the installation steps for reference



1 2 3  
4 5

2. Connecting the inlet and outlet pipe with the valve body

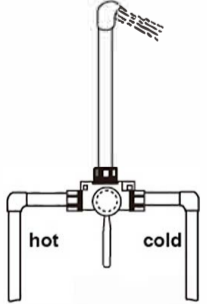


Hot Cold

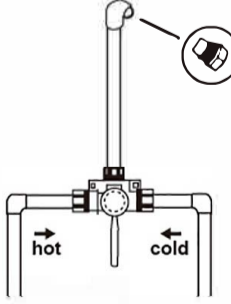
## 21.5X14.3 背面

3. Test work (Very Important)  
Check the water pressure and water temperature to prevent blockage and leakage.

- 1) Before the test work, remove the protective plastic cap and simply install the handle.
- 2) During the test, open the water supply system, flush the two outlet pipes by operating the handle, and test whether the water pressure is appropriate.  
Operating the handle to close the water and test for pressure resistance and tightness to ensure no leaks.
- 3) After the test is completed, plug all the pipe outlets with a plastic stopper and open the faucet.  
Check the connection of the upper and lower outlets of the outlet pipe for tightness and line pressure. Make sure there are no leaks.

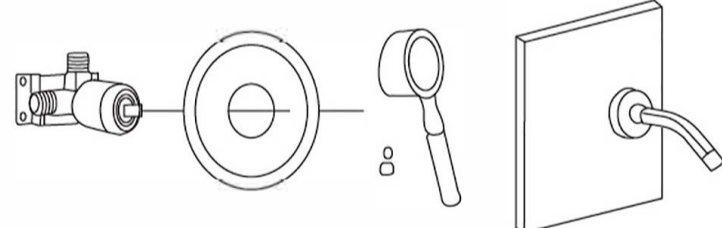


2)

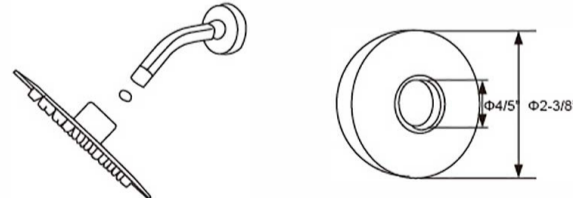


3)

4. Install the panel, handle, and shower arm in sequence.



5. Install the shower head.  
Pay attention about the rubber o'ring, it prevent the leakage of the shower head, there is no necessary to use teflon tape here.



6. Finished.

