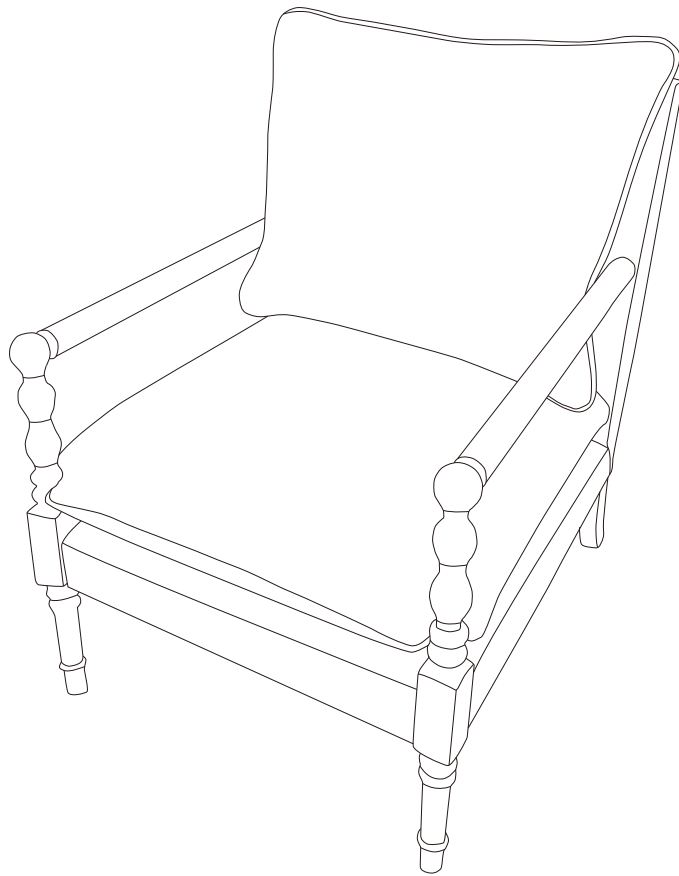
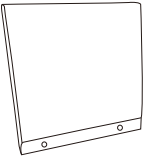
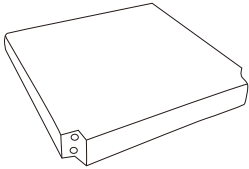
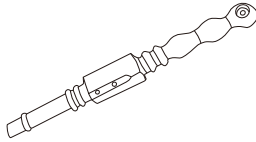
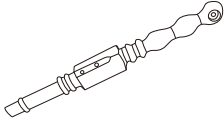


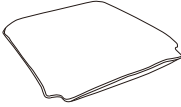




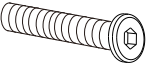
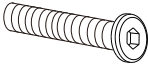
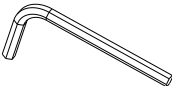
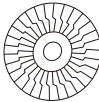
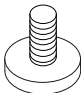

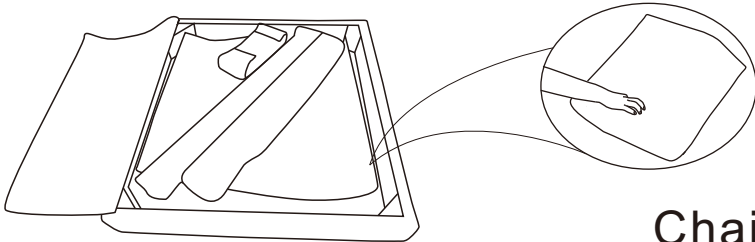
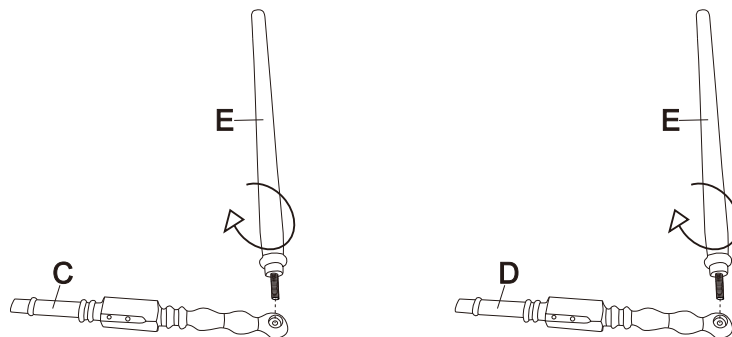


# Assembly Instructions

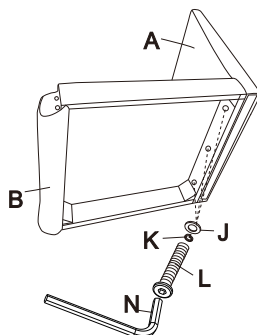


PARTS CHECKLIST

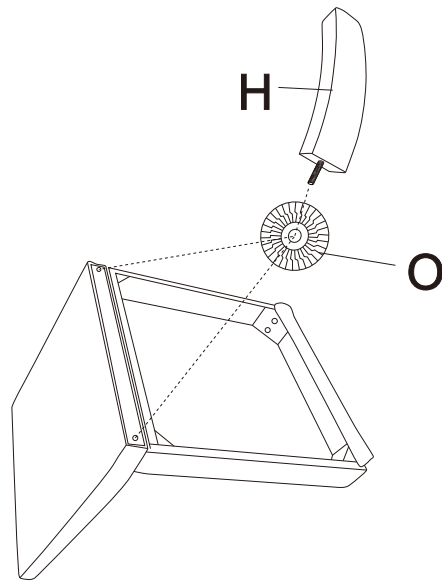
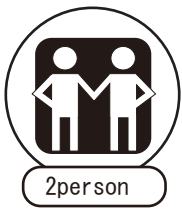
					
Ax1PC	Bx1PC	Cx1PC	Dx1PC	Ex2PCS	
					
Fx1PC	Gx1PC	Hx4PCS	8*14*1 Ix2PCS	8*22*1.5 Jx7PC	M8 Kx7PCS
					
M8*60 Lx7PCS	M8*70 Mx2PCS	Nx1PC	Ox2PCS	Px2PCS	Qx2PCS
 <p><b>Chair parts inside!</b></p>					



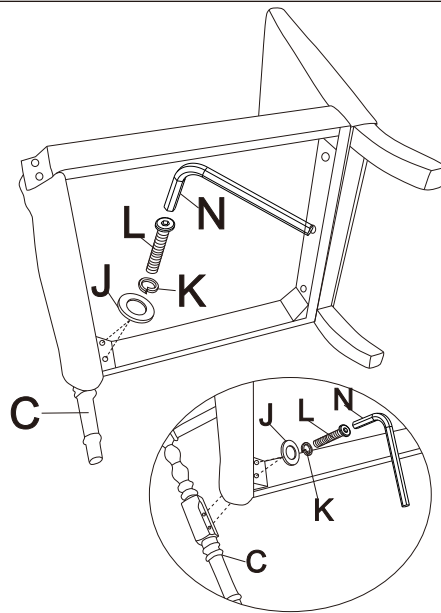
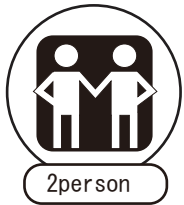
Step 1: Assemble the armrest [E] to leg [C,D] by 100%.



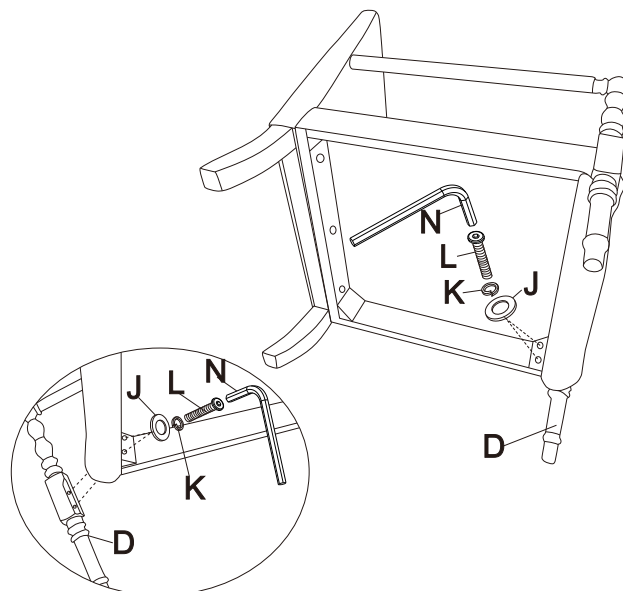
Step 2: Connect back frame [A] to the seat frame [B] with parts [L,K,J]. Tighten them by 80%.



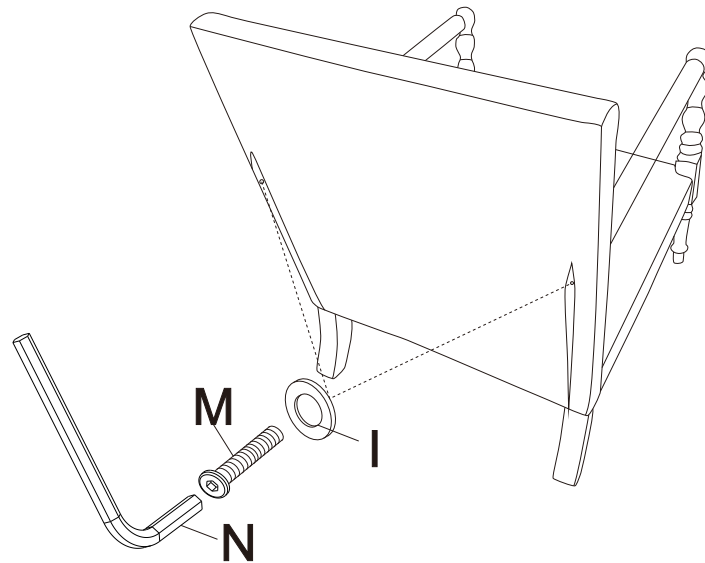
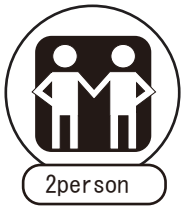
Step 3: Install the back legs [H] with washer [O],if not stable,pls add one more washer[O].



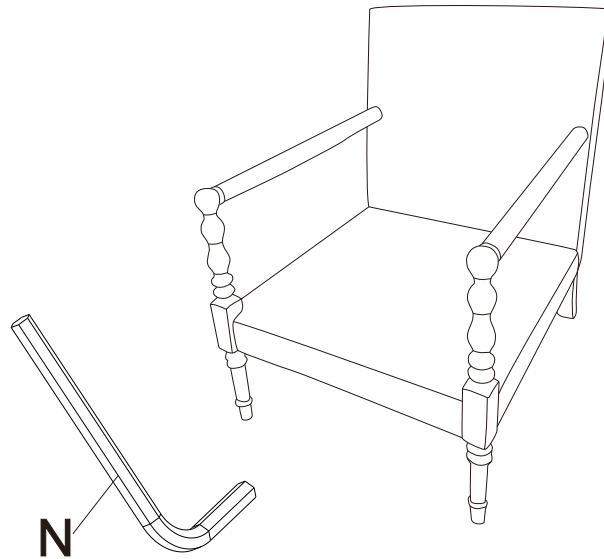
Step 4: Connect the chair frame to front leg [C] with parts [L,J.K],and tighten by 80%.



Step 5: Connect the chair frame to front leg [D] with parts [L,J.K],and tighten by 80%.



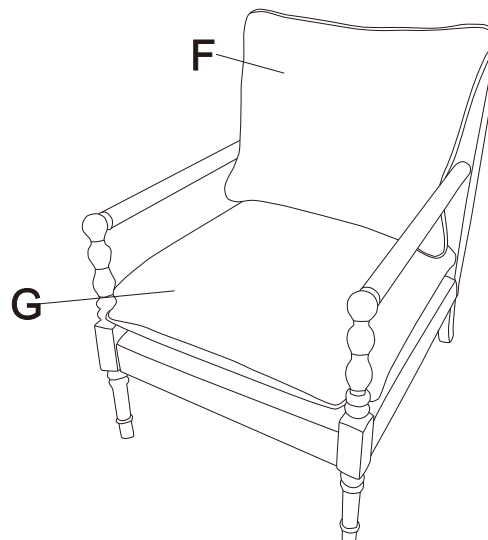
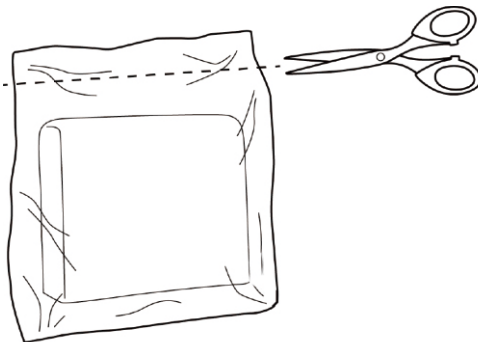
Step 6 : Open the fabric of back frame,connect the chair frame to armrest [E] with parts [M,I], and tighten by 80%.



Step 7 : tighten every screws by 100%.



NOTE:Cushion will be shipped in a compressed package,will return to normal in around 48 hours after opening .



Step 8 : Open the compressed bag,and take off the back cushion [F] and seat cushion [G].

