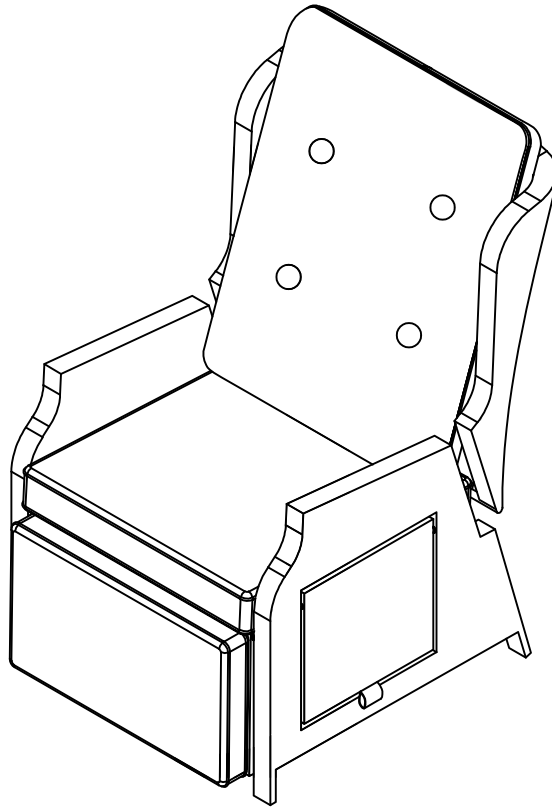




Wicker Recliner Chair
Assembly & Care instructions
Model number: RR01-S042K

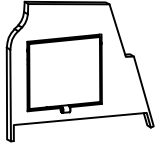
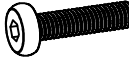
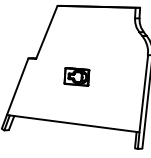

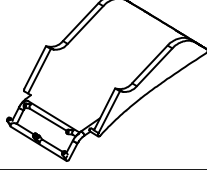

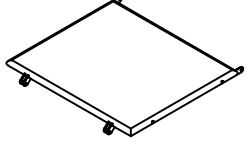

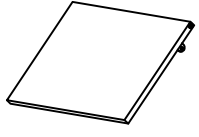


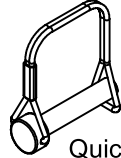
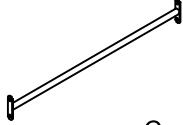

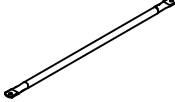
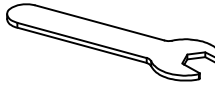
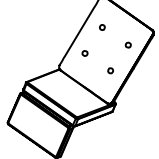


Warning

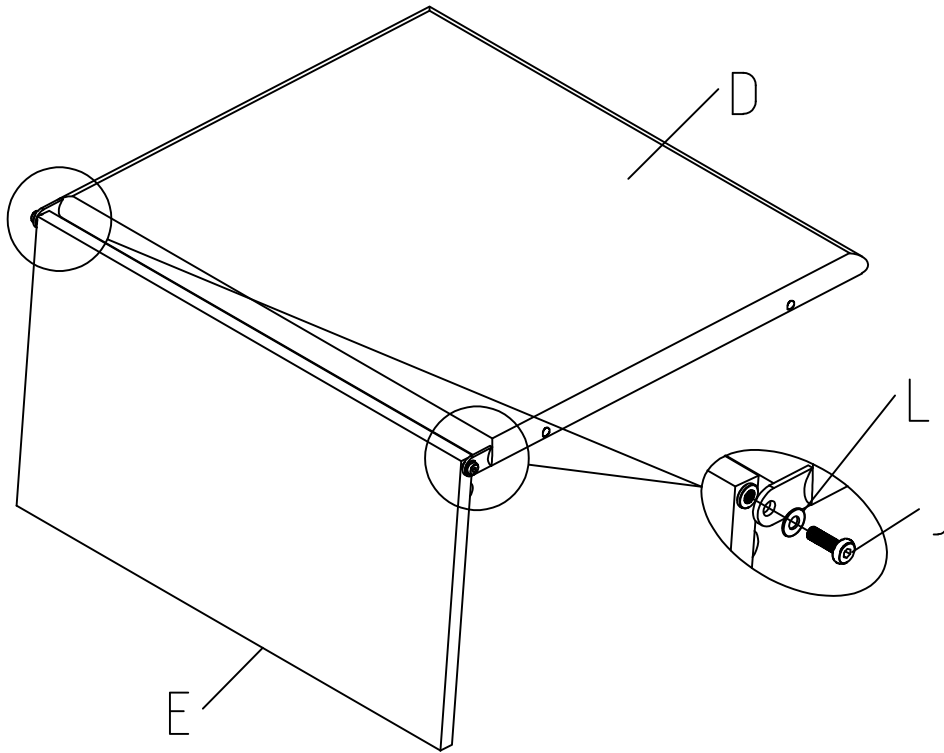
1. Pls confirm all parts correct before assemble.
2. Do not tighten fastening fully until assembly is completed.
3. **DO NOT USE POWER TOOLS.** Power tools can overtighten screws and strip threads.
4. Please read & retain this manual for future reference .
5. Maximum Load: Chair 350 lbs .

If you have any questions, feel free to contact us info@comlax-intl.com

PARTS LIST

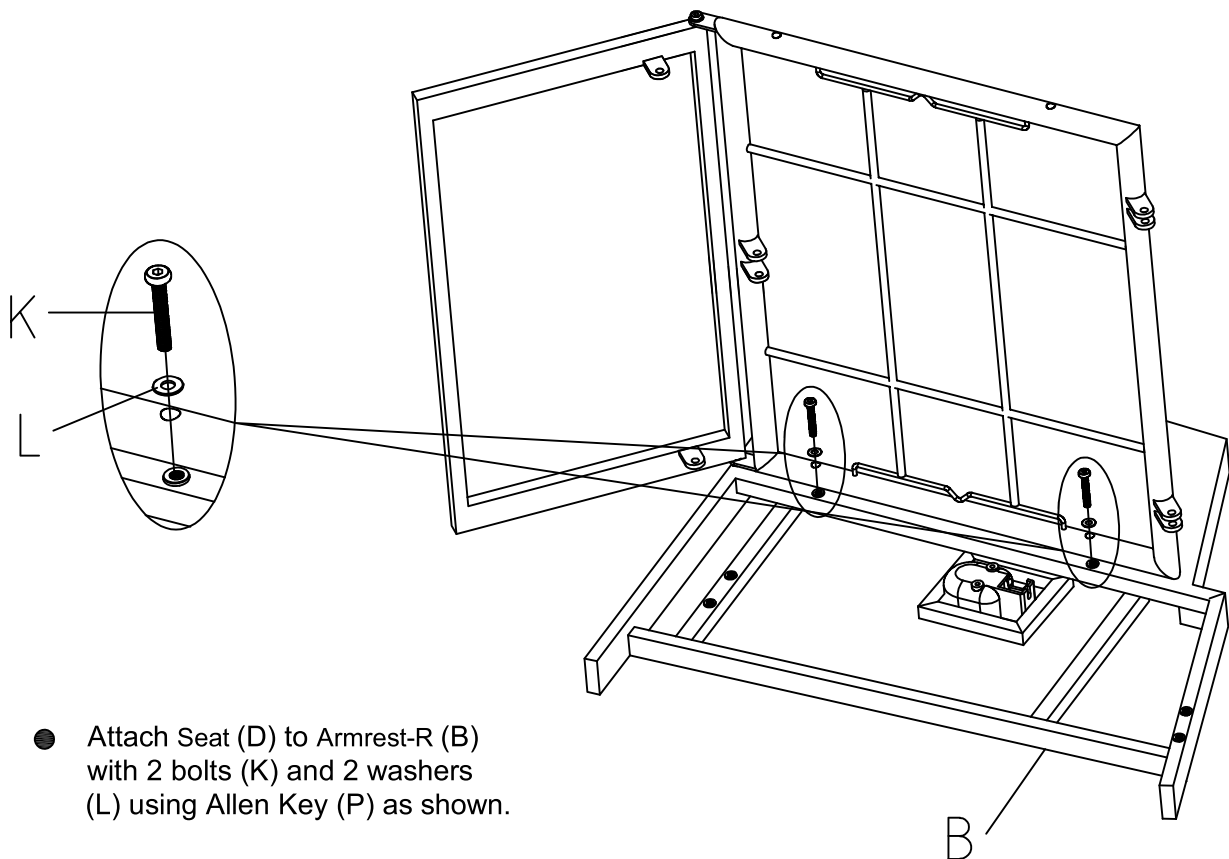
CODE	PARTS	QTY.	CODE	PARTS	QTY.
A	 Armrest-L	1pc	J	 M6x20mm	10pcs
B	 Armrest-R	1pc	K	 M6x40mm	8pcs
C	 Back	1pc	L	 Washer Ø6*14	22pcs
D	 Seat	1pc	M	 Nut (M6)	4pcs
E	 Pedals	1pc	N	 Washi 4Tmm	4pcs
F	 Connecting plate	1pc	O	 Quick release buckle	4pcs
G	 Connecting rod	1pc	P	 Allen Key	1pc
H	 Adjustment lever	2pcs	Q	 Spanner	1pc
I	 Cushion	1pc			

ATTENTION: Please full tighten screws at this step

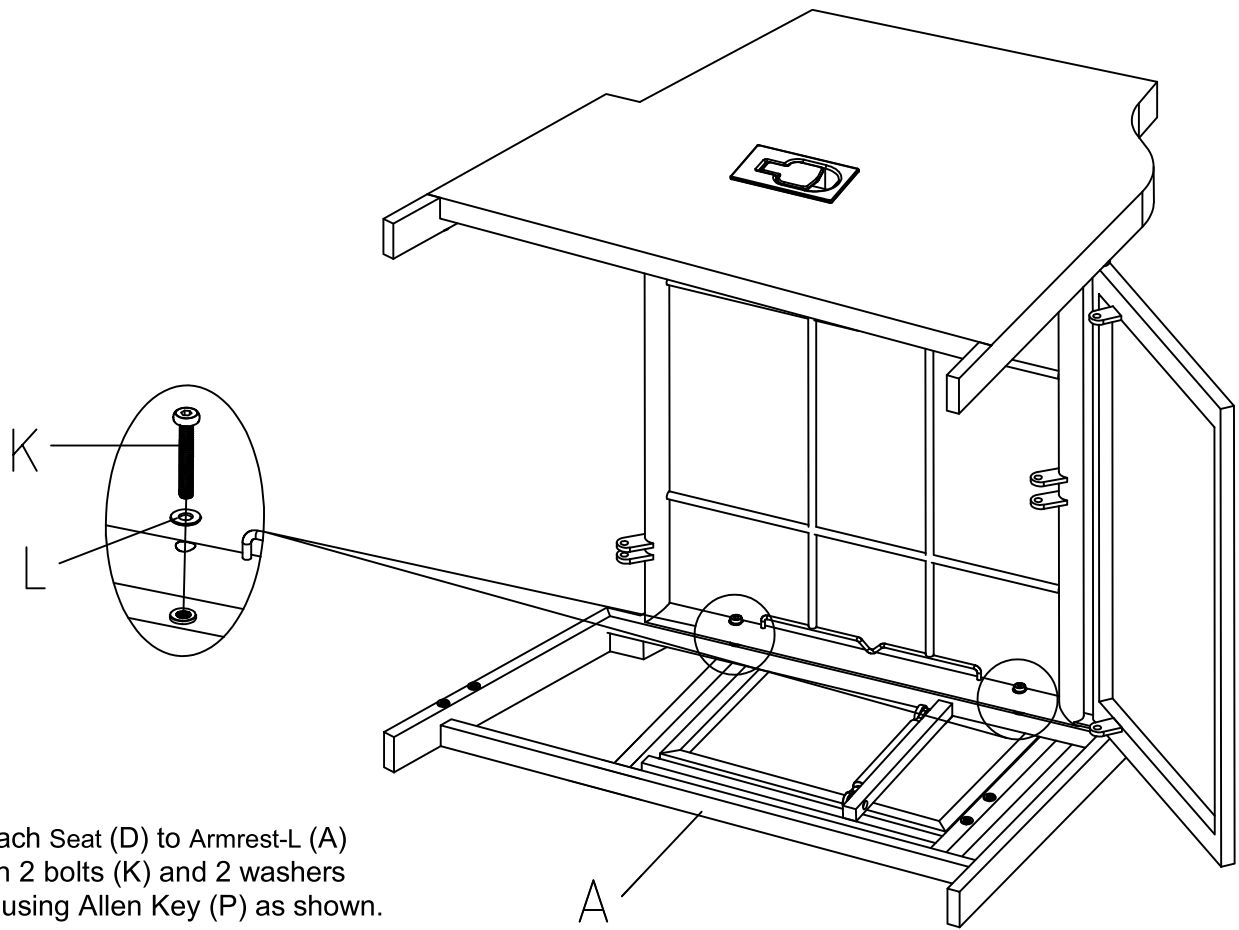


- Attach Seat (D) to Pedals (E) with 2 bolts (J) and 2 washers (L) using Allen Key (P) as shown.

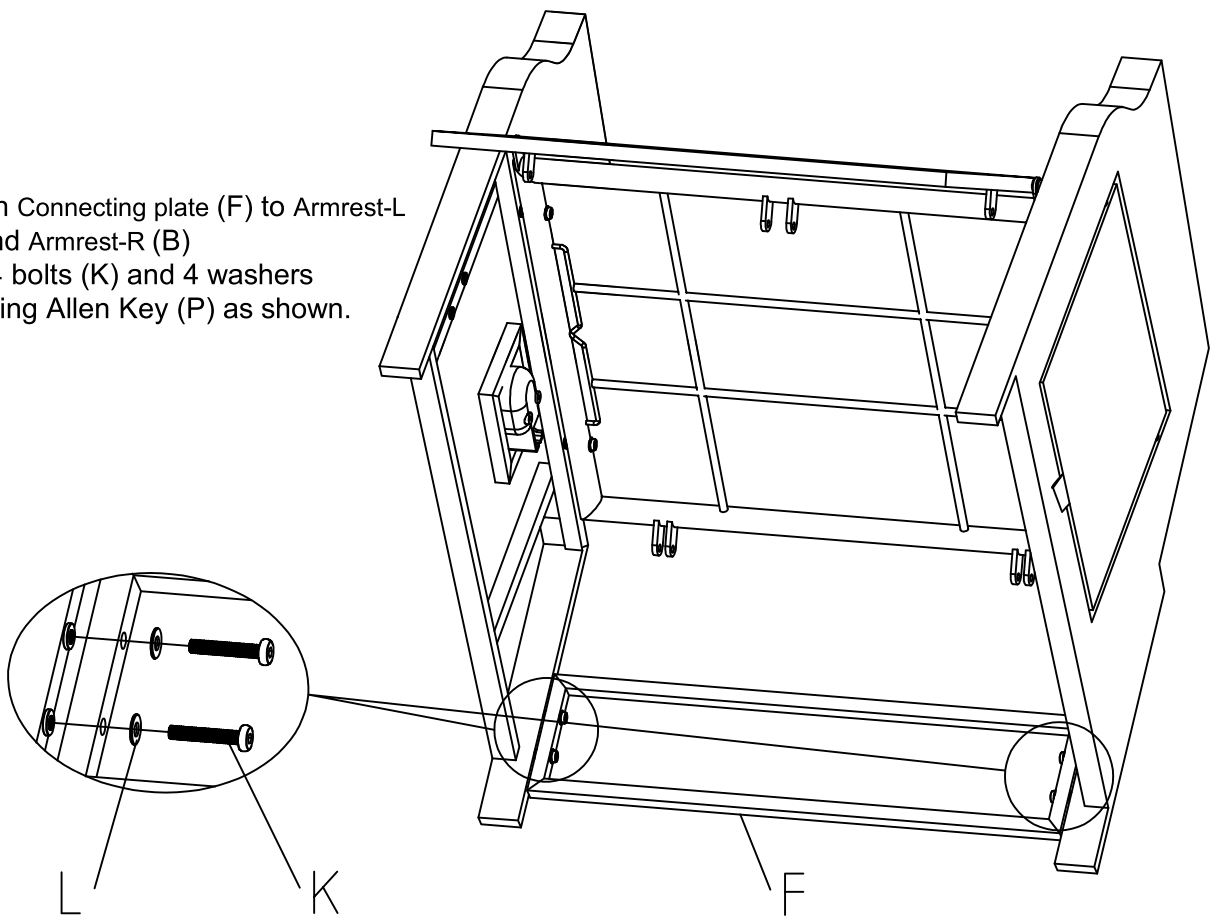
ATTENTION: Do not fully tighten until assembly is complete!

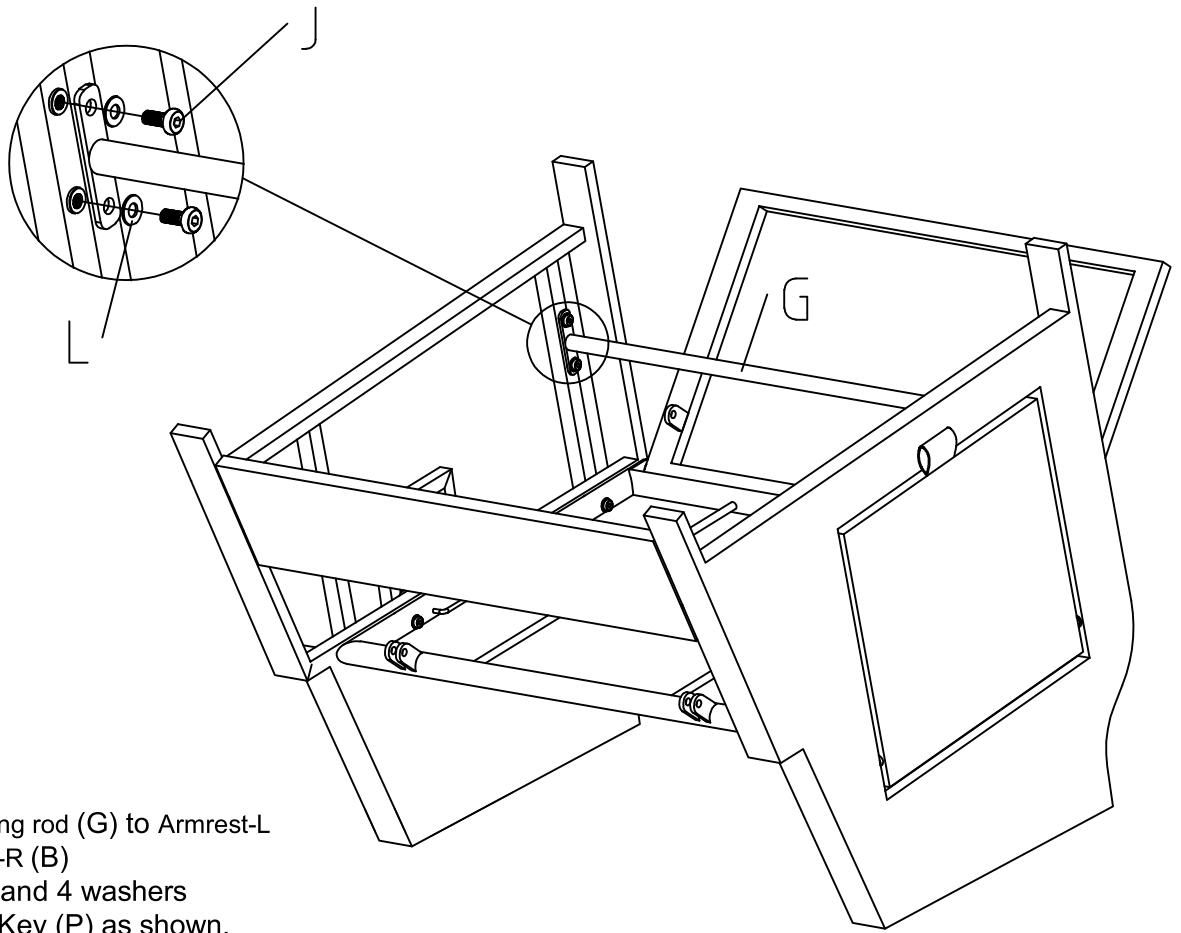


- Attach Seat (D) to Armrest-R (B) with 2 bolts (K) and 2 washers (L) using Allen Key (P) as shown.



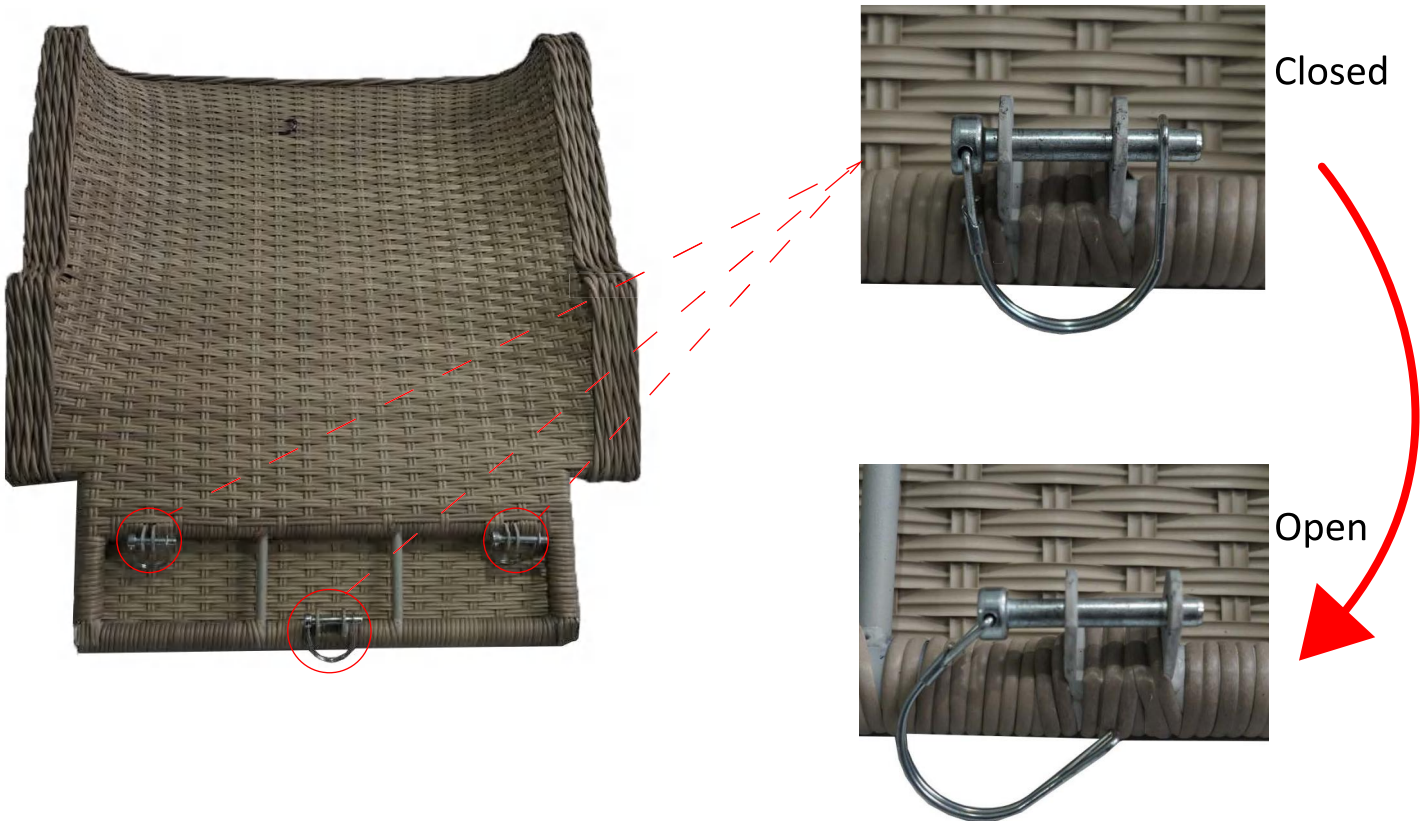
- Attach Connecting plate (F) to Armrest-L (A) and Armrest-R (B) with 4 bolts (K) and 4 washers (L) using Allen Key (P) as shown.

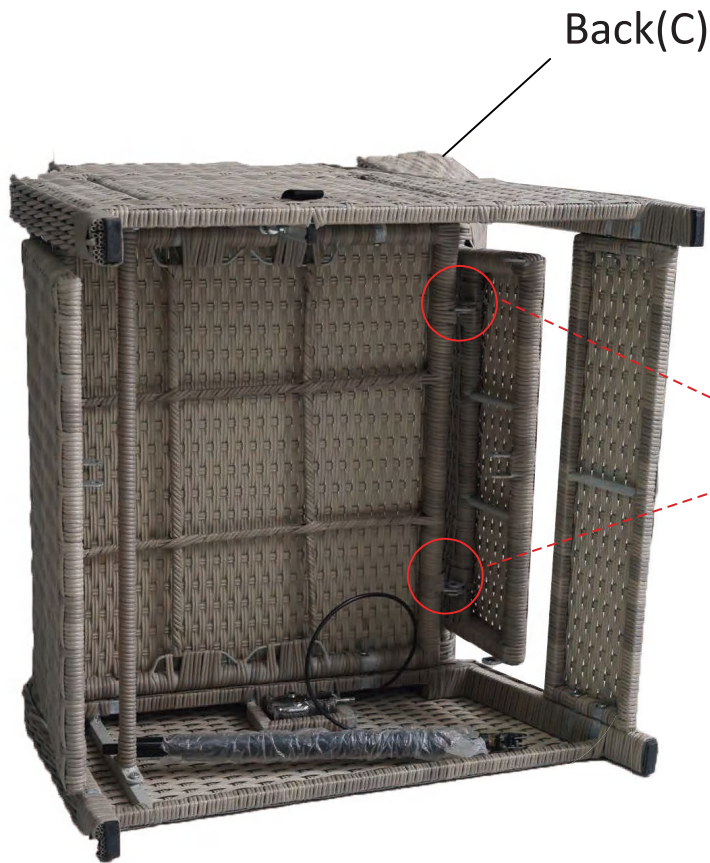




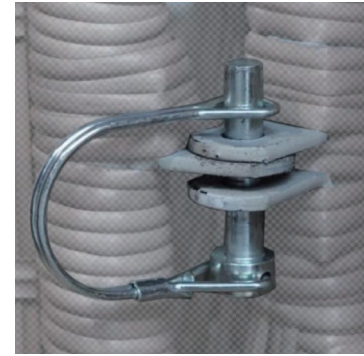
- Attach Connecting rod (G) to Armrest-L (A) and Armrest-R (B) with 4 bolts (J) and 4 washers (L) using Allen Key (P) as shown.

Open the buckle(O) and remove from the bottom of backrest



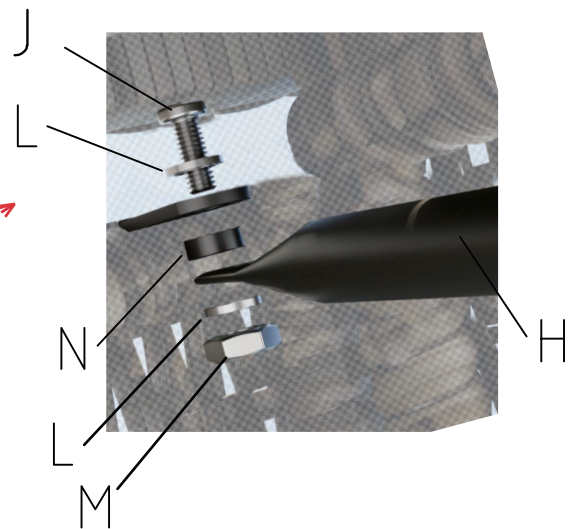
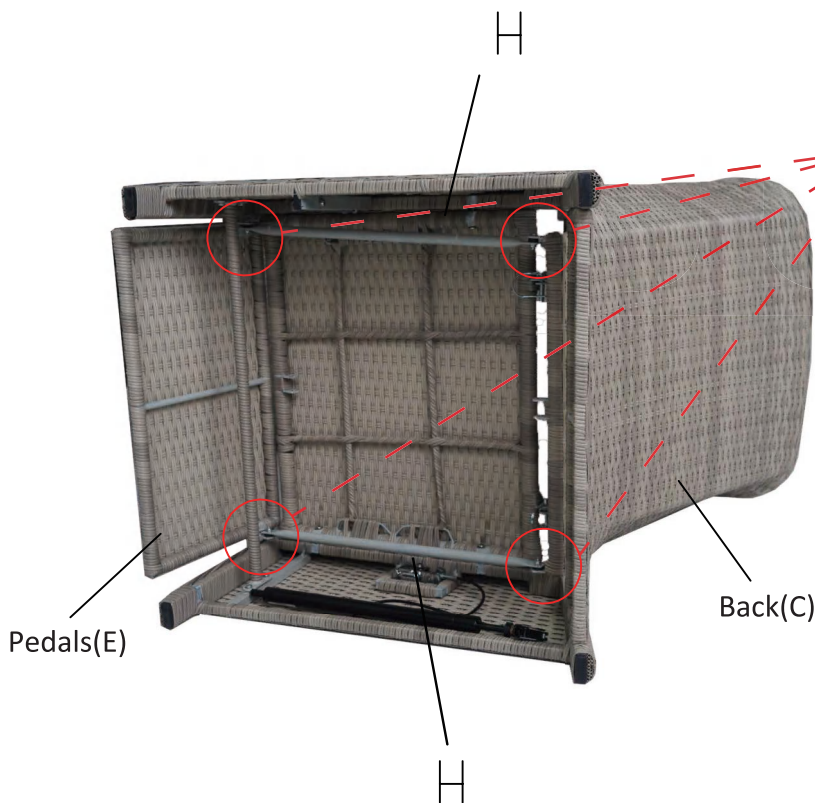


Insert buckle



Closed

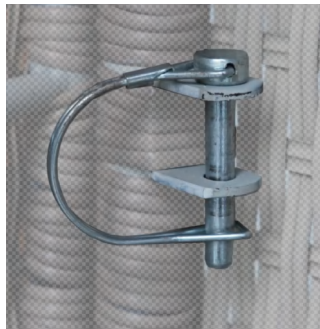
- Attach Back(C) to Seat(D) with 2 Quick release buckle (O) as shown



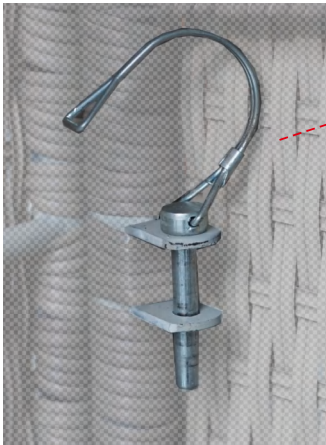
- Attach 2 Adjustment lever (H) to Pedals (E) and Back (C) with 4 bolts (J) and 8 washers (L) and 4 Washi (N) and 4 Nut (M) using Allen Key (P) and Spanner (Q) as shown.

Warning: Backrest can be moved back and forwards to match the holes

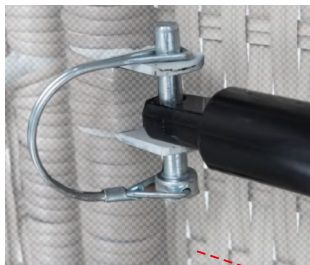
Closed



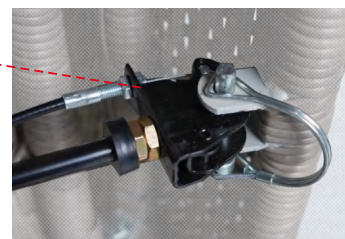
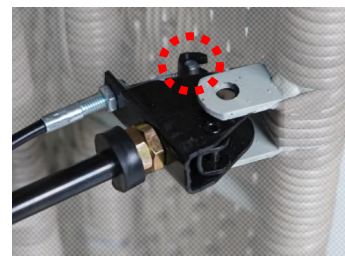
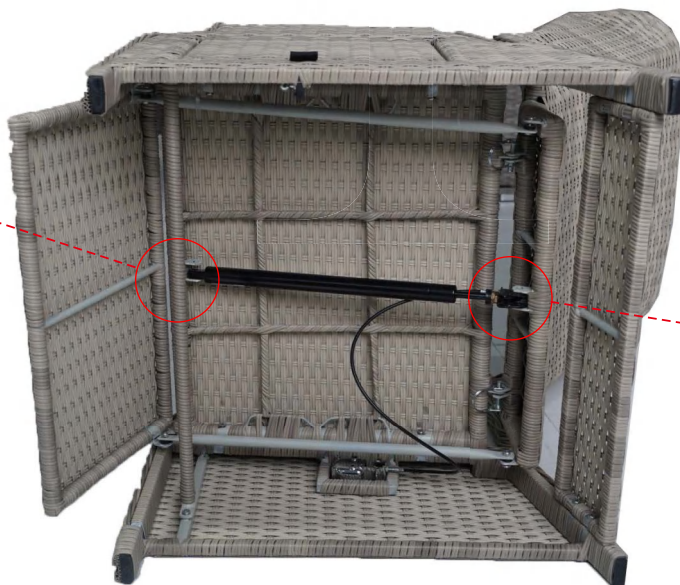
Open



Open the buckle(O) and remove from the front of seat



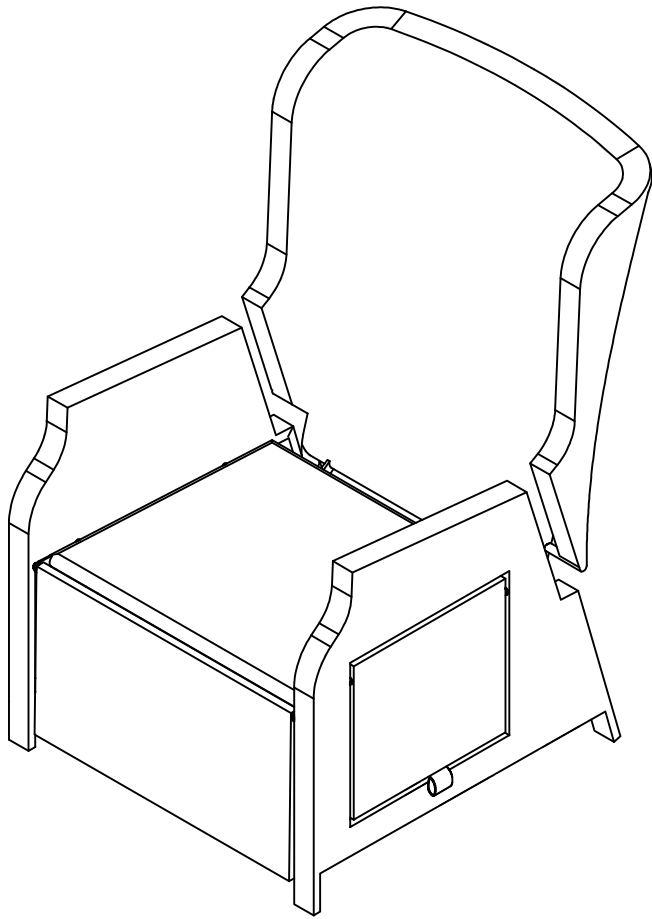
Hook side need towards seat inside



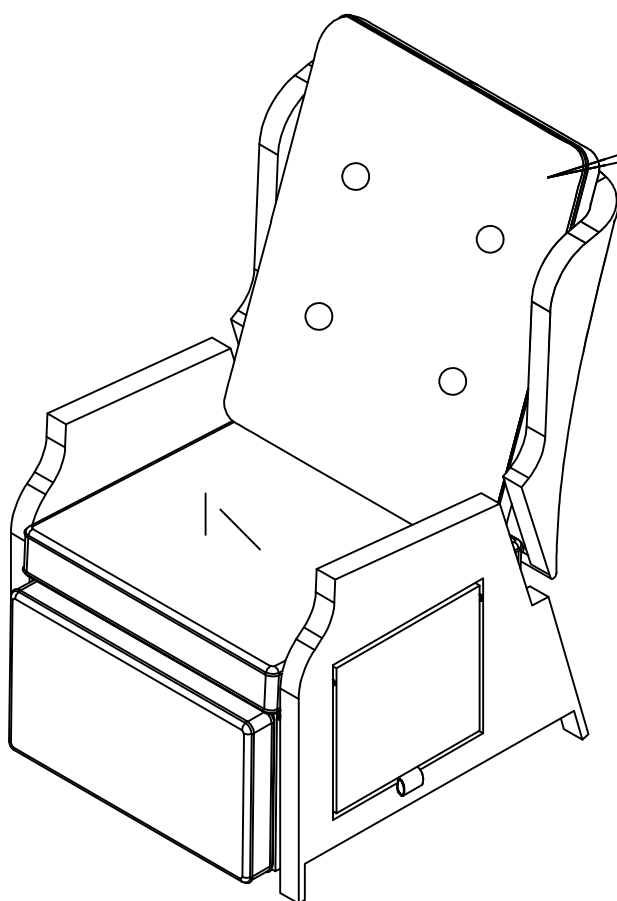
○

- Attach Cylinders to Seat(D) and Back(C) with 2 Buckles(O)

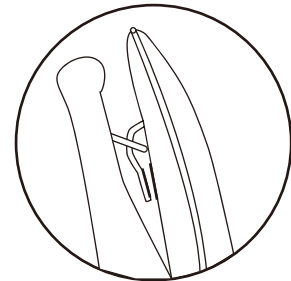
Warning: Backrest can be moved back and forwards to match the holes



- Once all bolts have been inserted and started, then tighten all bolts.

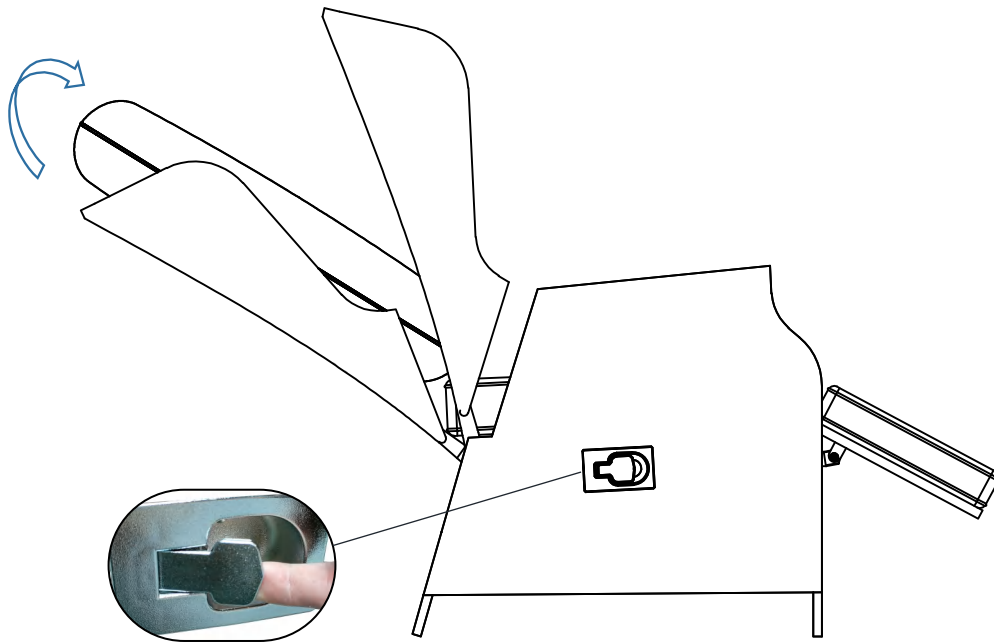


The iron ring on the backrest ,
can be hidden after turning over.

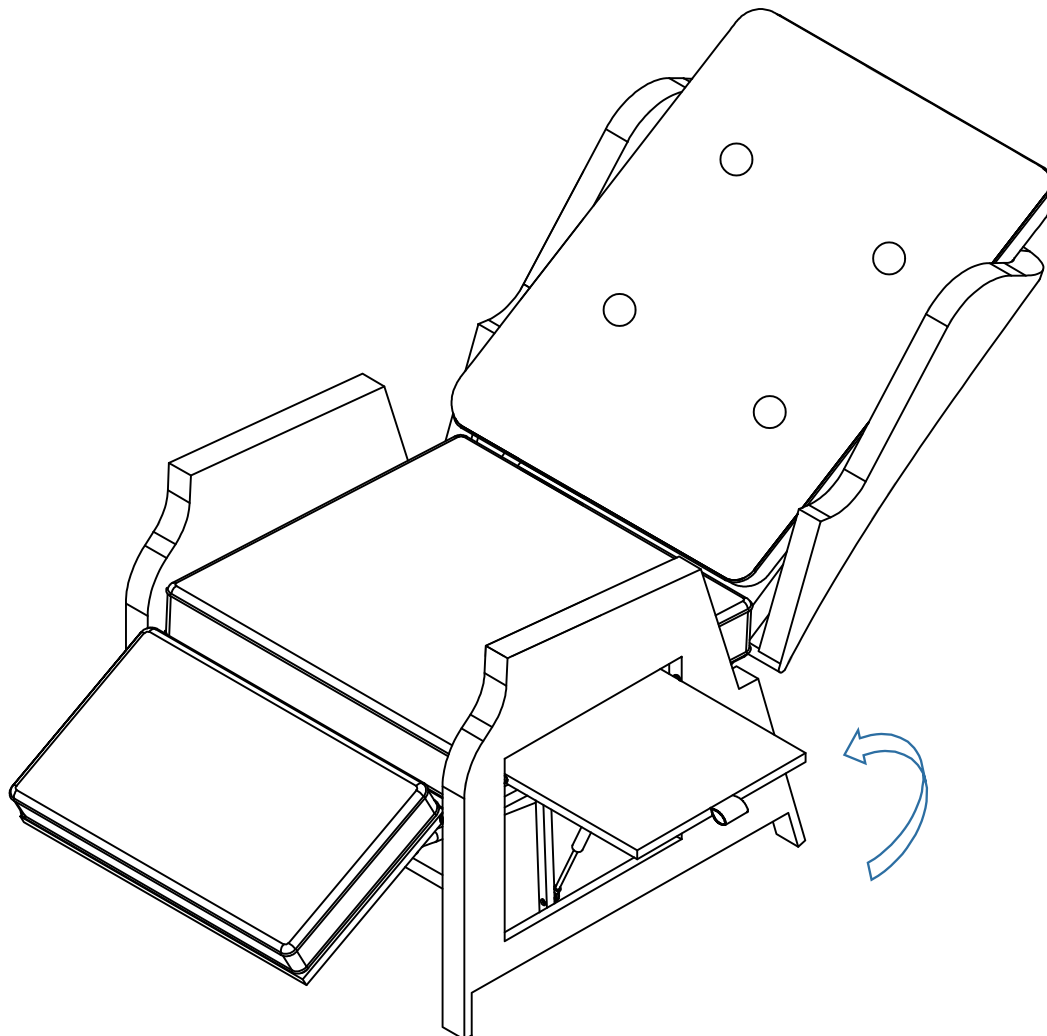


The cushion fabric loop
with Velcro is fixed through
the iron ring .

- Place cushion (I) as shown.



Flip the switch, press the back hard, and adjust the angle of the back.





Thanks for choosing Comlax field collection.
If you have any questions, inquires or
suggestions, pls contact us directly.
Always best services stand by.
Customer service email: info@comlax-intl.com
Attention: Products returned directly without
permission will be rejected!