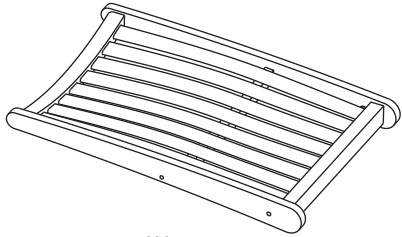
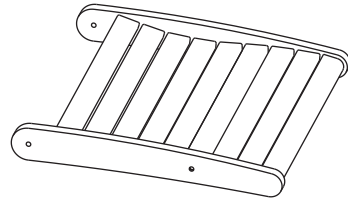


COMPONENTS



101



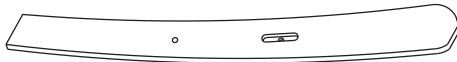
102



103 (R)



103 (L)



104 (R)



104 (L)



105 (R)



105 (L)



106

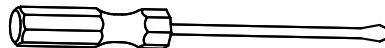


107

HARDWARE

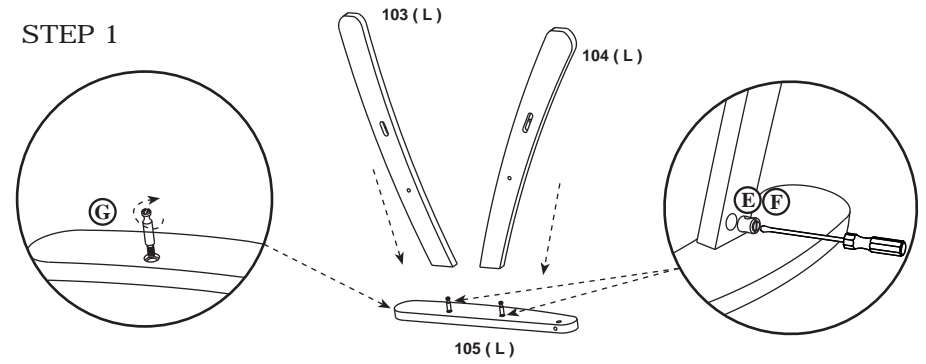
<p>A</p> <p>M6 x 70 2 pcs.</p>	<p>B</p> <p>M6 x 50 8 pcs.</p>	<p>C</p> <p>2 pcs.</p>	<p>D</p> <p>8 pcs.</p>
<p>E</p> <p>4 pc.</p>	<p>F</p> <p>4 pc.</p>	<p>G</p> <p>4 pcs.</p>	<p>H</p> <p>1 pc.</p>

TOOLS REQUIRED

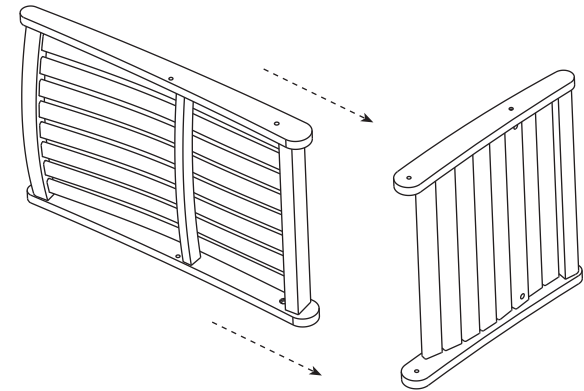


flat head screwdriver

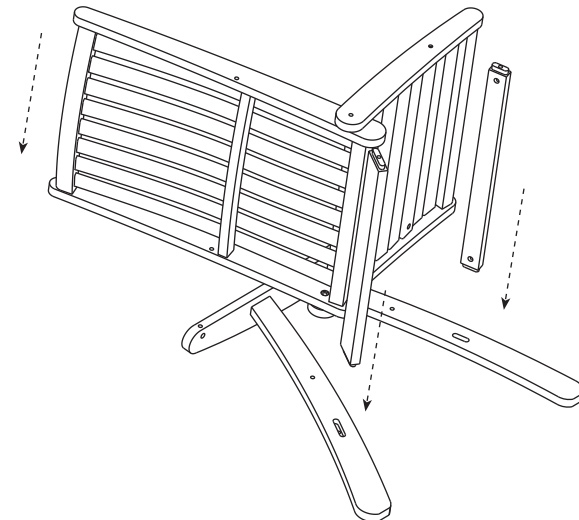
STEP 1



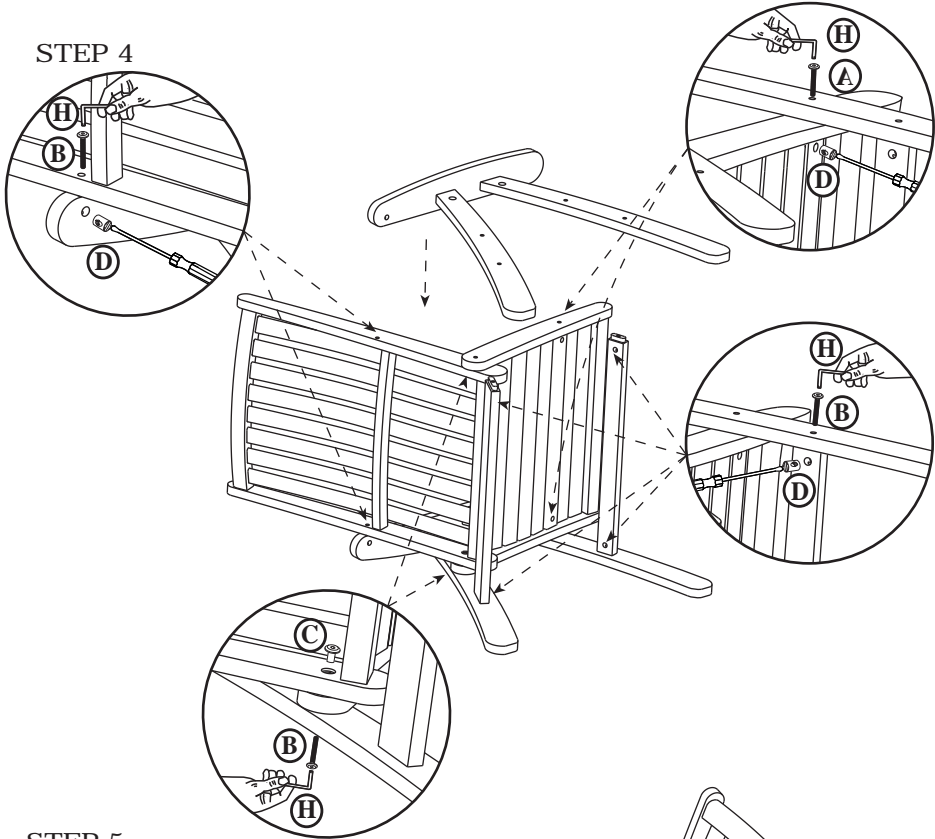
STEP 2



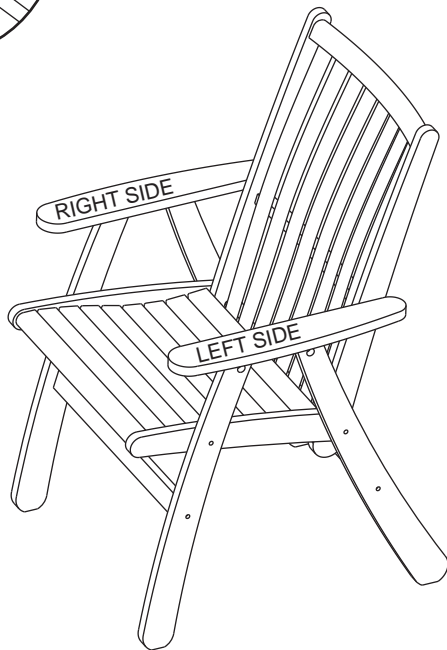
STEP 3



STEP 4



STEP 5



GOVERNOR CHAIR(#6279)

62020

Assembly Instructions

