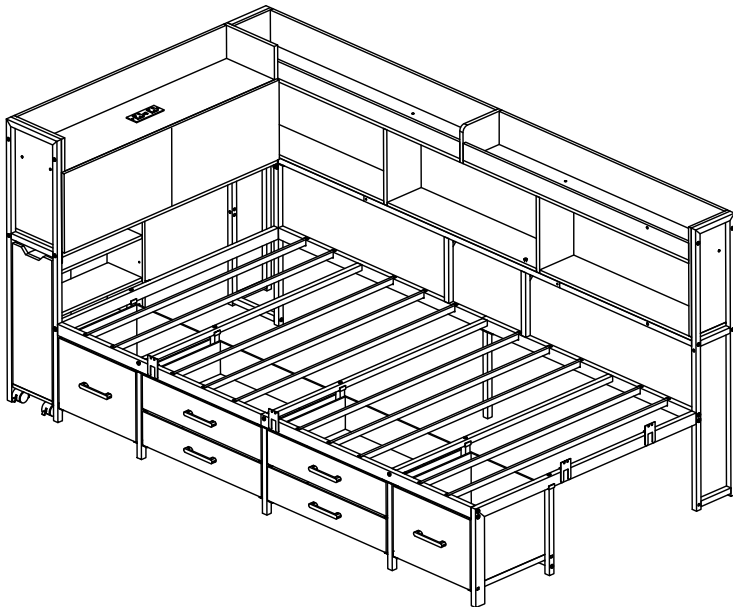
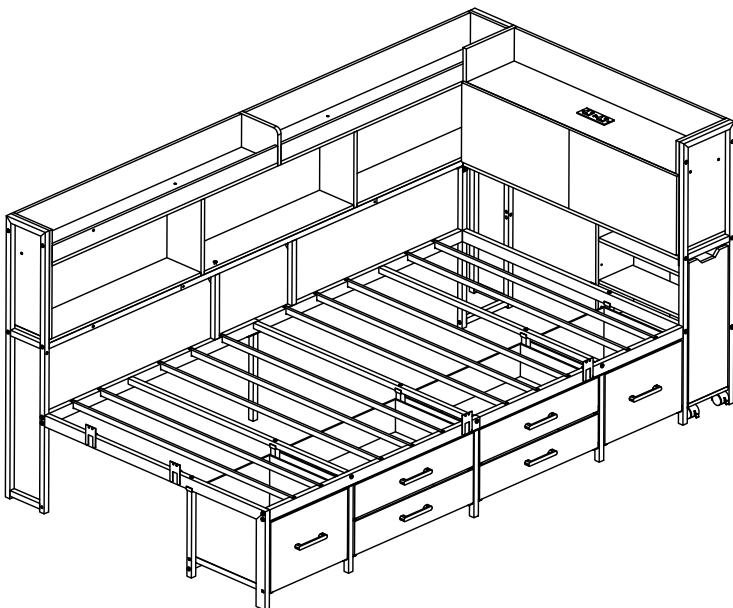


ASSEMBLY INSTRUCTION

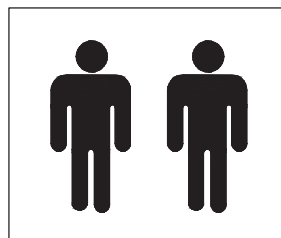
Version: 1.0



Assembly headboard at left side, please follow the assembly steps on page 6-41.



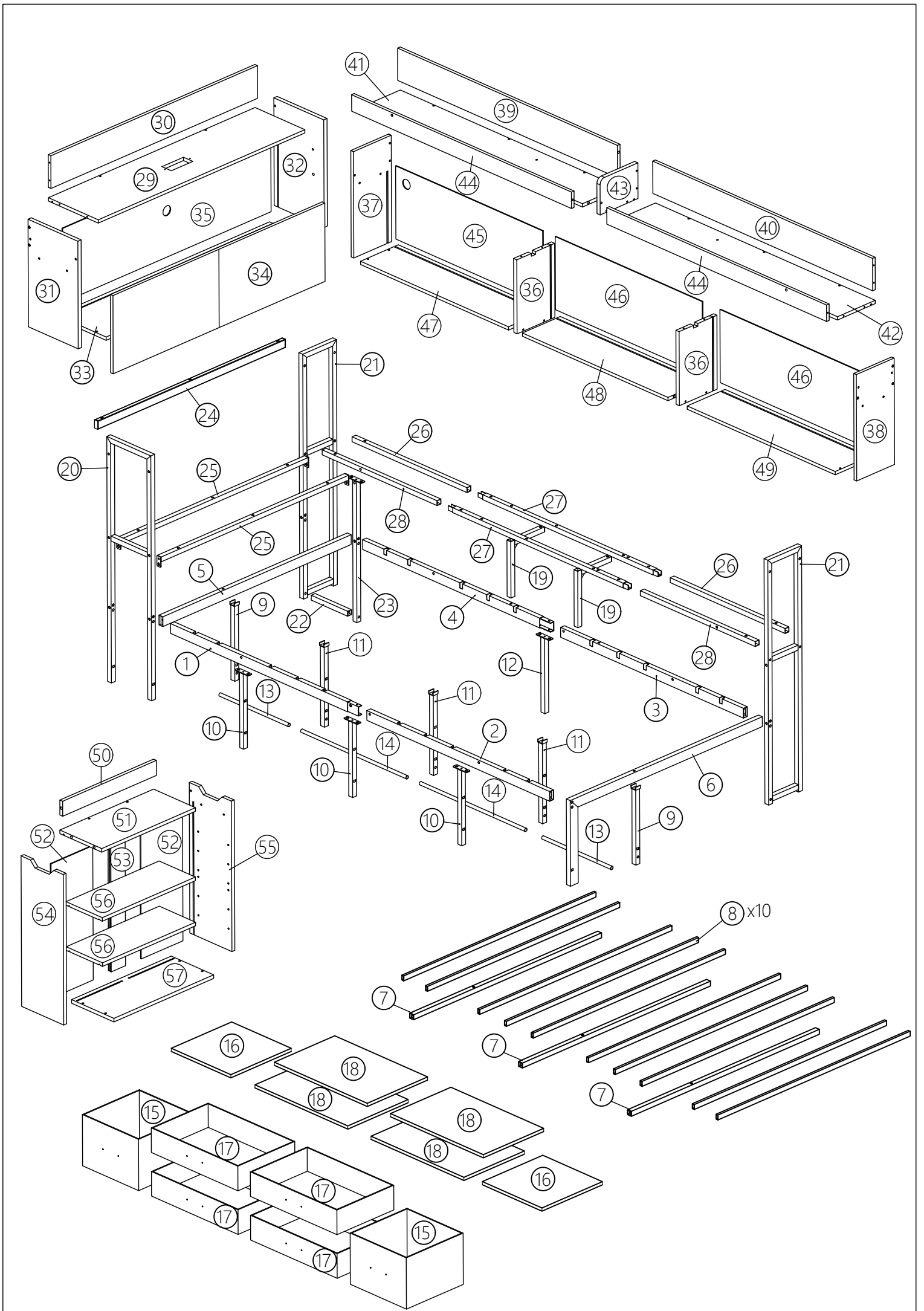
Assembly headboard at right side, please follow the assembly steps on page 42-78.



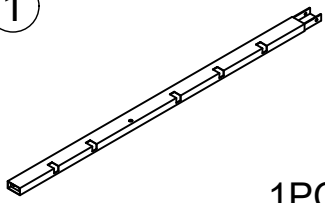
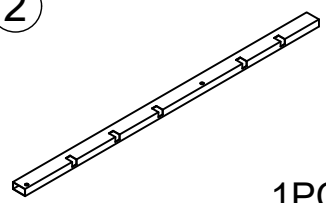
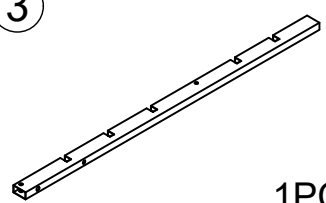
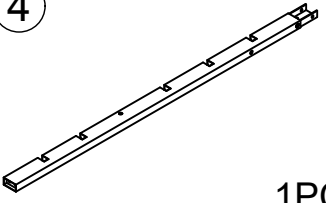
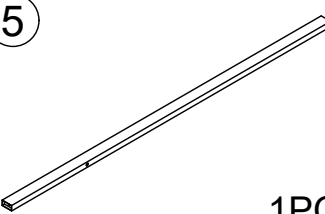
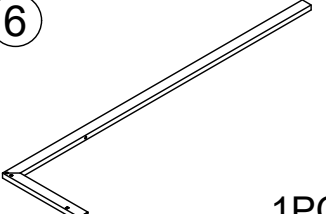
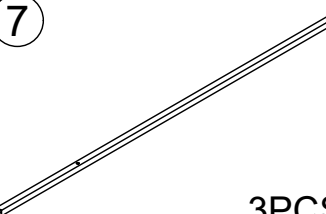
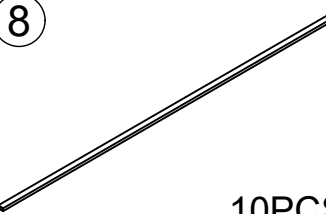
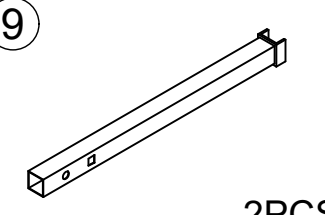
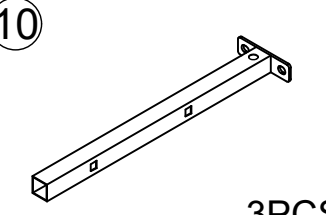
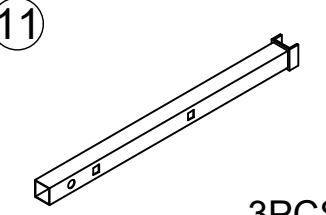
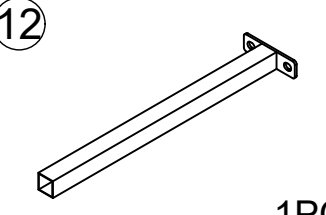
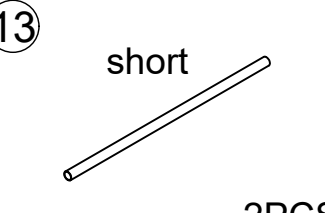
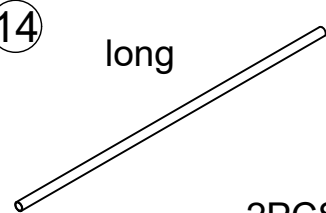
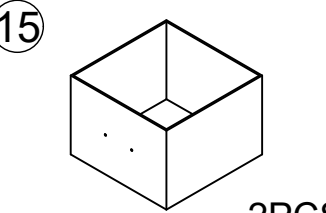
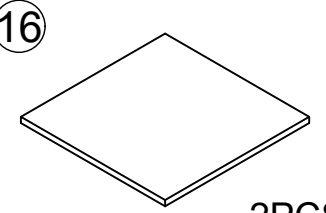
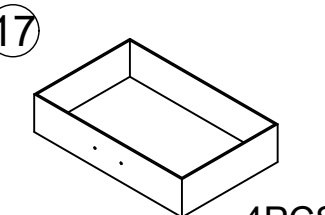
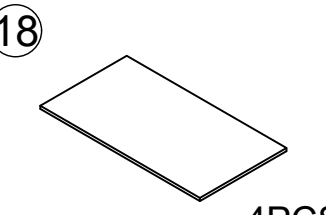
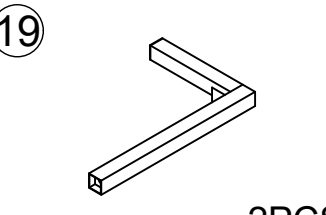
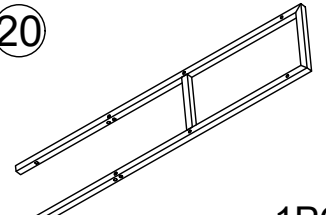
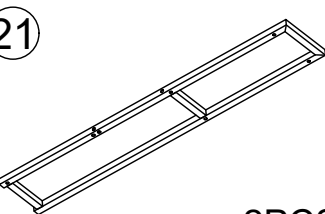
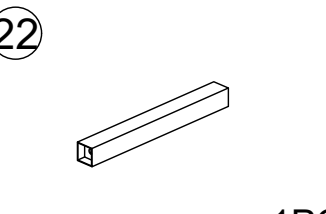
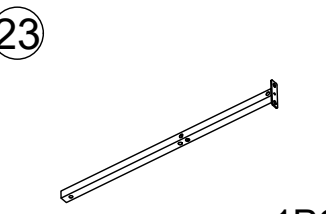
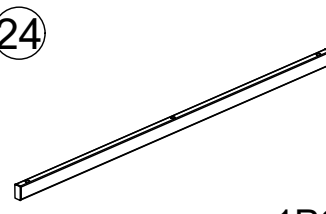
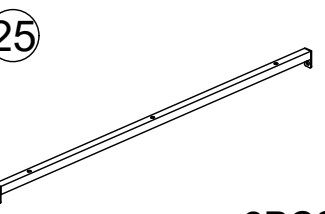
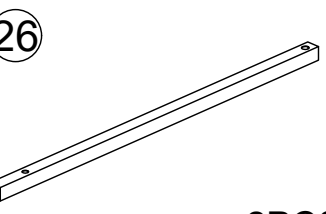
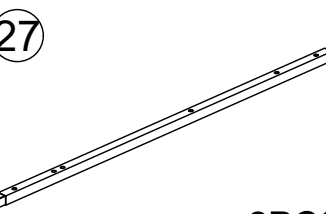
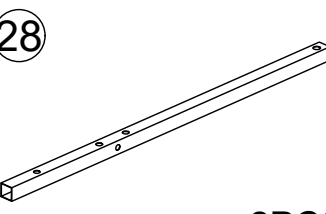
Note:

Should be assembled on flat ground to keep balance.
It needs at least two people to install.

Before starting the assembly, you must read the whole manual and follow the instructions.




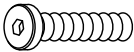
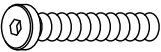
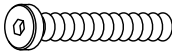
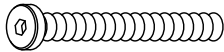

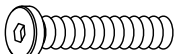

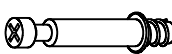
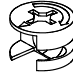

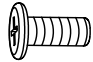

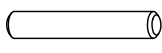
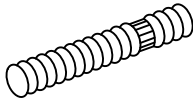
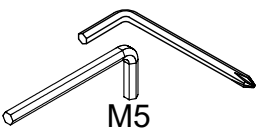

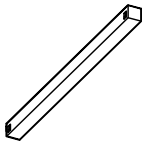
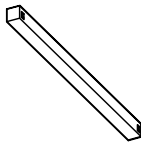

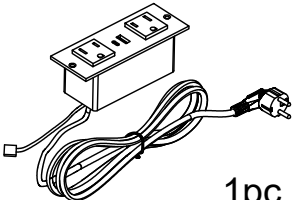

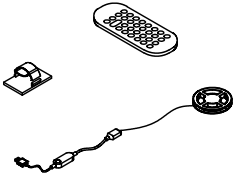
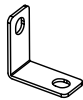
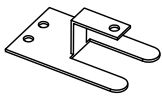
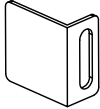
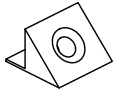
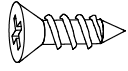
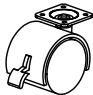
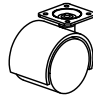
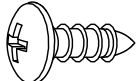
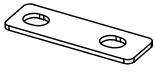
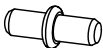
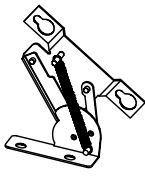
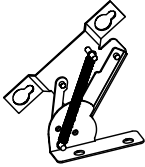
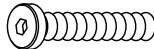

PARTS LIST

<p>①</p>  <p>1PC</p>	<p>②</p>  <p>1PC</p>	<p>③</p>  <p>1PC</p>	<p>④</p>  <p>1PC</p>
<p>⑤</p>  <p>1PC</p>	<p>⑥</p>  <p>1PC</p>	<p>⑦</p>  <p>3PCS</p>	<p>⑧</p>  <p>10PCS</p>
<p>⑨</p>  <p>2PCS</p>	<p>⑩</p>  <p>3PCS</p>	<p>⑪</p>  <p>3PCS</p>	<p>⑫</p>  <p>1PC</p>
<p>⑬</p> <p>short</p>  <p>2PCS</p>	<p>⑭</p> <p>long</p>  <p>2PCS</p>	<p>⑮</p>  <p>2PCS</p>	<p>⑯</p>  <p>2PCS</p>
<p>⑰</p>  <p>4PCS</p>	<p>⑱</p>  <p>4PCS</p>	<p>⑲</p>  <p>2PCS</p>	<p>⑳</p>  <p>1PC</p>
<p>㉑</p>  <p>2PCS</p>	<p>㉒</p>  <p>1PC</p>	<p>㉓</p>  <p>1PC</p>	<p>㉔</p>  <p>1PC</p>
<p>㉕</p>  <p>2PCS</p>	<p>㉖</p>  <p>2PCS</p>	<p>㉗</p>  <p>2PCS</p>	<p>㉘</p>  <p>2PCS</p>

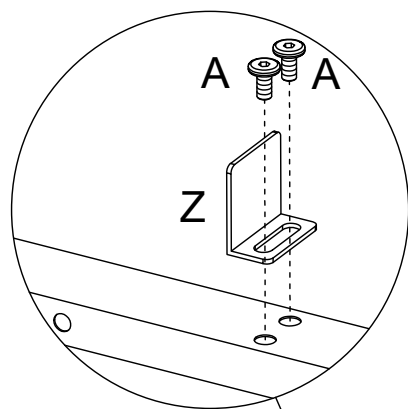
PARTS LIST

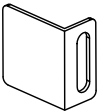
<p>②⑨</p> <p>1PC</p>	<p>③①</p> <p>1PC</p>	<p>③②</p> <p>1PC</p>	<p>③③</p> <p>1PC</p>
<p>③④</p> <p>1PC</p>	<p>③⑤</p> <p>1PC</p>	<p>③⑥</p> <p>1PC</p>	<p>③⑦</p> <p>2PCS</p>
<p>③⑧</p> <p>1PC</p>	<p>③⑨</p> <p>1PC</p>	<p>④①</p> <p>1PC</p>	<p>④②</p> <p>1PC</p>
<p>④③</p> <p>1PC</p>	<p>④④</p> <p>1PC</p>	<p>④⑤</p> <p>1PC</p>	<p>④⑥</p> <p>2PCS</p>
<p>④⑦</p> <p>1PC</p>	<p>④⑧</p> <p>2PCS</p>	<p>④⑨</p> <p>1PC</p>	<p>⑤①</p> <p>1PC</p>
<p>⑤②</p> <p>1PC</p>	<p>⑤③</p> <p>1PC</p>	<p>⑤④</p> <p>1PC</p>	<p>⑤⑤</p> <p>2PCS</p>
<p>⑤⑥</p> <p>1PC</p>	<p>⑤⑦</p> <p>1PC</p>	<p>⑤⑧</p> <p>1PC</p>	<p>⑤⑨</p> <p>2PCS</p>
<p>⑥①</p> <p>1PC</p>			


PARTS LIST

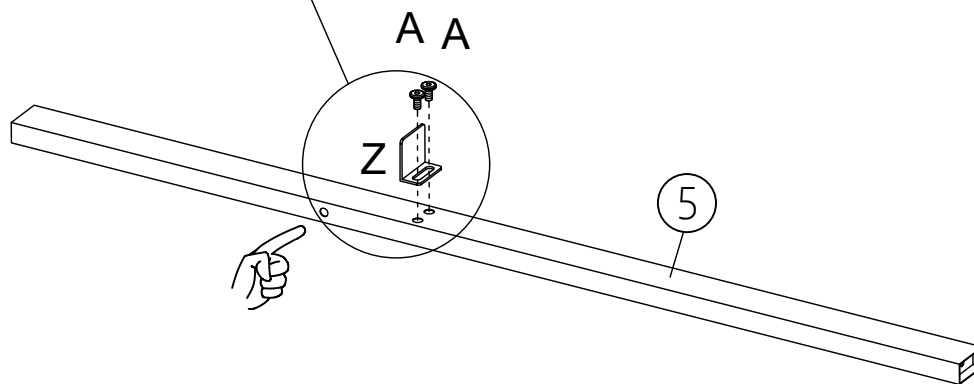
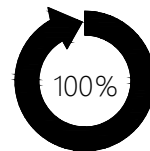
<p>A</p>  <p>M6x12</p> <p>31pcs+3</p>	<p>B</p>  <p>M6x28</p> <p>22pcs+2</p>	<p>C</p>  <p>M6x35</p> <p>2pcs+1</p>	<p>D</p>  <p>M6x40</p> <p>22pcs+2</p>	<p>E</p>  <p>M6x60</p> <p>4pcs+1</p>	
<p>F</p>  <p>M8x12</p> <p>4pcs+1</p>	<p>G</p>  <p>M8x40</p> <p>11pcs+1</p>	<p>H</p>  <p>M5x38</p> <p>52pcs+3</p>	<p>I</p>  <p>Ø6x35</p> <p>24pcs+2</p>	<p>J</p>  <p>Ø15x10</p> <p>24pcs+2</p>	
<p>K</p>  <p>M6x20</p> <p>1pc+1</p>	<p>L</p>  <p>M4x10</p> <p>12pcs+1</p>	<p>M</p>  <p>Ø3.5x12</p> <p>2pcs+1</p>	<p>N</p>  <p>Ø6x60</p> <p>1pc+1</p>	<p>O</p>  <p>M6x50</p> <p>3pcs+1</p>	
<p>P</p>  <p>M5</p> <p>1+1pc</p>	<p>Q</p>  <p>M4</p> <p>2pcs</p>	<p>R</p>  <p>6pcs</p>	<p>S</p>  <p>6pcs</p>	<p>T</p>  <p>6pcs</p>	
<p>U</p>  <p>1pc</p>	<p>V</p>  <p>M3</p> <p>2pcs</p>	<p>W</p>  <p>1pc</p>	<p>X</p>  <p>3pcs</p>	<p>Y</p>  <p>4pcs</p>	
<p>Z</p>  <p>1pc</p>	<p>AA</p>  <p>16pcs+1</p>	<p>AB</p>  <p>Ø3.5x16</p> <p>16pcs+1</p>	<p>AC</p>  <p>2pcs</p>	<p>AD</p>  <p>2pcs</p>	<p>AE</p>  <p>Ø4x12</p> <p>16pcs+1</p>
<p>AF</p>  <p>1pc</p>	<p>AG</p>  <p>8pcs+1</p>	<p>AH</p>  <p>1pc</p>	<p>AI</p>  <p>1pc</p>	<p>AJ</p>  <p>M6x38</p> <p>3pcs+1</p>	<p>AK</p>  <p>2pc+1</p>

Step 1



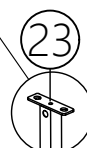
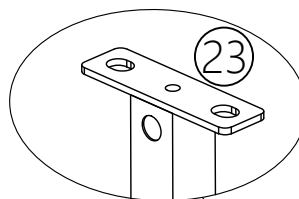
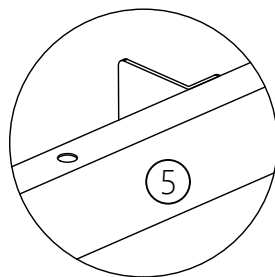
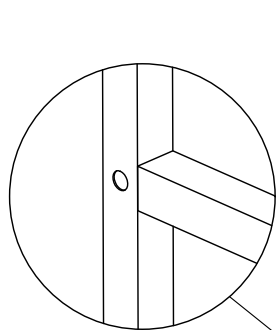
Z

1pc

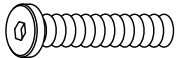
A

M6x12
2pcs

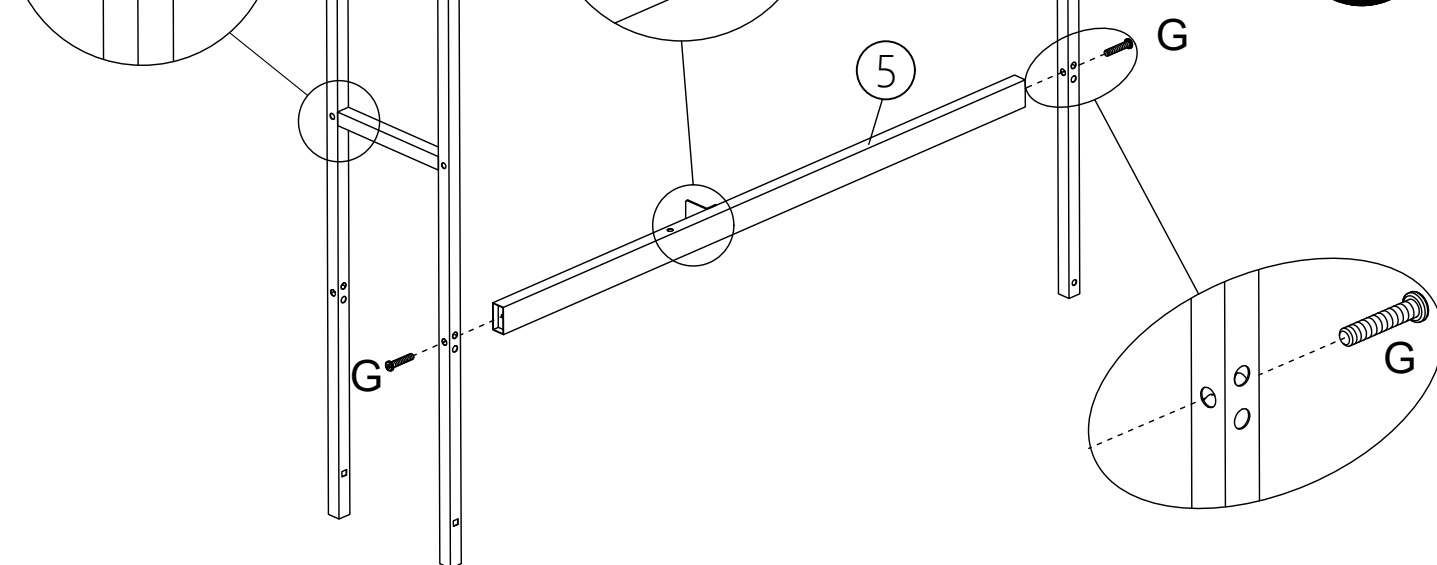
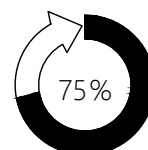


Step 2

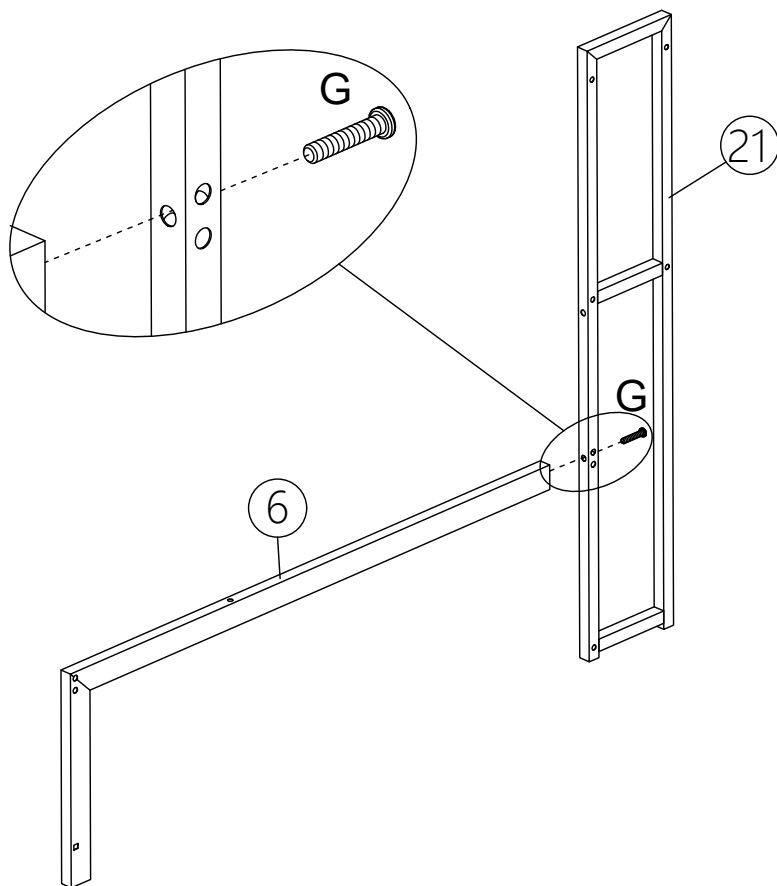
Attention to #23 part hole towards



G

M8x40
2pcs



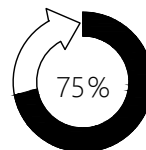
Step 3



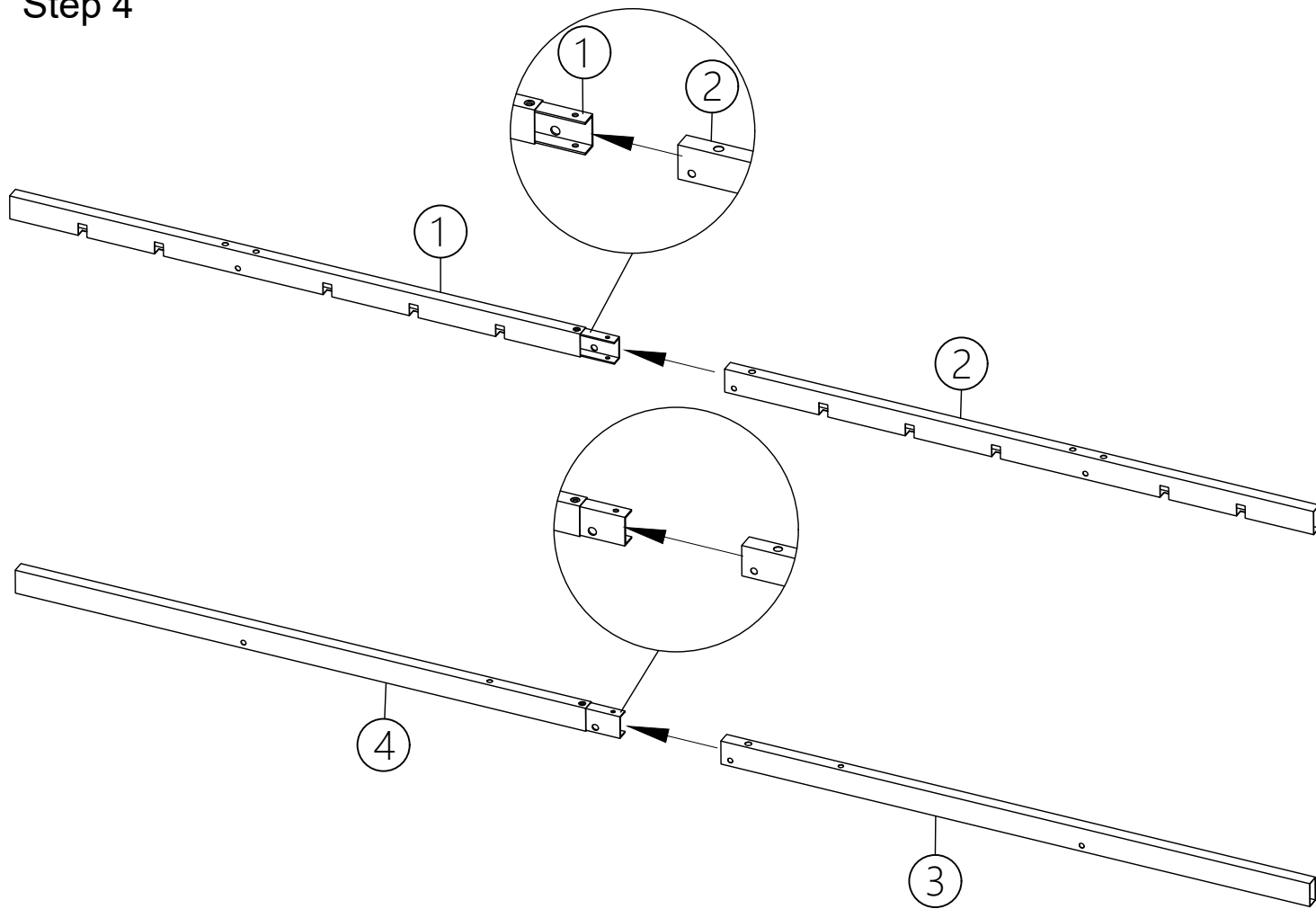
G

M8x40

1pc

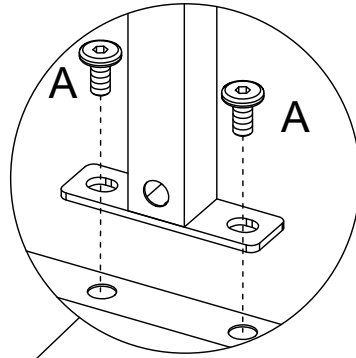


Step 4



Step 5

Attention to #10 part hole towards

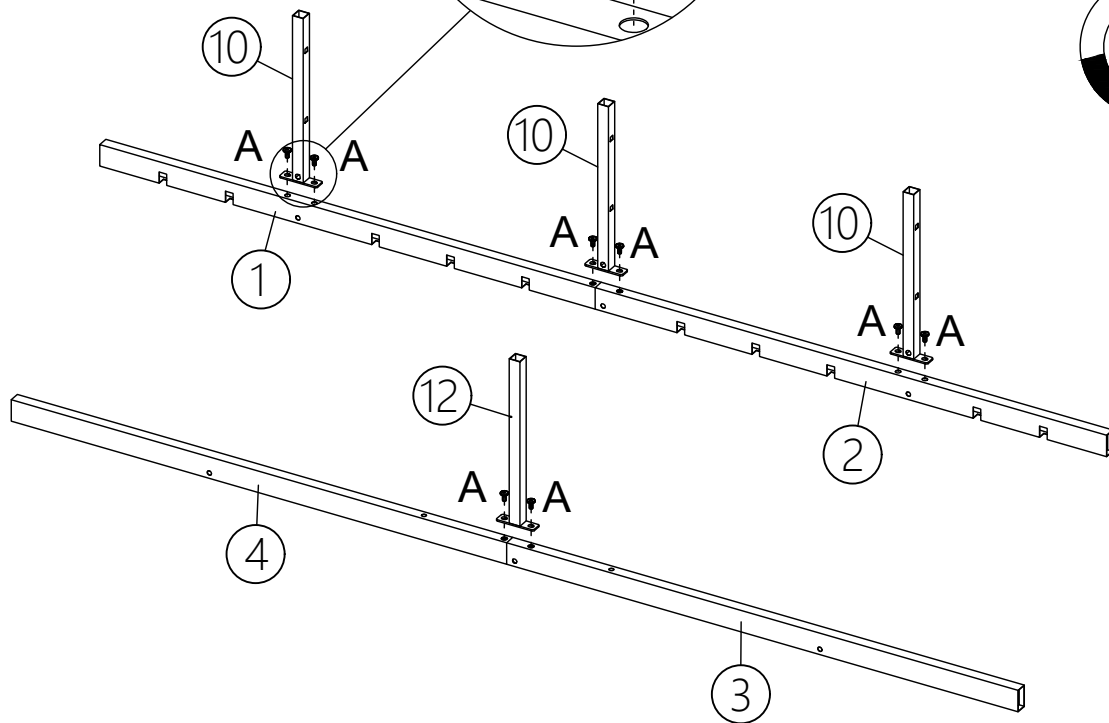
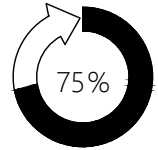


A

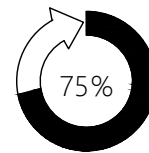


M6x12

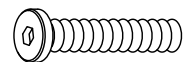
8pcs



Step 6

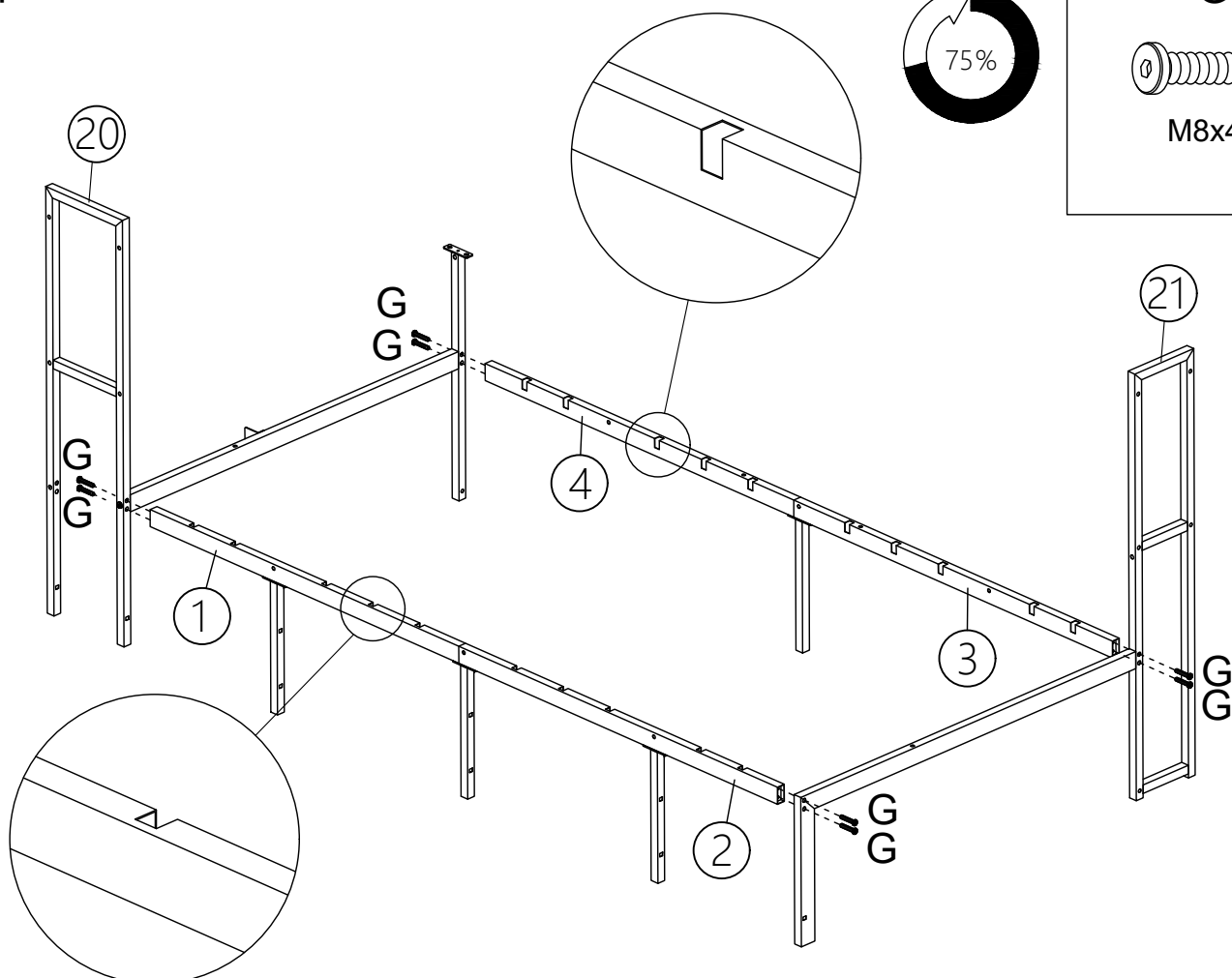


G

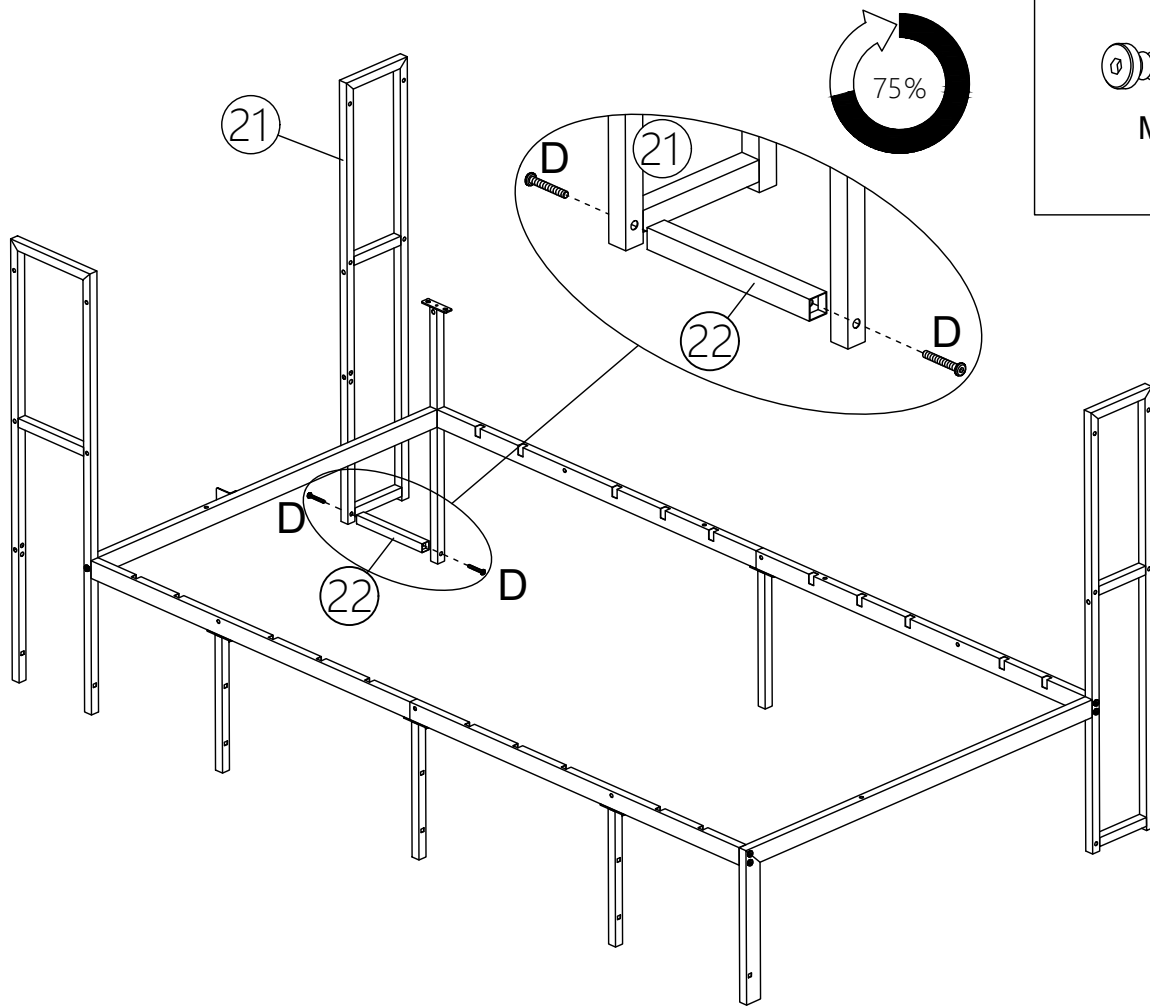


M8x40

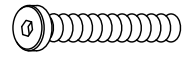
8pcs



Step 7



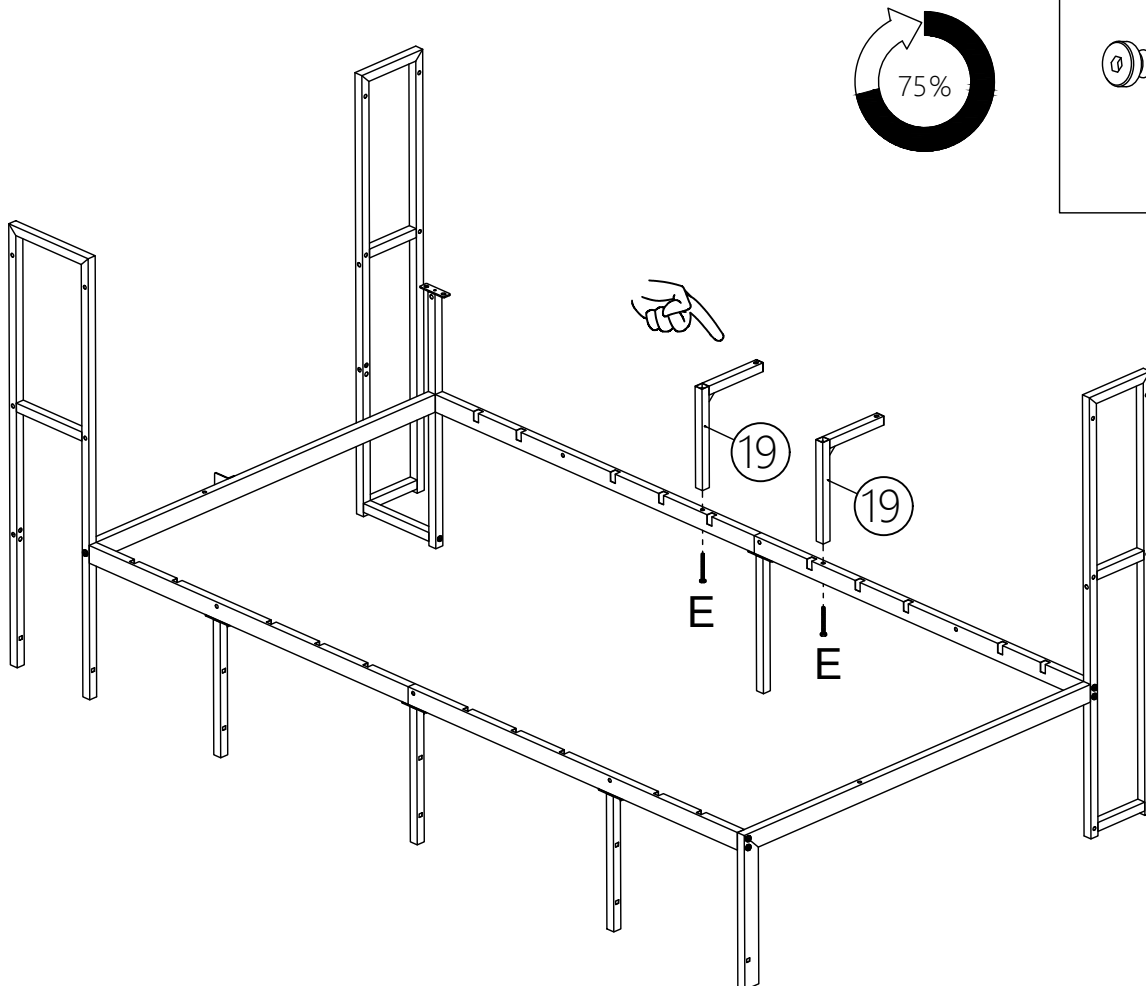
D



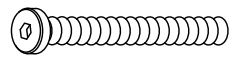
M6x40

2pcs

Step 8



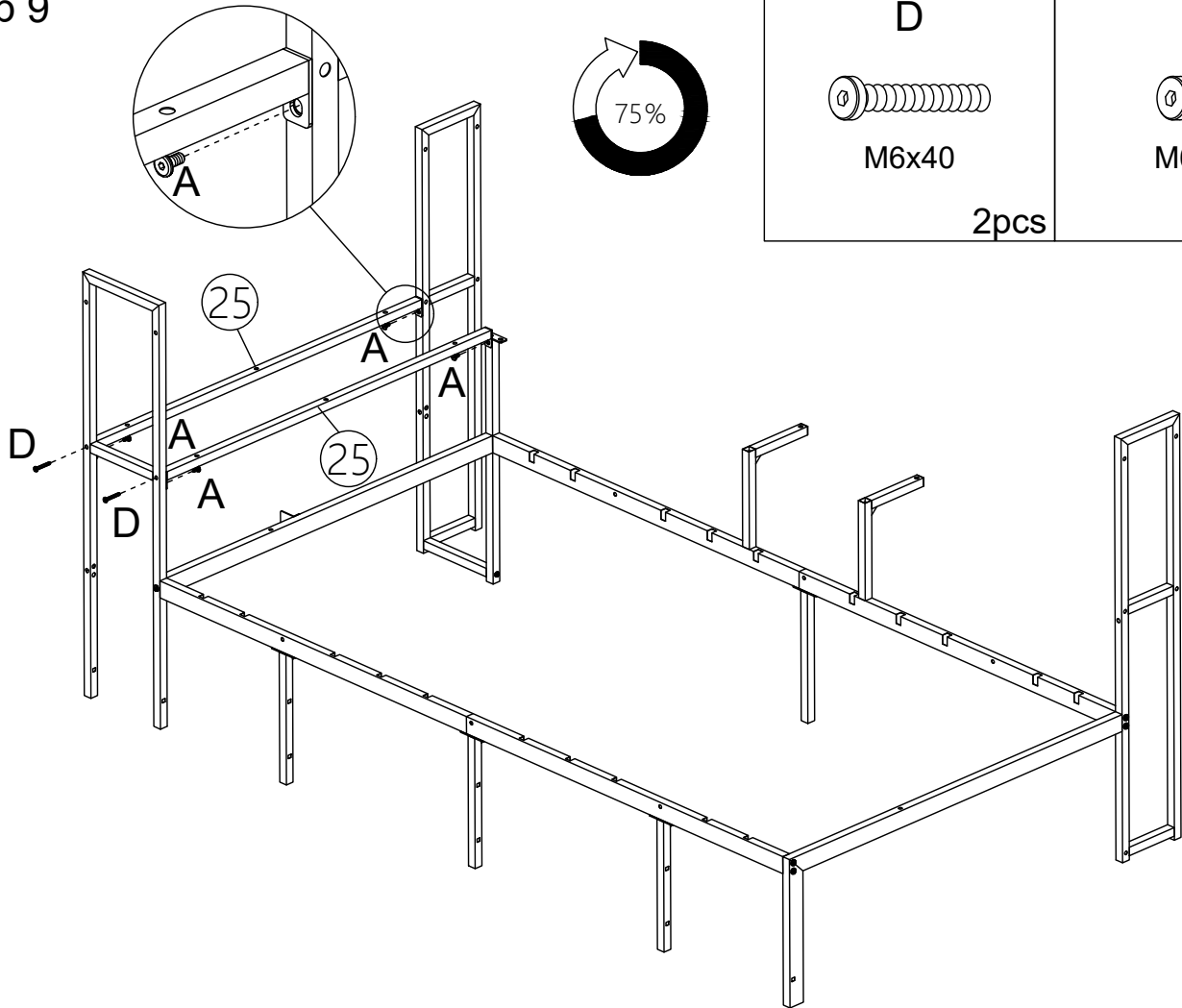
E



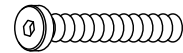
M6x60

2pcs

Step 9



D



M6x40

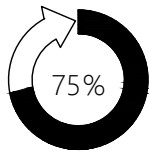
2pcs

A

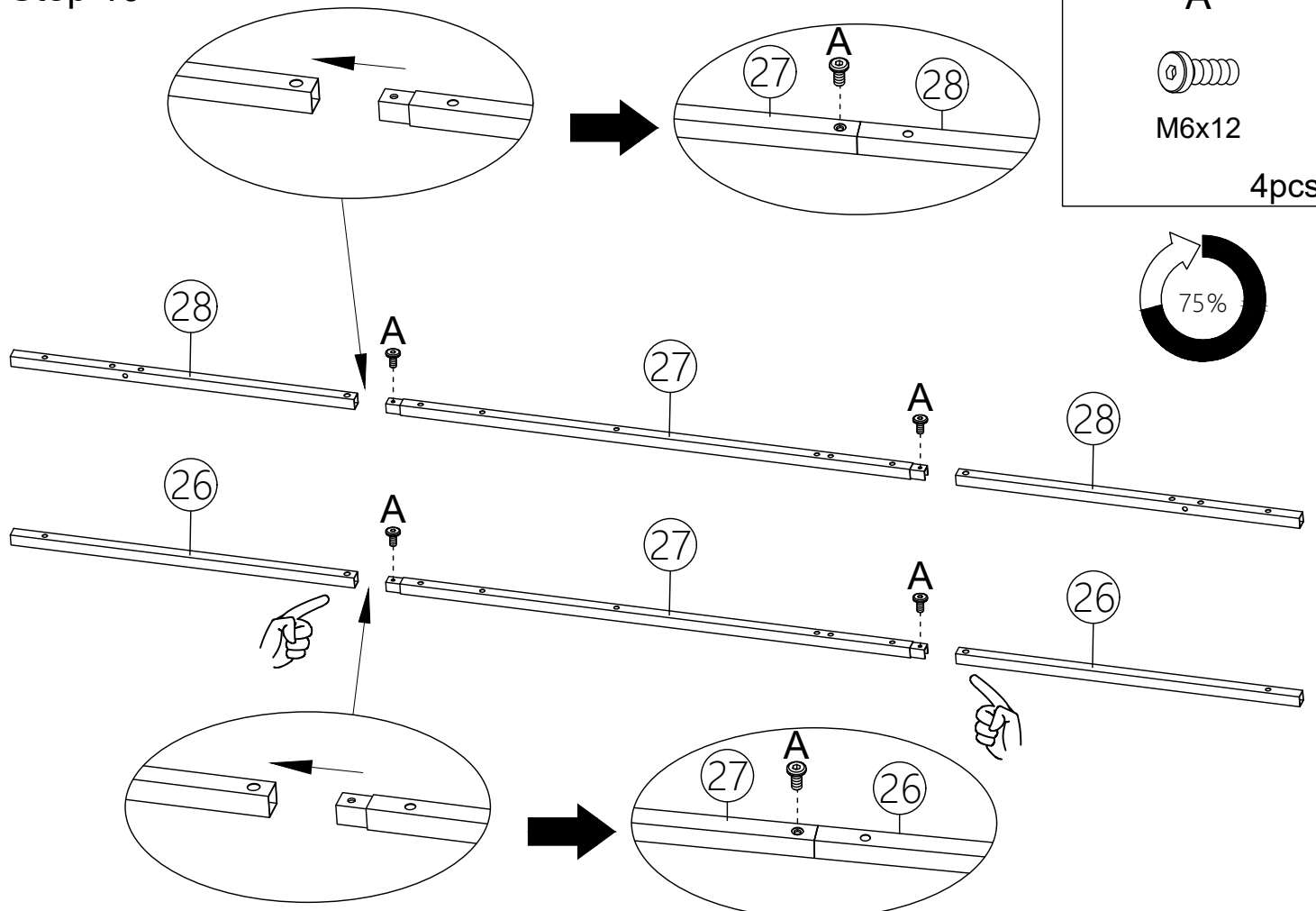


M6x12

4pcs



Step 10

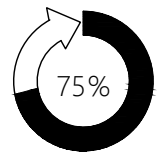


A

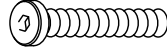

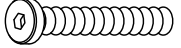


M6x12

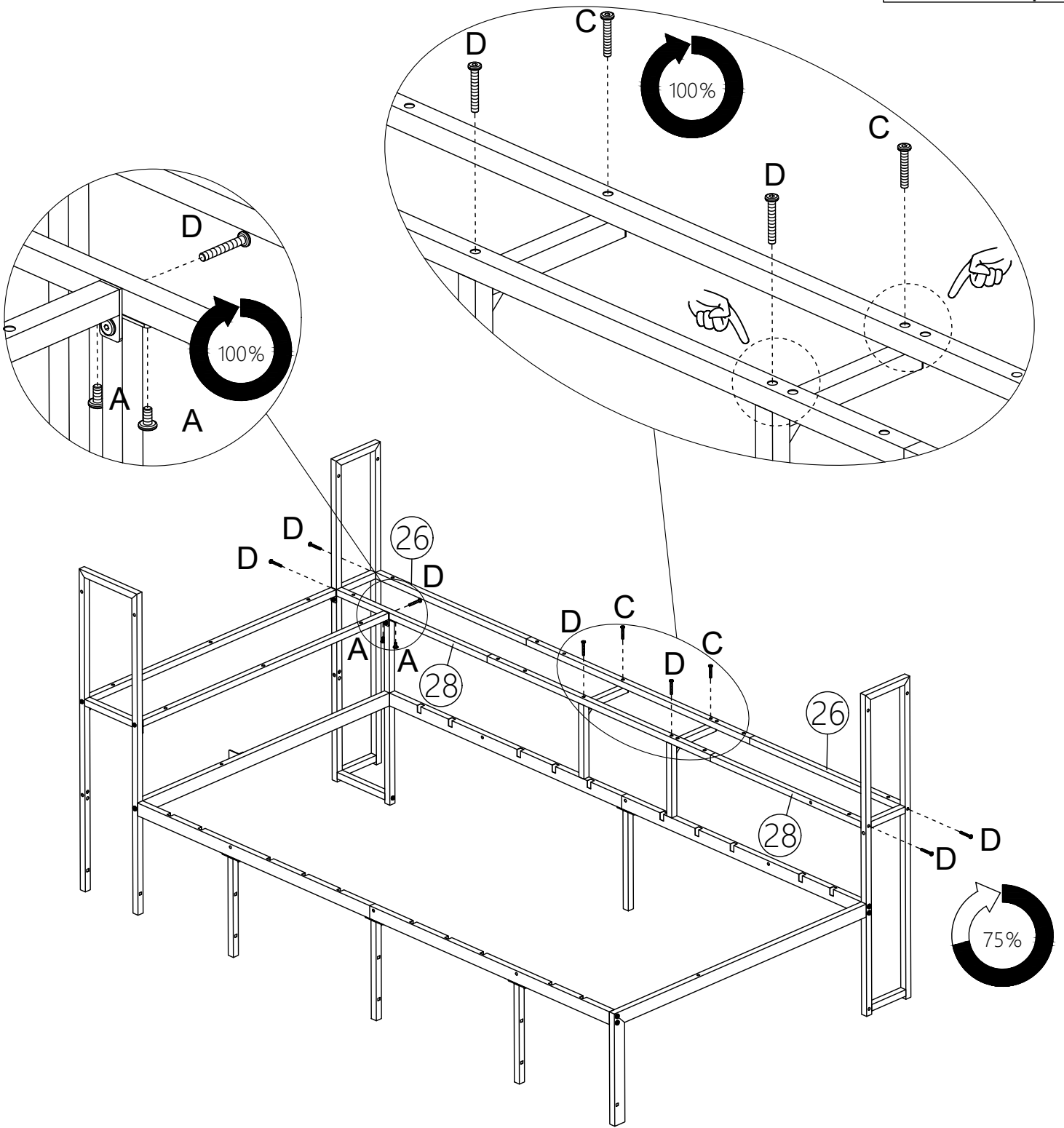
4pcs



Step 11

C  M6x35 2pcs	A  M6x12 2pcs
D  M6x40 7pcs	

The screw faces downward.



Step 12

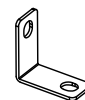
A



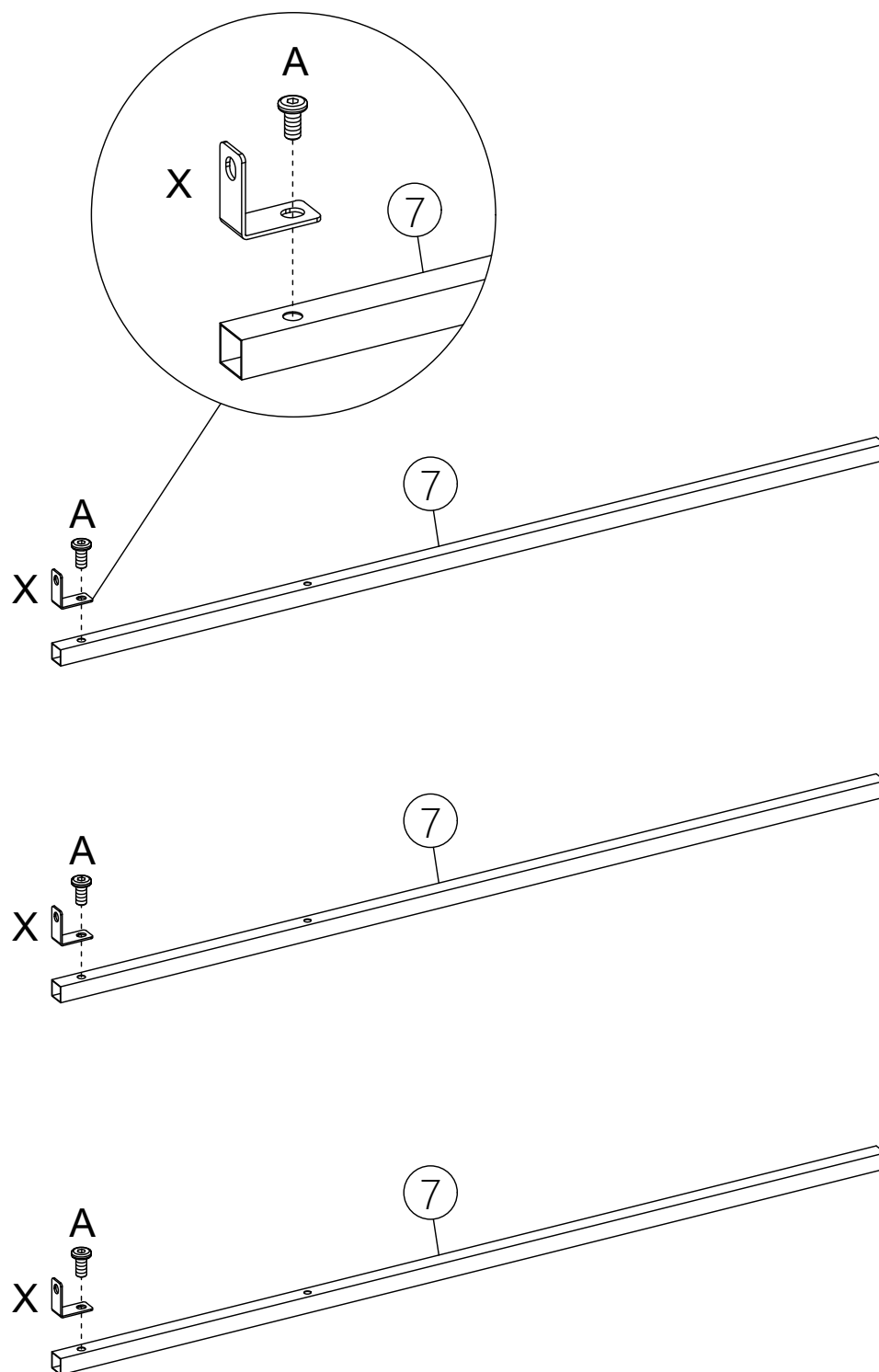
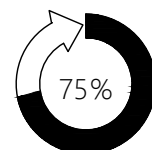
M6x12

3pcs

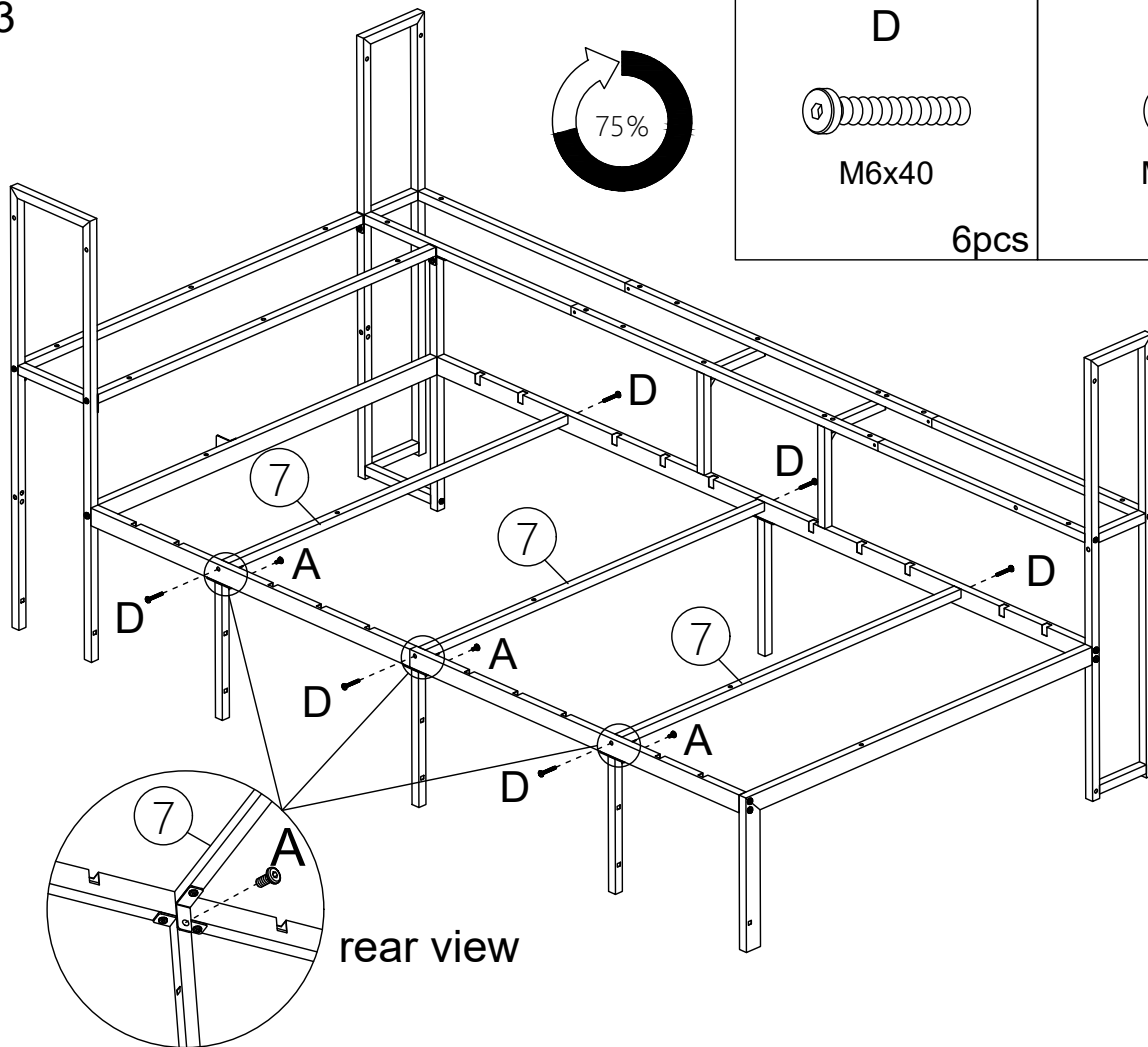
X



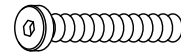
3pcs



Step 13



D



M6x40

6pcs

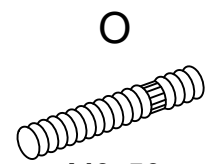
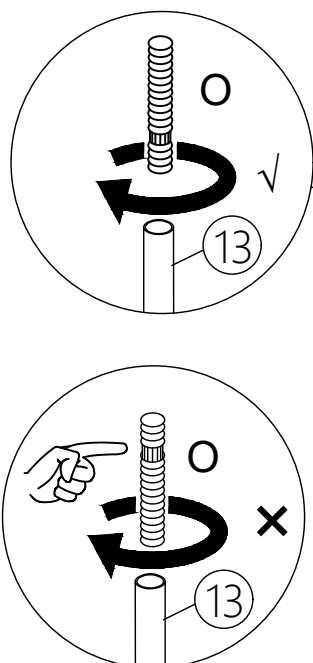
A



M6x12

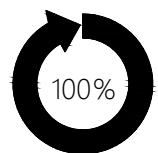
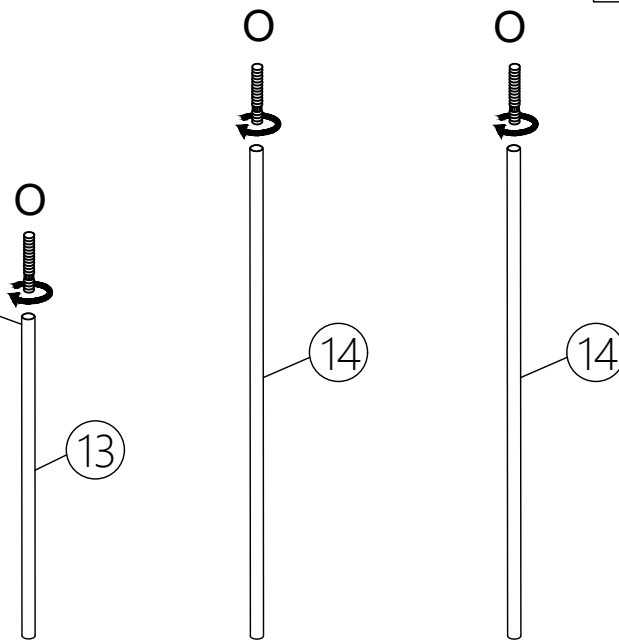
3pcs

Step 14



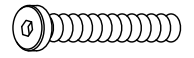
M6x50

3pcs



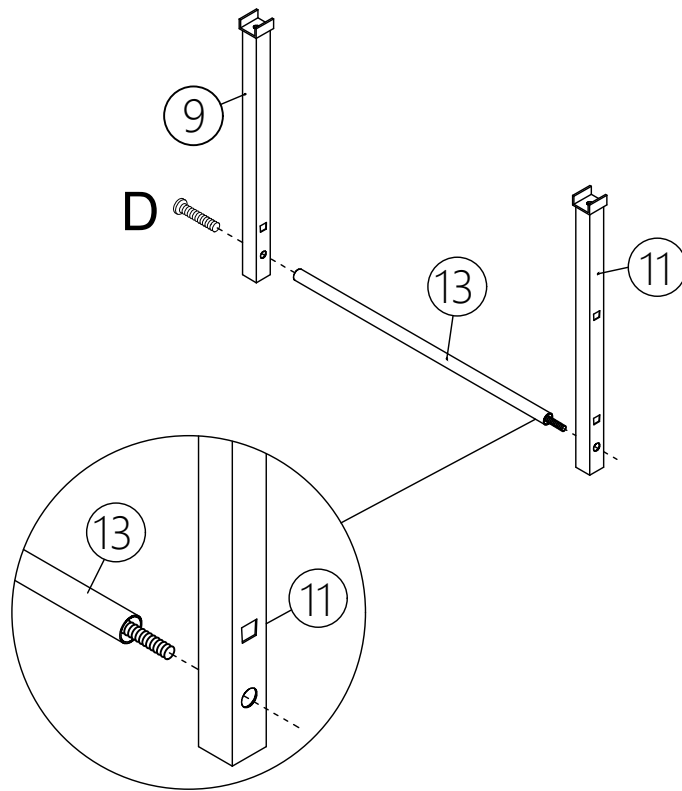
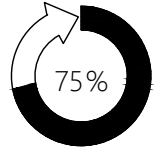
Step 15

D

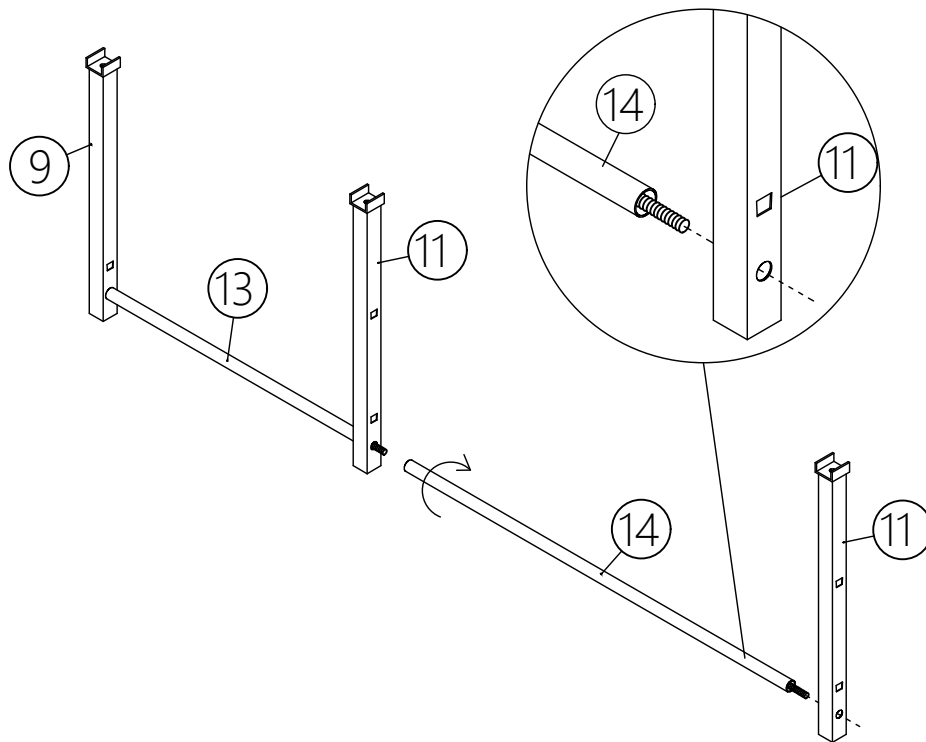
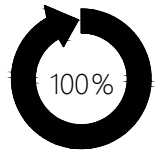


M6x40

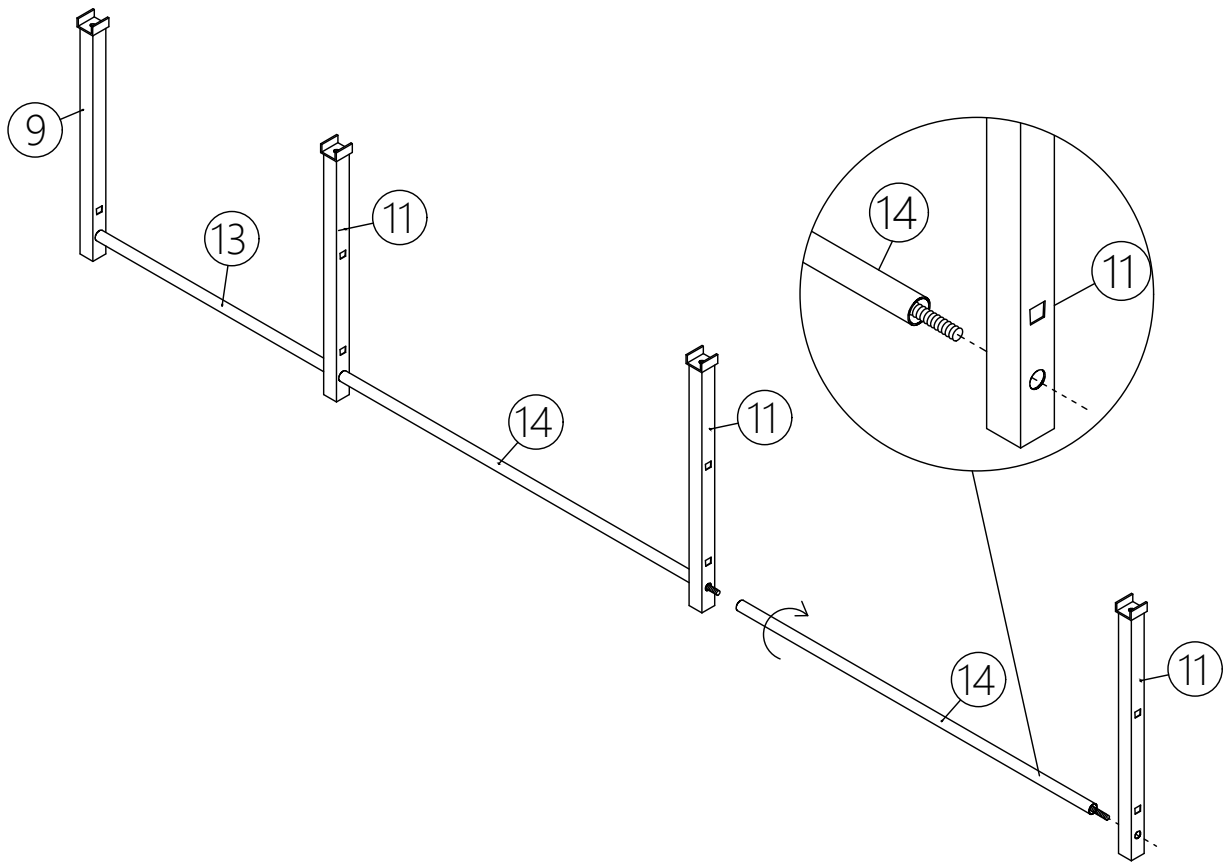
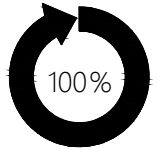
1pc



Step 16

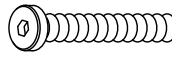


Step 17



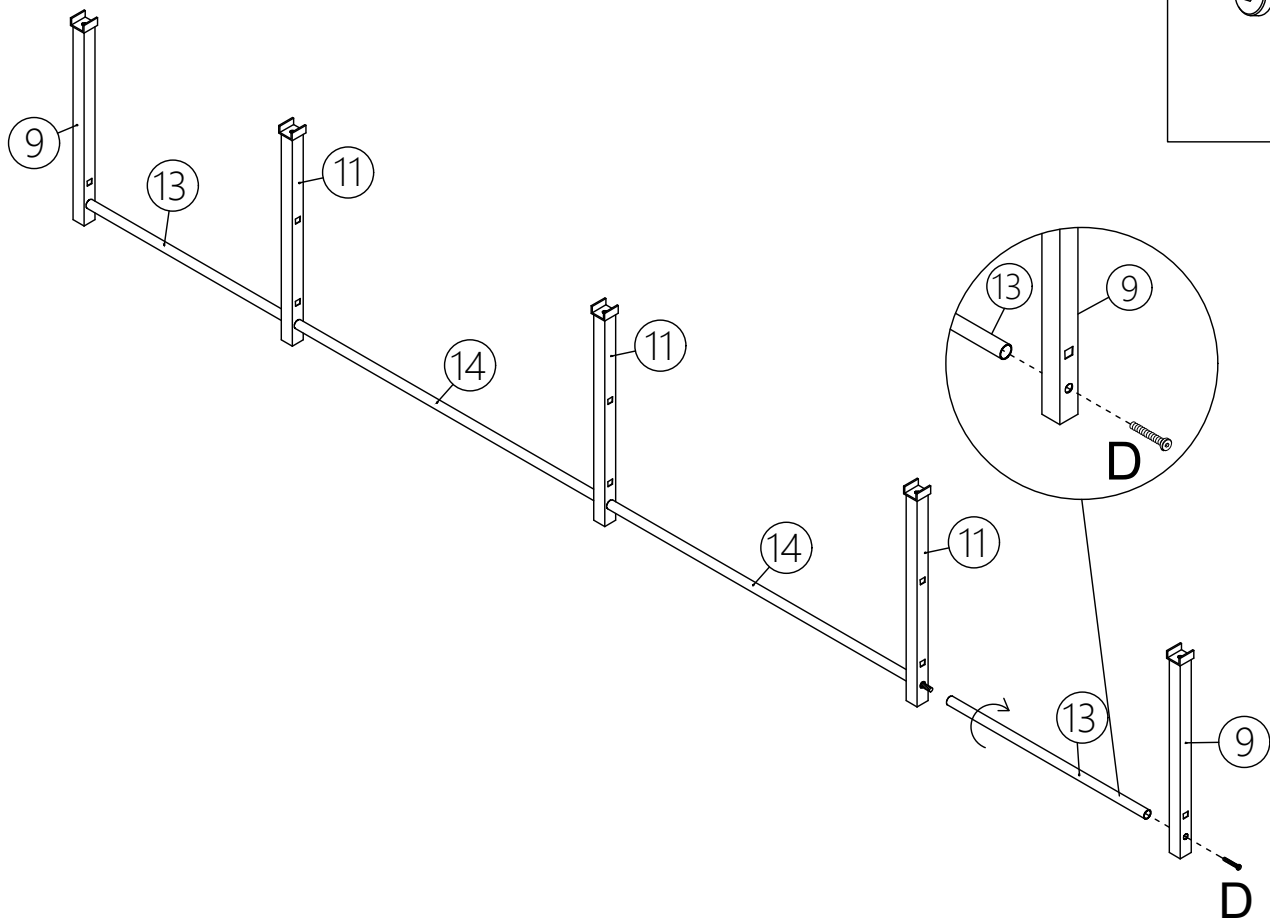
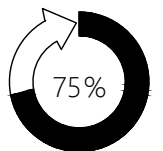
Step 18

D

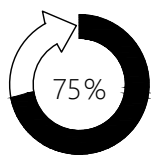


M6x40

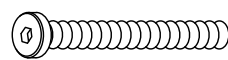
1pc



Step 19



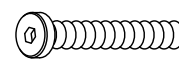
E



M6x60

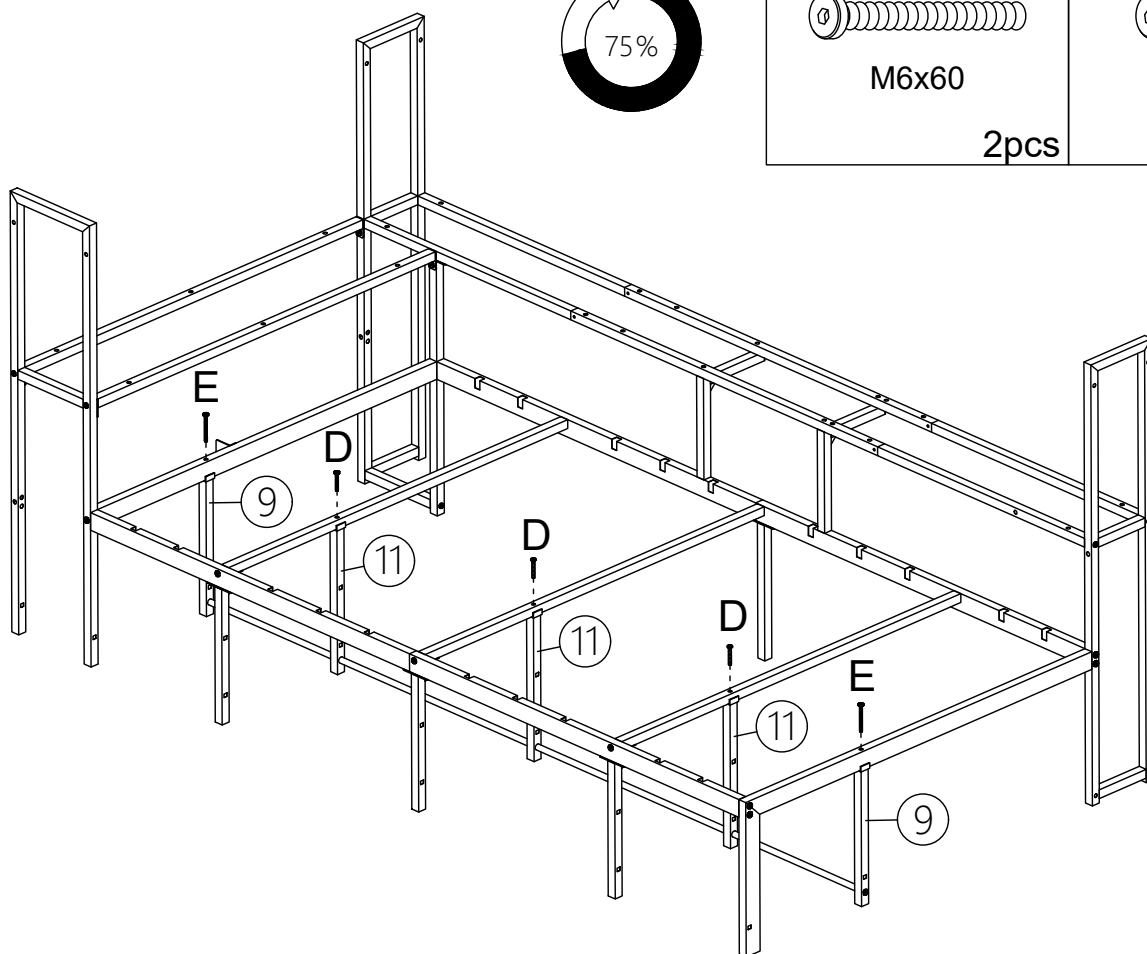
2pcs

D

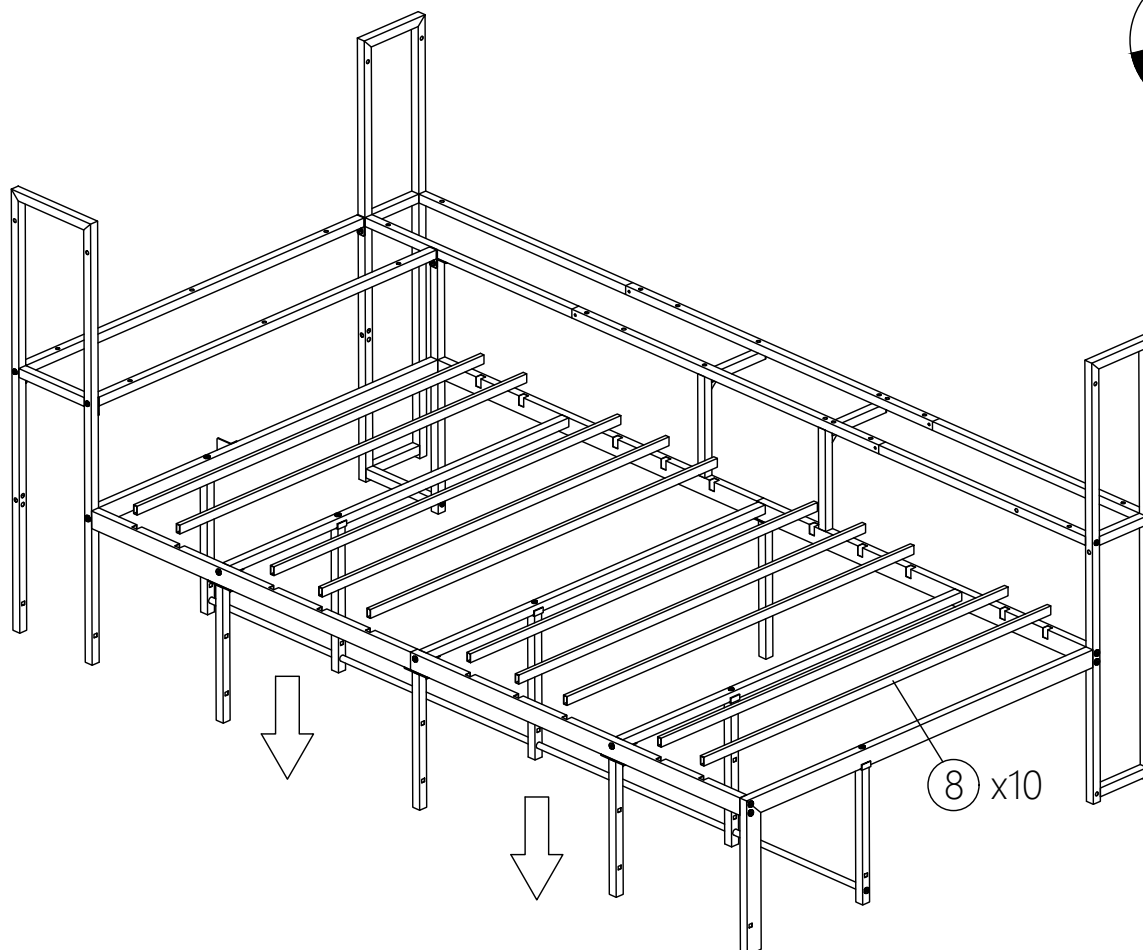
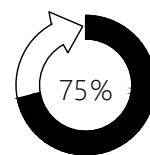


M6x40

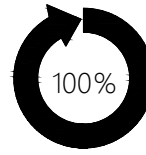
3pcs



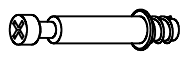
Step 20



Step 21

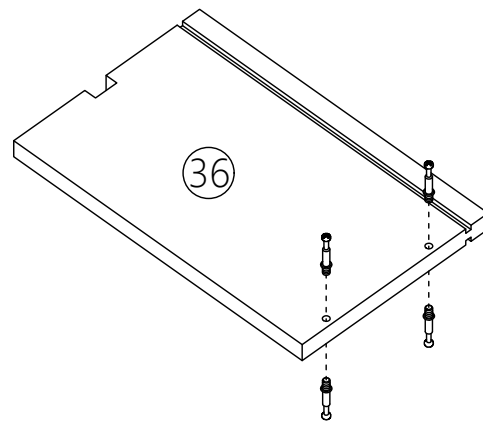
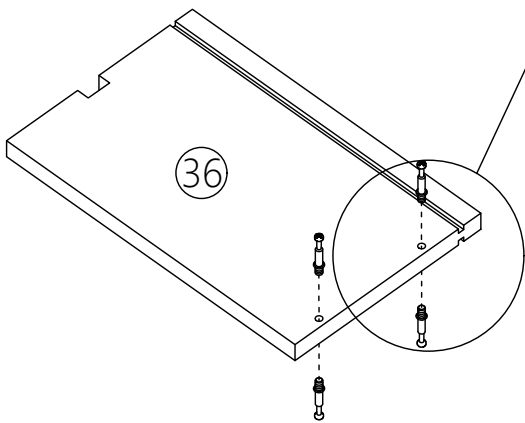
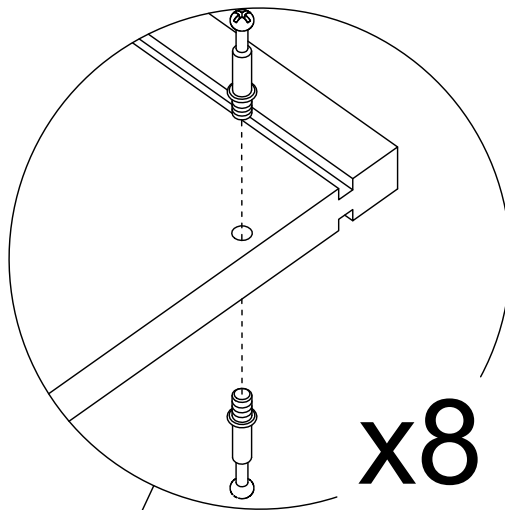
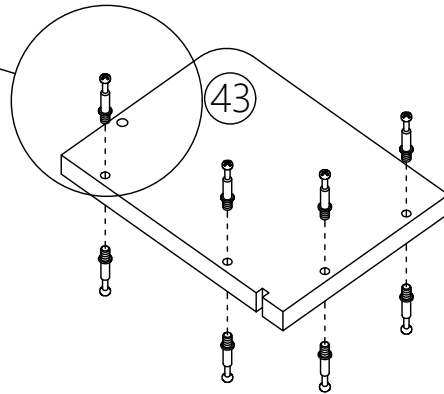
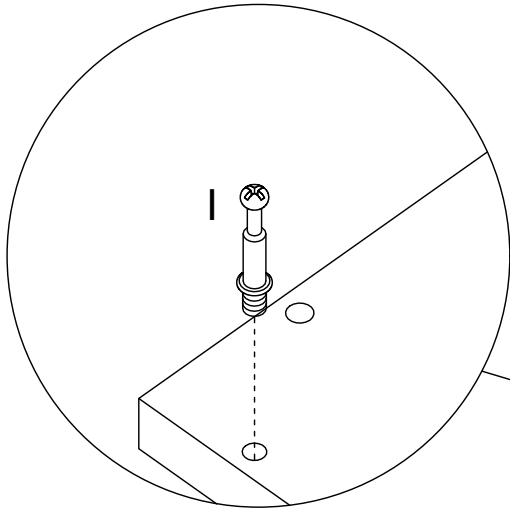


I

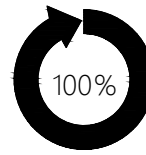


Ø6x35

16pcs



Step 22

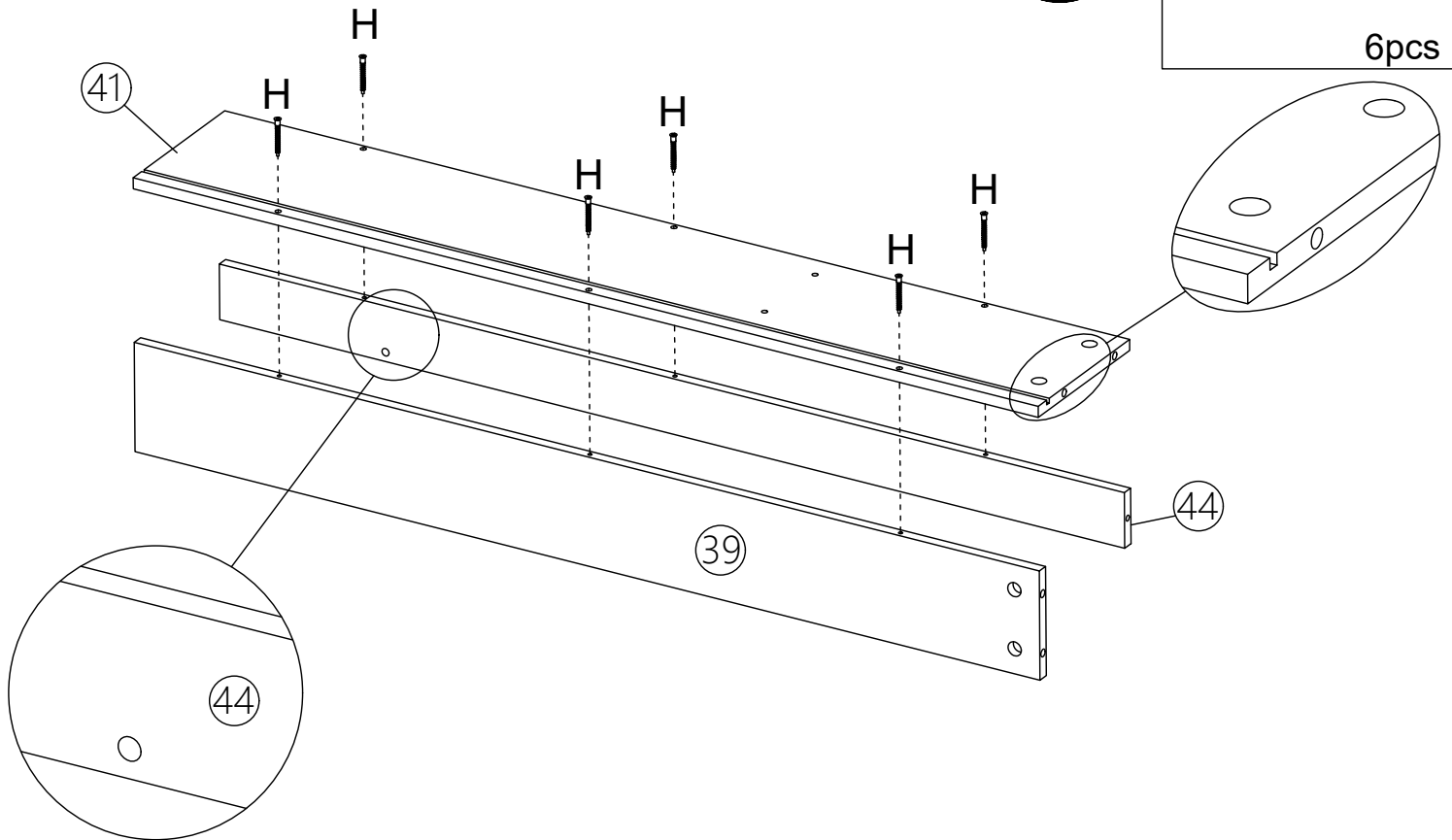


H

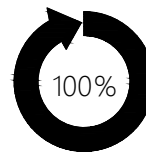


M5x38

6pcs



Step 23

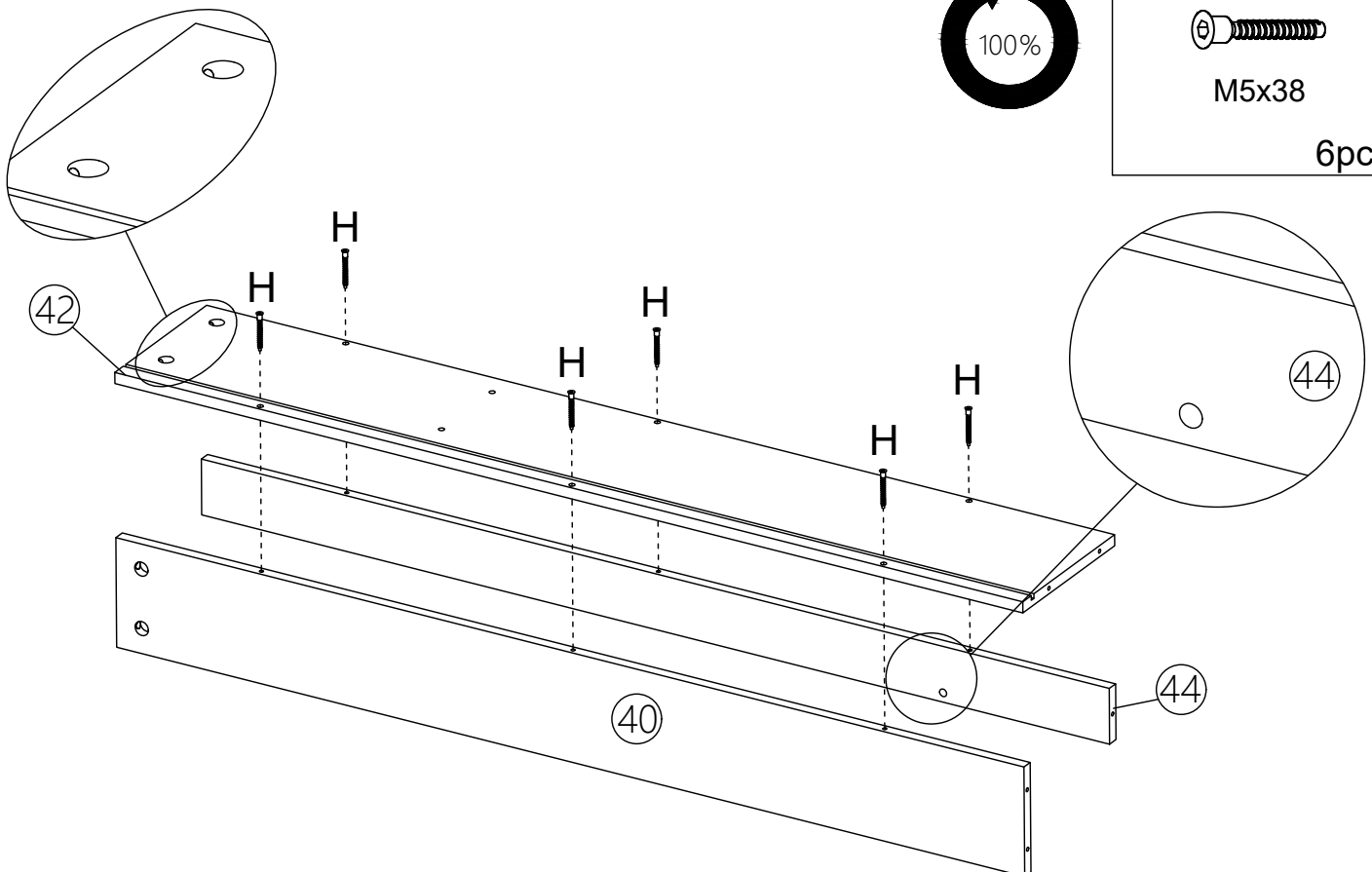


H

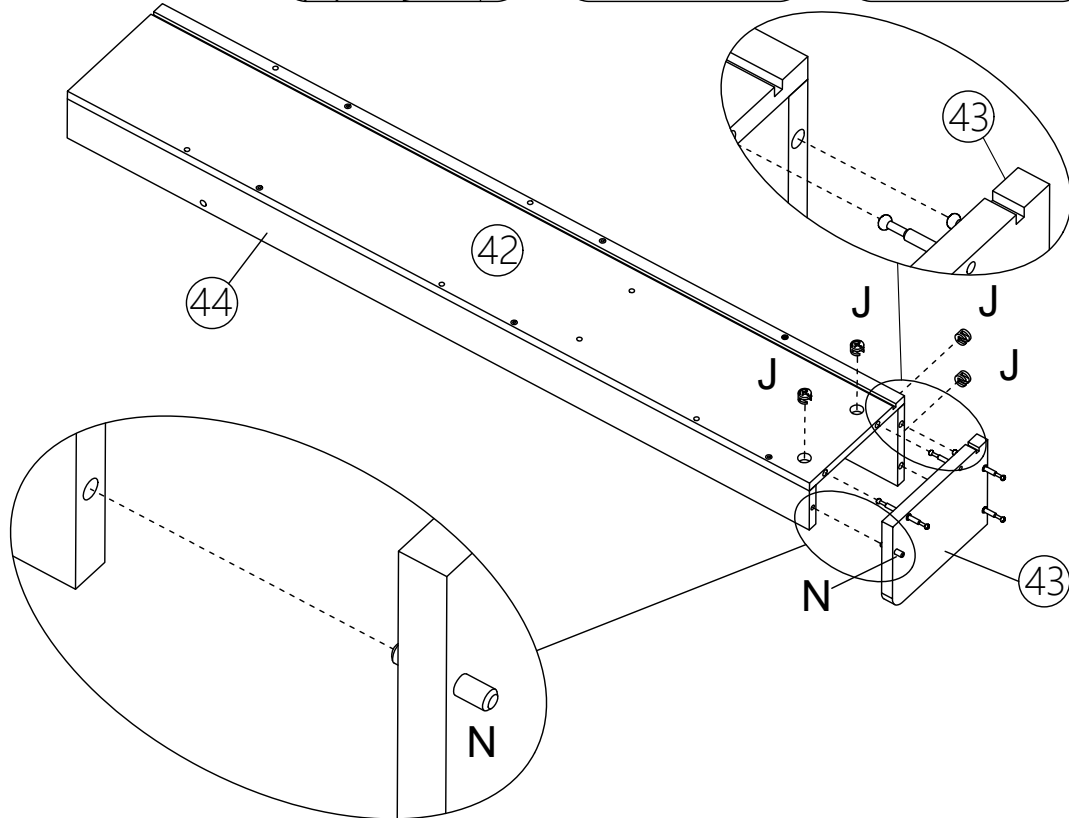
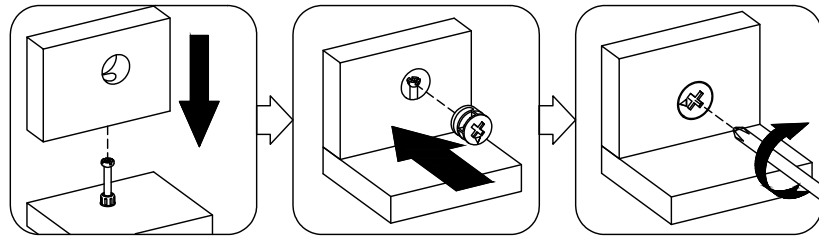


M5x38

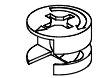
6pcs



Step 24



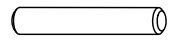
J



Ø15x10

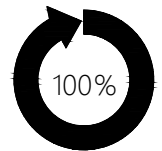
4pcs

N

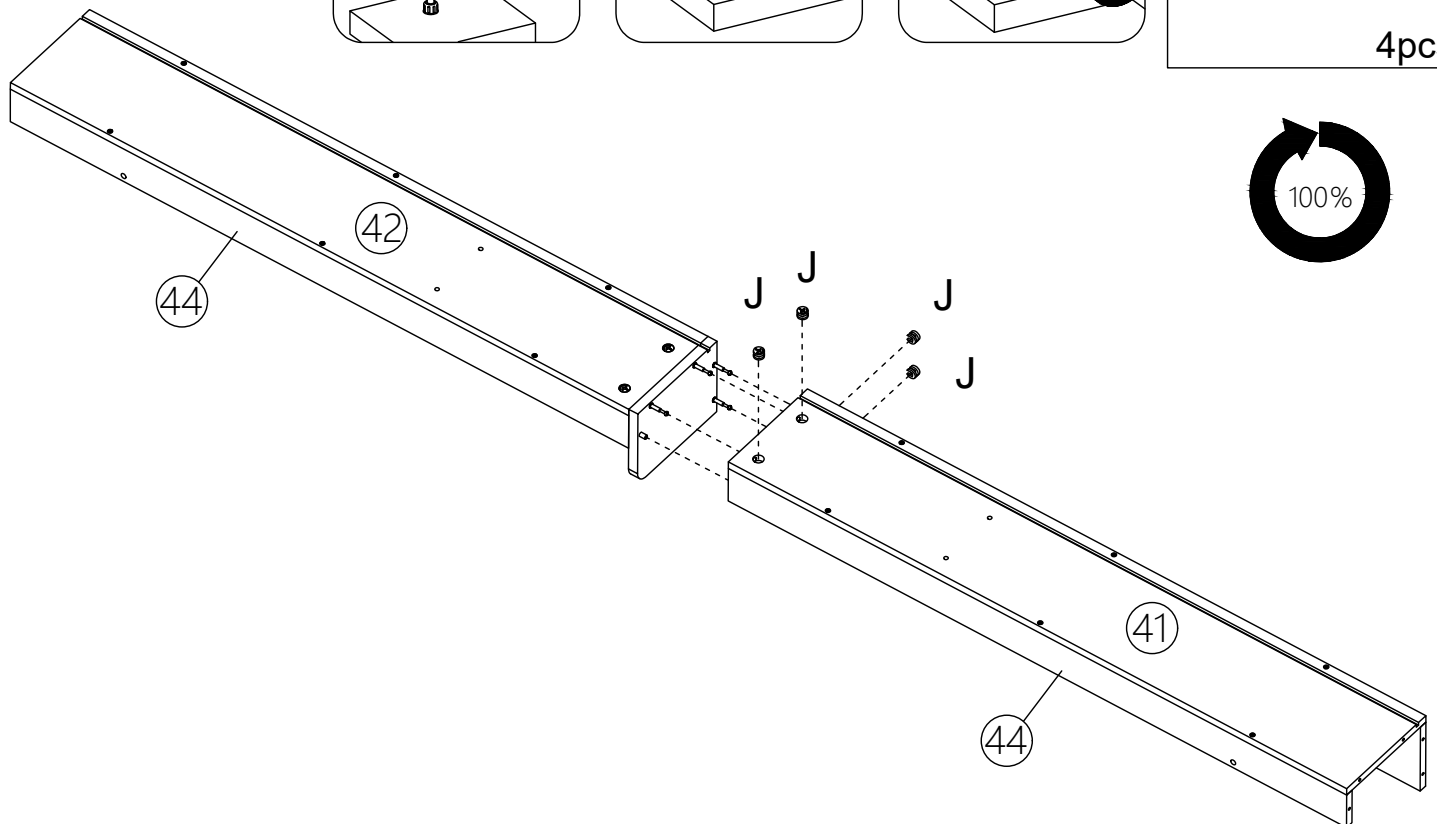
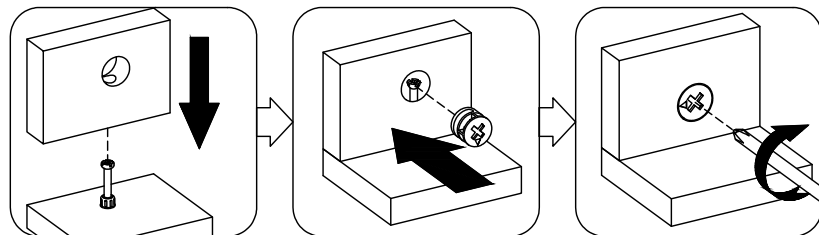


Ø6x60

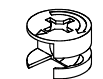
1pc



Step 25

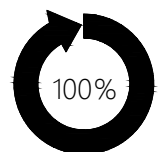


J

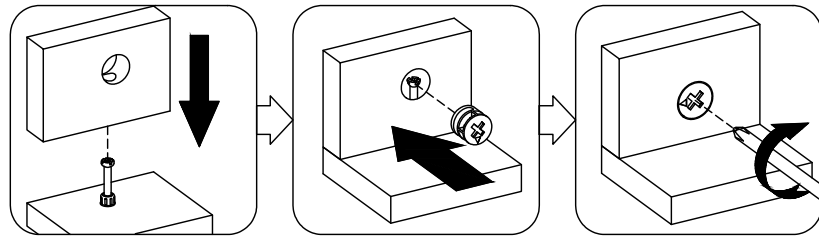


Ø15x10

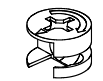
4pcs



Step 26

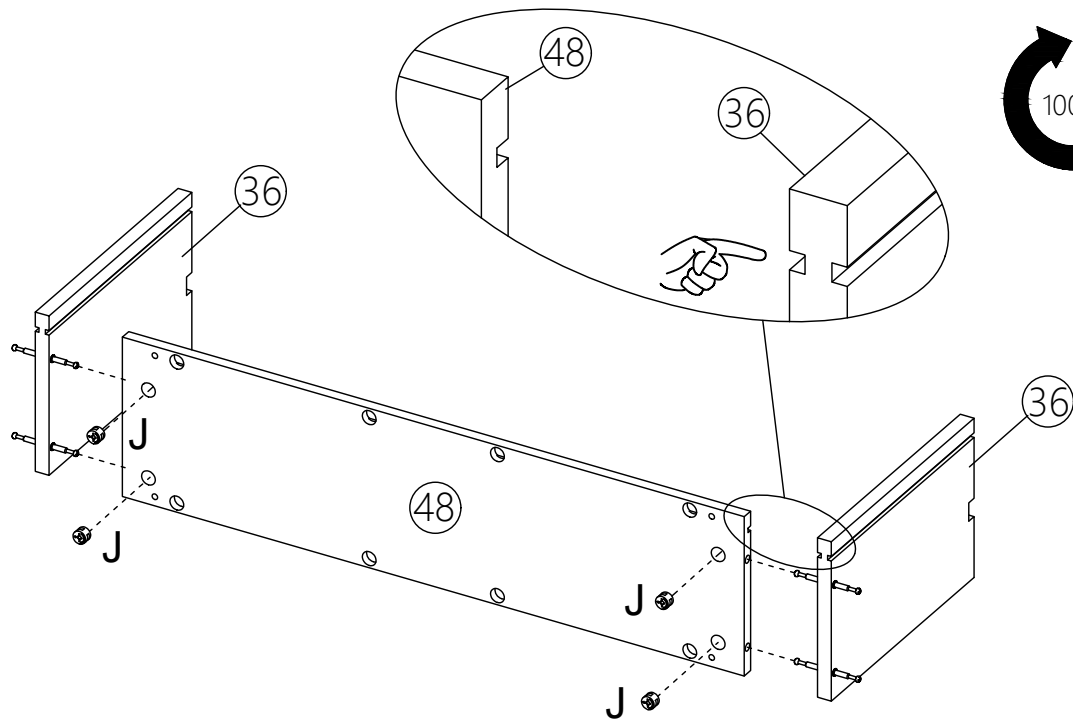


J

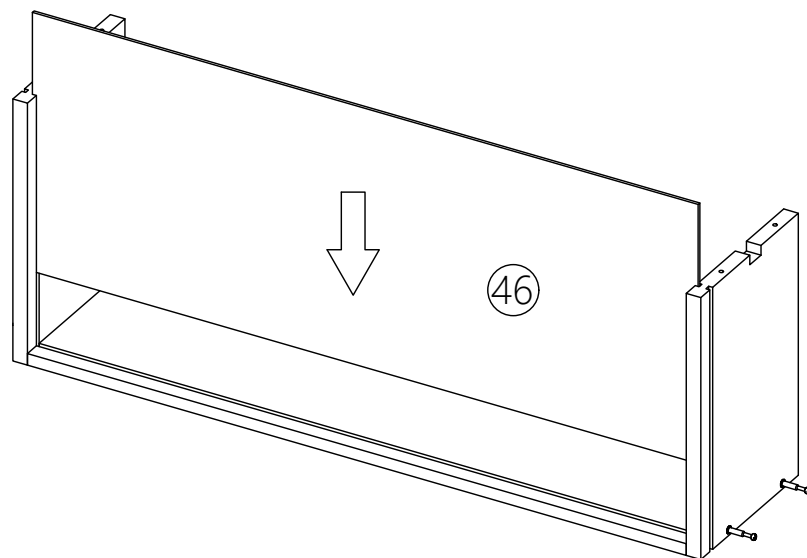


Ø15x10

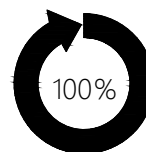
4pcs



Step 27



Step 28



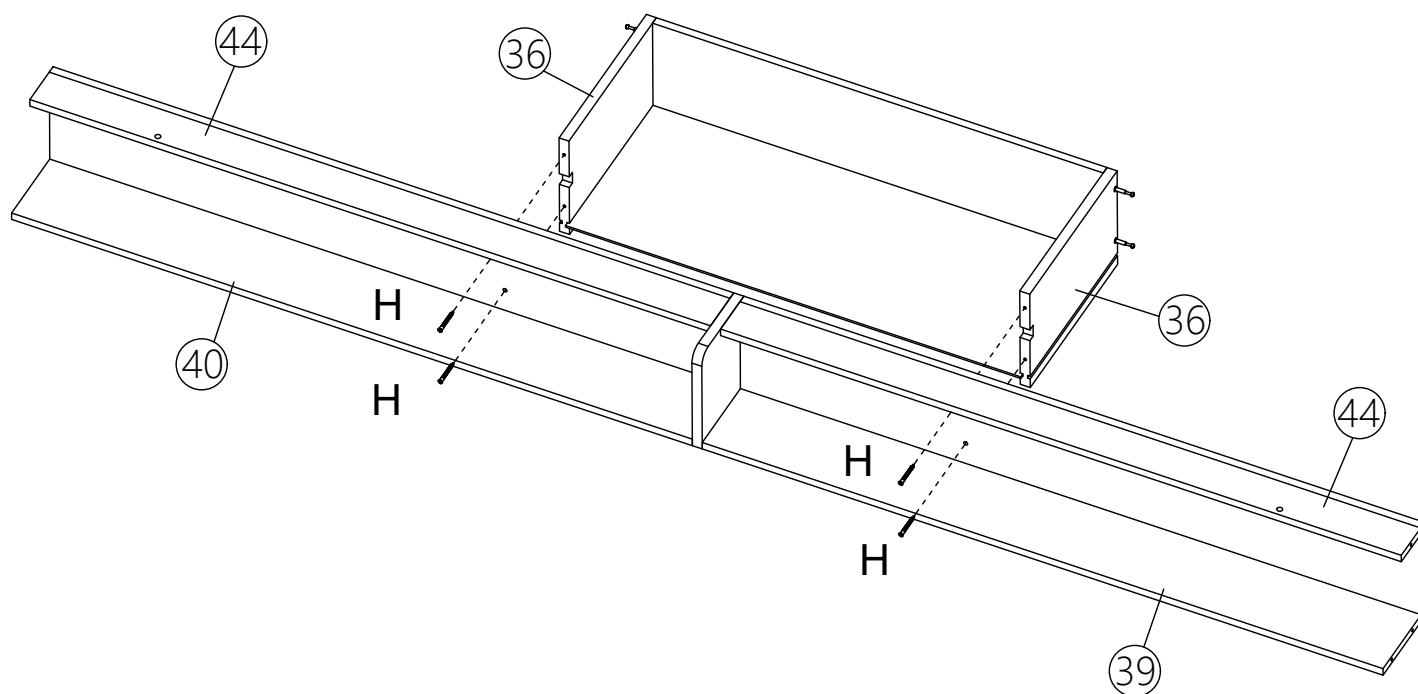
H



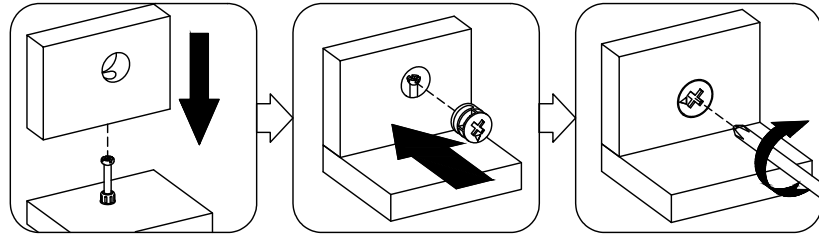
M5x38

4pcs

Pay attention to the direction of the parts

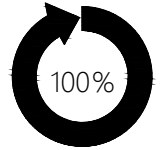


Step 29

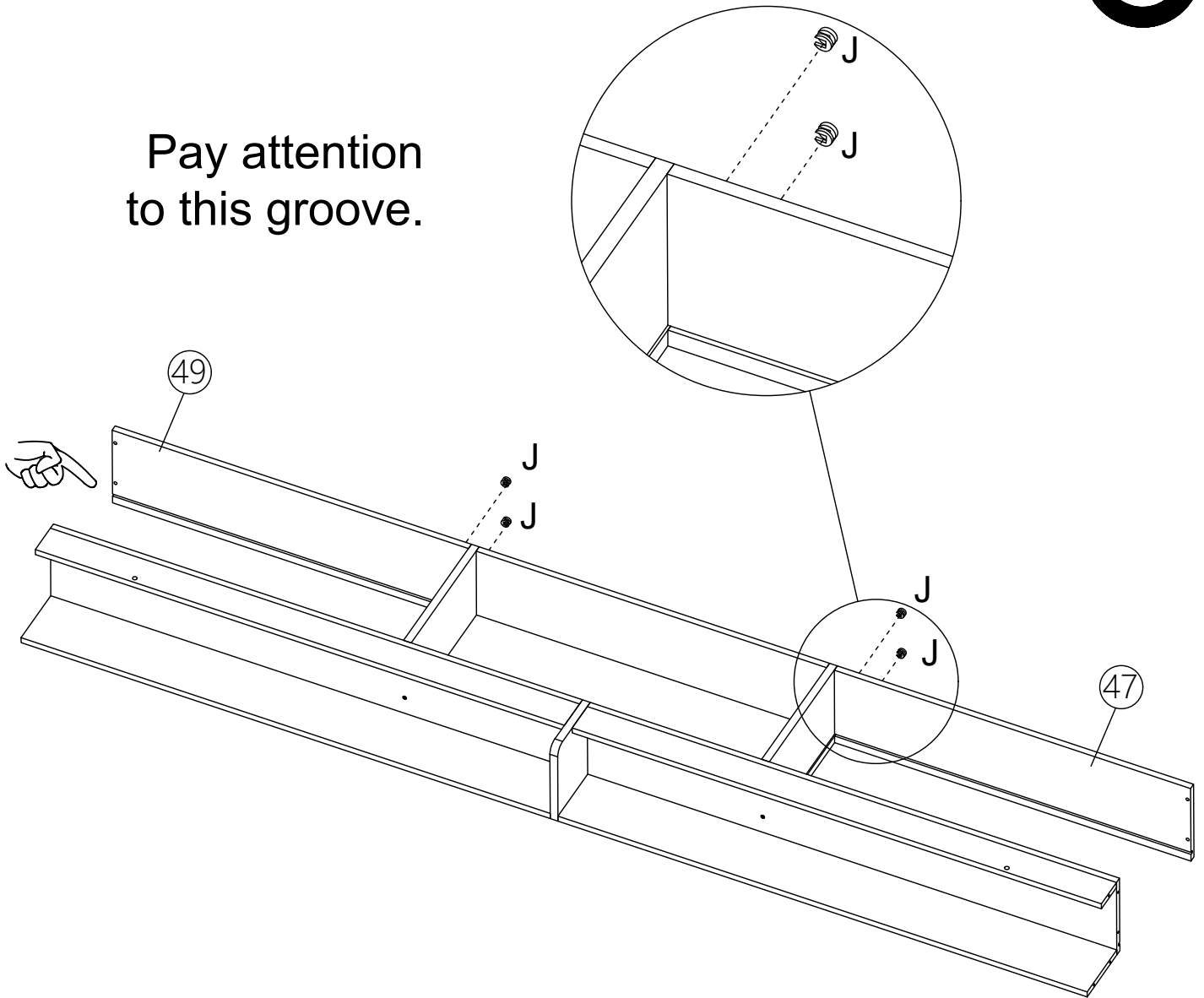


J
Ø15x10

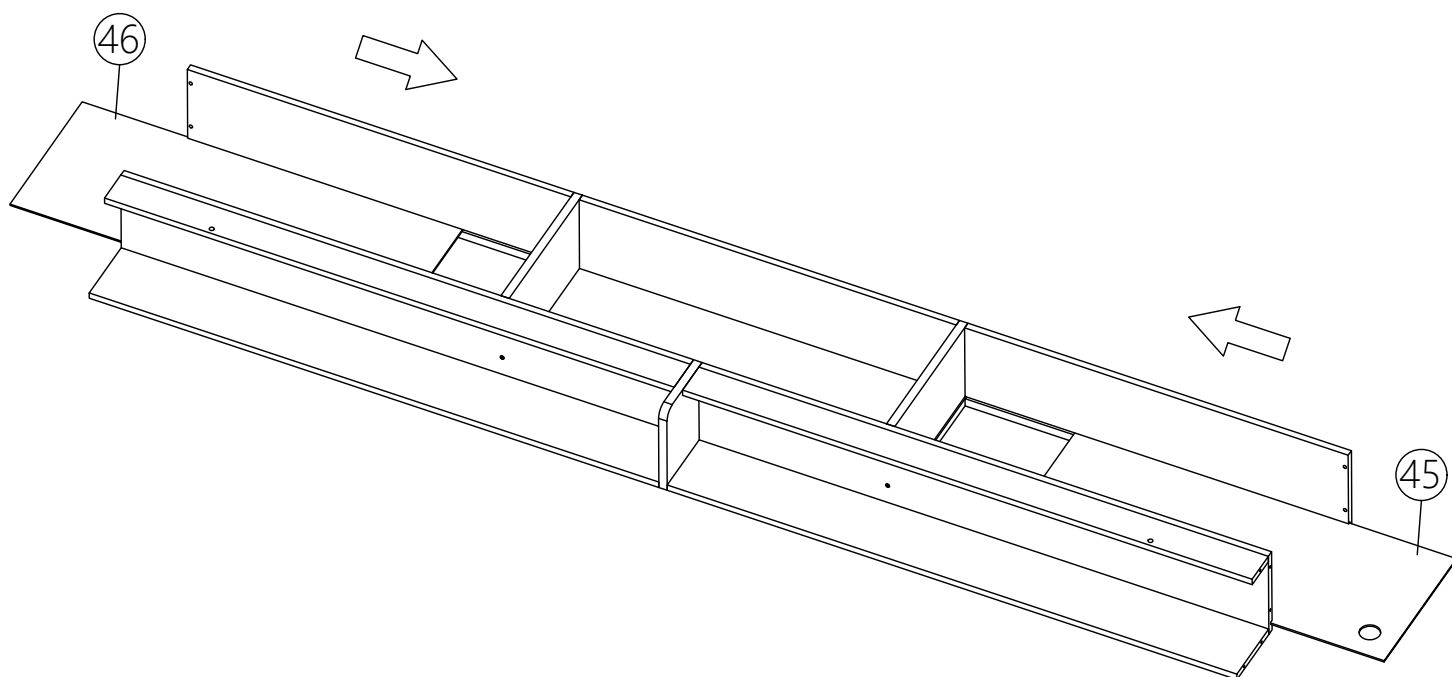
4pcs



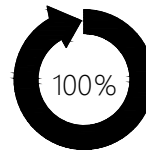
Pay attention
to this groove.



Step 30



Step 31

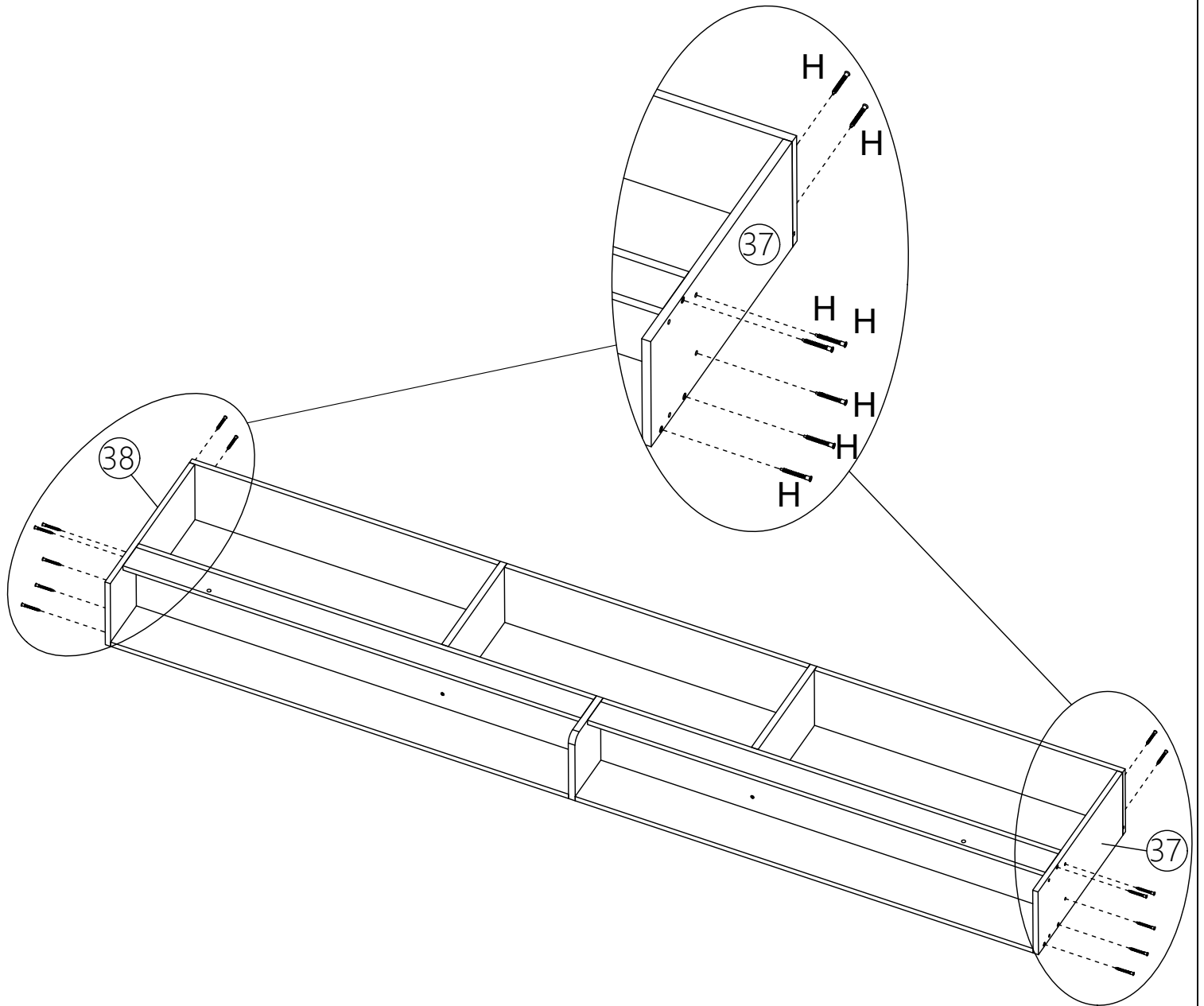


H

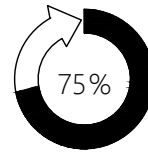


M5x38

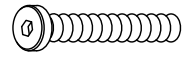
14pcs



Step 32

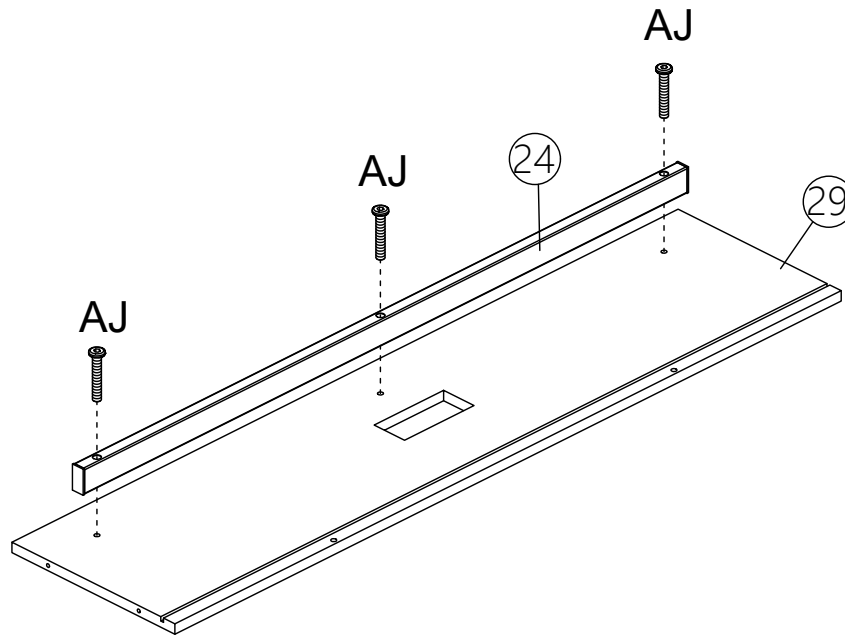


AJ

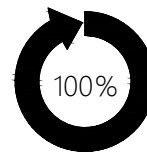


M6x38

3pcs



Step 33



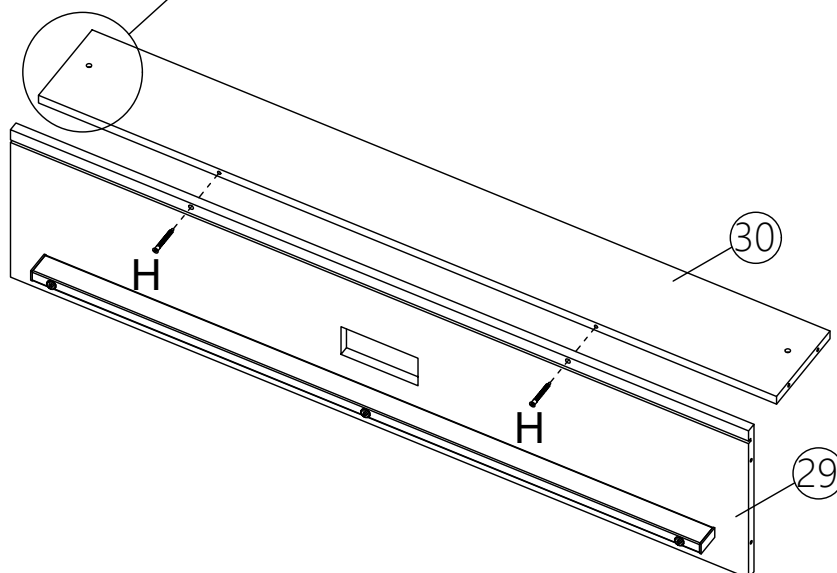
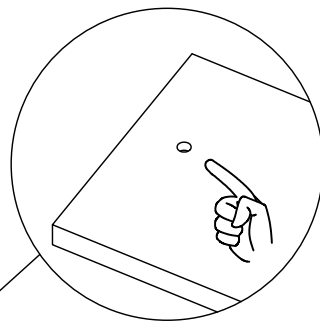
H



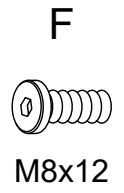
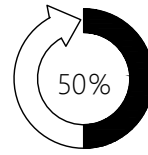
M5x38

2pcs

Pay attention to this hole.

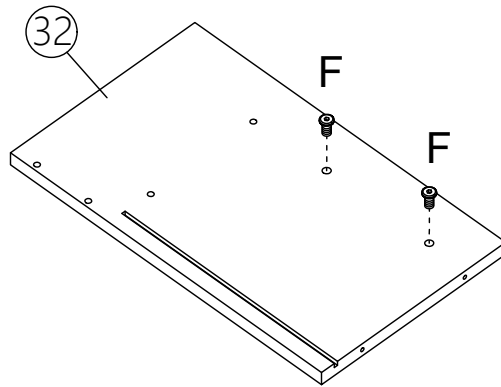
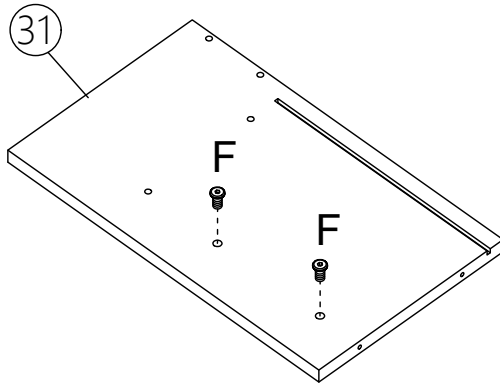


Step 34

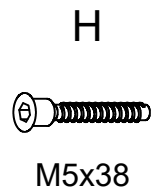
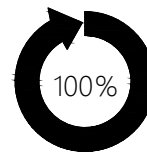


4pcs

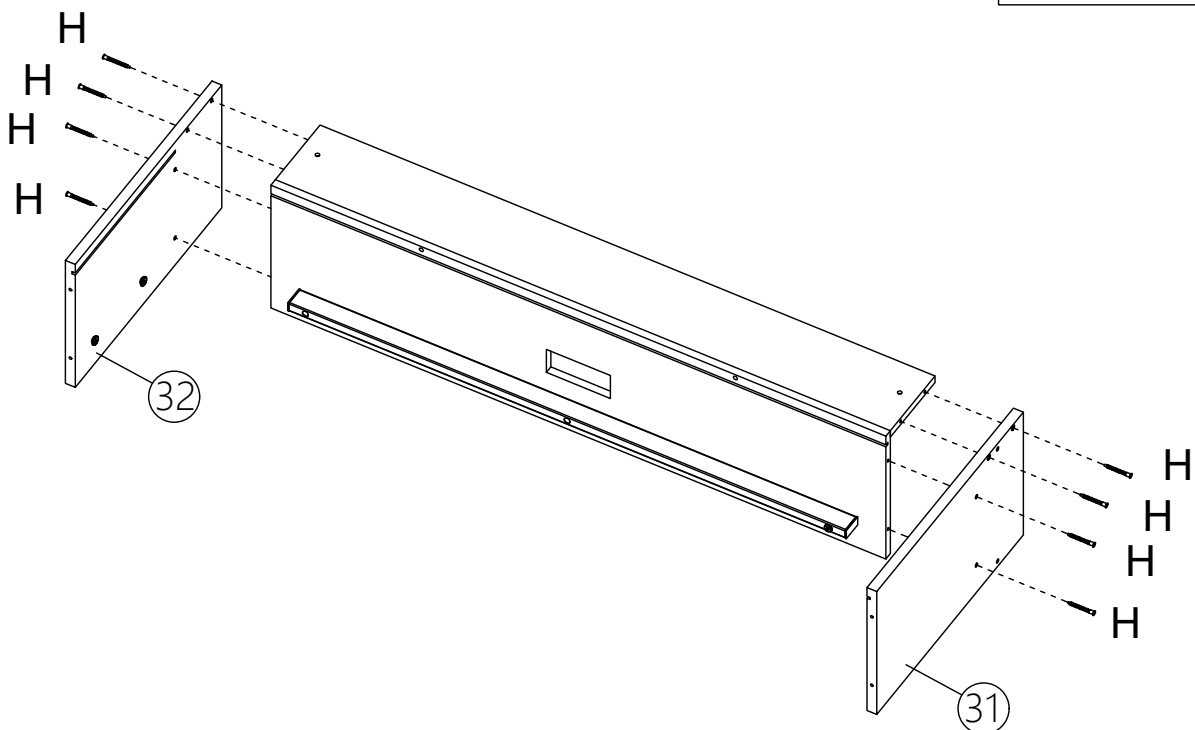
Tighten the screw by 50%



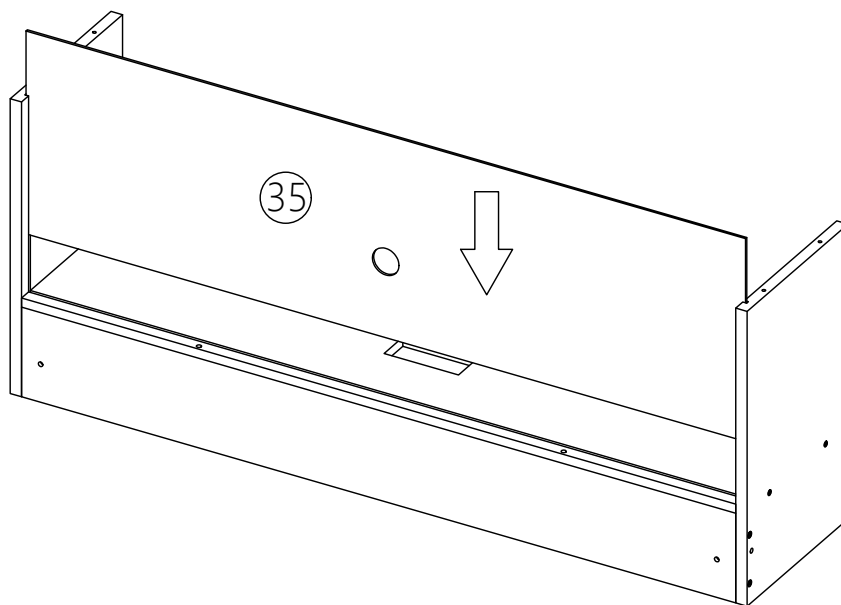
Step 35



8pcs

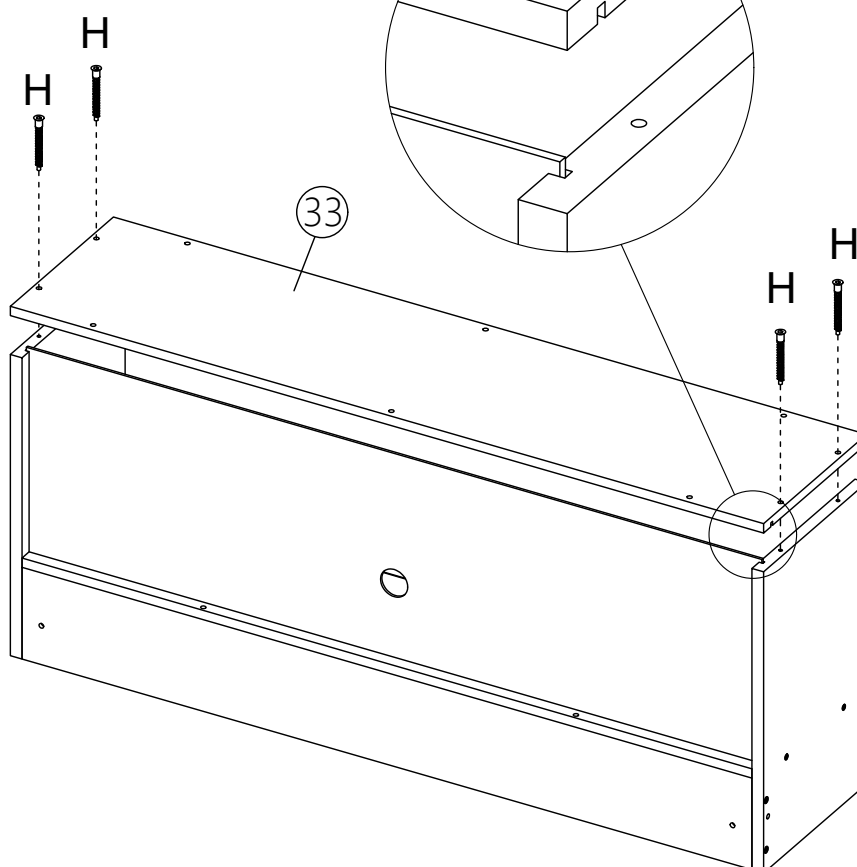


Step 36



Step 37

Pay attention to this groove.

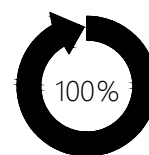


H



M5x38

4pcs



Step 38

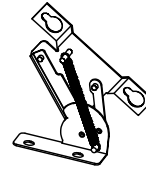
A



M6x12

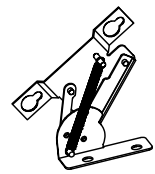
4pcs

AH

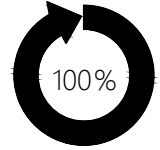
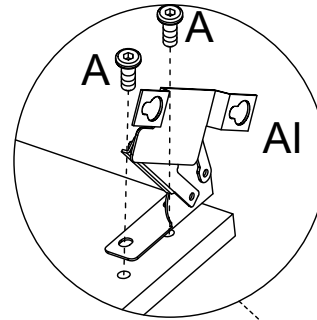
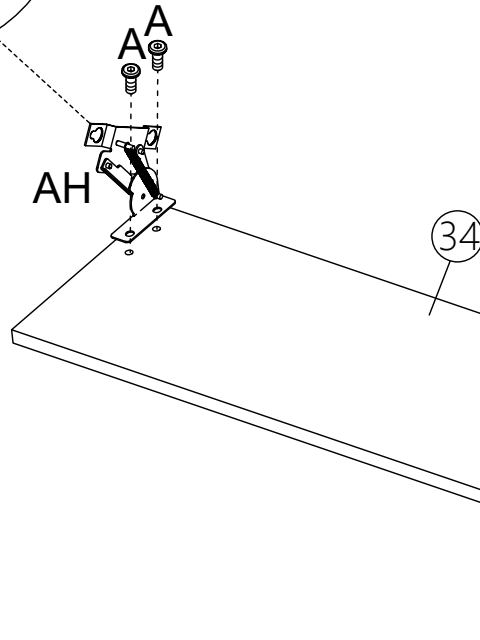
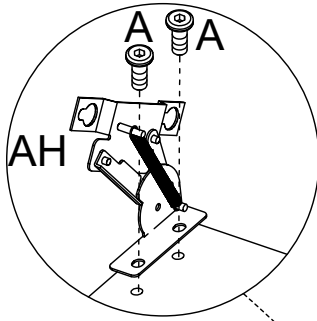


1pc

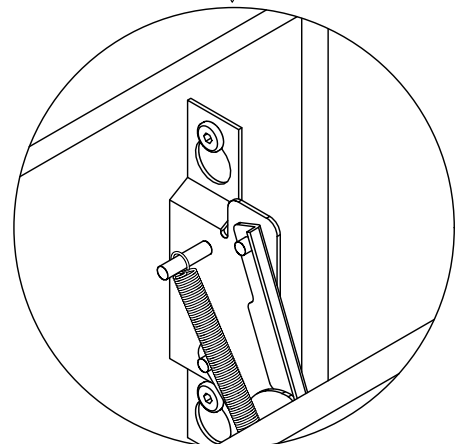
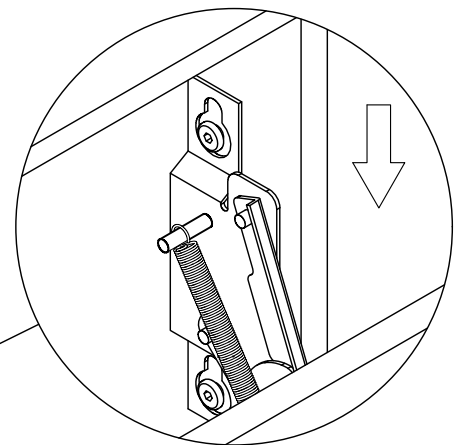
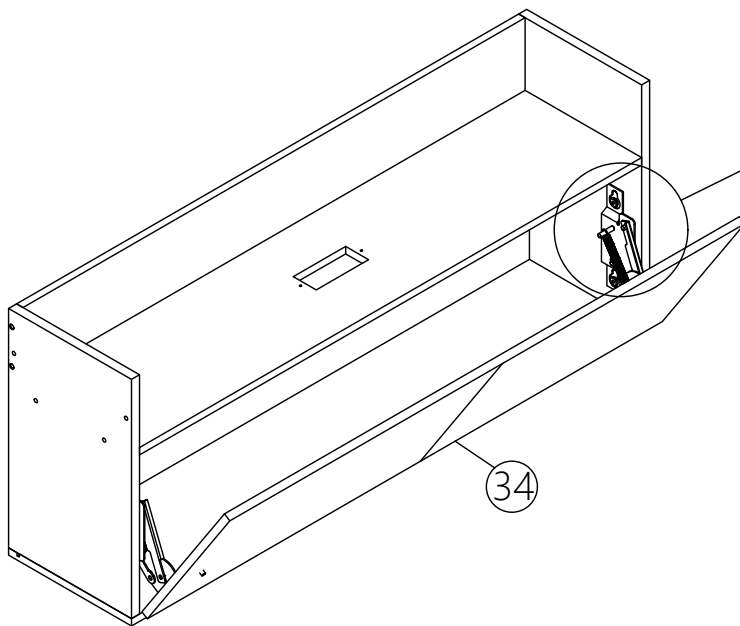
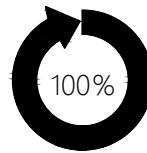
AI



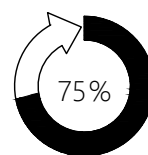
1pc



Step 39



Step 40

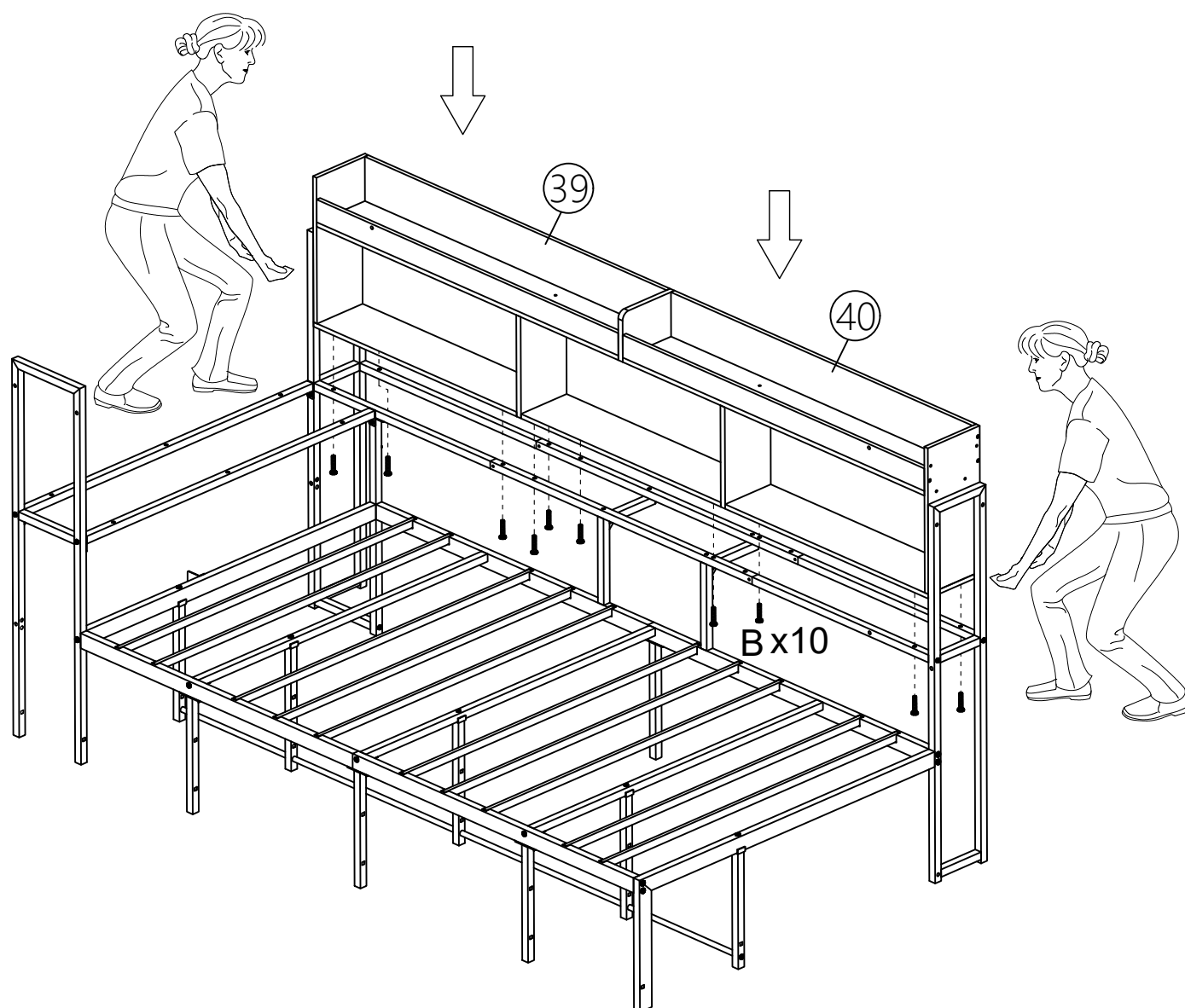


B

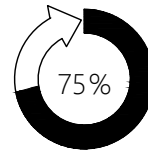


M6x28

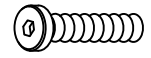
10pcs



Step 41

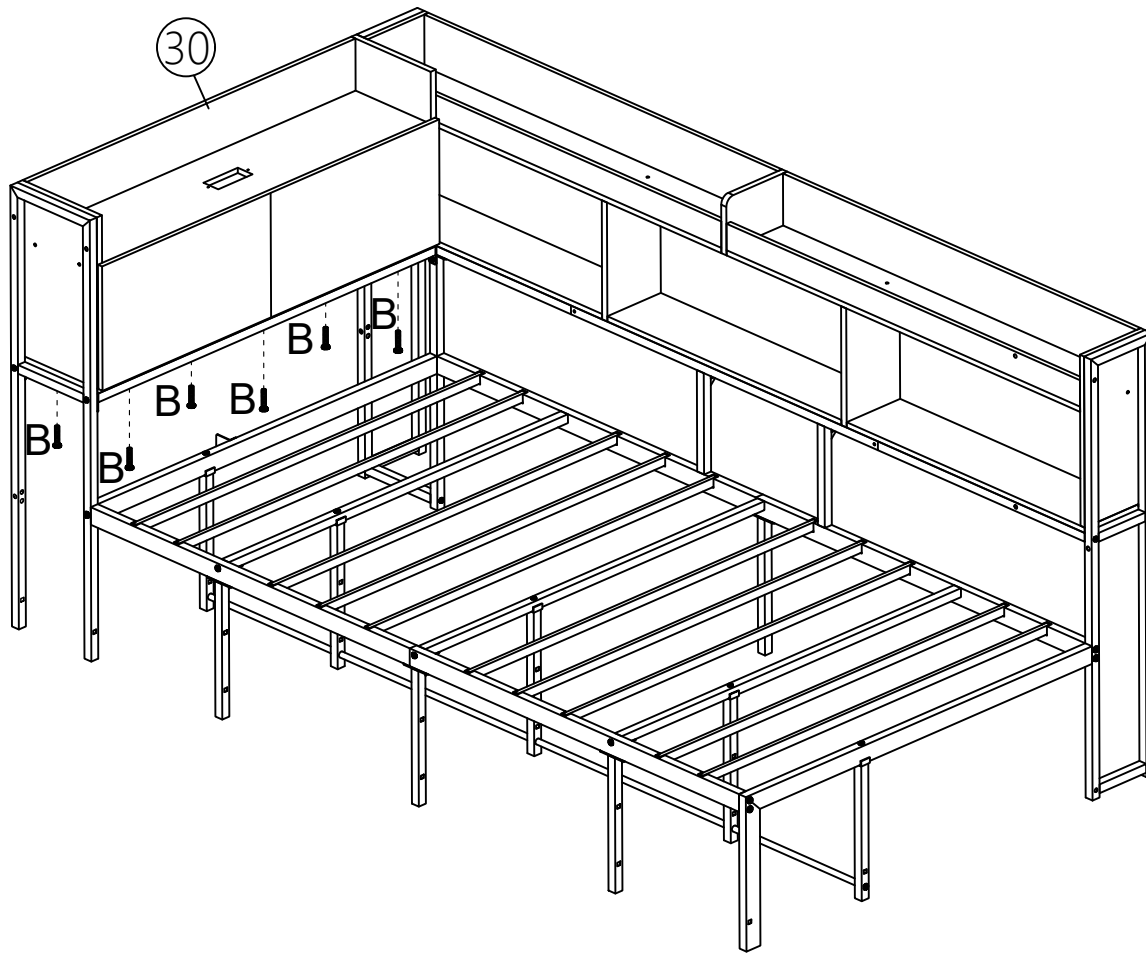


B

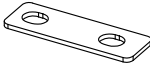

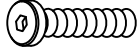



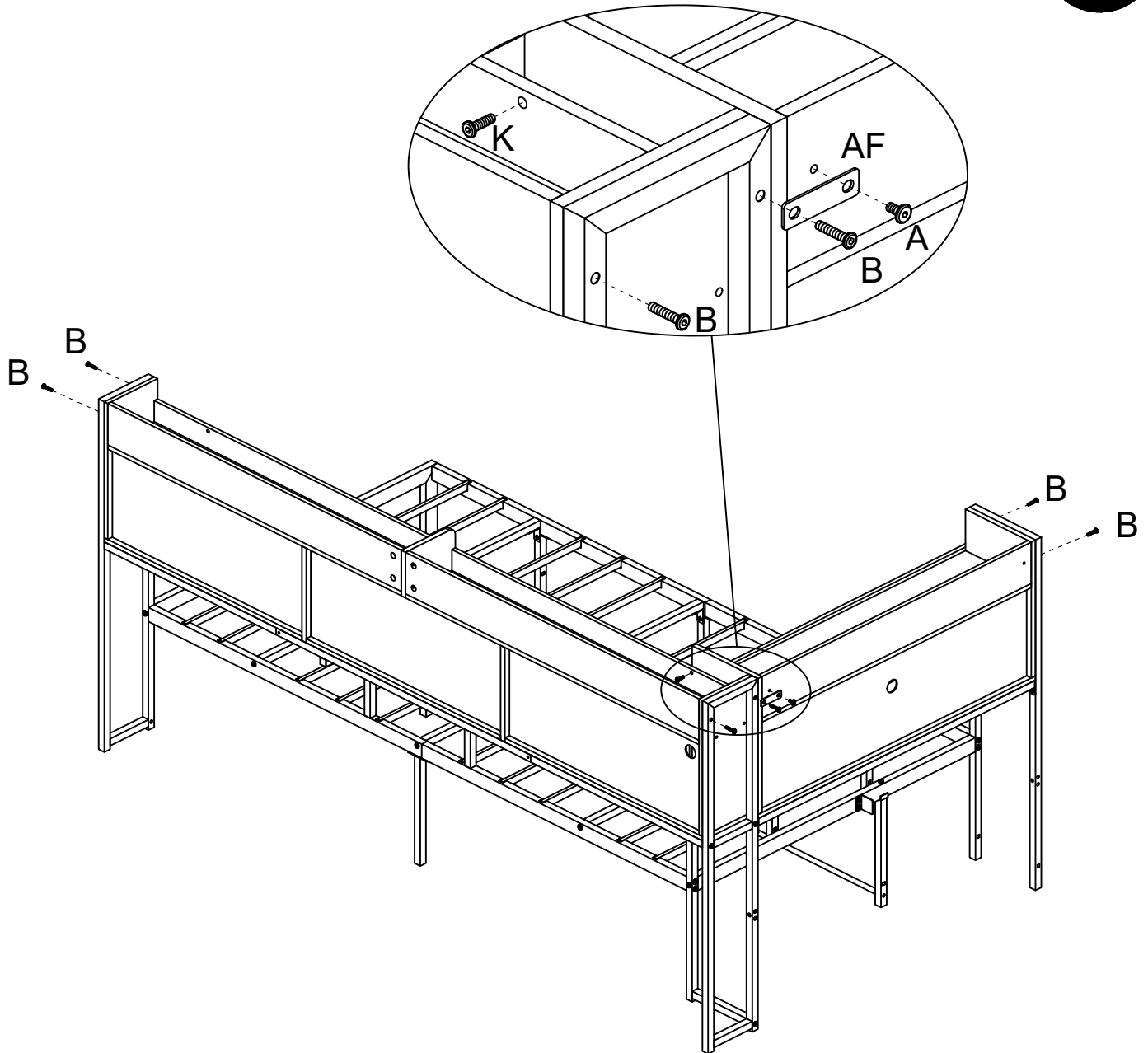
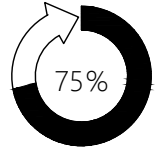
M6x28

6pcs

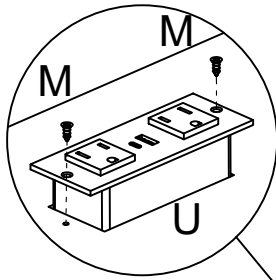


Step 42

<p>AF</p>  <p>1pc</p>	<p>K</p>  <p>M6x20</p> <p>1pc</p>	<p>B</p>  <p>M6x28</p> <p>6pcs</p>	<p>A</p>  <p>M6x12</p> <p>1pc</p>
--	--	---	--



Step 43



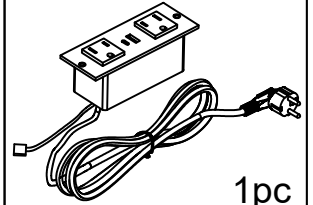
M



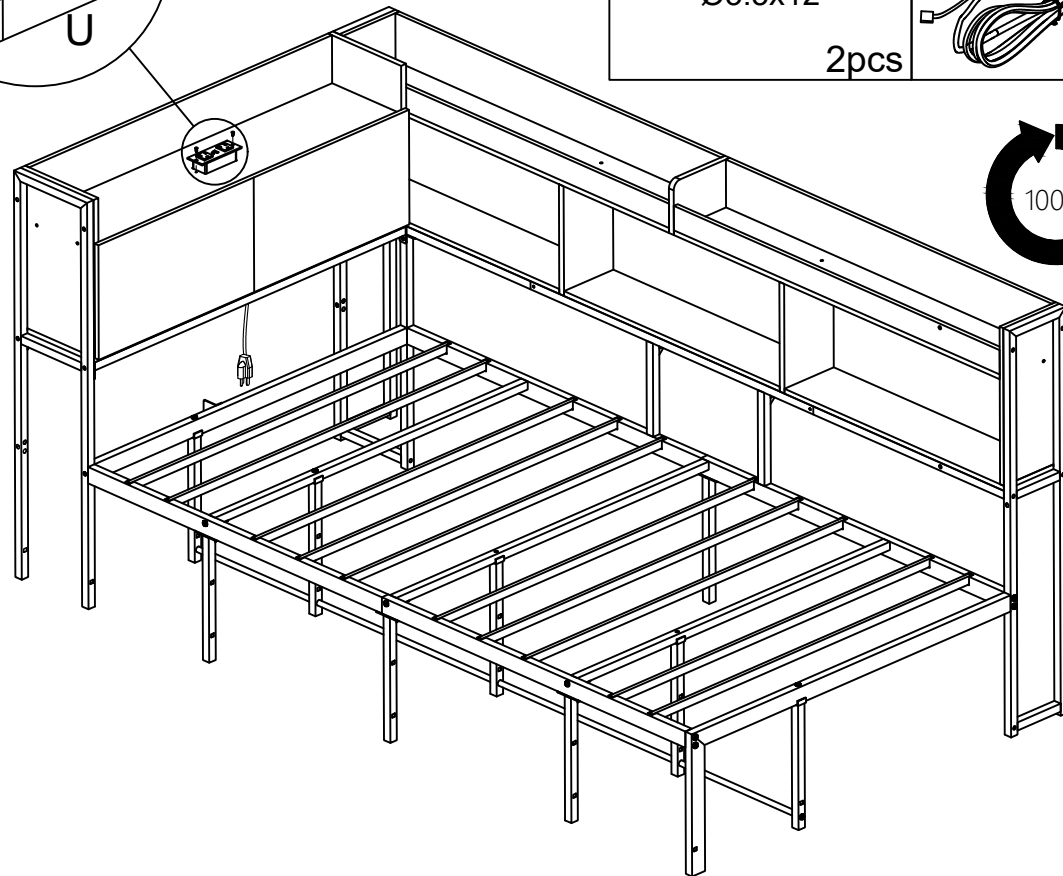
Ø3.5x12

2pcs

U



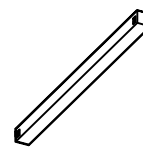
1pc



Step 44

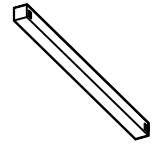
It can snap directly into place.

R

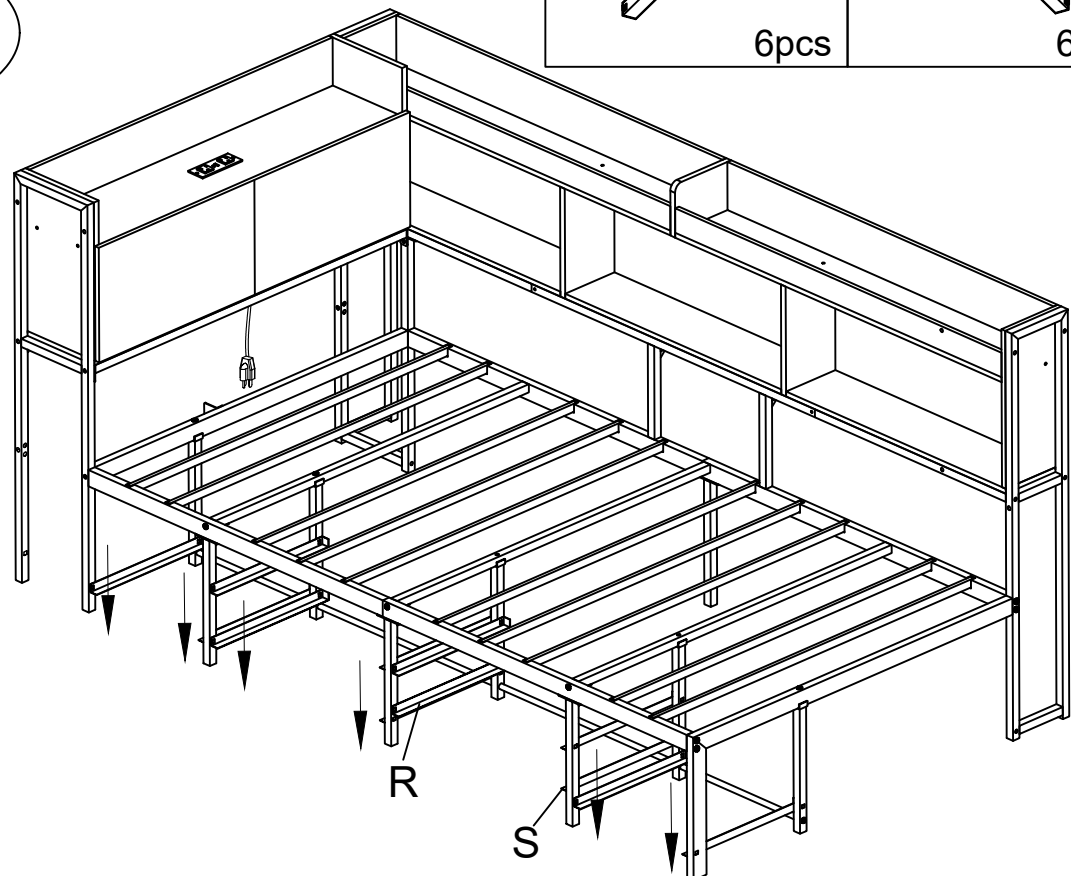
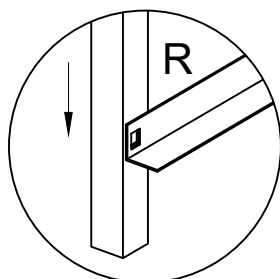
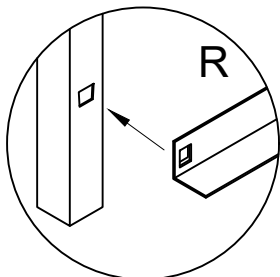
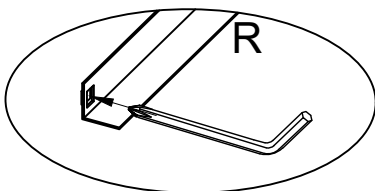


6pcs

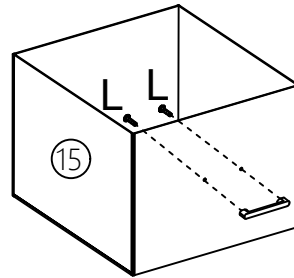
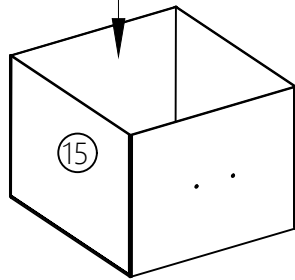
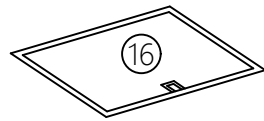
S



6pcs



Step 45



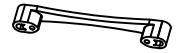
L



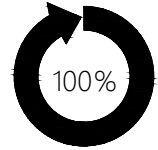
M4x10

12pcs

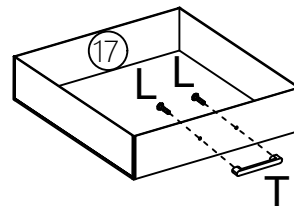
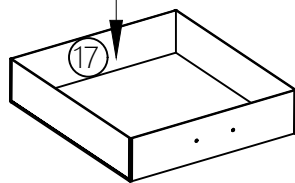
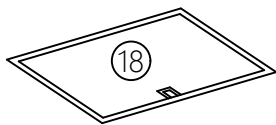
T



6pcs

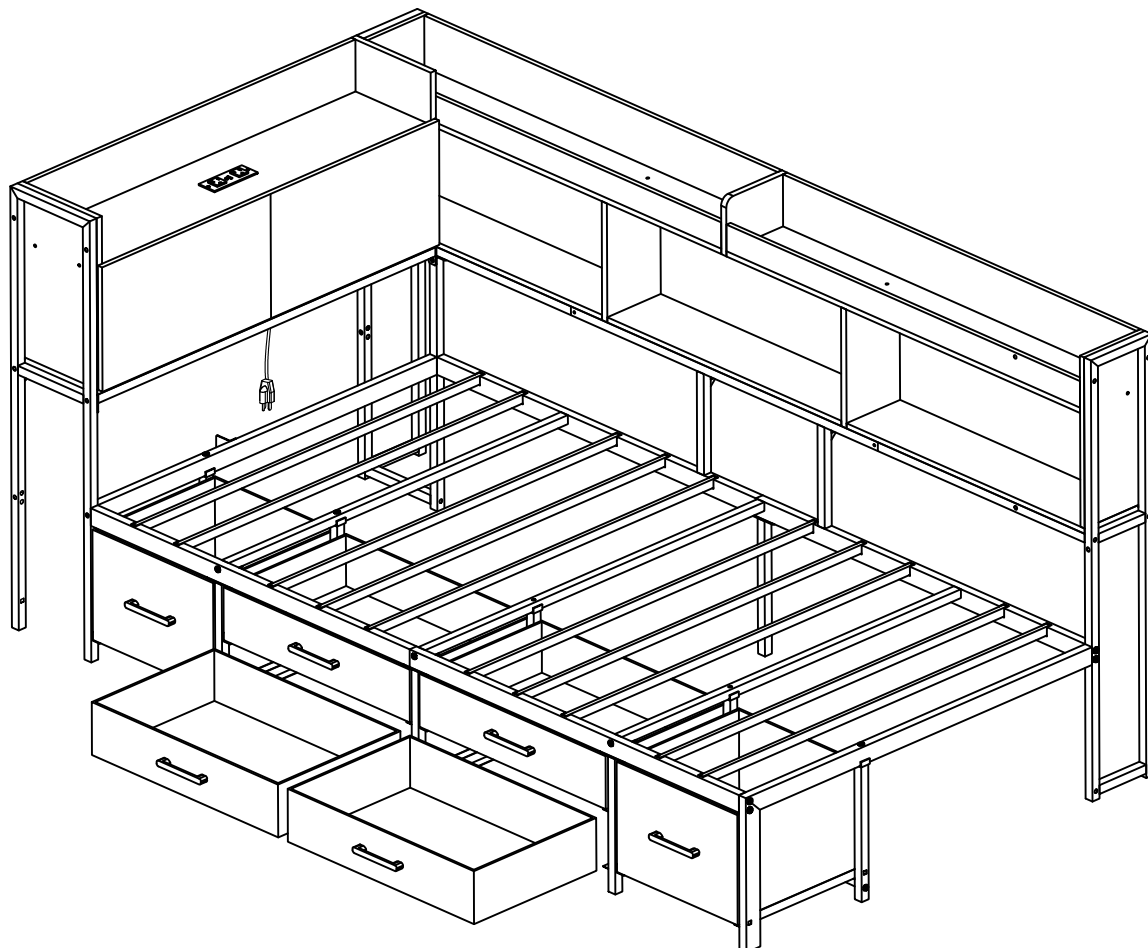


x2



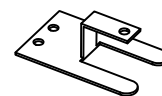
x4

Step 46

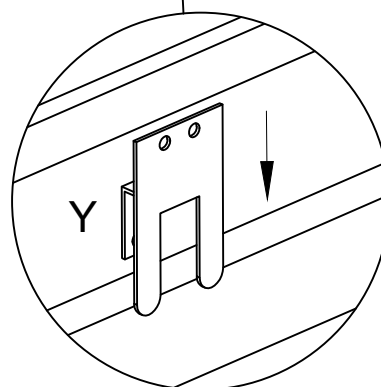
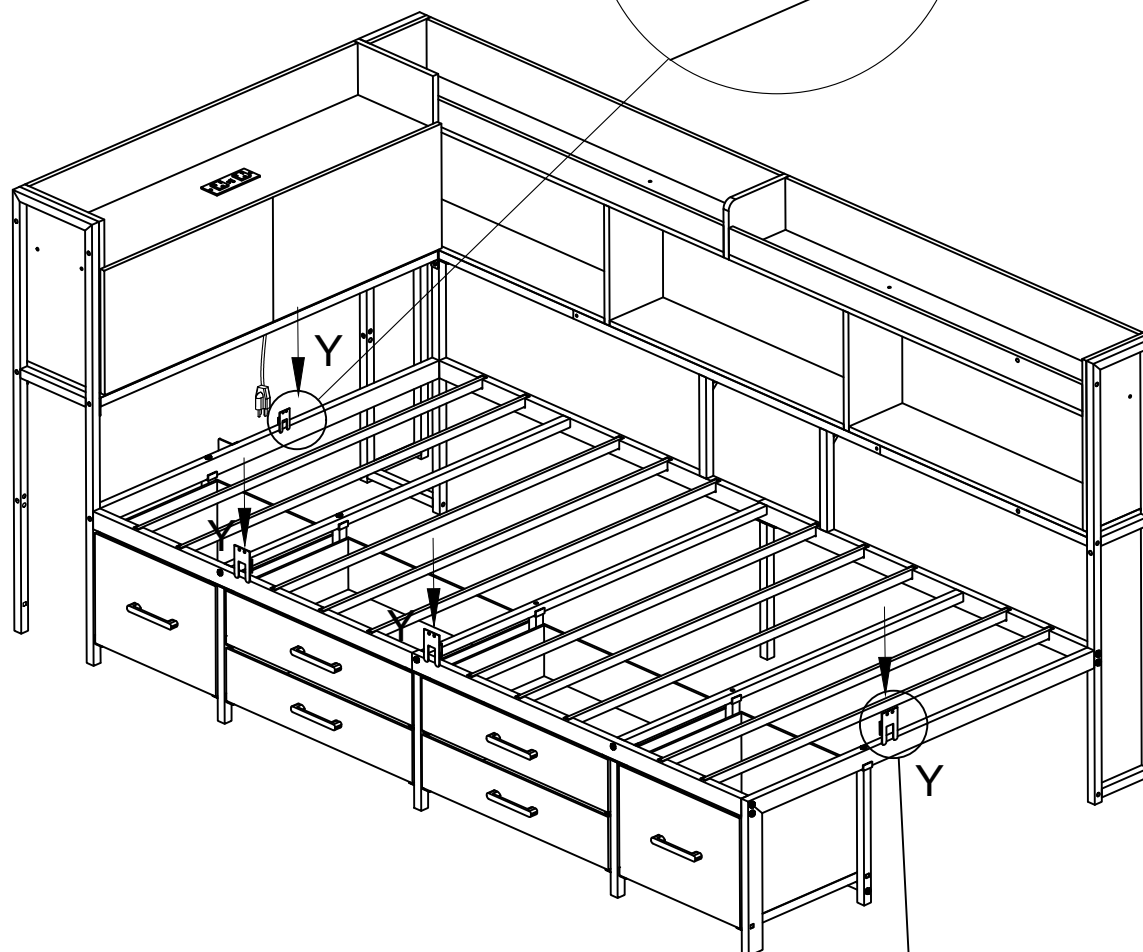
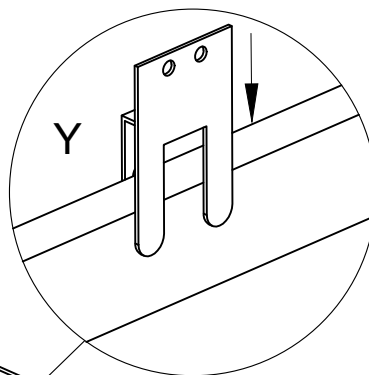


Step 47

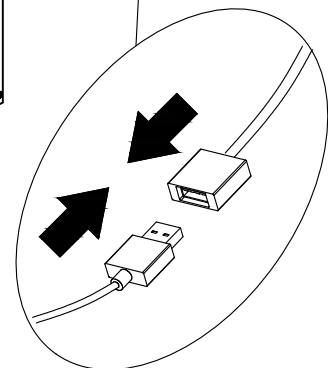
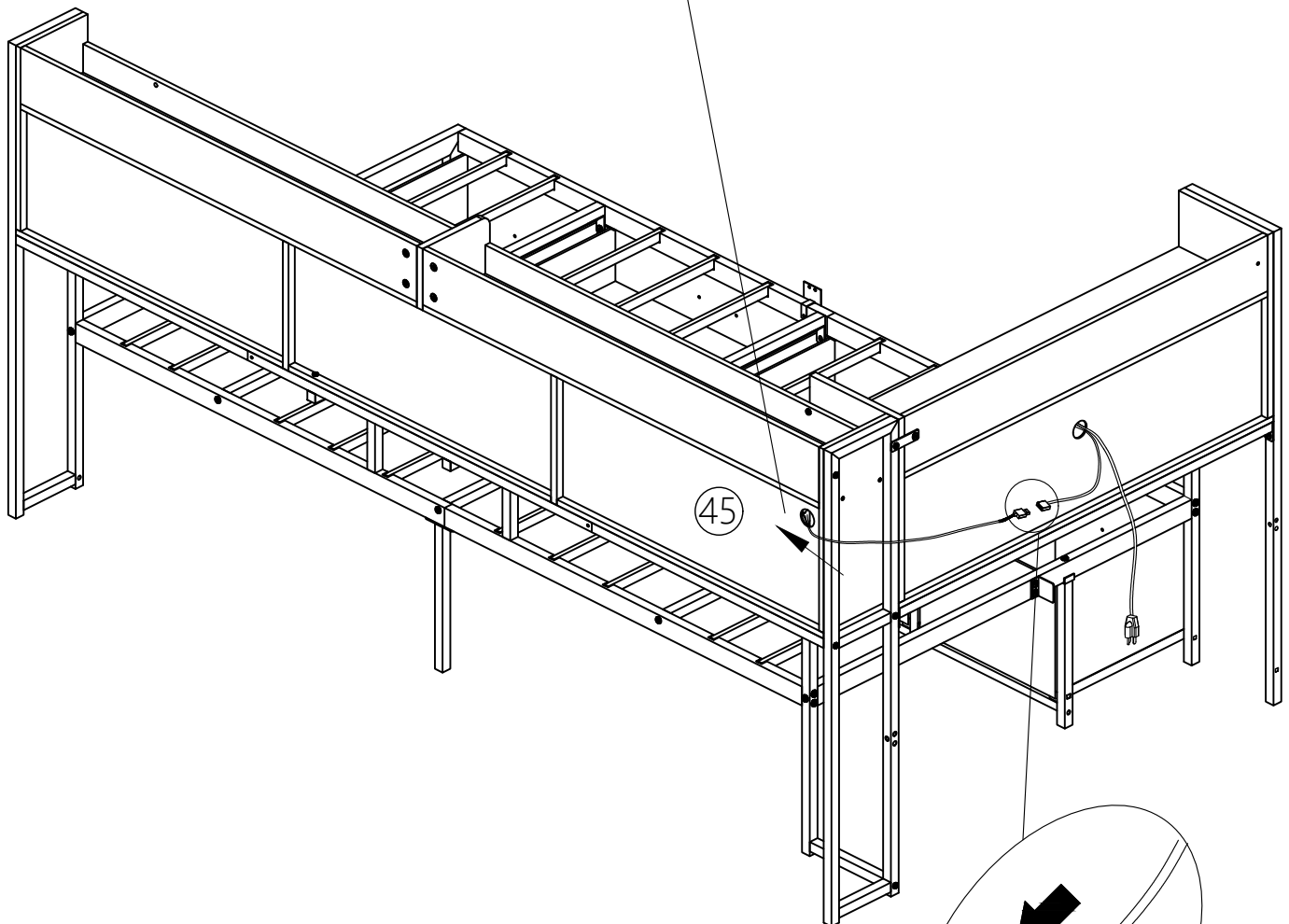
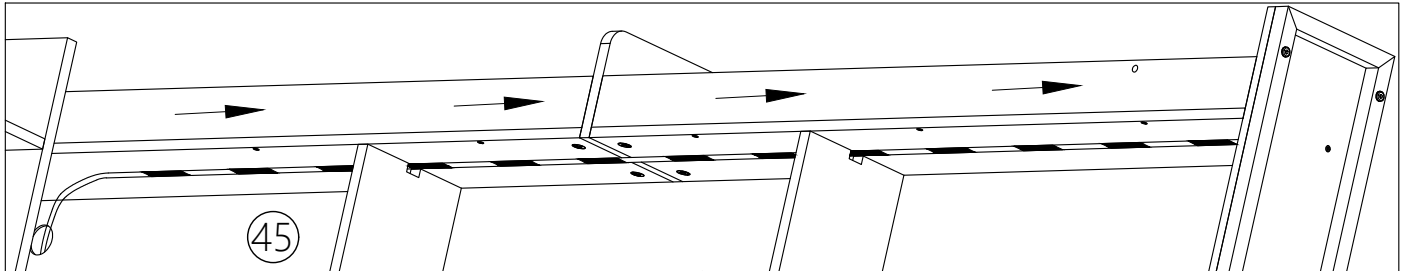
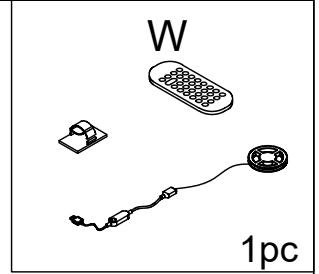
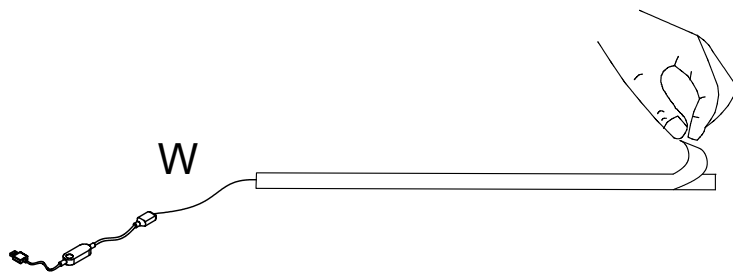
Y



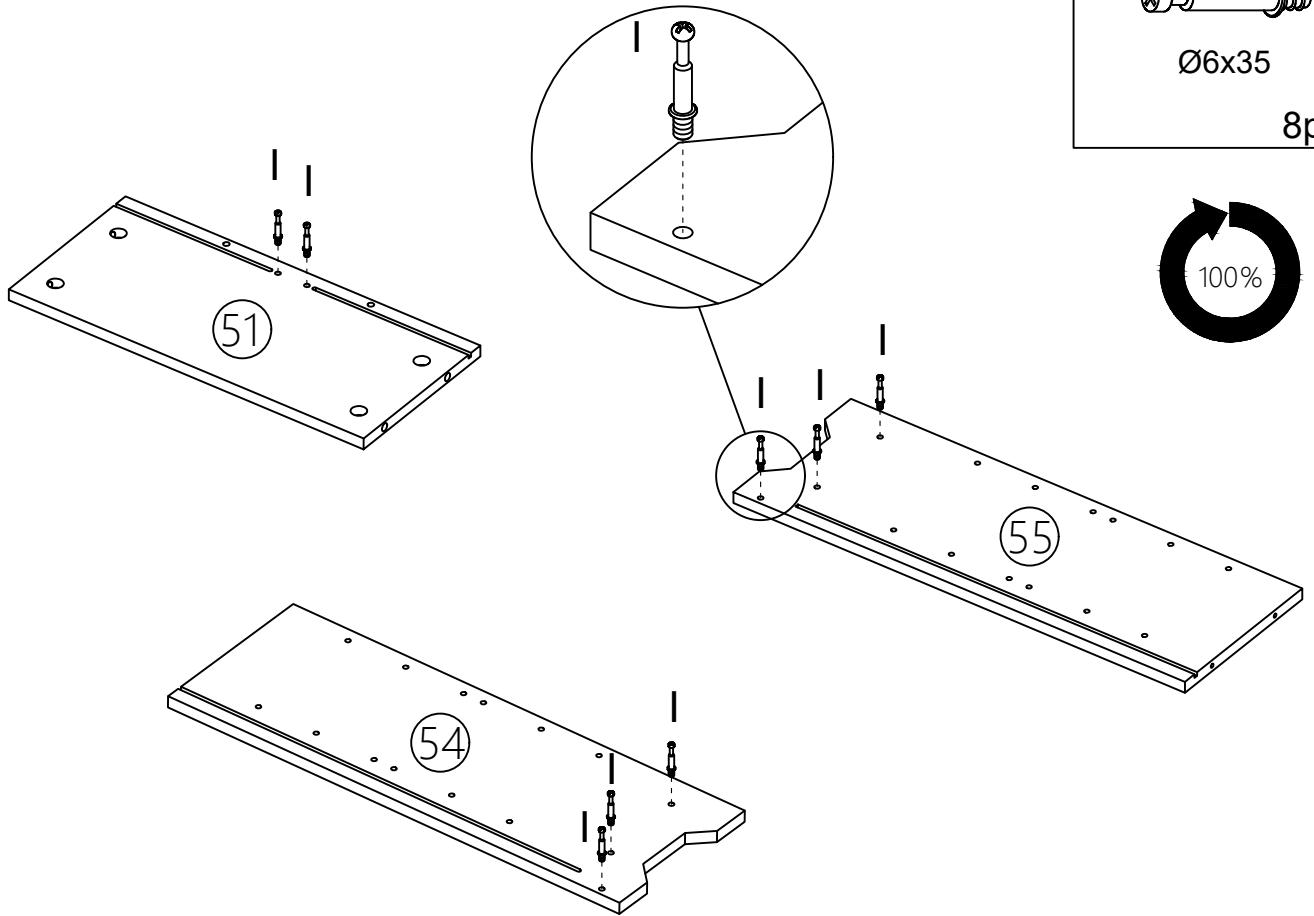
4pcs



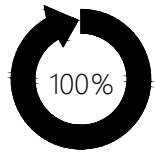
Step 48



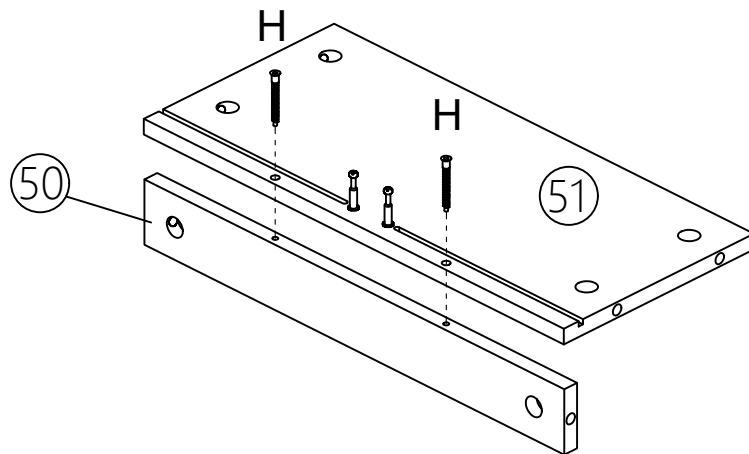
Step 49



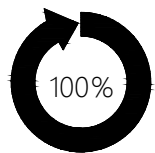
I
Ø6x35
8pcs



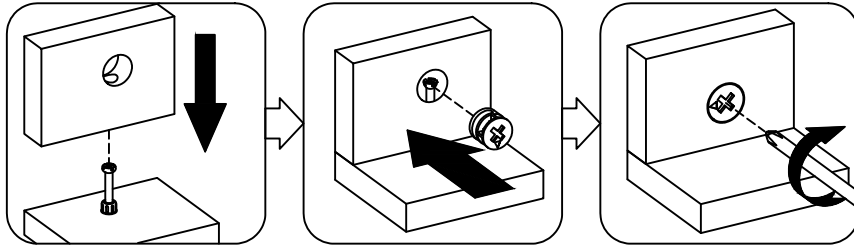
Step 50



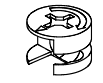
H
M5x38
2pcs



Step 51

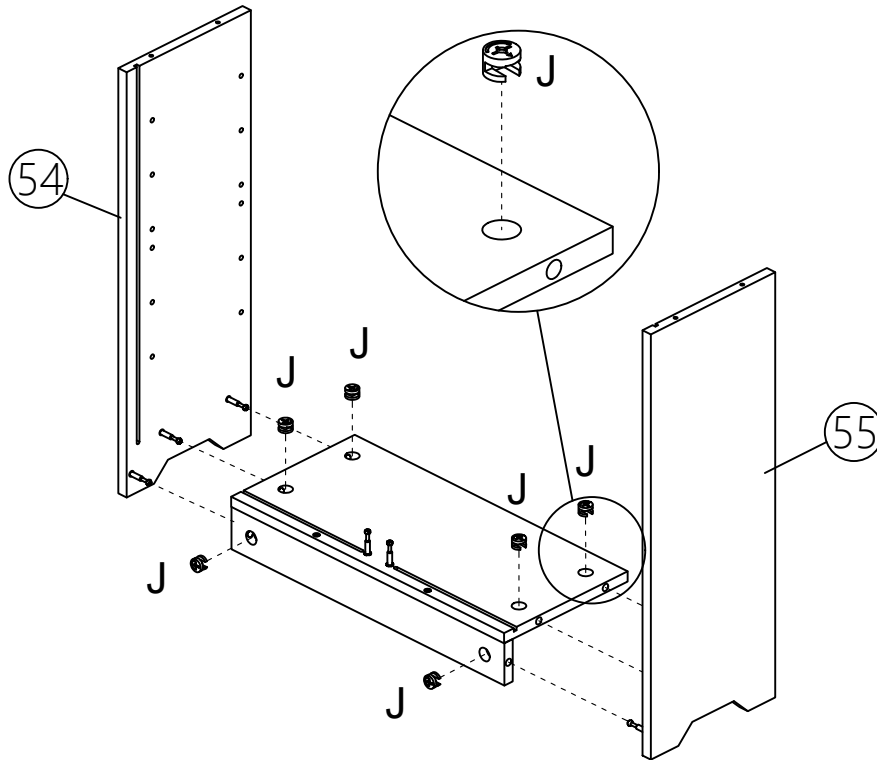
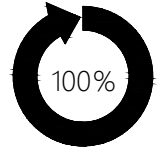


J

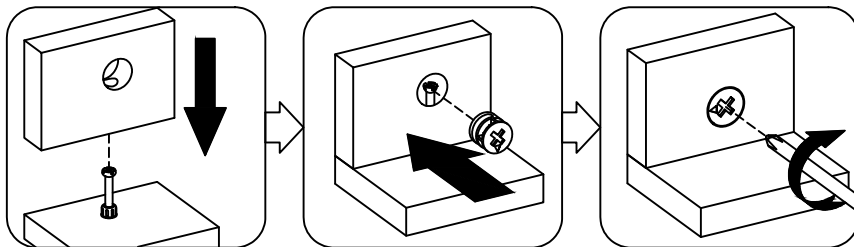


Ø15x10

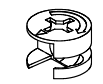
6pcs



Step 52

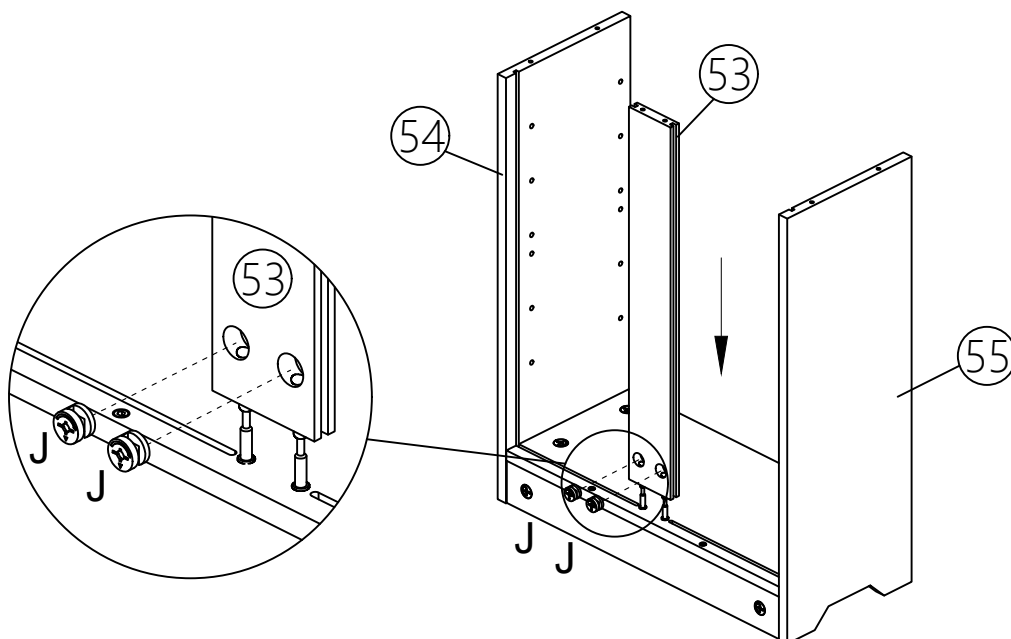
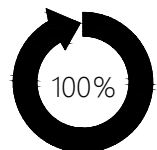


J

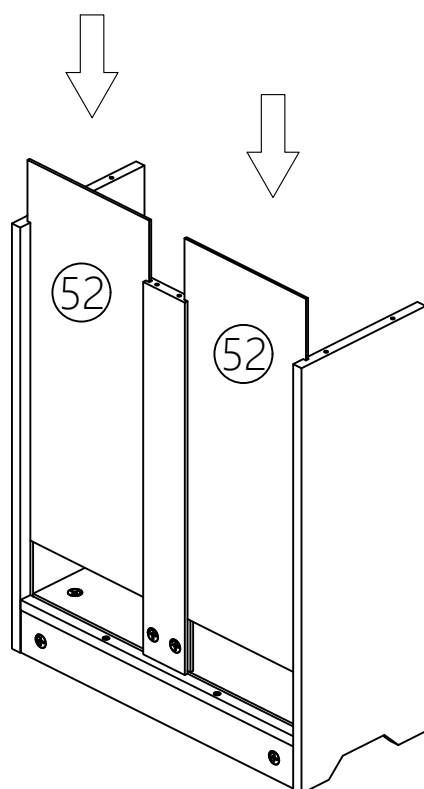


Ø15x10

2pcs




Step 53



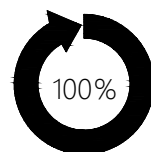
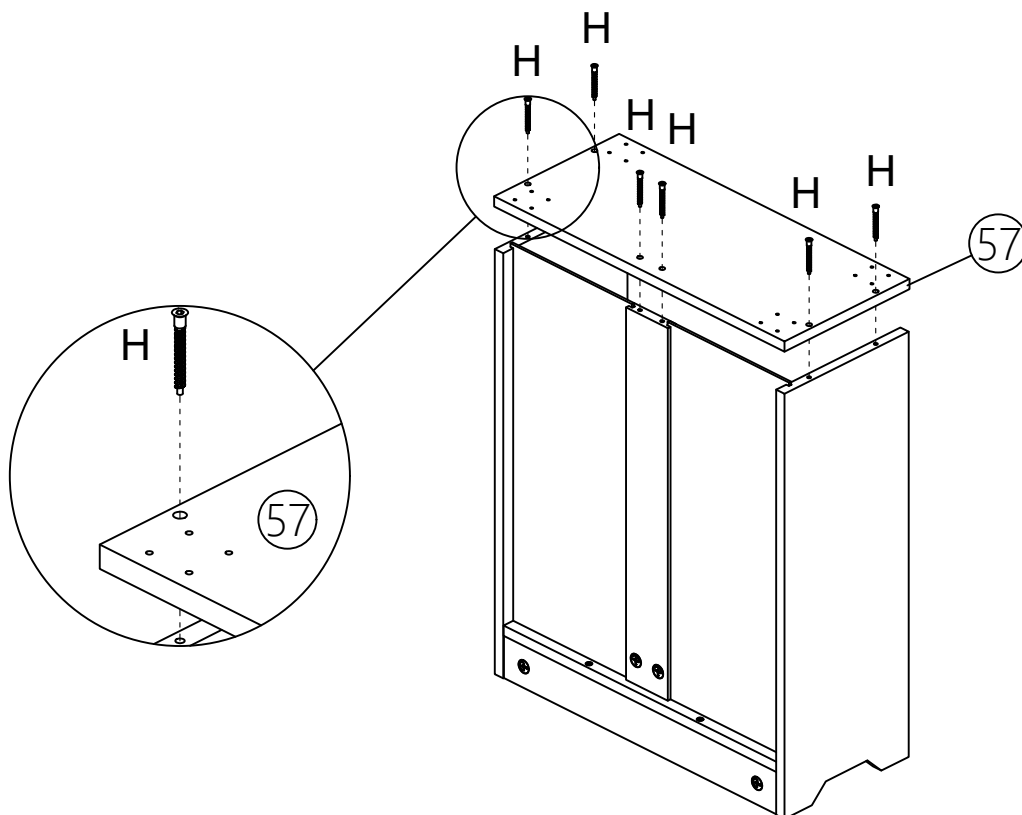
Step 54

H

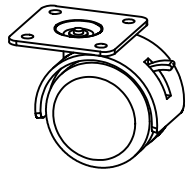
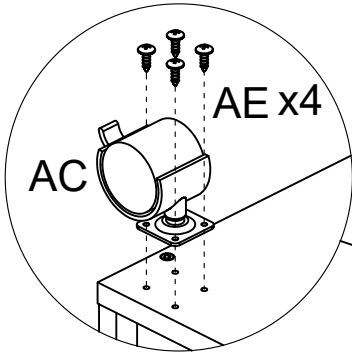
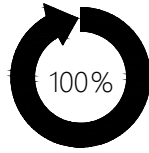


M5x38

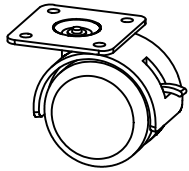
6pcs



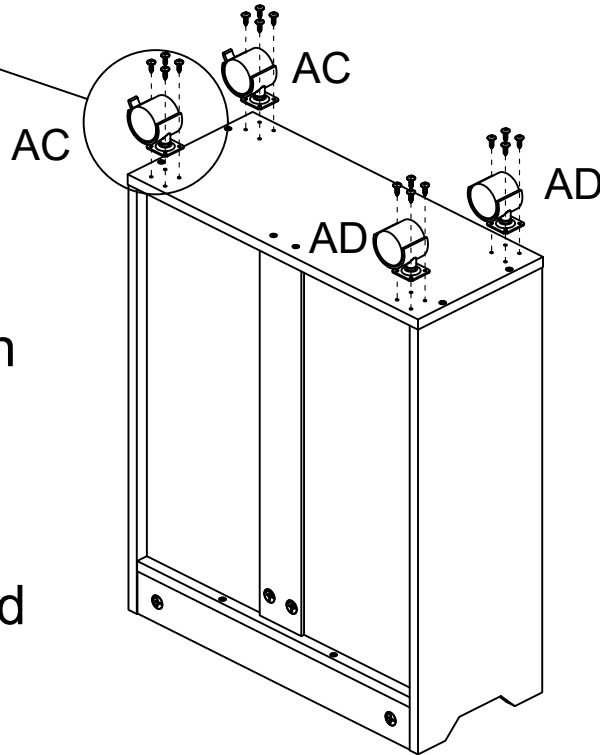
Step 55



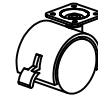
Loosen



Locked



AC



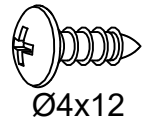
2pcs

AD



2pcs

AE



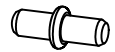
Ø4x12

16pcs

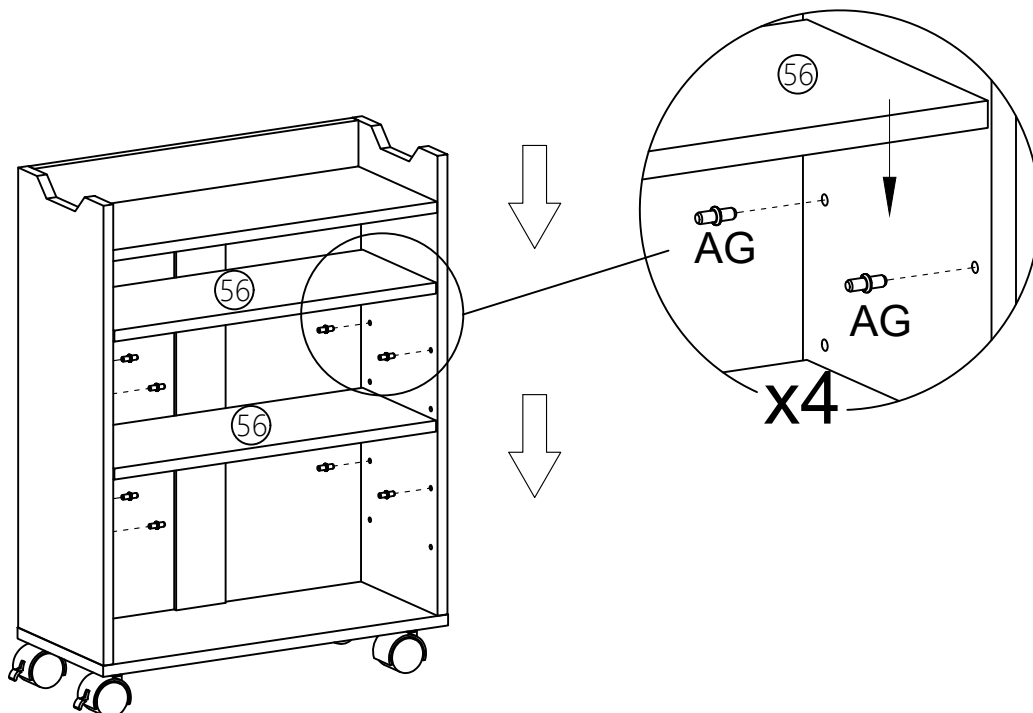
Step 56

By installing (AG) in different holes, you can flexibly adjust the required height.

AG



8pcs

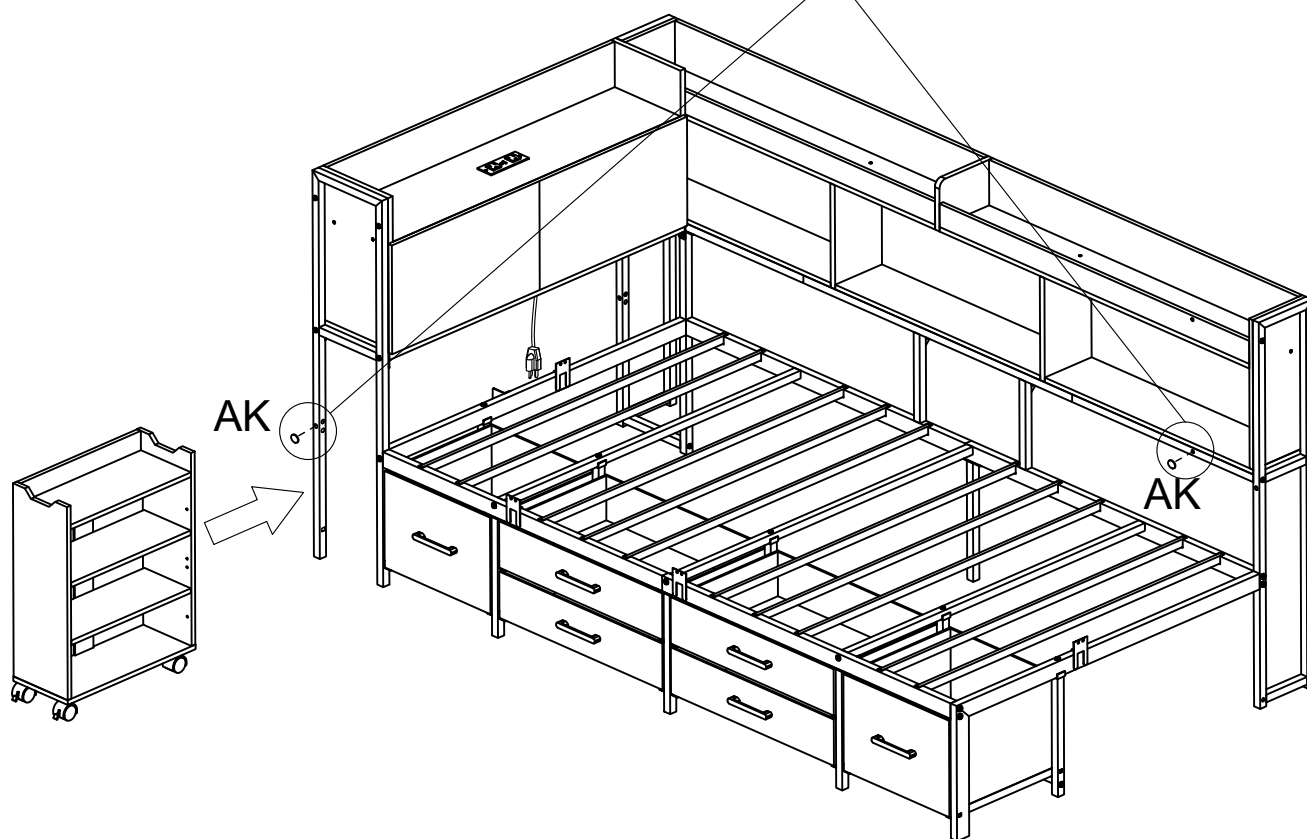
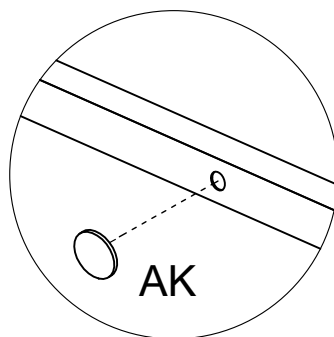


Step 57

AK



2pcs



Step 58

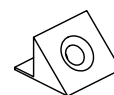
AB



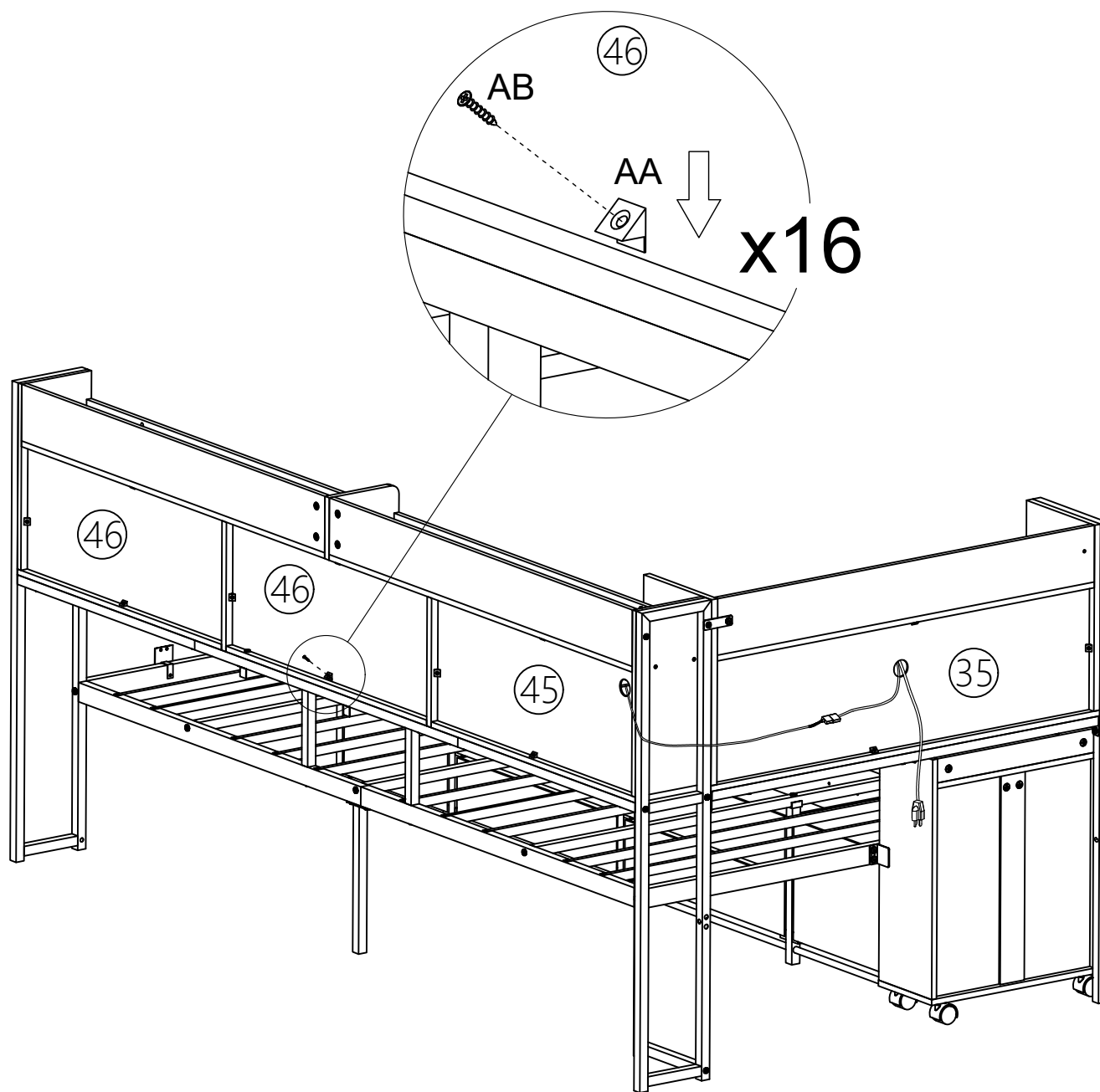
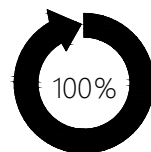
Ø3.5x16

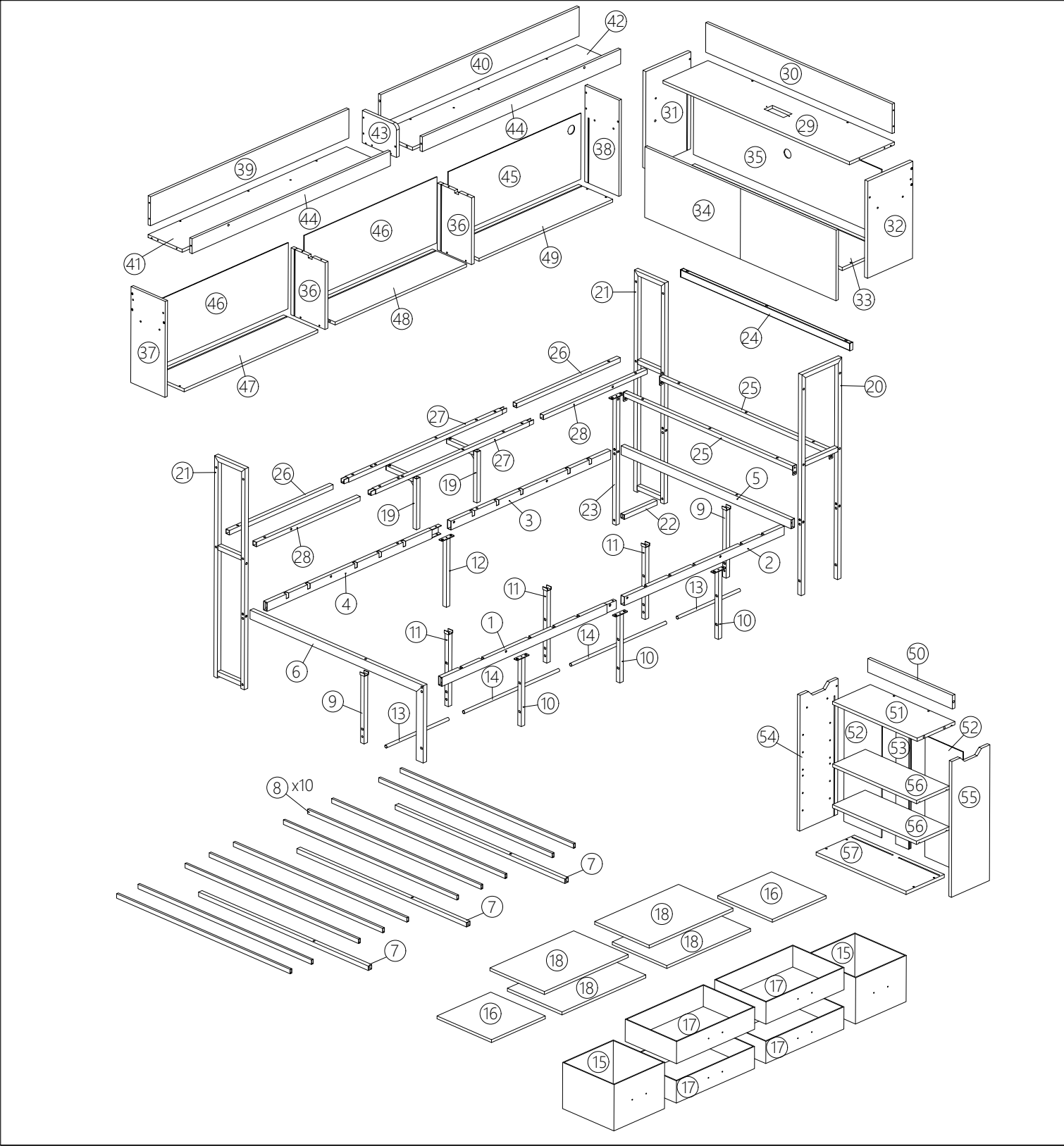
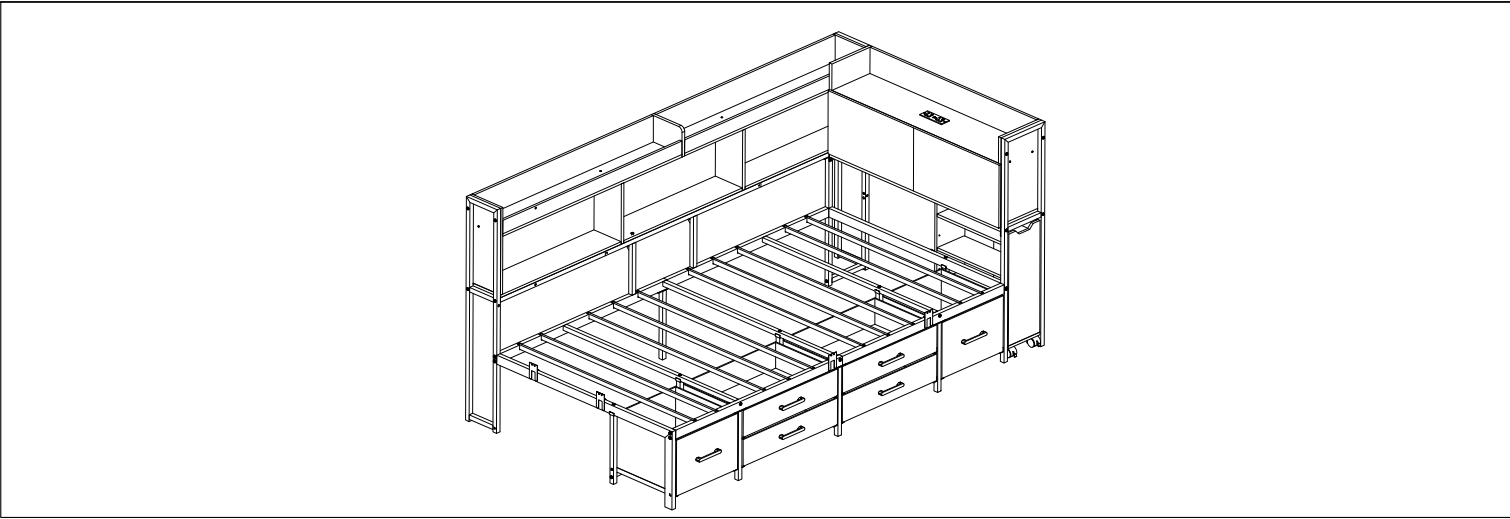
16pcs

AA



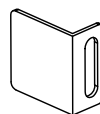
16pcs





Step 1

Z



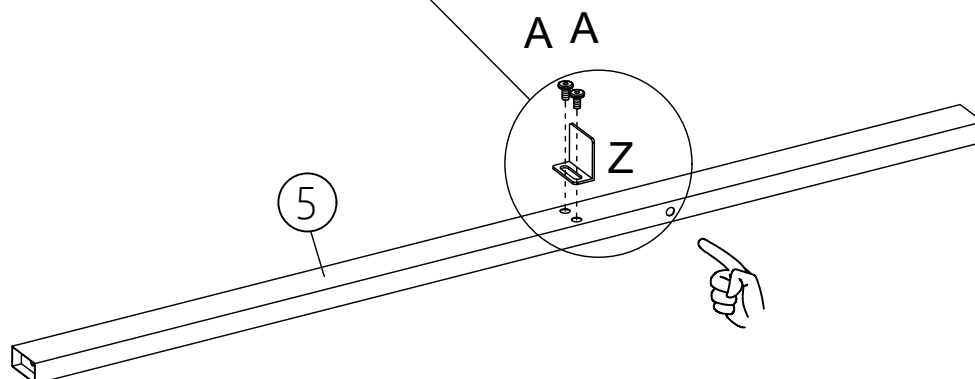
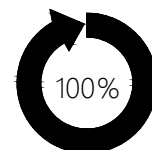
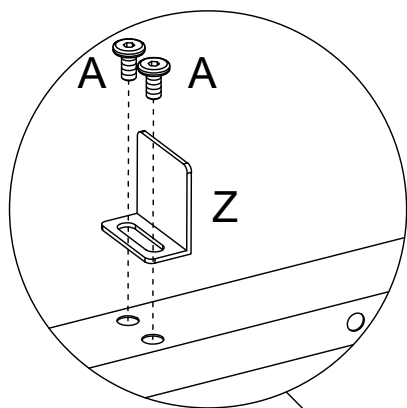
1pc

A



M6x12

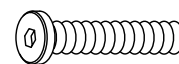
2pcs



Step 2

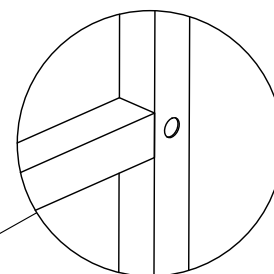
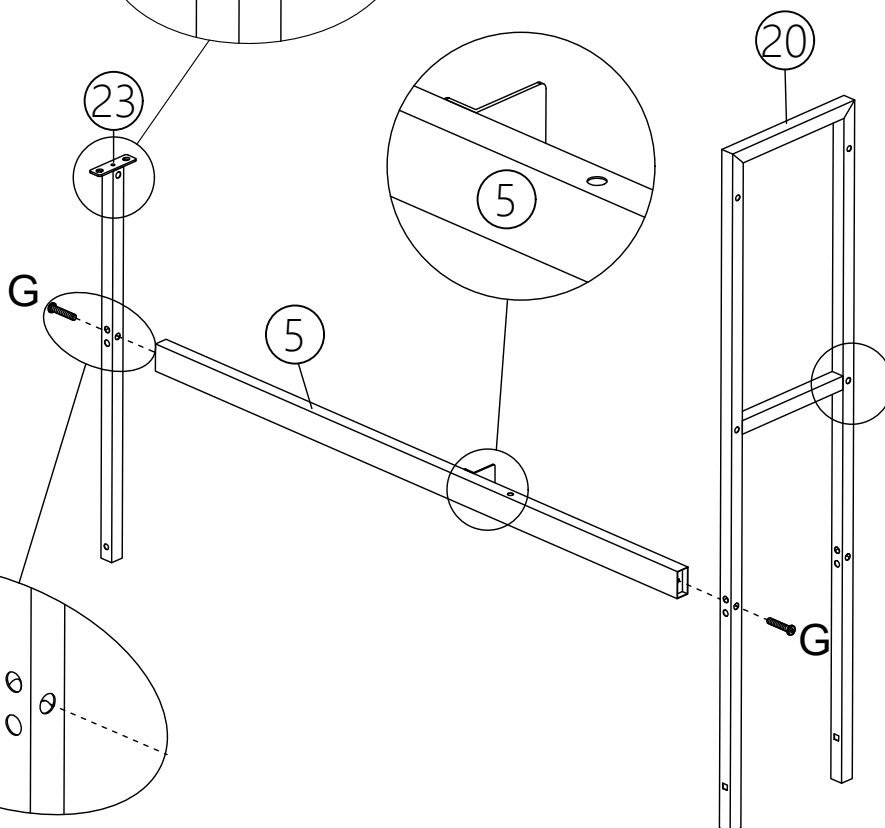
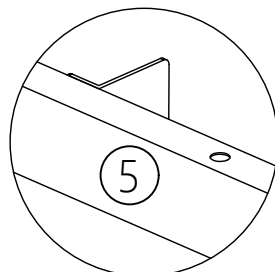
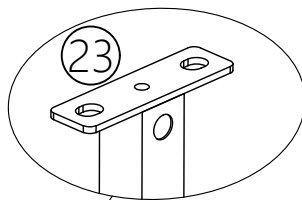
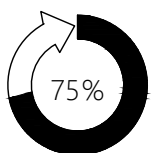
Attention to #23 part hole towards

G

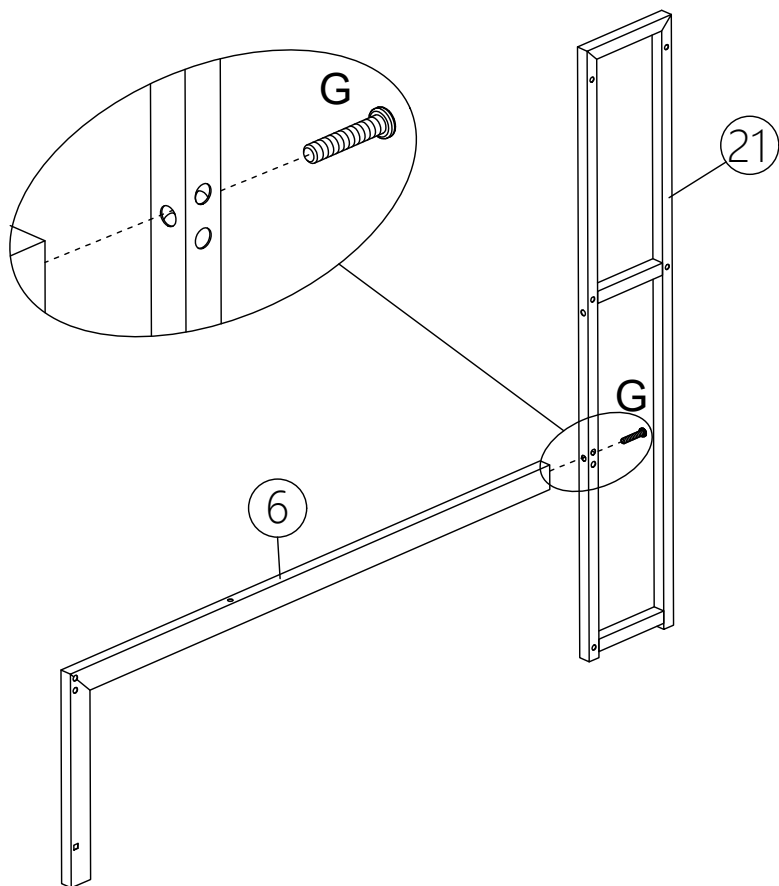


M8x40

2pcs



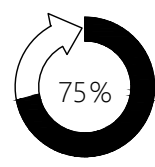
Step 3



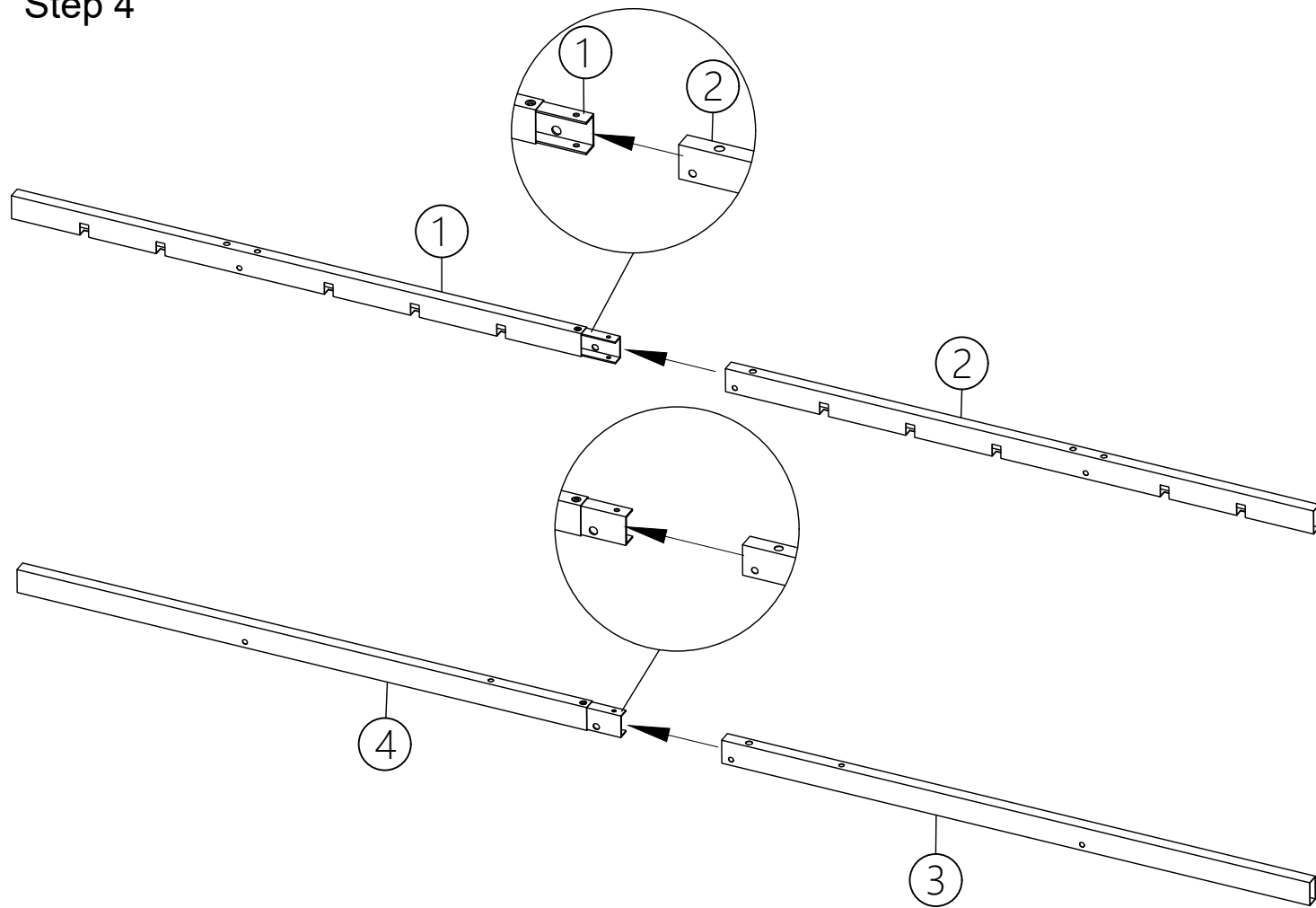
G

M8x40

1pc

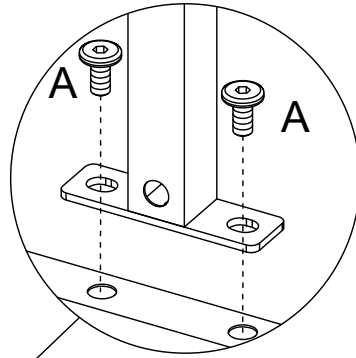


Step 4



Step 5

Attention to #10 part hole towards

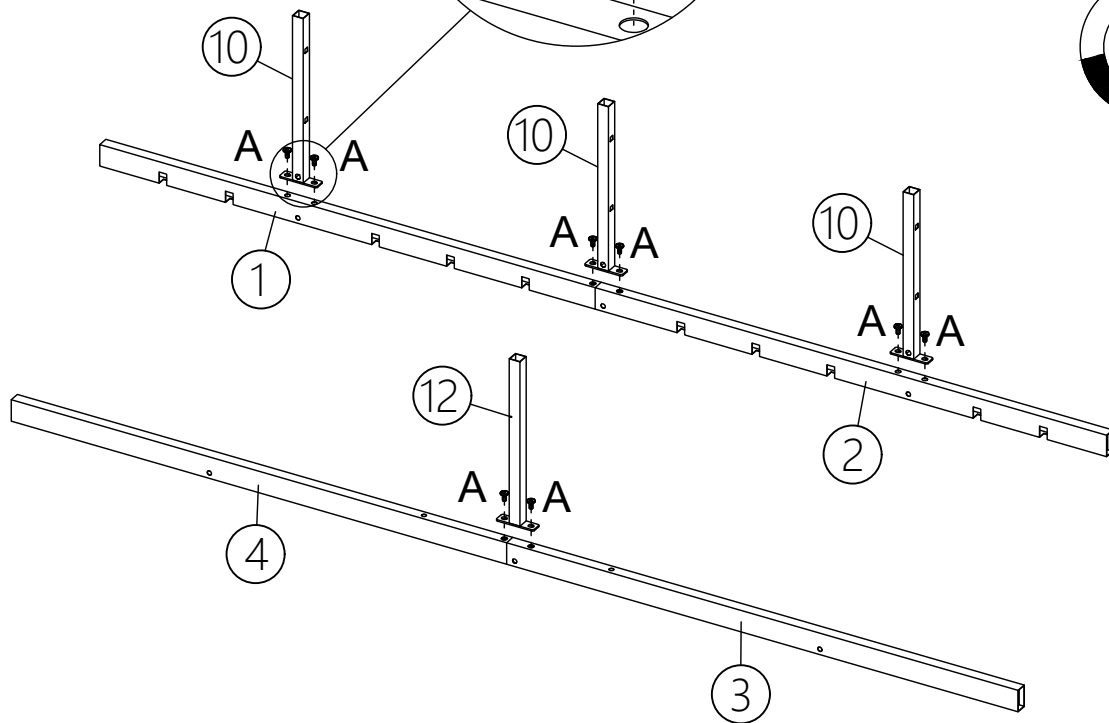
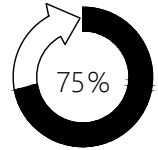


A

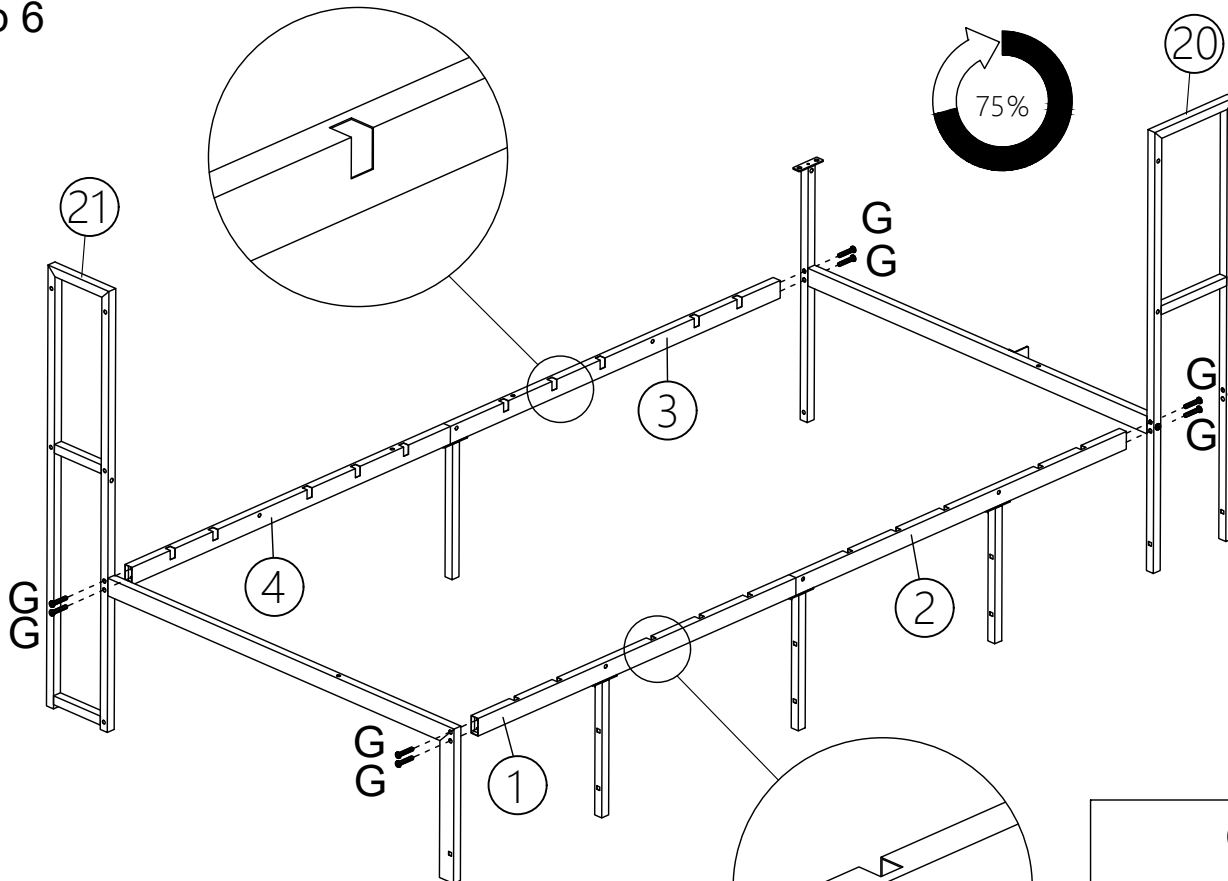
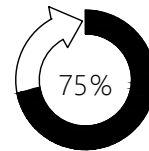
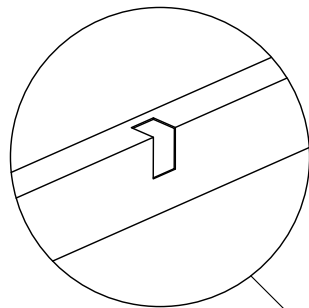


M6x12

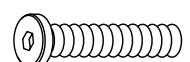
8pcs



Step 6



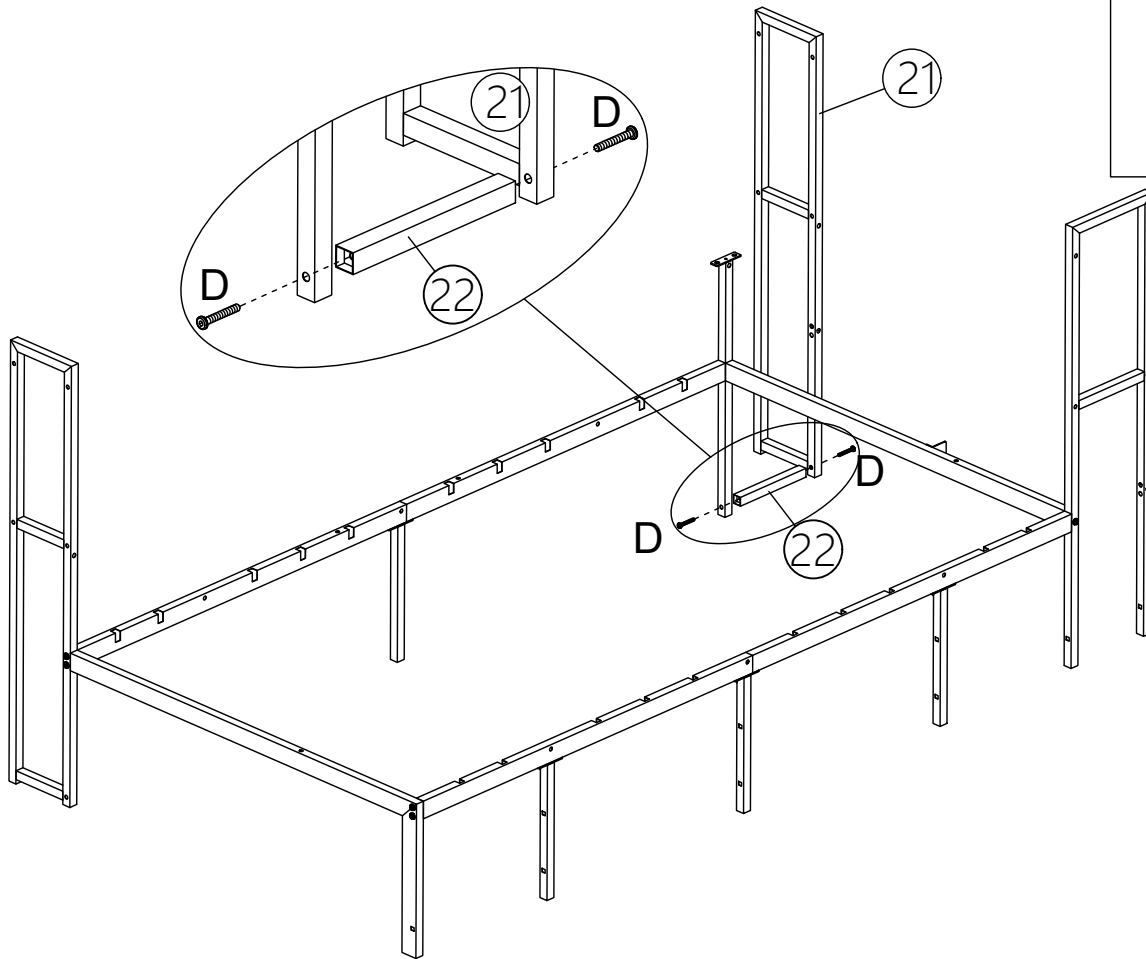
G



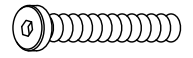
M8x40

8pcs

Step 7

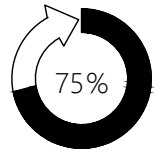


D

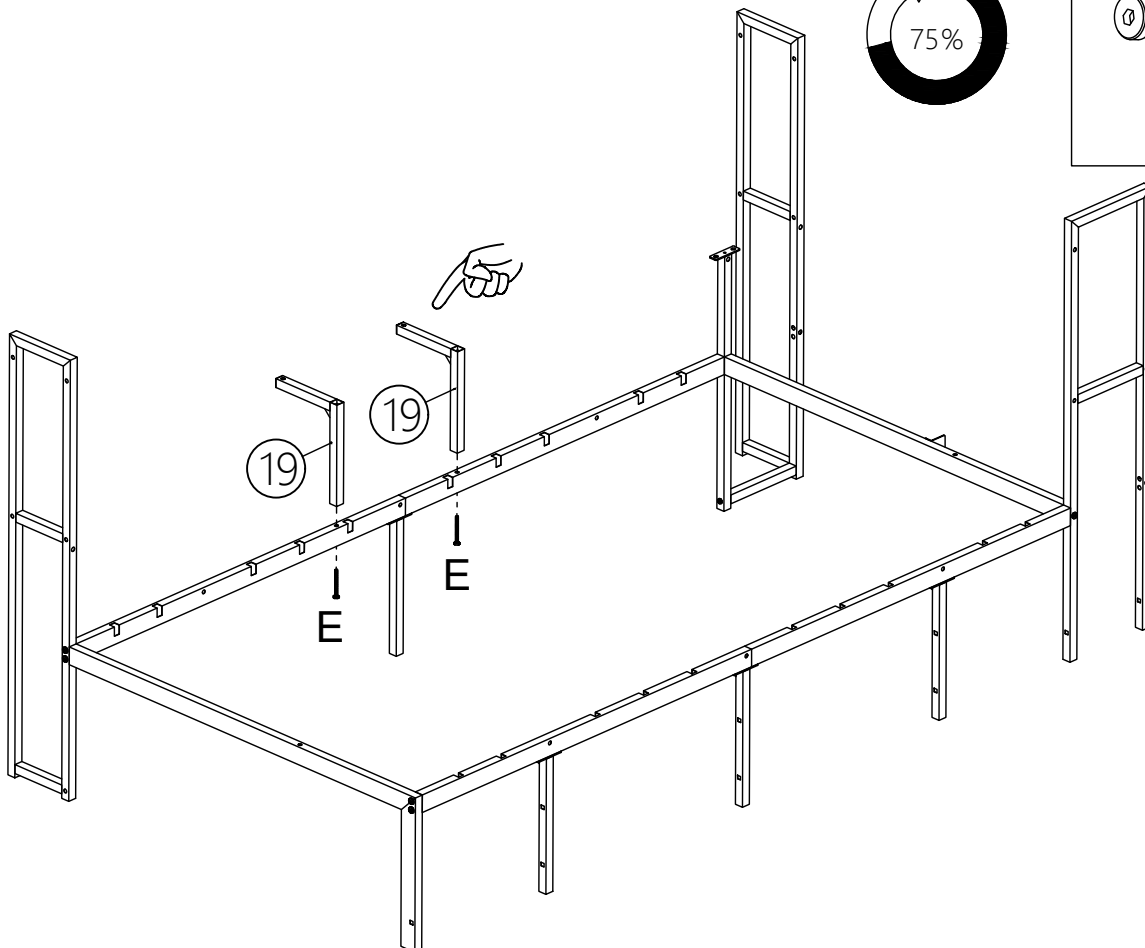


M6x40

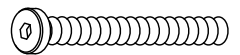
2pcs



Step 8

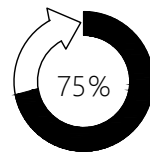


E

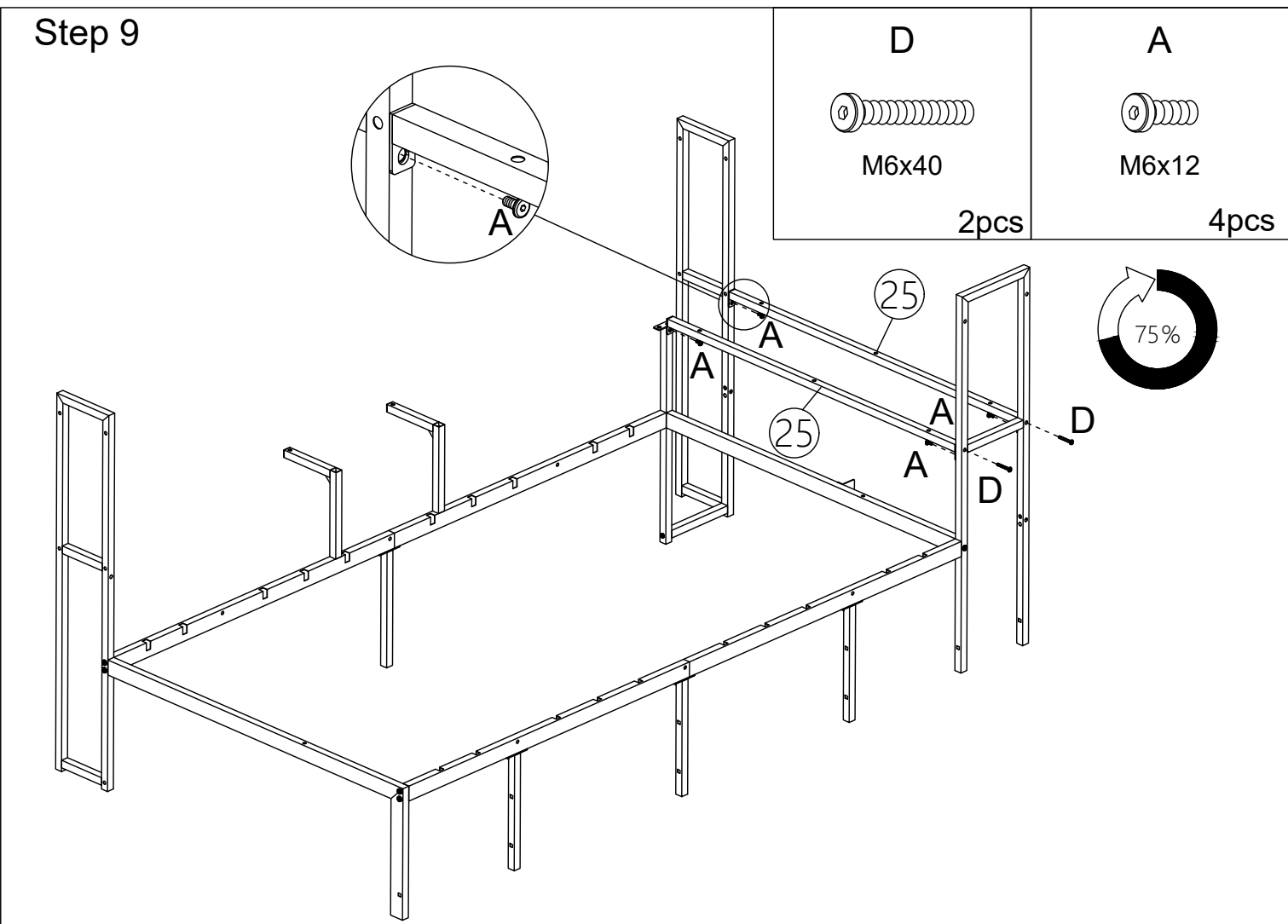


M6x60

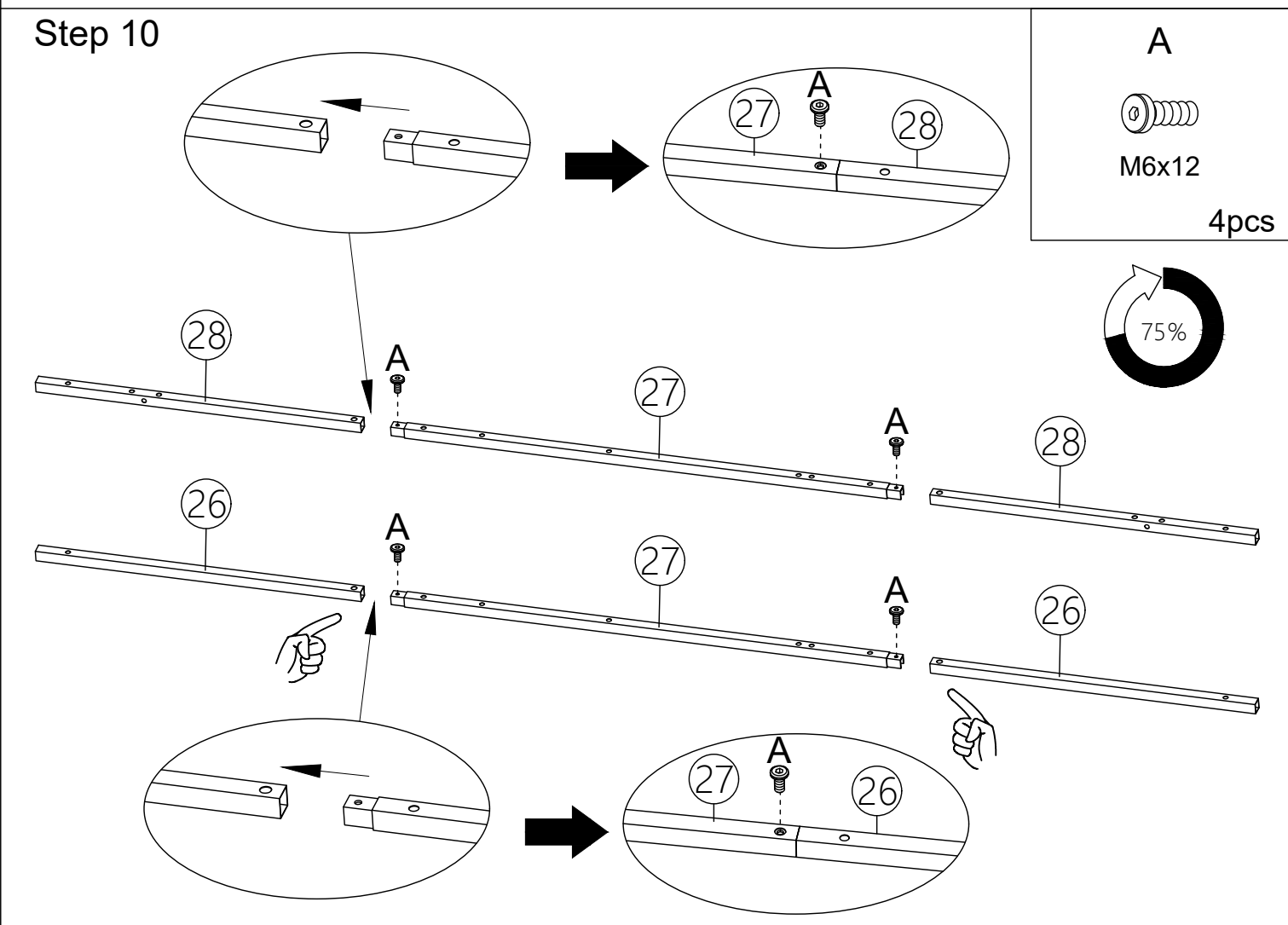
2pcs



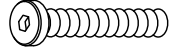
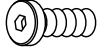
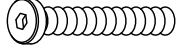
Step 9



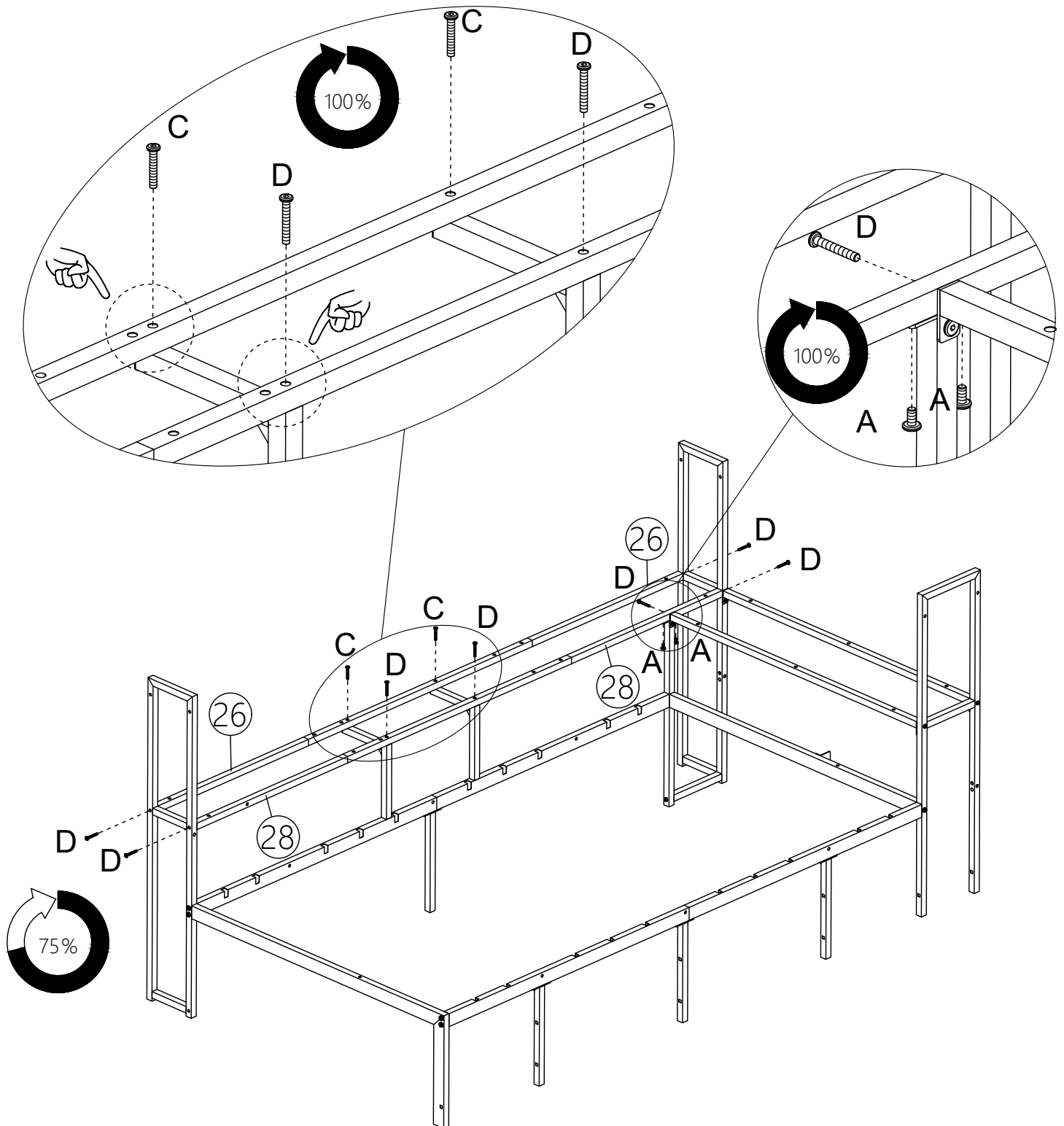
Step 10



Step 11

C  M6x35 2pcs	A  M6x12 2pcs
D  M6x40 7pcs	

The screw faces downward.



Step 12

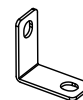
A



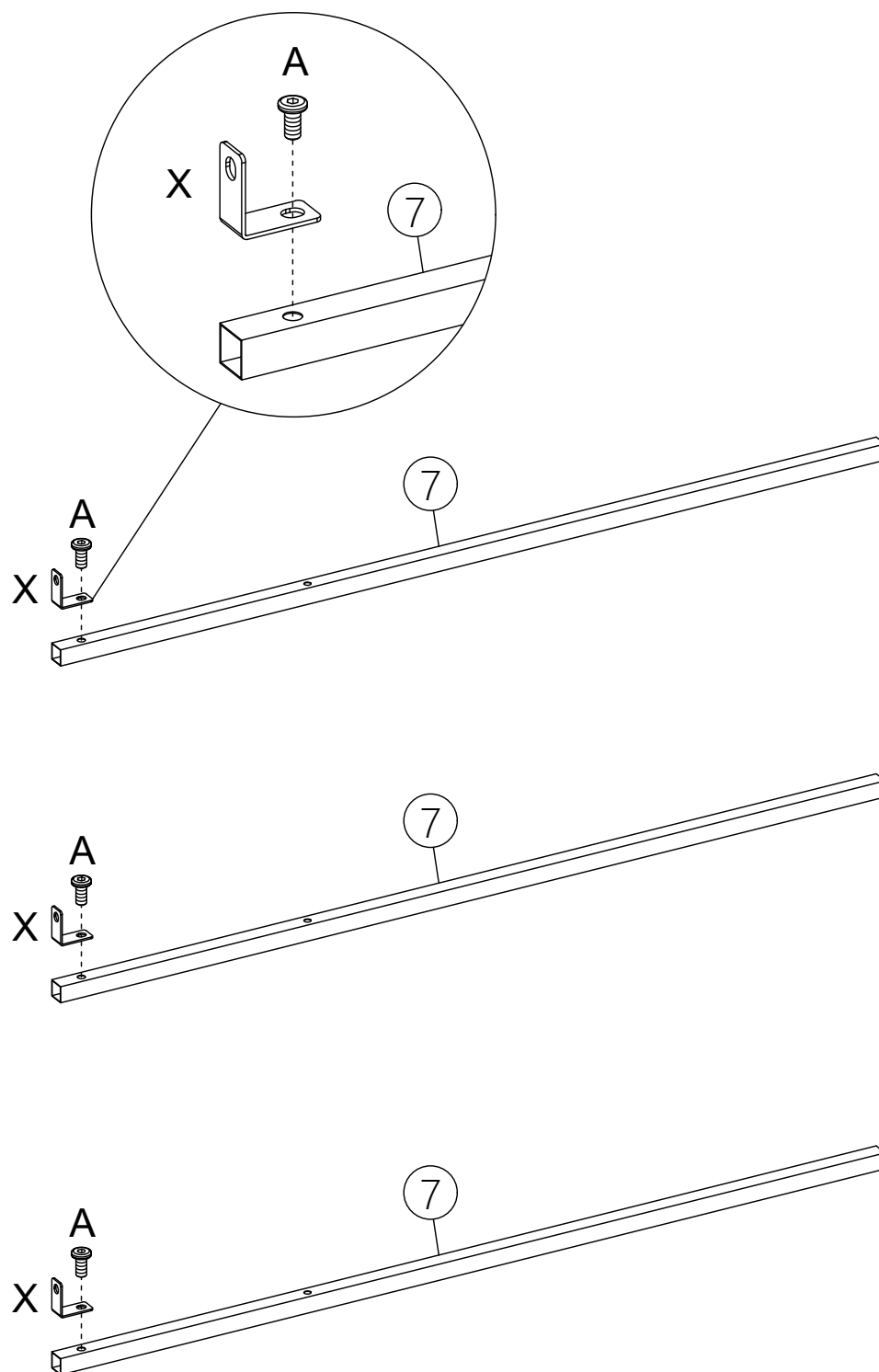
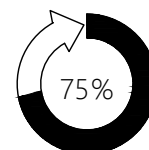
M6x12

3pcs

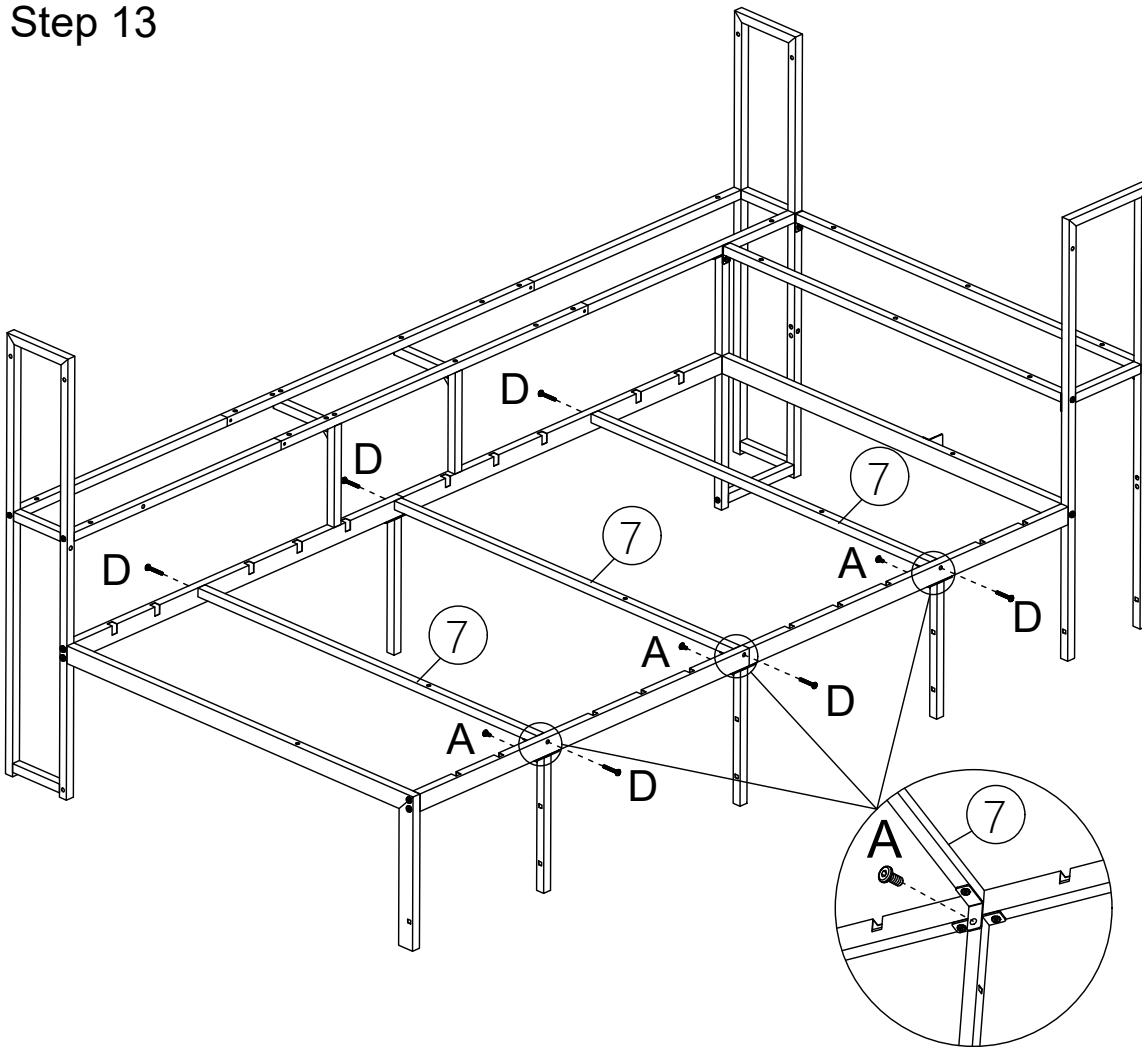
X



3pcs



Step 13



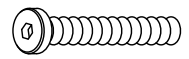
A



M6x12

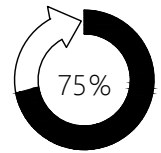
3pcs

D



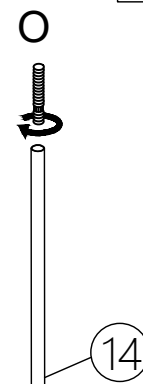
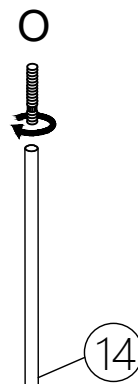
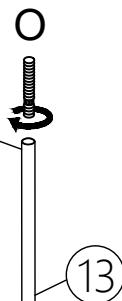
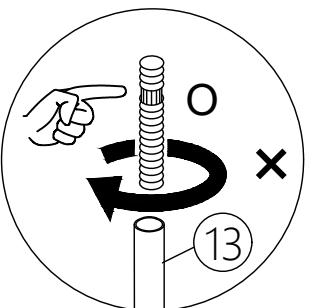
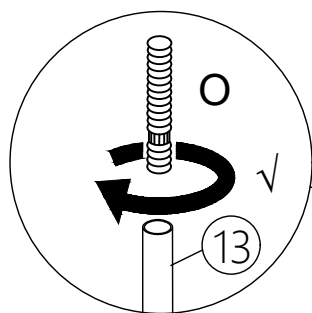
M6x40

6pcs

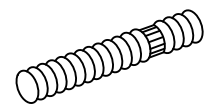


rear view

Step 14

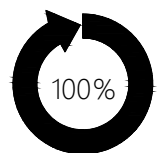


O



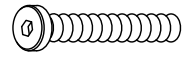
M6x50

3pcs



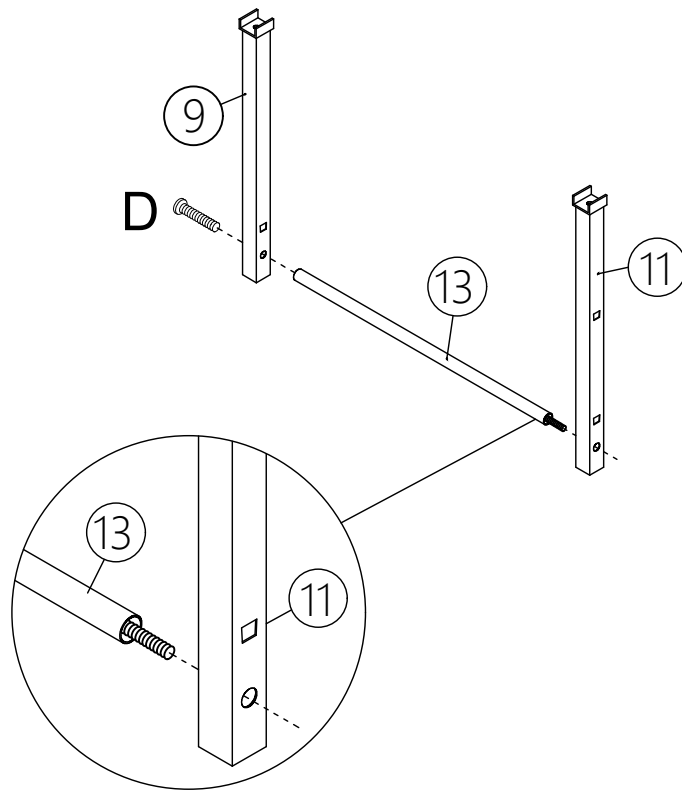
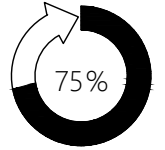
Step 15

D

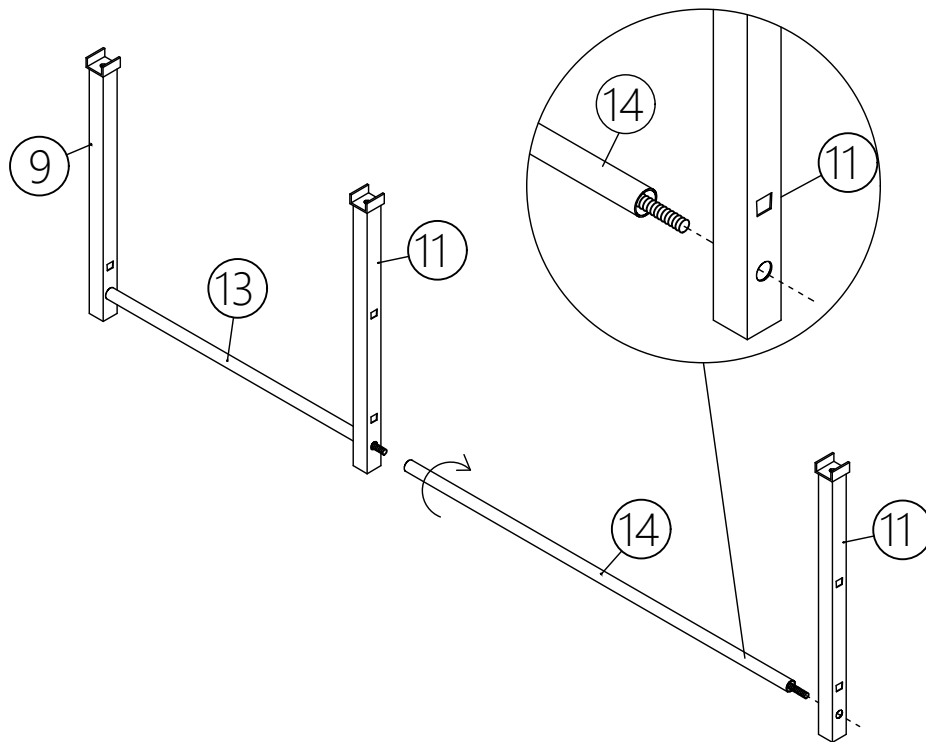
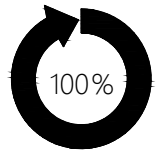


M6x40

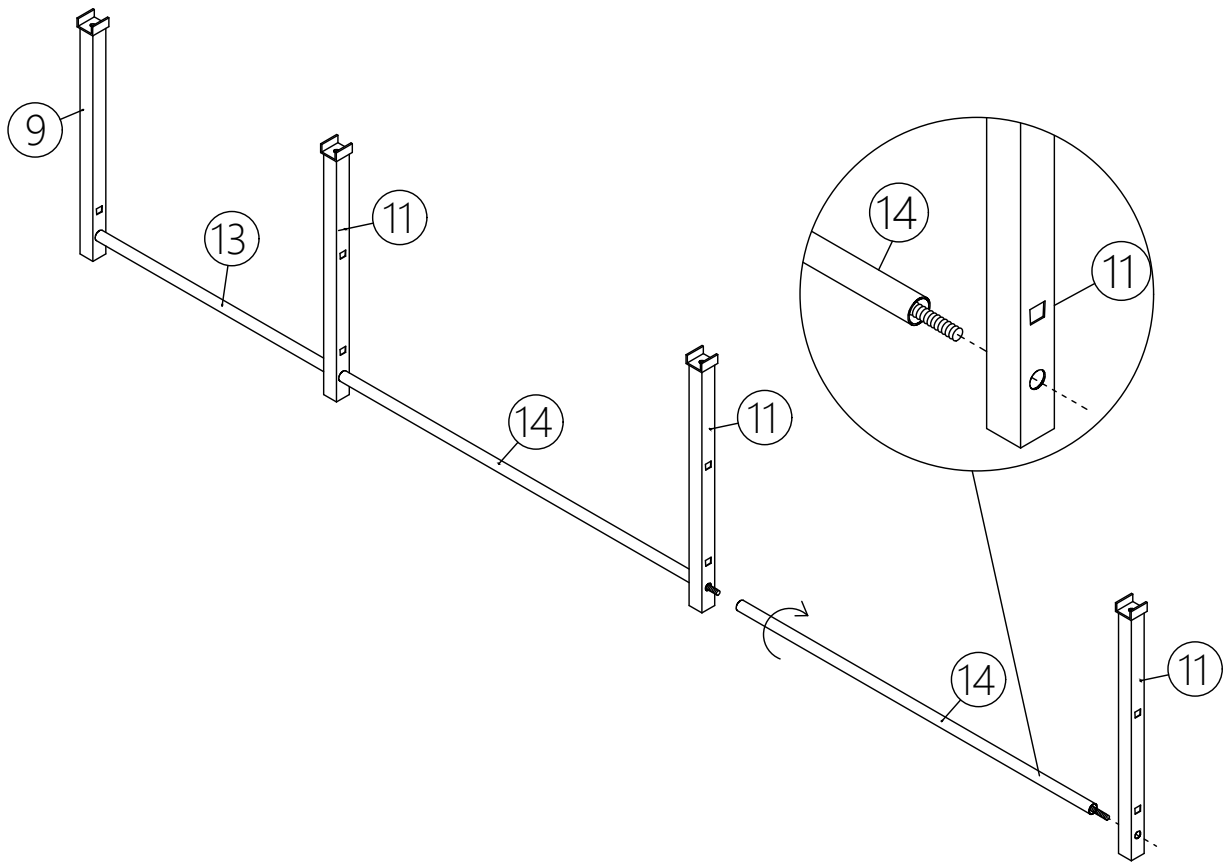
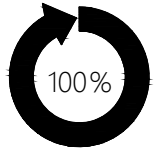
1pc



Step 16

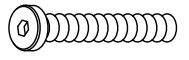


Step 17



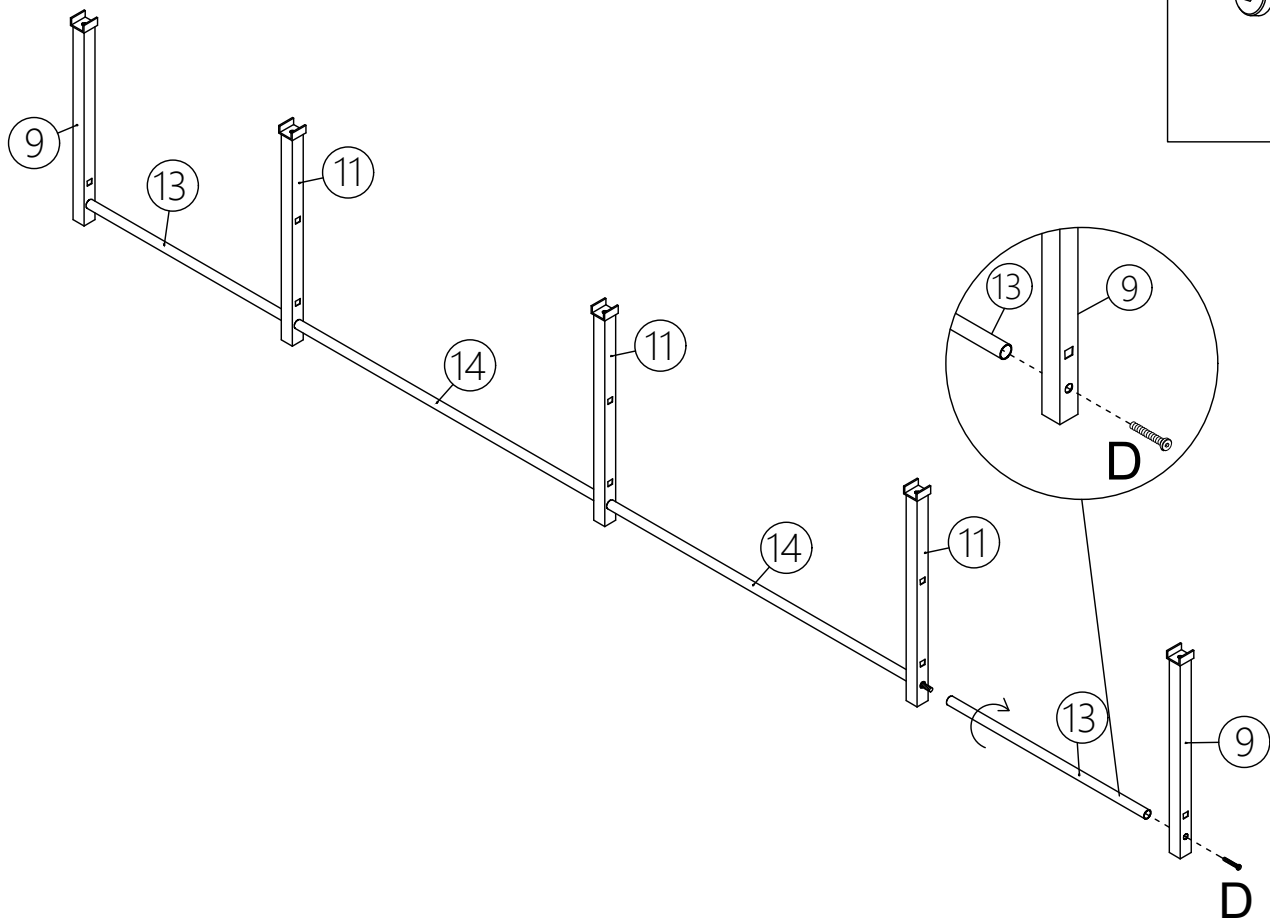
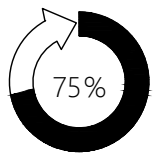
Step 18

D

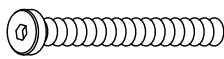
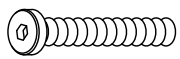


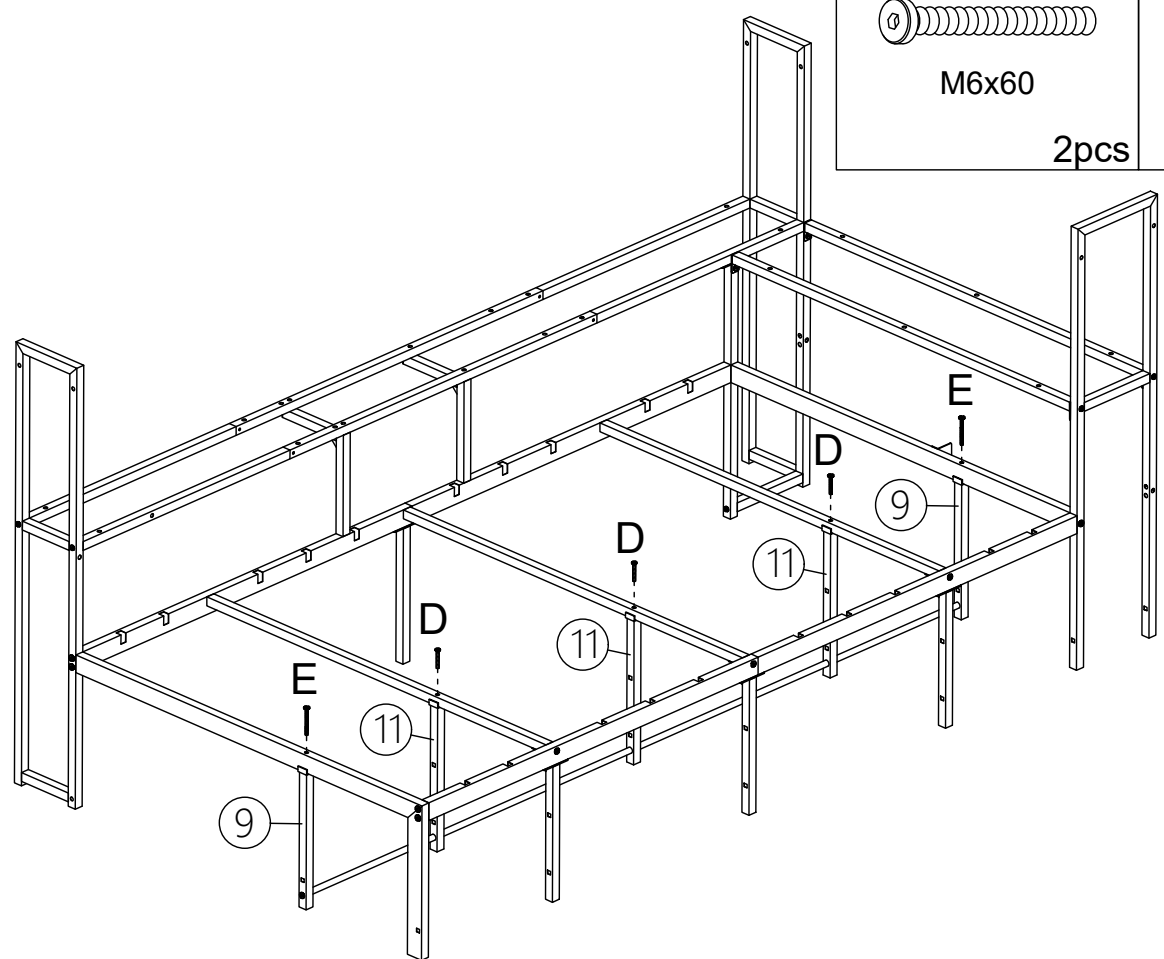
M6x40

1pc

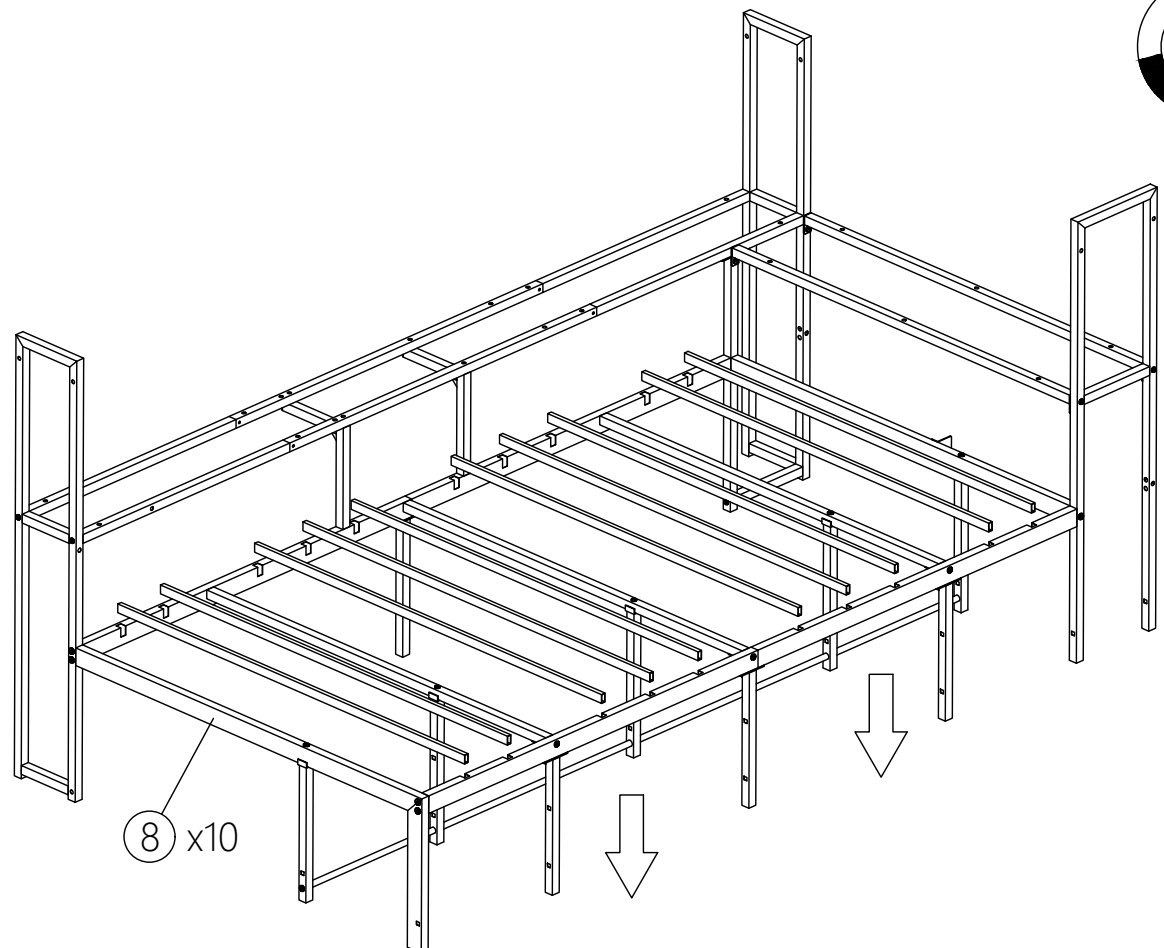
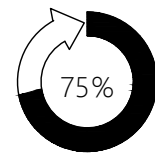


Step 19

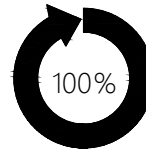
E	D
	
M6x60	M6x40
2pcs	3pcs



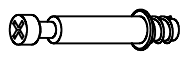
Step 20



Step 21

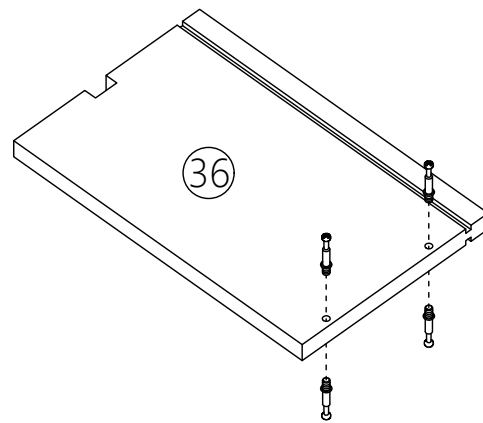
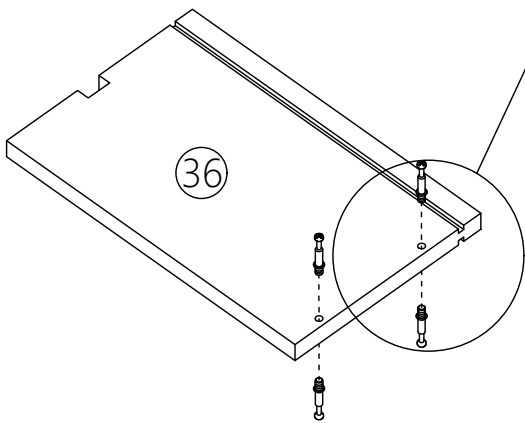
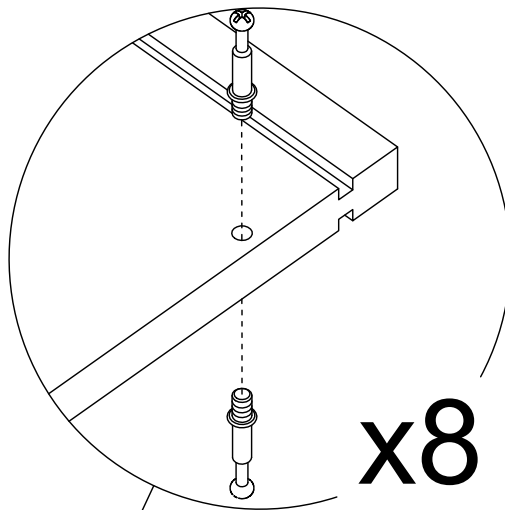
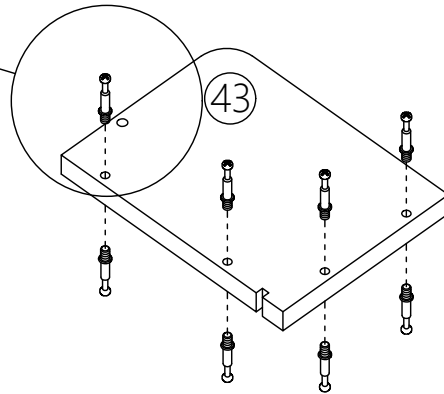
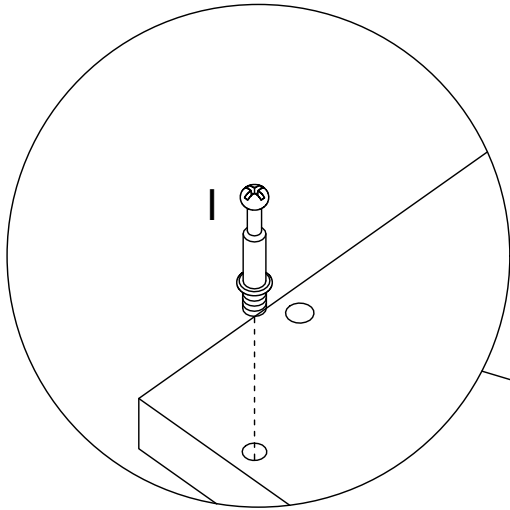


I

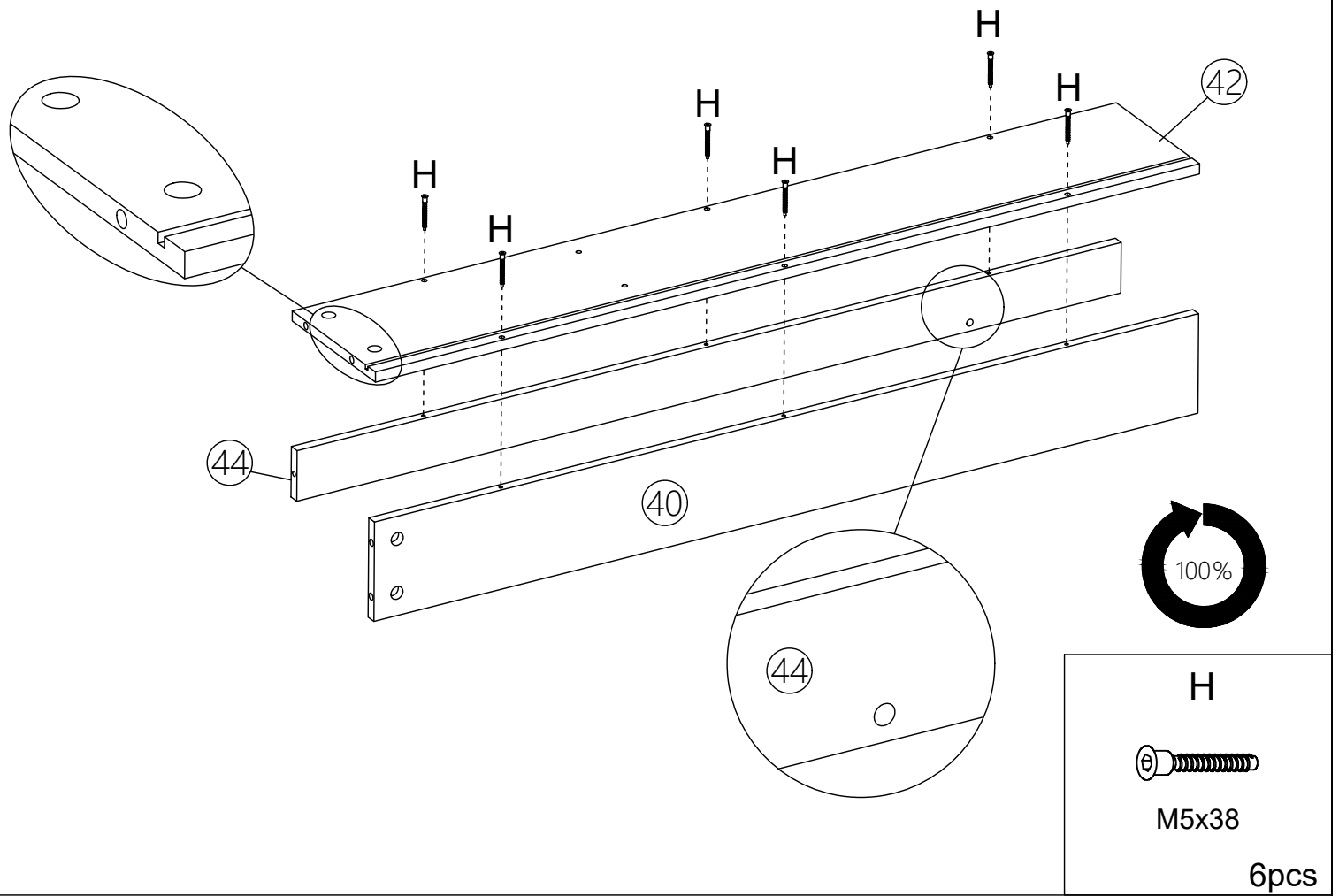


Ø6x35

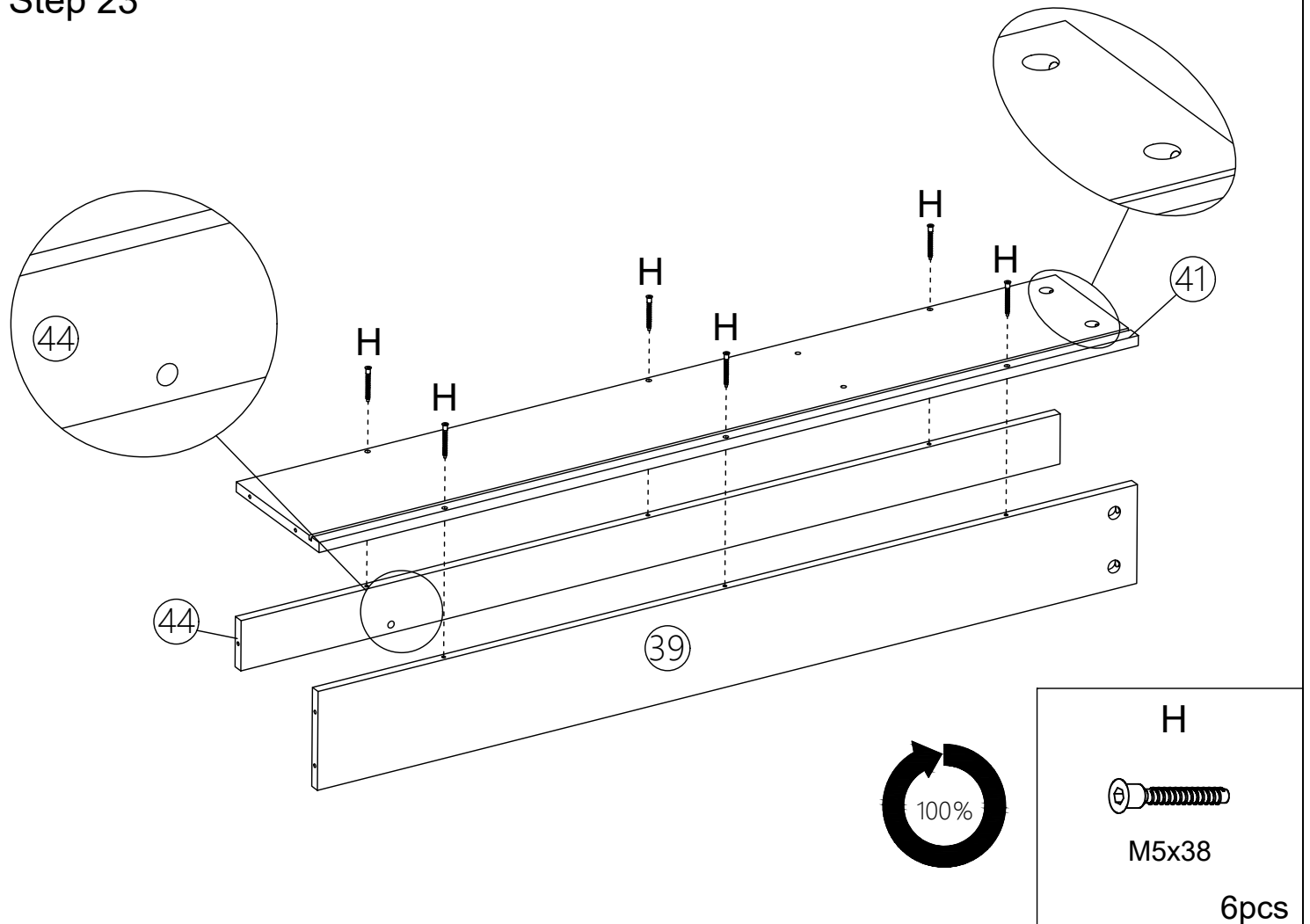
16pcs



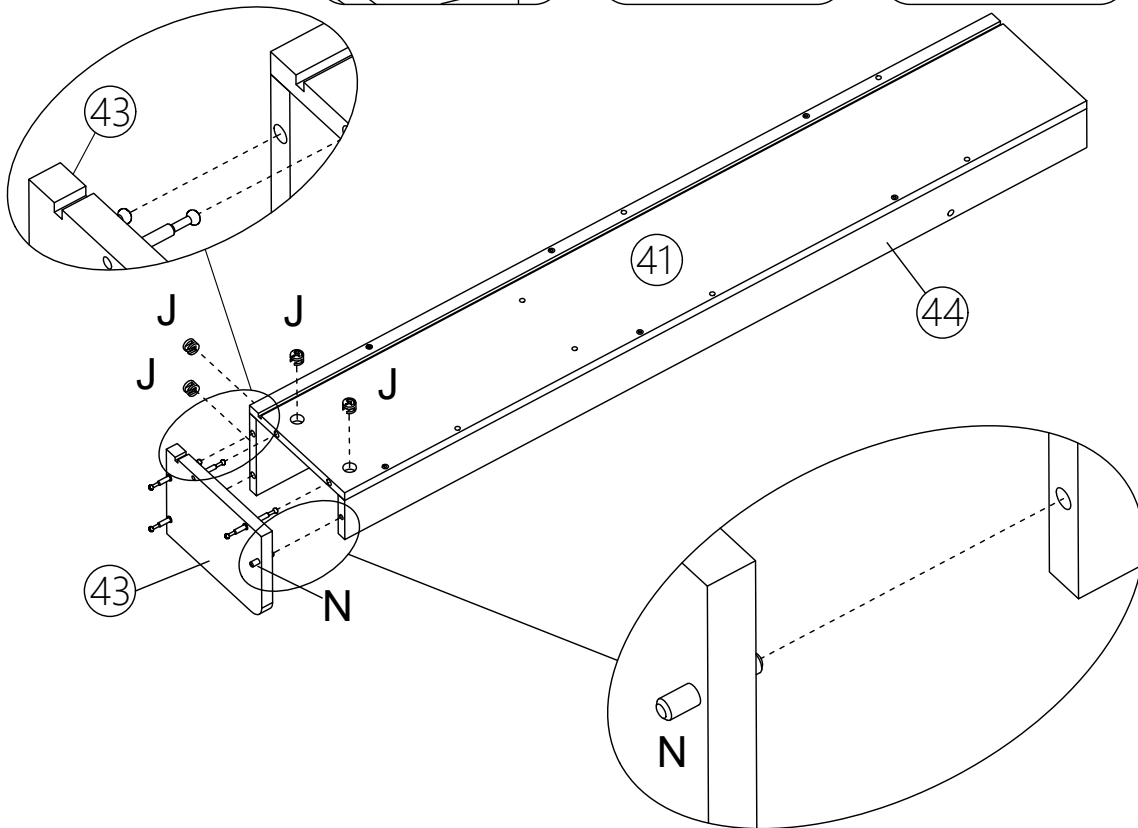
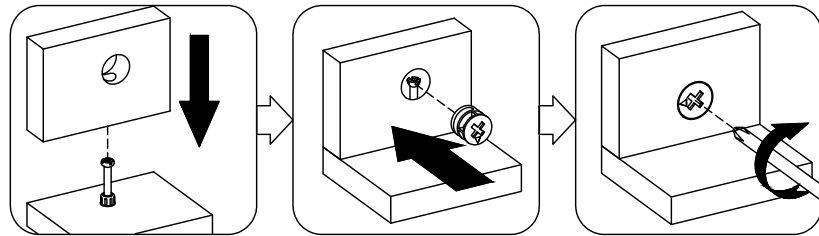
Step 22



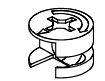
Step 23



Step 24



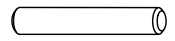
J



Ø15x10

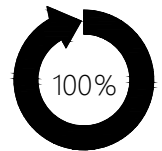
4pcs

N

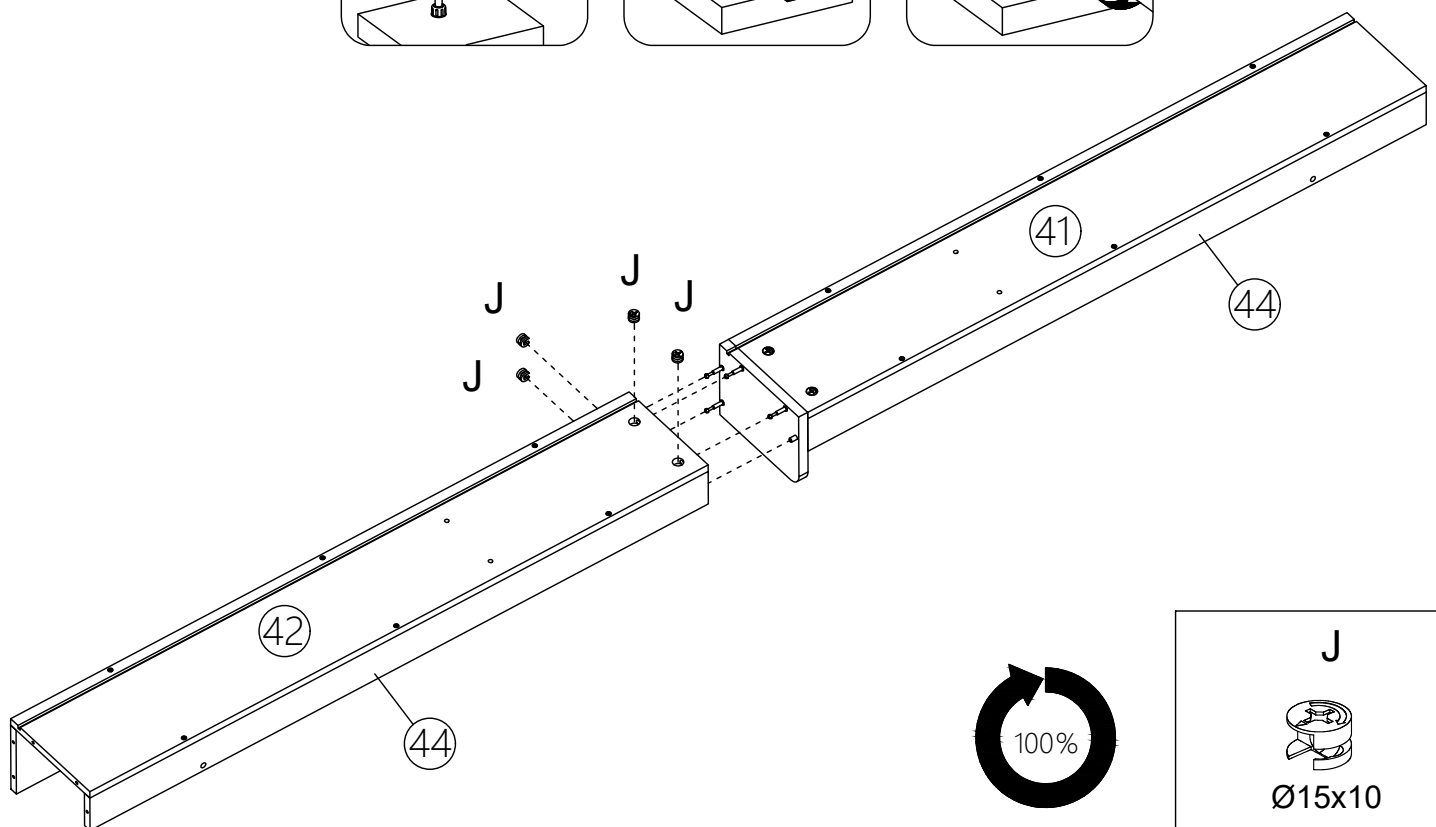
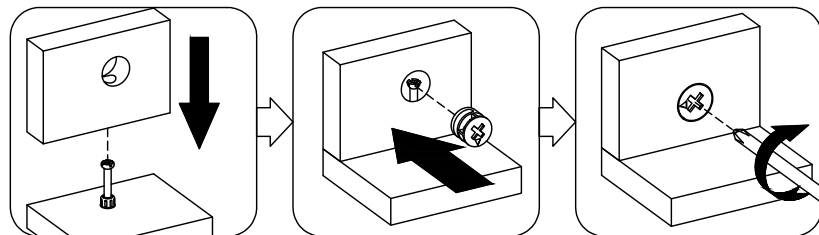


Ø6x60

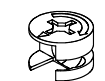
1pc



Step 25

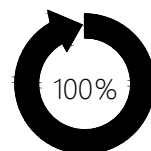


J

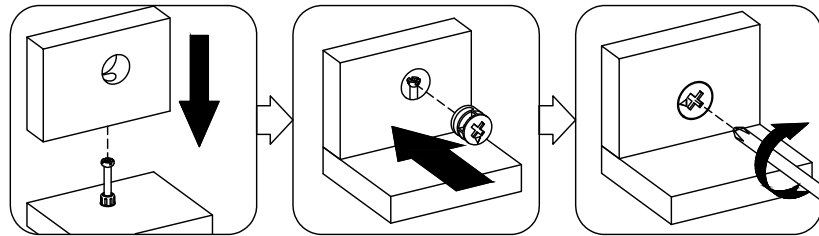


Ø15x10

4pcs

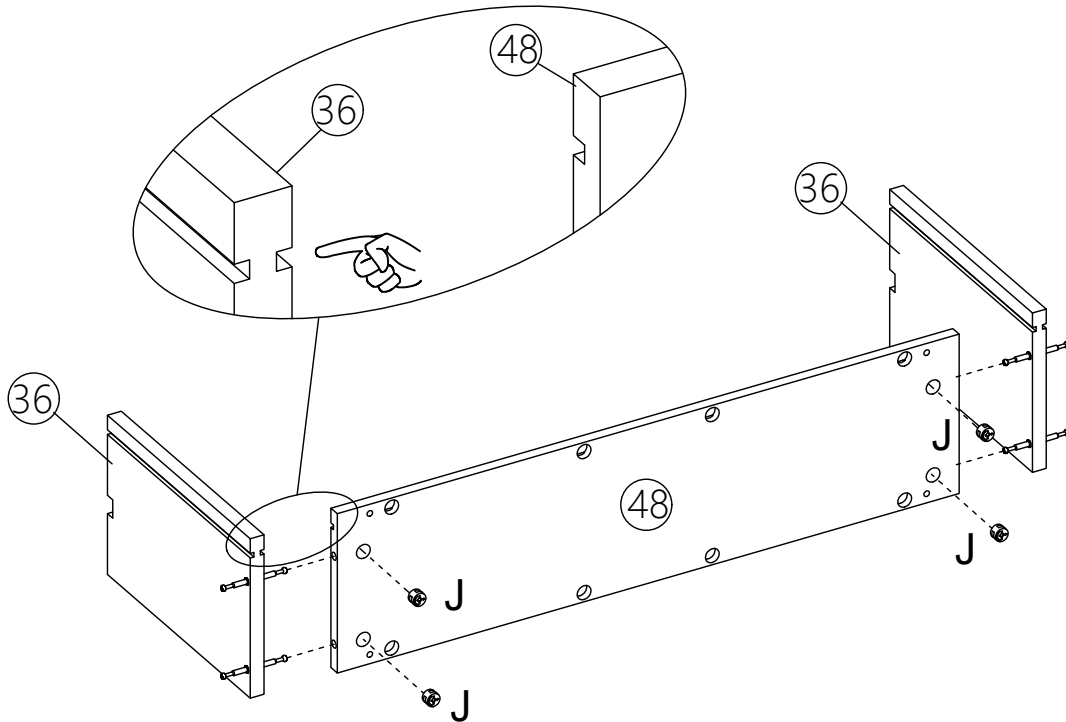
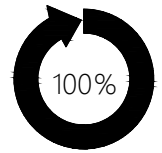


Step 26

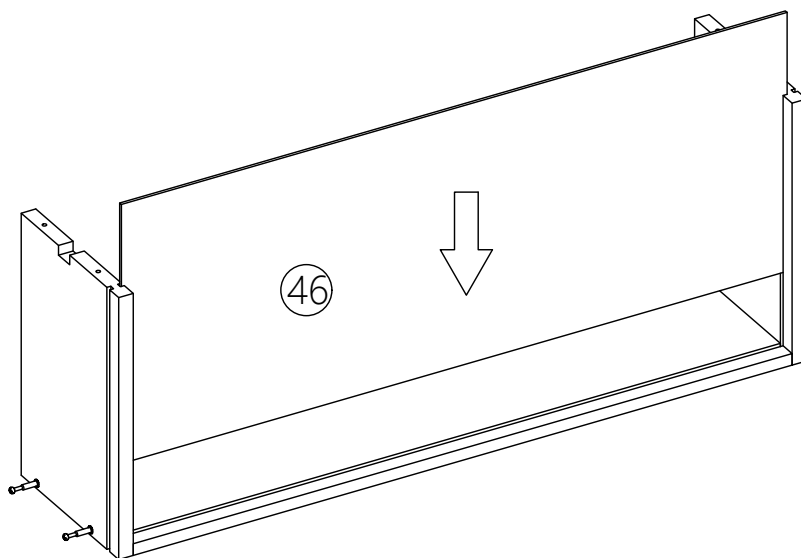


J
Ø15x10

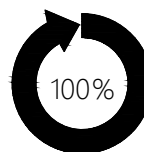
4pcs




Step 27



Step 28



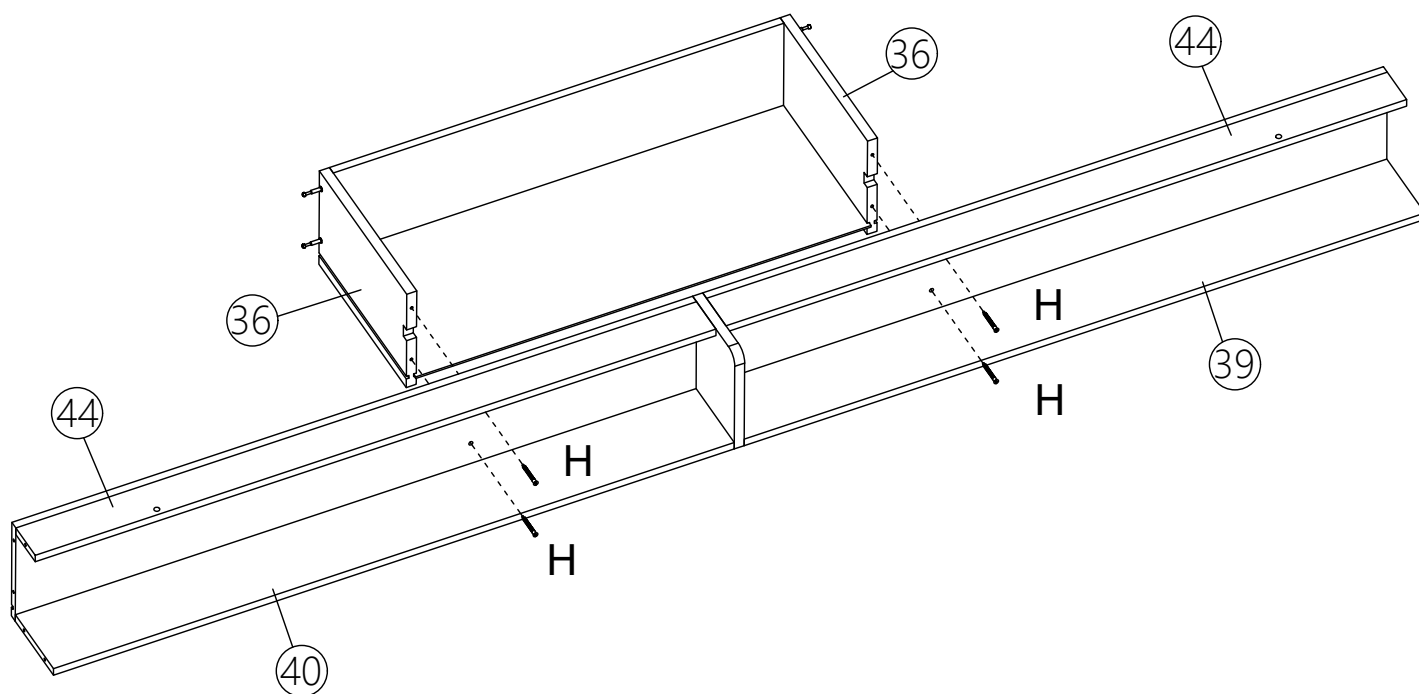
H



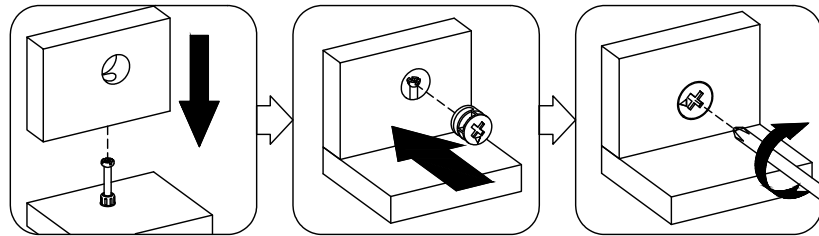
M5x38

4pcs

Pay attention to the direction of the parts

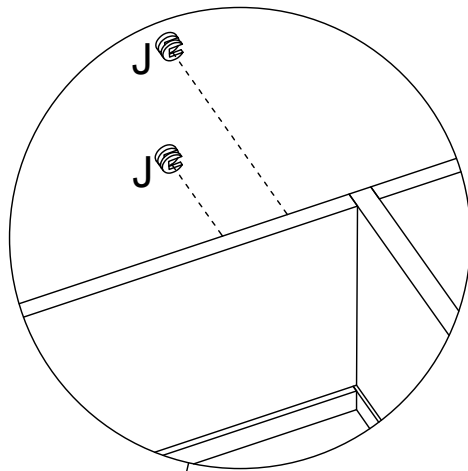
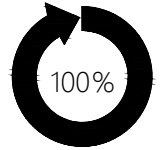


Step 29

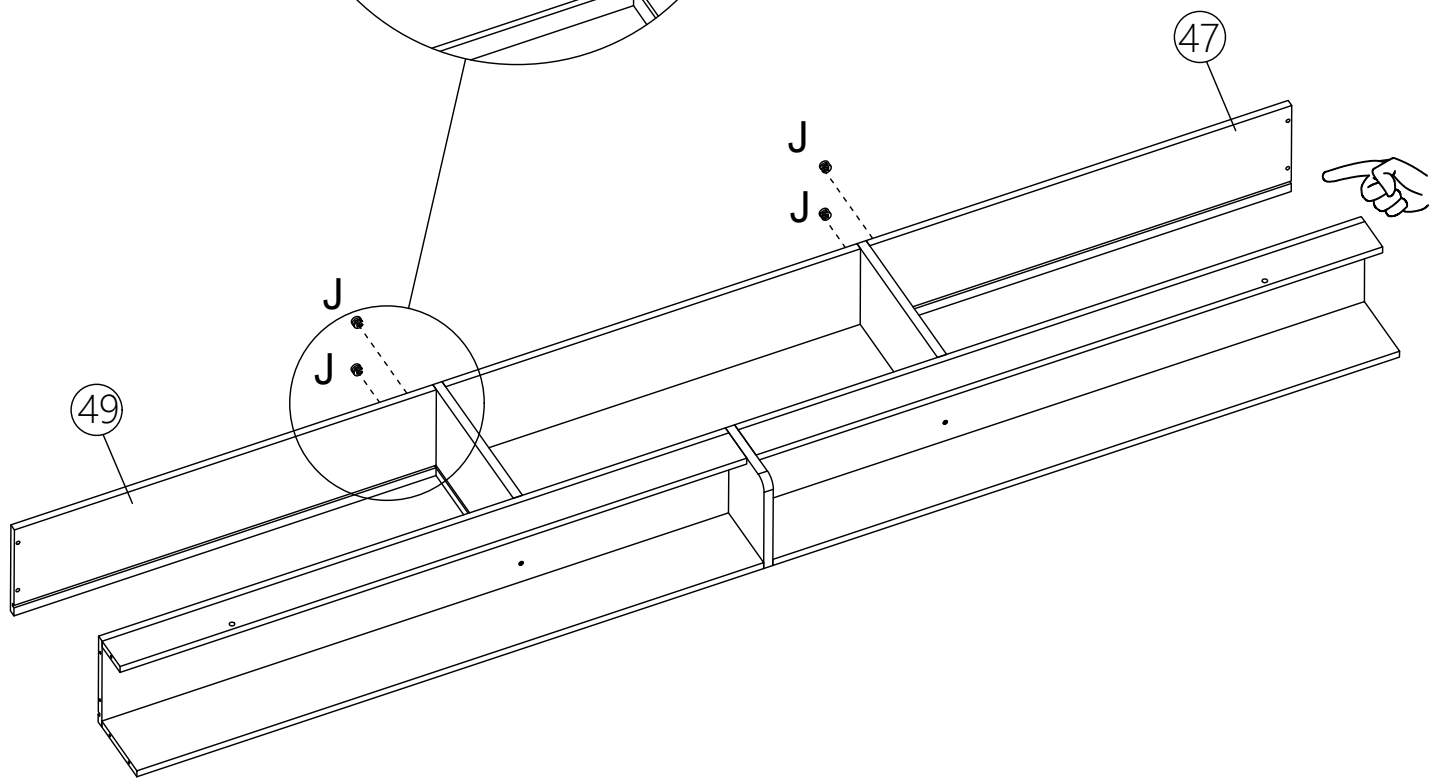


J
Ø15x10

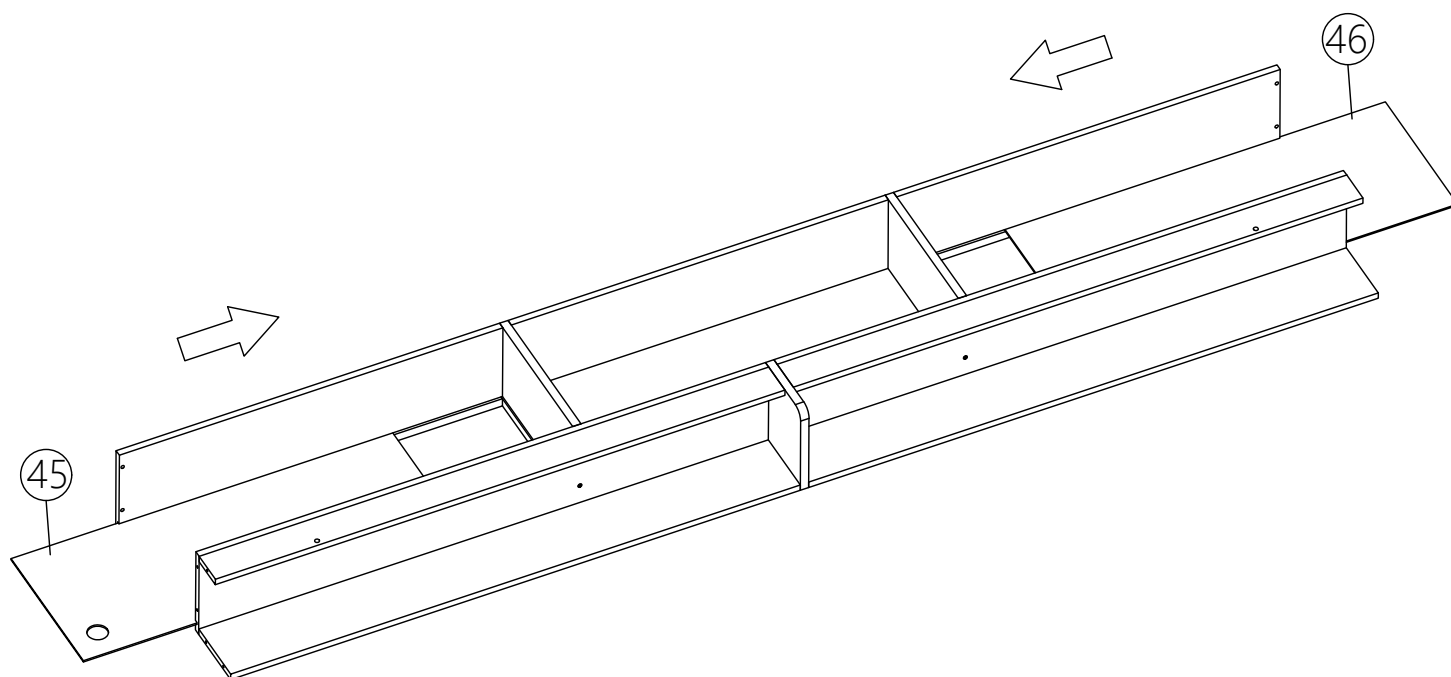
4pcs



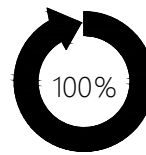
Pay attention
to this groove.



Step 30



Step 31

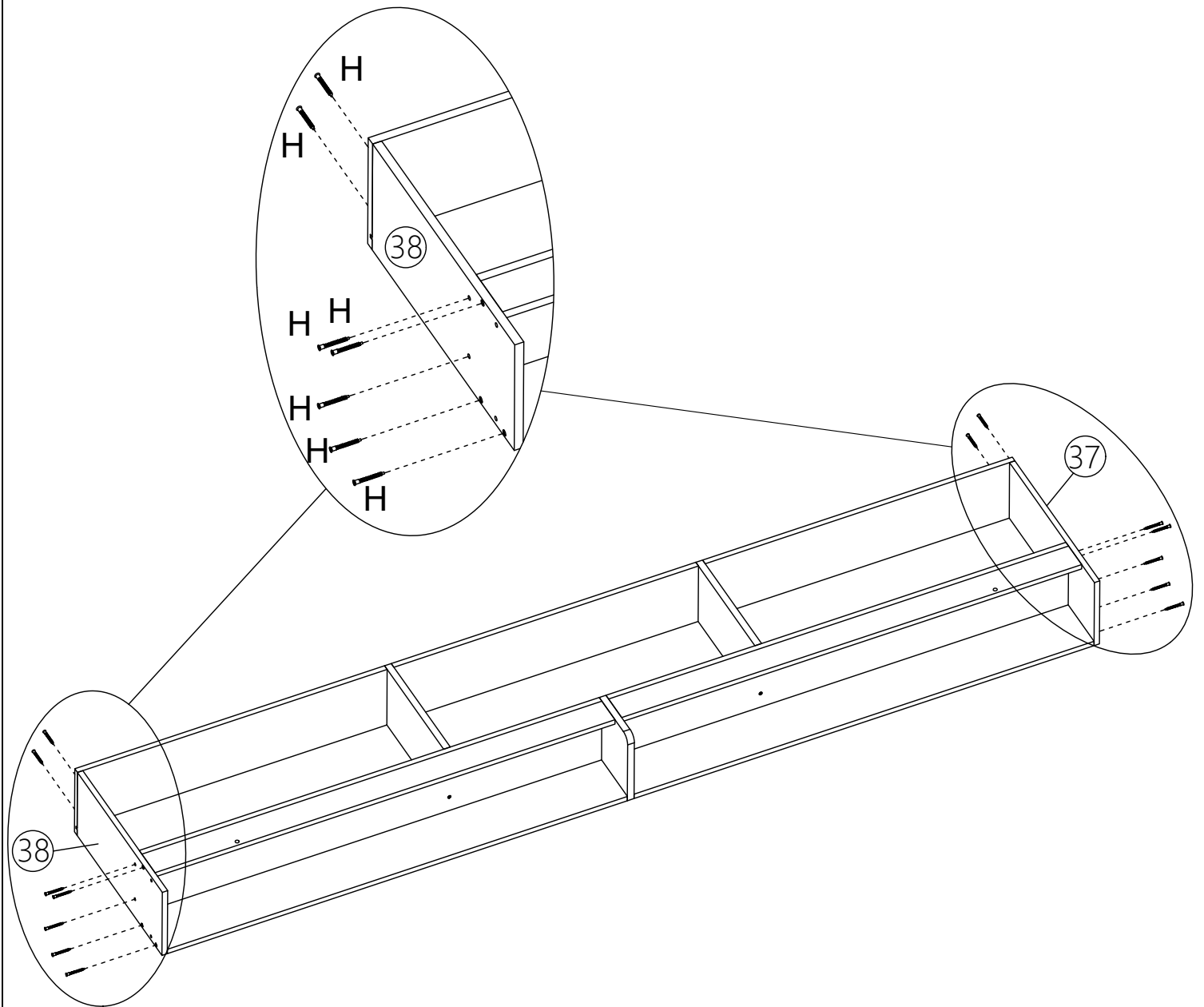


H

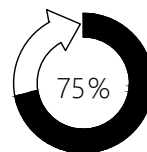


M5x38

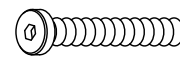
14pcs



Step 32

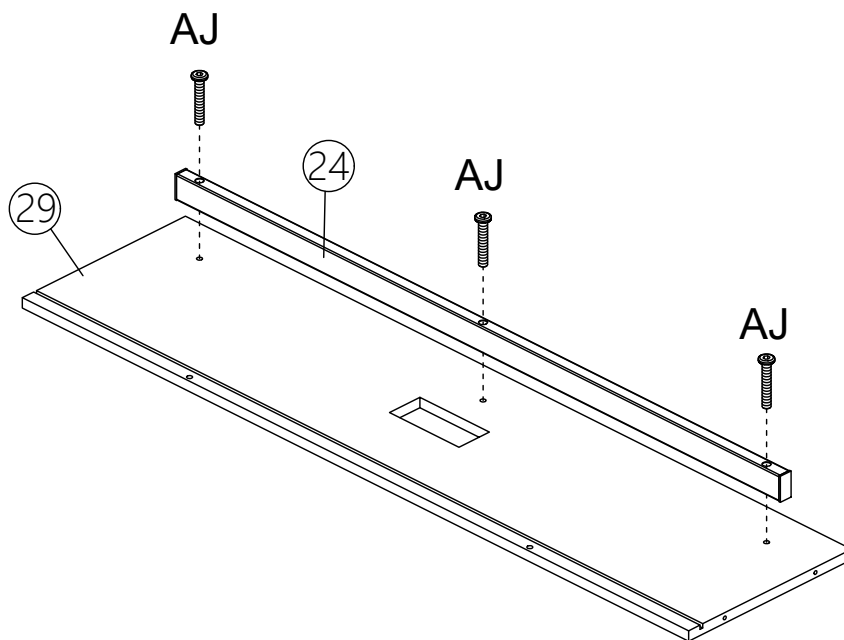


AJ



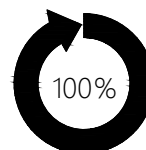
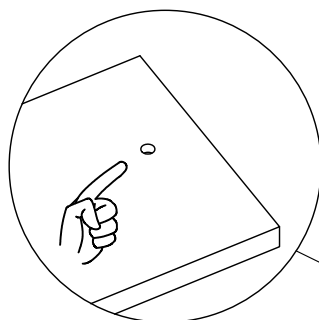
M6x40

3pcs



Step 33

Pay attention to this hole.

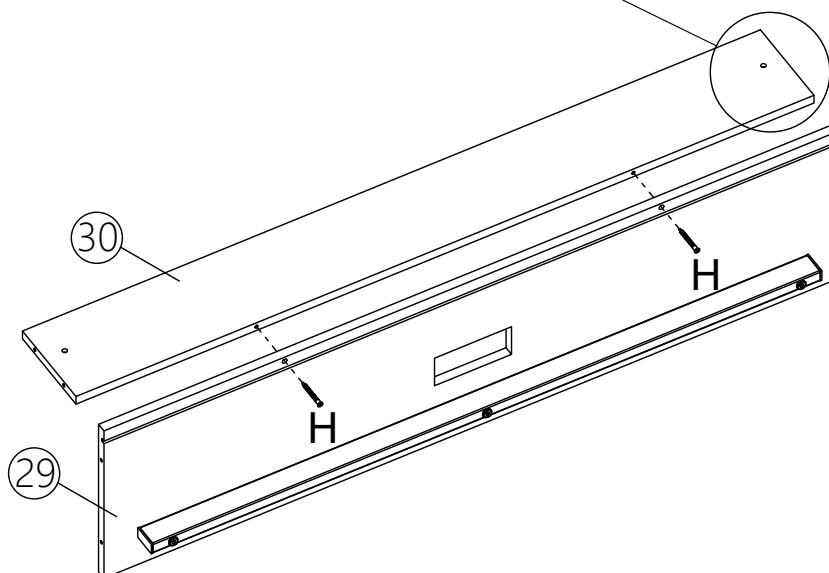


H

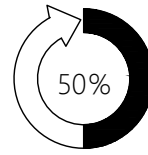


M5x38

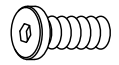
2pcs



Step 34



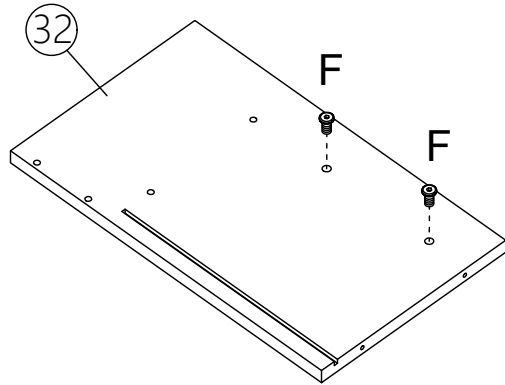
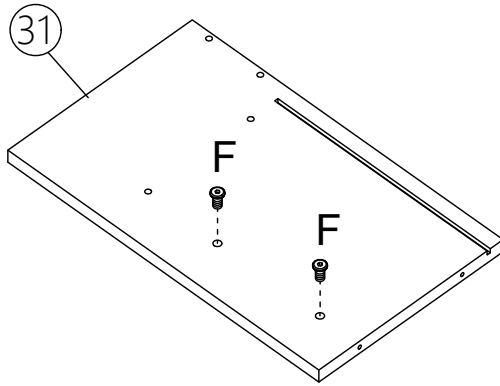
F



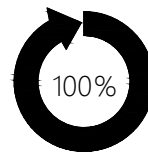
M8x12

4pcs

Tighten the screw by 50%



Step 35

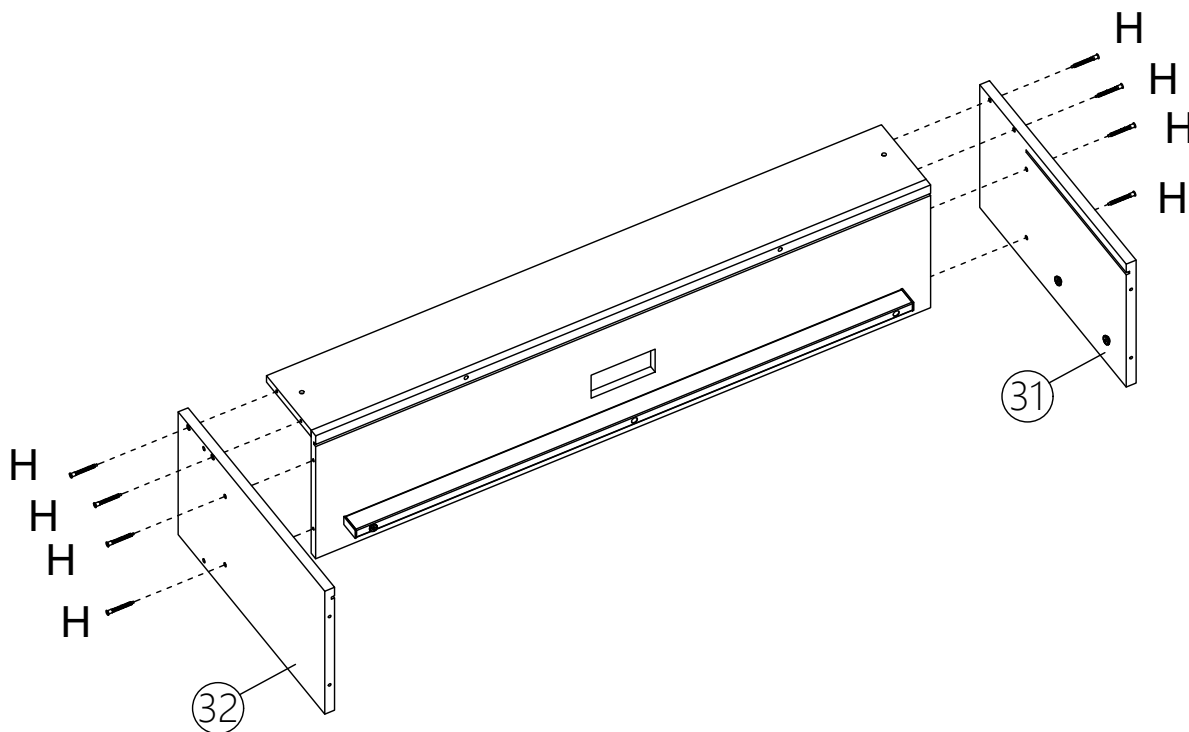


H

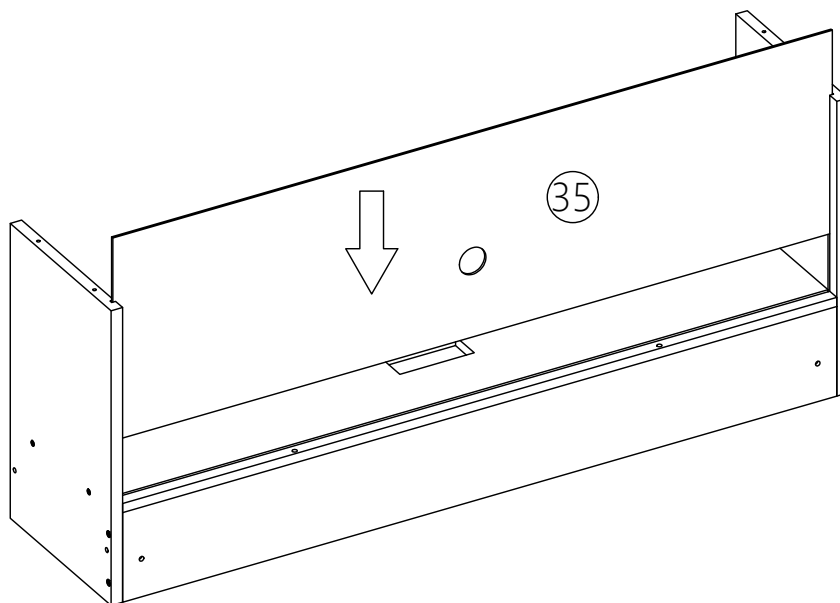


M5x38

8pcs

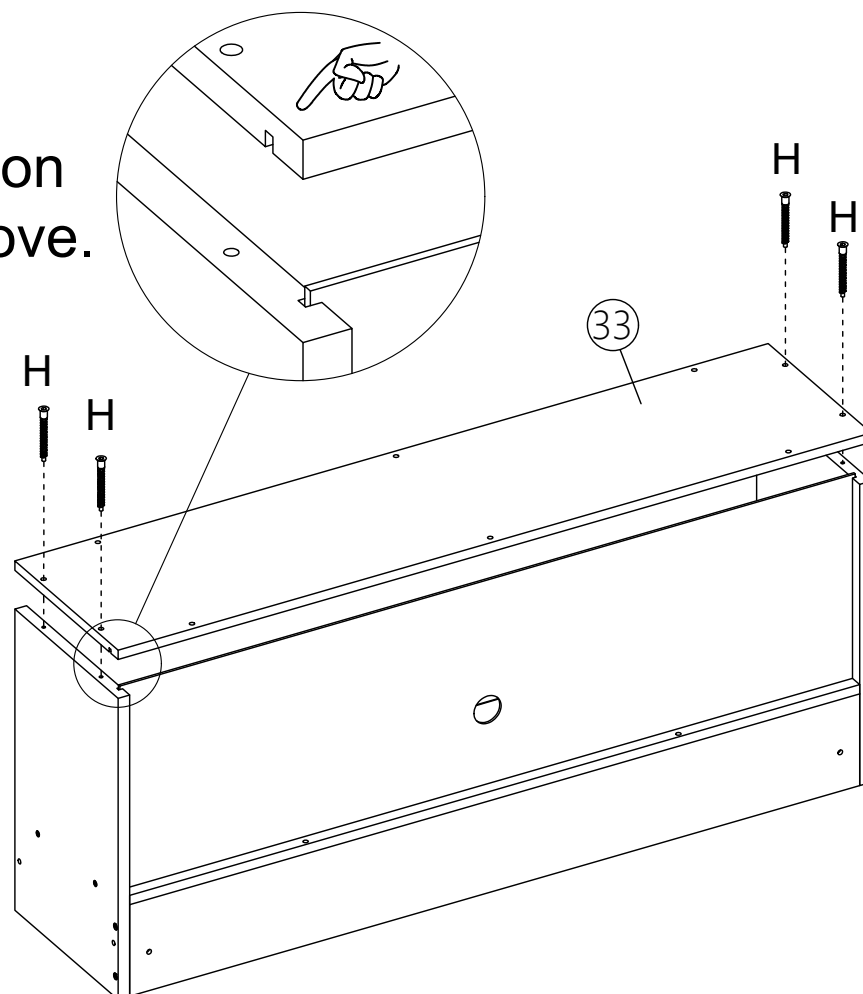


Step 36



Step 37

Pay attention to this groove.

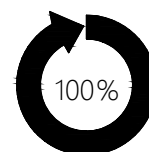


H



M5x38

4pcs



Step 38

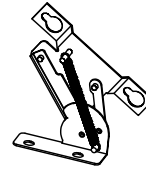
A



M6x12

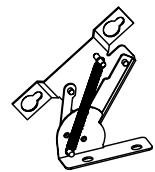
4pcs

AH

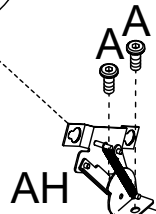
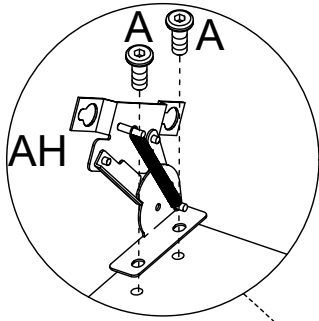


1pc

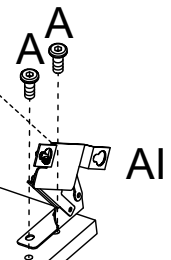
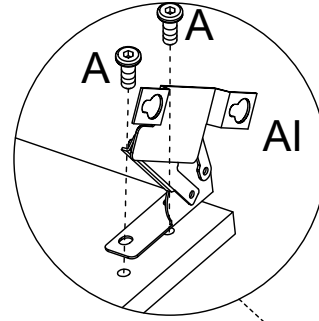
AI



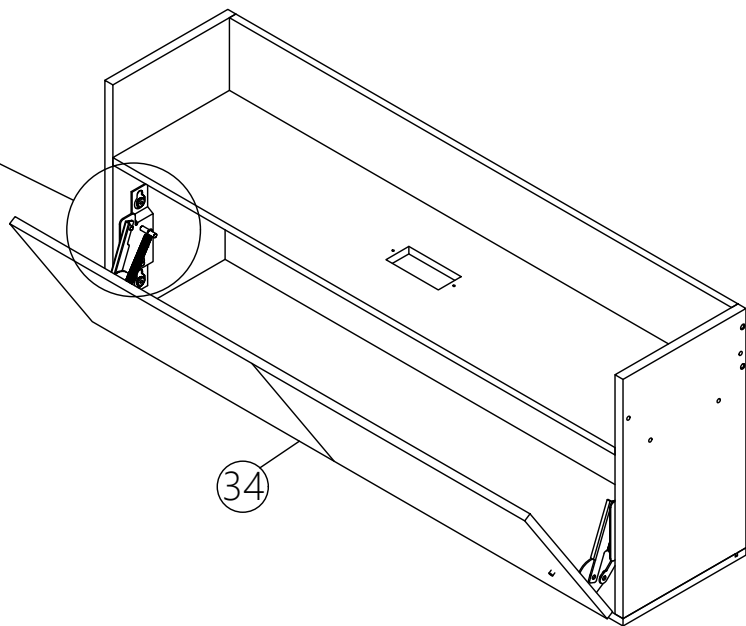
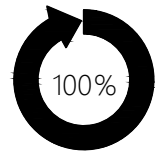
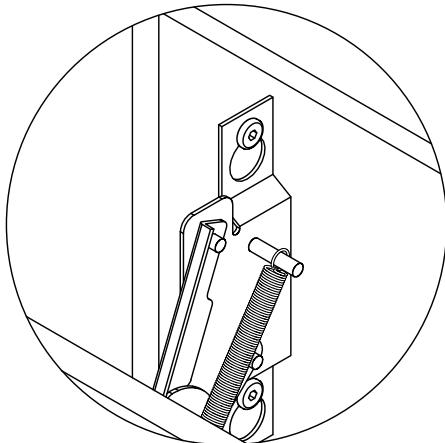
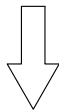
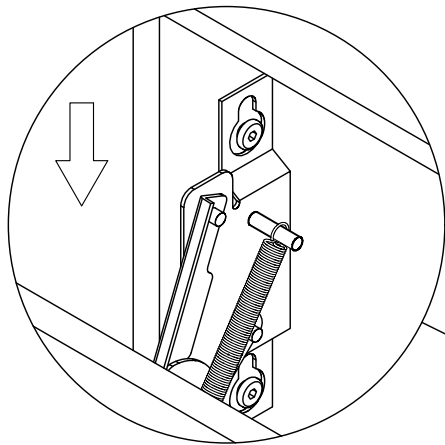
1pc



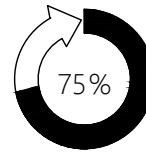
34



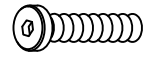
Step 39



Step 40

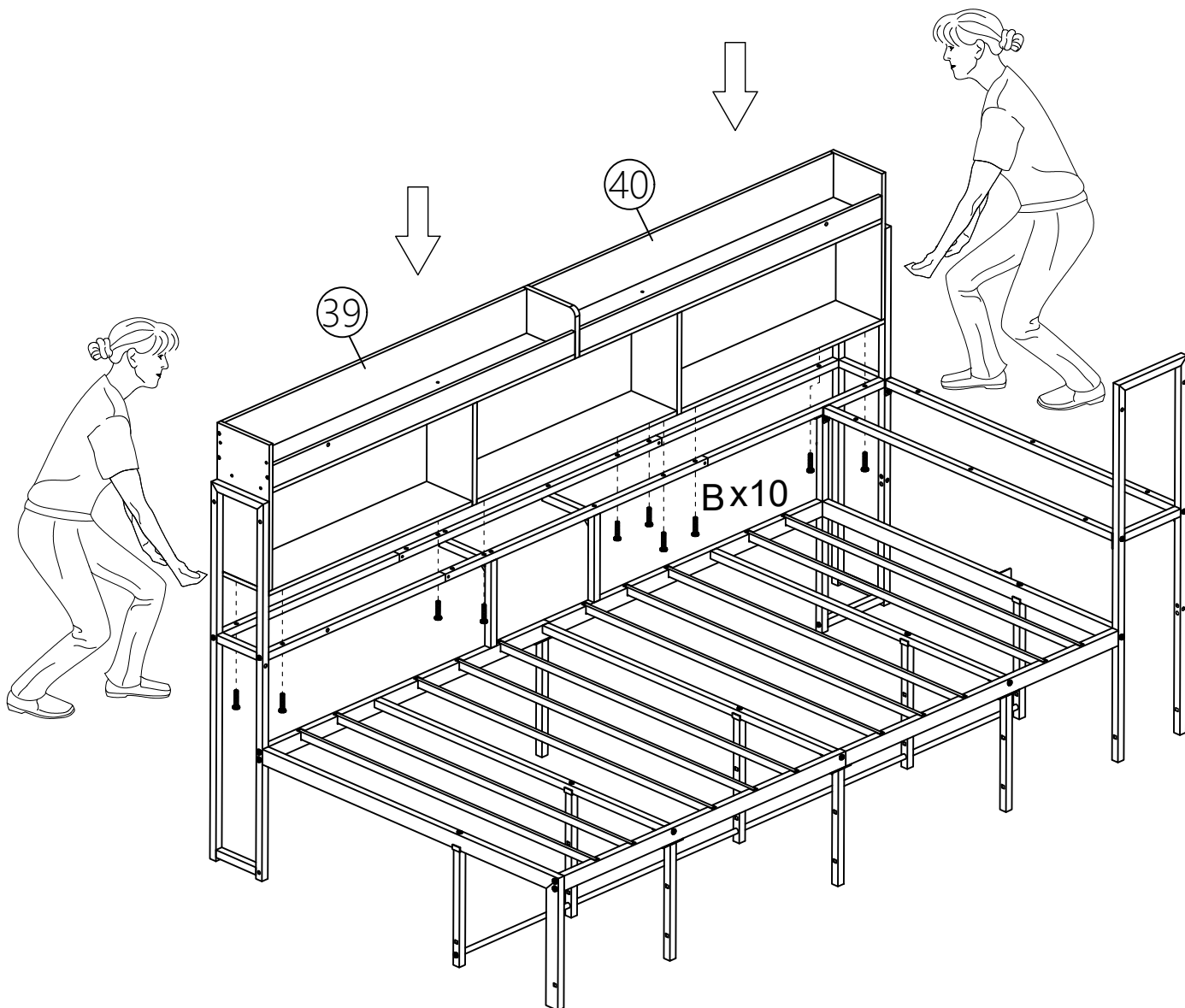


B

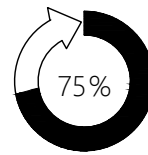


M6x28

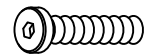
10pcs



Step 41

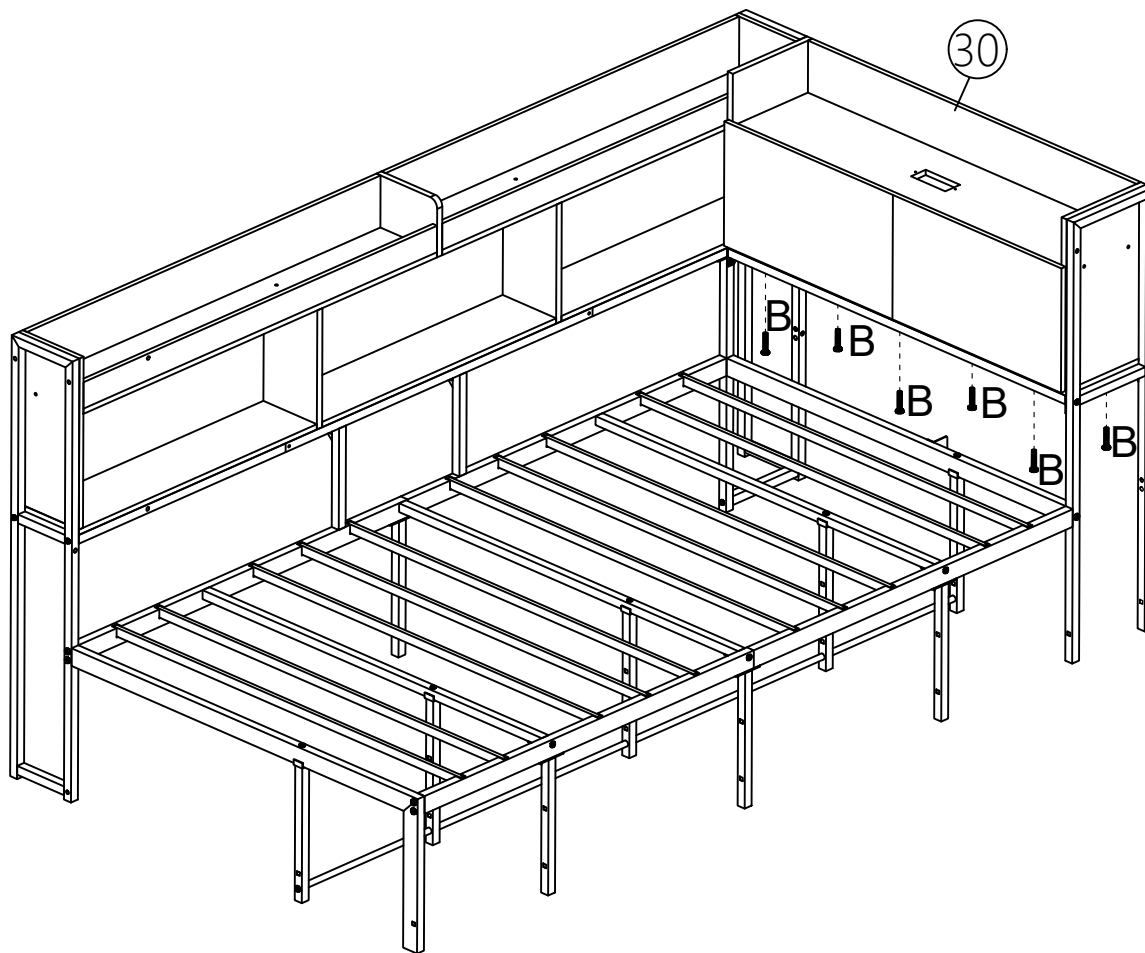


B

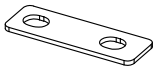
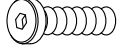
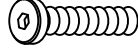
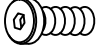


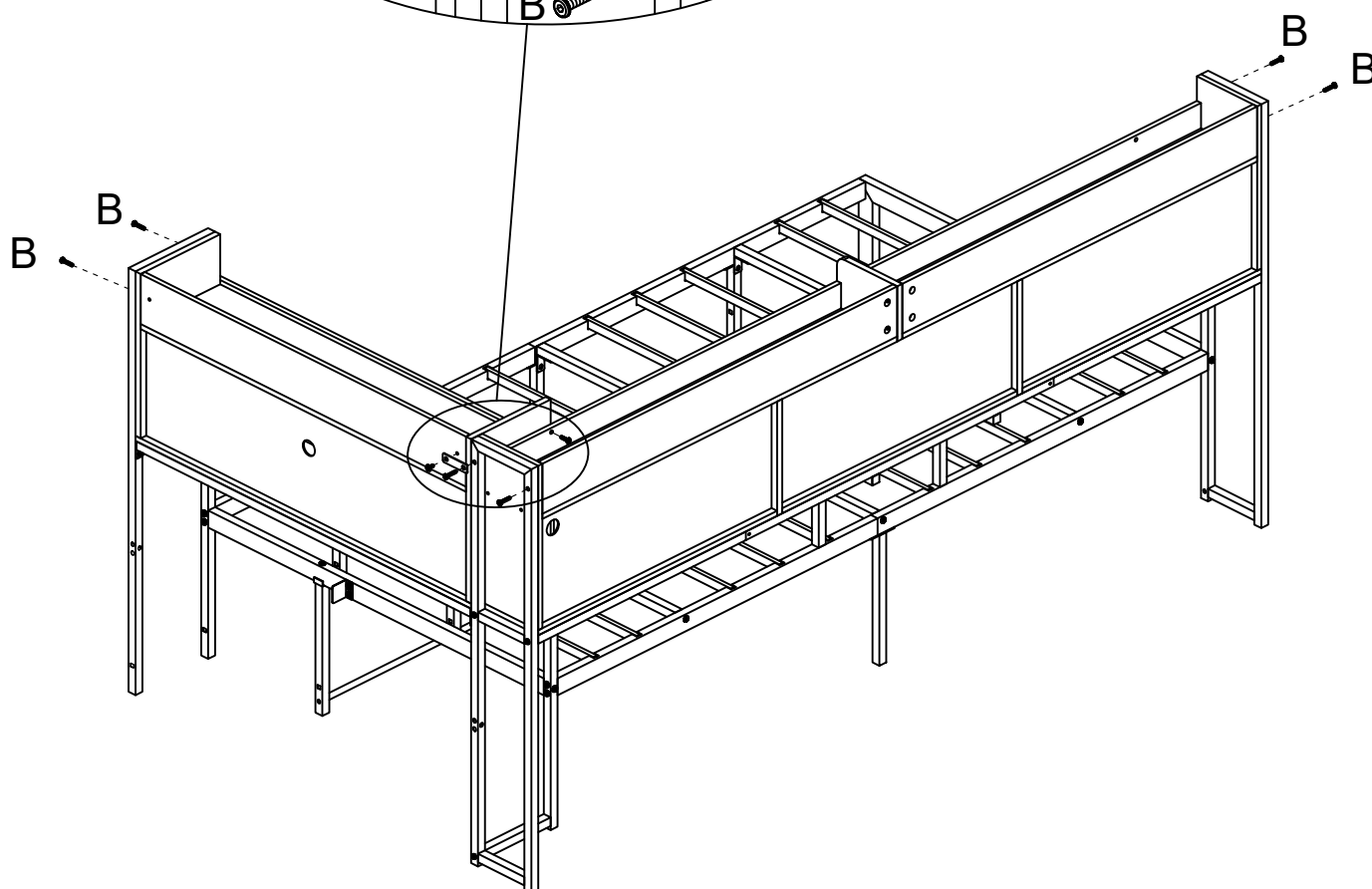
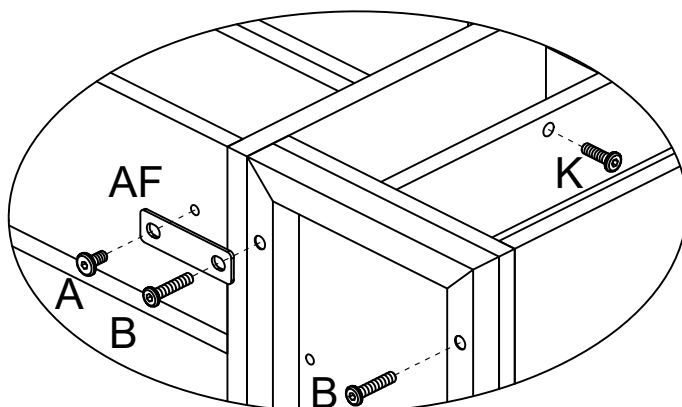
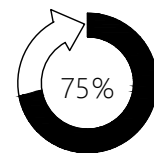
M6x28

6pcs

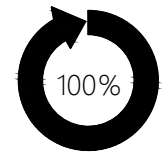
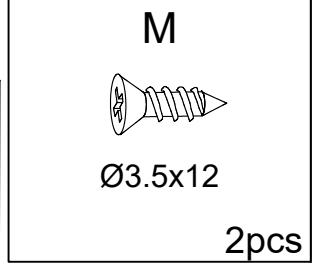
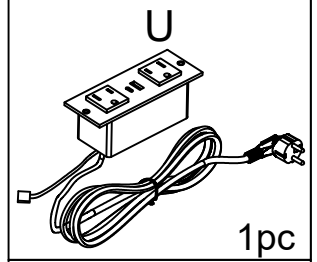
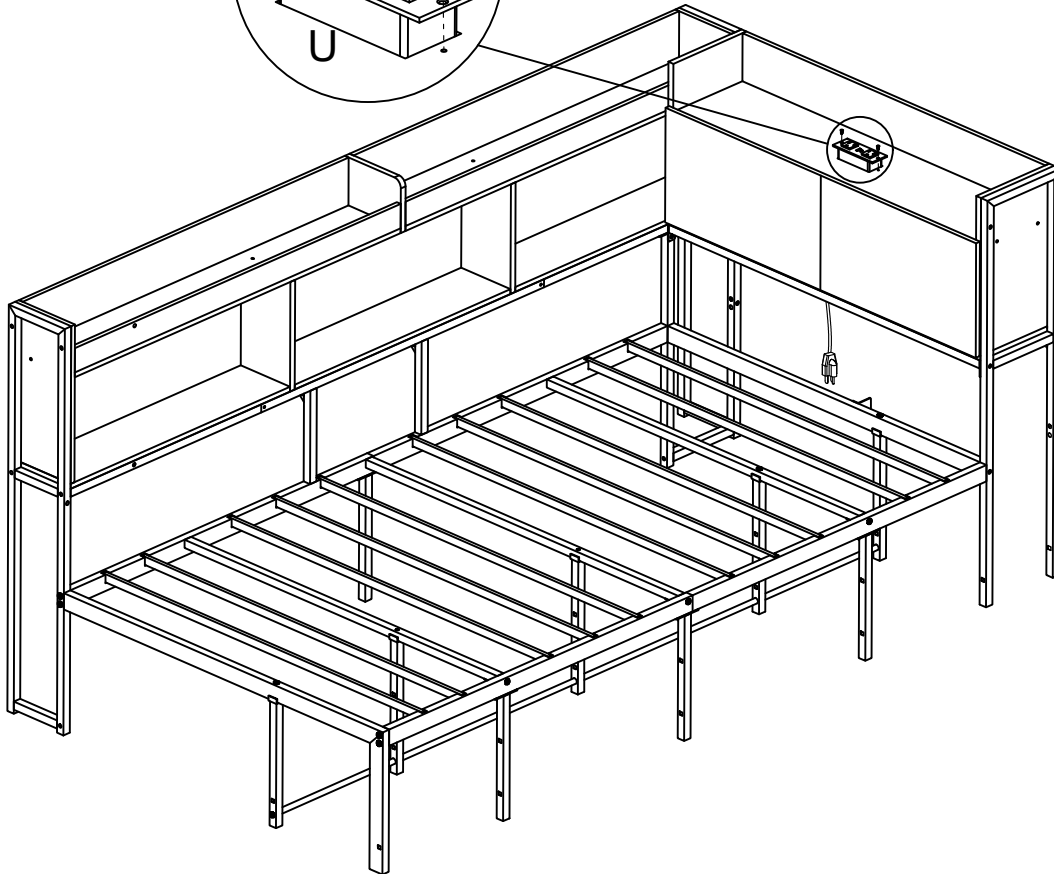
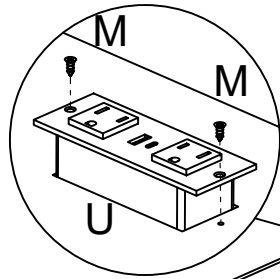


Step 42

<p>AF</p>  <p>1pc</p>	<p>K</p>  <p>M6x20</p> <p>1pc</p>	<p>B</p>  <p>M6x28</p> <p>6pcs</p>	<p>A</p>  <p>M6x12</p> <p>1pc</p>
--	--	---	--

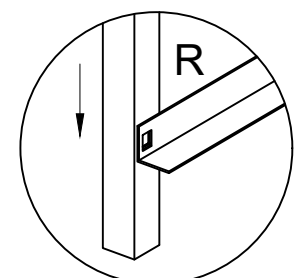
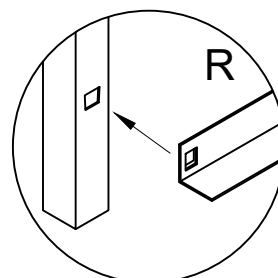
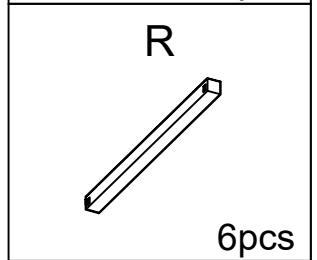
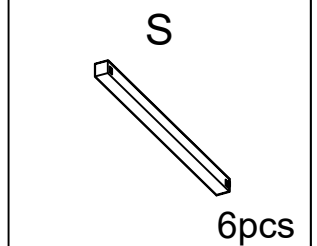
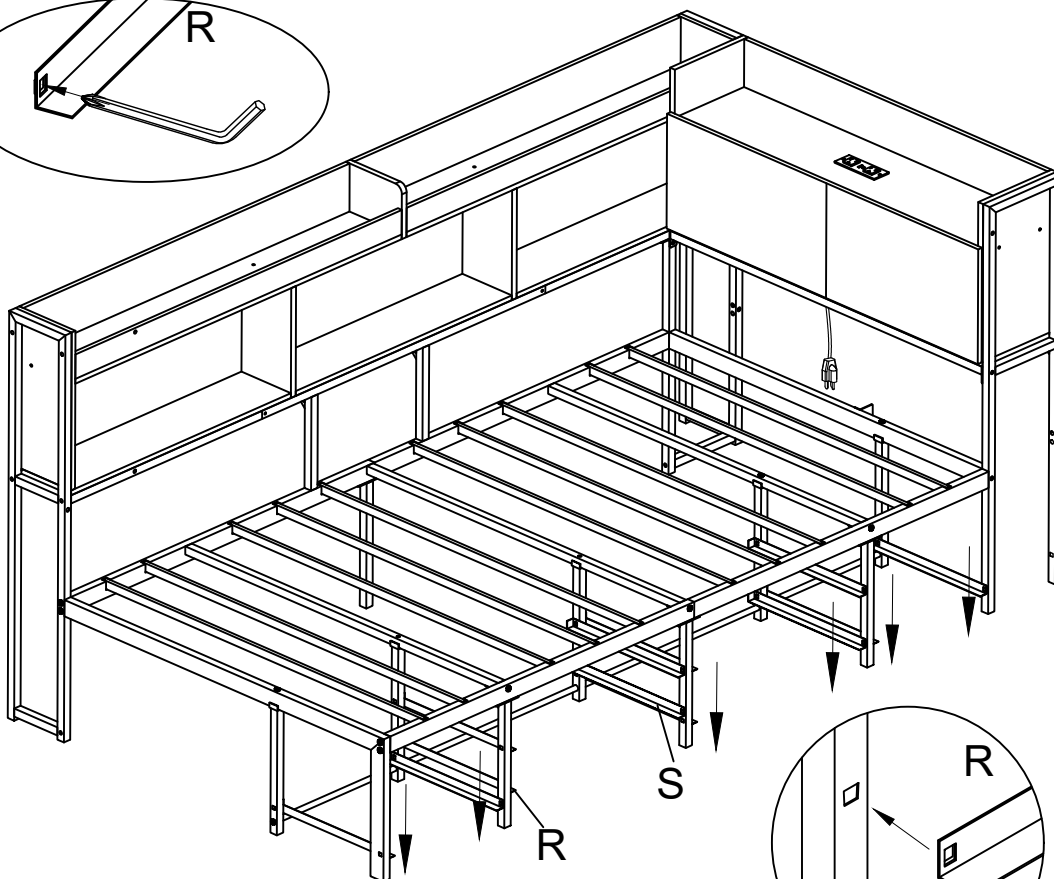
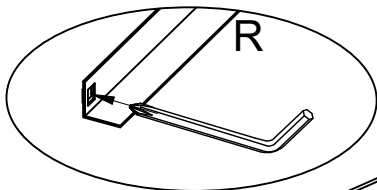


Step 43

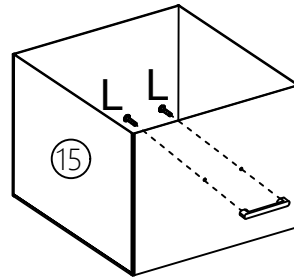
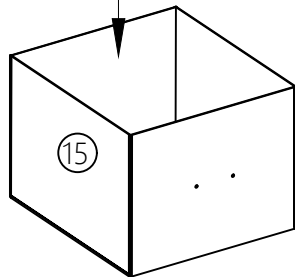
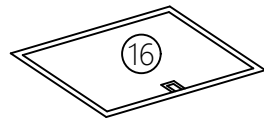


Step 44

It can snap directly into place.



Step 45



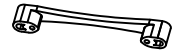
L



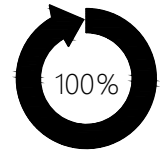
M4x10

12pcs

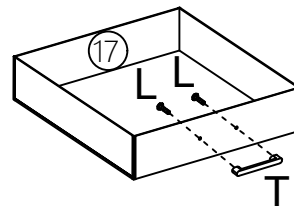
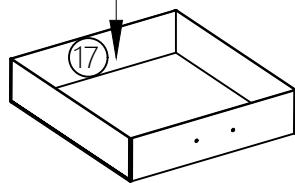
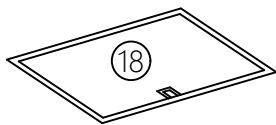
T



6pcs

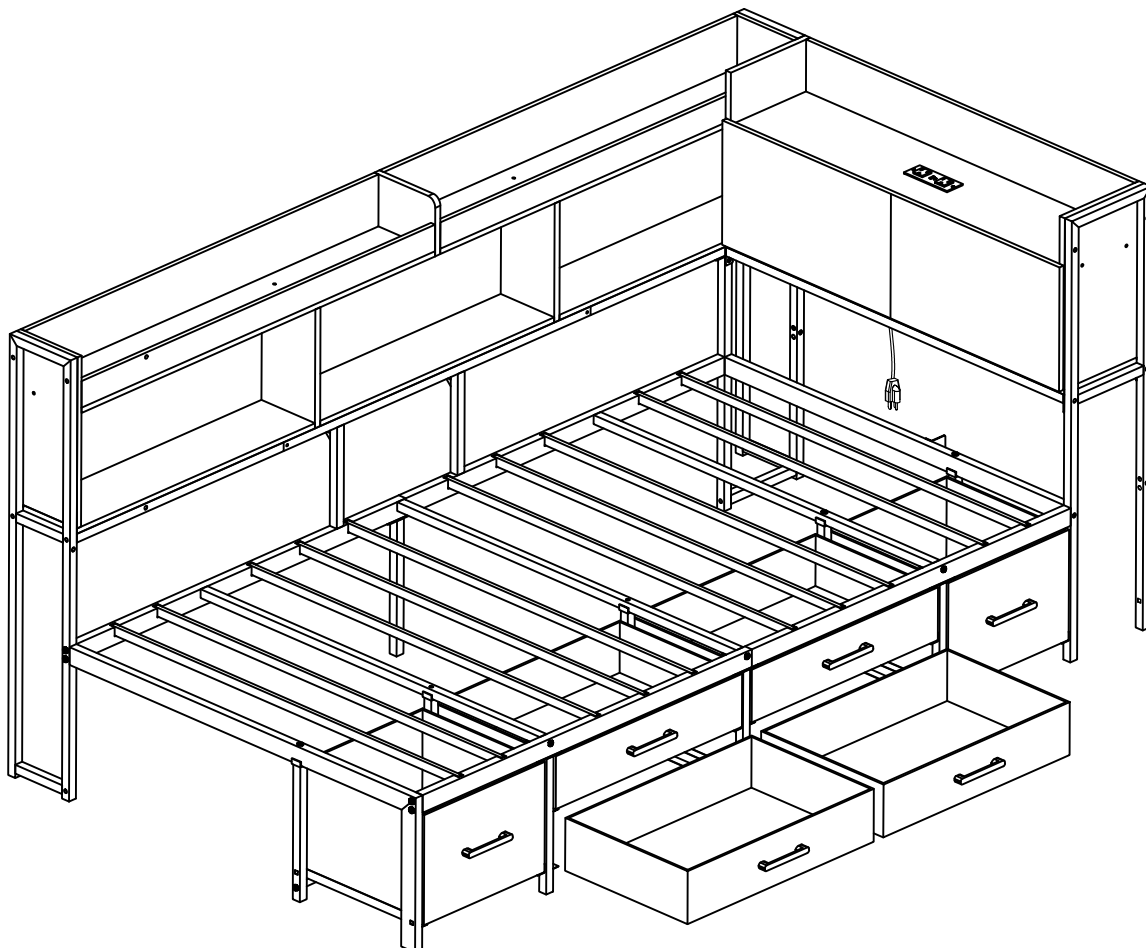


x2



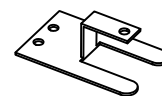
x4

Step 46

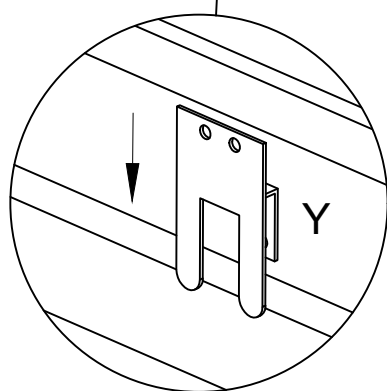
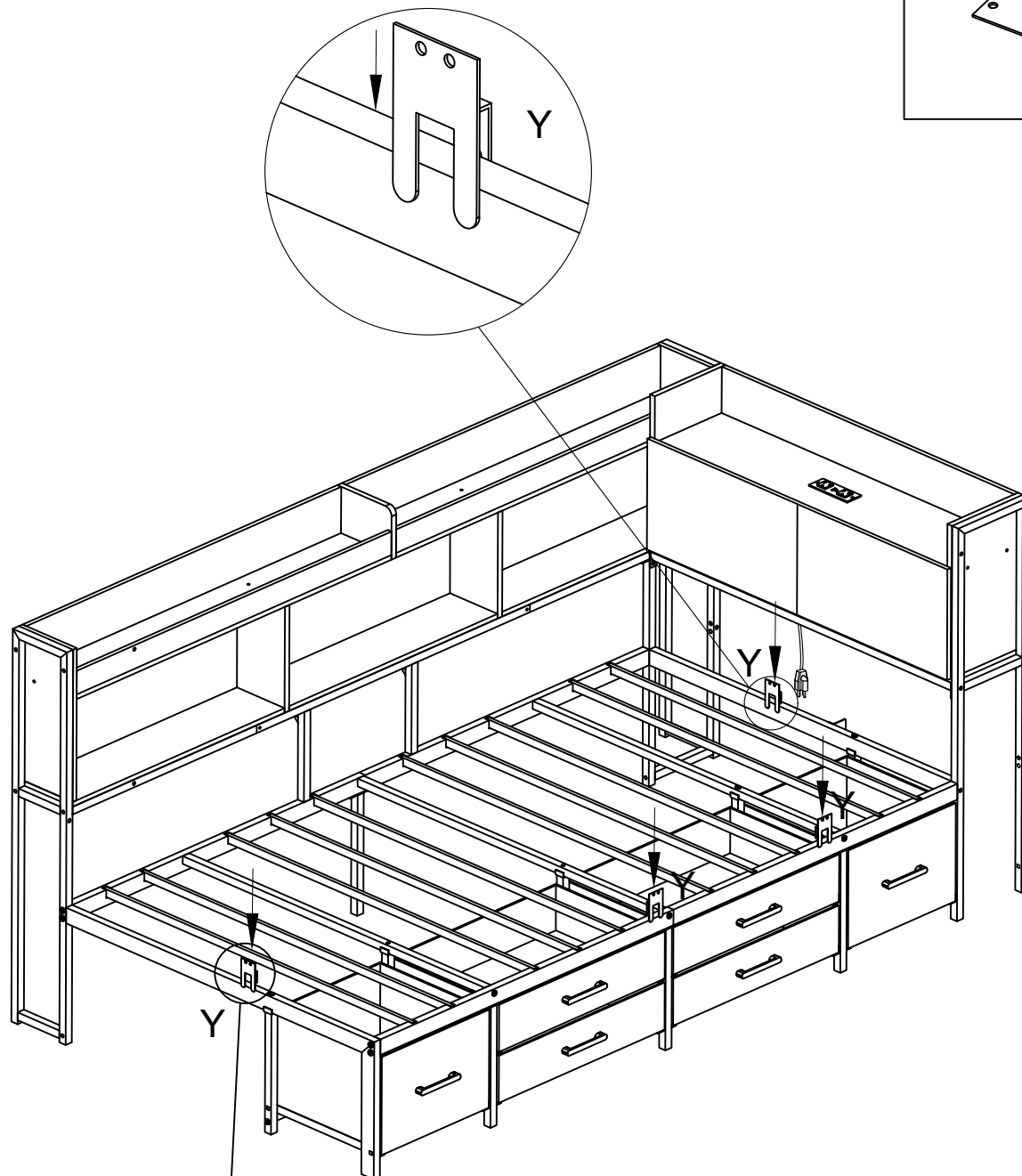


Step 47

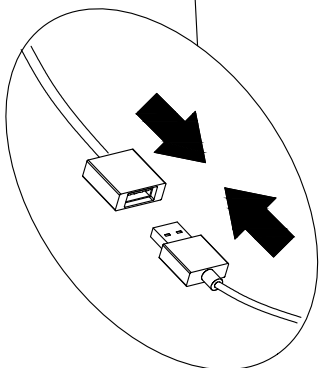
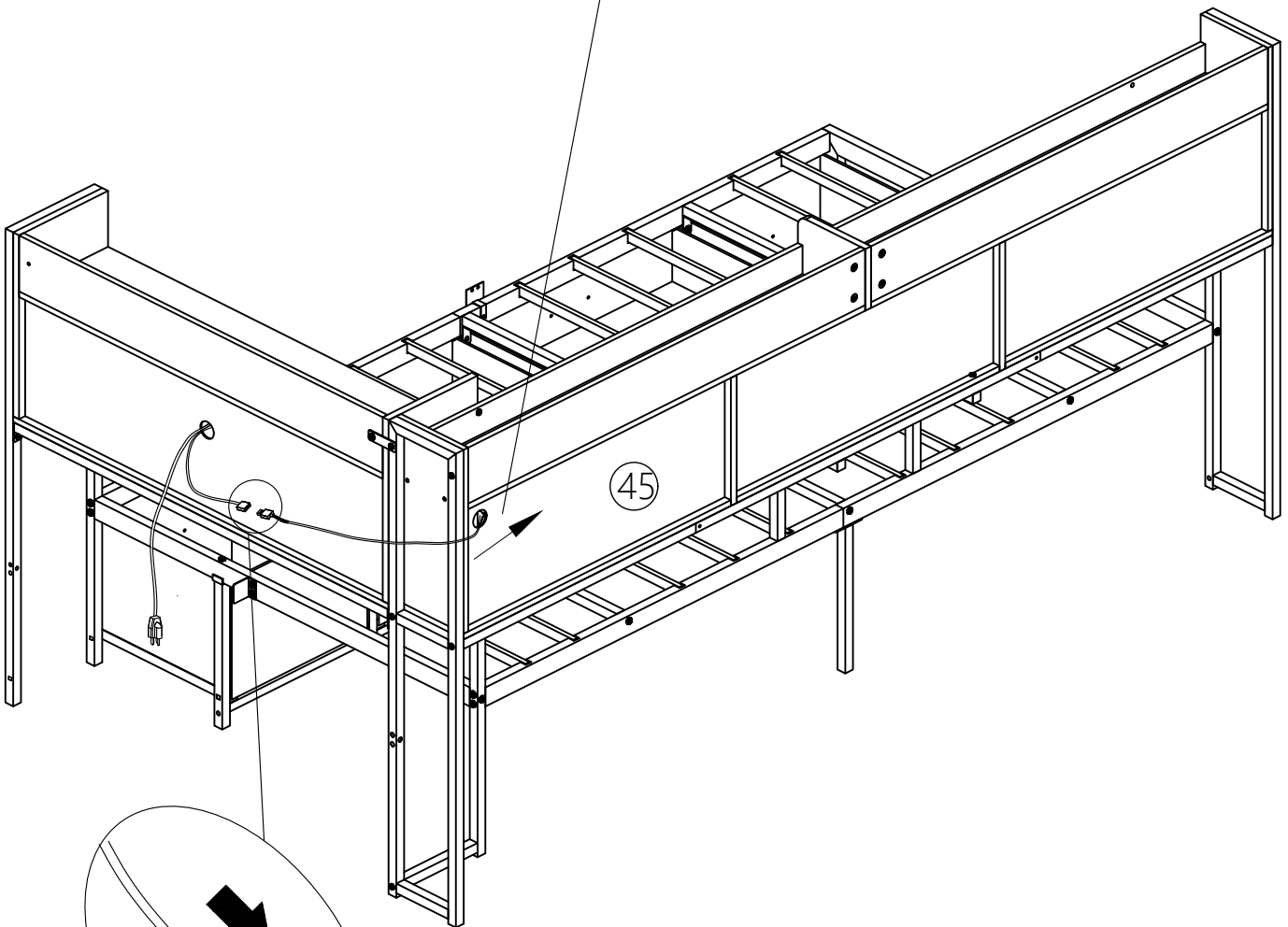
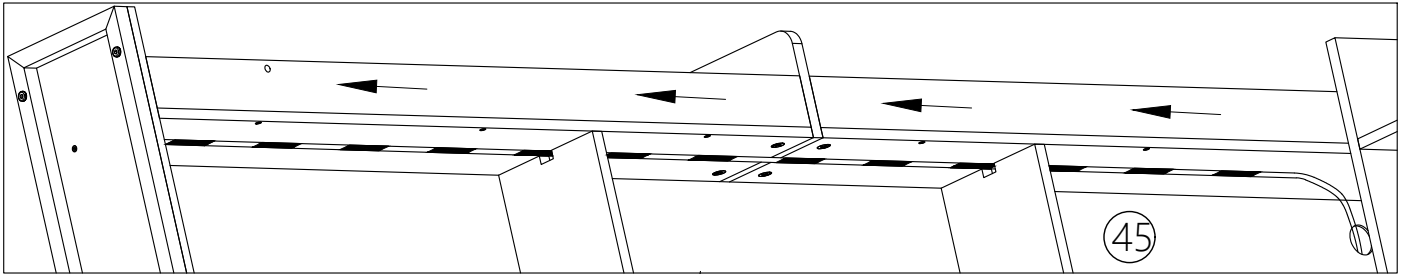
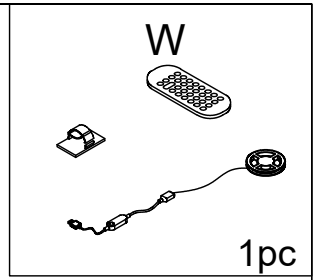
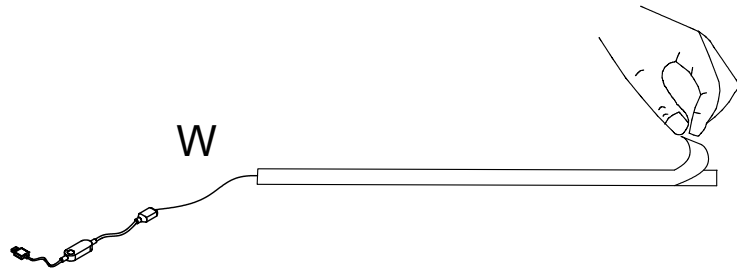
Y



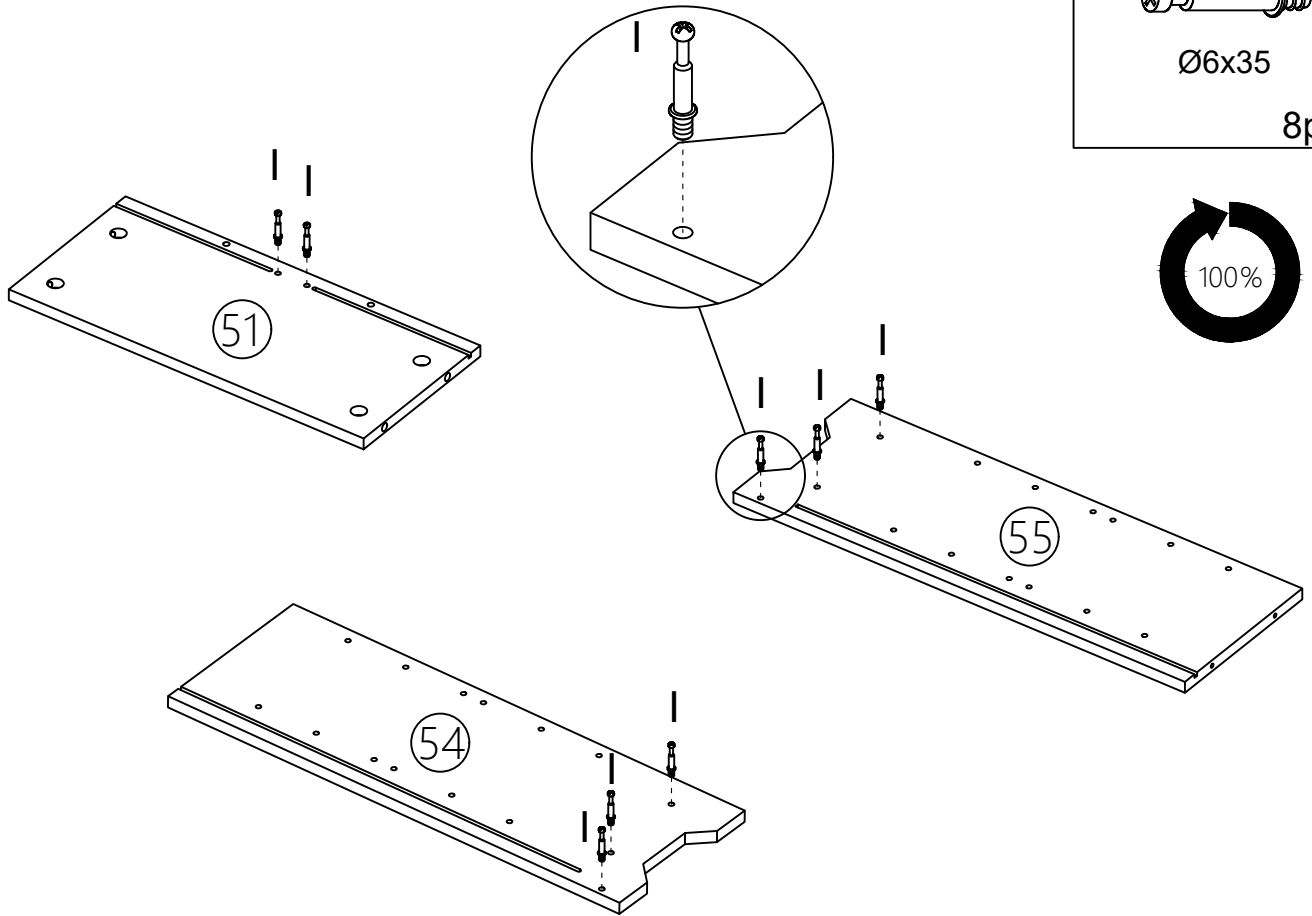
4pcs



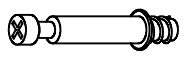
Step 48



Step 49

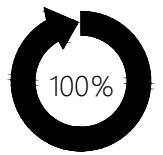


I

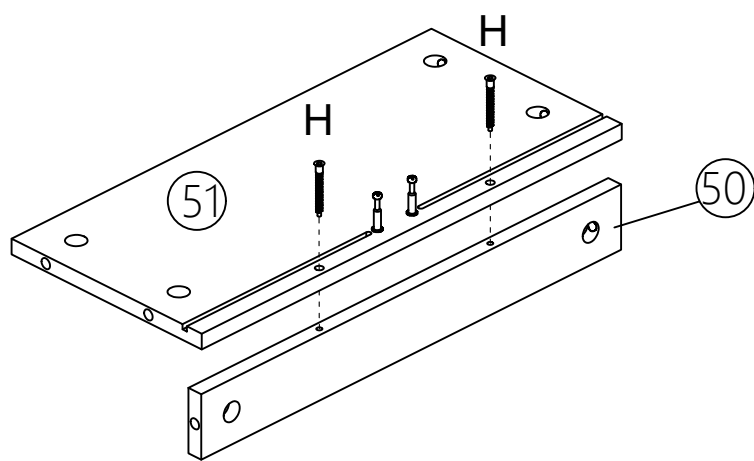


Ø6x35


8pcs



Step 50

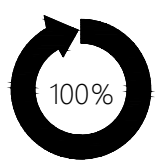


H

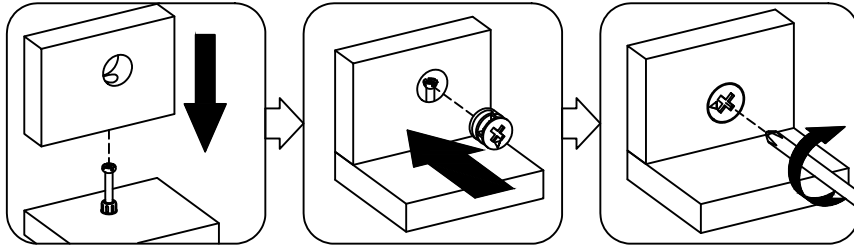


M5x38

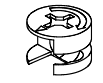
2pcs



Step 51

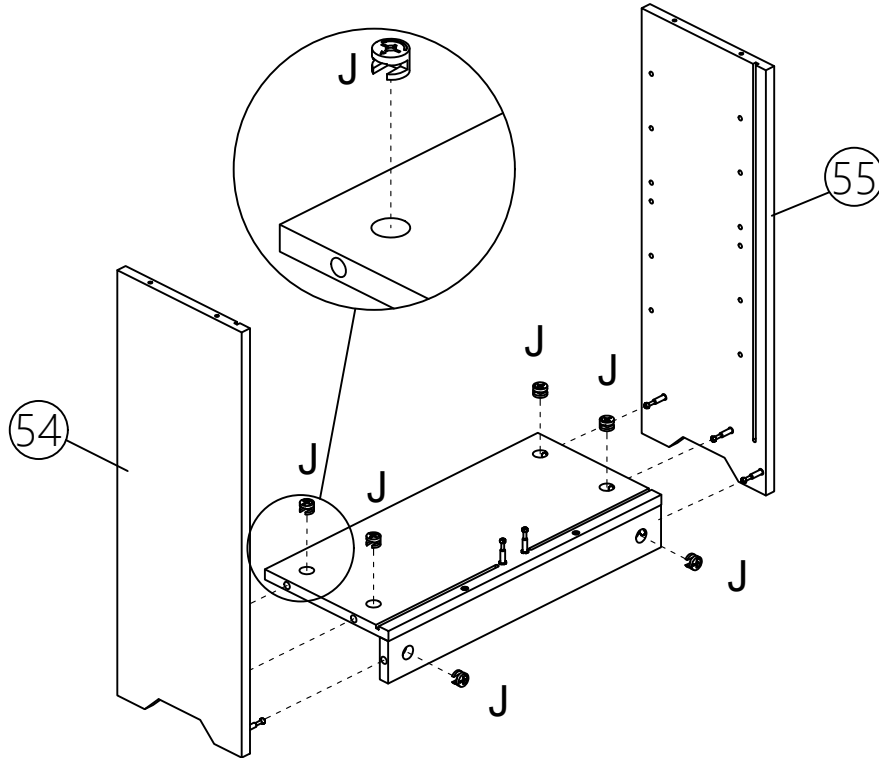


J

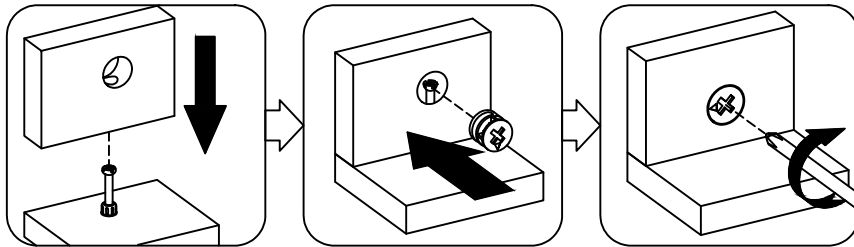


Ø15x10

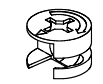
6pcs



Step 52

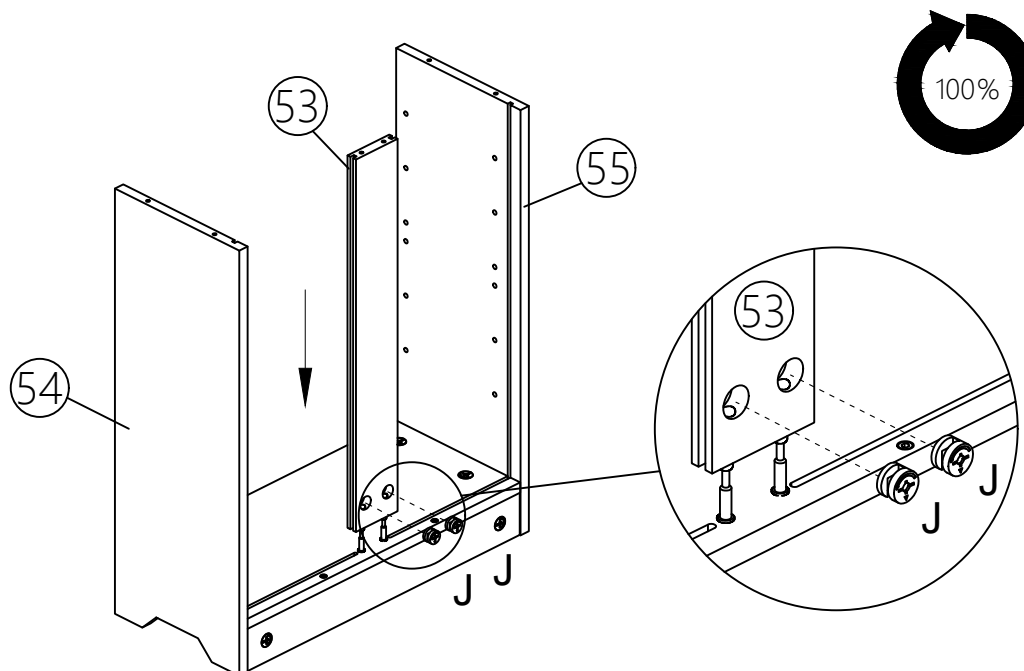


J

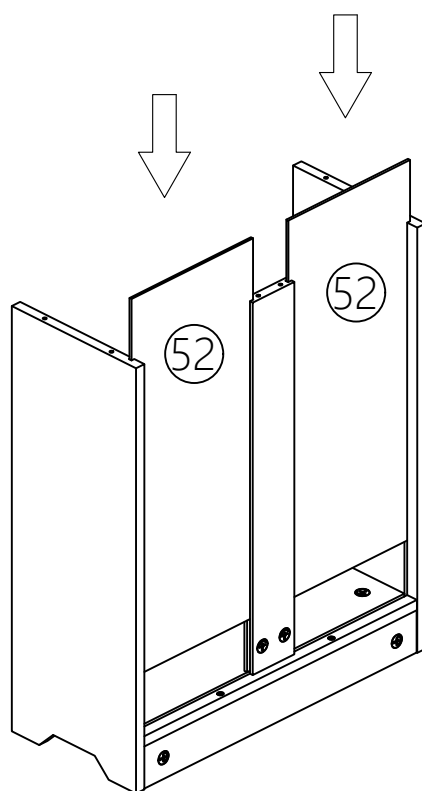


Ø15x10

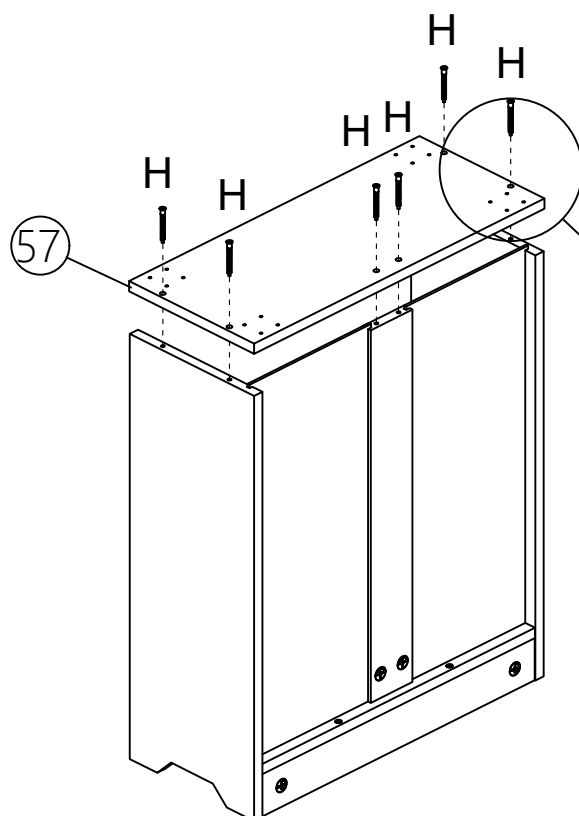
2pcs




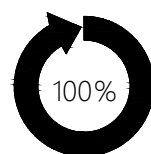
Step 53



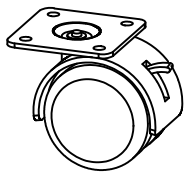
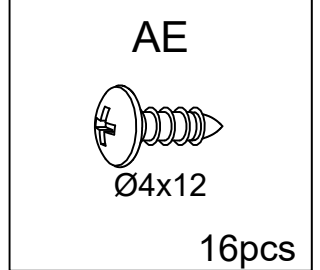
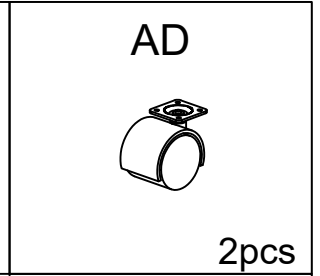
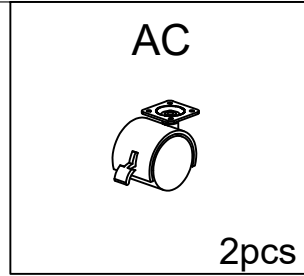
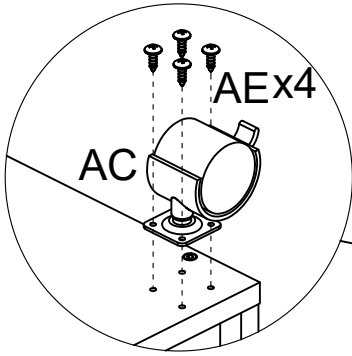
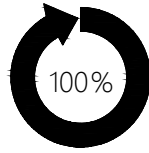
Step 54



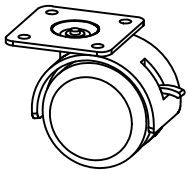
H

M5x38
6pcs



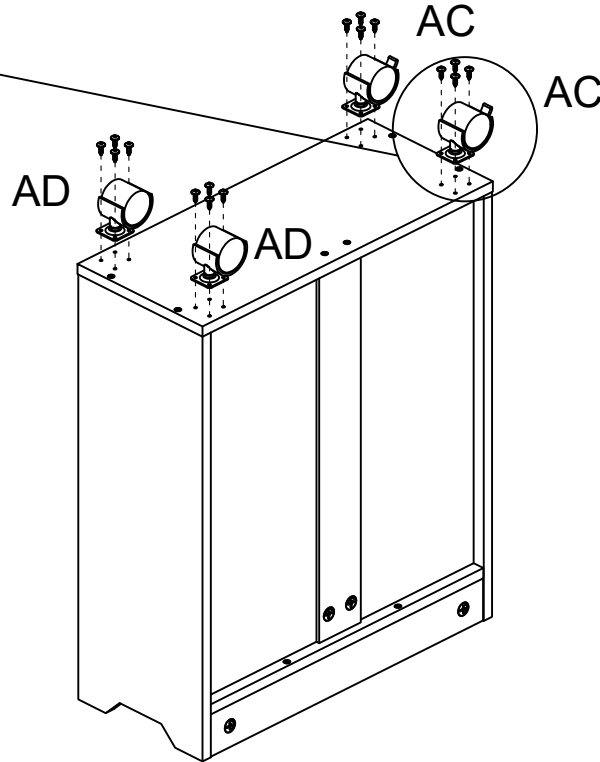
Step 55



Loosen

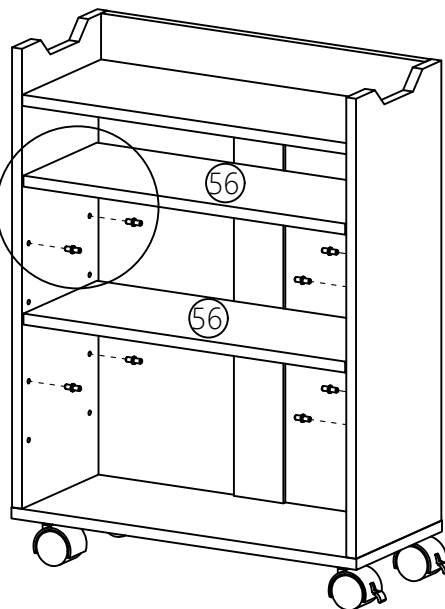
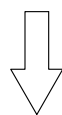
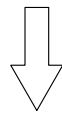
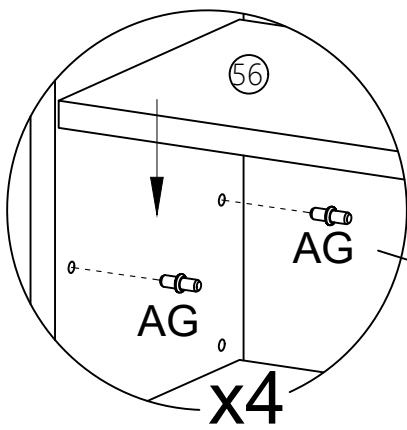
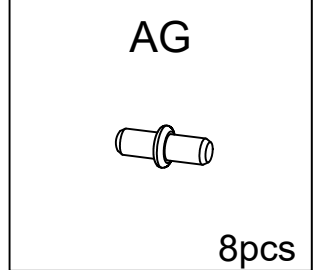


Locked



Step 56

By installing (AG) in different holes, you can flexibly adjust the required height.

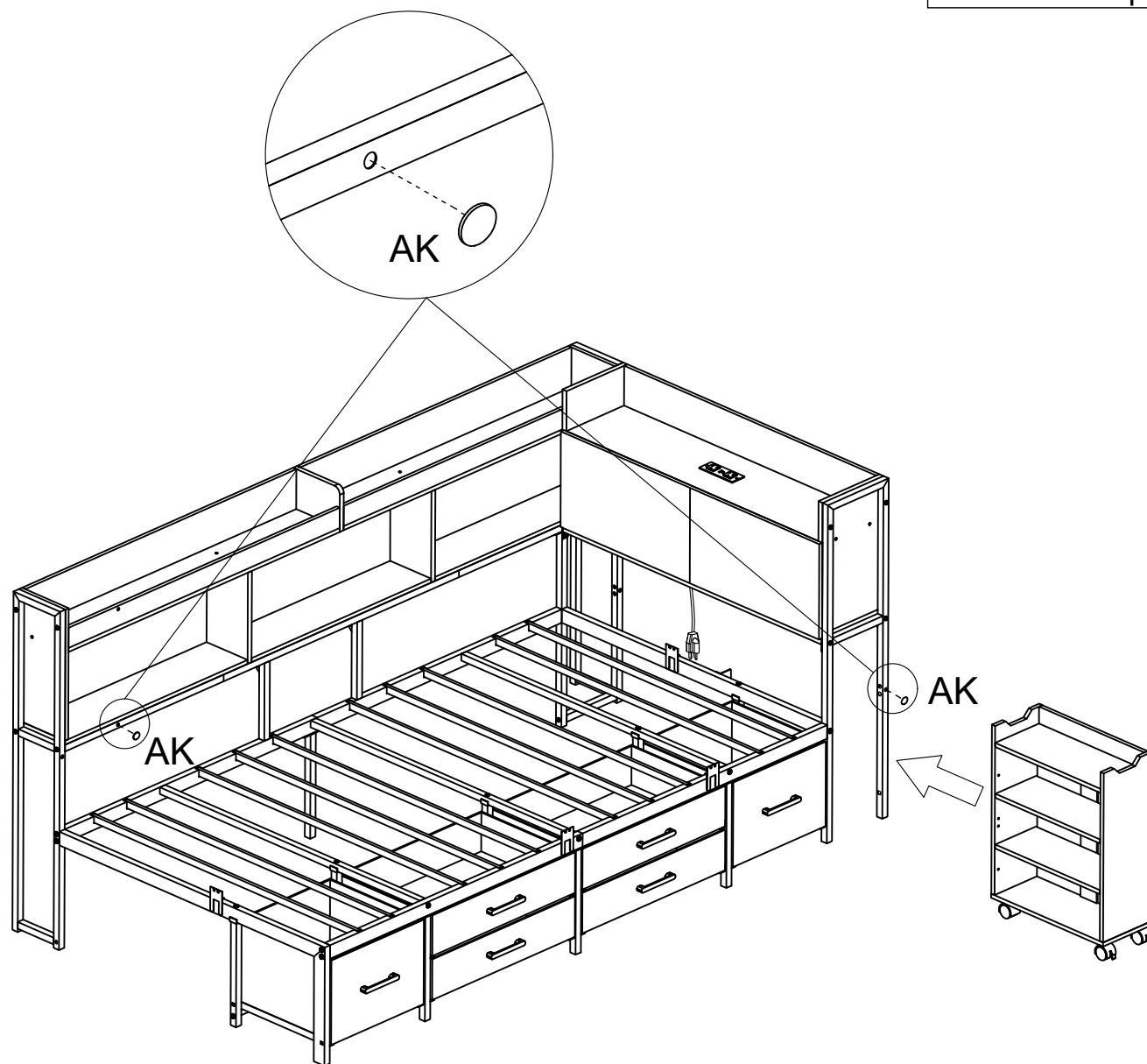


Step 57

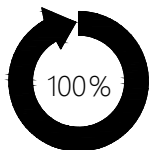
AK



2pcs



Step 58



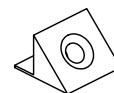
AB



Ø3.5x16

16pcs

AA



16pcs

