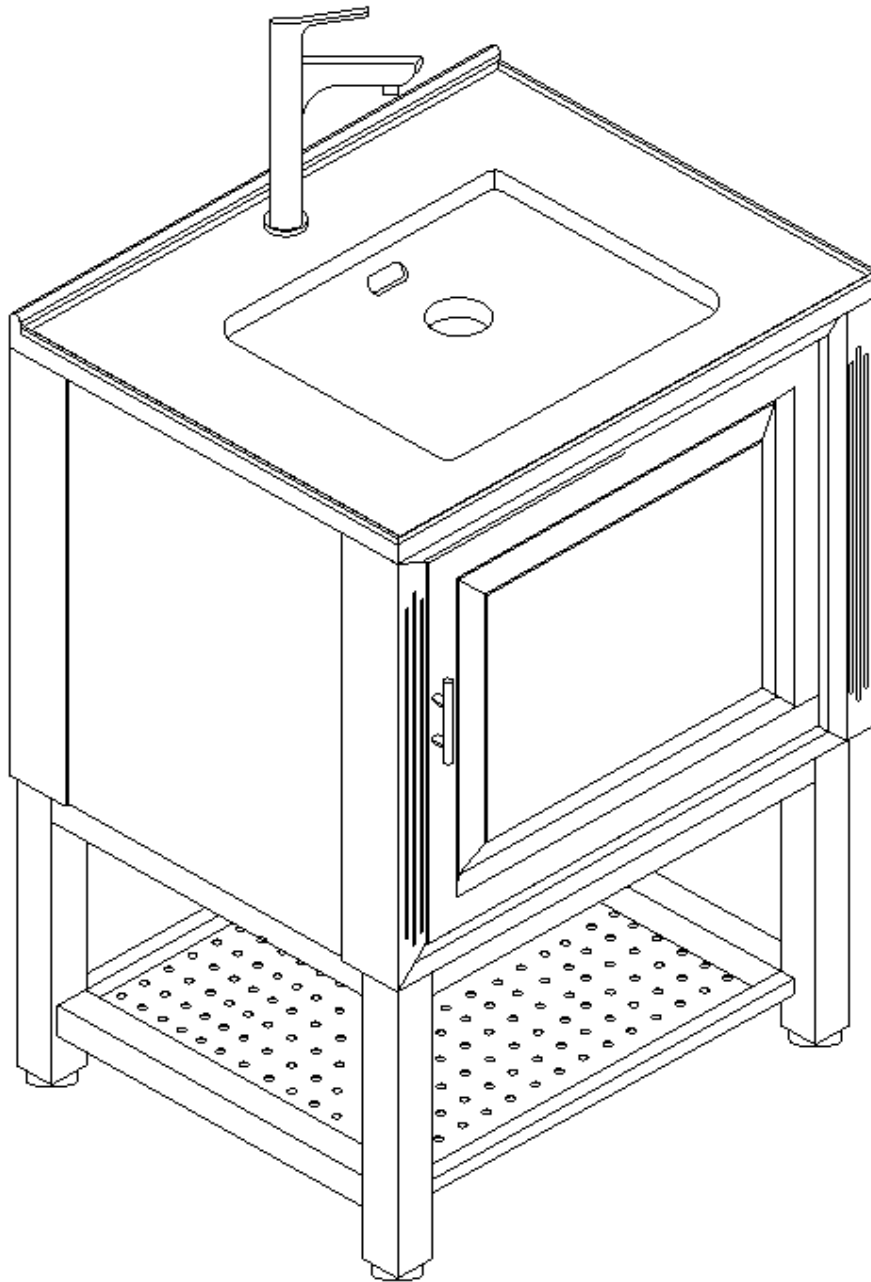


Installation Instruction



service@velayhome.com
Tel: 1-302-281-1886

Product name

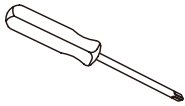
Cabinet

Ver.1.0 20250527

Assembling

What you need

- Use the packaging carton as a working surface to prevent product damage during assembly
- Phillips head screwdriver



Weight Limitation



50

lbs table top

100

lbs per shelf



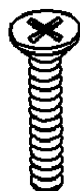
2 PERSONS

What 's included

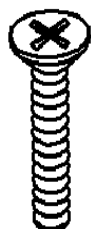
Code	Description	Qty
A	Shorter Screw M6 X10MM	34
B	Longer Screw M6 X15MM	12
C	Metal Washer	18
D	L Bracket	6
E	Right Corner Bracket	1
F	Left Corner Bracket	1
G	Glue	1
H	Handle Screw M4*25MM	2
I	Handle	1
J	Faucet	1

The hardware

(A)



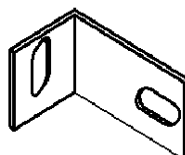
(B)



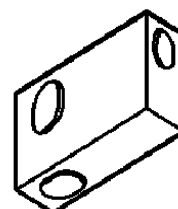
(C)



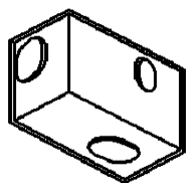
(D)



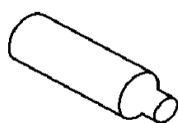
(E)



(F)



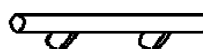
(G)



(H)



(I)



(J)



IMPORTANT :

1. Do not tighten bolts / screws completely until all bolts / screws are lined up and inserted into holes.
2. Do not over tighten screws and bolts to avoid stripping.
3. Please use hand tools to assemble this product. Do not use power tools.
4. Must need 2 people to assemble this product.

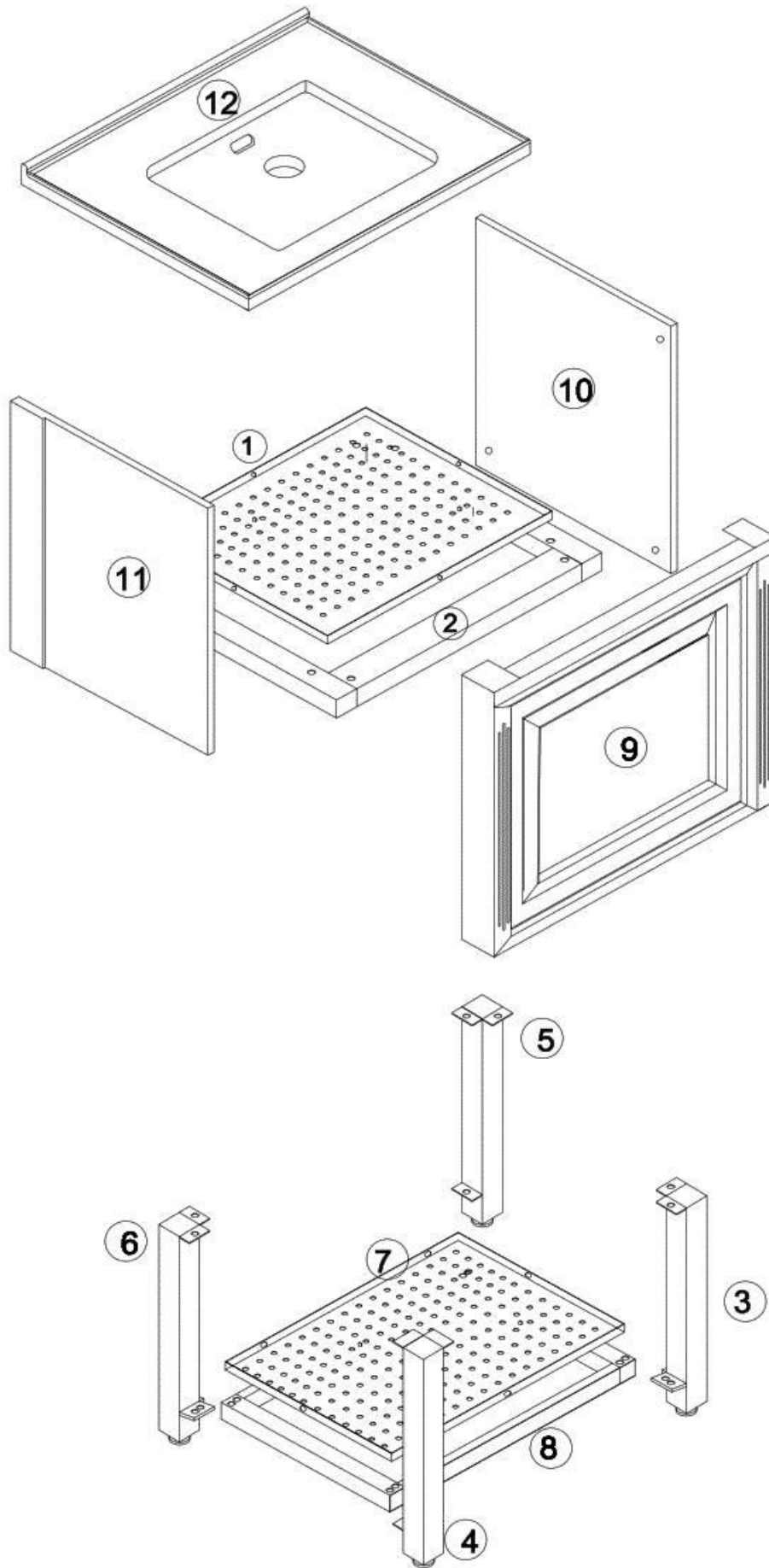


2 PERSONS

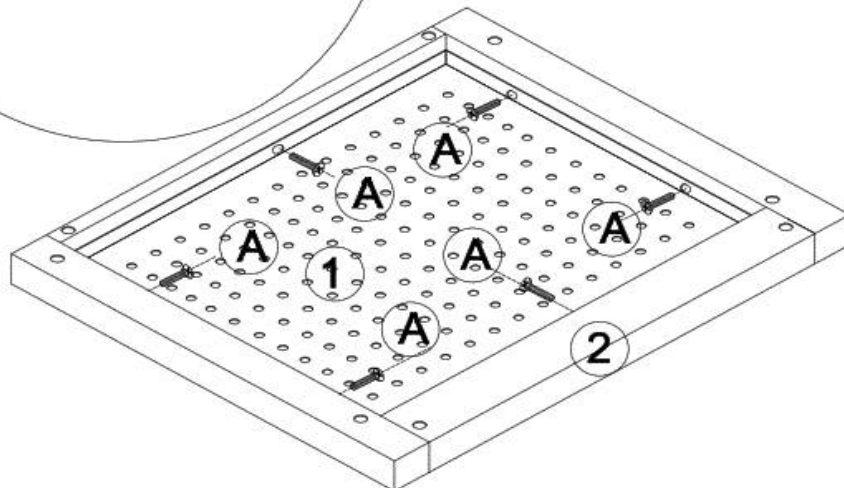
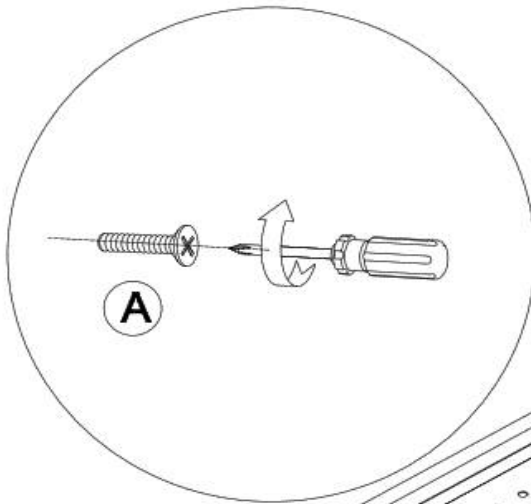
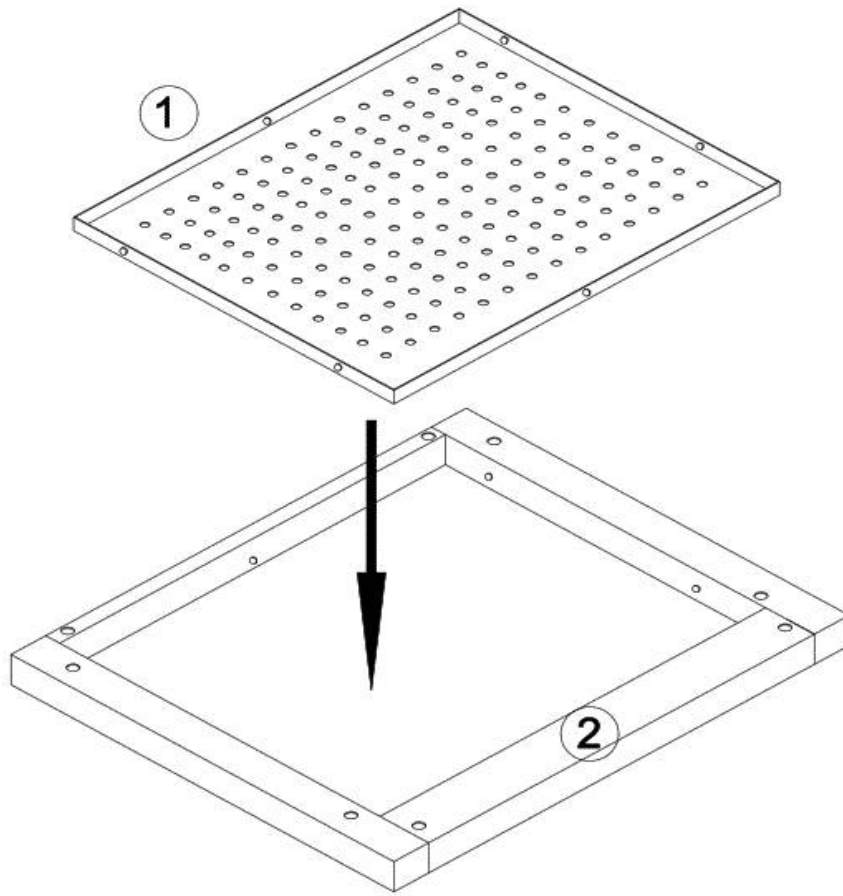
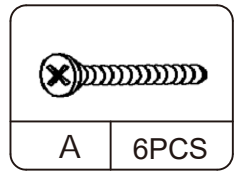
Included Accessories

Code	Description	Qty
1	Upper Shelf	1
2	Upper Shelf Frame	1
3	Right Front Leg	1
4	Left Front Leg	1
5	Right Back Leg	1
6	Left Back Leg	1
7	Lower Shelf	1
8	Lower Shelf Frame	1
9	Front Door	1
10	Right Side Panel	1
11	Left Side Panel	1
12	Top Basin	1

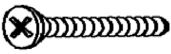
The Accessories

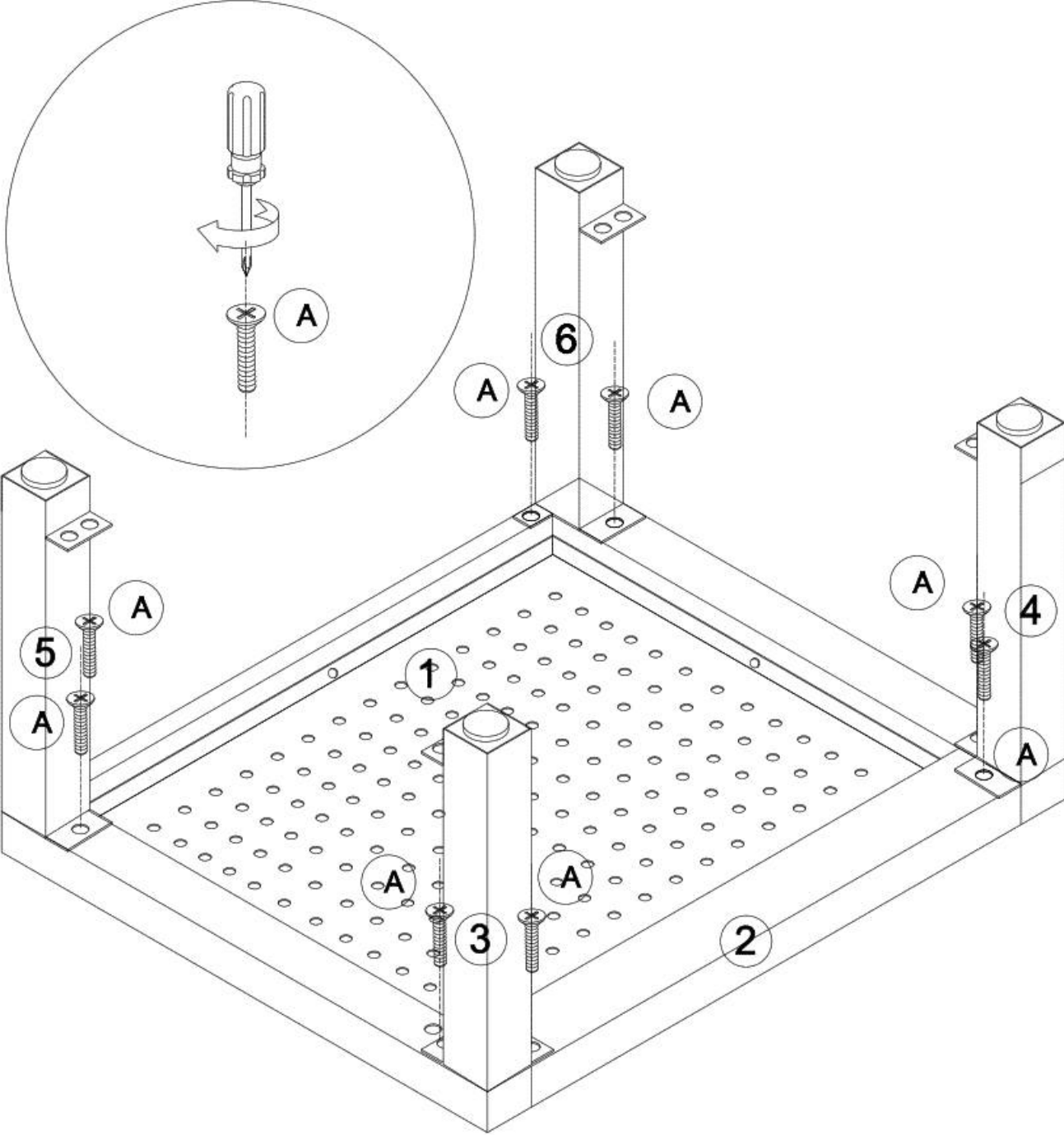


Step 1

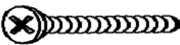


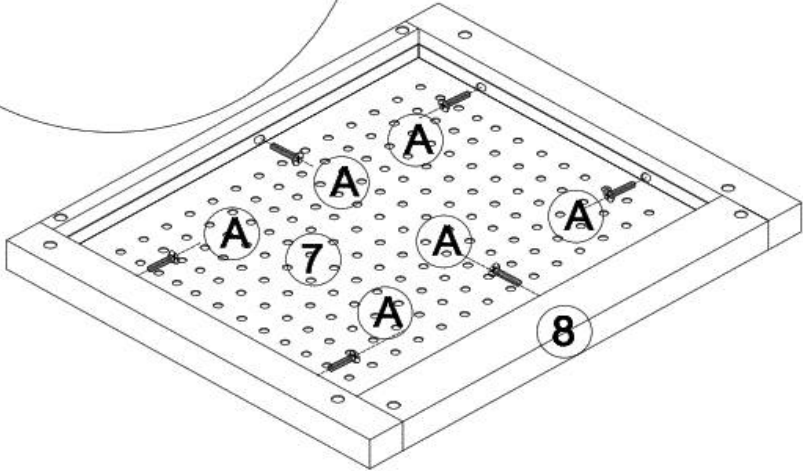
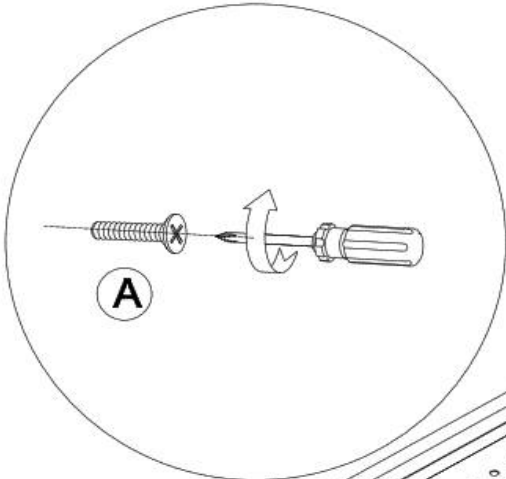
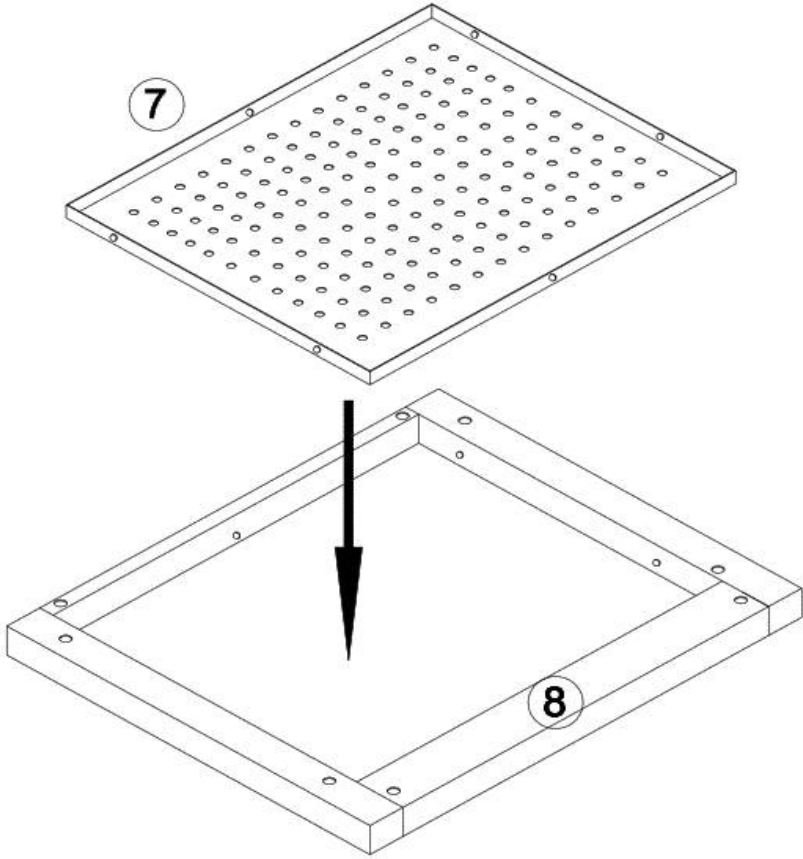
Step 2

	
A	8PCS

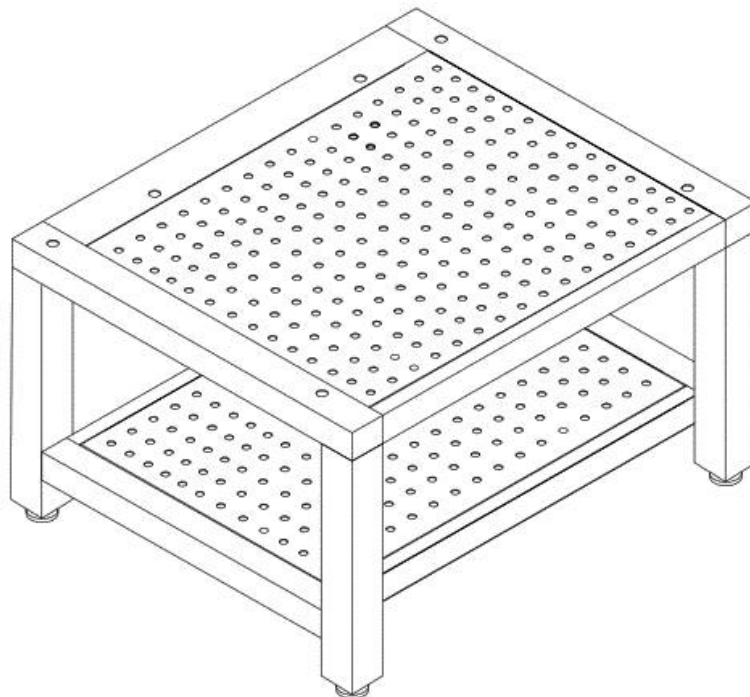
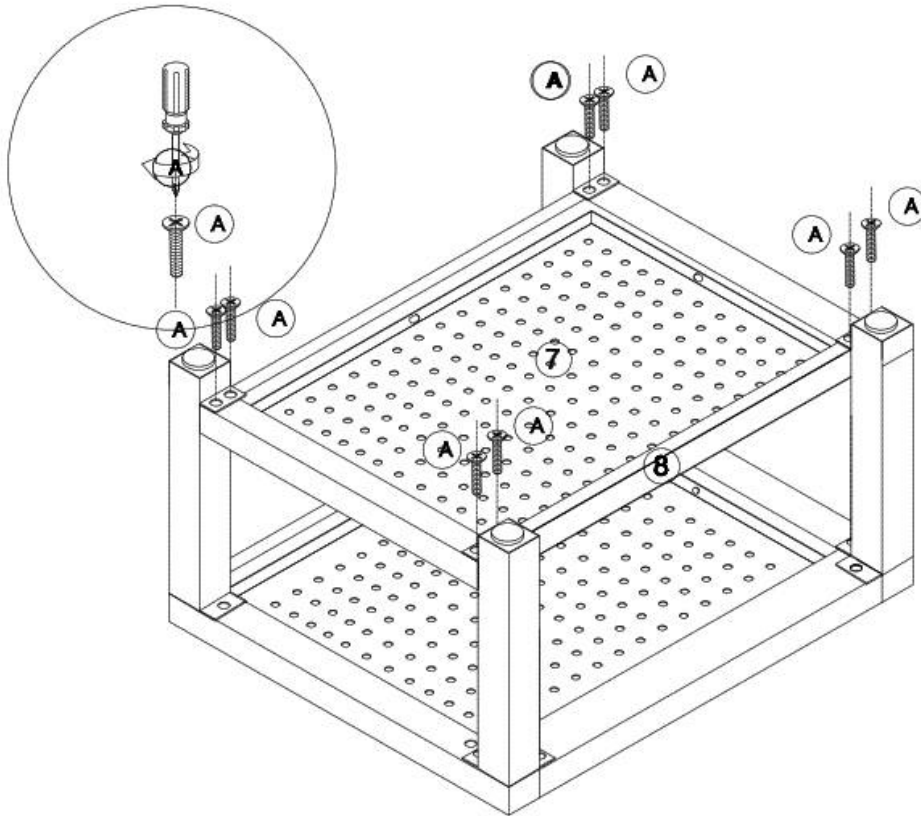
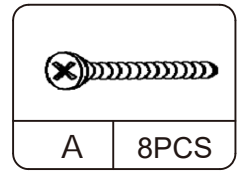


Step 3

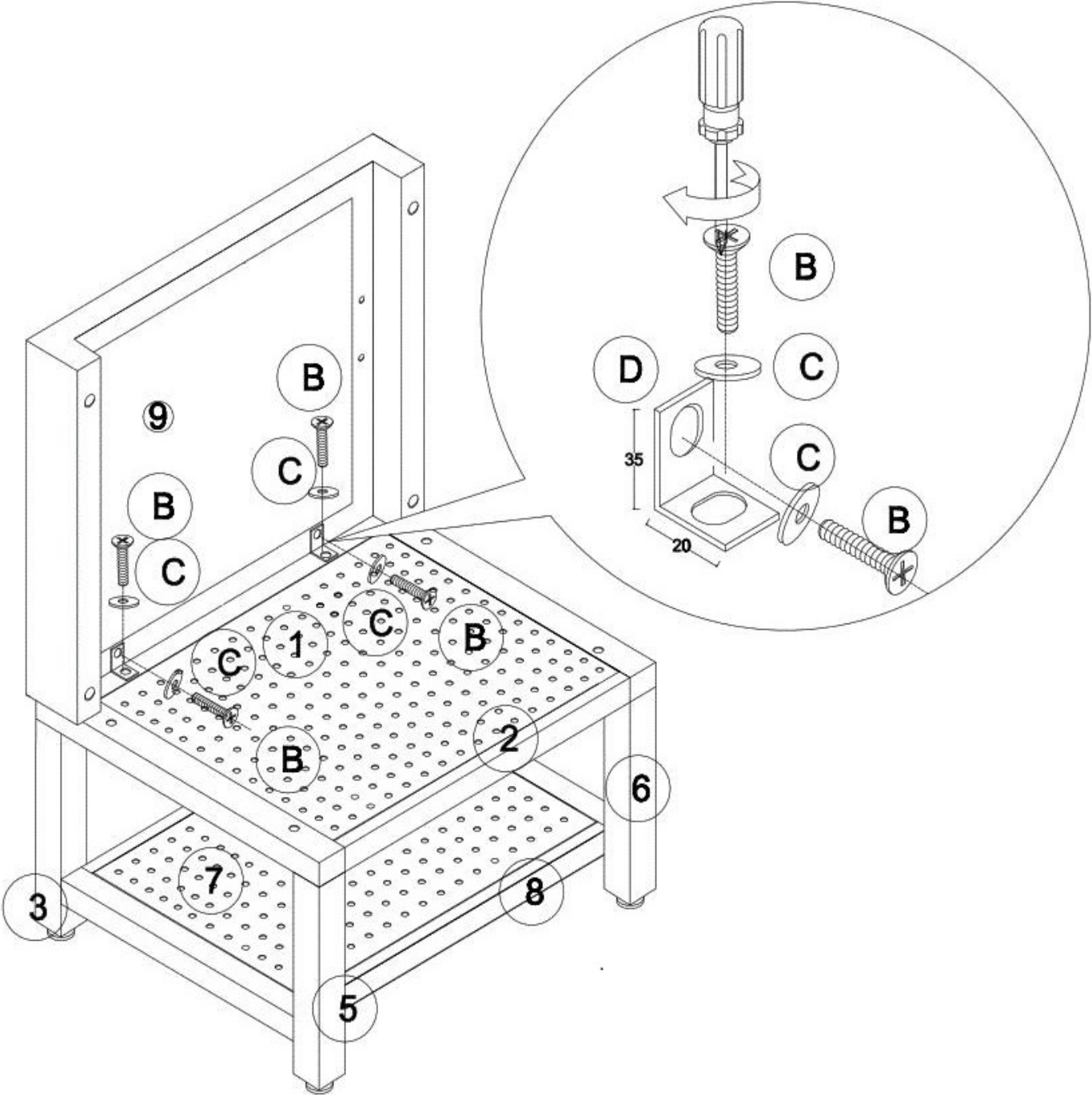
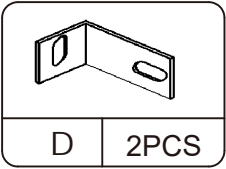
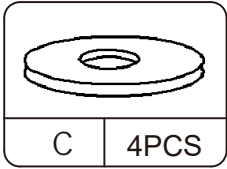
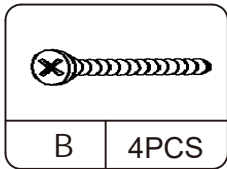
	
A	6PCS



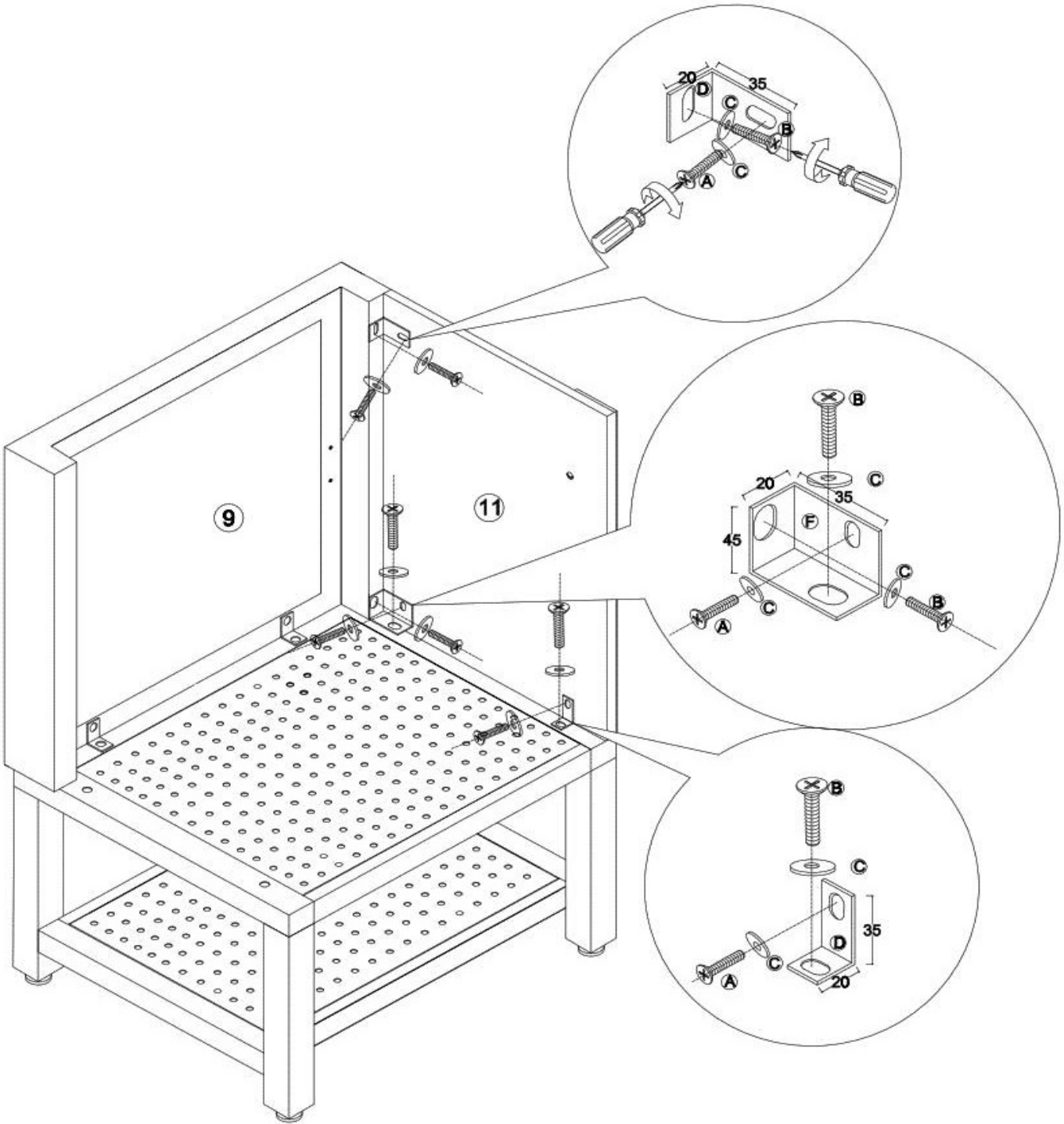
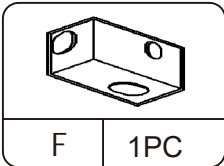
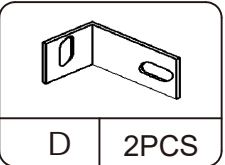
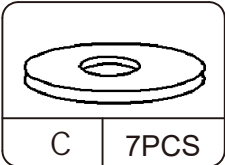
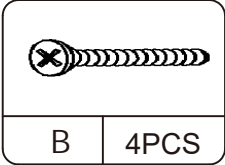
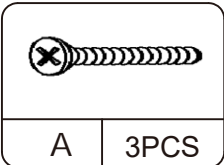
Step 4



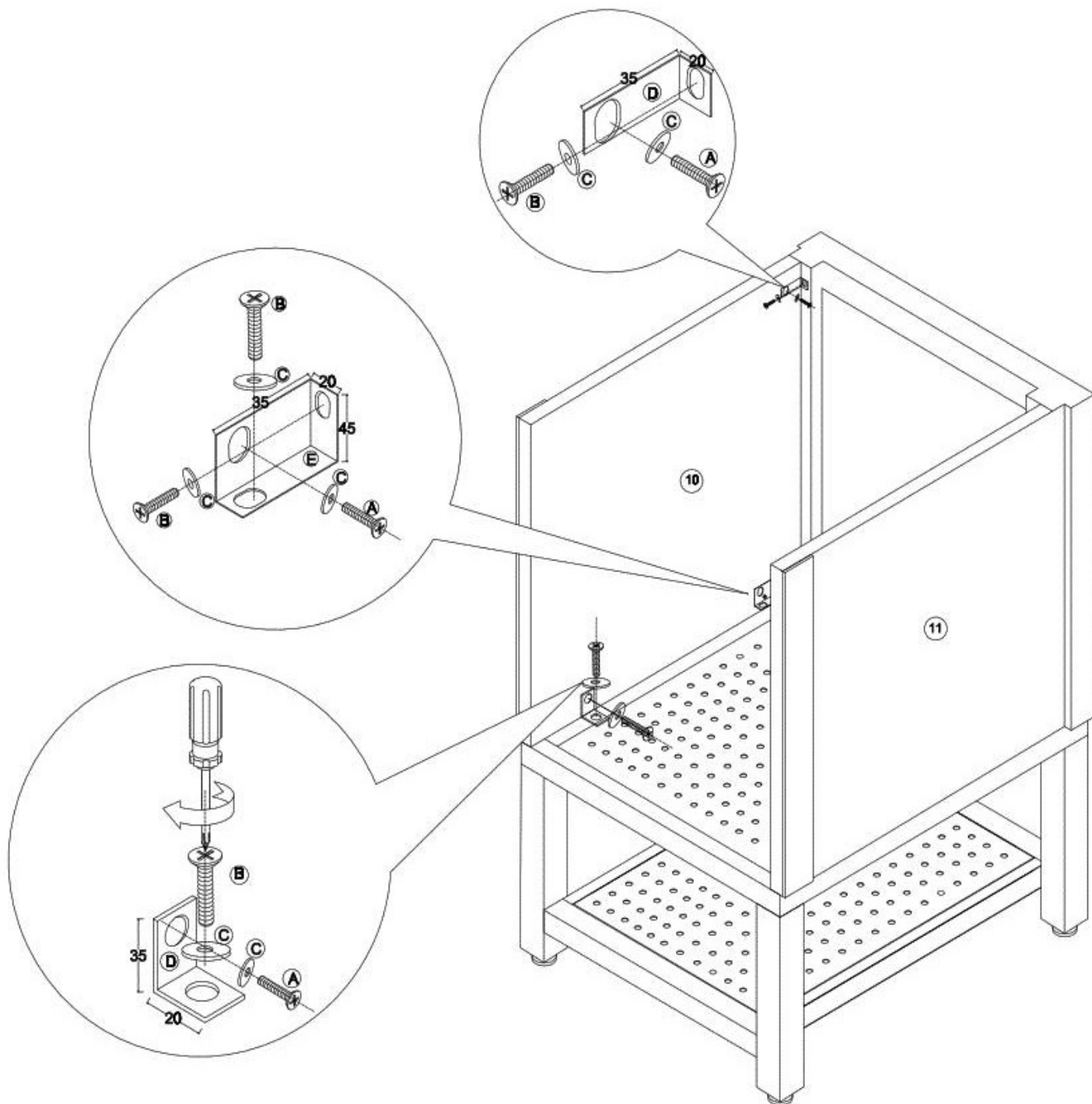
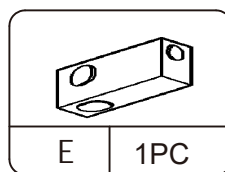
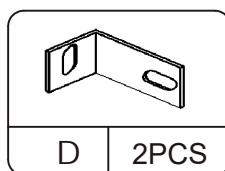
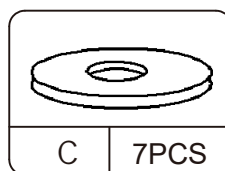
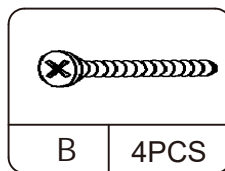
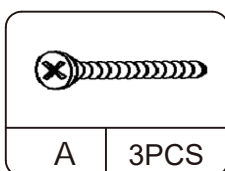
Step 5



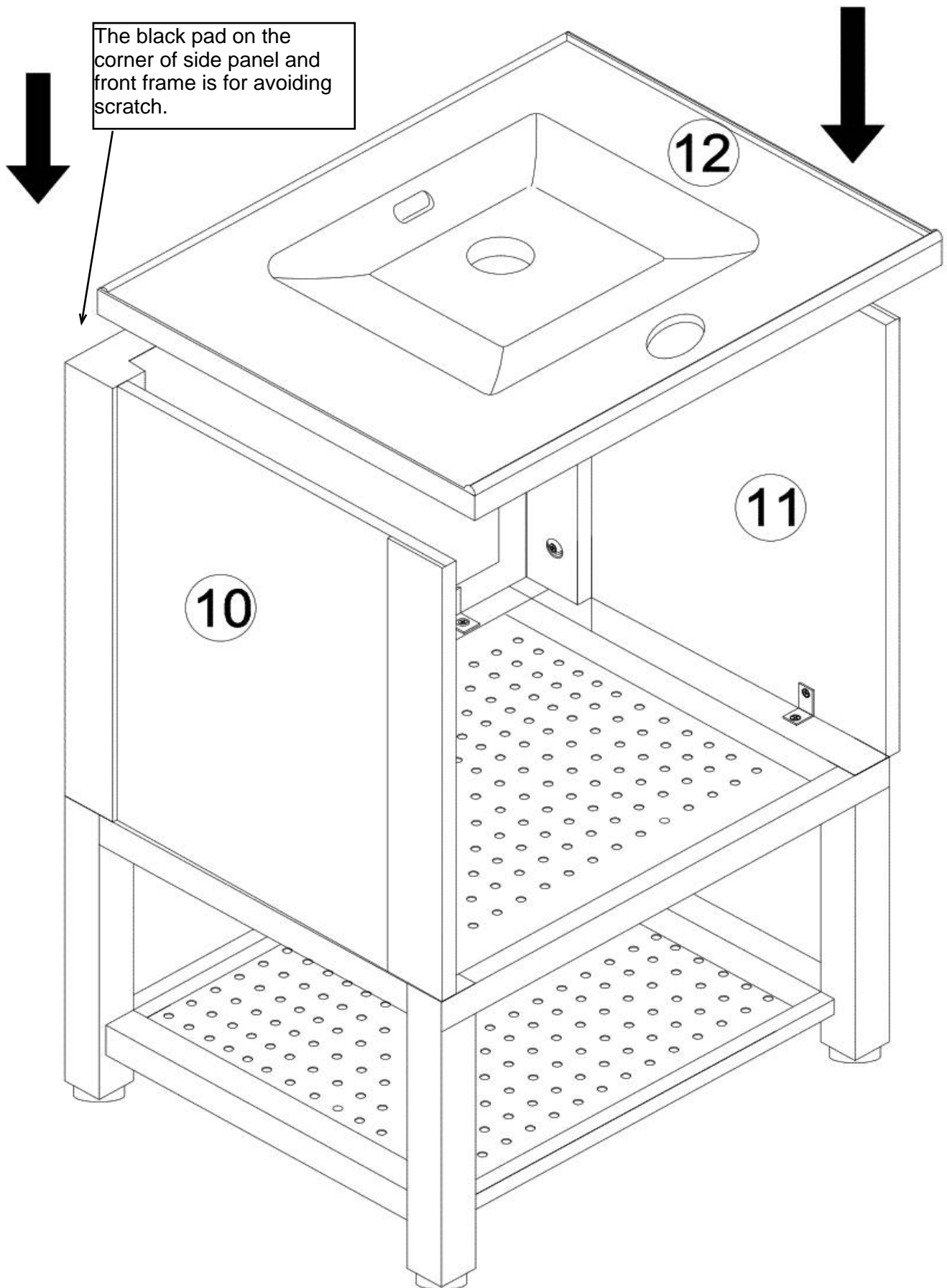
Step 6



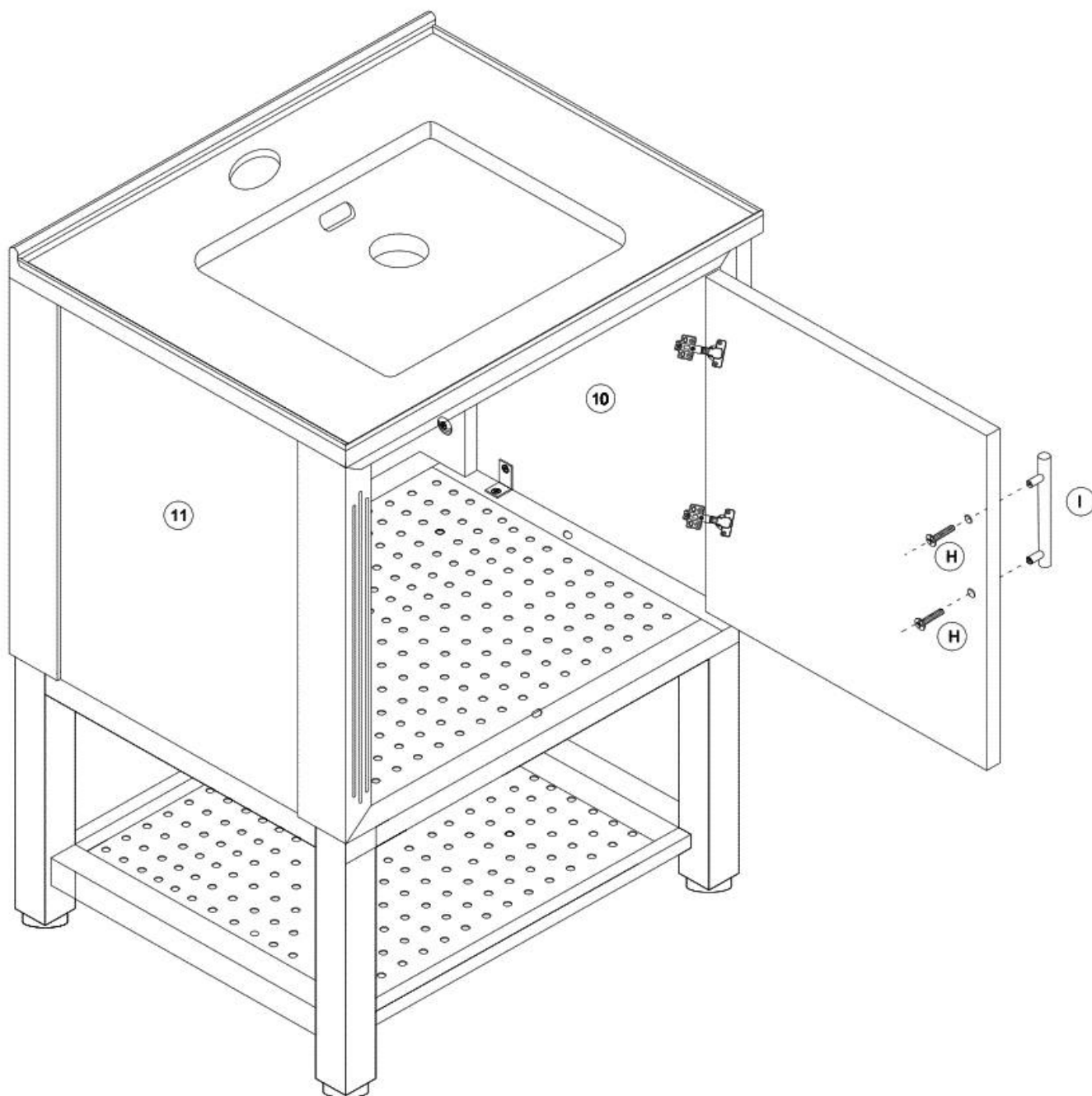
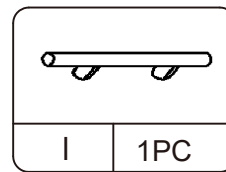
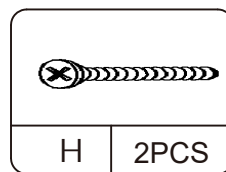
Step 7



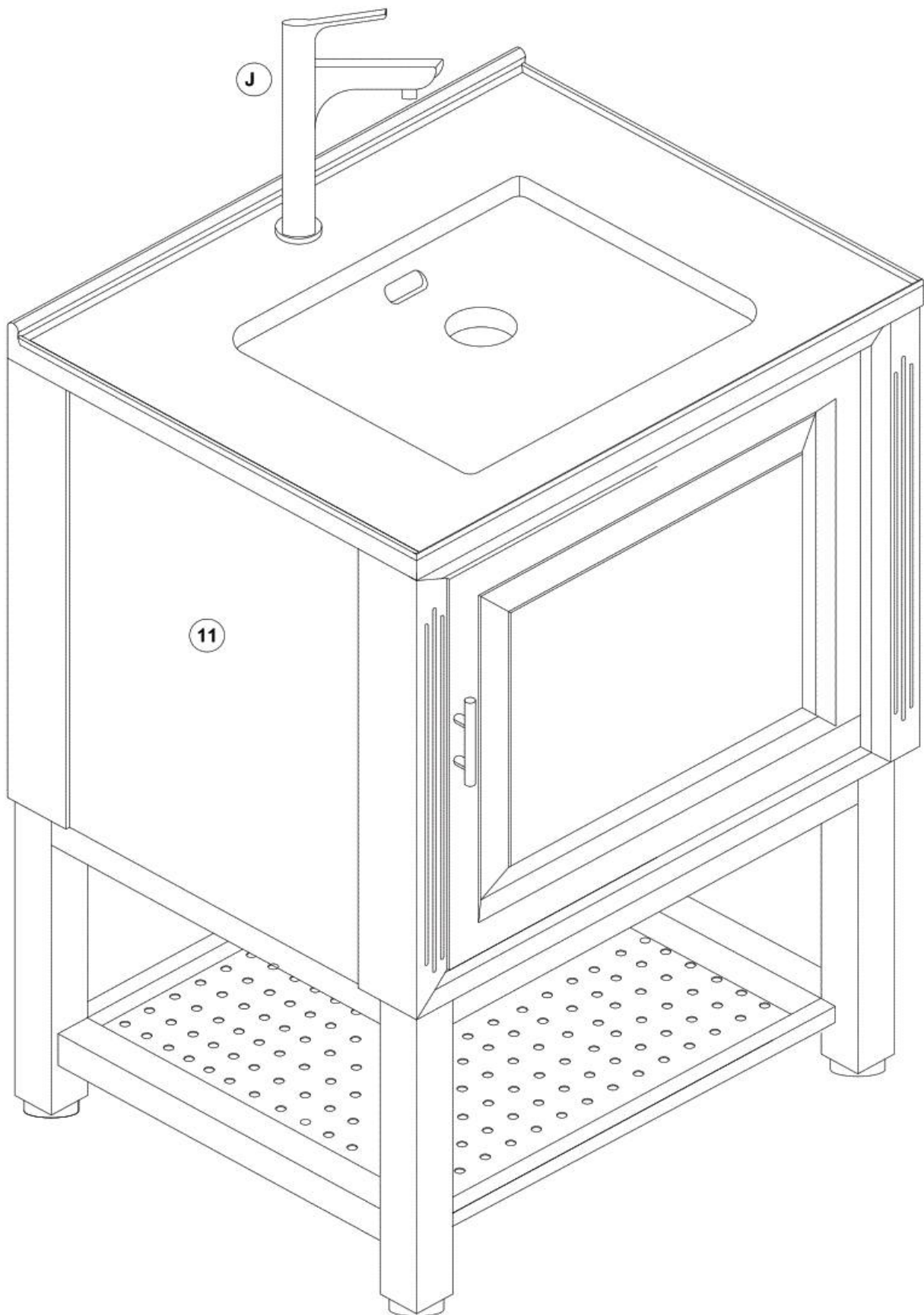
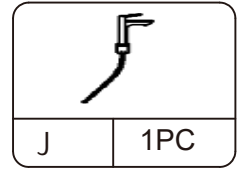
Step 8



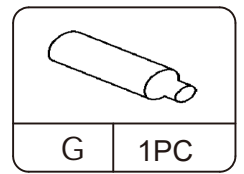
Step 9



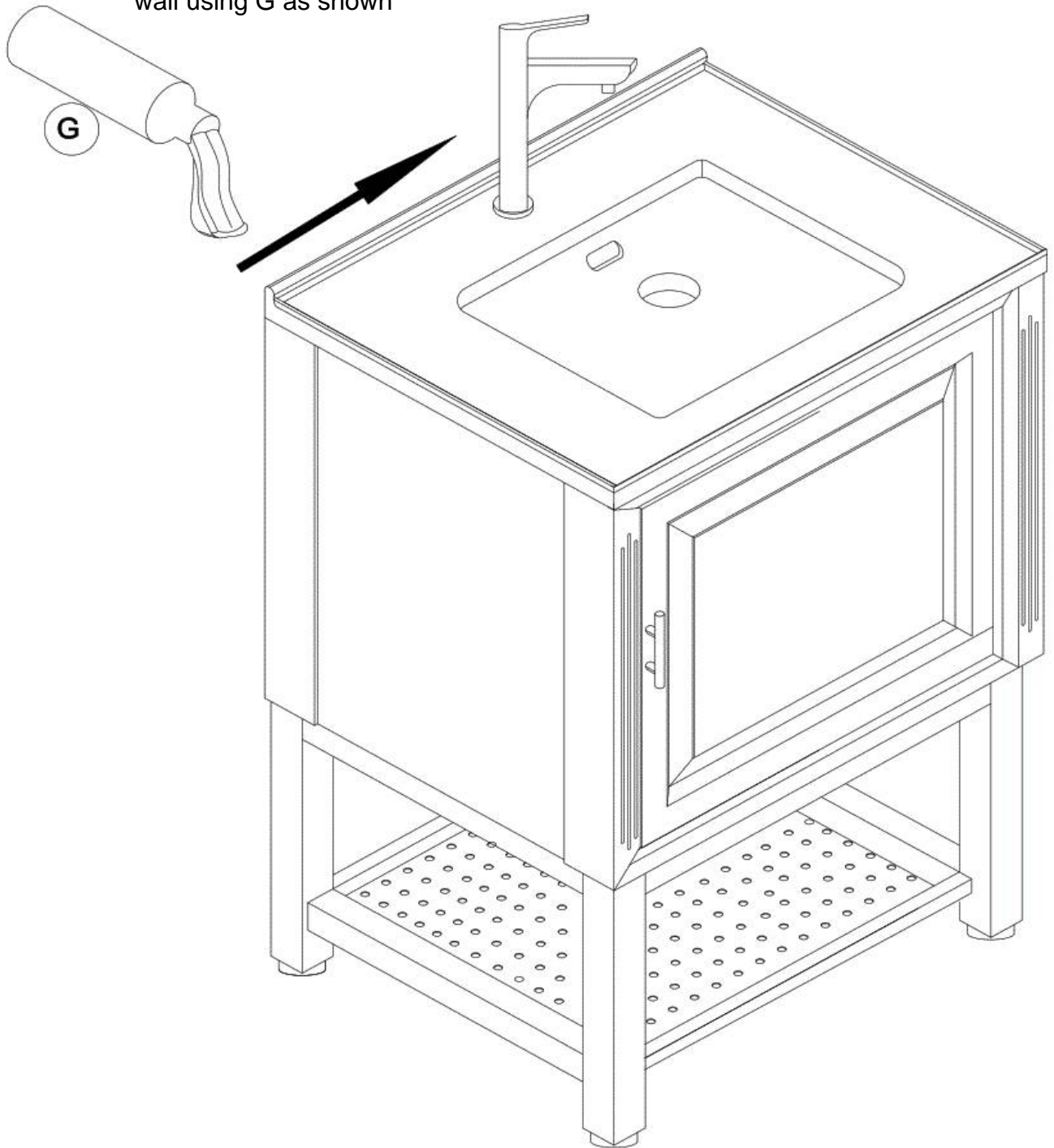
Step 10



Step 11



After assembly, put the product to the desired place and glue to the wall using G as shown



Proper Use

- DO NOT** use for commercial purposes
- DO NOT** use as a step stool or stand on table
- DO NOT** put hot serving liquid directly on the table top
- DO NOT** leave spilled liquid on the table top
- DO NOT** use table if damaged
- DO NOT** exceed weight limit
- DO NOT** make temporary repairs
- DO NOT** use outdoor

Dear Customer:

Thank you for purchasing our product,we wish you satisfy our service,if you have any further questions or any quality issues,please show the belows number and don't hesitate to contact our Customer Service People:

service@velayhome.com
Tel: 1-302-281-1886