

Features

- Frameless, 1/4-inch-thick (6mm) Clear tempered glass.
- Knob handle keeps the design line simple and unobstructed.
- Door swings outward and can be installed to open right or left, depending on your preference.
- Low threshold (1-3/4-inch) for easy entry and exit.
- CleanCoat® glass treatment repels water for improved ease of cleaning
- Magnetic seal keeps door firmly closed, providing excellent water containment.
- Out-of-Plumb adjustability for simple installation.

Material

- Anodized aluminum hardware prevents rusting or corrosion.

Installation

- Pivot shower door.
- Pre-assembled frame requires no cutting during installation.
- 1-inch width adjustability on each wall jamb (offering 2-inch total adjustability).
- Filler sections (K-1296811) can be used to extend the width of an enclosure door by 5/8 inch.

Recommended Accessories

1296811 Whiston™ Door Filler Jamb

Components

Additional included component/s: Hardware Kit.



Codes/Standards

ANSI Z97.1
CPSC 16CFR 1201


STERLING® Warranty - Bath and Shower Doors

See website for detailed warranty information.

Available Color/Finishes

Color tiles intended for reference only.

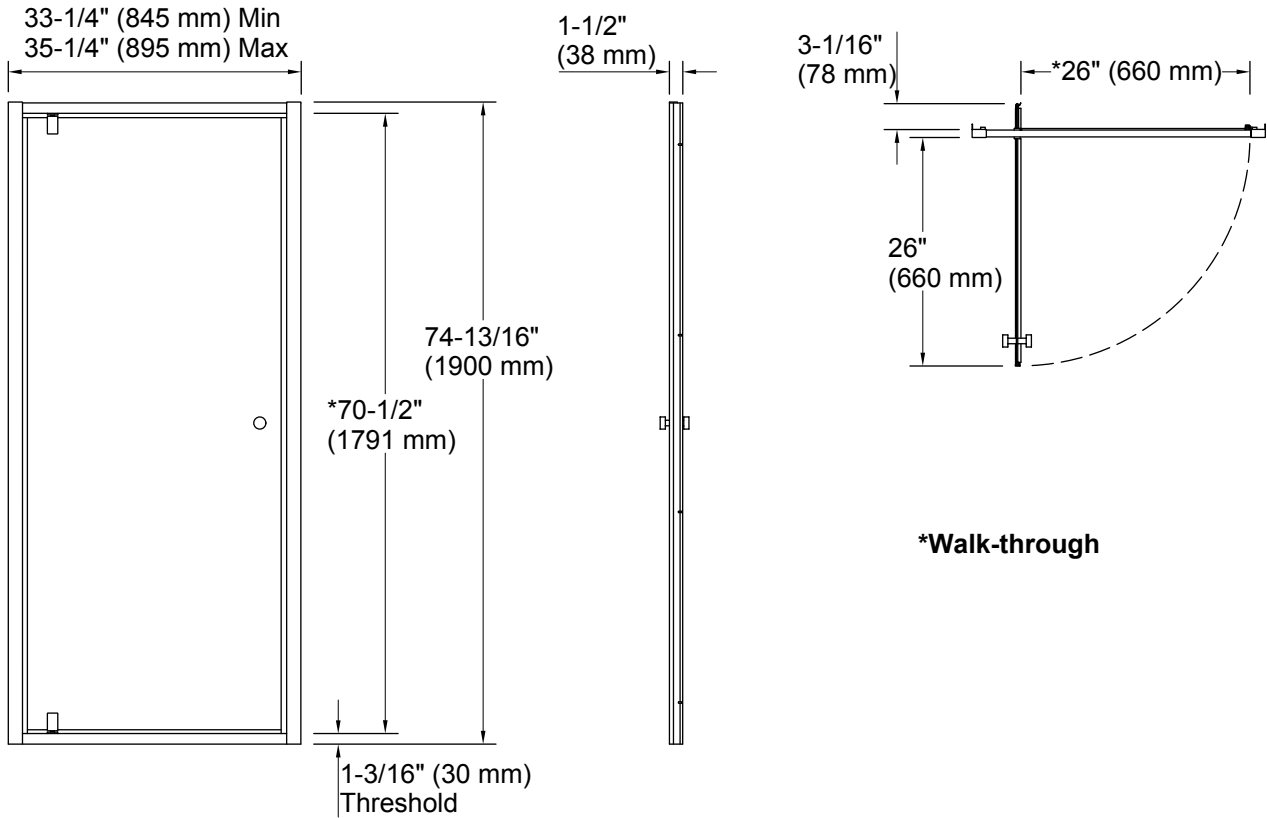
Color	Code	Description
-------	------	-------------

	S	Silver
--	---	--------

Available Glass Options

Code	Description
------	-------------

G05	Clear
-----	-------



***Walk-through**

Technical Information

All product dimensions are nominal.

Installation type: For shower base installation

Opening Width - Min: 33-1/4" (845 mm)

Opening Width - Max: 35-1/4" (895 mm)

Walk-through - Min: 26" (660 mm)

Walk-through - Max: 26" (660 mm)

Glass thickness: 1/4" (6 mm)

Glass coating: CleanCoat®

Notes

Install this product according to the installation instructions.

The vertical opening should be a minimum of 75" (1905 mm) to allow for installation clearance.