



OWNER'S MANUAL



**TRINITY WOOD KITCHEN CART
w/DRAWERS AND TRAY - WHITE
Model # TBFLWH-1404**



Important / Important / Importante

FOR QUICK & EASY 3D ASSEMBLY INSTRUCTIONS

POUR DES DIRECTIVES D'ASSEMBLAGE 3D RAPIDES ET FACILES

PARA INSTRUCCIONES DE ENSAMBLAJE RÁPIDAS Y SENCILLAS EN 3D

BILT.[®]

Intelligent Instructions
Directives intelligentes
Instrucciones Inteligentes



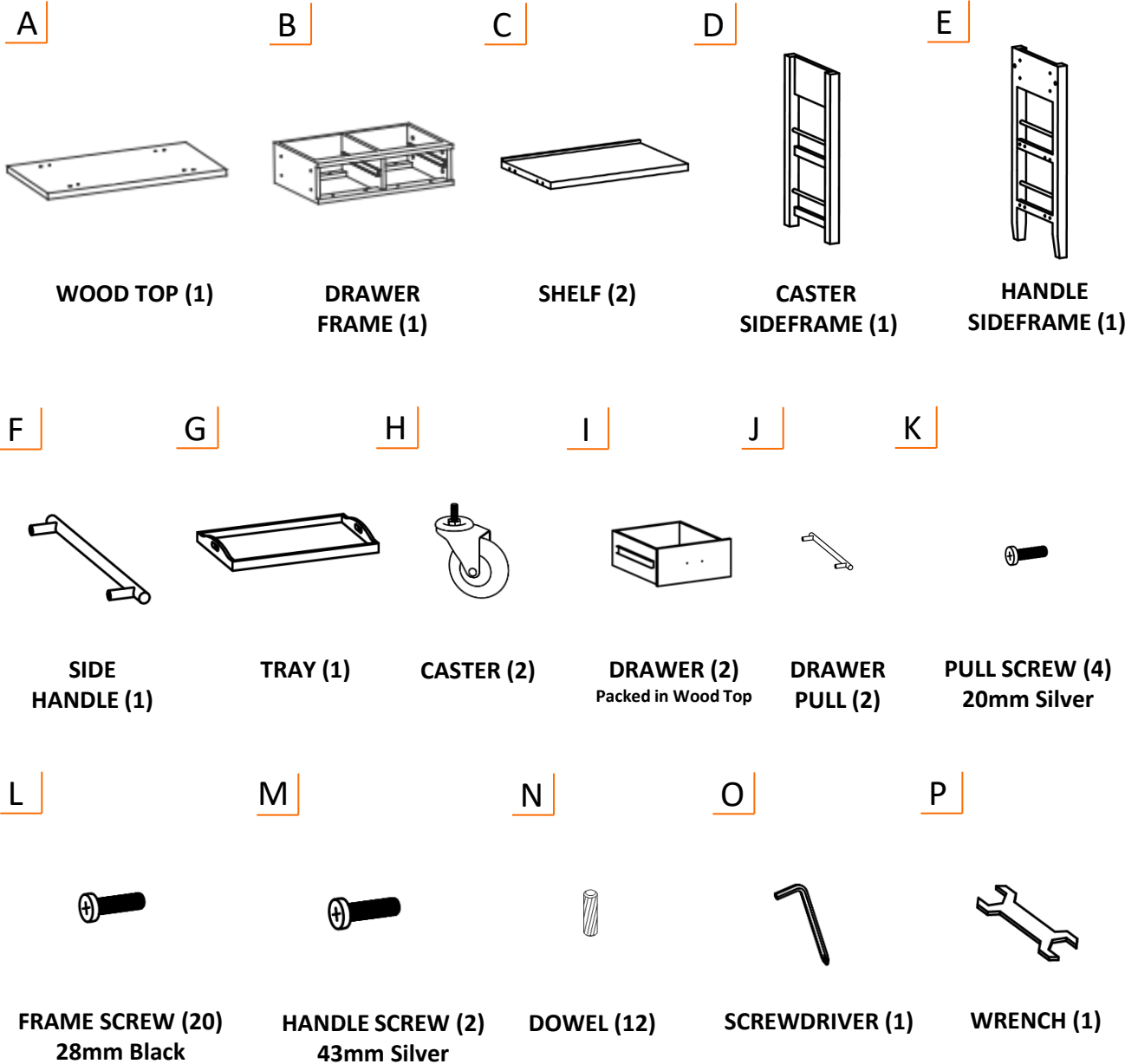
DOWNLOAD THE FREE APP | TÉLÉCHARGER L'APPLICATION GRATUITE | DESCARGUE LA APLICACIÓN GRATUITA

PARTS LIST

Your TRINITY Wood Kitchen Cart w/Drawers and Tray should include the following parts. Please inspect box contents to ensure you have received all components.

If you are missing any parts, need assistance with assembly or have questions, please contact TRINITY Customer Service: 800.985.5506 or customerservice@trinityii.com. Parts can also be requested online via "Contact Us" section at www.trinityii.com.

You may use a power screwdriver for easier assembly.



ASSEMBLY INSTRUCTIONS

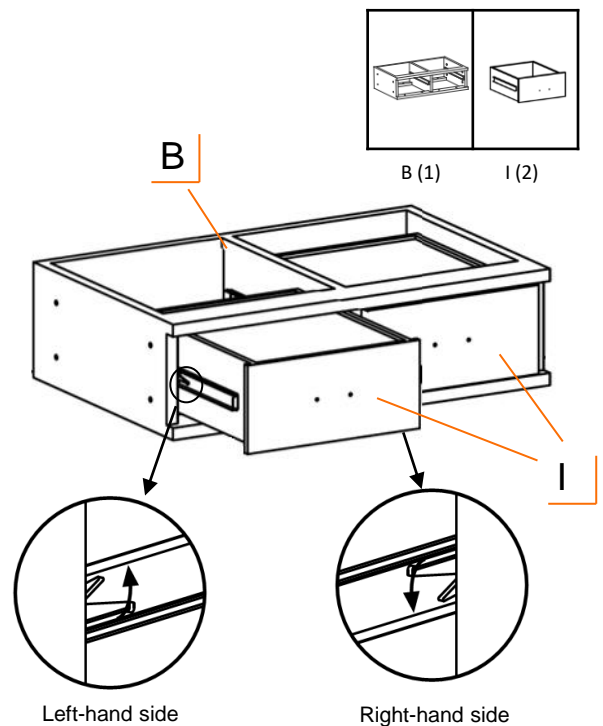
STEP 1

Locate DRAWER FRAME (B) from the box and notice that both DRAWERS (I) are preinstalled.

You will need to remove both DRAWERS (I) before starting assembly of the Kitchen Cart.

Push one DRAWER (I) out from inside the DRAWER FRAME (B) so that it is almost fully extended. Keep the other DRAWER (I) closed so you can reach release levers on both sides. On the LEFT-hand side, pull the black release lever UP. On the RIGHT-hand side, push the black release lever DOWN. While holding the levers as instructed, pull the DRAWER (I) forward until released from the slides attached to the DRAWER FRAME (B).

Repeat for the other DRAWER (I) so that both DRAWERS (I) are removed. Set both aside.



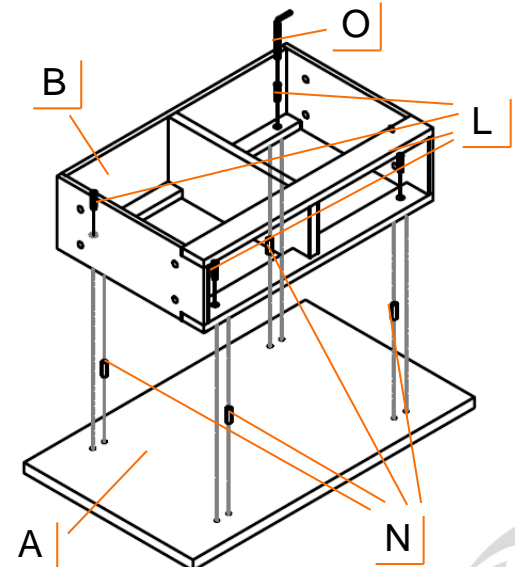
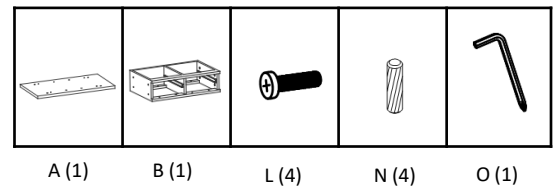
STEP 2

On a clean surface, lay the WOOD TOP (A) on its top surface, the side without the holes.

Insert (4) DOWELS (N) into the (4) inside holes of each corner of the WOOD TOP (A).

Carefully place DRAWER FRAME (B) over the DOWELS (N), aligning the (4) holes closest to each corner of the DRAWER FRAME (B) with the (4) DOWELS (N). Then push down evenly until DRAWER FRAME (B) is pressed against WOOD TOP (A).

Insert FRAME SCREW (L) through DRAWER FRAME (B) and fasten to WOOD TOP (A) using SCREWDRIVER (O). Make sure all SCREWS (L) are tightened.

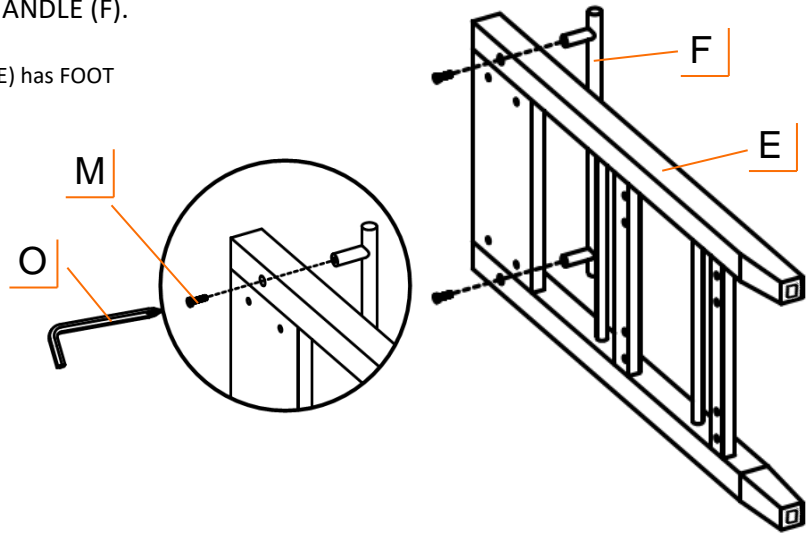
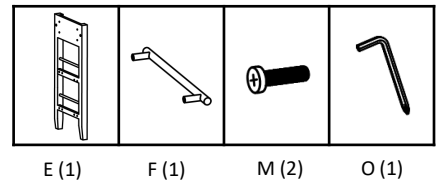


ASSEMBLY INSTRUCTIONS

STEP 3

Place HANDLE SCREWS (M) through holes in the HANDLE SIDEFRAE (E) and tighten with SCREWDRIVER (O) to nuts in SIDE HANDLE (F).

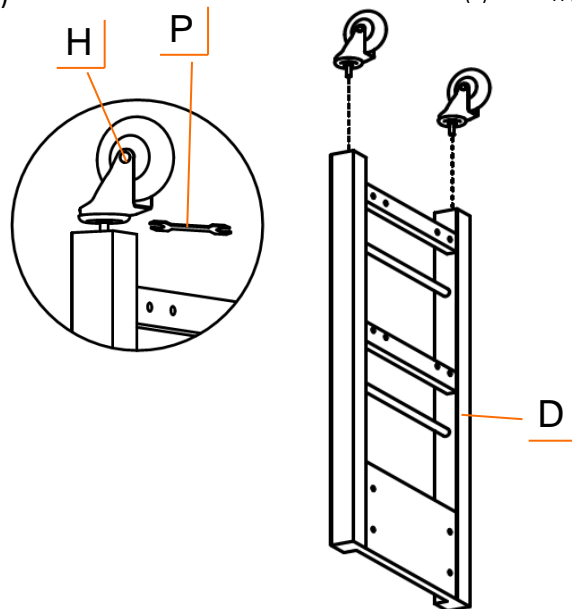
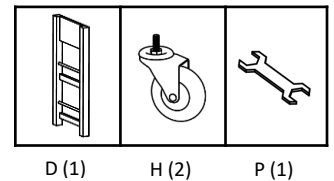
Please note that the HANDLE SIDEFRAE (E) has FOOT PADS on the bottom.



STEP 4

Screw CASTERS (H) into nuts at the bottom of CASTER SIDEFRAE (D). Tighten CASTERS (H) with WRENCH (P).

Use the provided caster wrench to tighten completely. Failure to do as instructed could result in the caster stem breaking.

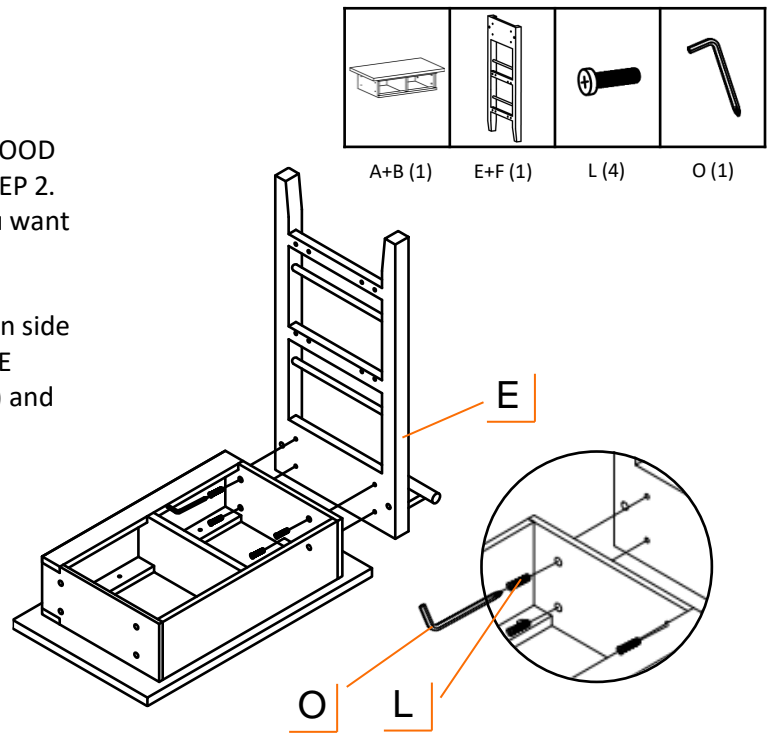


ASSEMBLY INSTRUCTIONS

STEP 5

Bring HANDLE FRAME (E) to the side of WOOD TOP (A) with DRAWER FRAME (B) from STEP 2. Choose which side of the Kitchen Cart you want the handle to be on.

Insert FRAME SCREWS (L) through holes on side of the DRAWER FRAME (B). Fasten FRAME SCREWS (L) to nuts on HANDLE FRAME (E) and tighten with SCREWDRIVER (O).

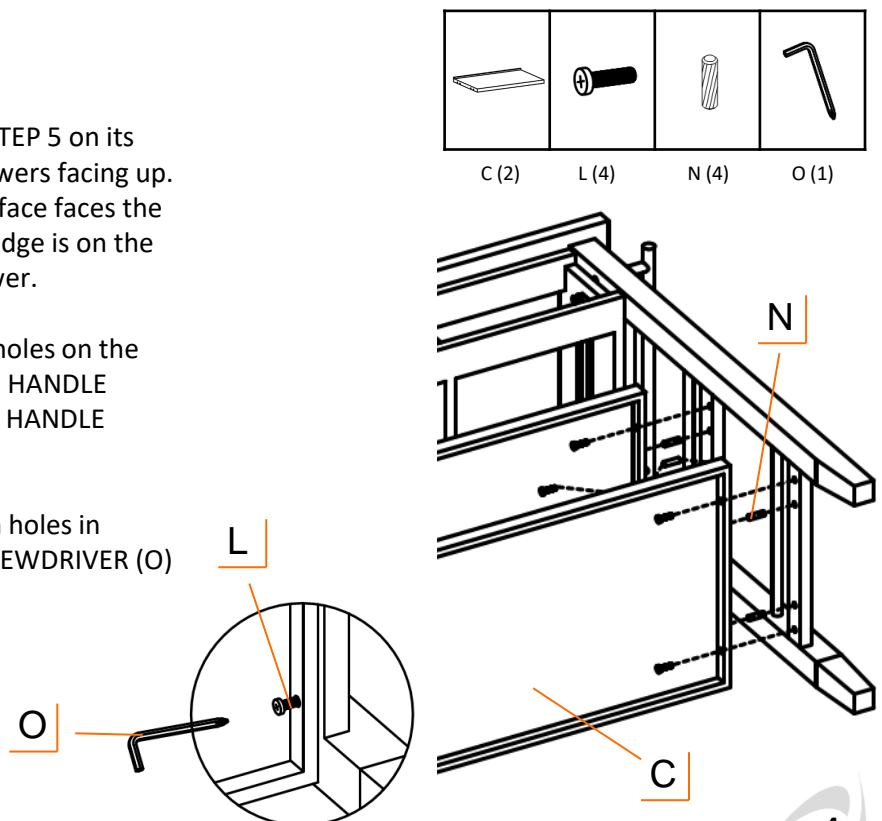


STEP 6

Carefully lay the assembly from STEP 5 on its side with the opening for the drawers facing up. Orient SHELVES (C) so the flat surface faces the DRAWER FRAME (B) and raised ledge is on the same side as the back of the drawer.

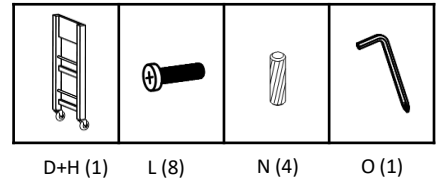
Place DOWELS (N) into the blind holes on the sides of SHELVES (C) that face the HANDLE FRAME (E). Push SHELVES (C) and HANDLE FRAME (E) together.

Place FRAME SCREWS (L) through holes in SHELVES (C) and tighten with SCREWDRIVER (O) to nuts in HANDLE FRAME (E).



ASSEMBLY INSTRUCTIONS

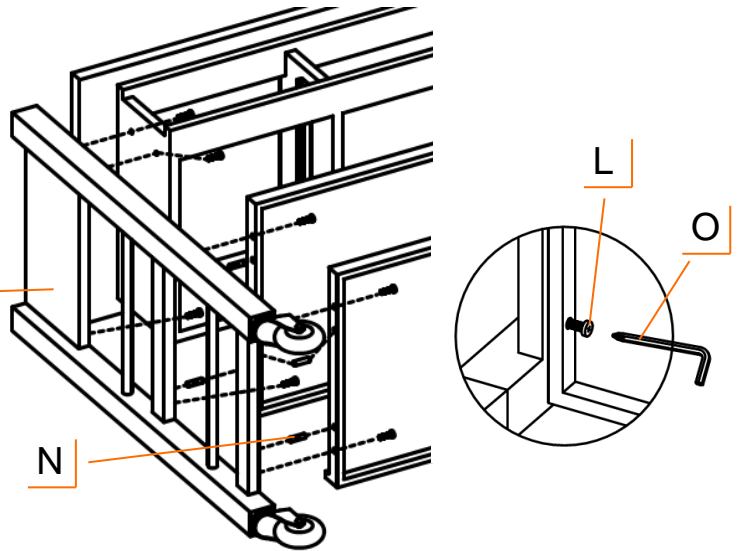
STEP 7



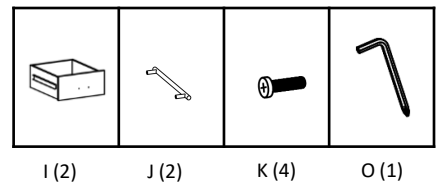
Place DOWELS (N) into the blind holes on the other side of SHELVES (C). Lay CASTER FRAME (D) on its side and push SHELVES (C) and CASTER FRAME (D) together.

Place FRAME SCREWS (L) through holes in DRAWER FRAME (B) and tighten with SCREWDRIVER (O) to nuts in CASTER FRAME (D).

Place FRAME SCREWS (L) through holes in **D** SHELVES (C) and tighten with SCREWDRIVER (O) to nuts in CASTER FRAME (D).



STEP 8

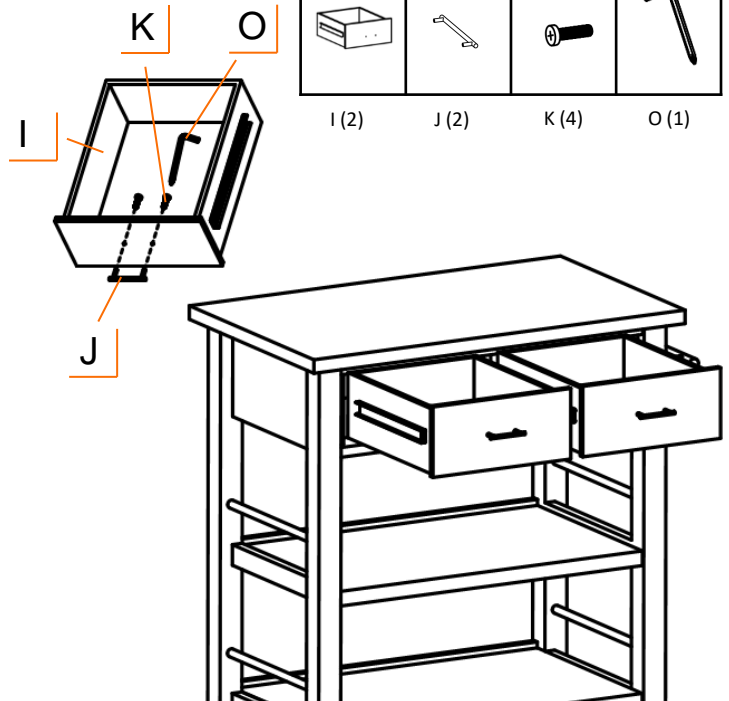


Stand the Kitchen Cart upright.

Place PULL SCREWS (K) through holes in DRAWER (I) from the inside and tighten with SCREWDRIVER (O) to DRAWER PULL (J).

Align rails on DRAWER (I) with rails on the Kitchen Cart. Push DRAWER (I) all the way into DRAWER FRAME (B).

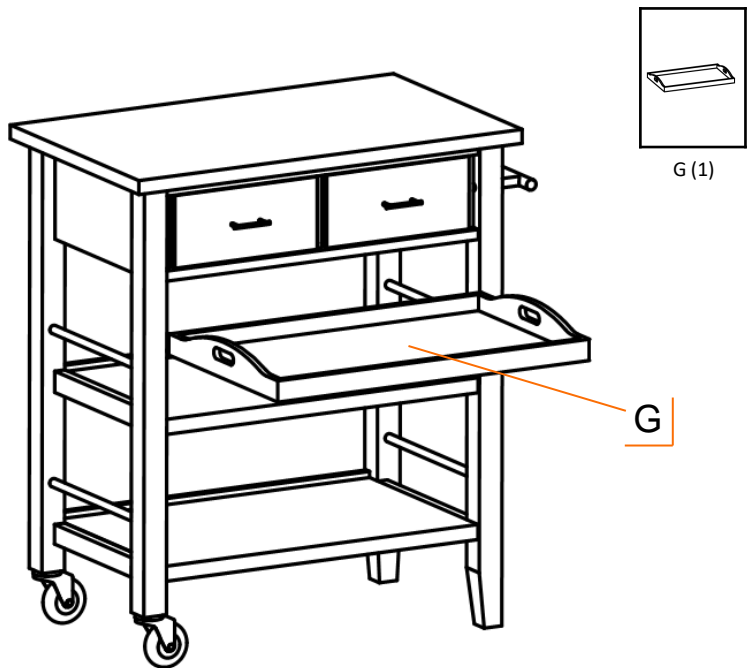
Repeat for the other DRAWER (I).



ASSEMBLY INSTRUCTIONS

STEP 9

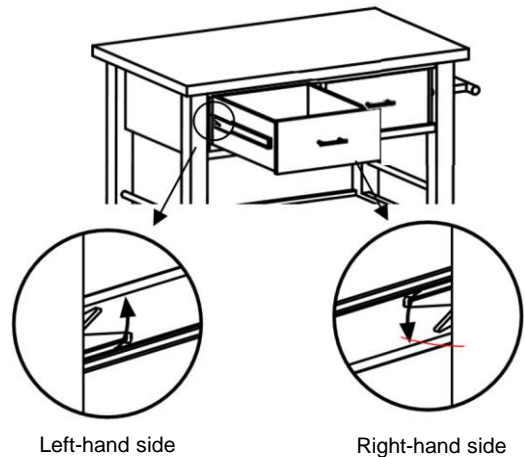
Place TRAY (G) onto SHELF (C).



USAGE INSTRUCTIONS

Drawer Removal

Pull one DRAWER (I) out so that it is almost fully extended. On the LEFT-hand side, pull the black release lever UP. On the RIGHT-hand side, push the black release lever DOWN. While holding the levers as instructed, pull the DRAWER (I) forward until released from the slides attached to the Kitchen Cart.



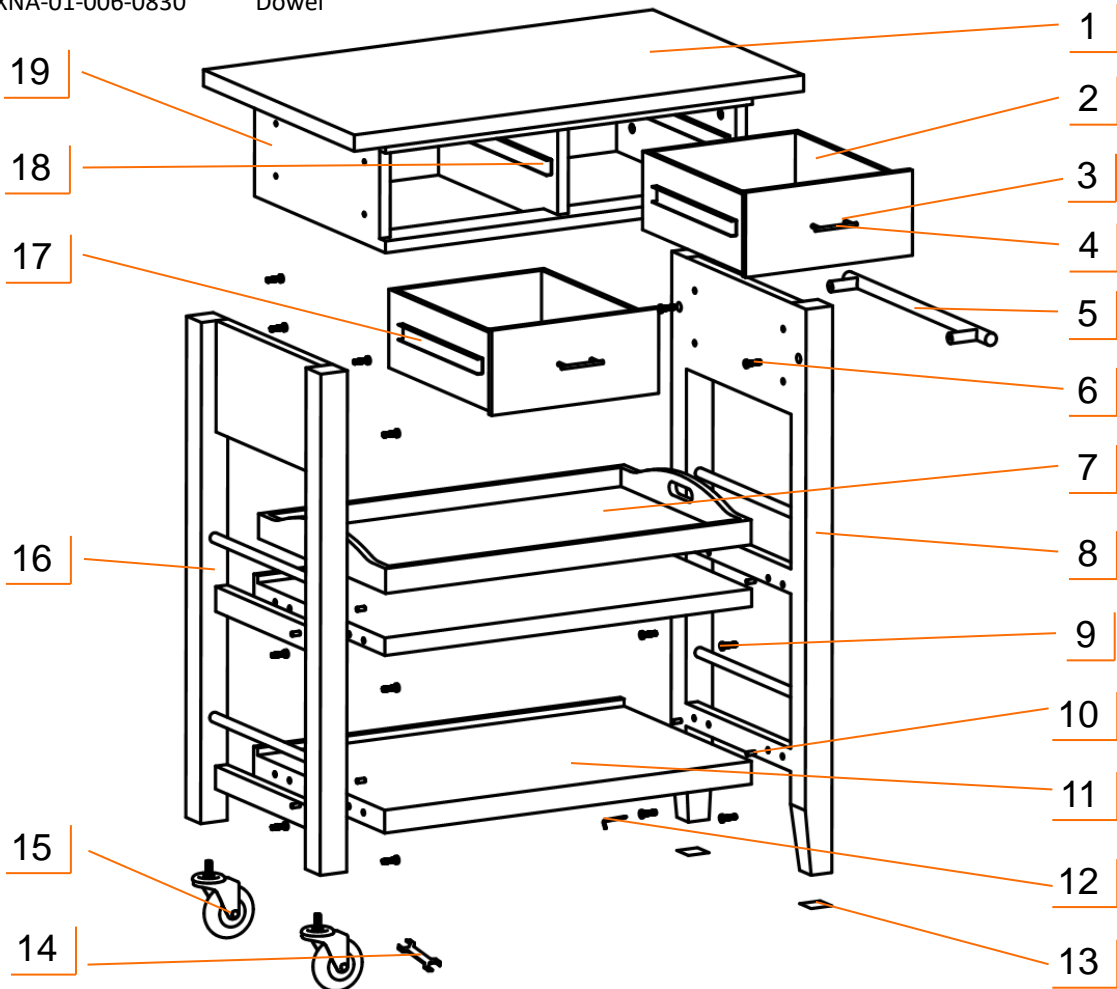
Drawer Replacement

Align rails on DRAWER (I) with rails on the Kitchen Cart. Push DRAWER (I) all the way into DRAWER FRAME (B).

SERVICE PARTS LIST – TBFLWH-1404 White Color

TRINITY Customer Service provides the following replacement parts:

#	Part Number	Description	#	Part Number	Description
1)	LNA-06-004-3018	Wood Top	11)	LWH-03-005-2516	Shelf
2)	LWH-07-002-1305	Drawer	12)	XXX-97-001-0002	Screwdriver
3)	ZSV-01-004-0420	Pull Screw	13)	XBK-98-002-2525	Foot Pad
4)	XBS-05-004-0275	Drawer Pull	14)	XXX-97-002-0001	Wrench
5)	XBS-05-004-1600	Side Handle	15)	ZSV-99-007-3010	Caster
6)	ZSV-01-004-0643	Handle Screw	16)	LWH-14-006-1630	Caster Frame
7)	LWH-21-004-2415	Tray	17)	ZBK-12-005-1350	Slide (drawer side)
8)	LWH-14-005-1634	Handle Frame	18)	ZBK-12-006-1350	Slide (cart side)
9)	ZBK-01-004-0628	Frame Screw	19)	LWH-18-014-2516	Drawer Frame
10)	XNA-01-006-0830	Dowel			



WARNINGS

1. **Read and understand all instructions.** Failure to follow all instructions may result in injury and /or damage.
2. **The warnings, cautions, and instructions discussed in this manual cannot cover all possible conditions or situations that may occur.** The user must always be aware of their environment and ensure that they use the product in a safe and responsible manner.
3. **Do NOT modify the product in any way.** Unauthorized modification may impair the function and/or safety of the product, and may affect the life of the product. Any modifications will void product warranty.
4. **Check for damaged parts.** Before using this product, carefully check that all parts are in good condition, and that the product will operate properly and perform its intended function. Check for damaged parts and any other conditions that may affect the operation of this product. Replace damaged or worn parts, and never use this product with a damaged part.
5. **Do NOT overload the product.**

Weight capacity per Shelf (evenly distributed)	50 lb
Weight capacity on Wood Top (evenly distributed)	50 lb
Weight capacity per Drawer (evenly distributed)	25 lb
Total weight capacity of Kitchen Cart (evenly distributed)	200 lb

6. **Do NOT allow children to climb or play around the product.** Tipping may occur causing injury.
7. **Do NOT stand or lean on the product or use any part of this product as a step ladder.** Tipping may occur causing injury.
8. **Do NOT roll the product on an uneven surface.** Only move the product on a smooth surface. Rolling over rough or uneven surfaces may cause casters to break or items on the product to fall, resulting in injury and / or damage. Wood and laminate flooring can be scratched or dented. Ensure your flooring can bear the weight of loaded product before rolling loaded product across your flooring.
9. **Do NOT move a loaded cart.** Tilting of cart is needed to move it and items may fall causing damage or injury.

CARE AND MAINTENANCE

- Avoid harsh, abrasive cleaners, and other corrosive chemicals.
- Keep dry and avoid damp environments. Clean up any spills immediately to prevent stains from forming on wood surface.
- Do NOT use scouring pad for cleaning. Wood top can be cleaned with damp cloth and wiped dry immediately with dry cloth. If needed, solvent-based wood furniture cleaner can be used.

PRODUCT REGISTRATION

Thank you for purchasing a TRINITY Wood Kitchen Cart w/Drawers and Tray. In order to register your product and receive streamlined customer service, please fill out the following Product Registration Form and (1) fax the form to 310.347.4134 (2) complete the Product Registration Form online at www.trinityii.com or (3) scan and email the form to customerservice@trinityii.com. Include a copy of your original receipt with your submission.

First Name: _____ Last Name: _____

Address: _____

City: _____ State: _____ Zip Code: _____

Email Address: _____ Phone: _____

Product Model #: TBFLWH-1404 Purchase Date: ____ / ____ / ____

Location of Purchase: _____

Please rate the importance of each feature (1=least important; 10=most important)

Quality ____ Price ____ Size/Capacity ____ Appearance ____ Other ____

How did you hear about our product?

- Magazine Ad Catalog Salesperson Word of Mouth
 Internet Store Display Other

Marital Status: Single Married

Household Income: Below \$50,000 \$50,000-\$150,000 \$150,000+

Education: High School College Graduate School

Primary Residence: Own Rent

Comments/Suggestions:



1 YEAR LIMITED WARRANTY

TRINITY Wood Kitchen Cart w/Drawers and Tray - White Model # TBFLWH-1404

Trinity International Industries (“Trinity”) warrants to the original consumer purchaser (“Purchaser”) of the TRINITY Wood Kitchen Cart w/Drawers and Tray (“Product”) that each Product shall be free from defects in workmanship and materials for a period of 1 year from the date of original purchase. Trinity’s obligation under this warranty shall be limited to repair or replacement of, or adequate compensation for the Product which shall not be greater than the amount of the purchase price of the Product, at the option of Trinity, during the warranty period. All replaced parts and Products become the property of Trinity and must be returned to Trinity.

This warranty excludes normal wear and tear of the Product and its parts or components, and damage arising from any of the following: negligent use or misuse of the Product, use contrary to this User’s Manual, or alteration by any one other than Trinity. The warranty period of 1 year shall not be extended or renewed by the repair or replacement of, or compensation for, the Product. Any warranty implied by applicable law is limited in duration to one year from the date of purchase and is subject to the same conditions and limitations as is provided for our express warranty.

Except as set forth herein, and to the extent of applicable there are no warranties on this Product either express or implied, and Trinity disclaims all warranties including, but not limited to, any implied warranties of merchantability, infringement or fitness for a particular purpose. No warranty or guarantee given by any person, firm, or corporation with respect to this product shall be binding on Trinity.

If your Product is defective or otherwise requires service or parts, please call TRINITY Customer Service toll-free at (800) 985-5506, between 5:00 a.m. and 5:00 p.m., PST. Please tell us which model you purchased, the date of the purchase, and the problem with your Product. A copy of your original purchase receipt must accompany your service request.

LIMITATION OF REMEDIES AND LIABILITY

Trinity (and its employees, officers, members, managers, affiliates and assigns) shall not be liable for any incidental, consequential, special, indirect, remote, special or punitive damages for breach of any warranty, express or implied, including, but not limited to, lost profits, lost savings, loss of anticipated benefits and attorneys’ fees, which arise out of the purchase, use or inability to use the Product, whether arising out of contract, negligence, strict tort, product liability, or any other legal theory on which a claim is based. As noted above, to the extent damages are allowed by our express warranty or by applicable law, those damages may not exceed the purchase price paid for the Product. Without limiting the foregoing Purchaser assumes all risk and liability for loss, damage or injury to Purchaser and Purchaser’s property and to others and their property arising out of the use, misuse, or inability to use this Product. This limited warranty shall not extend to anyone other than the original purchaser of this product, is nontransferable and states your exclusive remedy.

Some states do not allow the exclusion or limitation of incidental, consequential, special, or punitive damages, so the above limitation or exclusion may not apply to you. The above warranty gives you specific legal rights, and you may have other rights which vary from state to state.

CONTACT US

**QUESTIONS? NEED PARTS?
WE ARE HERE TO HELP!**

Please feel free to contact us. There are no questions too small, or any problems too big. We're committed to providing our customers with the highest level of service.

TRINITY Customer Service

TEL: 800.985.5506

FAX: 310.347.4134

EMAIL: customerservice@trinityii.com

**Monday through Friday
5:00 AM – 5:00 PM (PST)**

www.trinityii.com