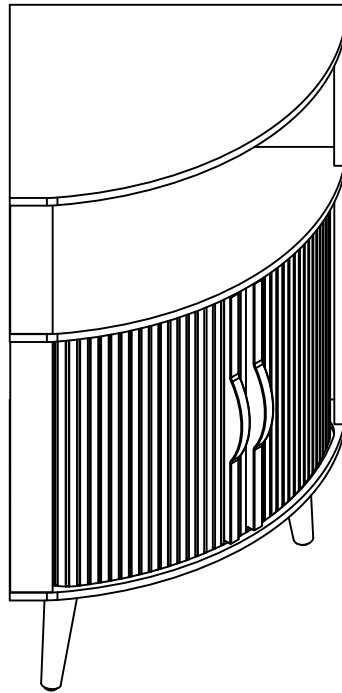


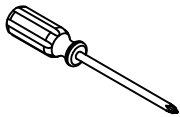
Installation Instruction



Assembling

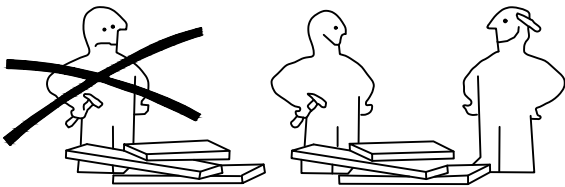
What you need

- Use the packaging carton as a working surface to prevent product damage during assembly
- Phillips head screwdriver



Weight Limitation

 **100** | **35**
lbs table top | lbs per

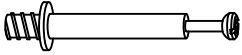


What' included

Code	Description	Qty
A	Cam Bolt M6X35MM	21
B	Cam Lock 15X10MM	21
C	Wooden Dowel M8X30MM	25
D	Screw M4X40MM	10
E	Screw M3.5X14MM	23
F	The metal plate	3
G	Nylon Strap	2
H	Solid wood handle	2
I	Screw M3.5X12MM	2
J	Wooden Dowel M8X30MM	2
K	Anchor	2
L	MATS	3
N	Self-adhesive hole sticker	21

The Hardwares

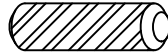
A



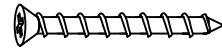
B



C



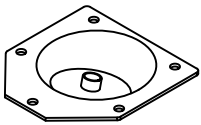
D



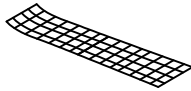
E



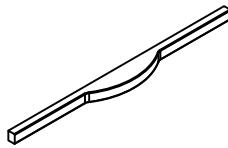
F



G



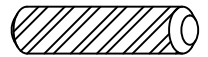
H



I



J



K



L



N



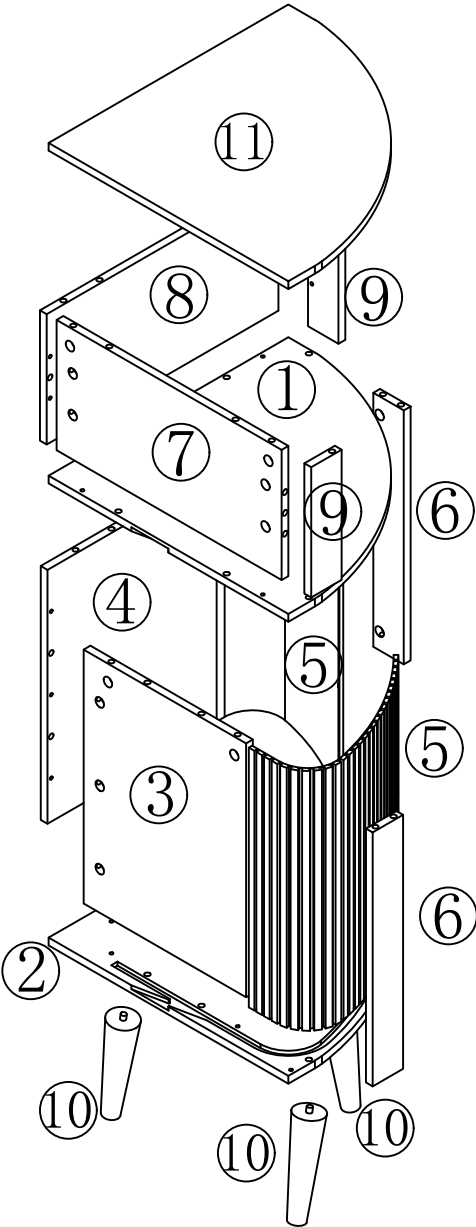
IMPORTANT:

1. Do not tighten bolts / screws completely until all bolts / screws are lined up and inserted into holes.
2. Do not over tighten screws and bolts to avoid stripping
3. You can use a screwdriver. Power tools can also be used. Be careful with power tools

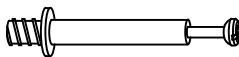
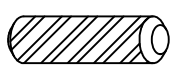
Included Accessories

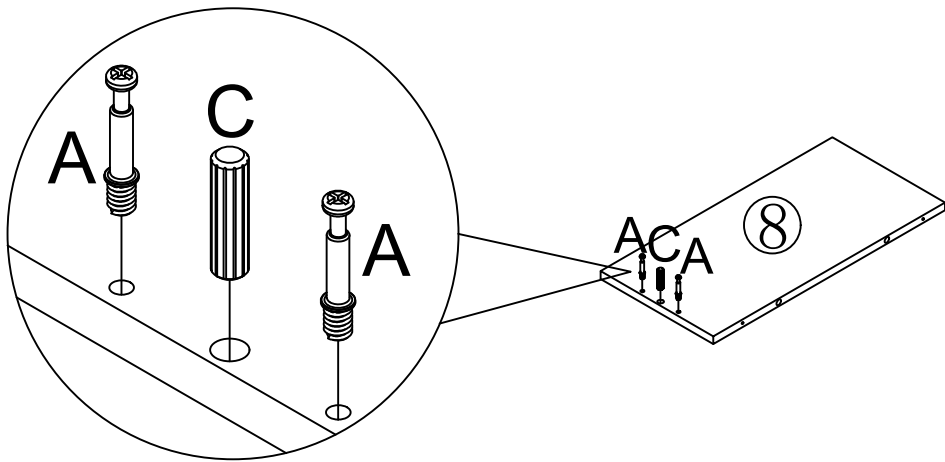
Code	Description	Qty
1	Cabinet Top	1
2	Bottom Panel	1
3	Inferior left side plate	1
4	Right lower lateral plate	1
5	Sliding door	2
6	Bottom trim	2
7	Superior left side plate	1
8	Right superior lateral plate	1
9	Top trim	2
10	Solid wood foot	3
11	Roof plate	1

The Accessoriess





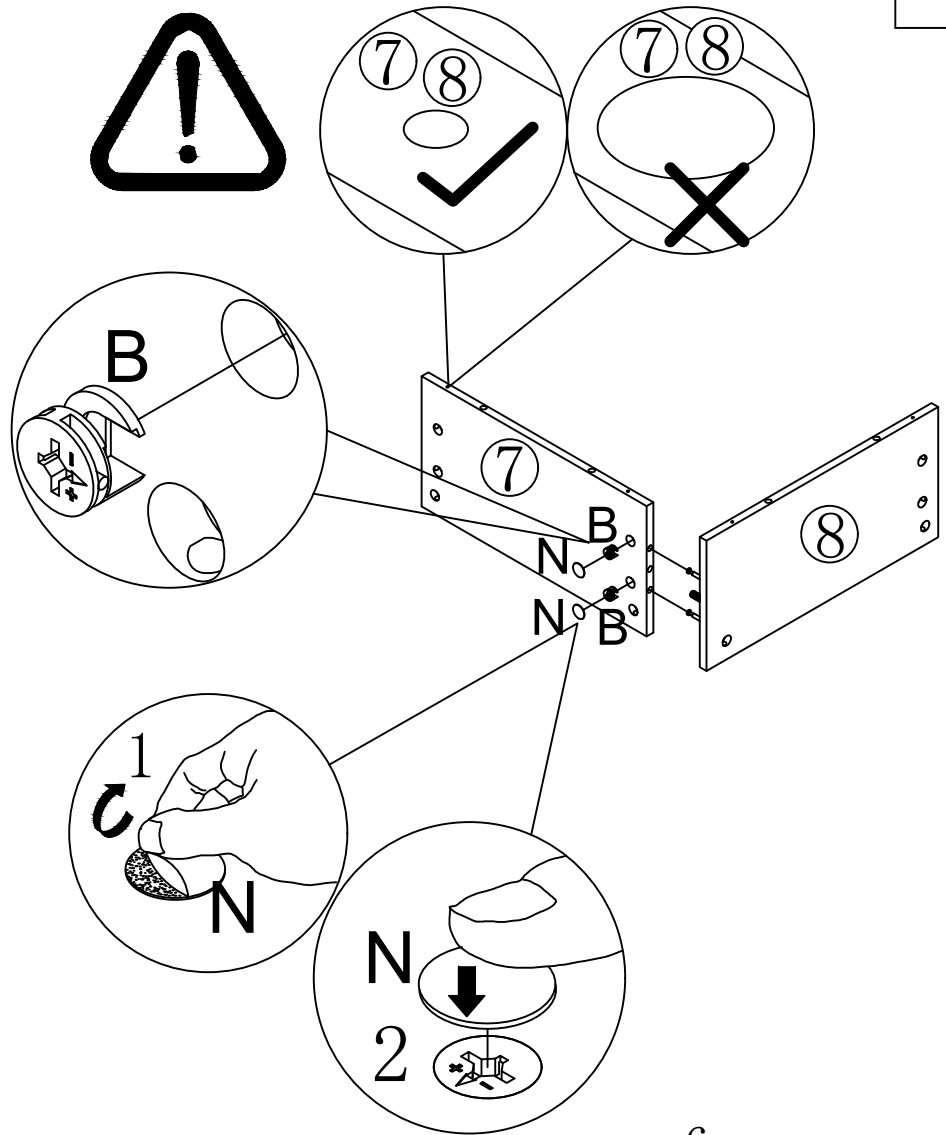
Step 1

A	×2	C	×1
			

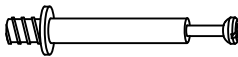
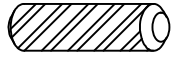


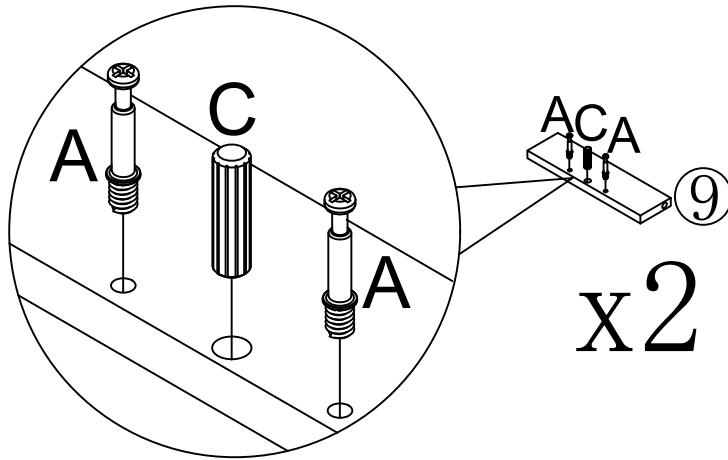
Step 2

B	×2	N	×2
			





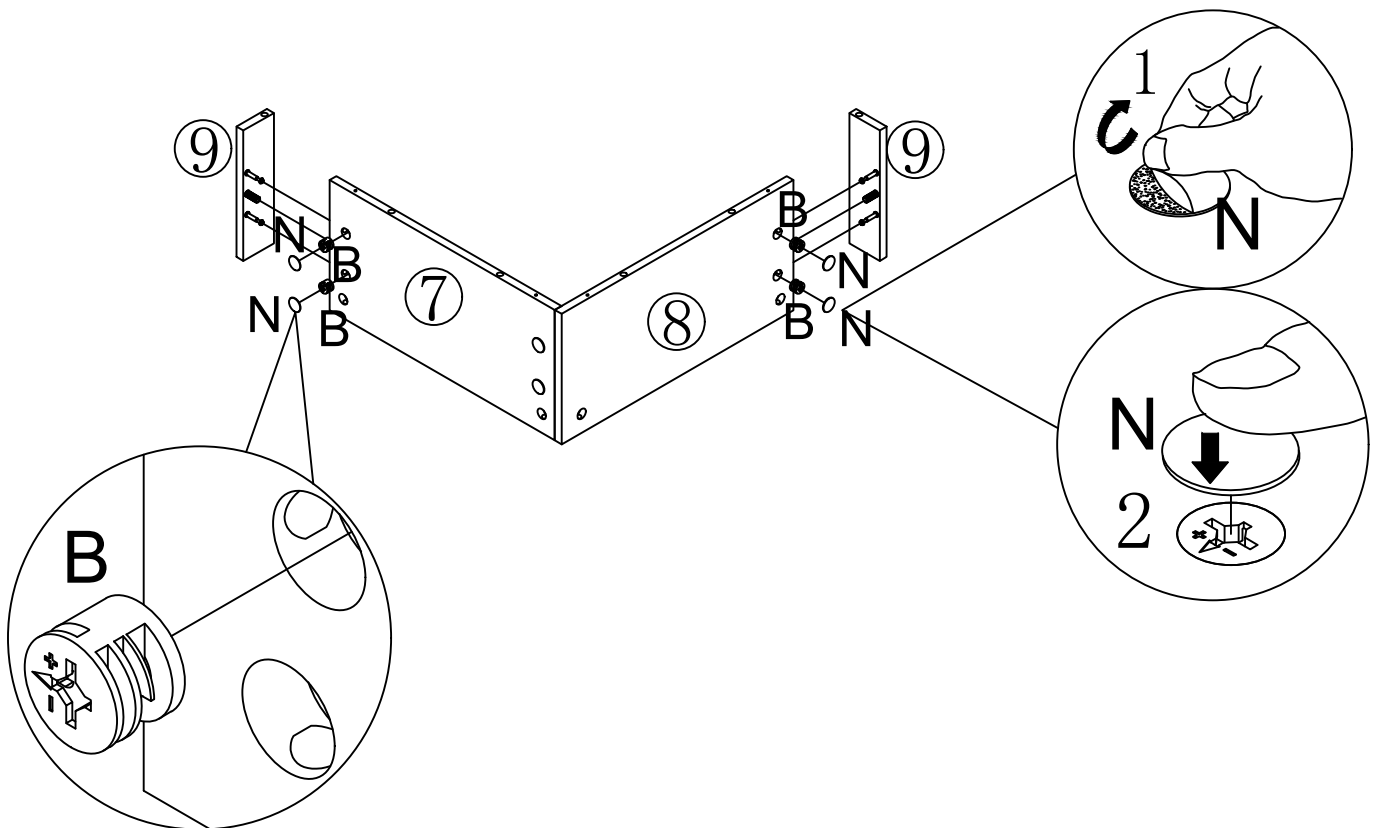
Step 3

A	×4	C	×2
			

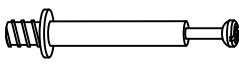
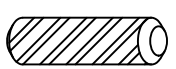


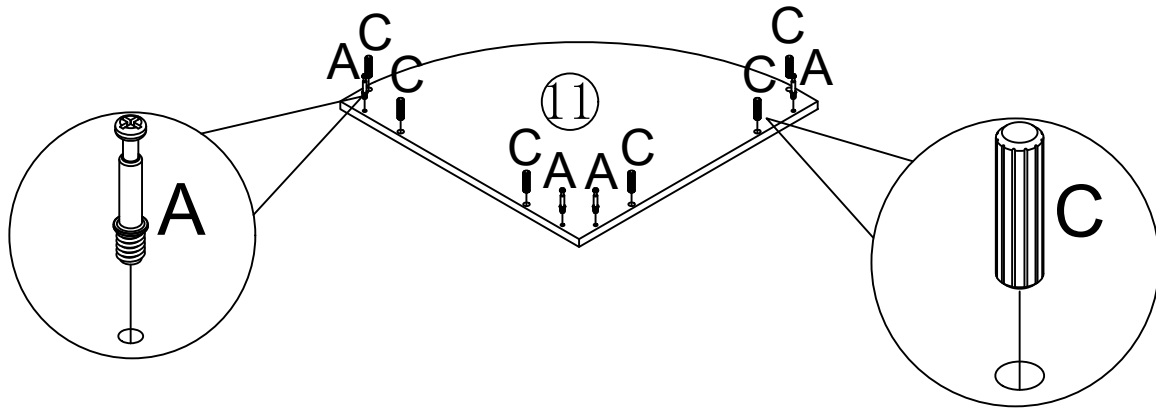
Step 4

B	×4	N	×4
			

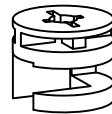



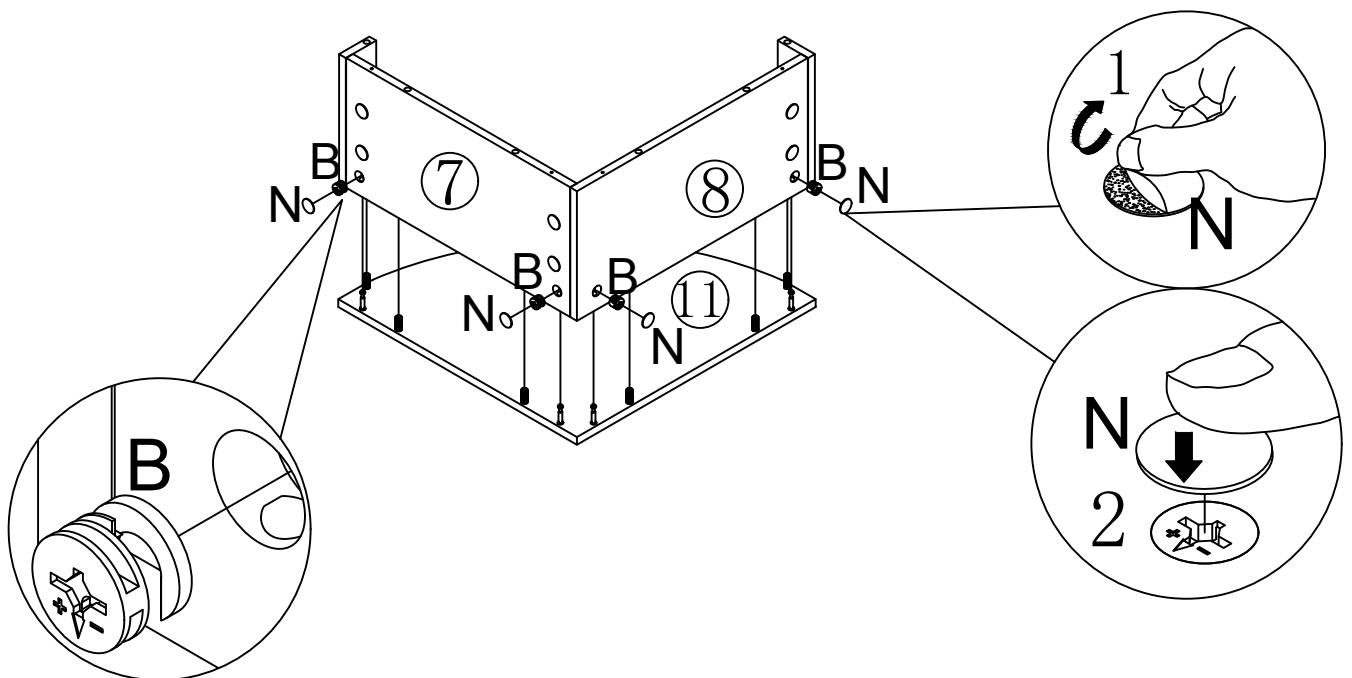
Step 5

A	×4	C	×6
			

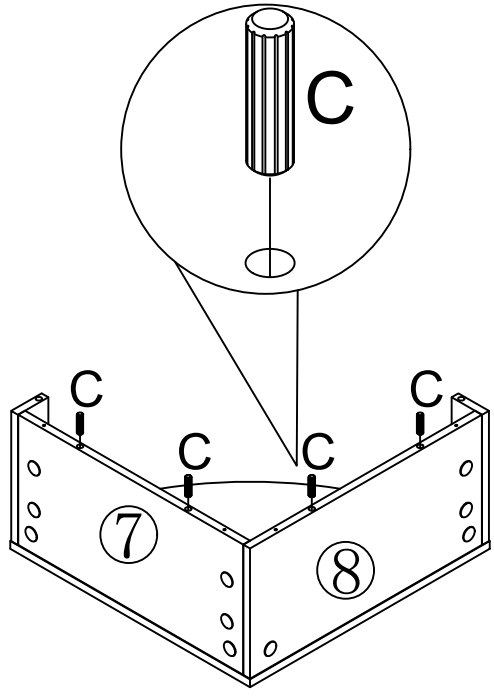


Step 6

B	×4	N	×4
			

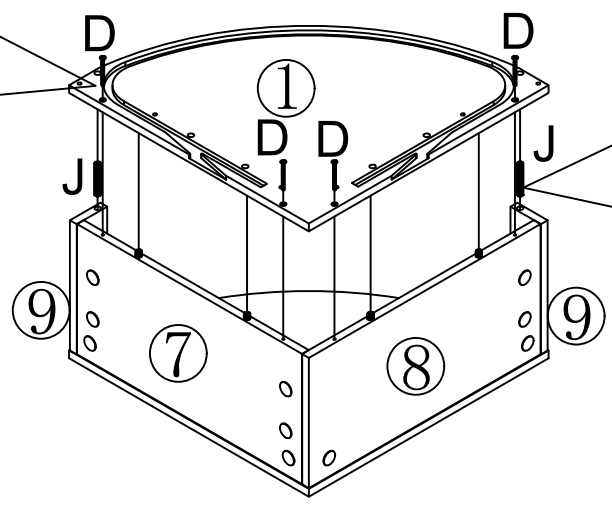
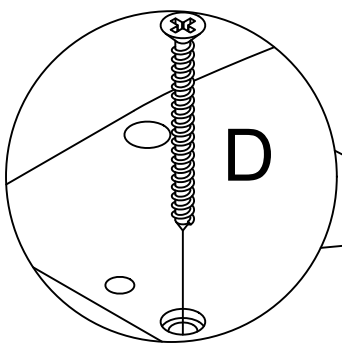


Step 7



C	×4

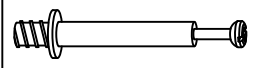
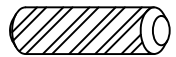
Step 8

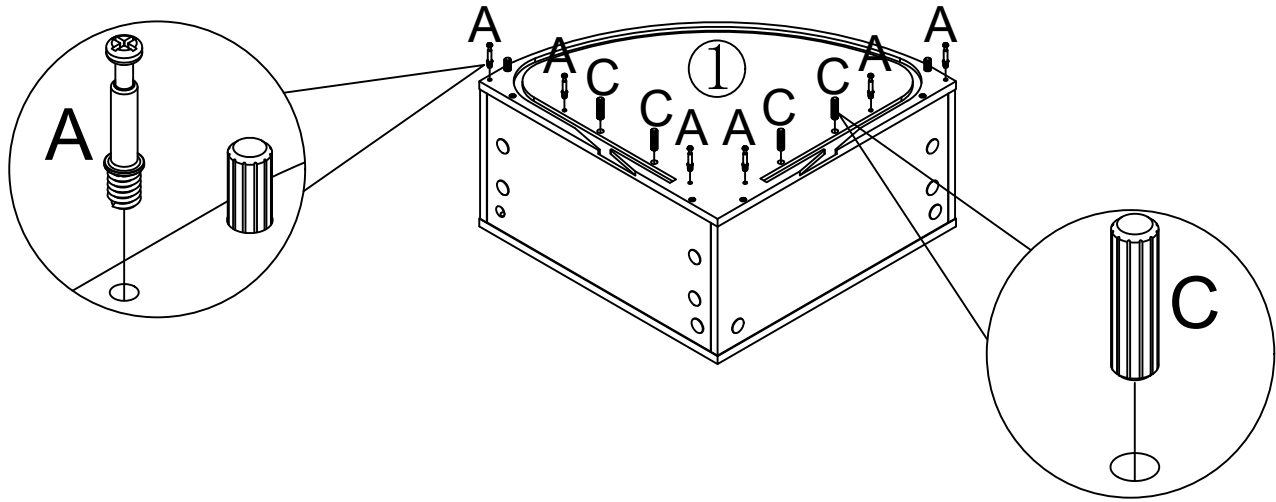


D	×4

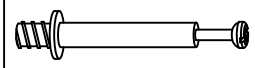
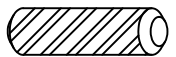
J	×2

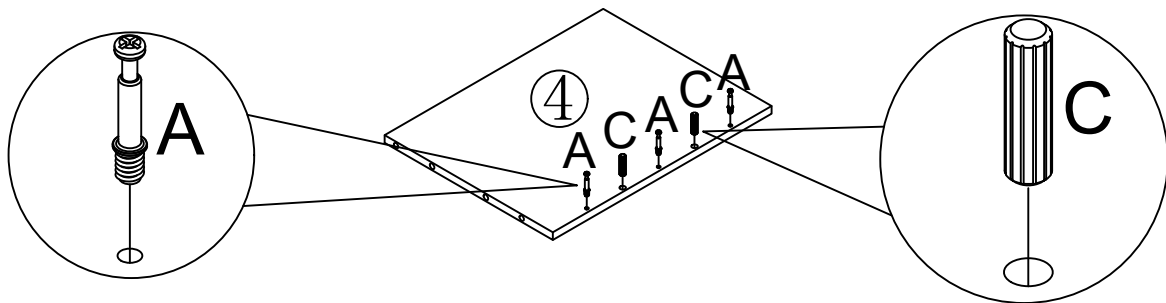
Step 9

A	×6	C	×4
			





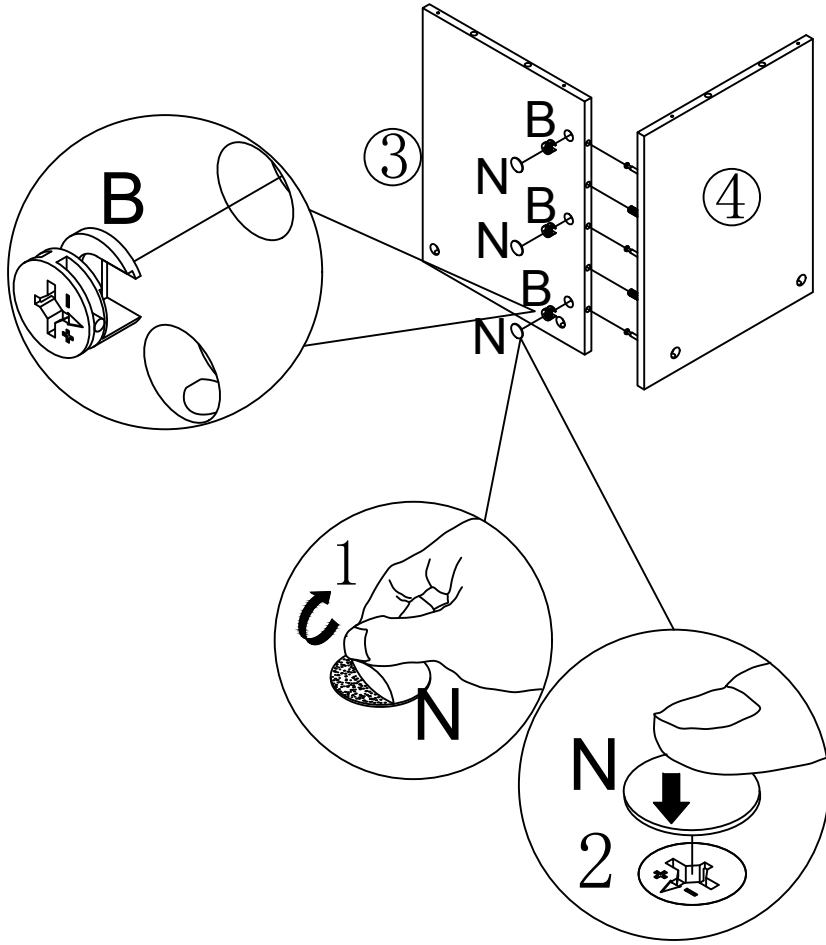
Step 10

A	×3	C	×2
			

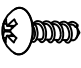
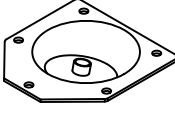
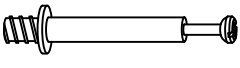


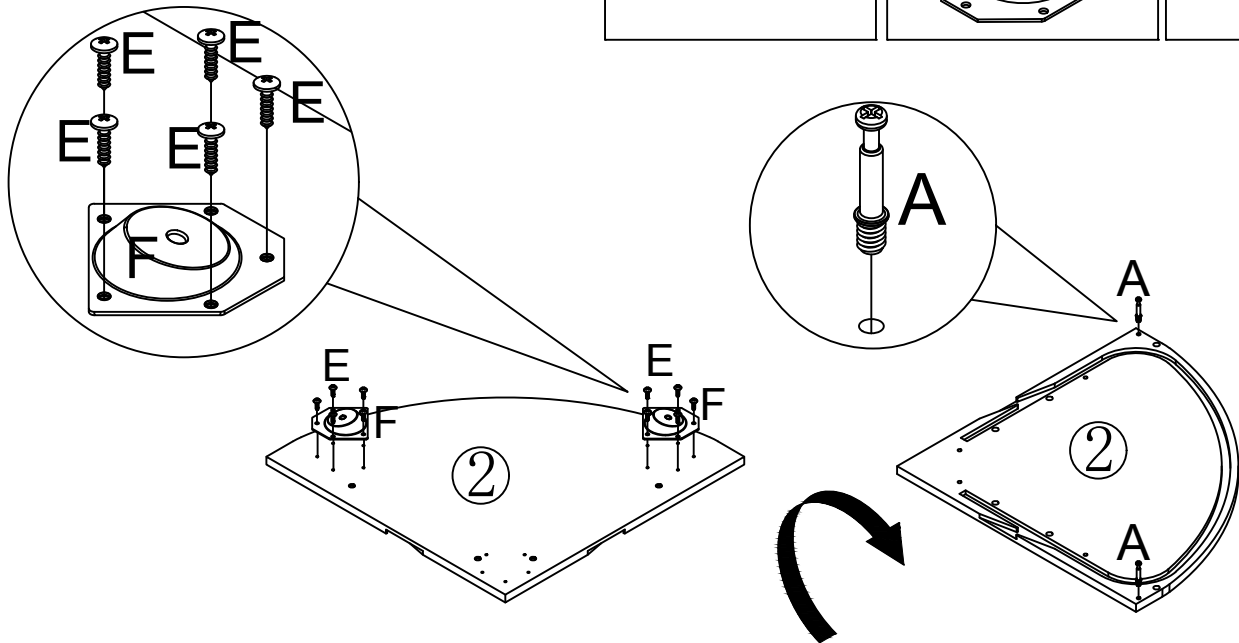
Step 11

B	×3	N	×3
			

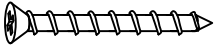



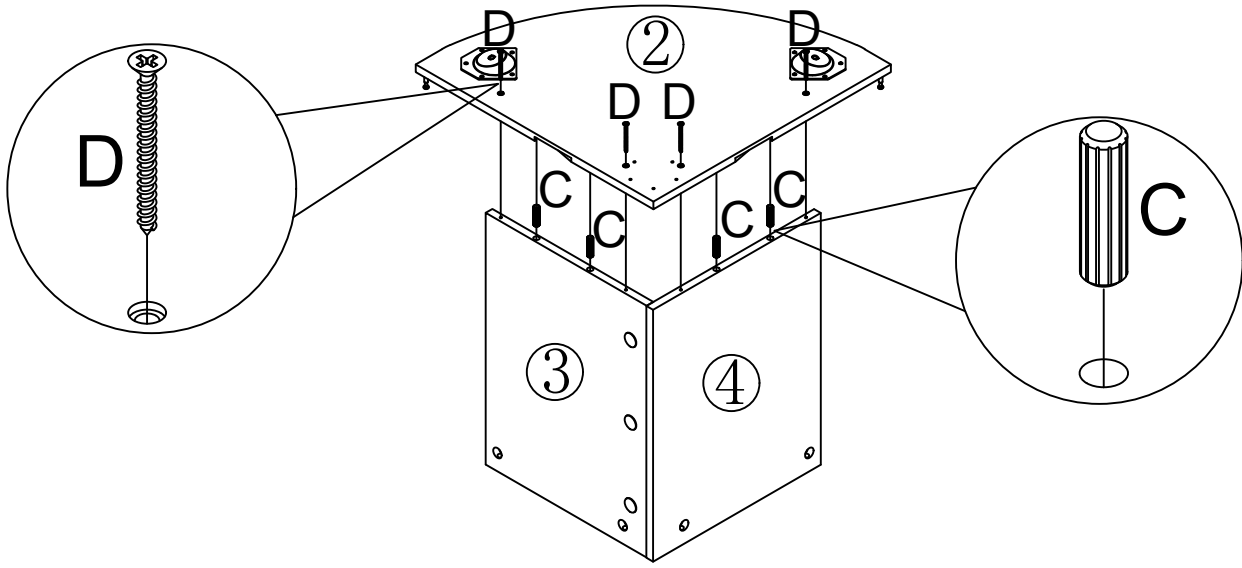
Step 12

E	×10	F	×2	A	×2
					


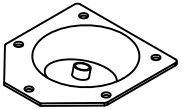


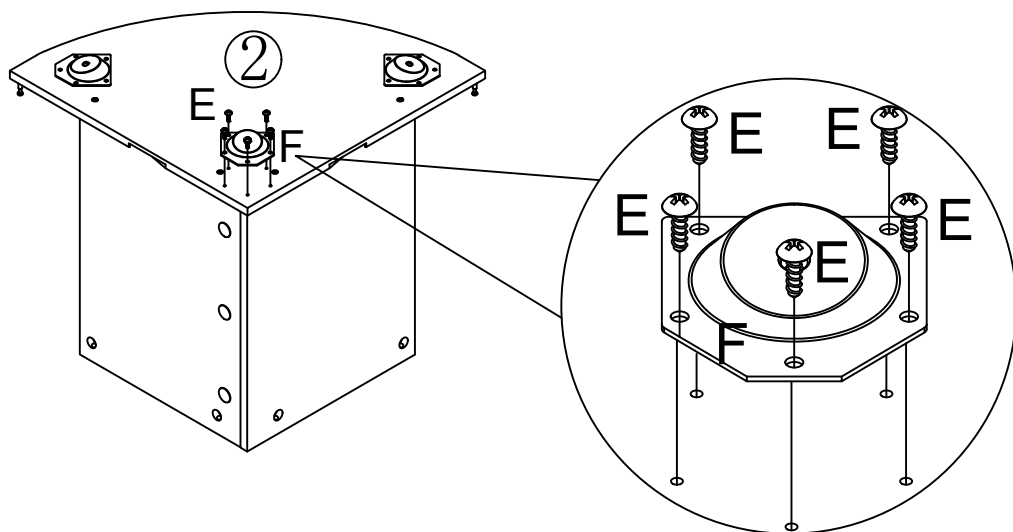
Step 13

D	×4	C	×4
			



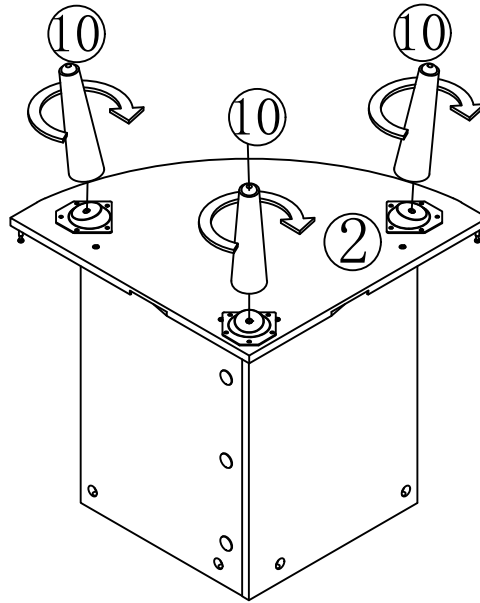
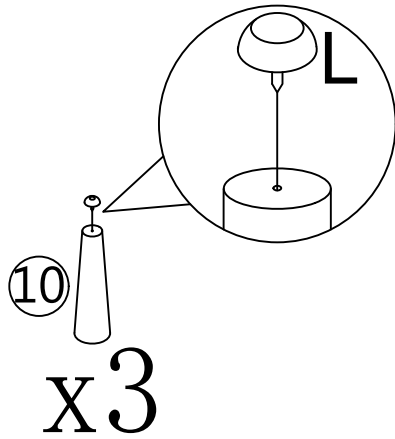
Step 14

E	×5	F	×1
			



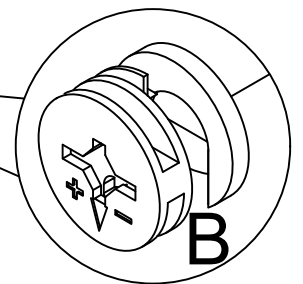
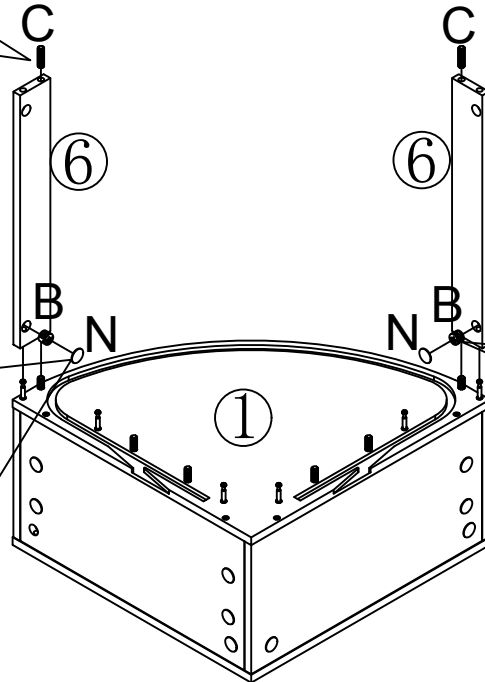
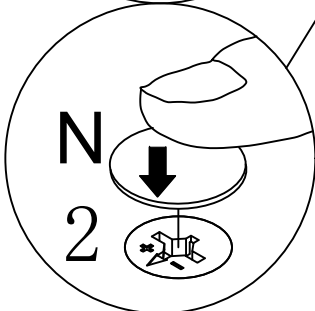
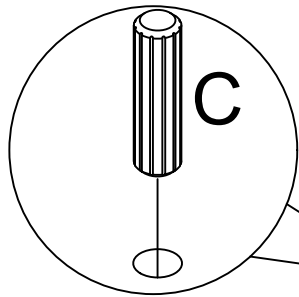
Step 15

L	×3





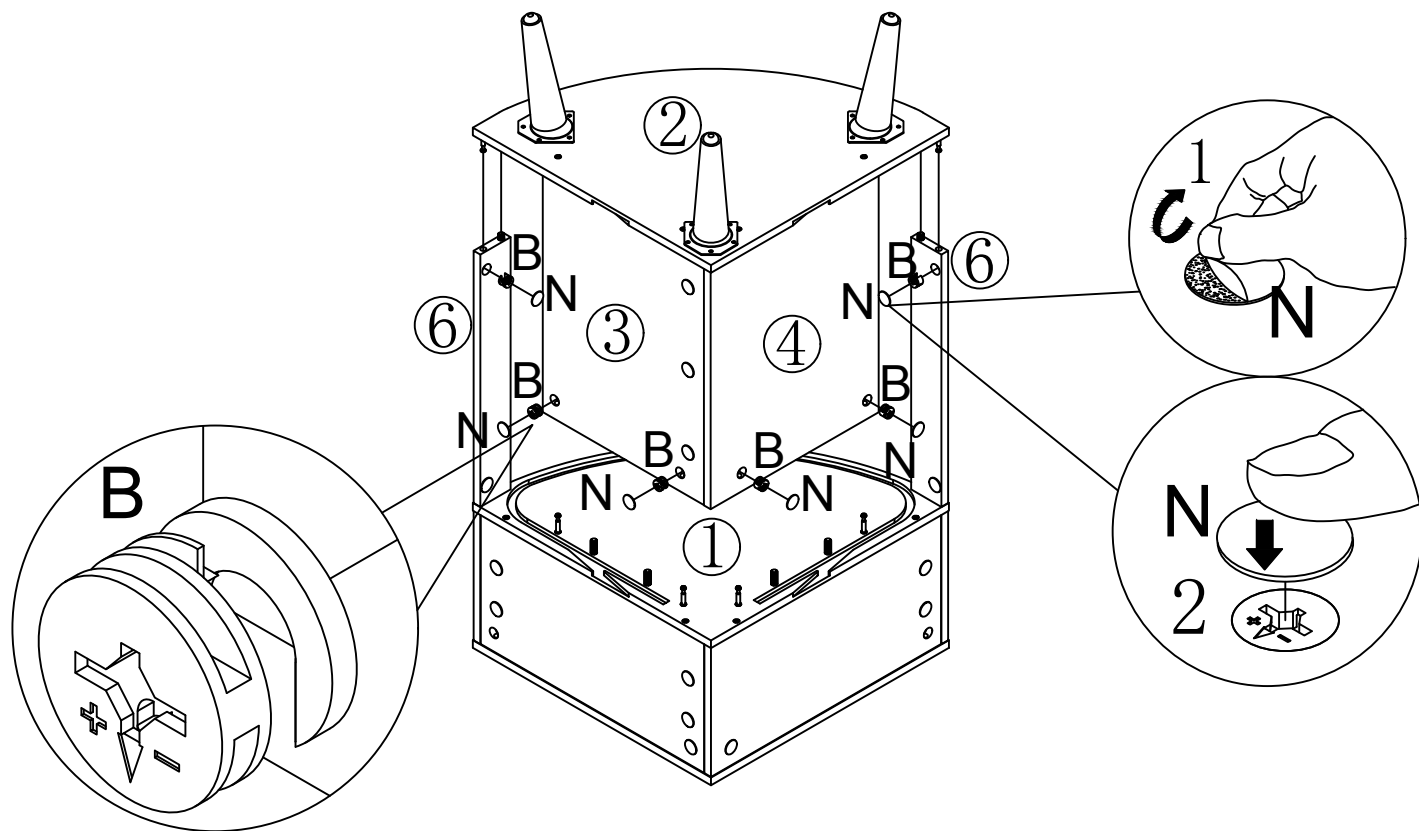
Step 16

B	×2	C	×2	N	×2



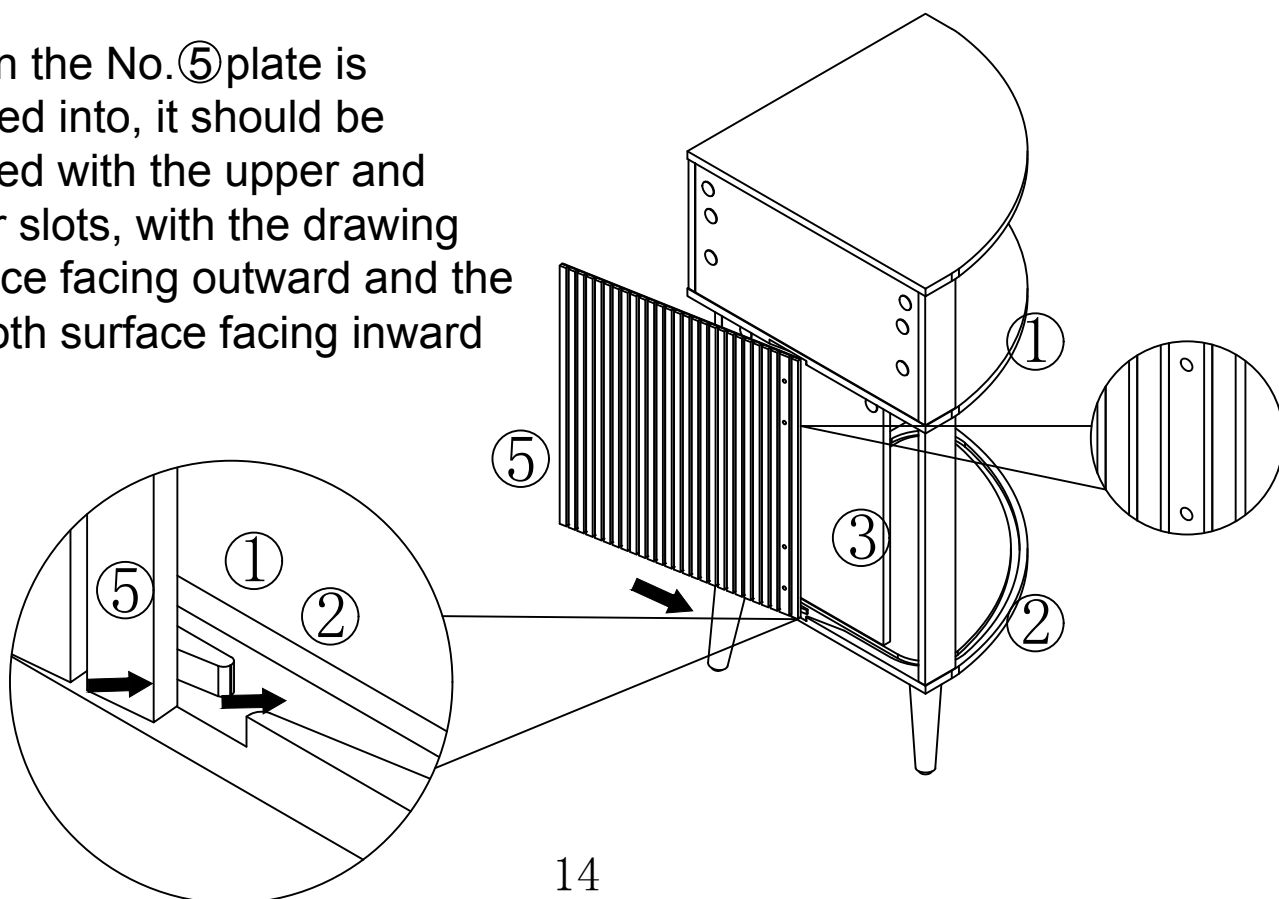
Step 17

B	×6	N	×6
			

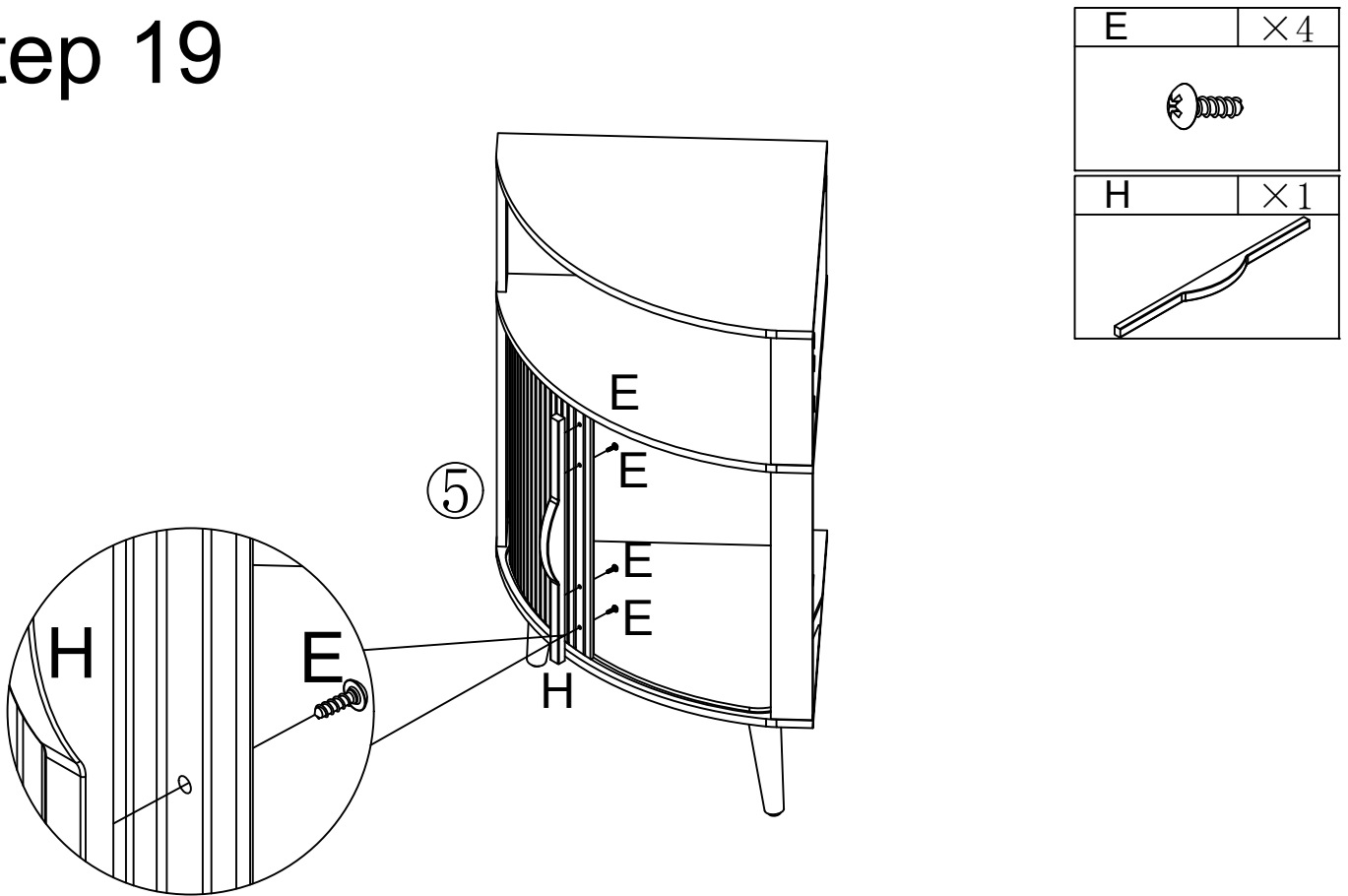


Step 18

When the No. ⑤ plate is pushed into, it should be aligned with the upper and lower slots, with the drawing surface facing outward and the smooth surface facing inward

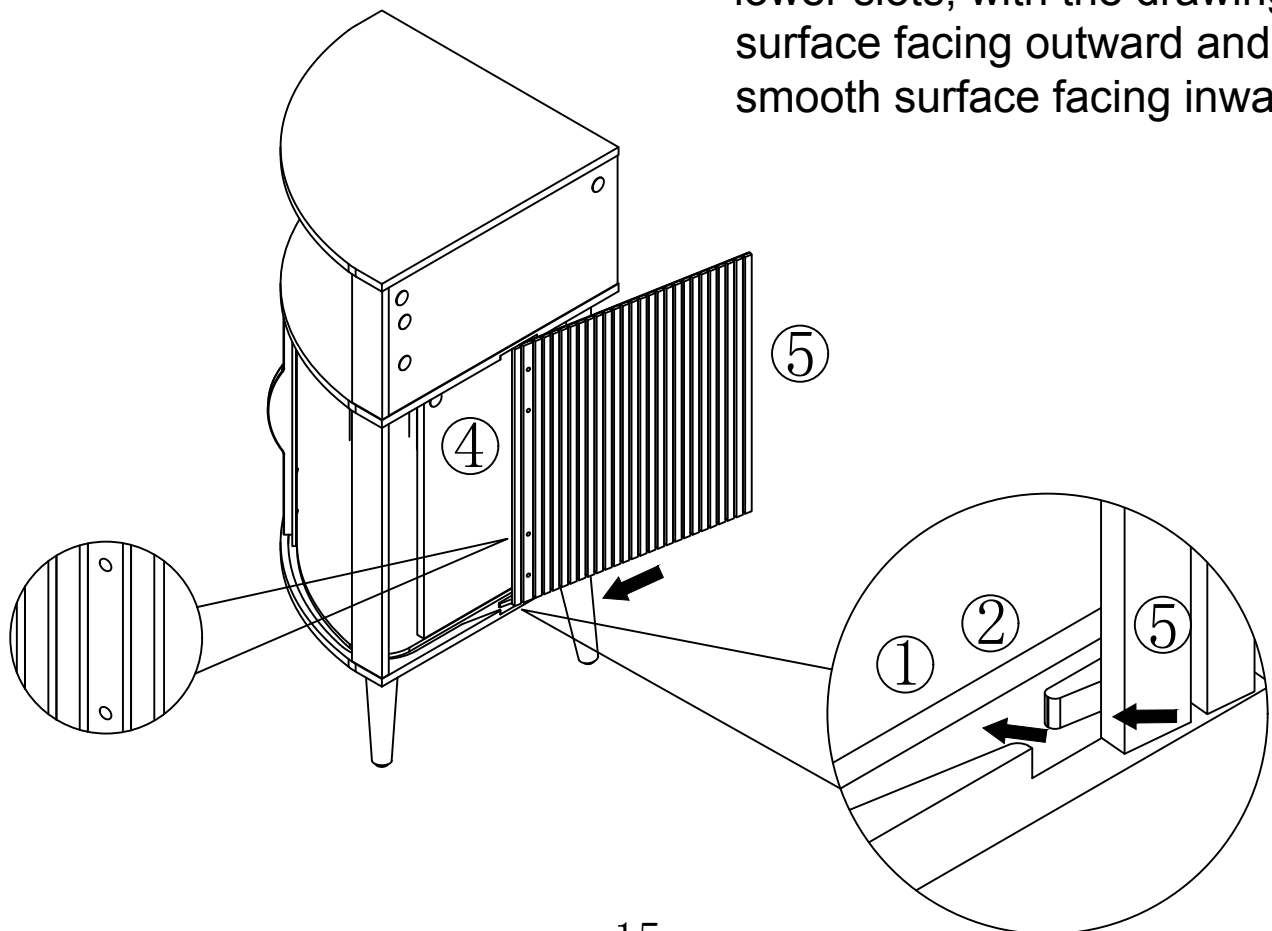


Step 19

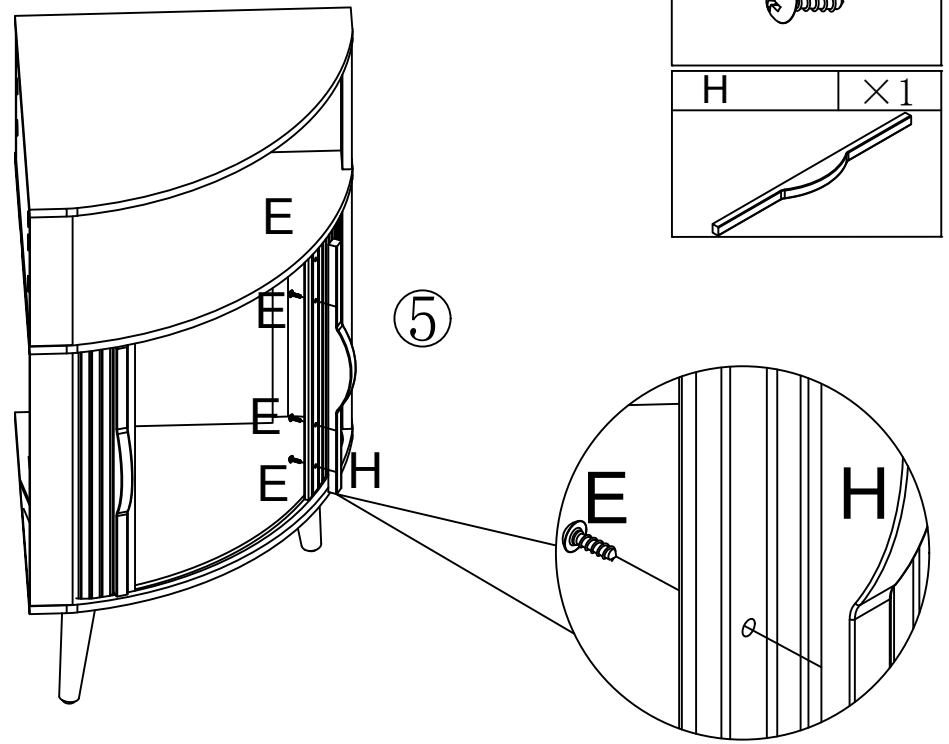


Step 20

When the No. ⑤ plate is pushed into, it should be aligned with the upper and lower slots, with the drawing surface facing outward and the smooth surface facing inward

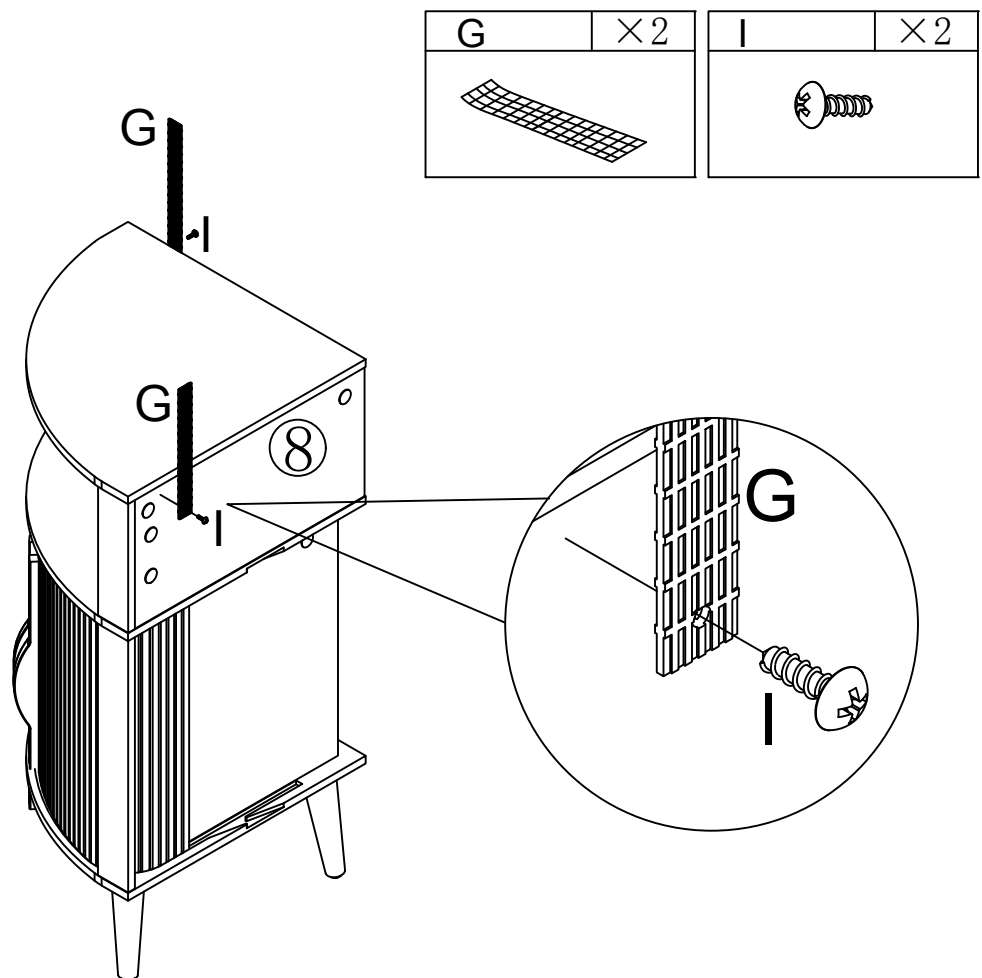


Step 21

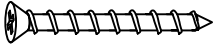



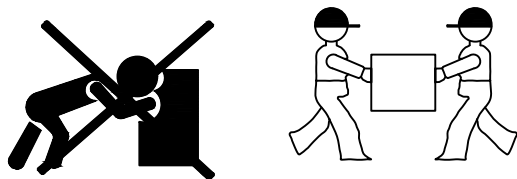
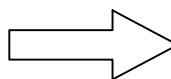
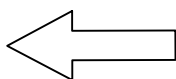
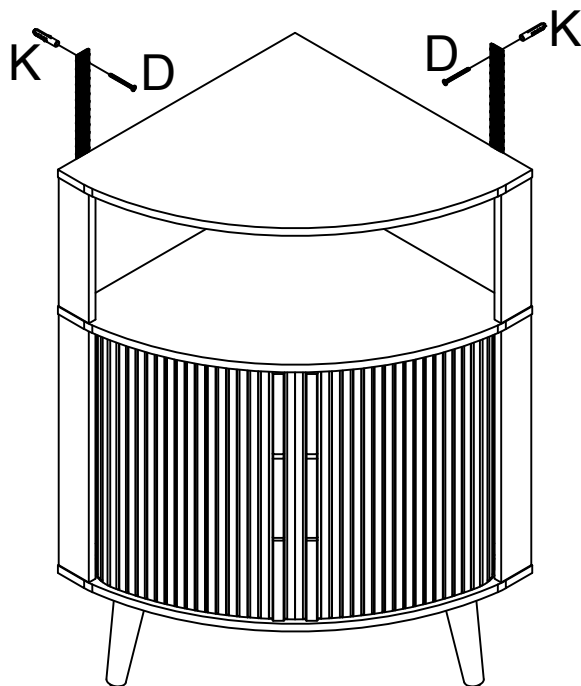
As you assemble this step
push the number ⑤ sliding
door on the other side a little

Step 22



Step 23

D	×2	K	×2
			



Two people work together to move the table.
Make sure you lift it off the ground.
Don't push and pull.