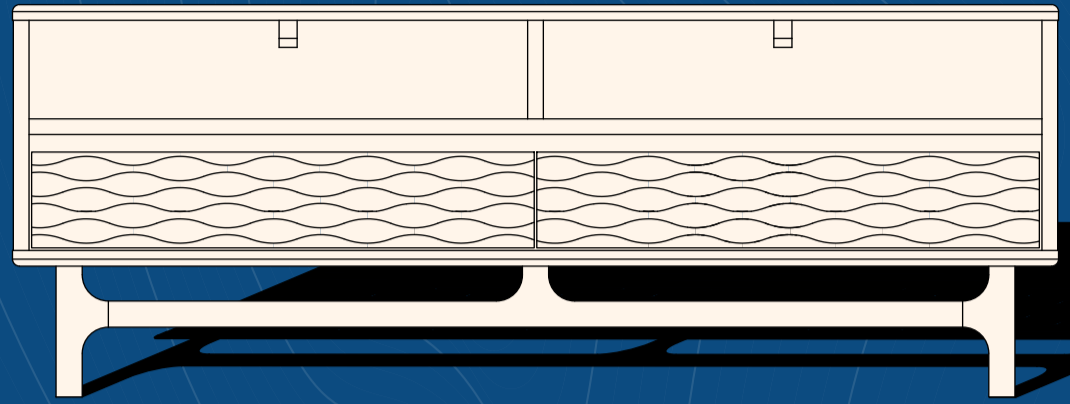
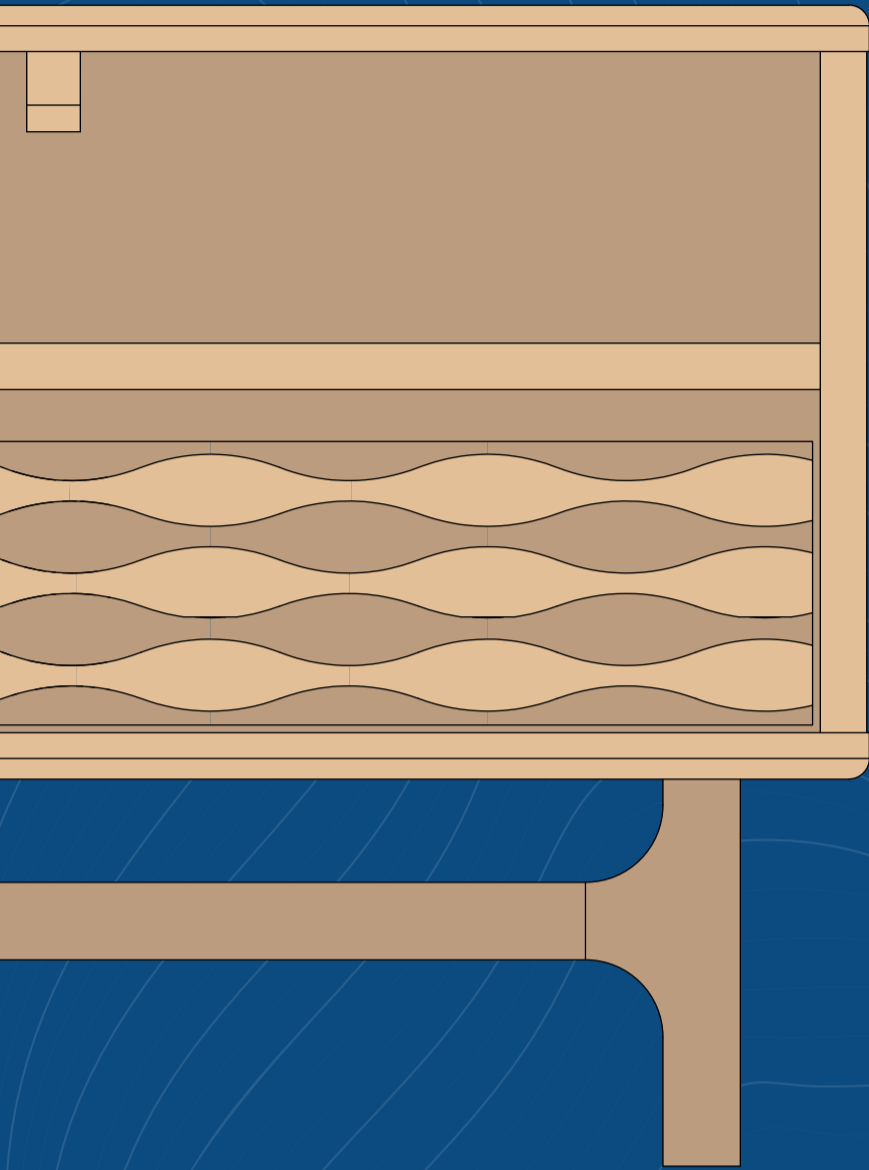


COFFEE TABLE WITH STORAGE



Easy Assembly



1-2 Assembly Recommended

USE & CARE

- No waxing or oiling needed; clean with a soft, dry or damp cloth using mild soap and cool water.
- Wipe spills immediately; keep away from heat sources.
- Maintain stable humidity to prevent warping.
- Avoid direct sunlight to prevent fading.
- Do not drag sharp or rough objects to avoid scratches.
- Check regularly to ensure table legs are securely attached.

WARNING – SAFETY INFORMATION

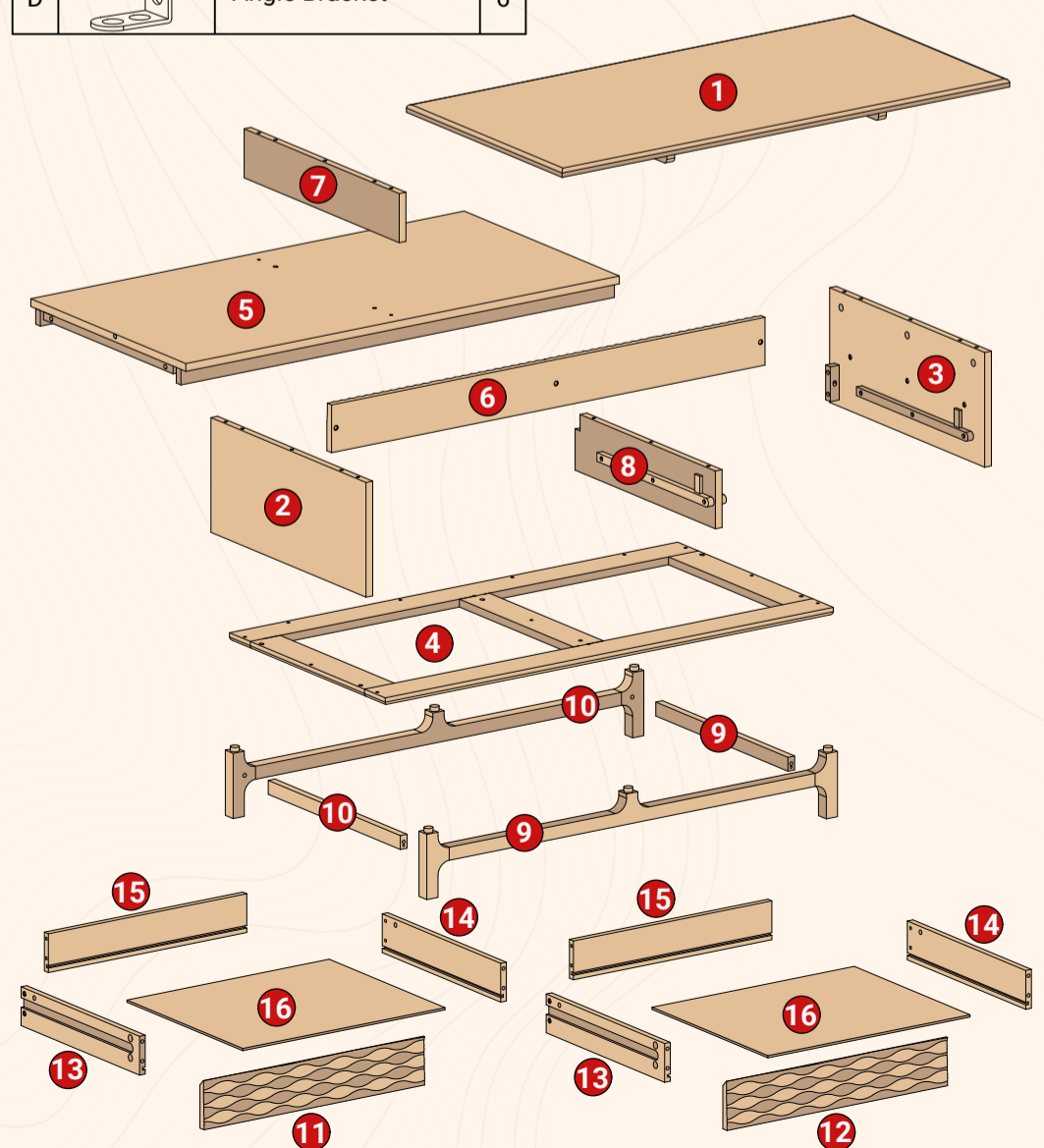
- Read all instructions carefully before assembly and use. Incorrect assembly may cause instability or injury.
- Adult assembly required. Keep small parts, tools, and packaging away from children – risk of choking or suffocation.
- Check and tighten all screws and fittings periodically. Loose parts can lead to instability or collapse.
- Adult assembly required; use only as intended.
- Place on a flat, stable, and level surface to prevent tipping or uneven load distribution.
- Place away from walkways to prevent tripping.
- Do not stand, sit, lean heavily or climb on the tabletop or use it as a ladder or step.
- Periodically check and retighten fittings.
- Avoid placing the table near heat sources (e.g., ovens, radiators, open flames, or direct sunlight) to prevent warping or surface damage.
- Do not exceed the recommended weight capacity. Uneven or excessive load may cause damage or collapse.
- Do not drag the table; lift carefully to move.
- Dispose of packaging materials properly. Plastic bags and foams may pose suffocation hazards.
- If the table becomes unstable, stop using it immediately and recheck all assembly points and surface balance.
- Failure to follow these safety precautions may result in personal injury, property damage, or loss of warranty coverage.

WARRANTY INFORMATION

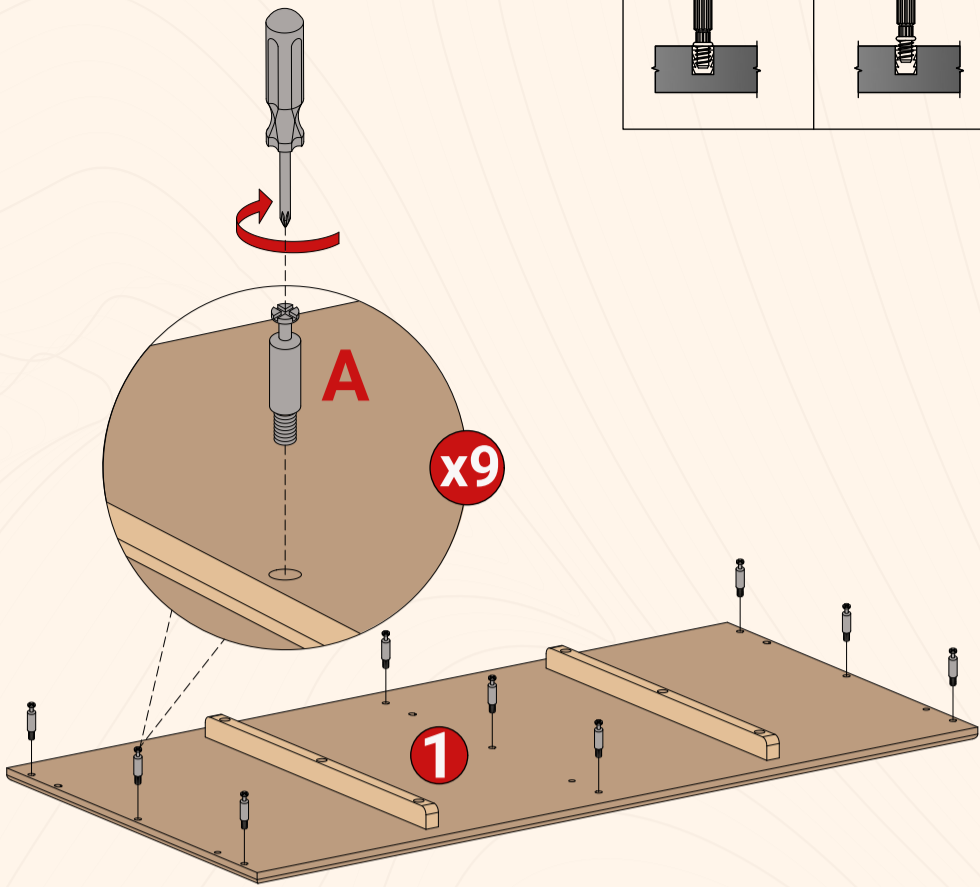
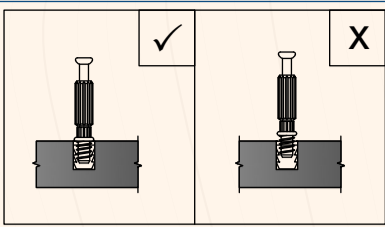
- Valid only for the original purchaser and when purchased from an authorized retailer
- Warranty covers defects in materials or workmanship only
- Excludes damage from misuse, accidents, alterations, improper assembly, or normal wear and tear.
- Proof of purchase required; photos of defects are recommended.
- ACACIA is not liable for indirect, incidental, or consequential damages.

HARDWARE LIST

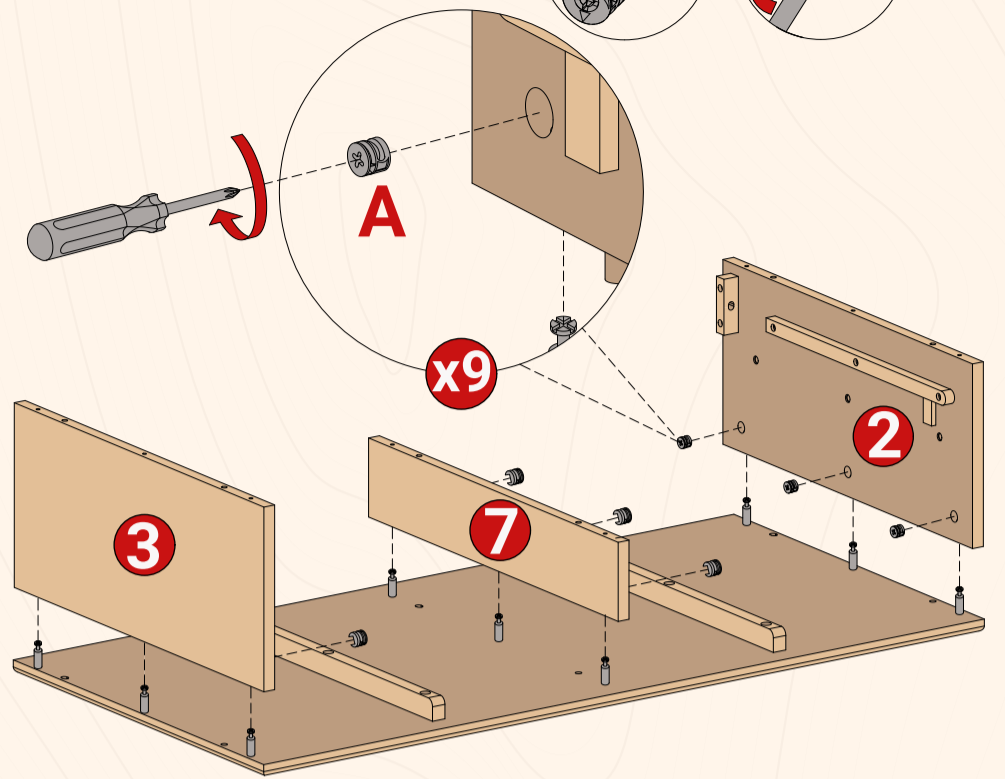
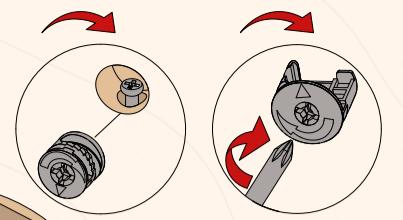
A		Camlock M6x30	24	E		Screw M4x15	12
B		Bolt M6x 30	8	F		Screw M7x40	13
C		Bolt M6x 15	6	G		Allen Key M4	1
D		Angle Bracket	6				



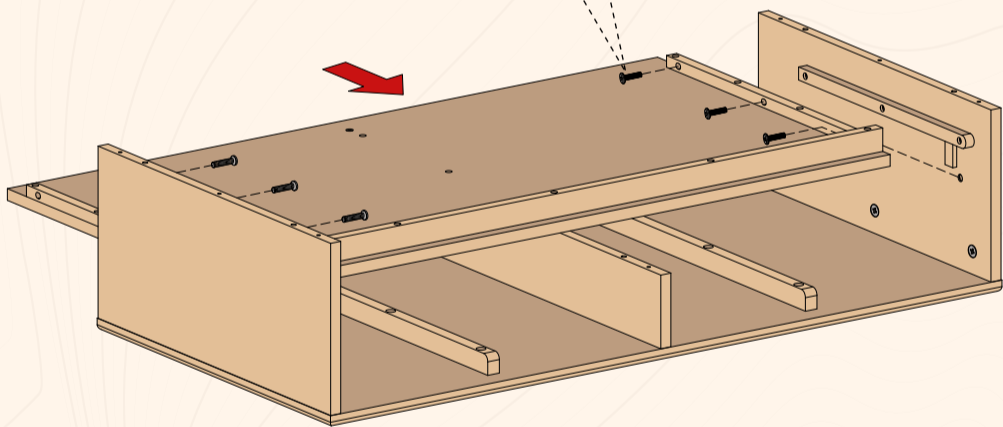
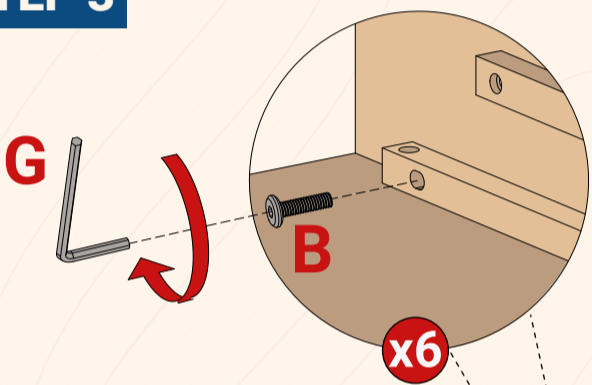
STEP 1



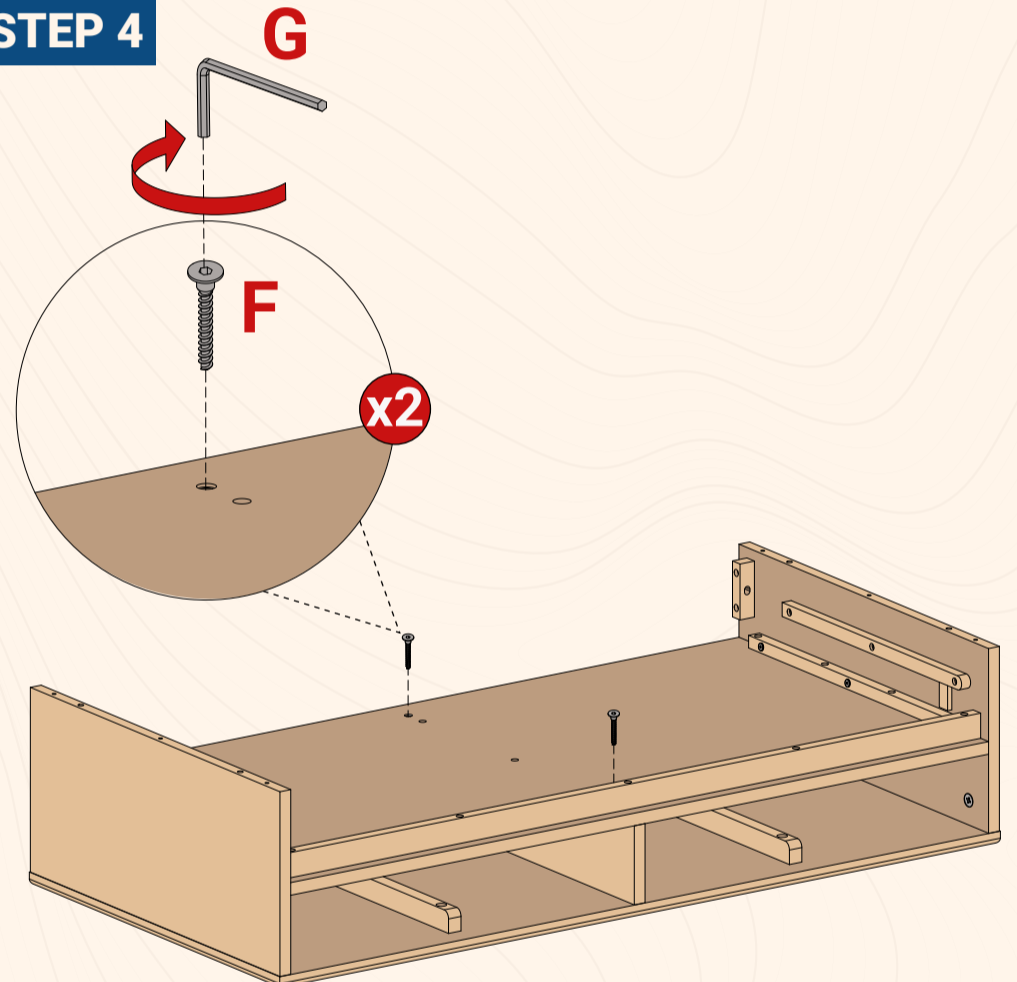
STEP 2



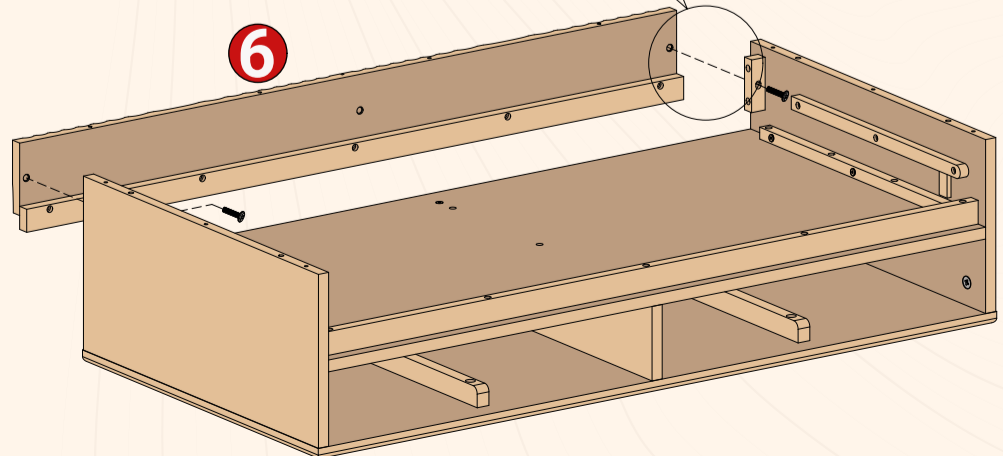
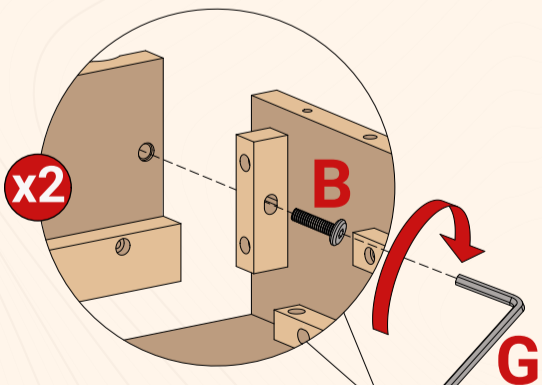
STEP 3



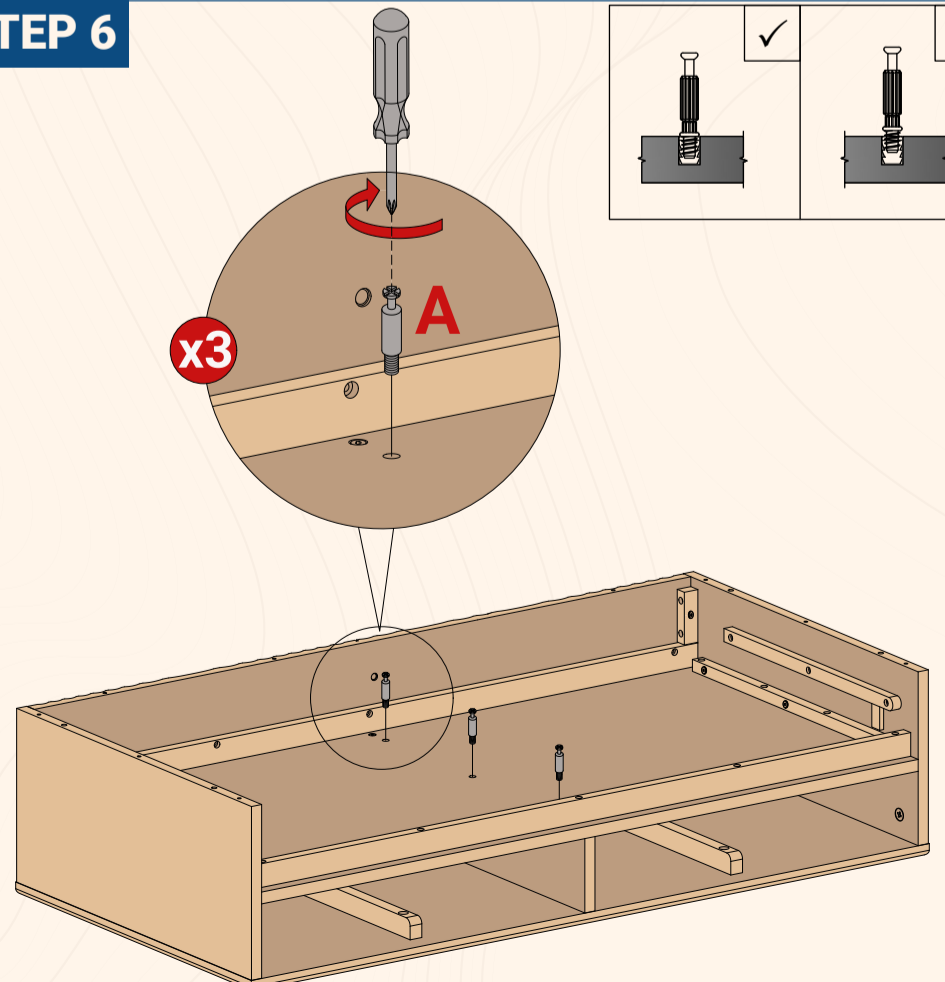
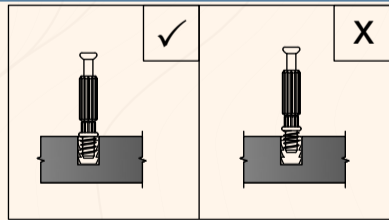
STEP 4



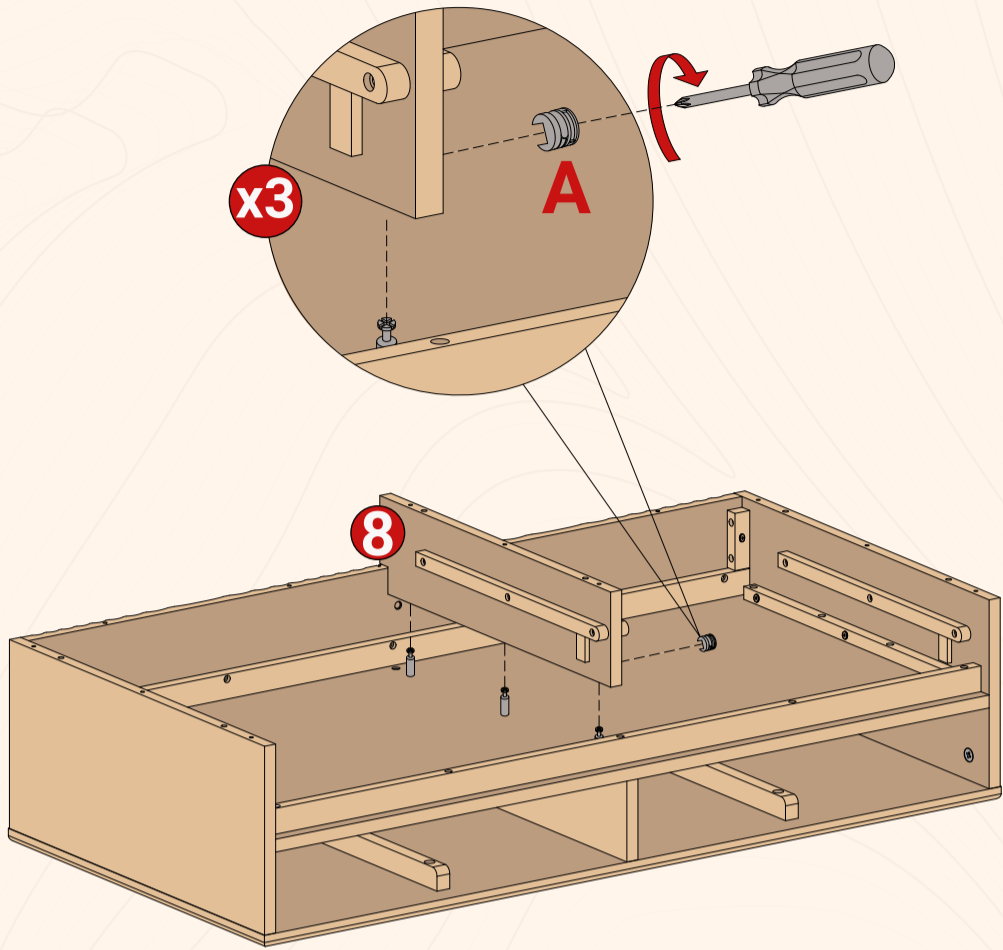
STEP 5



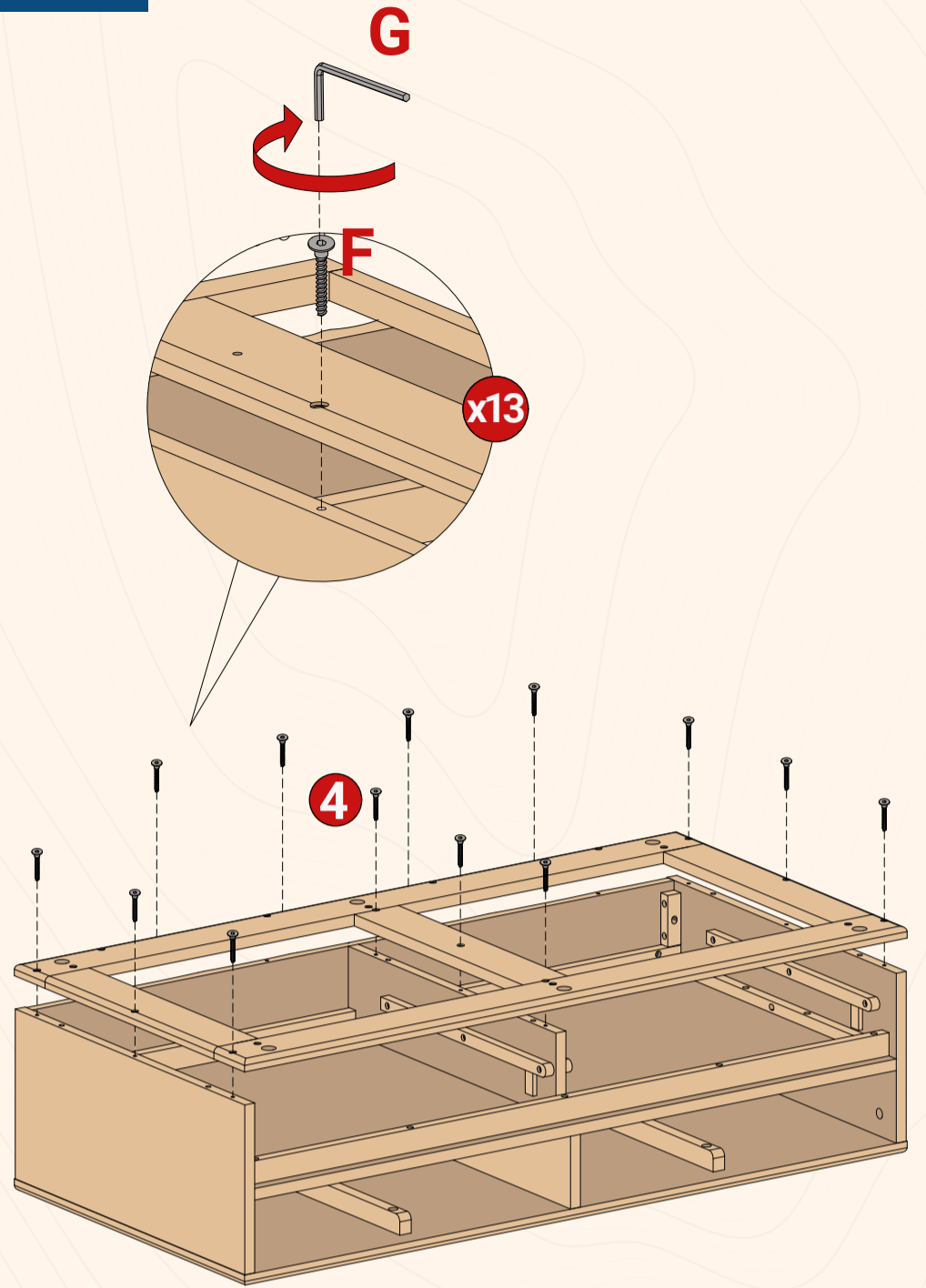
STEP 6



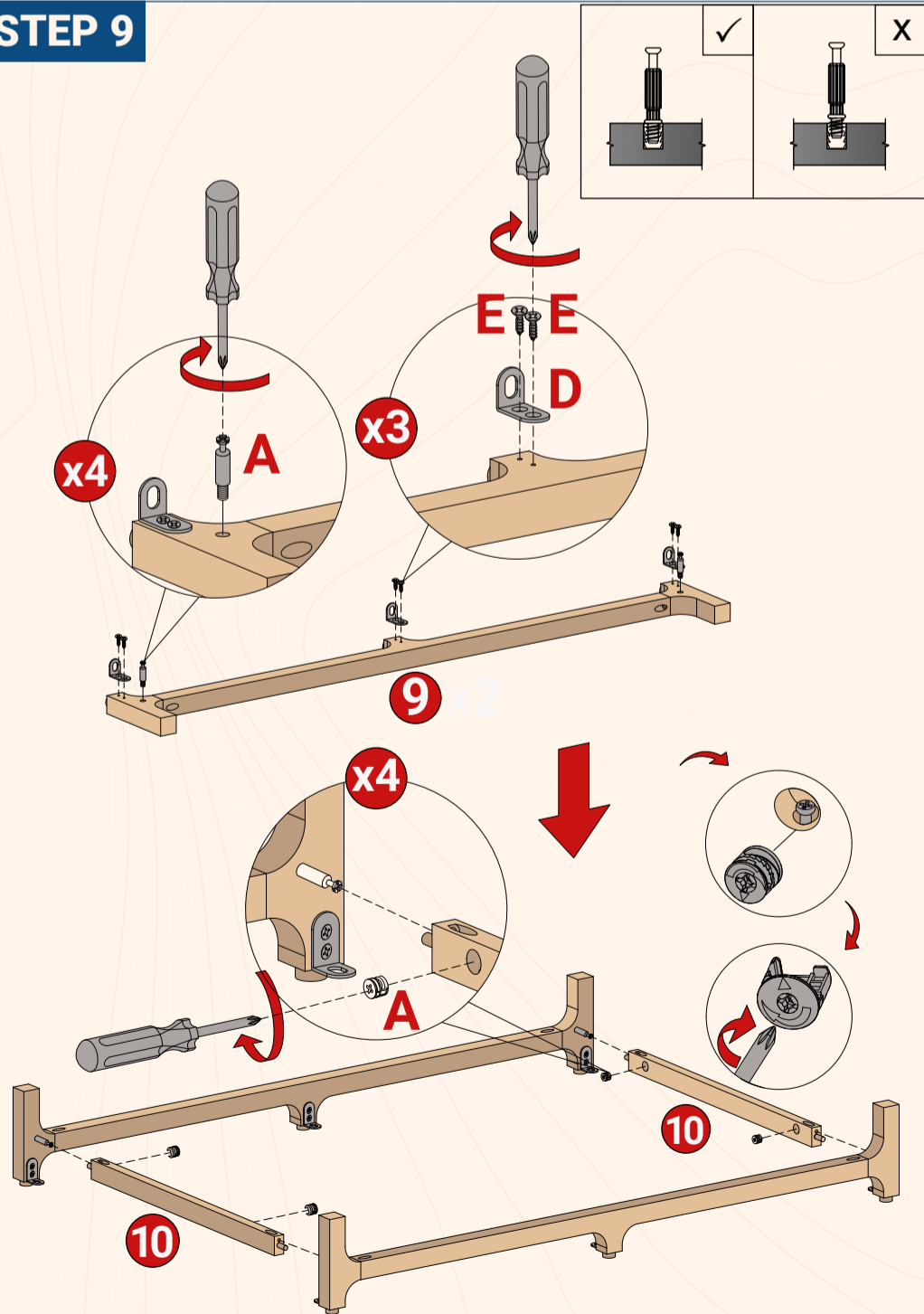
STEP 7



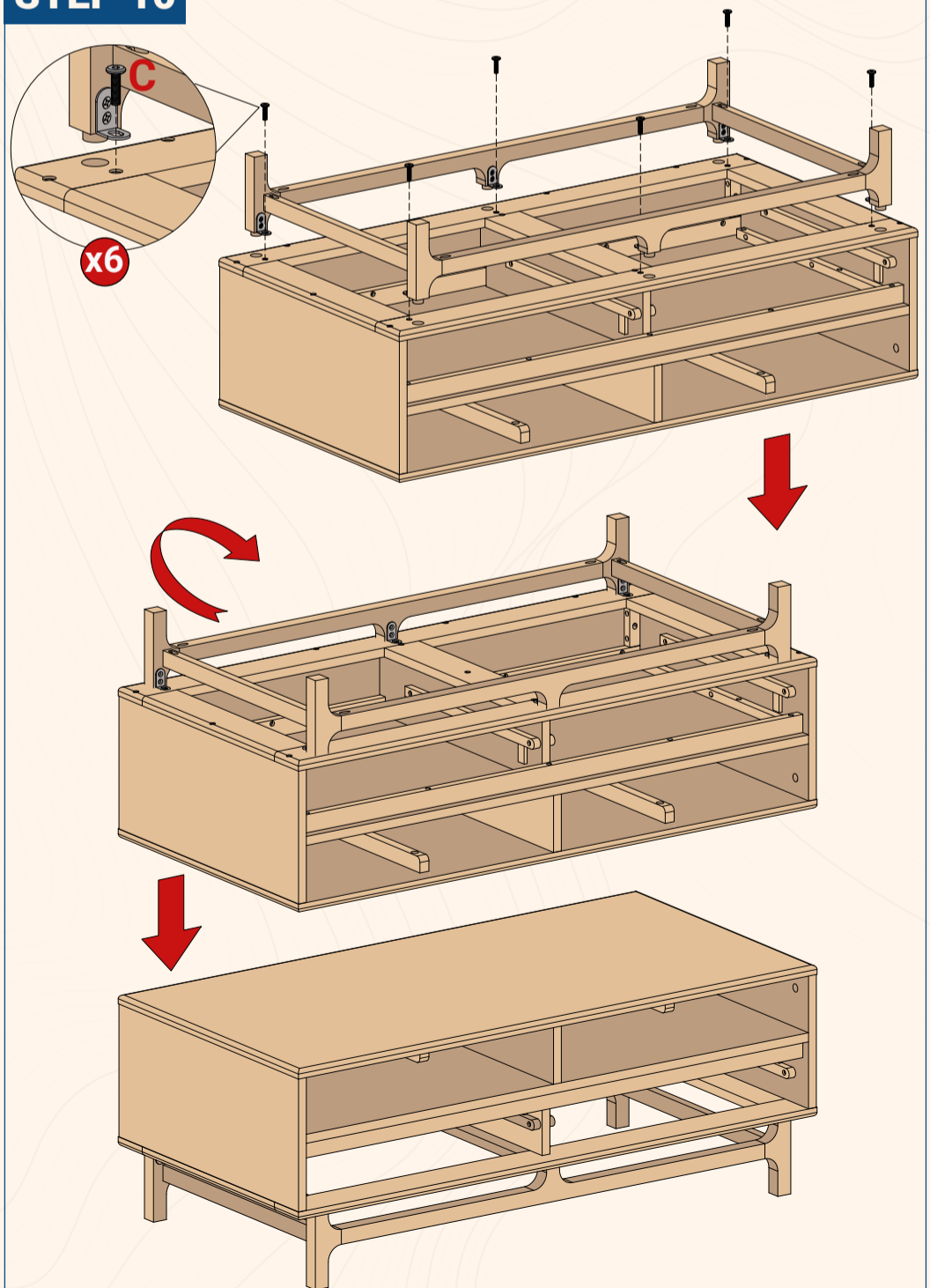
STEP 8



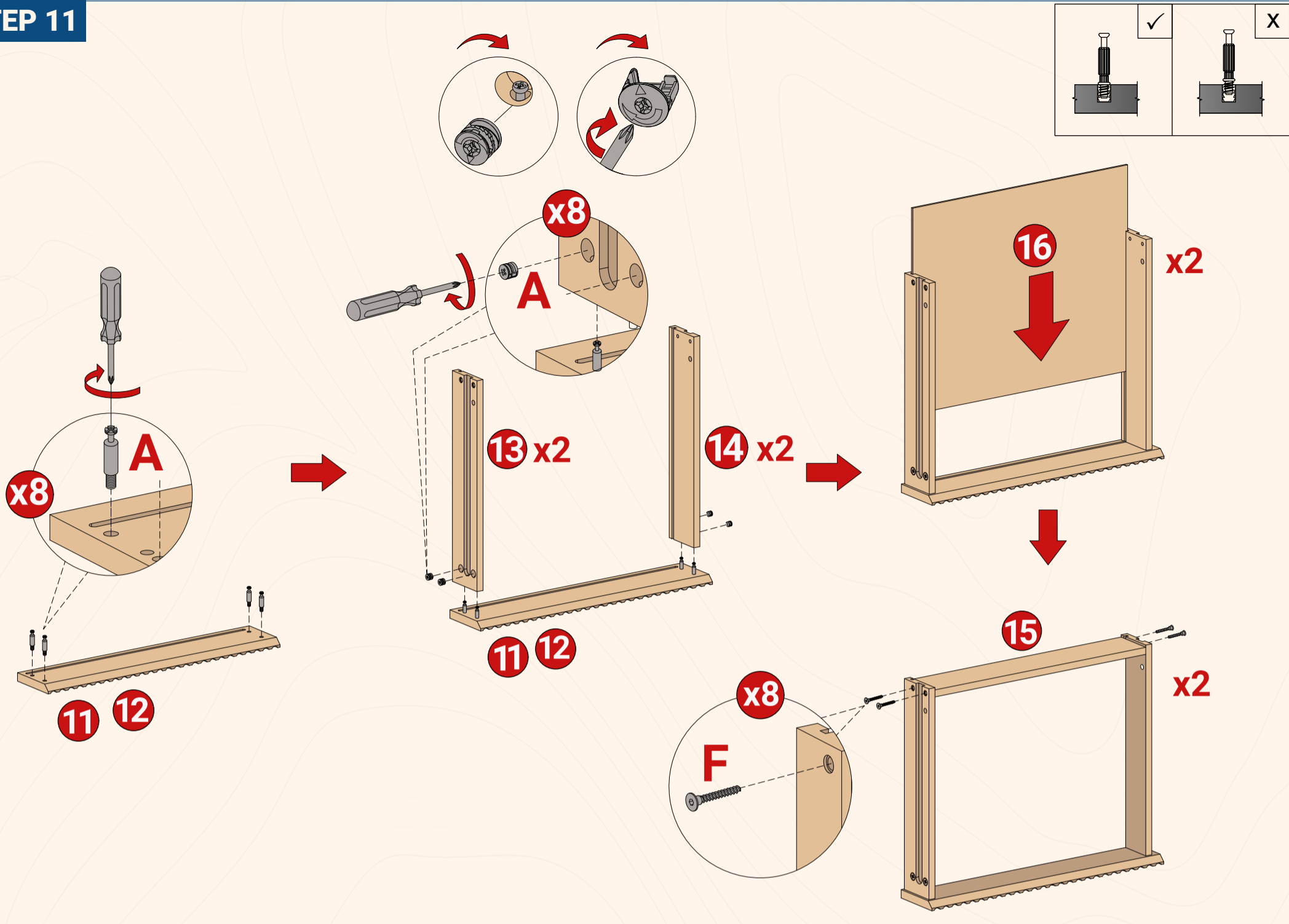
STEP 9



STEP 10



STEP 11



STEP 12

