

ASSEMBLY INSTRUCTIONS



Fine Furniture for every stage of life

Writing Desk

ASSEMBLY INSTRUCTIONS

ASSEMBLY TIPS:

1. Remove hardware from box and sort by size.
2. Please check to see that all hardware and parts are present prior to start of assembly.
3. Please follow attached instructions in the same sequence as numbered to assure fast & easy assembly.



WARNING!

1. Don't attempt to repair or modify parts that are broken or defective. Please contact the store immediately.
2. This product is for home use only and not intended for commercial establishments.



ASSEMBLY TIME

15 MINUTES

PARTS IDENTIFICATION

A	CENTER PANEL		1PC
B	LEFT SIDE PANEL		1PC
C	RIGHT SIDE PANEL		1PC
D	TOP PANEL		1PC
E	LEFT LEG FRAME		1PC
F	RIGHT LEG FRAME		1PC
G	SUPPORT BAR		3PCS
H	CROSSBAR		2PCS
I	BOTTOM RAIL		1PC
J	USB CABLE		1PC
K	ADAPTER		1PC

NOTE:

Phillips head screw driver is required in the assembly process; however, manufacturer does not provide this item.

ASSEMBLY INSTRUCTIONS

ASSEMBLY TIPS:






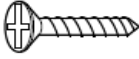
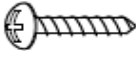

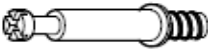


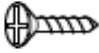

1. Remove hardware from box and sort by size.
2. Please check to see that all hardware and parts are present prior to start of assembly.
3. Please follow attached instructions in the same sequence as numbered to assure fast & easy assembly.



WARNING!

1. Don't attempt to repair or modify parts that are broken or defective. Please contact the store immediately.
2. This product is for home use only and not intended for commercial establishments.

HARDWARE IDENTIFICATION

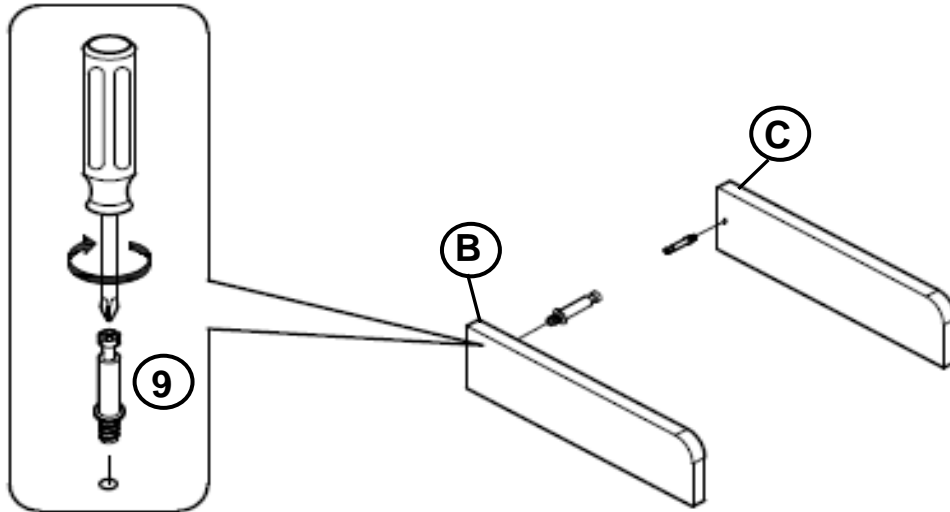
1	BOLT (M6 x 65mm - RBW)		10PCS
2	HEX HEAD SCREW (M7 x 60mm - RBW)		6PCS
3	SHORT BARREL NUT (M6 x 13mm - RBW)		2PCS
4	LONG BARREL NUT (55mm - RBW)		4PCS
5	WOOD DOWEL (M8 x 30mm-WOOD)		10PCS
6	LONG FLAT HEAD SCREW (M4 x 38mm - RBW)		14PCS
7	PAN HEAD SCREW (#8 x 1 1/4" - BLK)		8PCS
8	CAM NUT (9mm - RBW)		2PCS
9	CAM BOLT (24mm - RBW)		2PCS
10	WOOD PLUG (14.5ø)		10PCS
11	ALLEN WRENCH (100mm - BLK)		1PC
12	SHORT FLAT HEAD SCREW (M4 x 25mm - BLK)		2PCS
13	MINI FIX CAP (L) - BLK)		2PCS

NOTE:

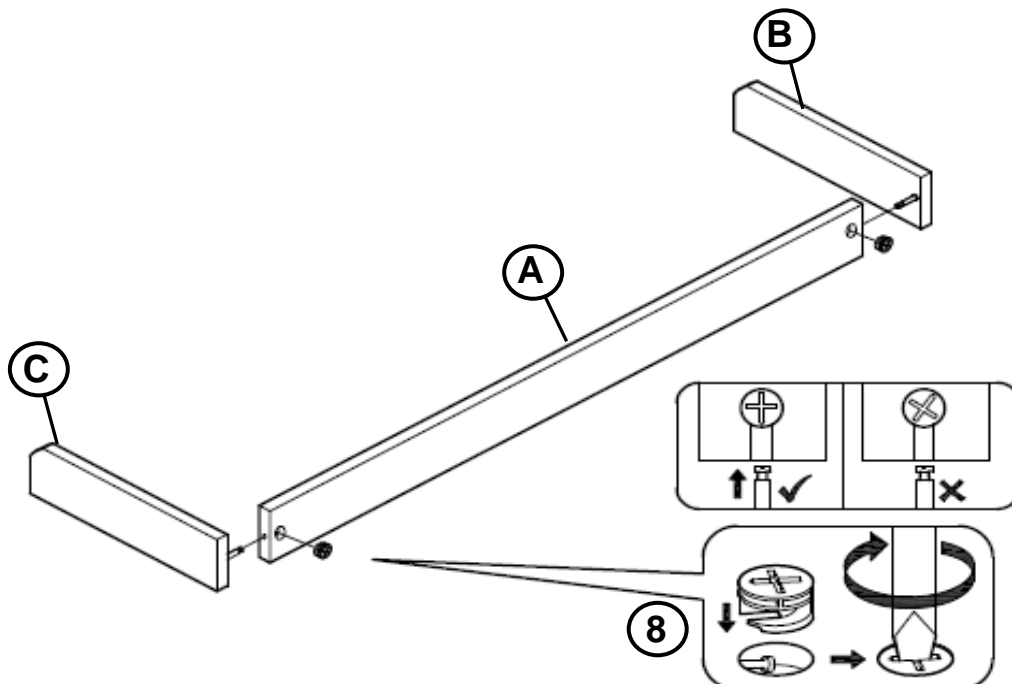
Phillips head screw driver is required in the assembly process; however, manufacturer does not provide this item.

ASSEMBLY INSTRUCTIONS

STEP 1

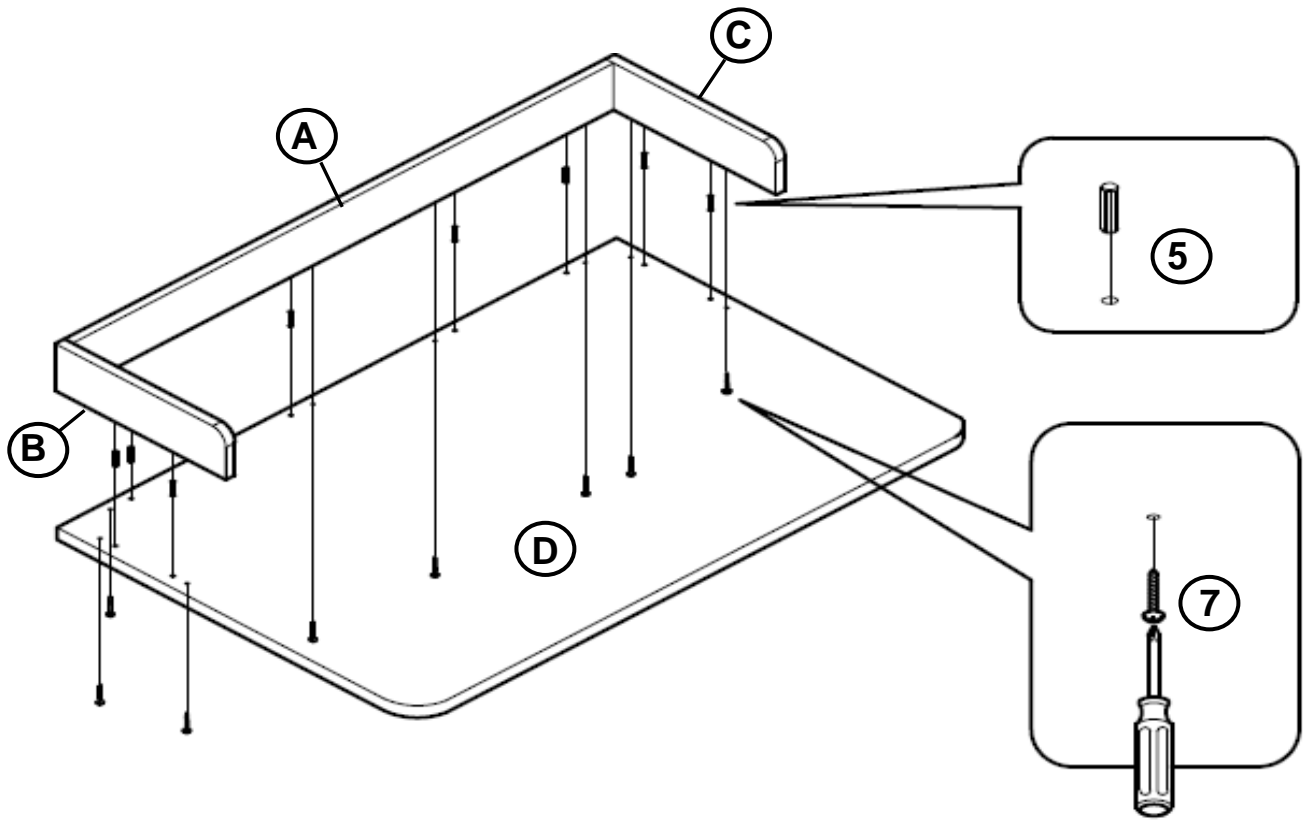


STEP 2

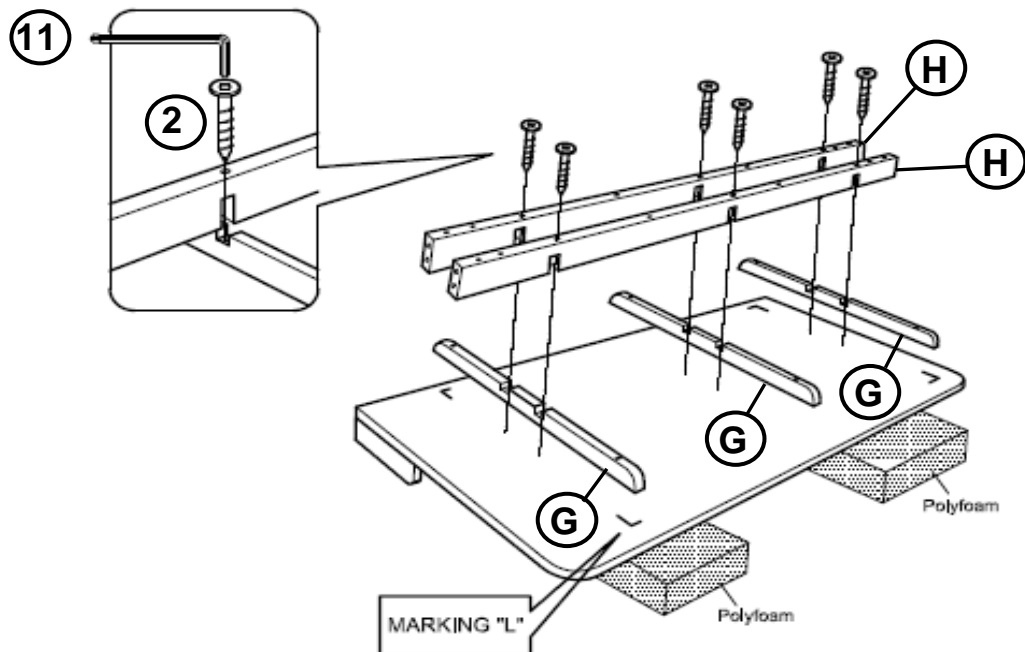


ASSEMBLY INSTRUCTIONS

STEP 3

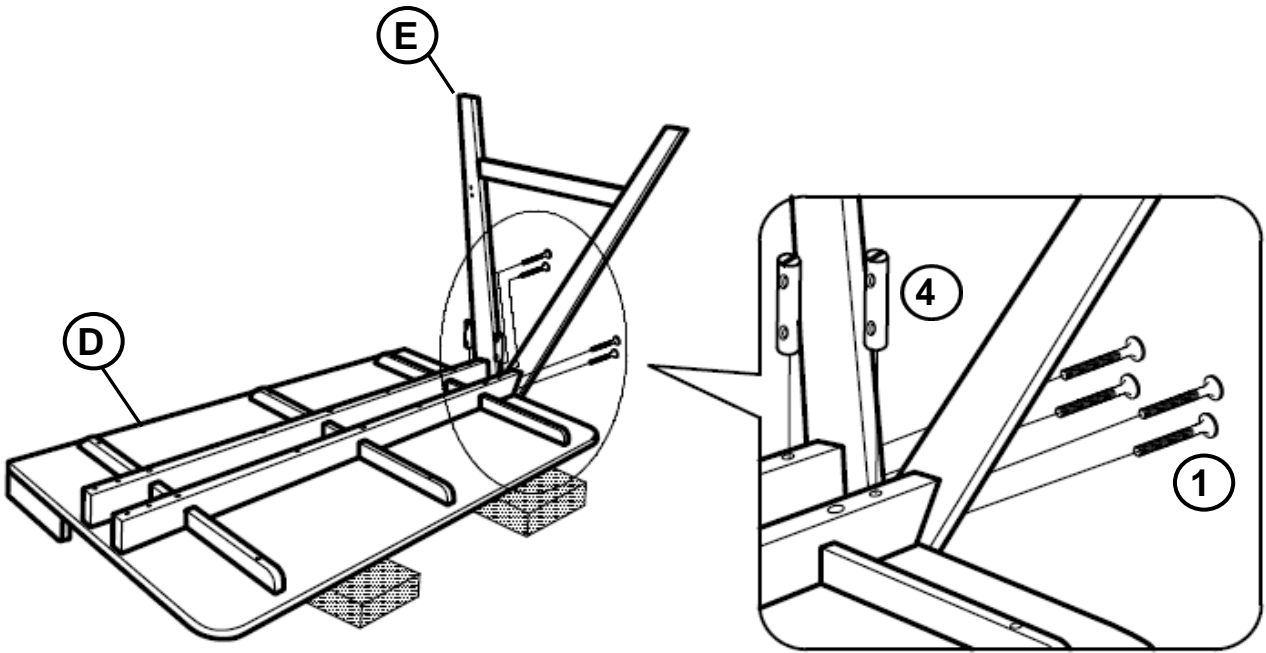


STEP 4

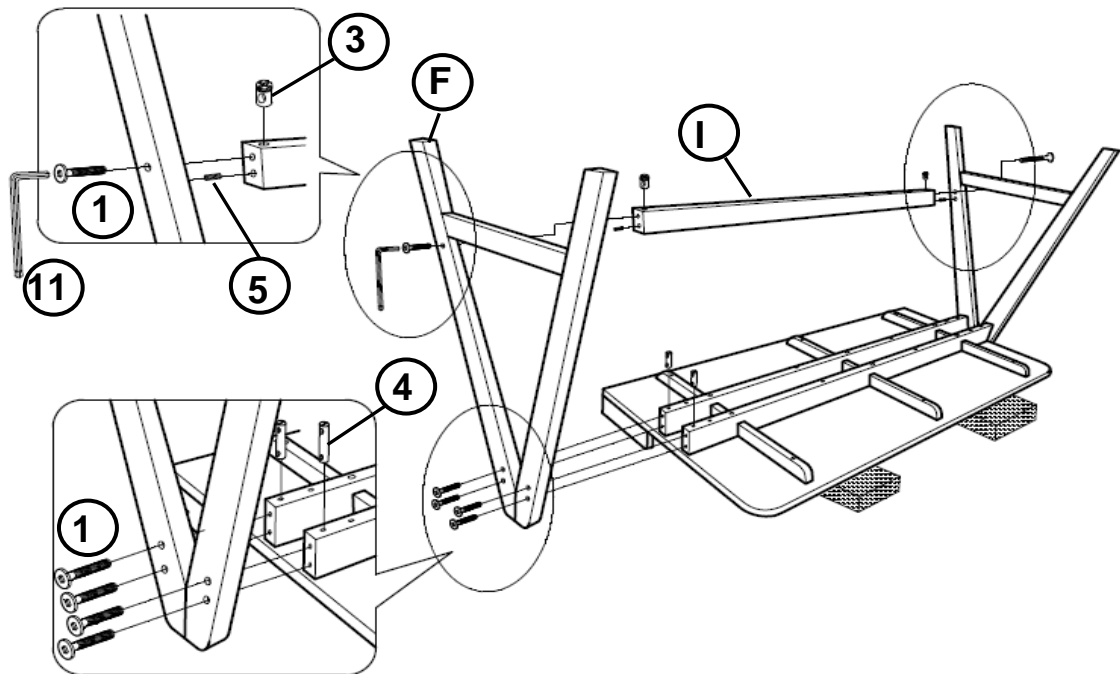


ASSEMBLY INSTRUCTIONS

STEP 5

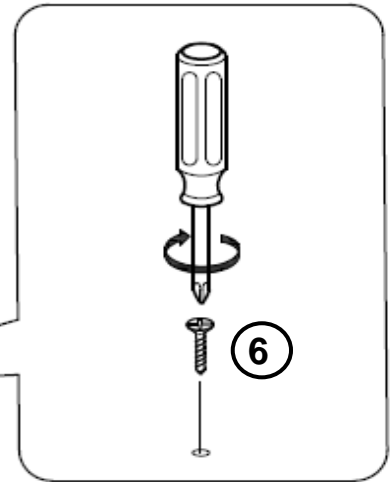
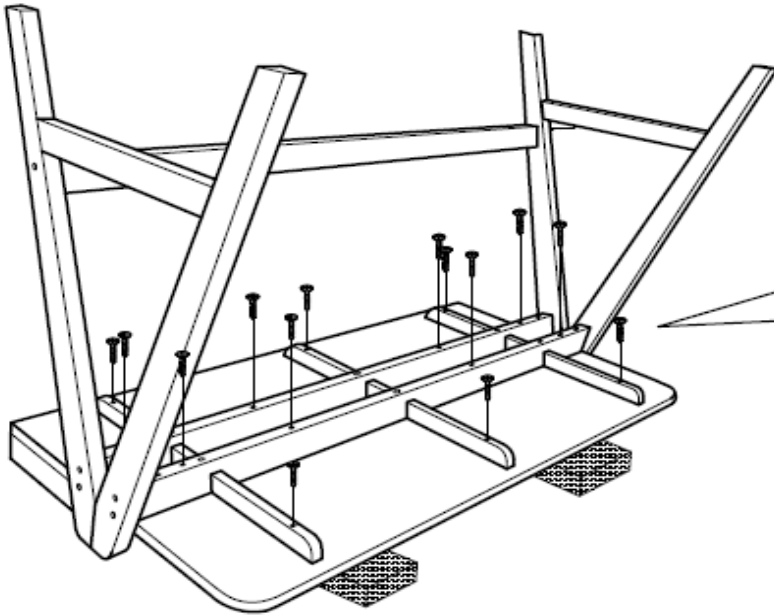


STEP 6

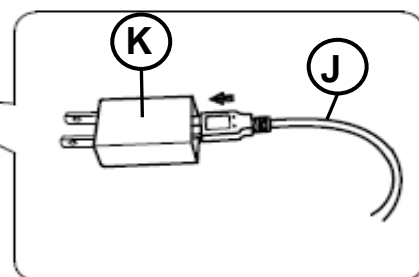
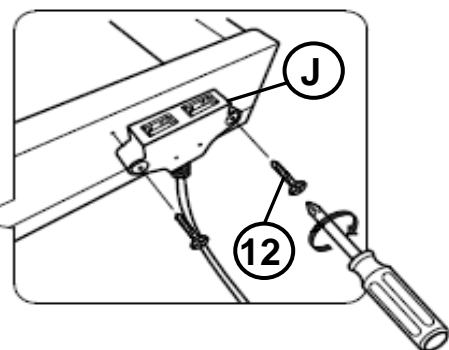
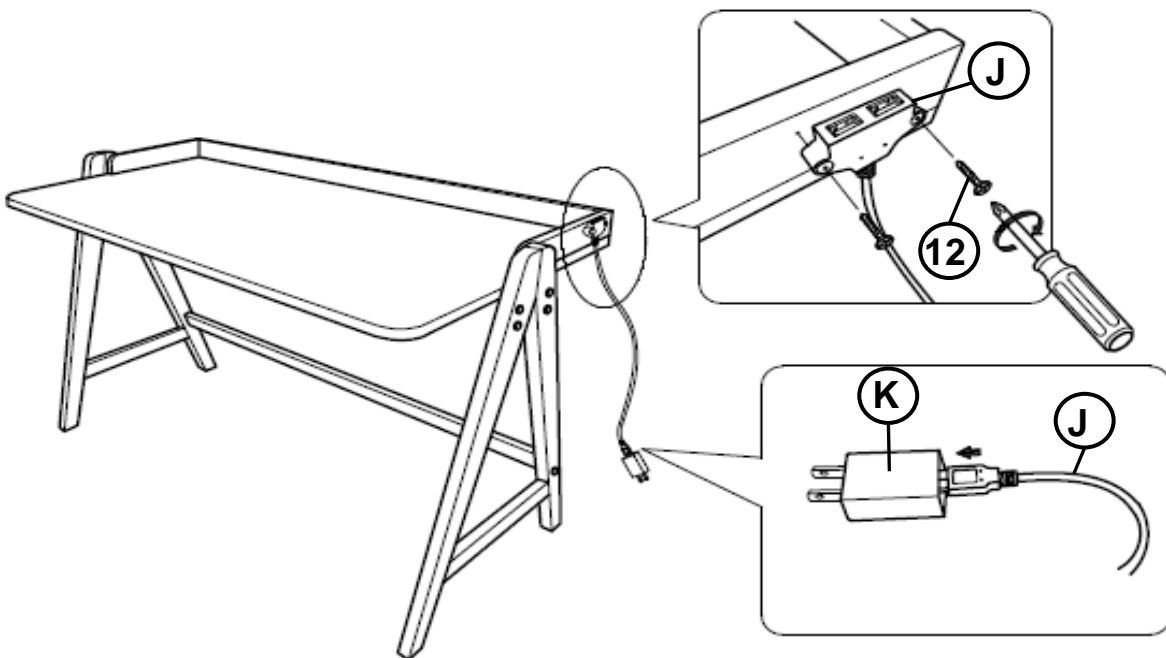


ASSEMBLY INSTRUCTIONS

STEP 7

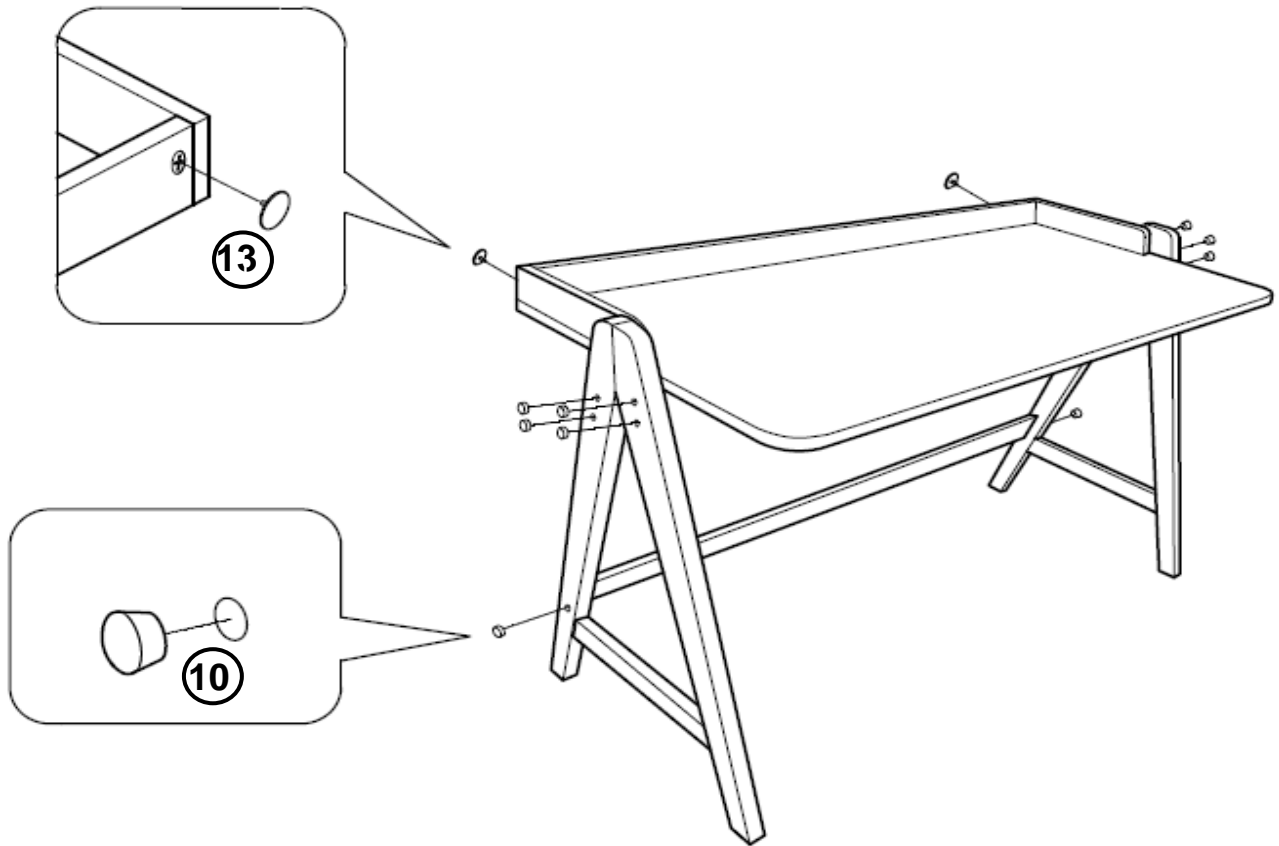


STEP 8



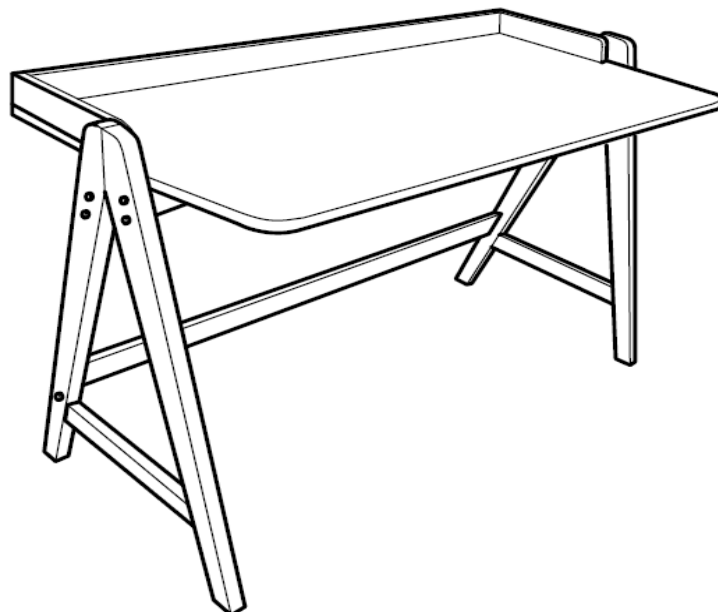
ASSEMBLY INSTRUCTIONS

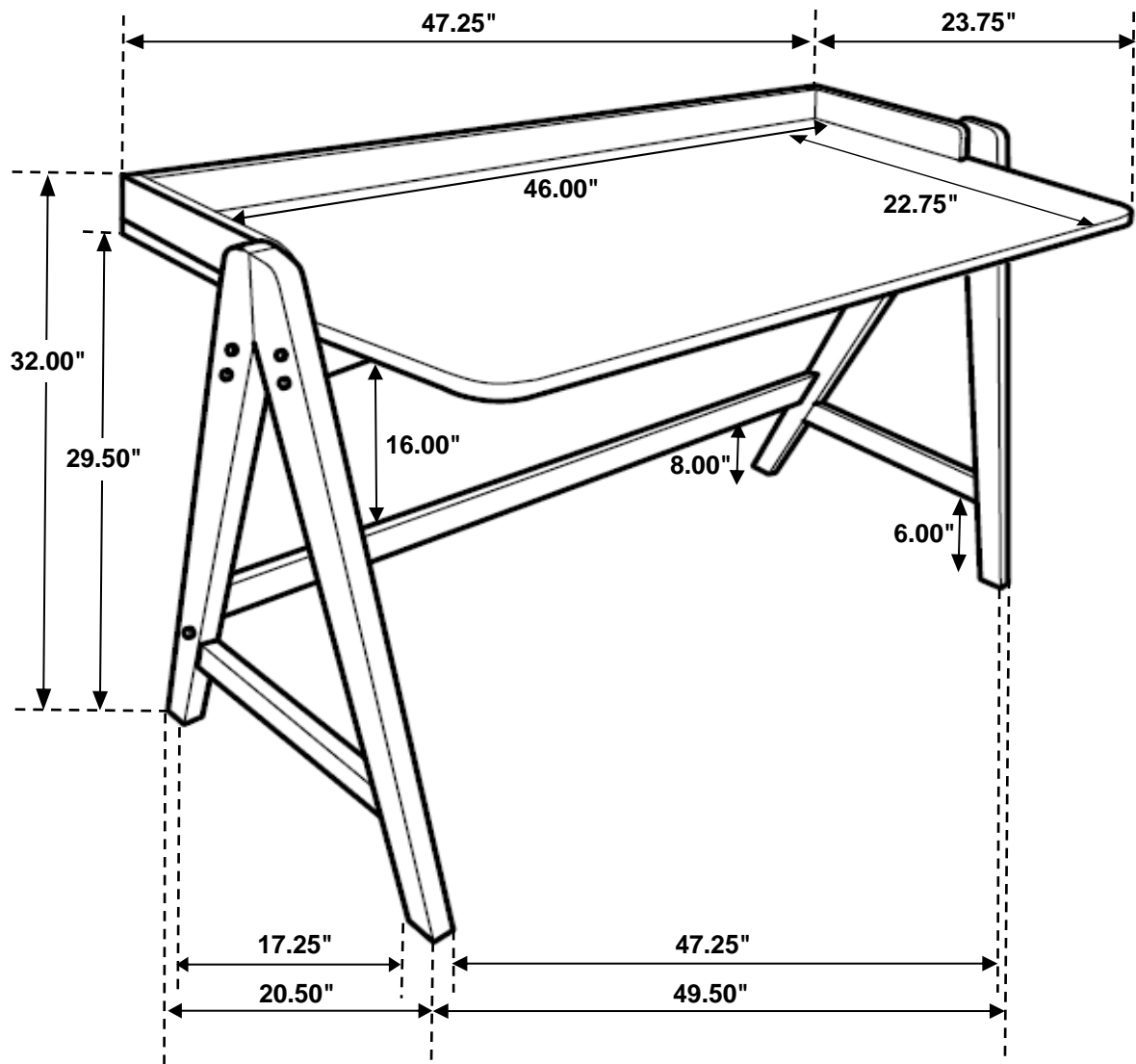
STEP 9



STEP 10

COMPLETE





Note : Dimension tolerance $\pm 5\%$