











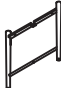




**IMPORTANT!! PLEASE READ ENTIRE INSTRUCTION SHEET BEFORE ASSEMBLY!!**

**Aruba 3PCS Chat Wicker Set**

Identify all parts packed in the carton against the parts list. Remove all protective materials. Place parts on a non-abrasive surface. If you are missing any parts or Are unsure how to proceed with assembly, please call customer service center Immediately at 844-836-4055 (Monday-Friday, 9: 00 am-5:00pm CST) or e-mail: support@donglinusa.net

Do not attempt to assemble the product if any parts are missing or damaged .

**PART LIST**

		PART LIST					
A	Chair Seat Frame		2	AA	M6x30mm Bolt		9
B	Chair Base		2	BB	M6x15mm Bolt		1
C	Seat Cushion		2	CC	M6x20mm Bolt		4
D	Table Leg 1		1	DD	Washer		14
E	Table Leg 2		1	EE	Plastic bolt cap		14
F	Table Rim		1	FF	Allen Wrench		2
G	Ceramic Tile		1				

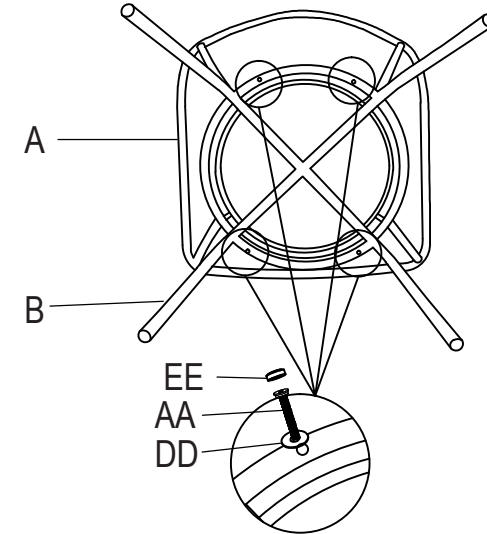
**CHAIR**

**Step 1**

Place chair seat frame (A) on a flat, soft surface.

Attach chair base (B) to chair seat frame (A) by using bolts (AA) with metal washers (DD) through each hole of the chair base into the chair seat frame (A).

Ensure all bolts are aligned and assembled correctly. Tighten all M6 bolts (AA) with the allen wrench (FF). Attach the plastic caps (EE).

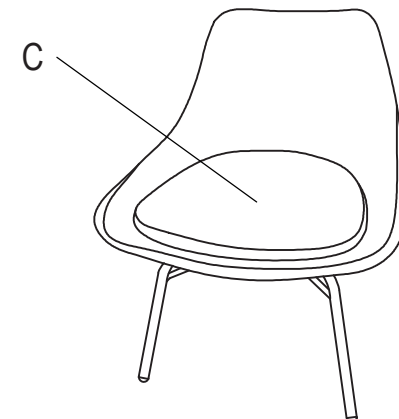


**Step 2**

Place the seat cushion (C) onto the chair.

Repeat these instructions to another chair.

The chairs are ready for your enjoyment.

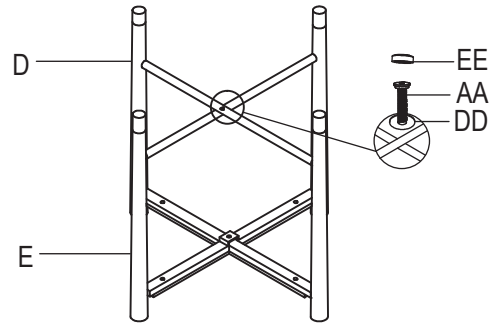


# TABLE

## Step 1

Place the table leg 1(D) and table leg 2(E) on a flat, soft surface. Cross table leg 1(D) and table leg 2(E). Attach the lower bars of table legs together by using bolts (AA) with metal washers (DD).

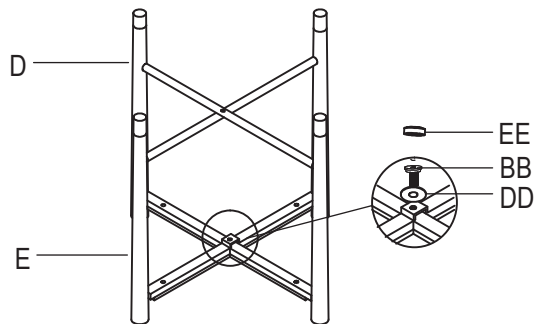
**Note: Do not fully tighten the bolts.**



## Step 2

Attach the upper bars of table legs together by using bolts (BB) with metal washers (DD).

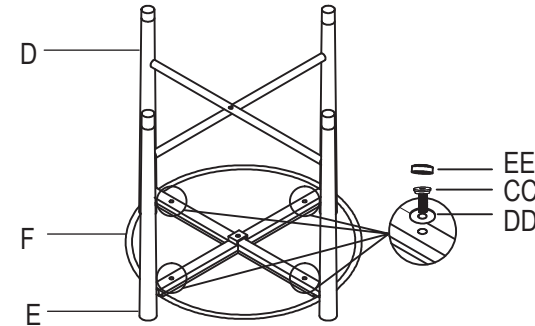
**Note: Do not fully tighten the bolts.**



## Step 3

Attach the table legs (D&E) to table rim (F) by using bolts (CC) with metal washers (DD) through each hole of the table legs into the table rim (F).

Ensure all bolts are aligned and assembled correctly. Tighten all bolts with the allen wrench (FF). Attach the plastic caps (EE).



## Step 4

Carefully turn the table over and set it down on its legs. Place the ceramic tile top (G) onto the table.

The side table is ready for your enjoyment.

