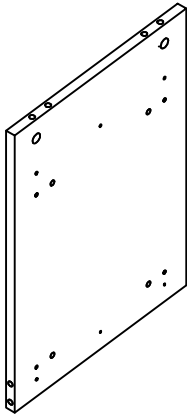
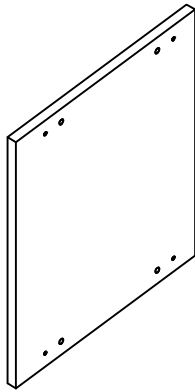


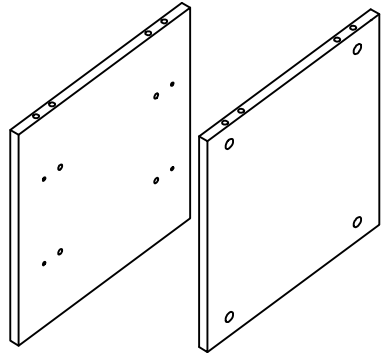
Installation & Assembly



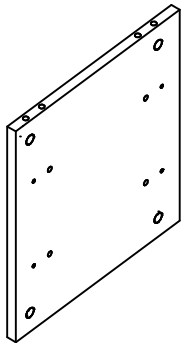
Ax2



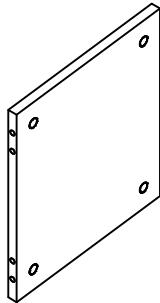
Bx1



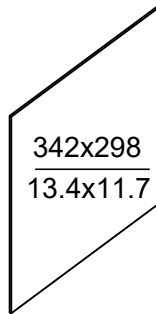
Cx1



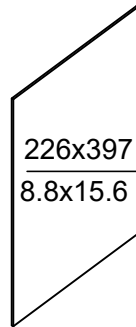
Dx1



Ex2



Fx1



Gx2



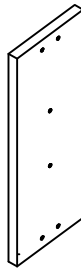
Hx1



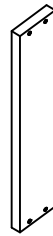
Ix2



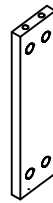
Jx1



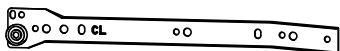
Kx1



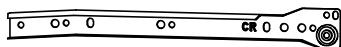
Lx1



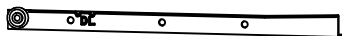
Mx2



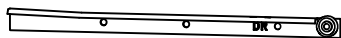
CLx1



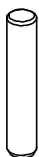
CRx1



DLx1



DRx1



Lx24



Mx32



Nx6



Ox42



Px8



Qx32

M3.5x $\frac{25}{1.0}$

M3.5x $\frac{12}{0.5}$



Rx4



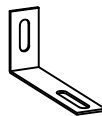
Sx1



Tx2



Ux1



Vx1



Wx2

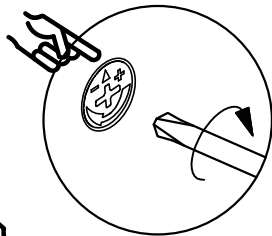
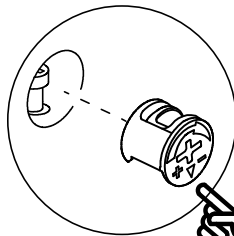
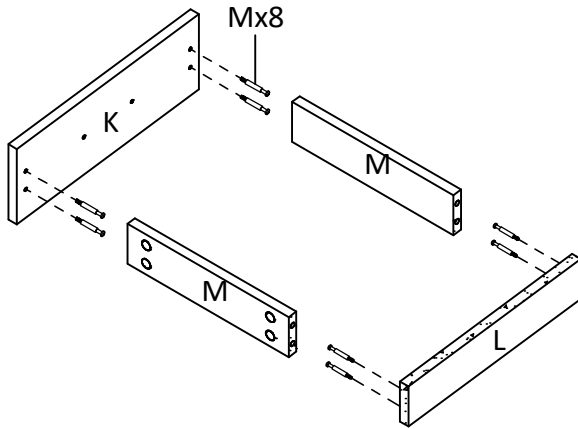
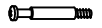
M6x $\frac{12}{0.5}$



mm
inch

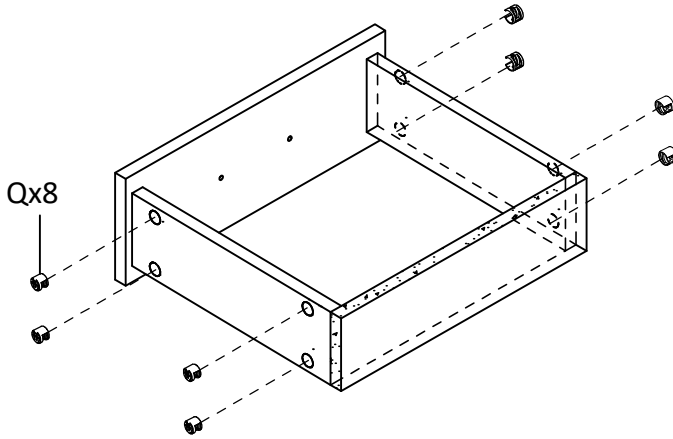
1

Mx8



②

Qx8

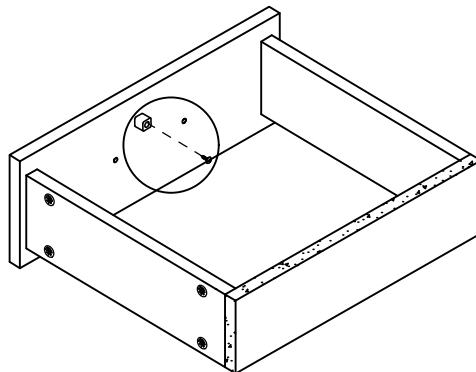
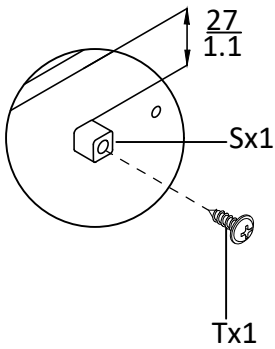


③

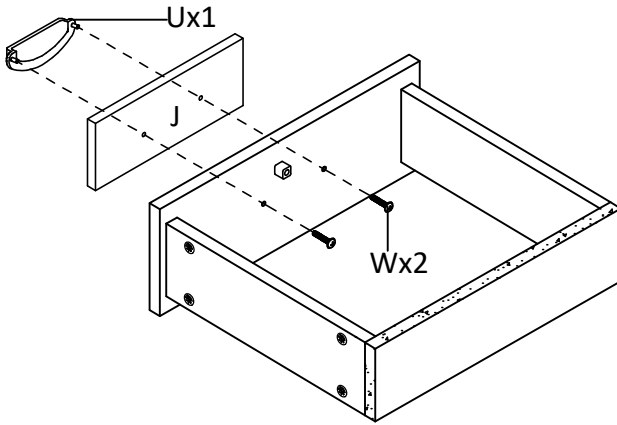
Sx1



Tx1



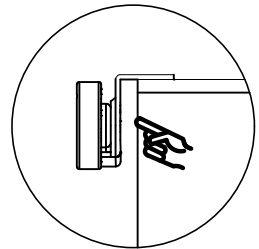
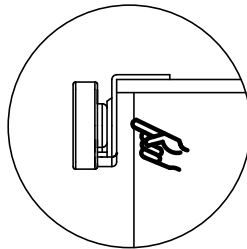
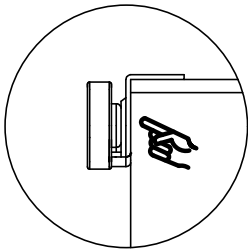
4



Ux1

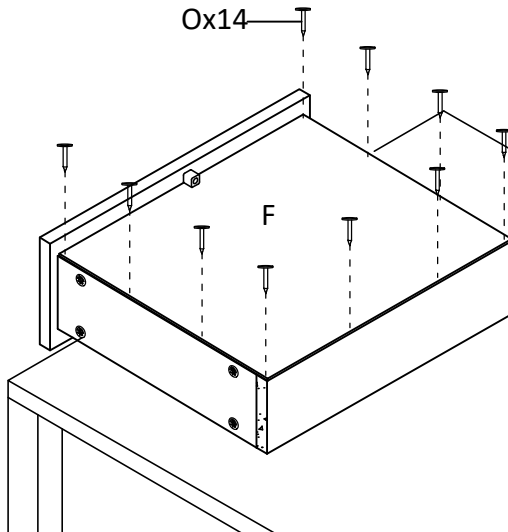


Wx2



5

Ox14

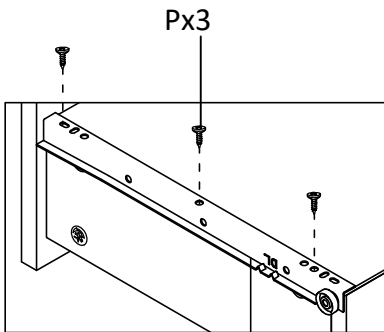
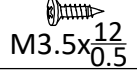


6

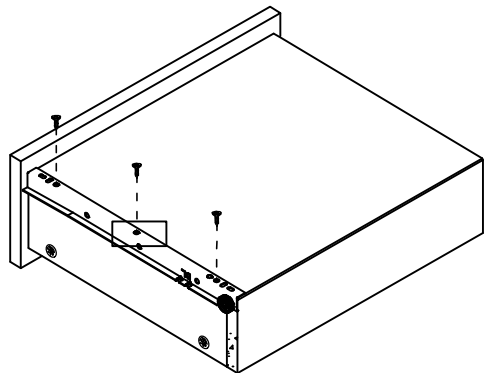
DLx2



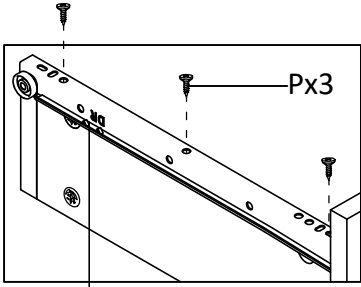
Px3



DLx1



7



DRx1

Px3

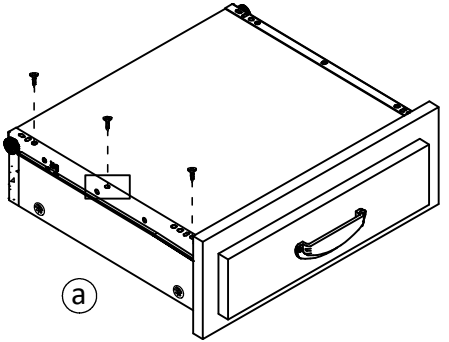
DRx2



Px6

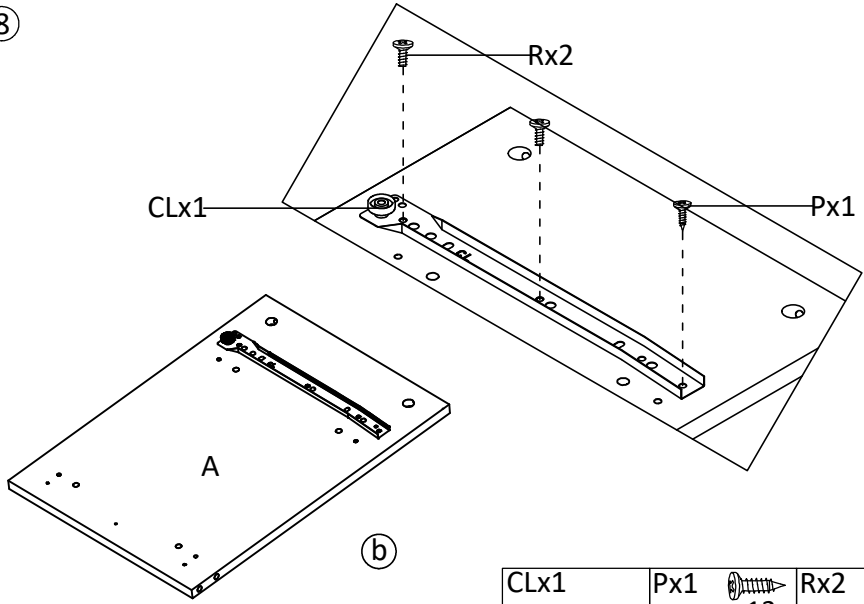


M3.5x $\frac{12}{0.5}$



a

8



CLx1

b

A

CLx1



Px1



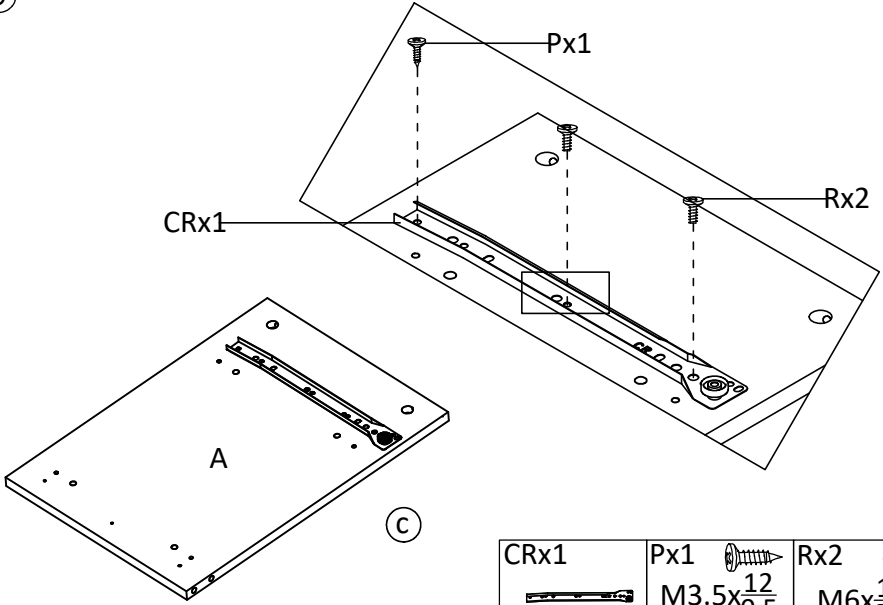
M3.5x $\frac{12}{0.5}$

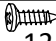


Rx2



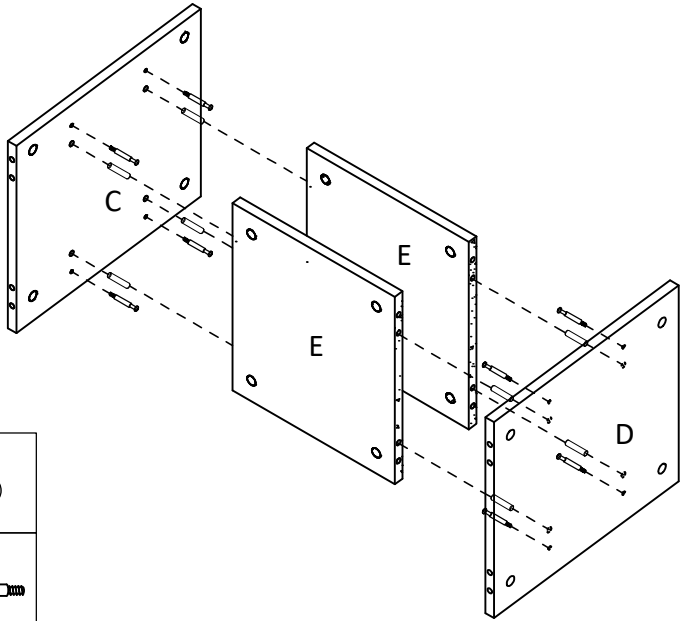
M6x $\frac{12}{0.5}$

9



CRx1	Px1		Rx2	
	M3.5x $\frac{12}{0.5}$		M6x $\frac{12}{0.5}$	

10



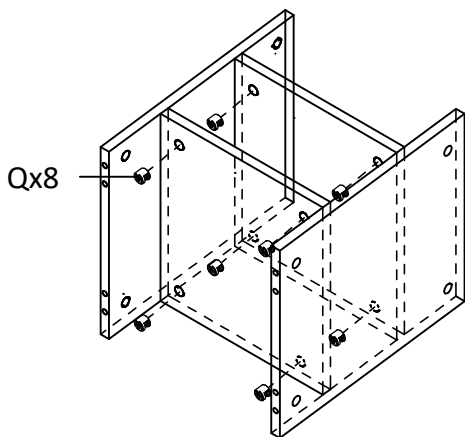
Lx8



Mx8



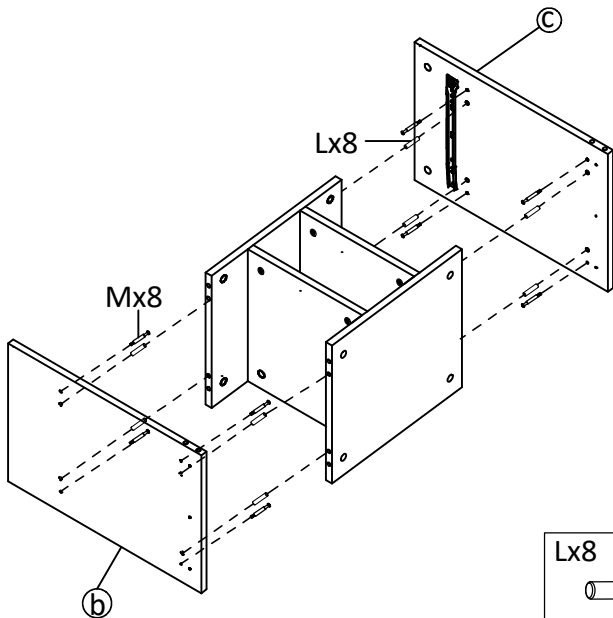
11



Qx8



12



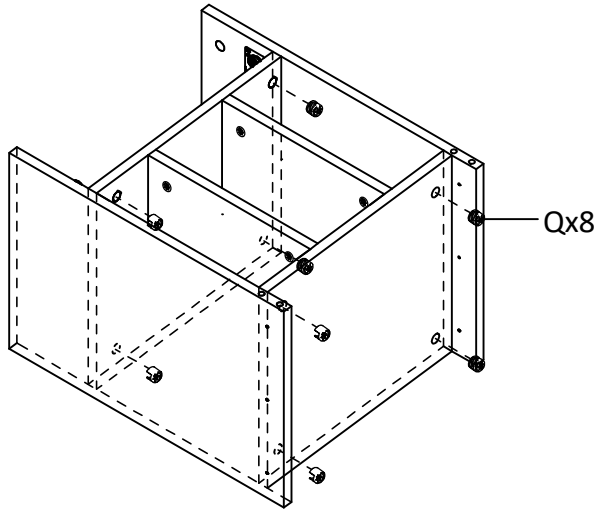
Lx8



Mx8



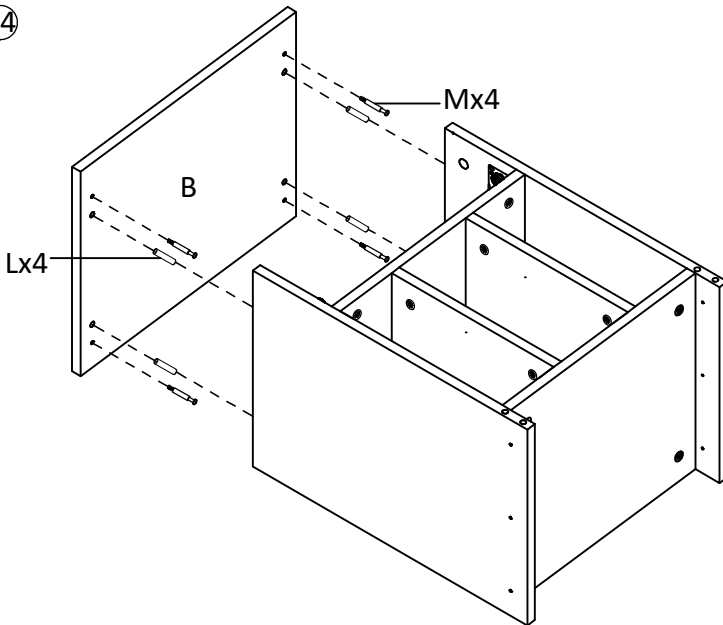
13



Qx8



14



Lx4

B

Mx4

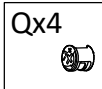
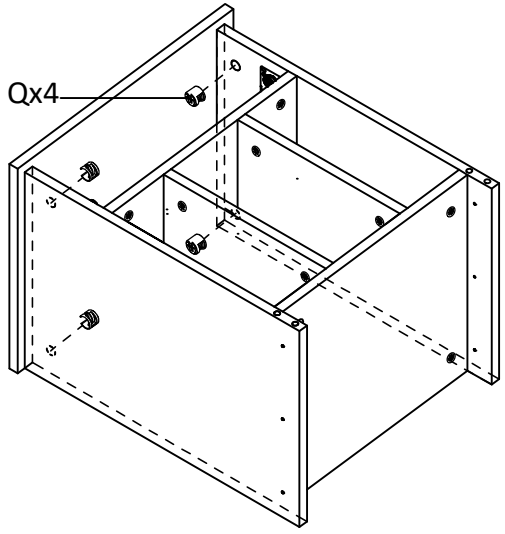
Lx4



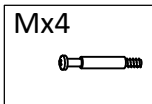
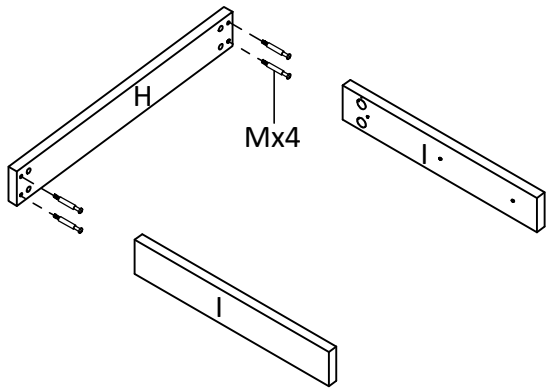
Mx4



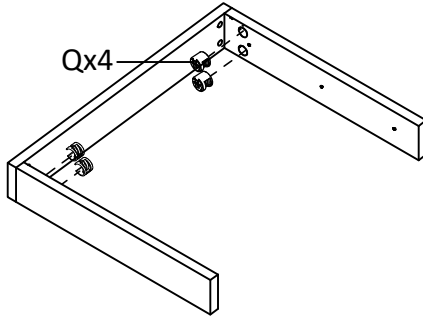
15



16



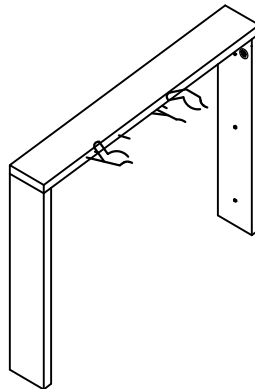
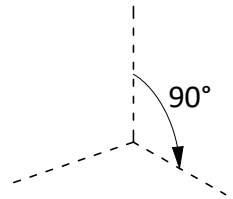
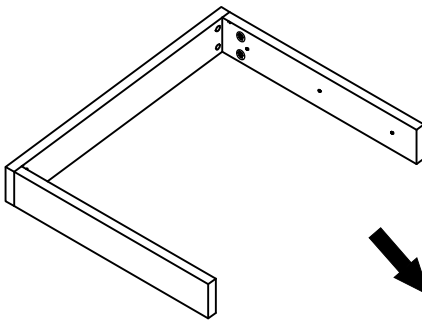
17



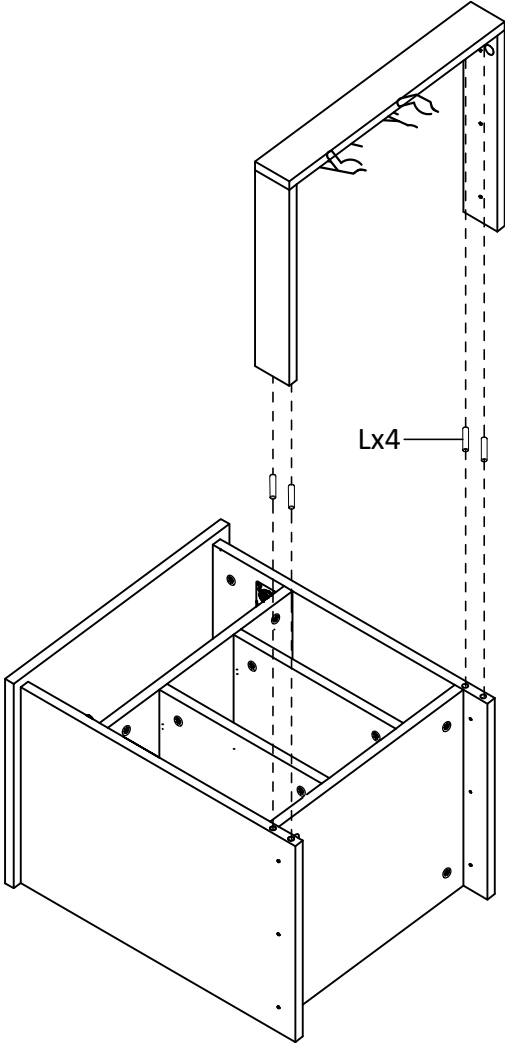
Qx4



18



19

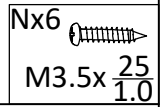
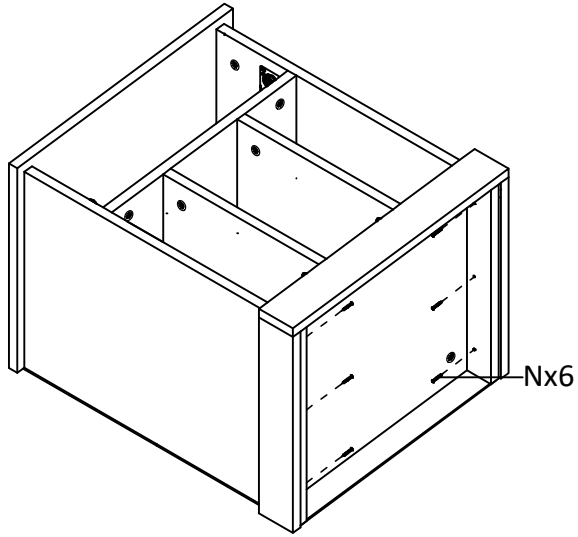


Lx4

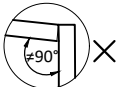
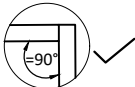
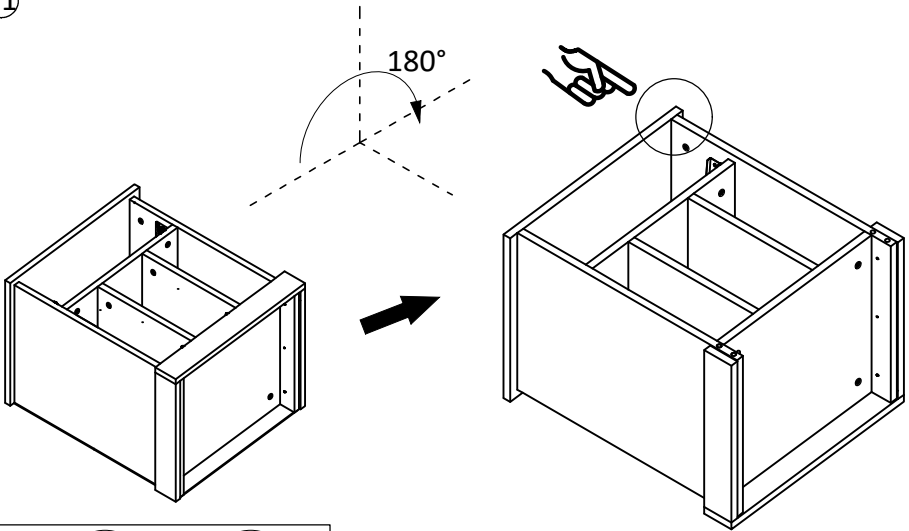
Lx4



20

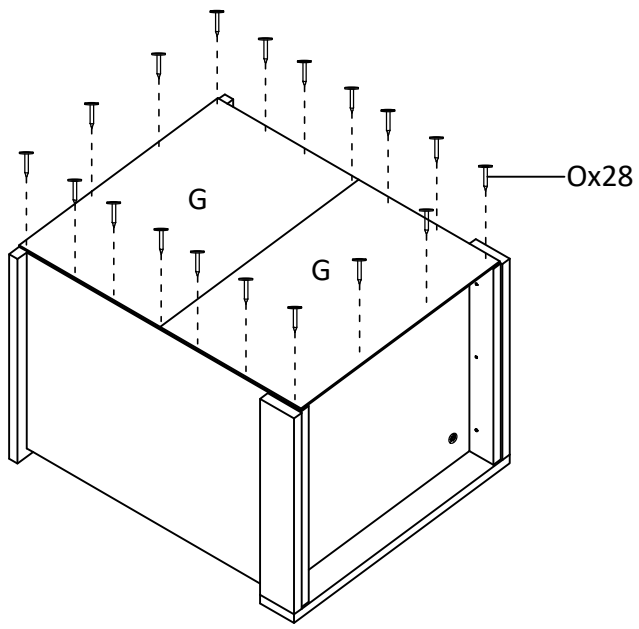


21

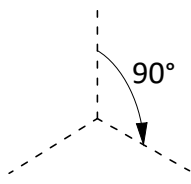
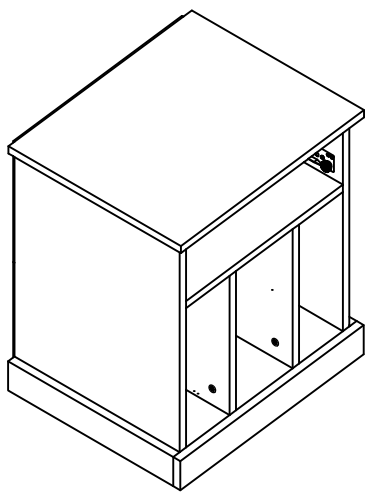
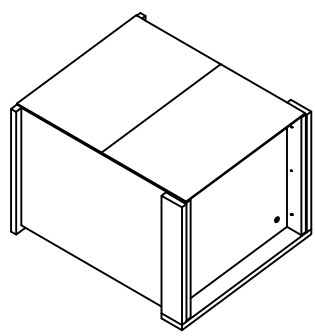


22

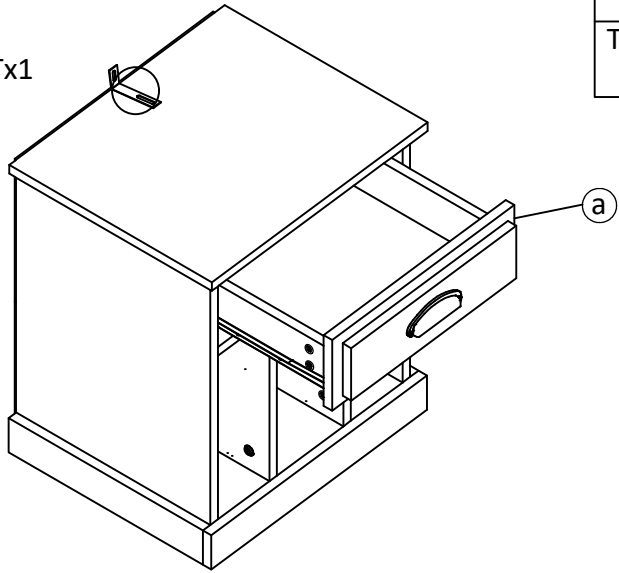
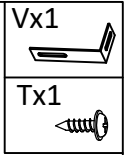
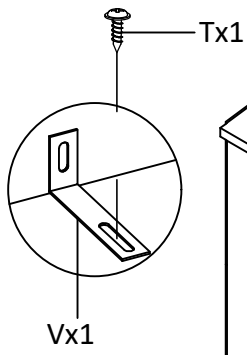
Ox28



23



24



25

