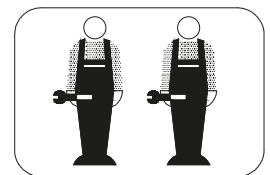
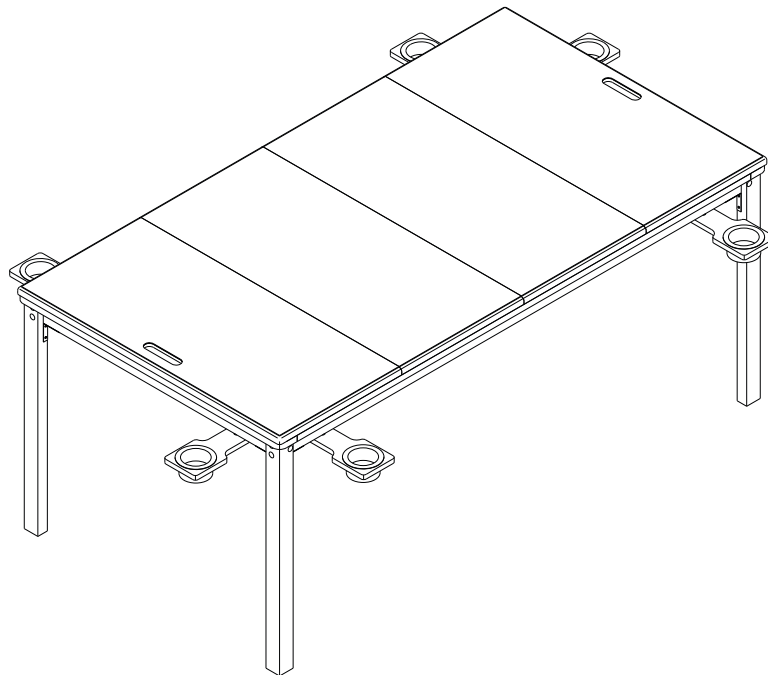


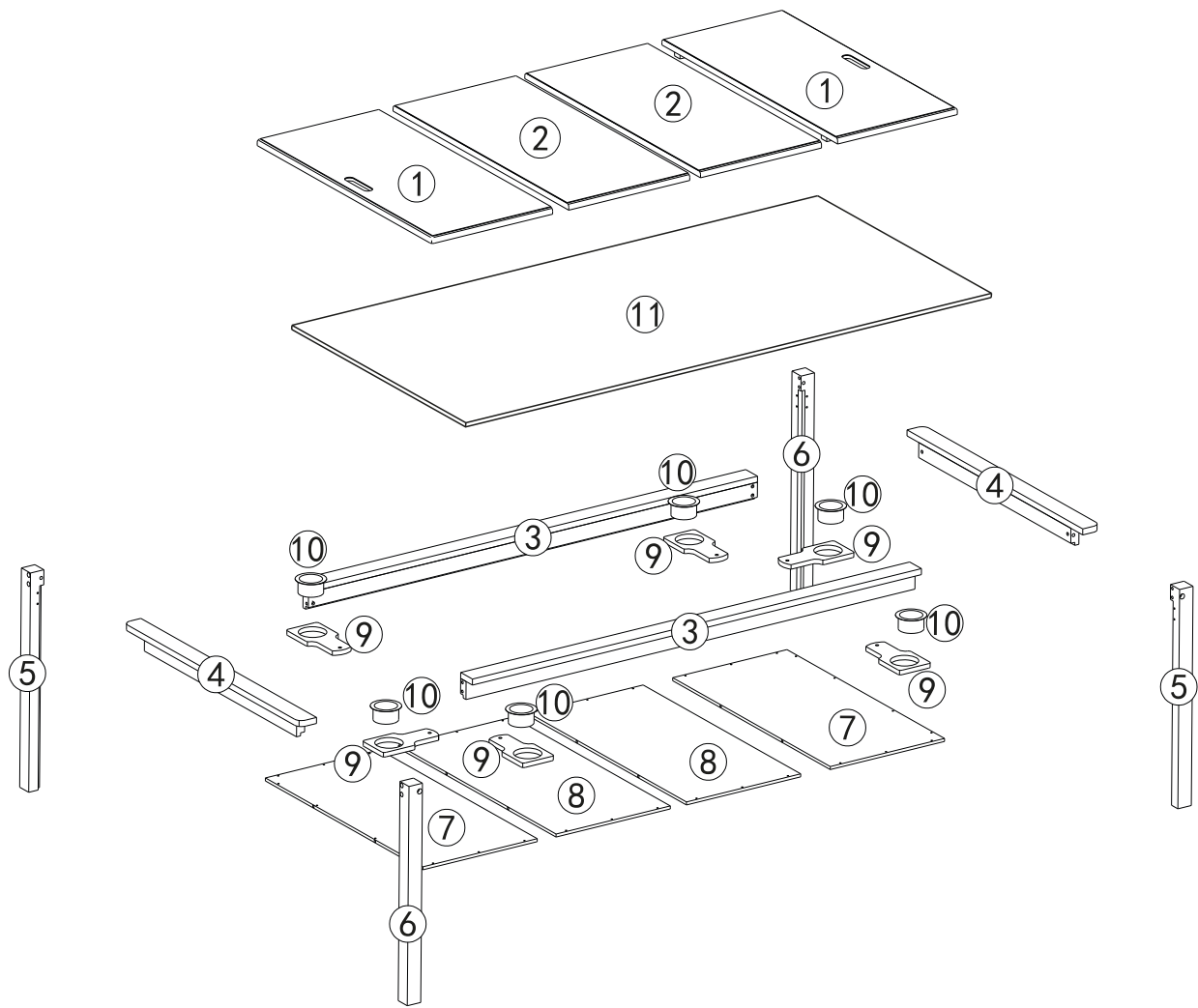
# INSTRUCTION MANUAL

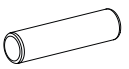
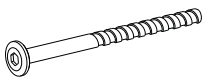



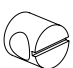
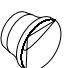

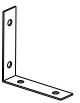


Thank you for your support  
Follow us for more updates!



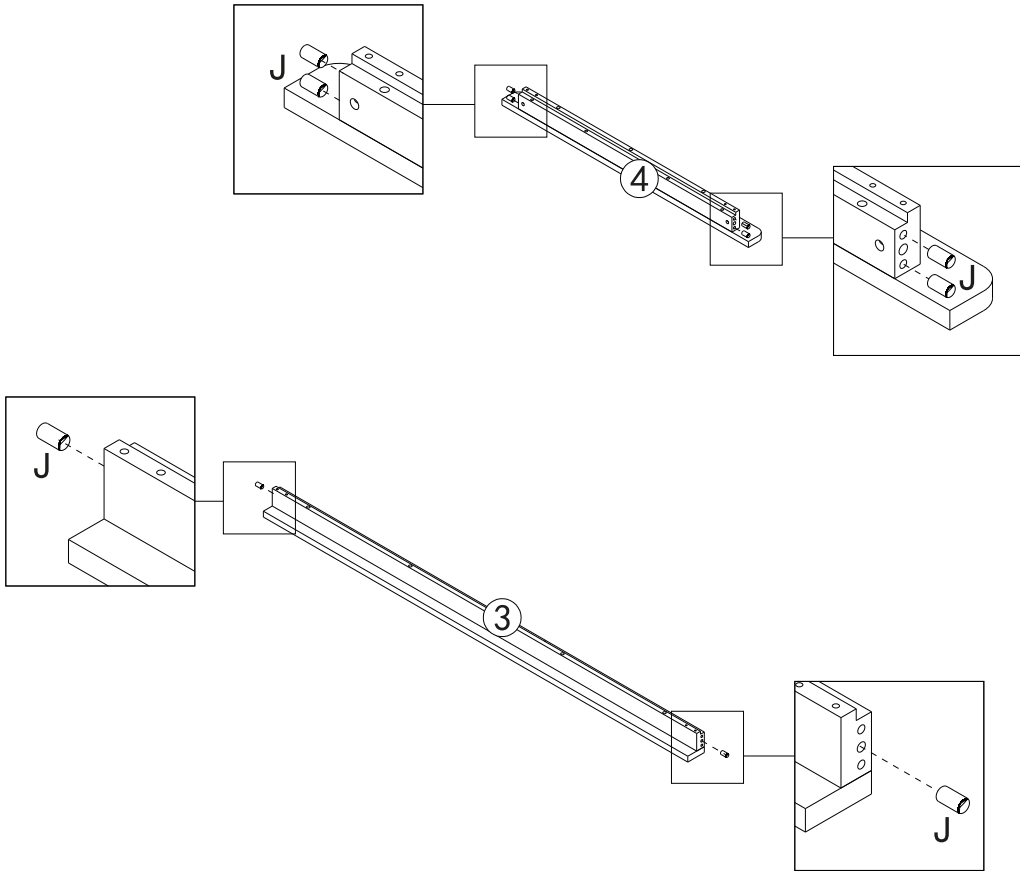
Please read the Manual carefully before operation. If the parts were missed or damaged, please contact us on Amazon or by after-sale e-mail. We will reply and solve the problem for you in 24 hours.

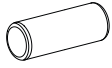
[yourniture@163.com](mailto:yourniture@163.com)



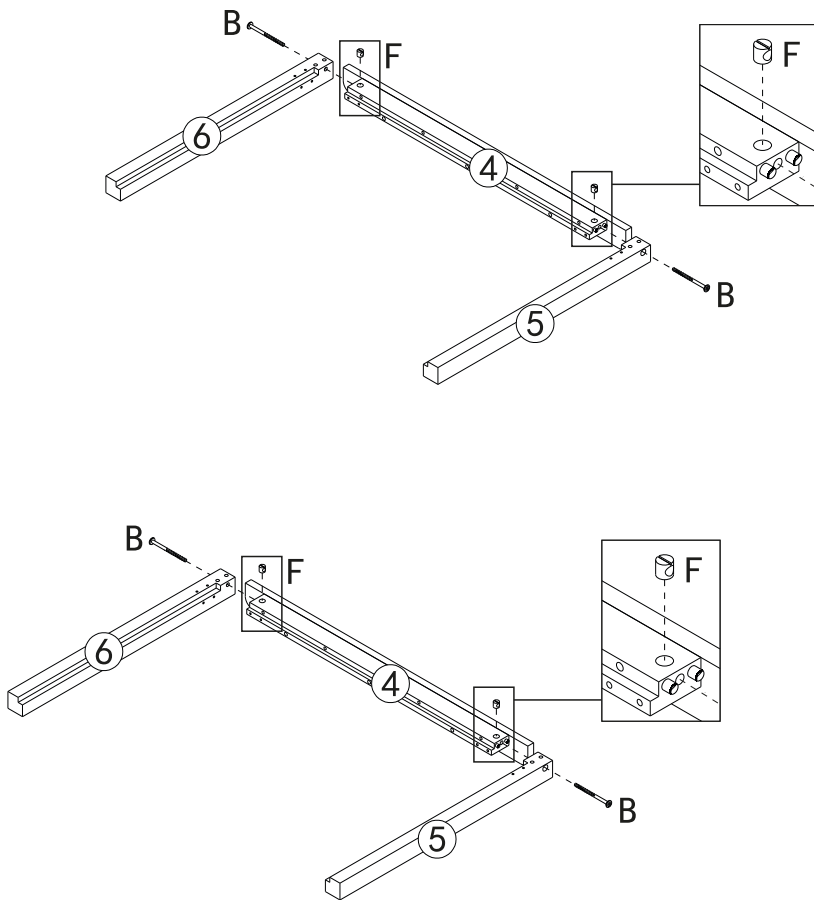
A	X6+1	B	X12+1	C	X6+1	D	X32+1	E	X32+1
									
M6X30 mm		M6X70 mm		M6X30 mm		M3X20 mm		M3X16 mm	
F	X12+1	G	X12+1	H	X1	I	X8	J	X12+1
									
								M8X30 mm	
k	X6+1								
									

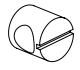
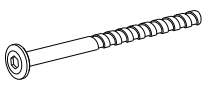
# STEP 1



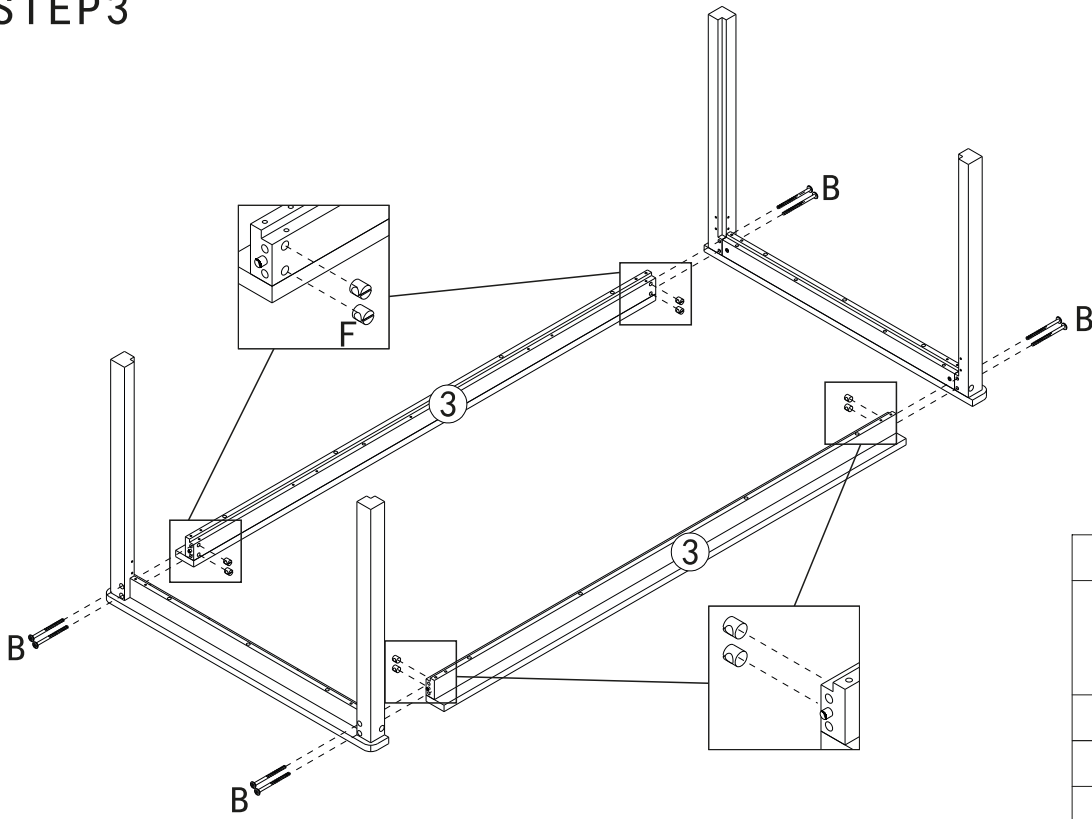
J	X12+1
	
M8X30 mm	

# STEP 2



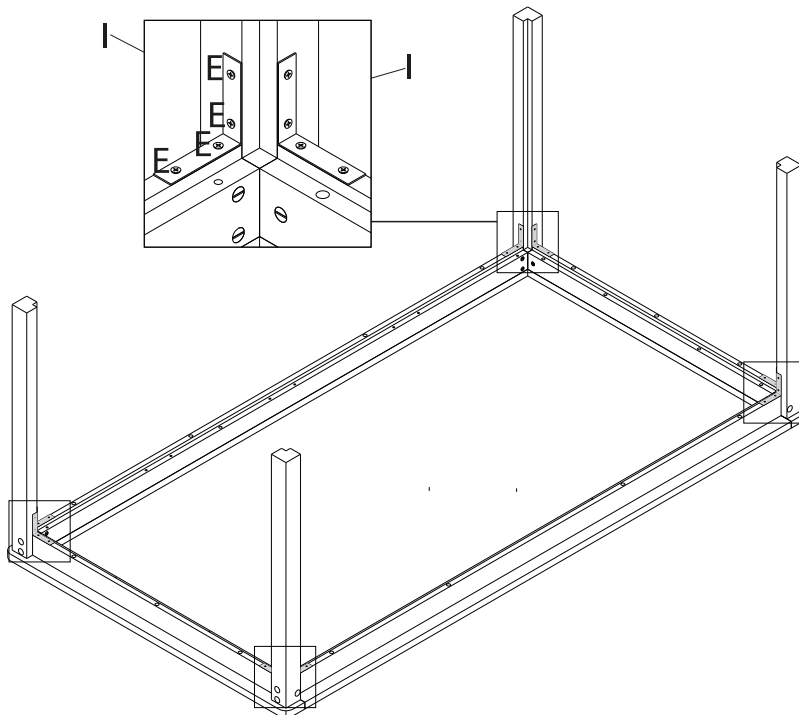
F	X4
	
B	X4
	
M6X70 mm	

### STEP 3



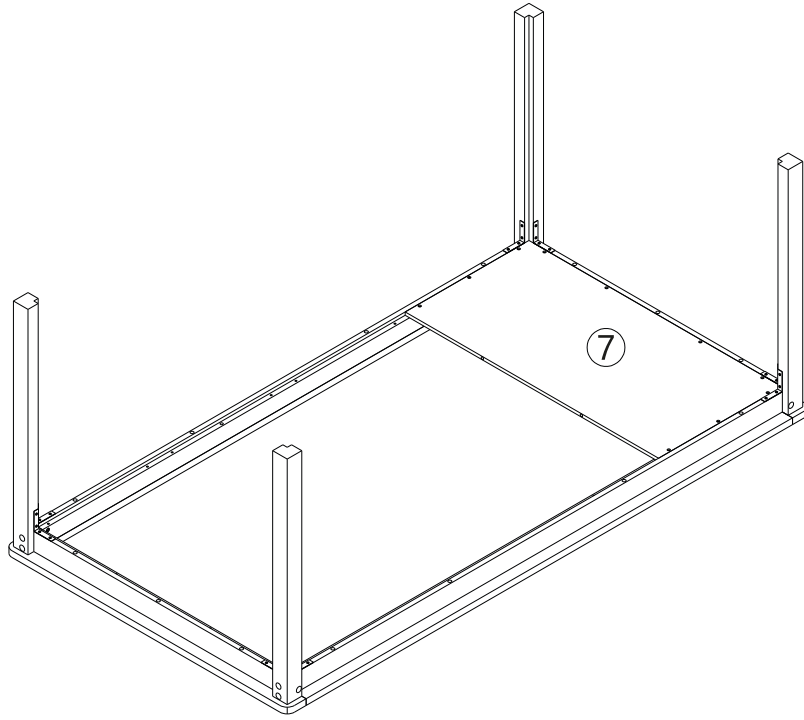
F	X8
B	X8
M6X70 mm	

### STEP 4

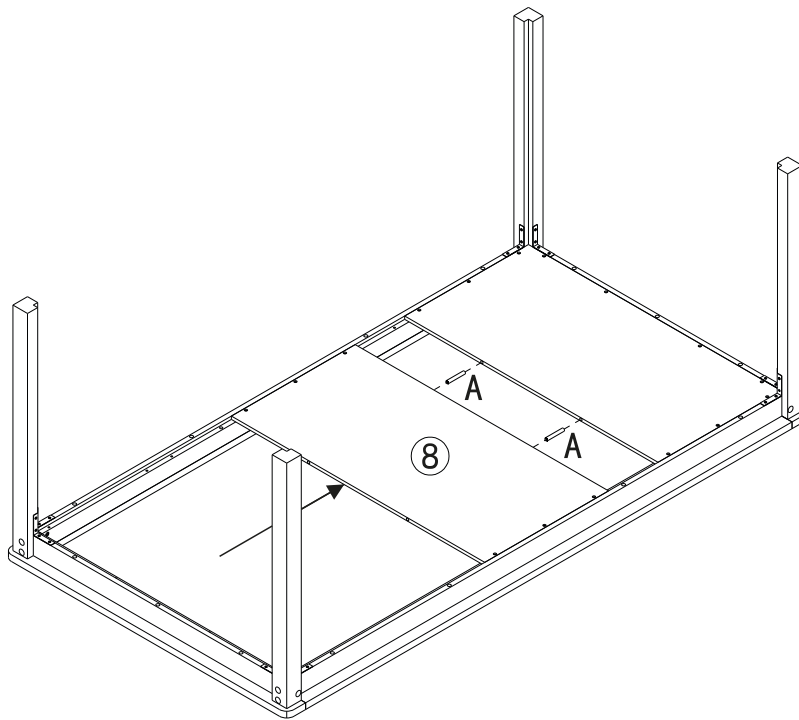



I	X32
M3X16 mm	

# STEP 5

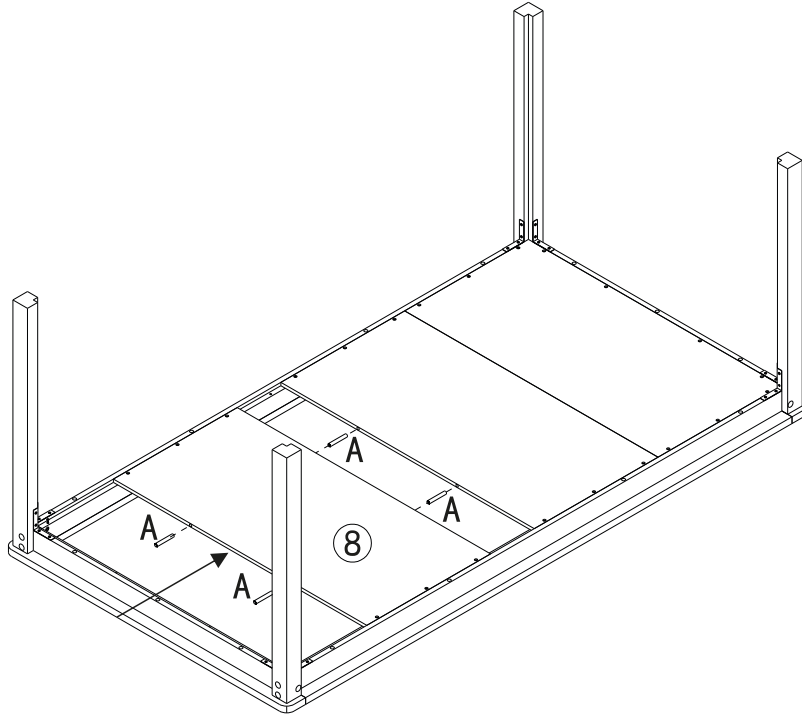



# STEP 6



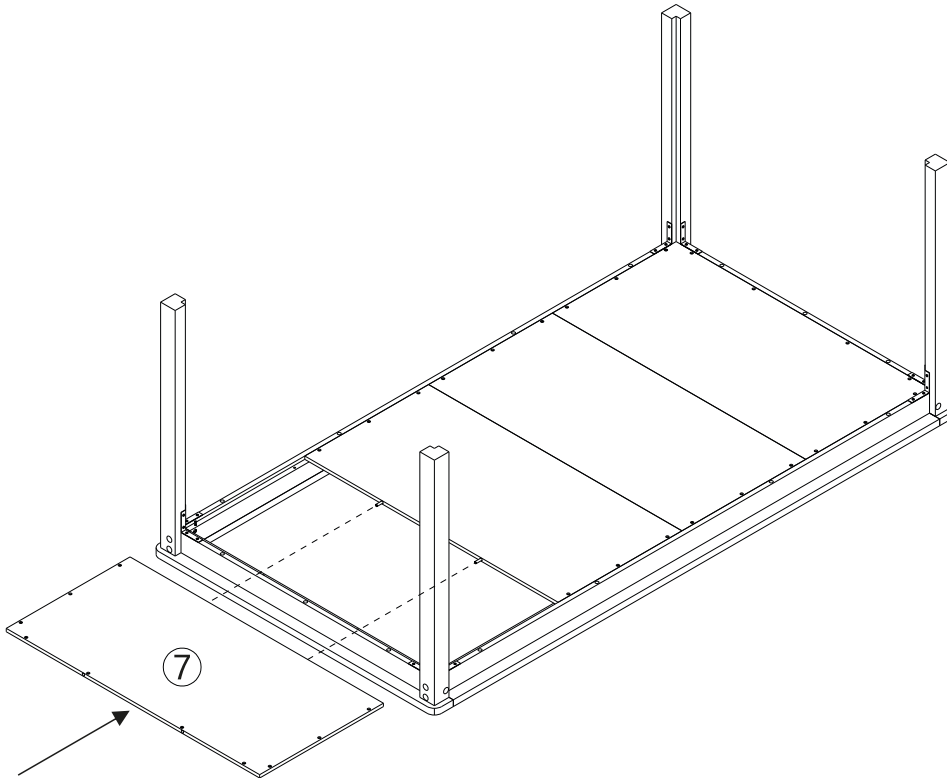
A	X2
	

# STEP 7

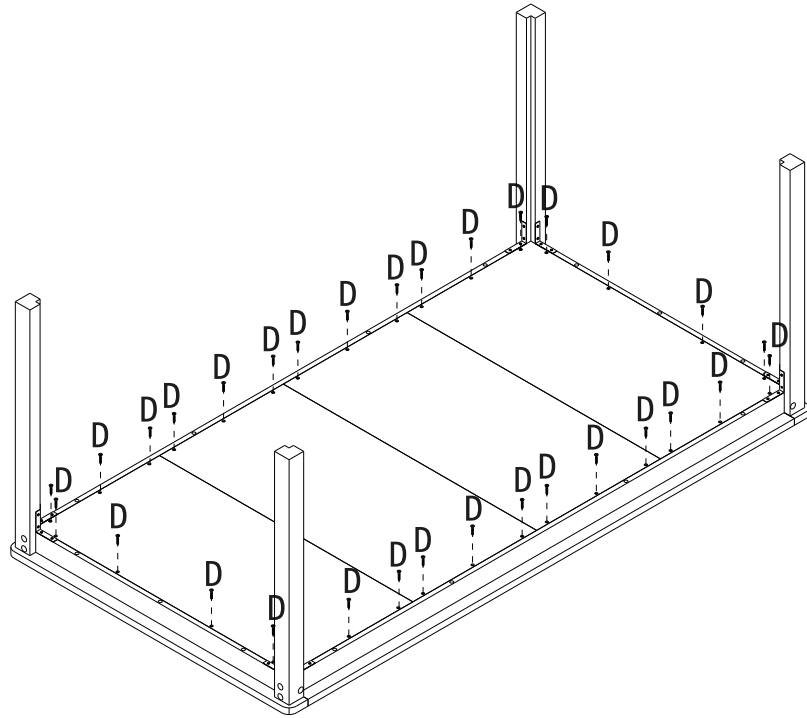



A	X4
	

# STEP 8

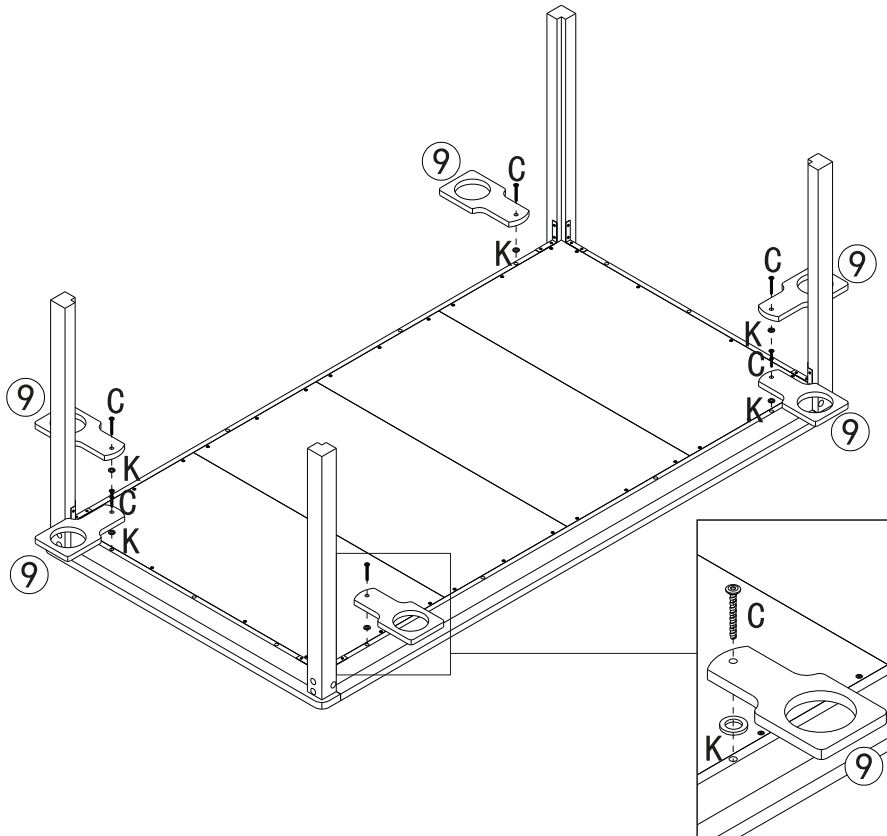




# STEP 9



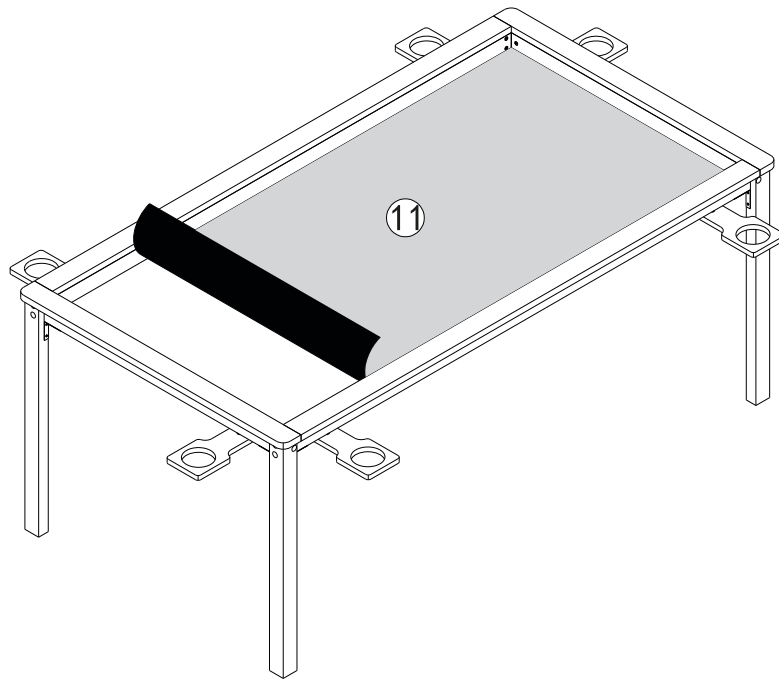
D	X32
	
M3X20 mm	

# STEP 10

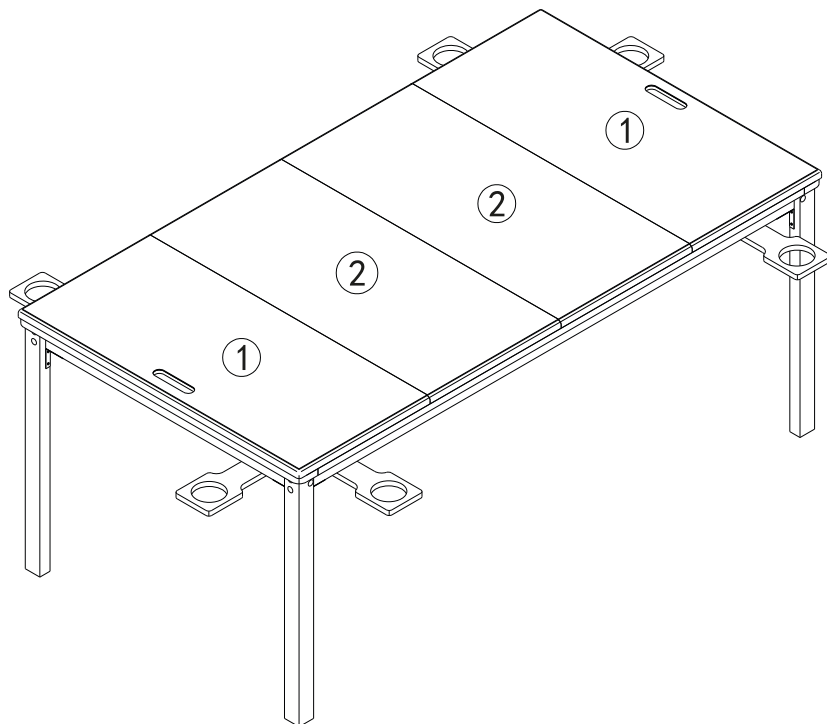


K	X6+1
	
C	X6+1
	
M6X30 mm	

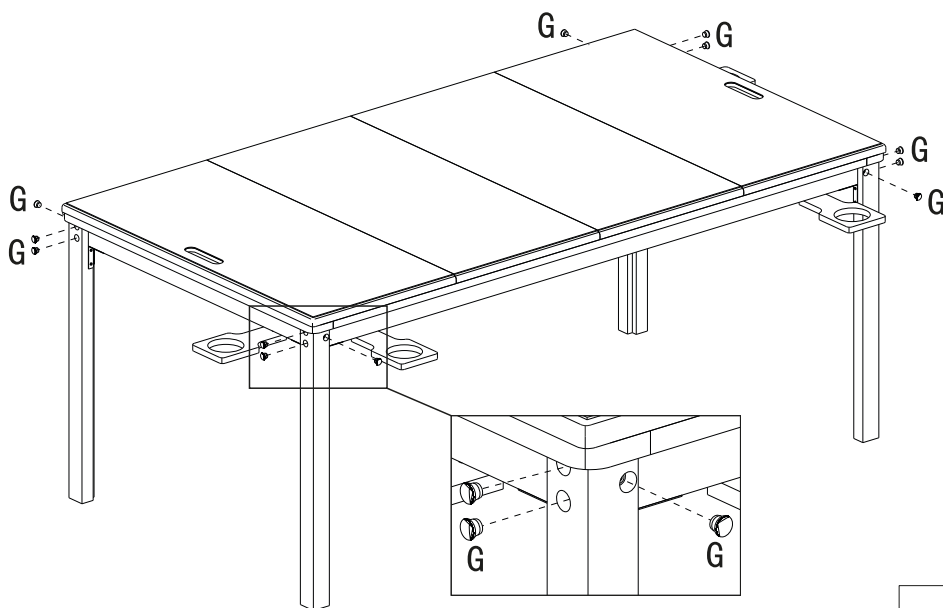
## STEP 11



## STEP 12



# STEP 13



G	X12

# STEP 14

