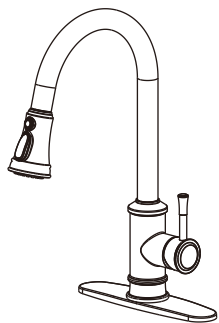
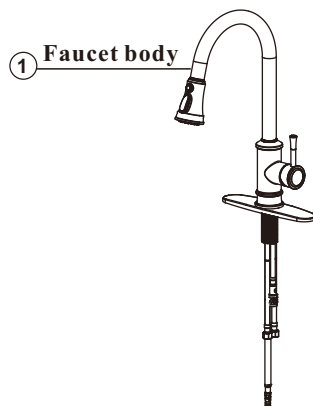
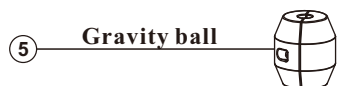
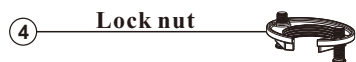


## Installation instructions

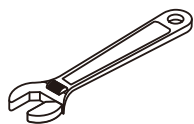


**FOR FAMILIES**  
**3 MODES FOR MOST FAMILY USE**  
**FOR CONVENIENCE**  
**PULL-DOWN DESIGN WITH GRAVITY BALL**  
**FOR THE SAKE OF AESTHETICS**  
**THE FUSION OF CREATIVITY FROM**  
**DESIGNER TEAM**

### Parts included



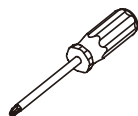
### Tools you may need



Adjustable wrench



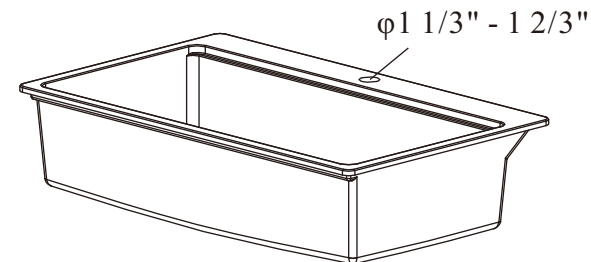
Safety glasses



The screwdriver

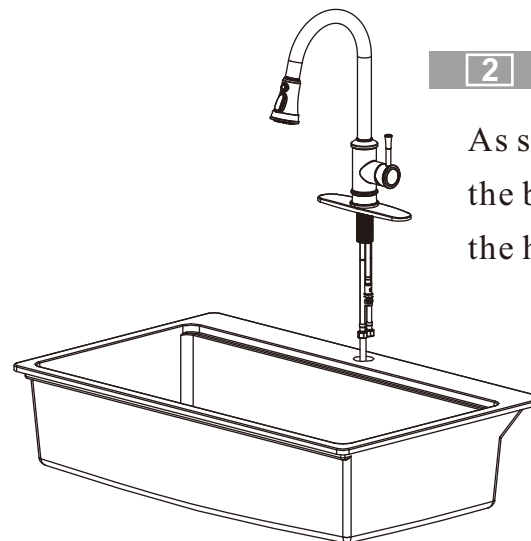
1

Before installation, make sure  
installation hole diameter  
is 1 1/3" - 1 2/3"



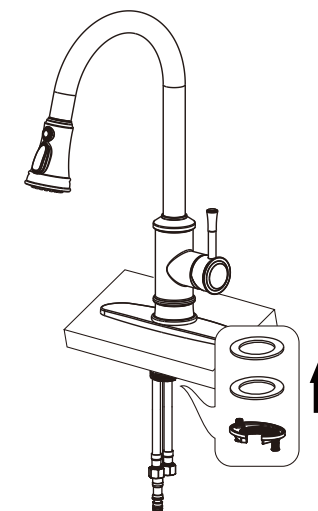
2

As shown in the picture, take out  
the basin faucet and place it into  
the hole of the ceramic basin.



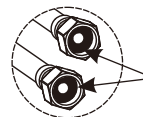
3

Place the rubber ring, stainless steel gasket  
and lock nut on the tap successively from  
under the table as shown.

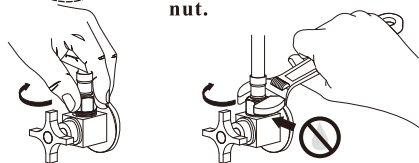


4

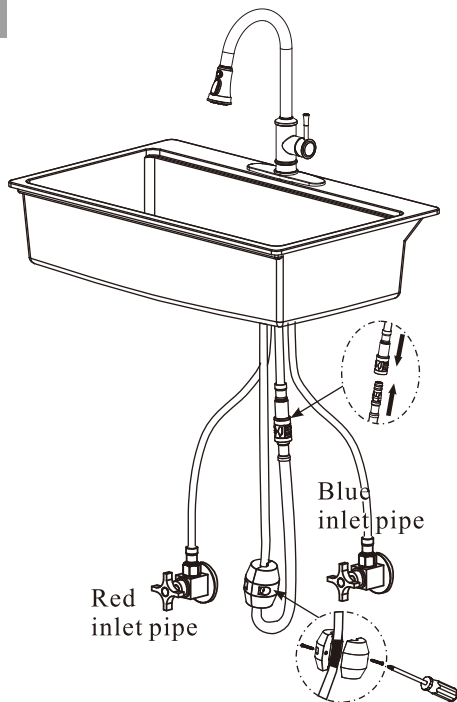
Install the gravity ball onto the faucet hose as shown in the picture (make sure the hose is not twisted). Then connect the cold and hot water pipes onto the angle valve respectively and tighten them using a wrench.



Before installing the inlet pipe, please check whether the gasket is placed on the nut.



Tighten the nuts manually and then reinforce them with tools.

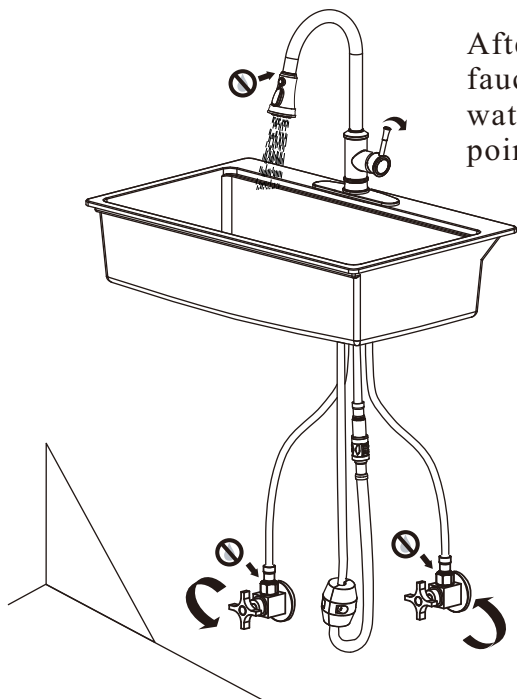


Red inlet pipe

Blue inlet pipe

5

After installation, turn on the basin faucet (turn the handle) and test the water flow. Check each connection point for leaks.



3 Modes

SPRAY



RAIN



STREAM

