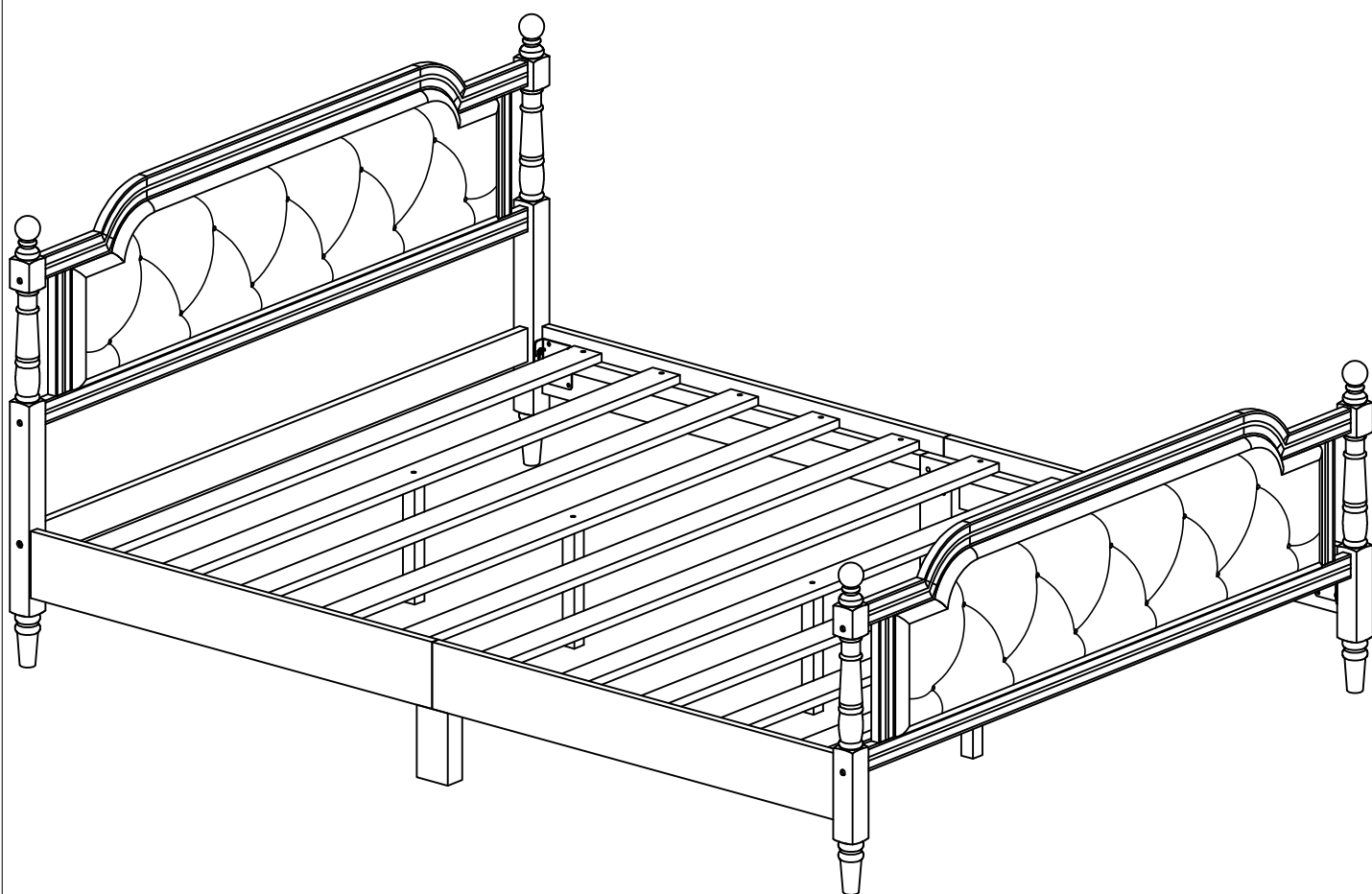
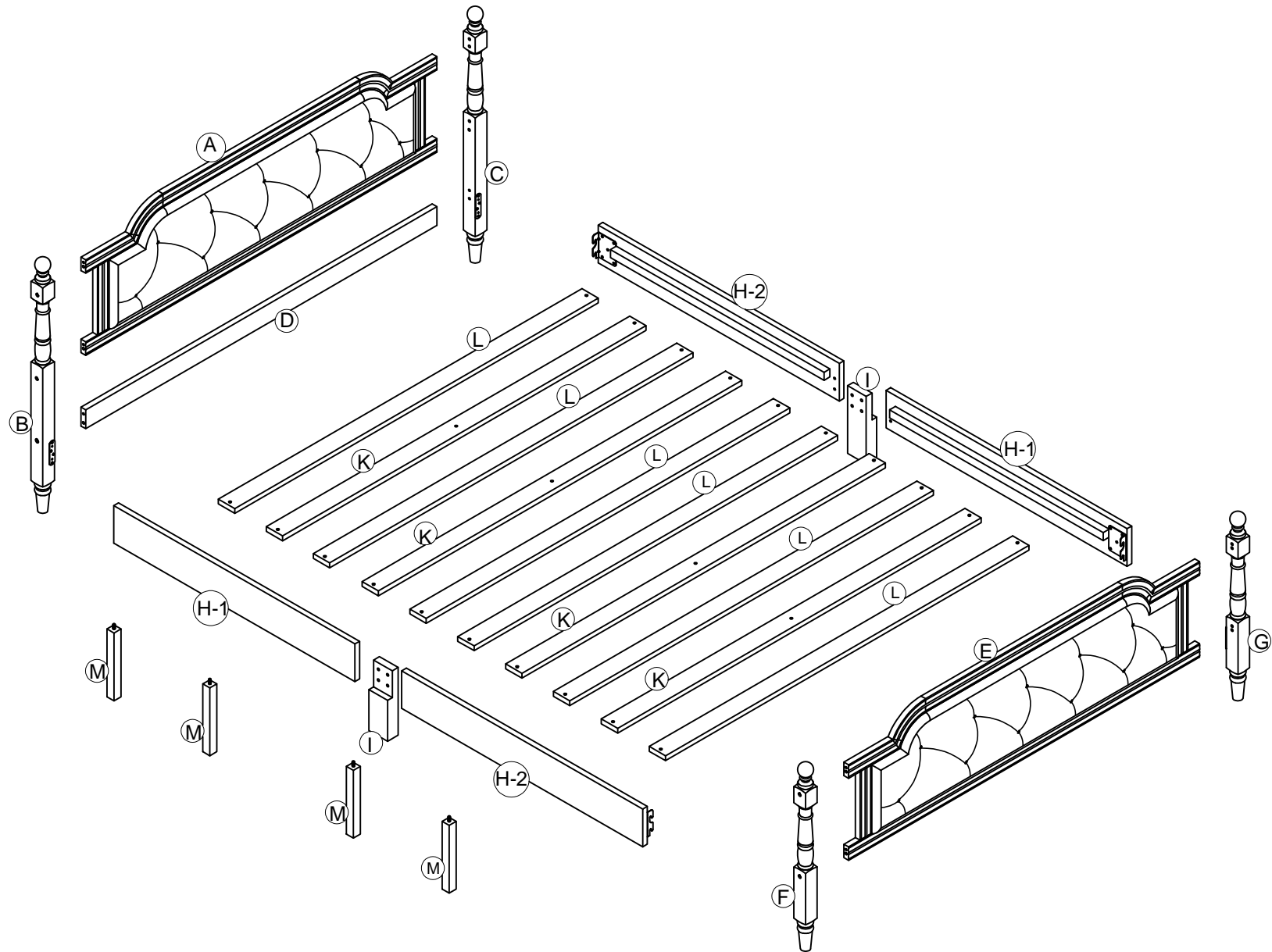


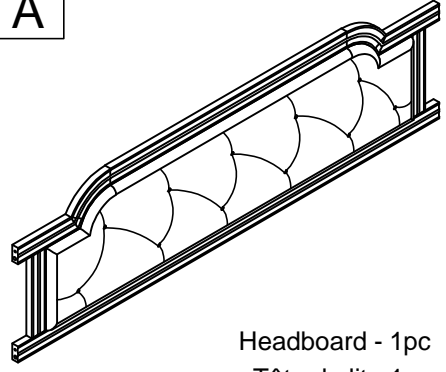
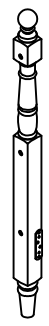

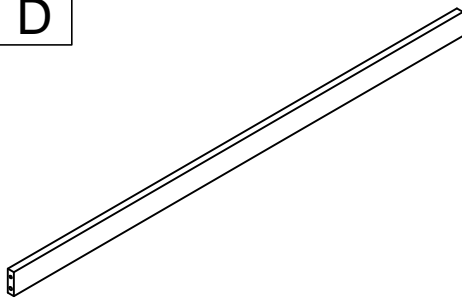
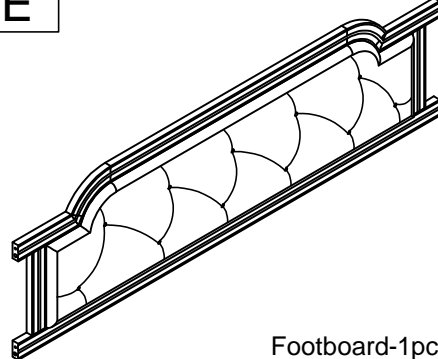
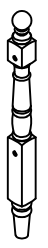
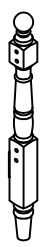
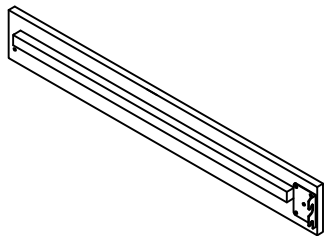
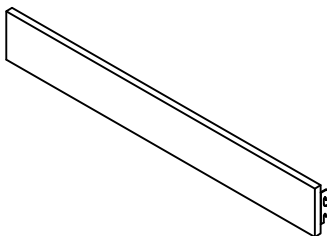
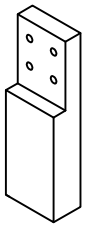
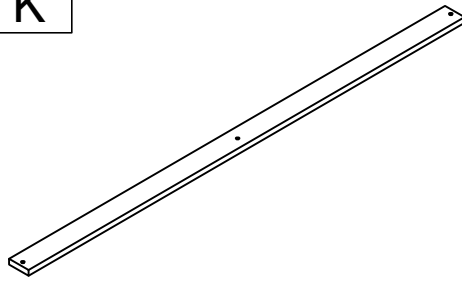
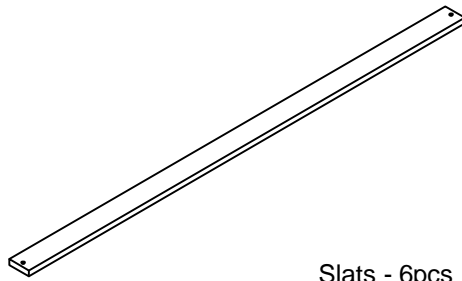

ASSEMBLY INSTRUCTION





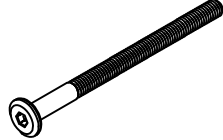

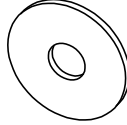
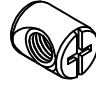


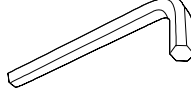
ASSEMBLY INSTRUCTION

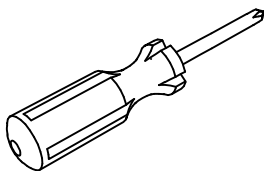


Part List

<p>A</p>  <p>Headboard - 1pc Tête de lit - 1pc</p>	<p>B</p>  <p>Headboard Left Leg - 1pc Pied gauche de la tête de lit - 1pc</p>	<p>C</p>  <p>Headboard Right Leg-1pc Pied droit de la tête de lit-1pc</p>	
<p>D</p>  <p>Headboard bar-1pc Barre de tête de lit-1pc</p>	<p>E</p>  <p>Footboard-1pc Pied de lit -1pc</p>	<p>F</p>  <p>Footboard Left Leg-1pc Pied de lit jambe gauche-1pc</p>	
<p>G</p>  <p>Footboard Right Leg - 1pc Pied de lit jambe droite - 1pc</p>	<p>H-1</p>  <p>Rails - 2pcs Rails - 2 pcs</p>	<p>H-2</p>  <p>Rails - 2pcs Rails - 2 pcs</p>	<p>I</p>  <p>Side Legs - 2pcs Jambes latérales - 2pcs</p>
<p>K</p>  <p>Slats - 4pcs Lattes - 4pcs</p>	<p>L</p>  <p>Slats - 6pcs Lattes - 6pcs</p>	<p>M</p>  <p>Center Legs - 4pcs Pieds centraux - 4pcs</p>	

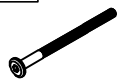




Hardware List

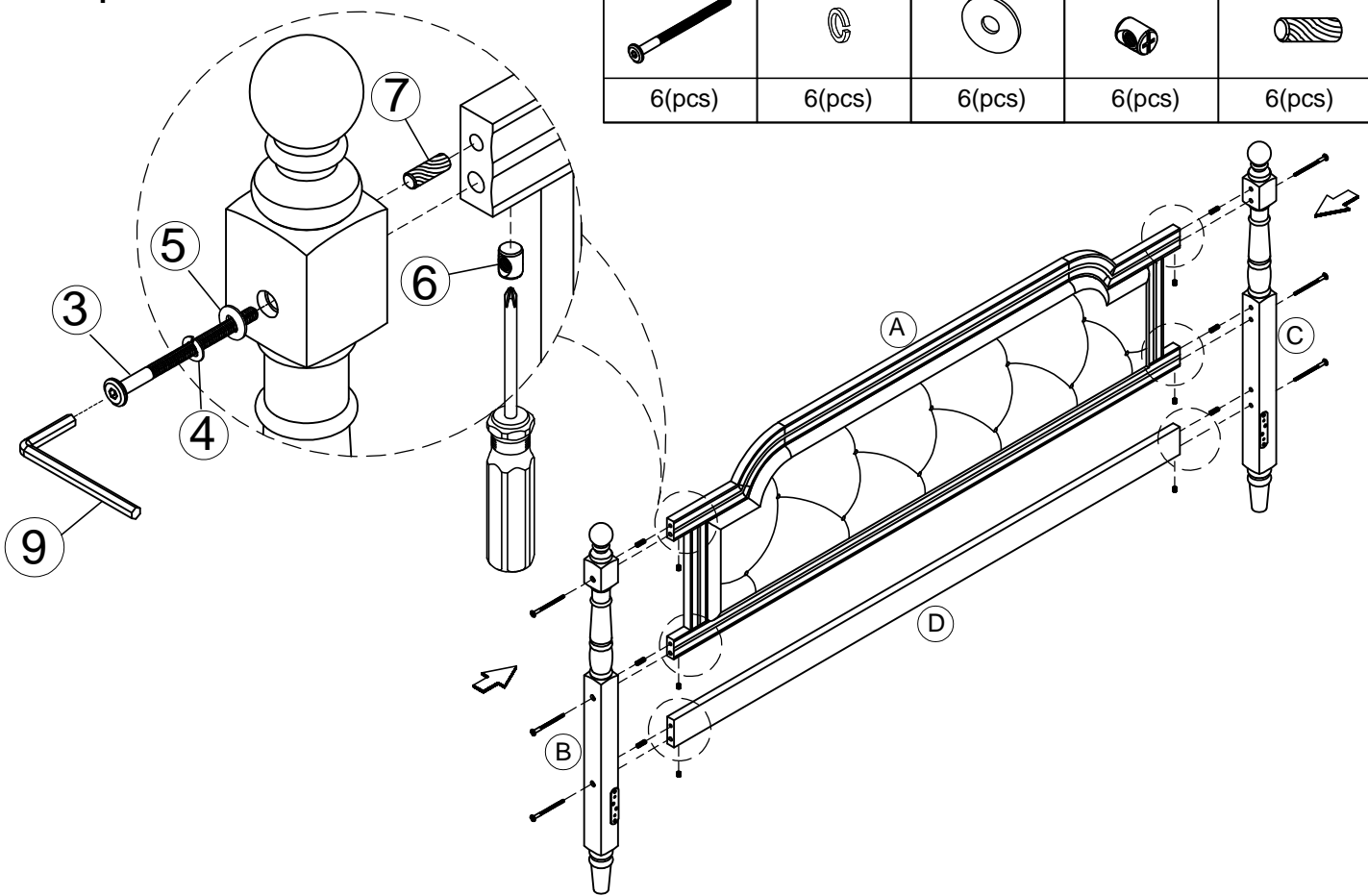
<p>1</p>  <p>Bolt M8 x 15mm-8pcs Boulon M8 x 15mm-8 pcs</p>	<p>2</p>  <p>Bolt M6 x 40mm - 8pcs Boulon M6 x 40mm - 8pcs</p>	<p>3</p>  <p>Bolt M6 x 80mm - 10pcs Boulon M6 x 80mm - 10pcs</p>
<p>4</p>  <p>Lock washer 6x8 : 18 pcs Rondelle de blocage 6x8 : 18 pcs</p>	<p>5</p>  <p>Flat washer 6x13 : 18pcs Rondelle plate 6x13 : 18pcs</p>	<p>6</p>  <p>Cross Dowels 10x13mm-10pcs Chevilles croisées 10x13mm-10pcs</p>
<p>7</p>  <p>Wood Dowel Ø10 x 30mm-10pcs Cheville en bois Ø10 x 30mm-10pcs</p>	<p>8</p>  <p>Wood Crews M4 x 30mm-20pcs Bois Crews M4 x 30mm-20pcs</p>	<p>9</p>  <p>Allen Key M4-1pc Clé Allen M4-1pc</p>








Assembly Tools Required (Not Included)
Outils d'assemblage requis (non inclus)

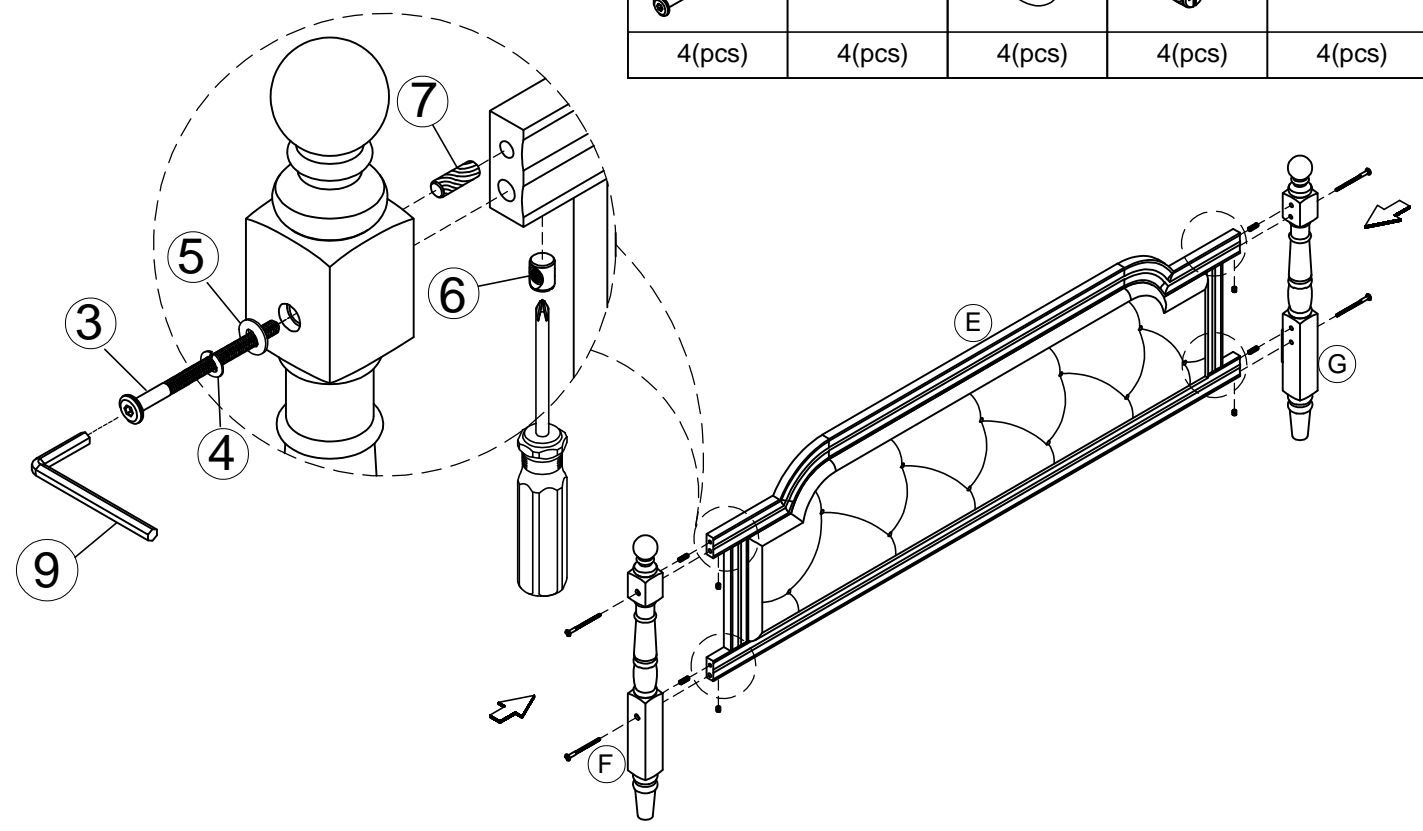
Step 1:

3	4	5	6	7
				
6(pcs)	6(pcs)	6(pcs)	6(pcs)	6(pcs)






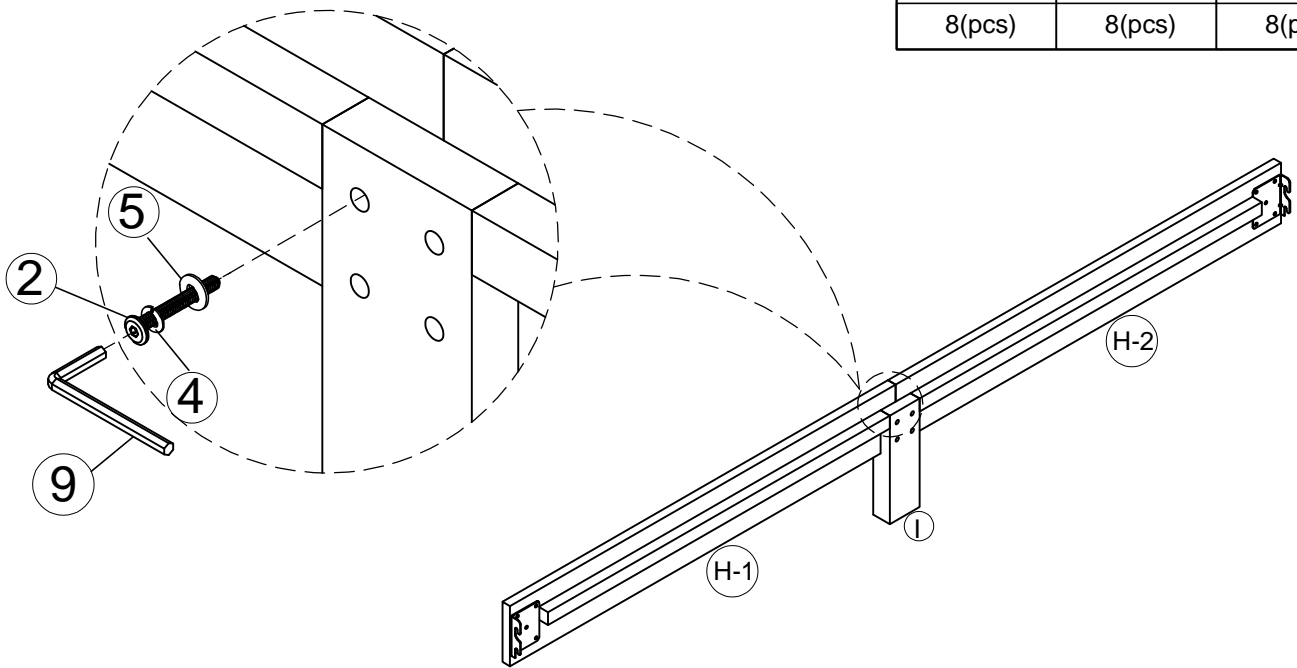
Step 2:

3	4	5	6	7
				
4(pcs)	4(pcs)	4(pcs)	4(pcs)	4(pcs)




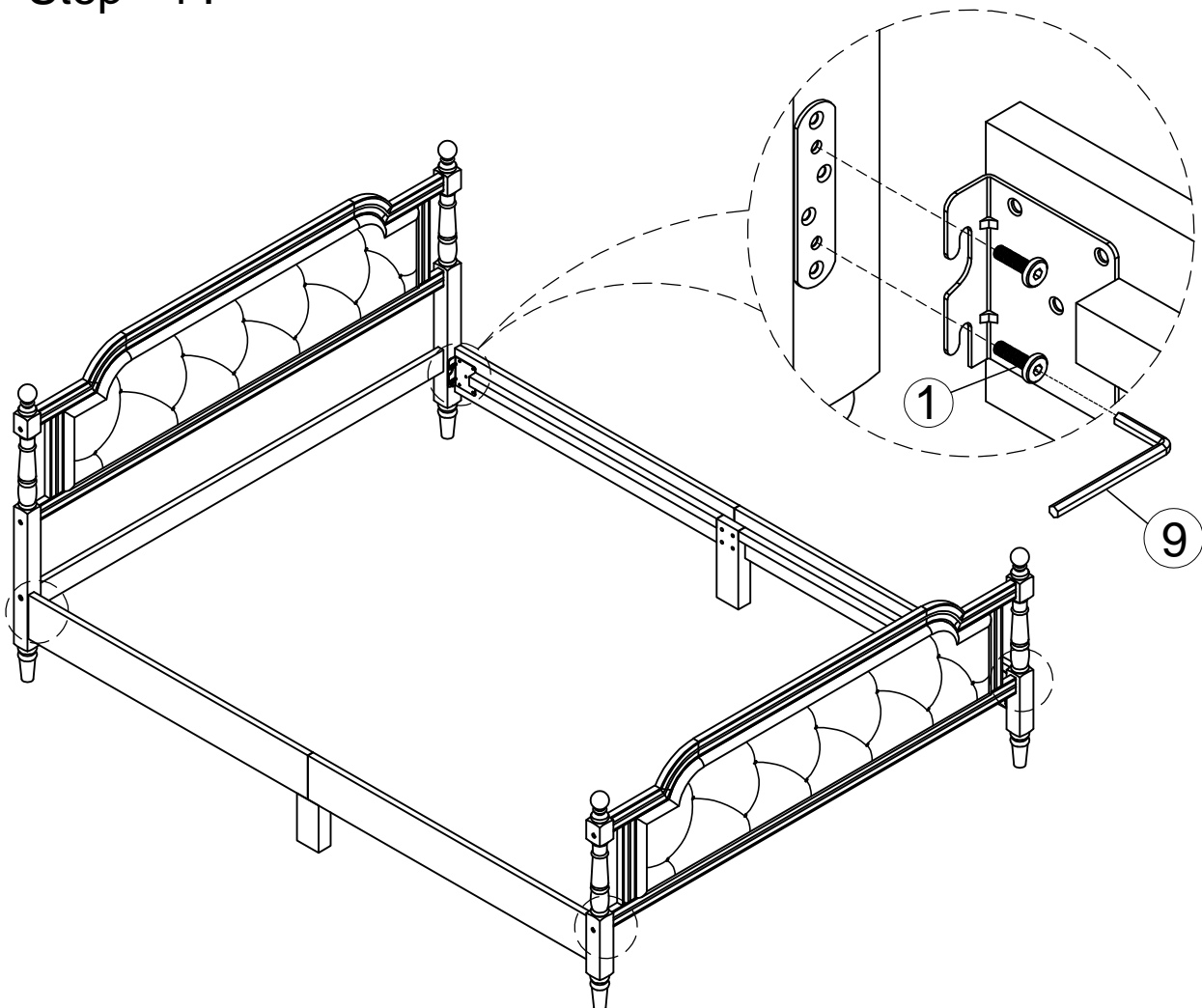
Step 3 :

2	4	5
		
8(pcs)	8(pcs)	8(pcs)

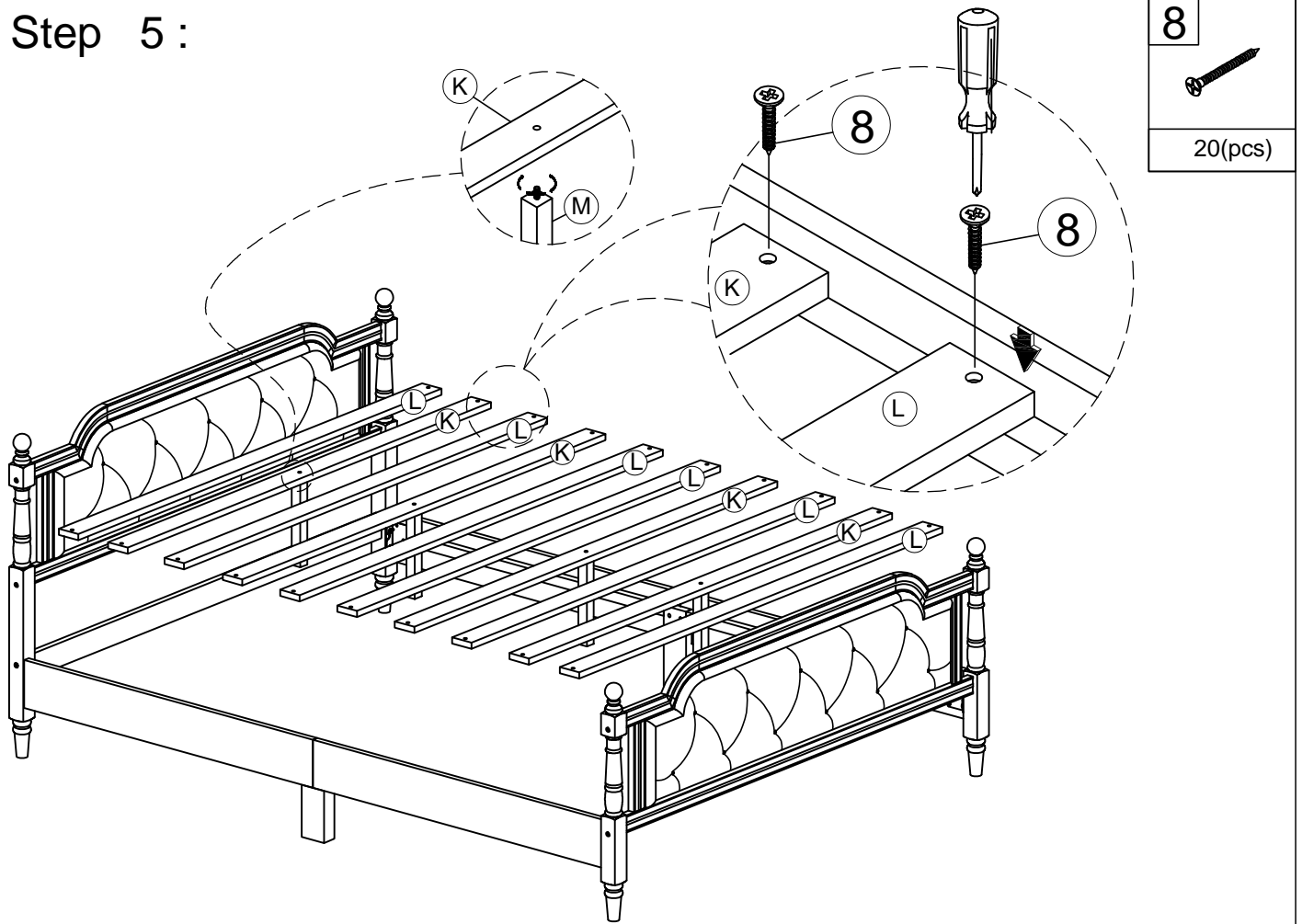


Step 4 :

1

8(pcs)



Step 5 :



Finished :

