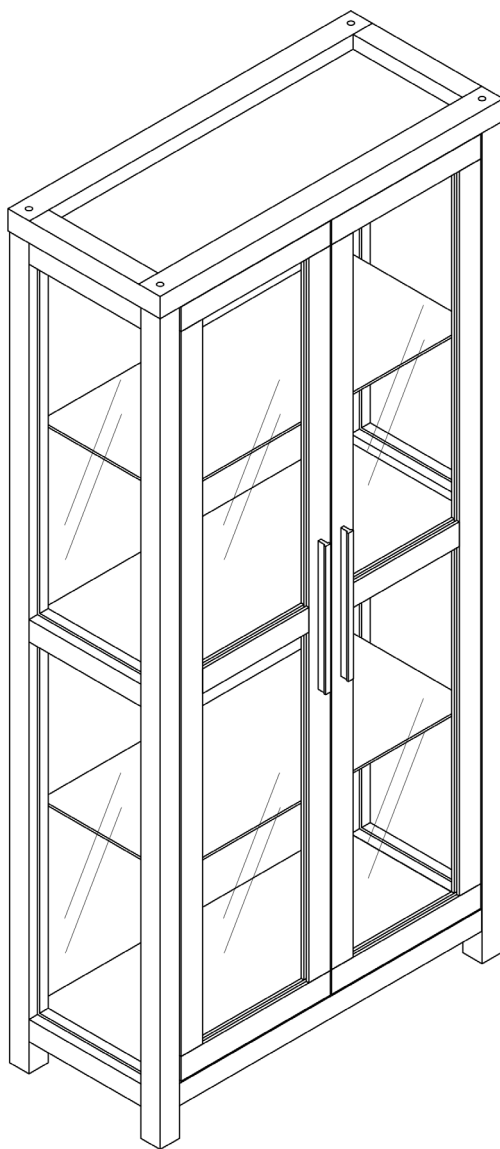


Cabinet





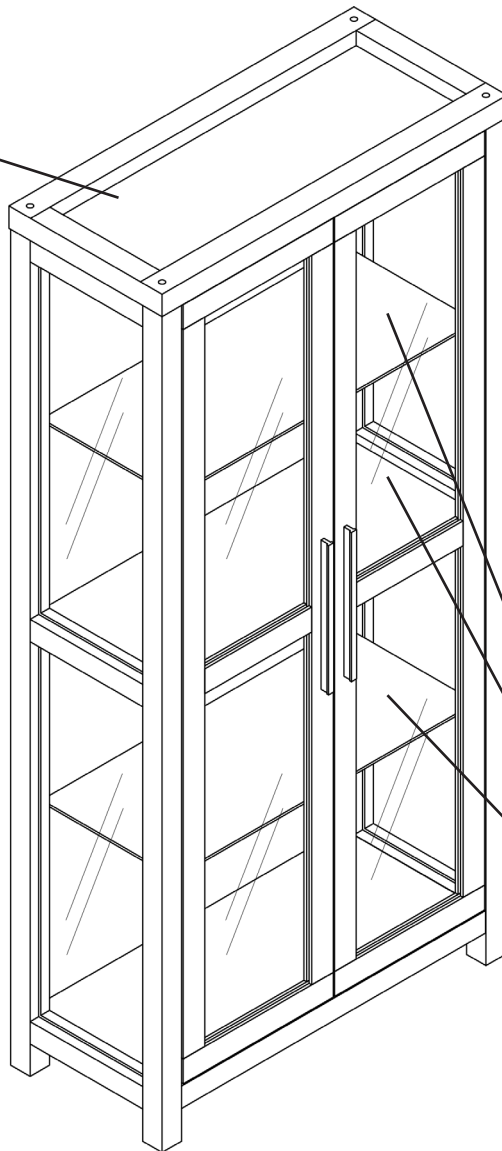
Estimated time for assembly:

90 mins



Weight limitations are as follows:

Maximum Load
80 lb



Maximum Load
20 lb



Assemble the furniture on an empty carton, carpet, or rug to prevent scratches or damage.

For safety, please keep pets and children away from the assembly area.

Ensure the product is fully assembled before use. If you are missing any hardware or products, do not use it until you have restored the missing parts.



This furniture requires 2 people for assembly.

Read this instruction manual prior to assembly to familiarize yourself with the various steps.

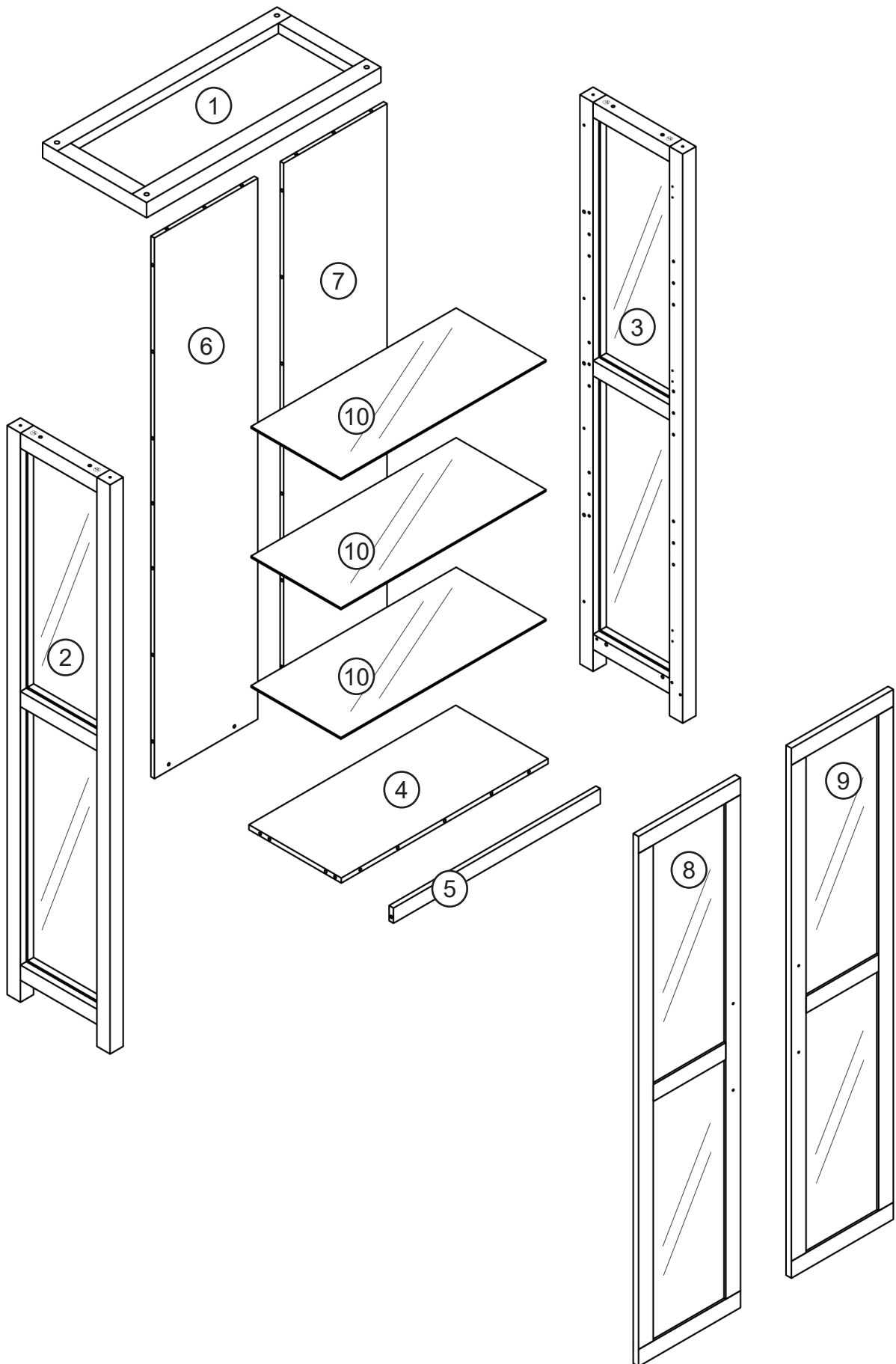
Lay out all components and hardware separately on a flat surface and make sure that no parts are missing or damaged before assembly. Do not destroy or discard any packaging until you are certain that you have all the necessary parts for assembly.

CAUTION

There are small components used in the construction of this product. Loose items should be kept away from pets and children to avoid a choking hazard.

Keep all plastic bags and packaging film away from pets and children to avoid suffocation.

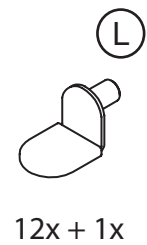
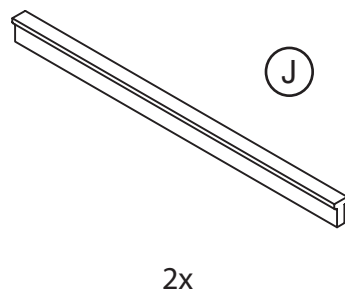
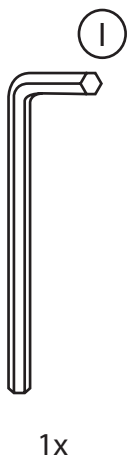
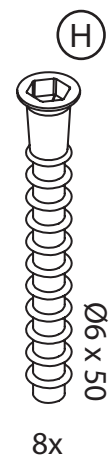
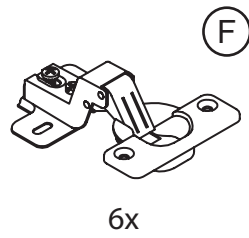
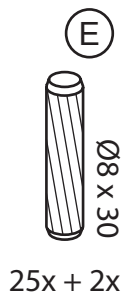
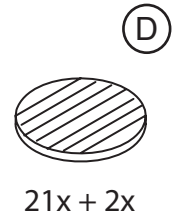
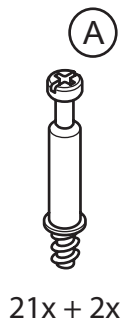
PACKAGE CONTENTS



PACKAGE CONTENTS (A)

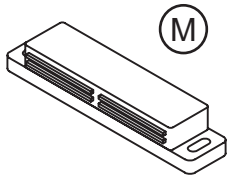
CODE	DESCRIPTION	QTY
1	Top Panel	1
2	Left Panel	1
3	Right Panel	1
4	Bottom Panel	1
5	Bottom Molding	1
6	Left Back Panel	1
7	Right Back Panel	1
8	Left Cabinet Door	1
9	Right Cabinet Door	1
10	Storage Shelf Panel	3

PACKAGE CONTENTS



Install all hardware perpendicular to the opening.

PACKAGE CONTENTS



1x

(N)



2x

(O)



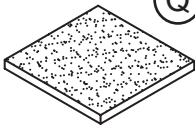
2x

(P)



2x

(Q)



4x

(R)



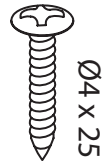
2x

(S)



2x

(T)



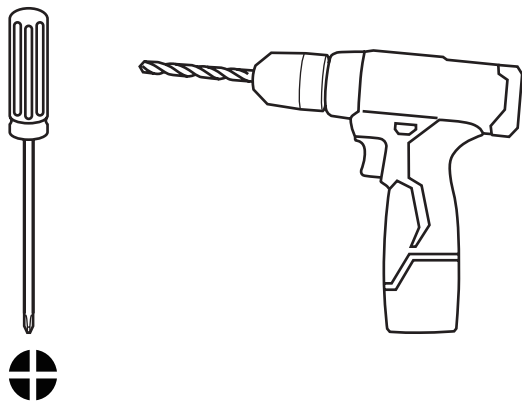
2x

(U)



2x

Required tools for assembly (Not included)

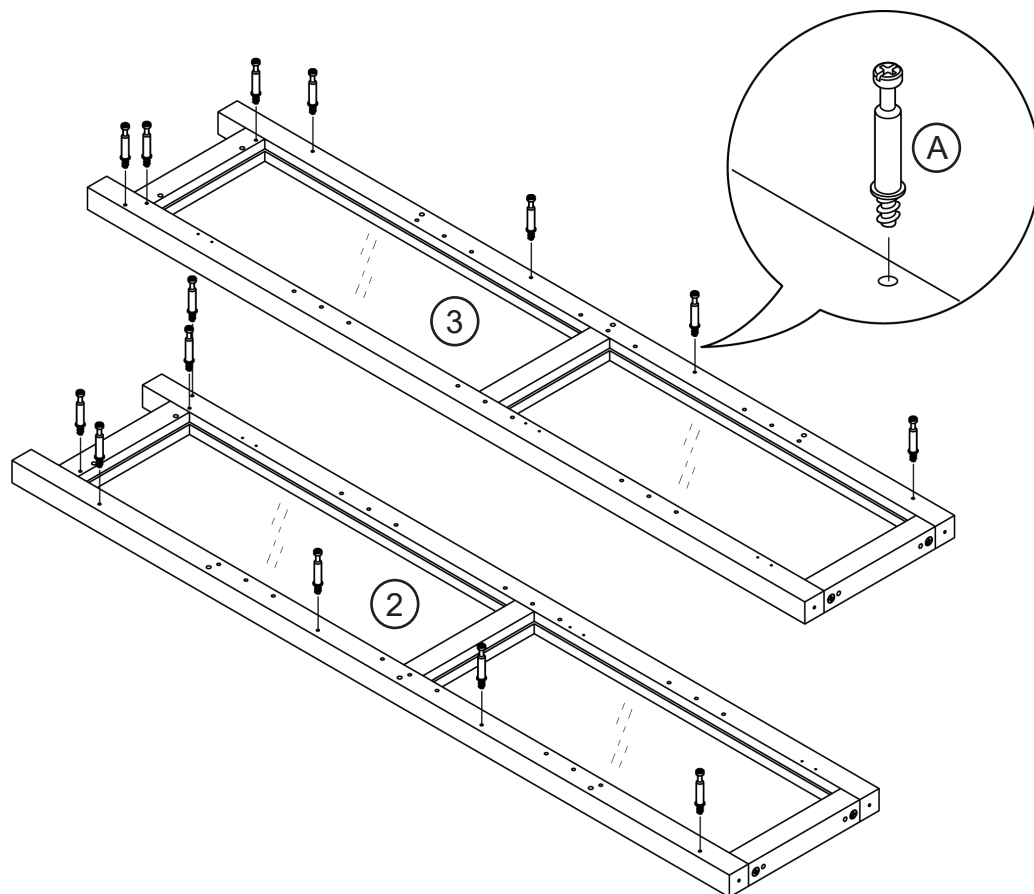


1



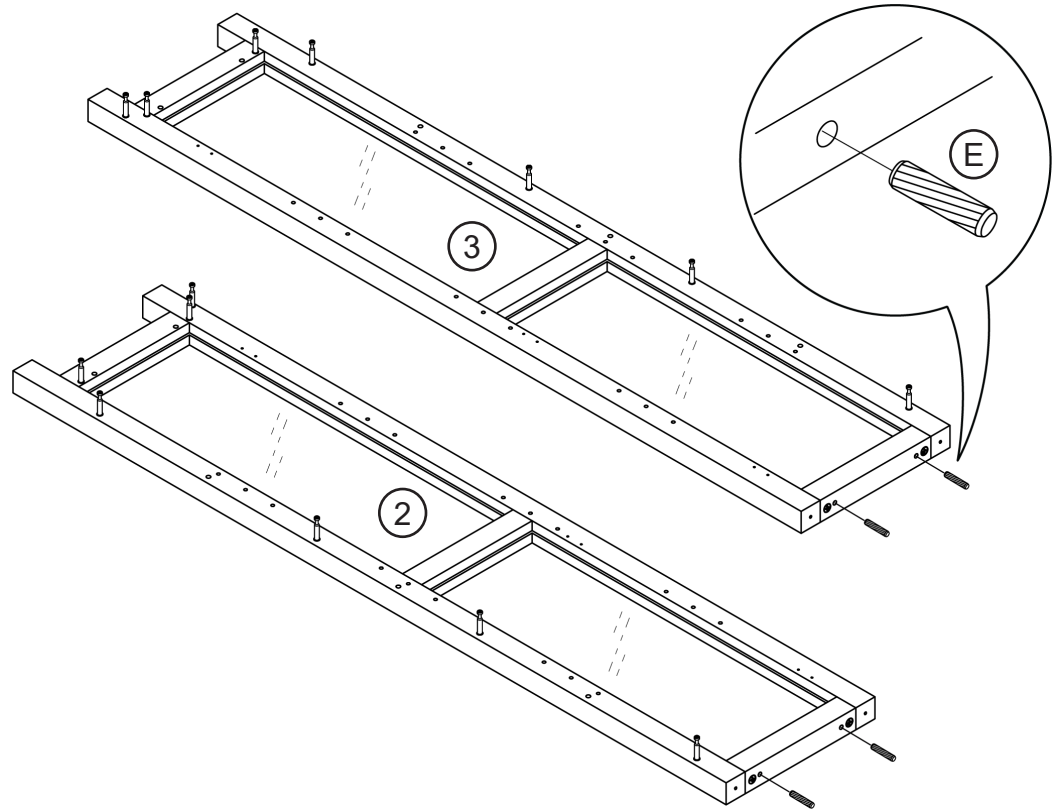
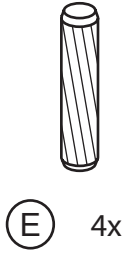
(A) 14x

Attach cam bolts on the side panels.



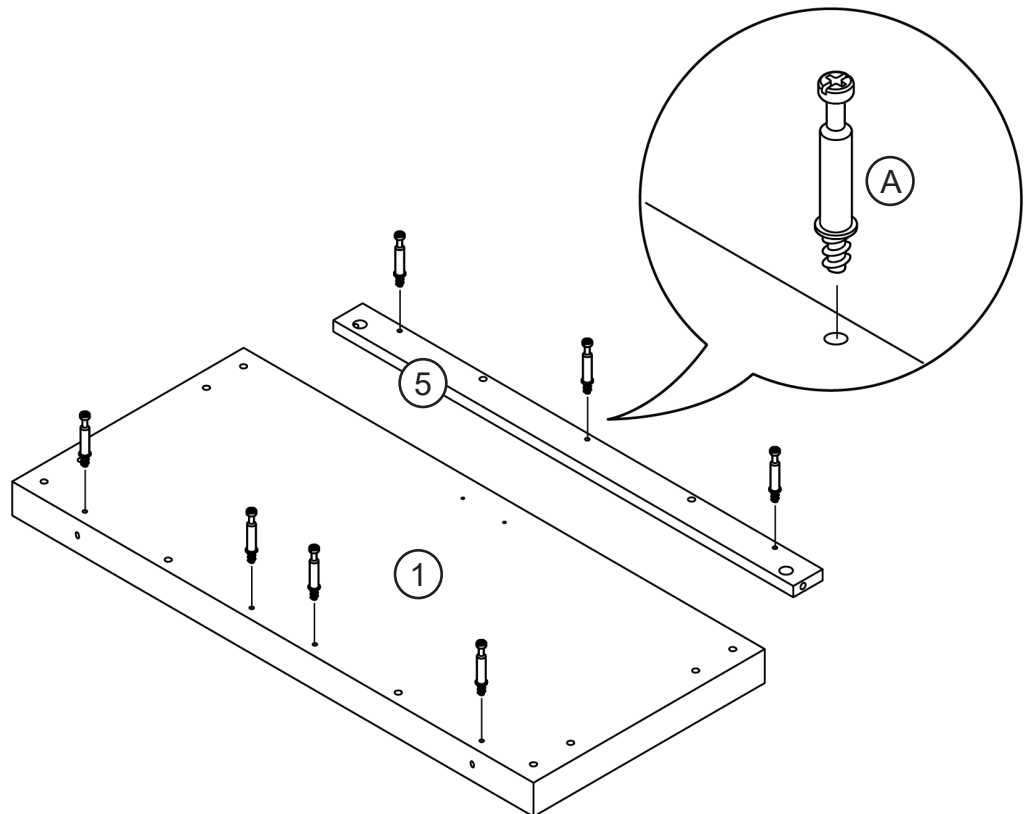
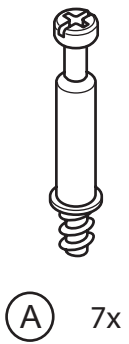
2

Attach wood dowel on top of the side panels.



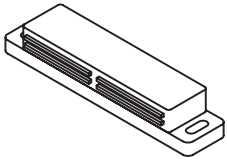
3

Attach cam bolts to the top panel and the bottom molding.



4

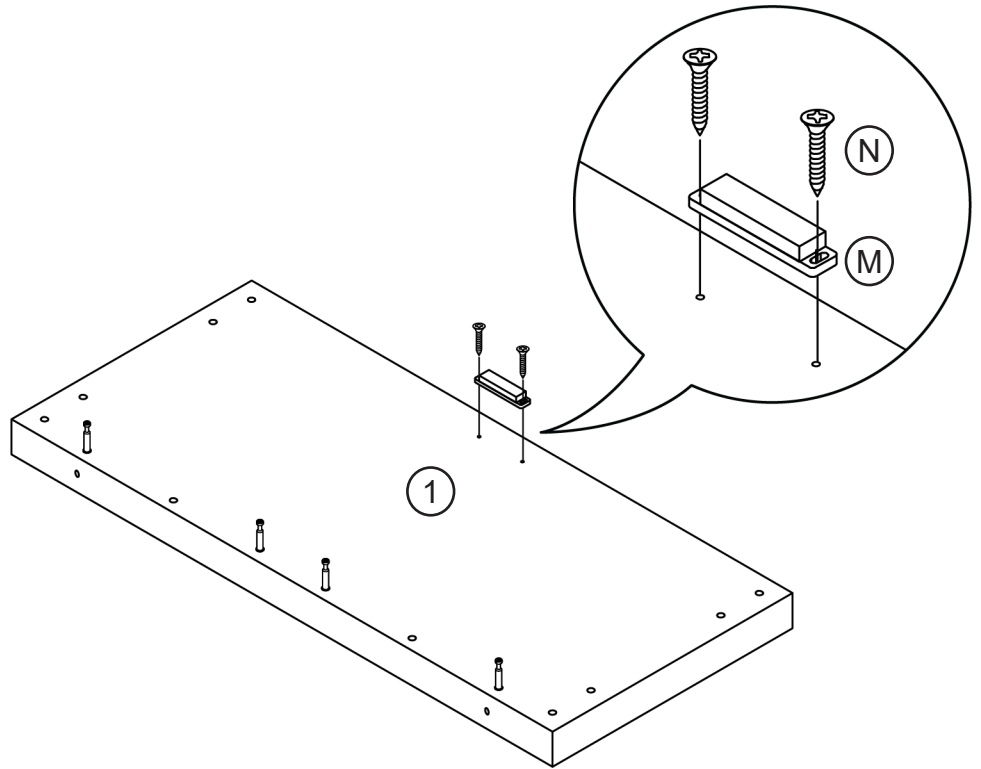
Attach the magnetic catch to the top panel.



(M) 1x



(N) 2x

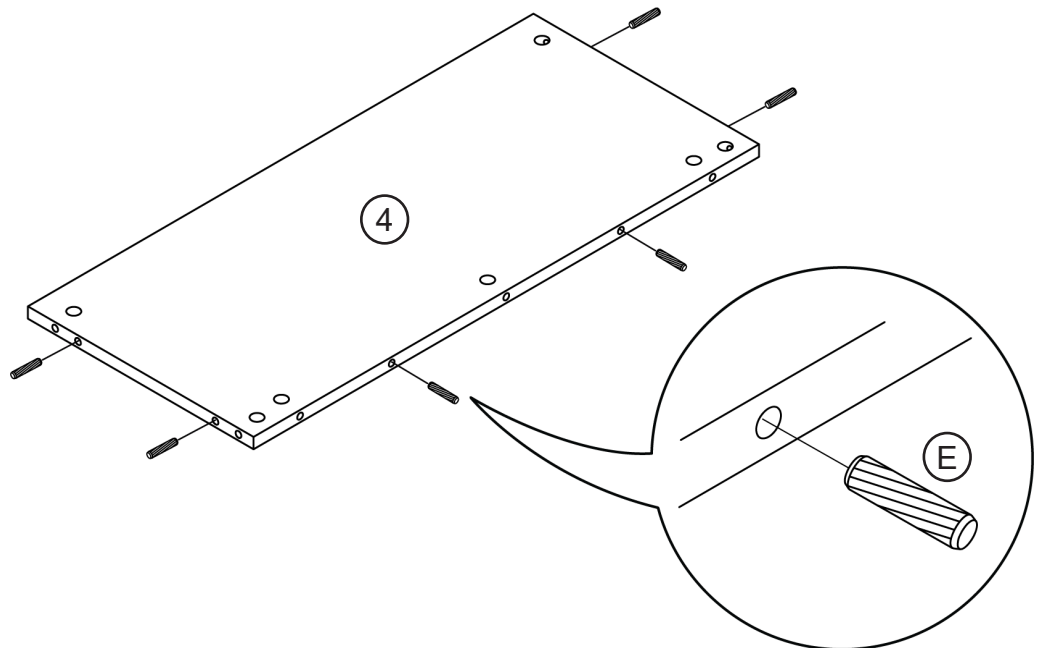


5

Attach wood dowels to the bottom panel.

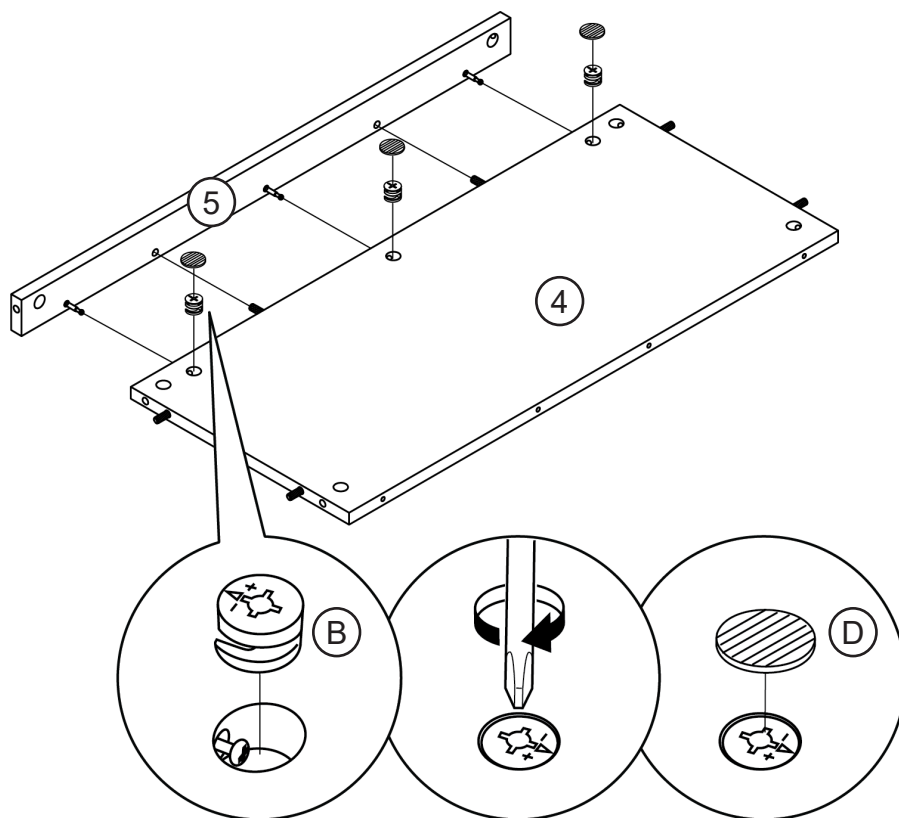
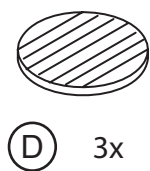
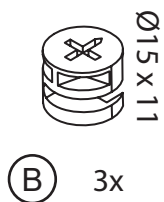


(E) 6x



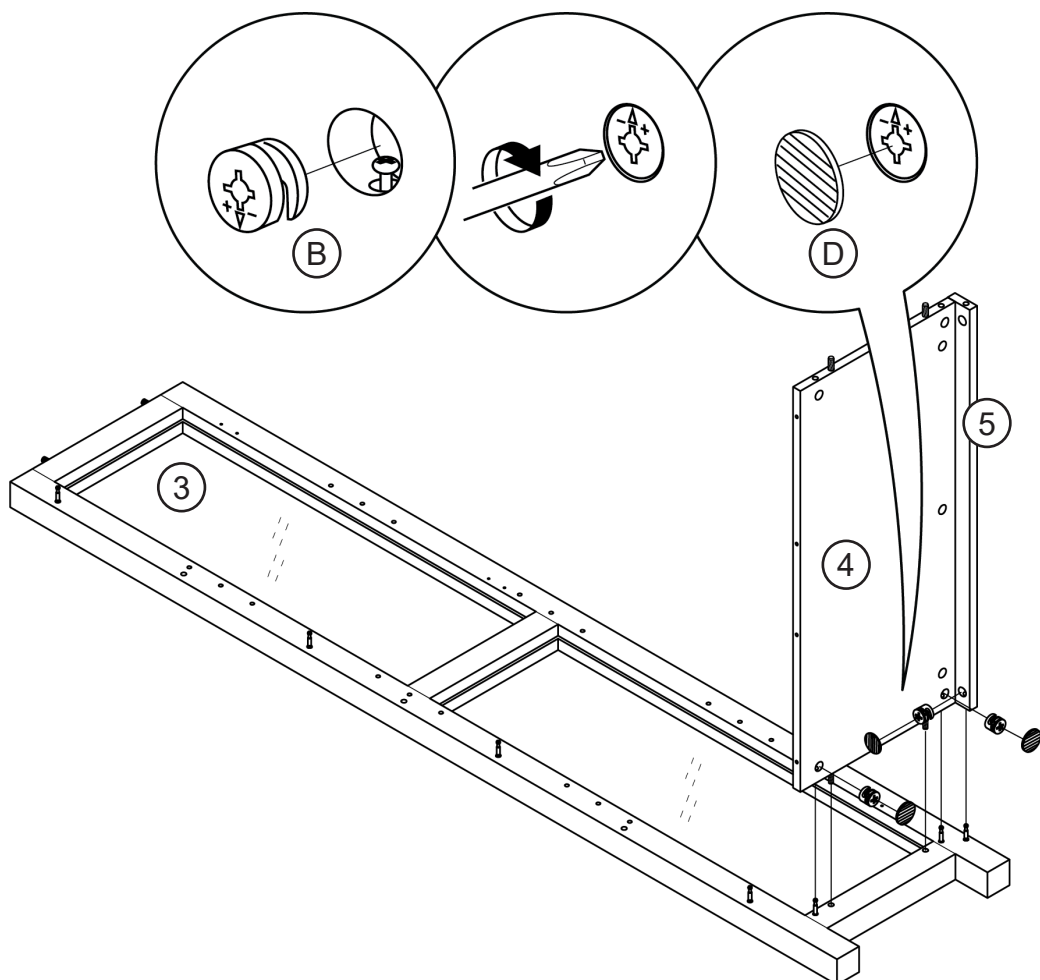
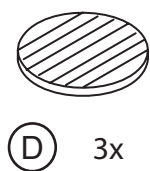
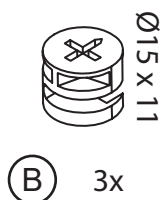
6

Attach upper and lower crossbars to the bottom panel.



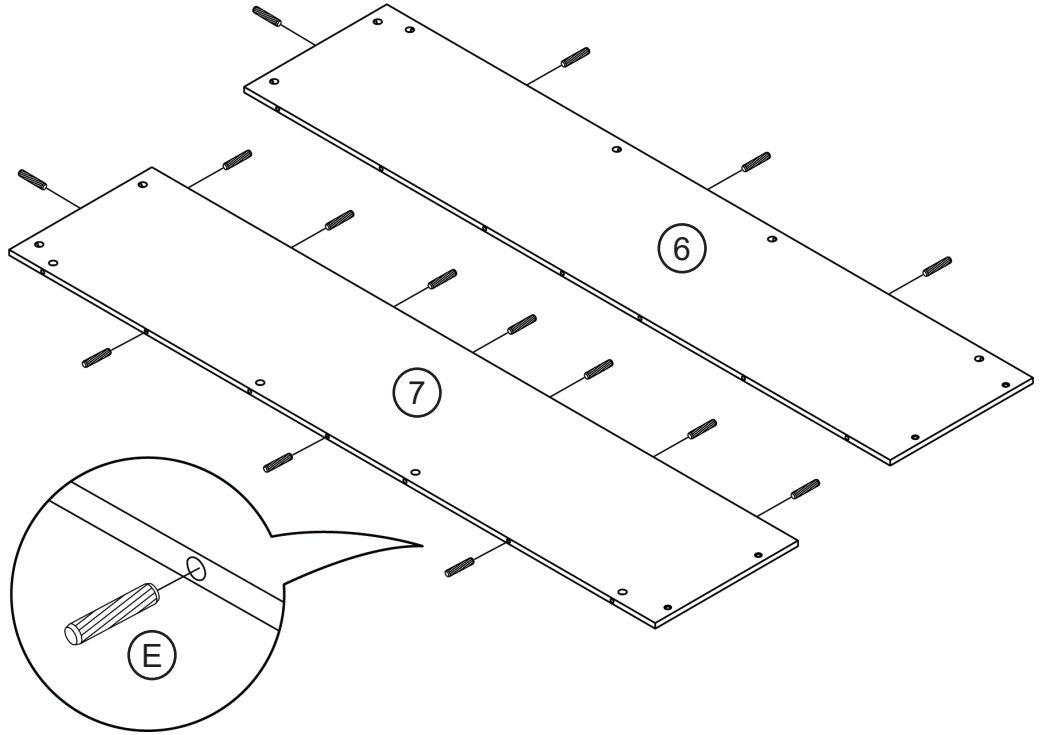
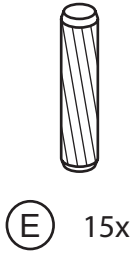
7

Assemble the bottom panel and bottom molding to the right panel.



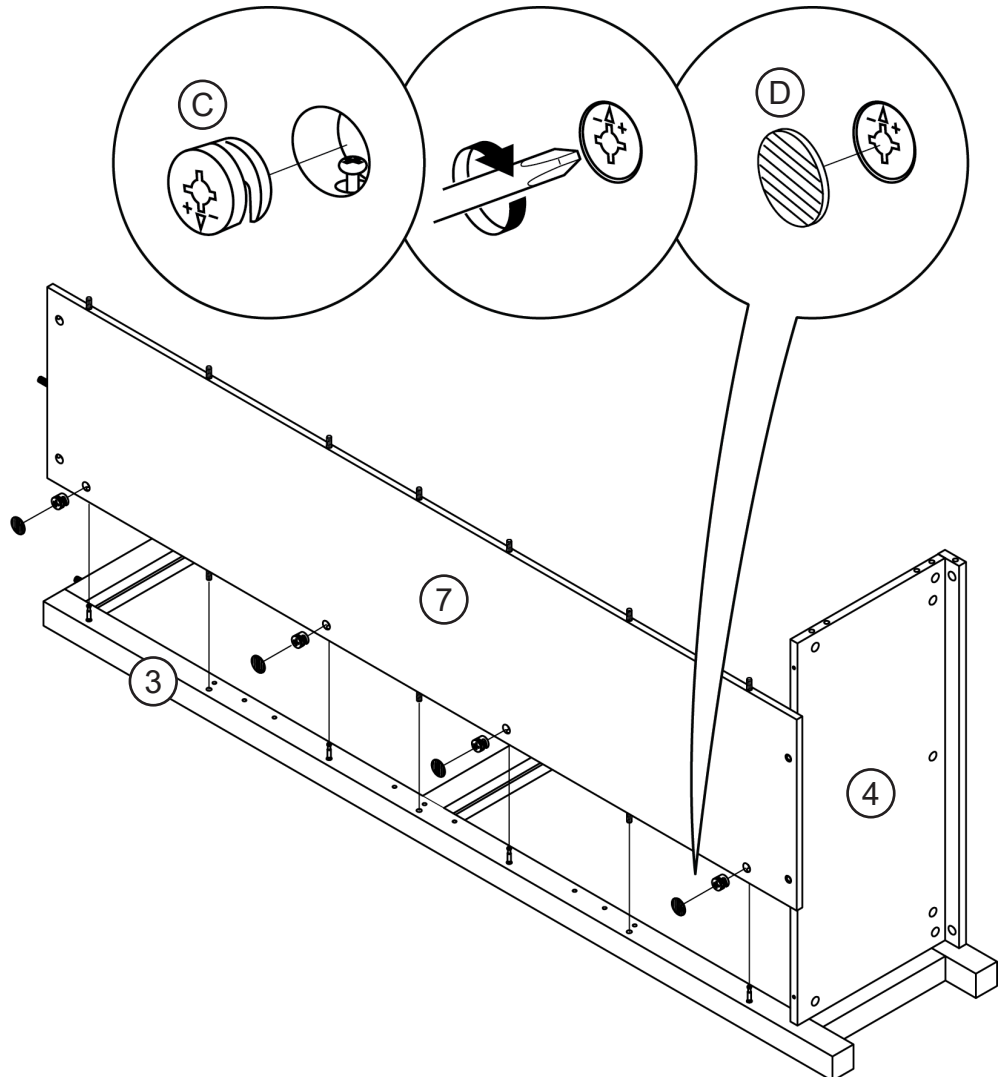
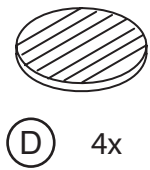
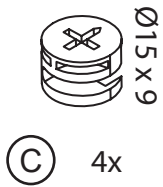
8

Attach wood dowels to the back panels.



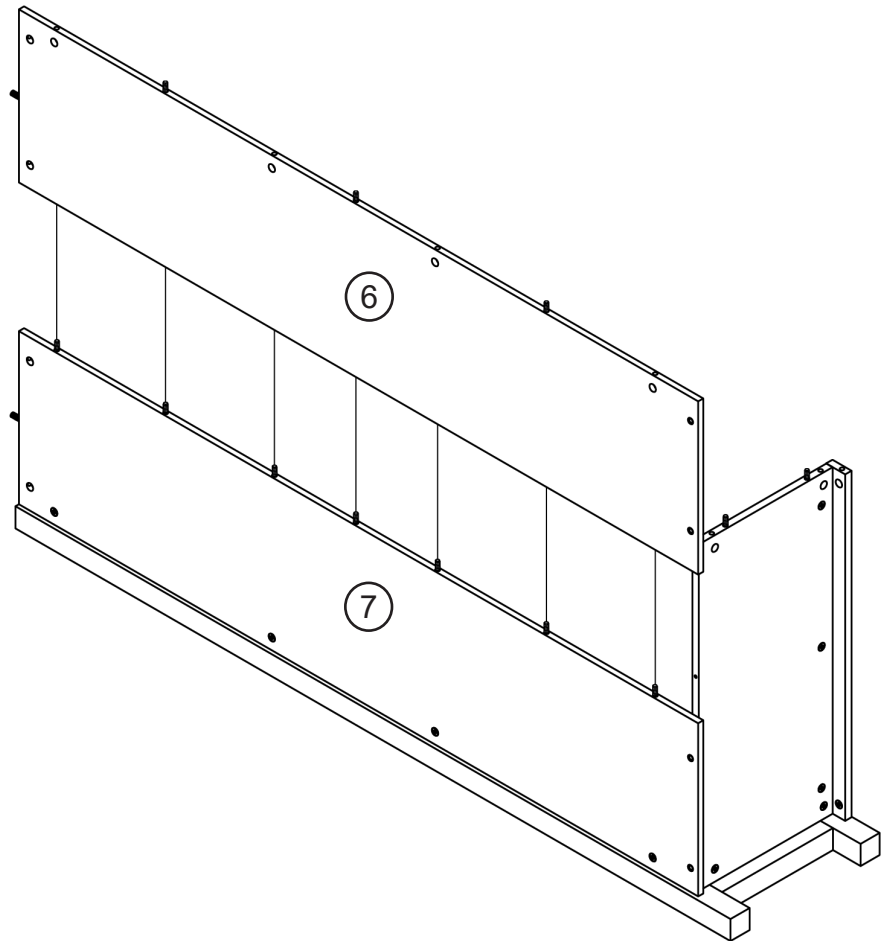
9

Attach the right back panel to the right panel.



10

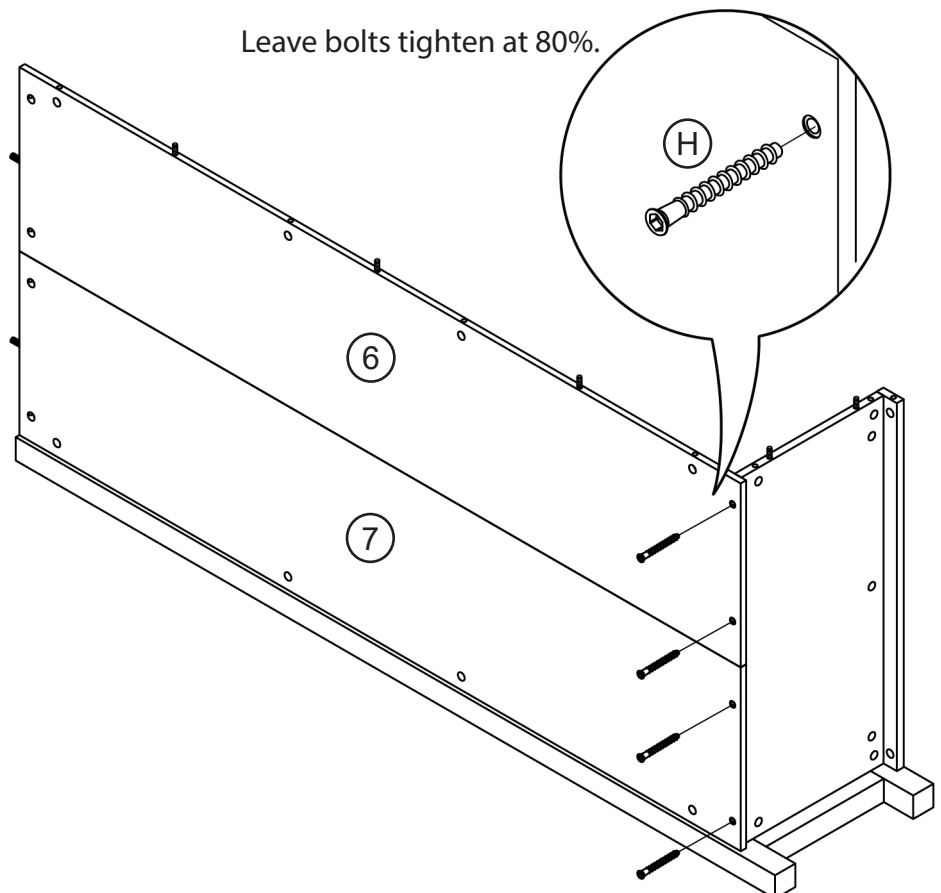
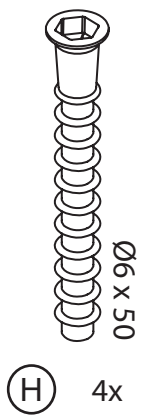
Attach the left back panel to the right back panel.



11


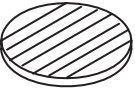
Secure the back panels to the bottom panel.

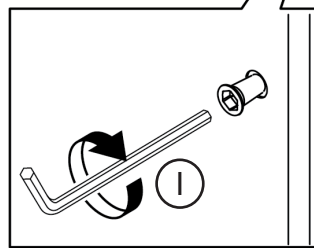
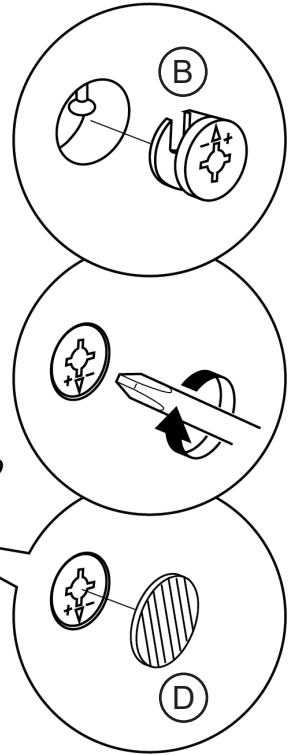
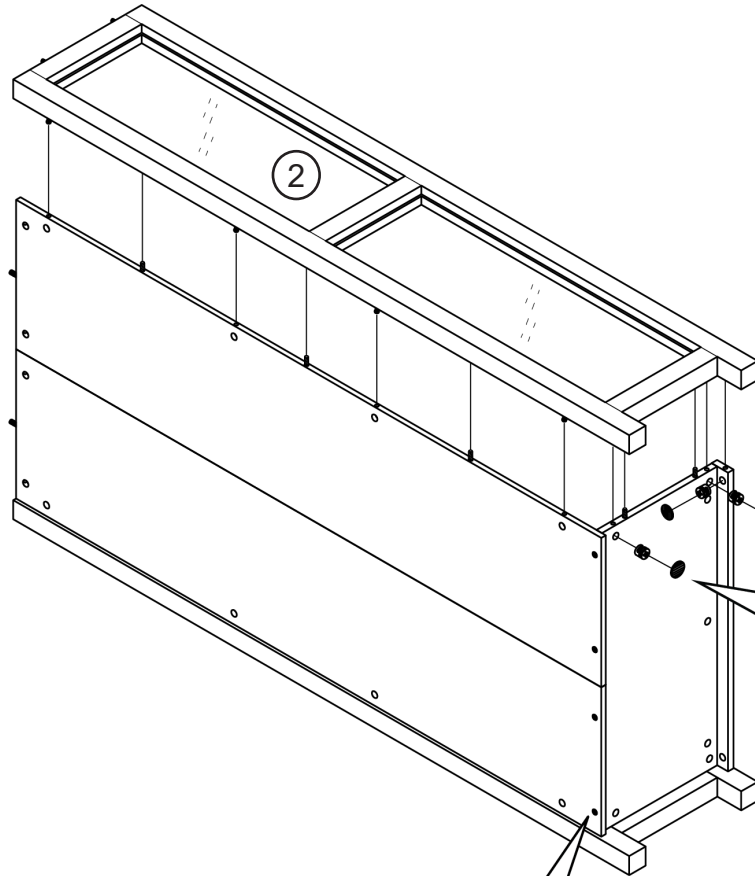
Leave bolts tighten at 80%.



12

Attach the left panel to the assembly.

-  Ø15 x 11
- (B)** 3x
- 
- (D)** 3x



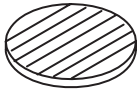
Fully tighten all the bolts.

13

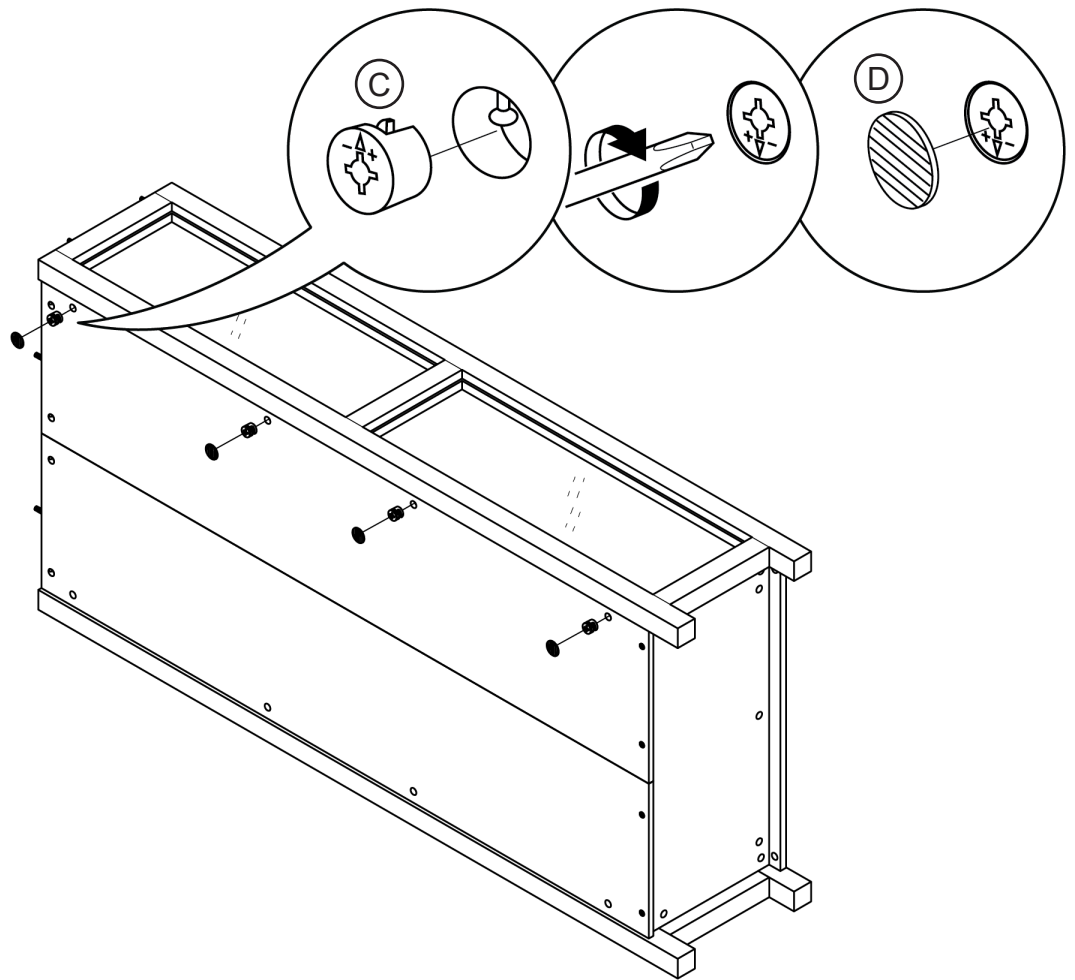
Secure the left panel to the back panel.



(C) 4x

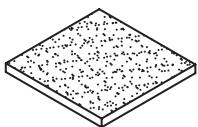


(D) 4x

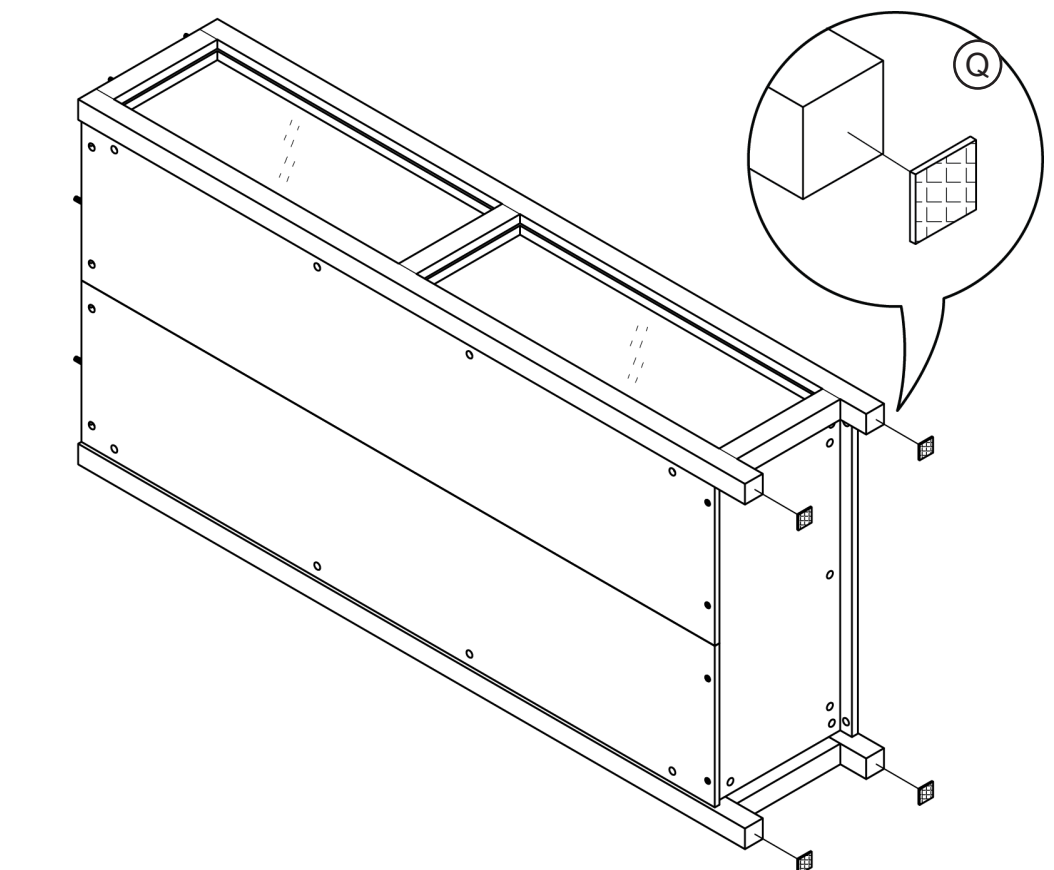


14

Attach the protection pads under the assembly.

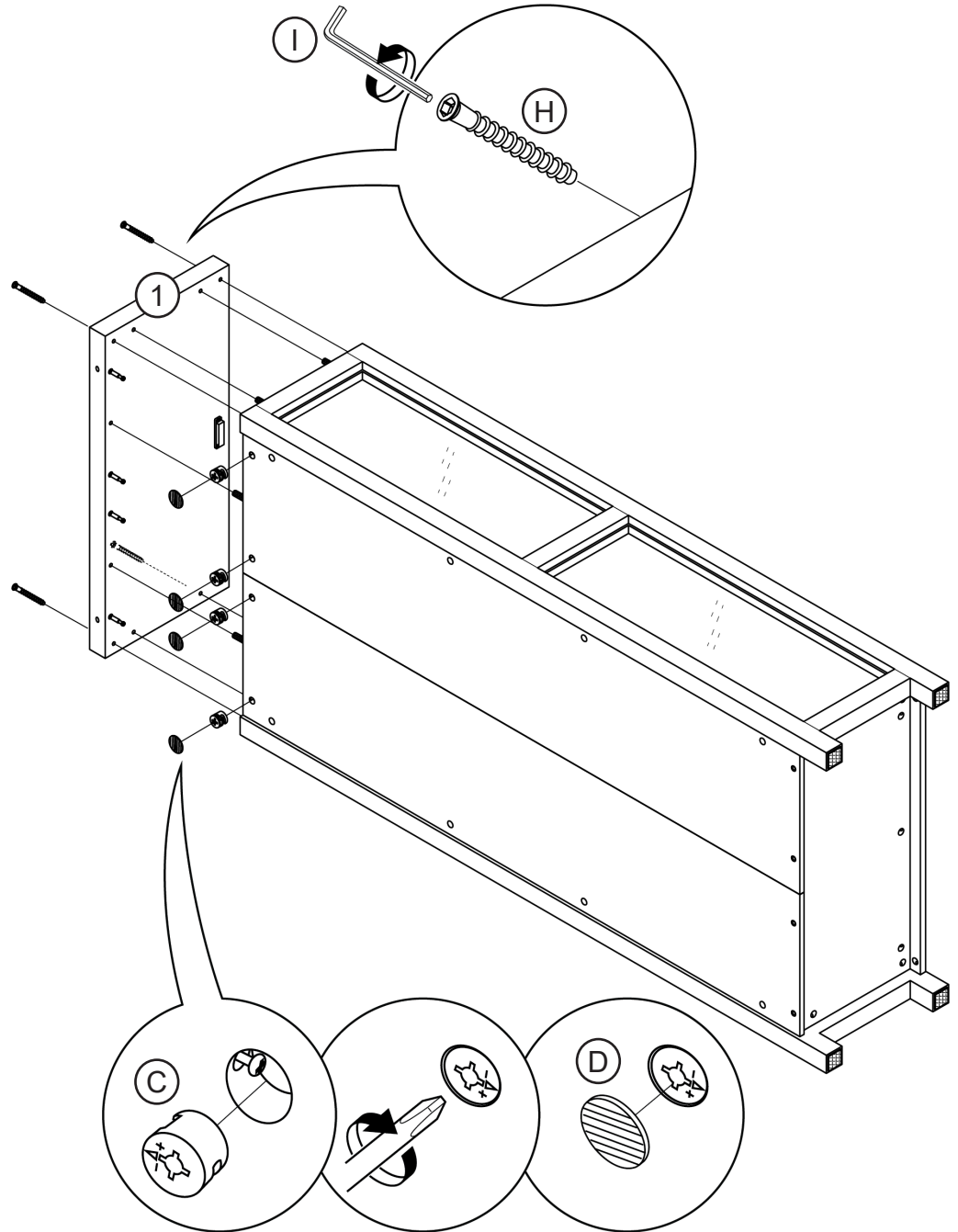
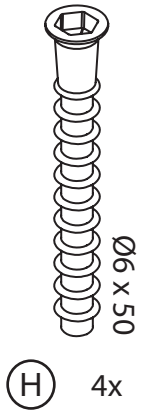
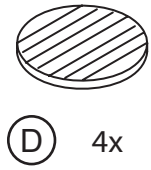
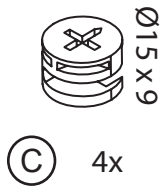


(Q) 4x



15

Attach top panel on top of the assembly.

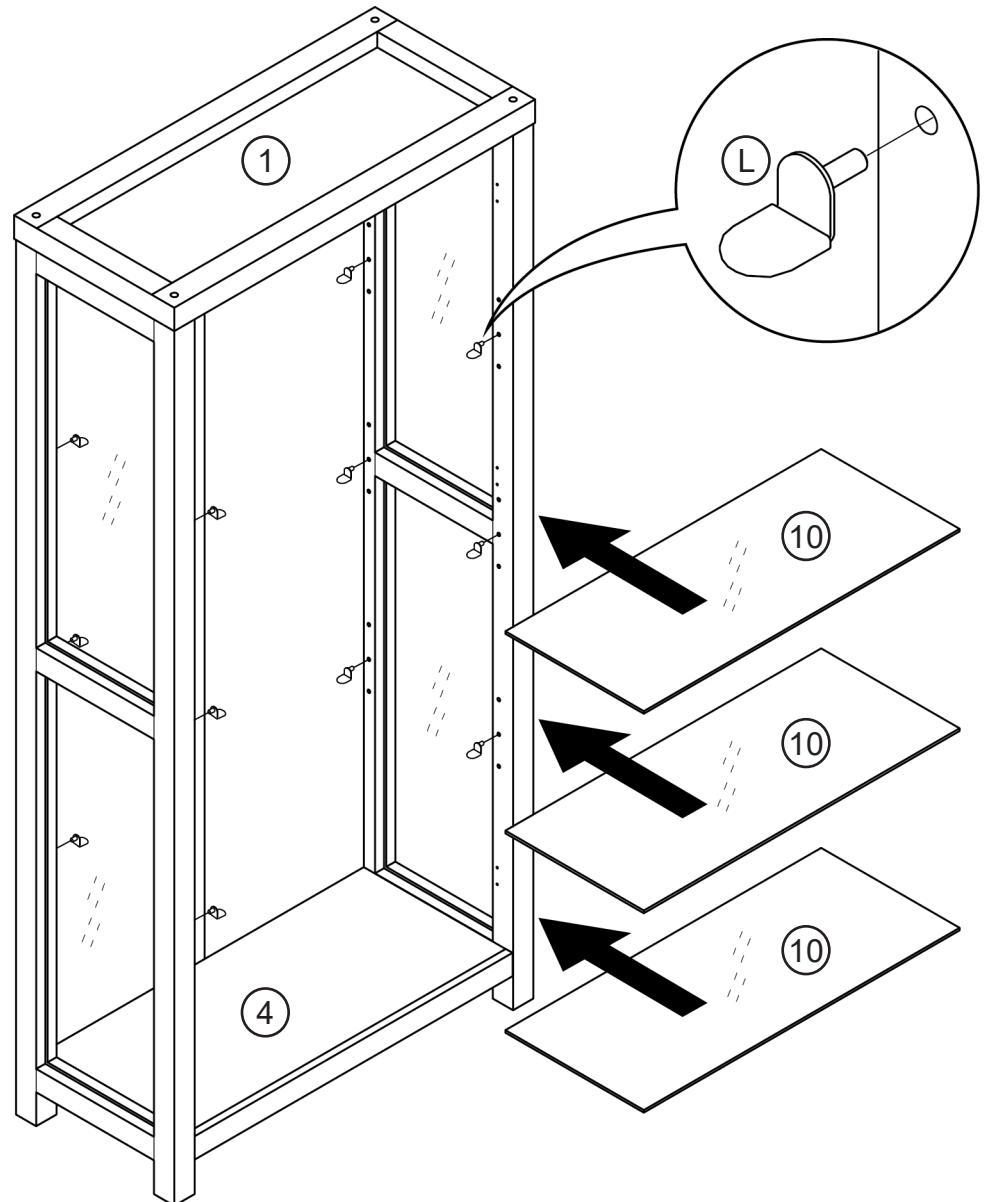


16

Insert shelf pegs inside the cabinet and put on the storage shelf panel.



(L) 12x



17

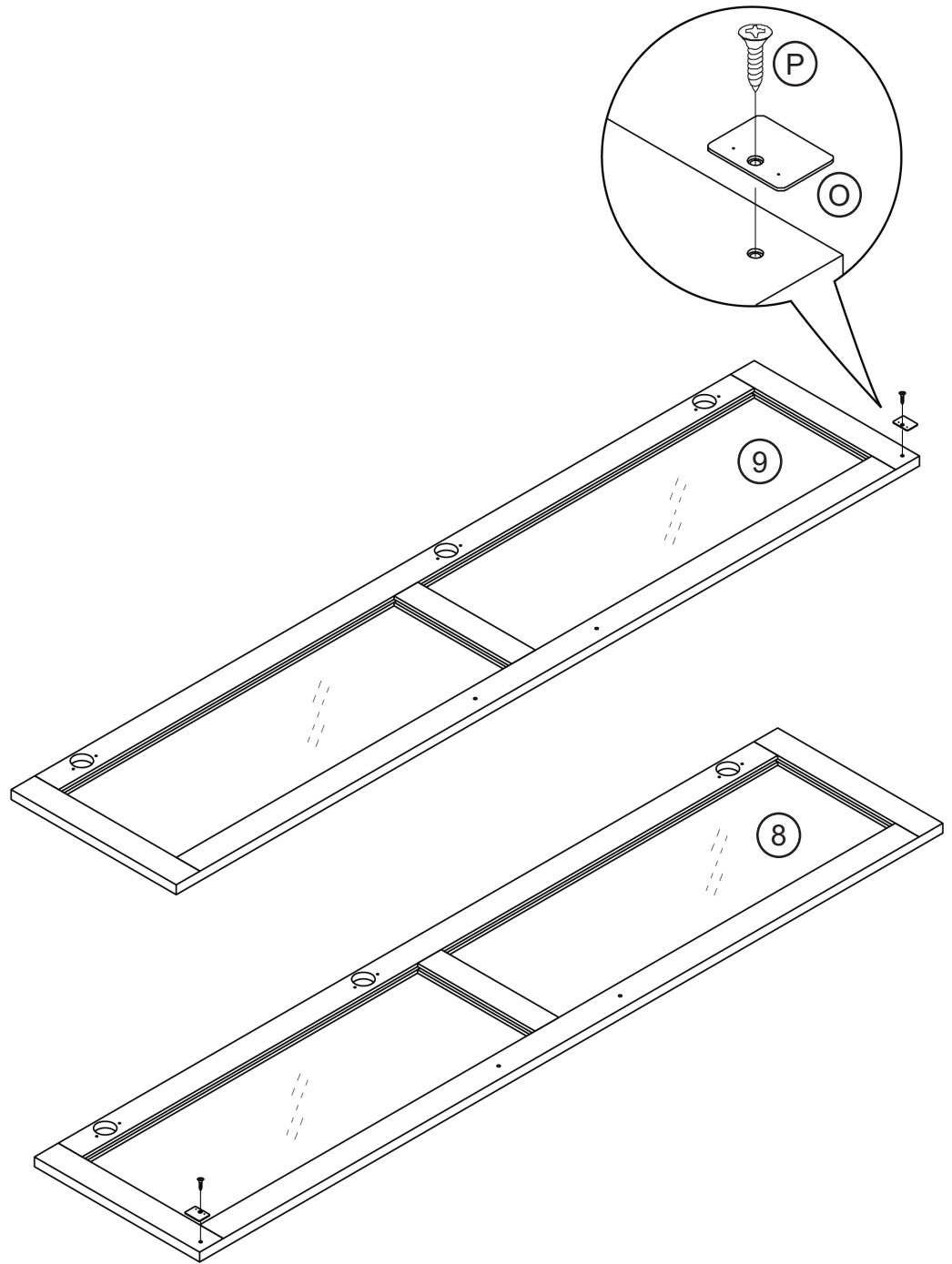
Attach the magnetic catch plates to the cabinet doors.



⓪ 2x

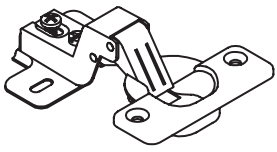


Ⓟ 2x



18

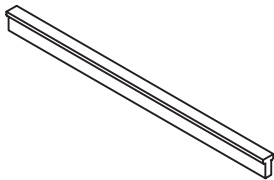
Attach the door hinges and door handles to the cabinet doors.



(F) 6x



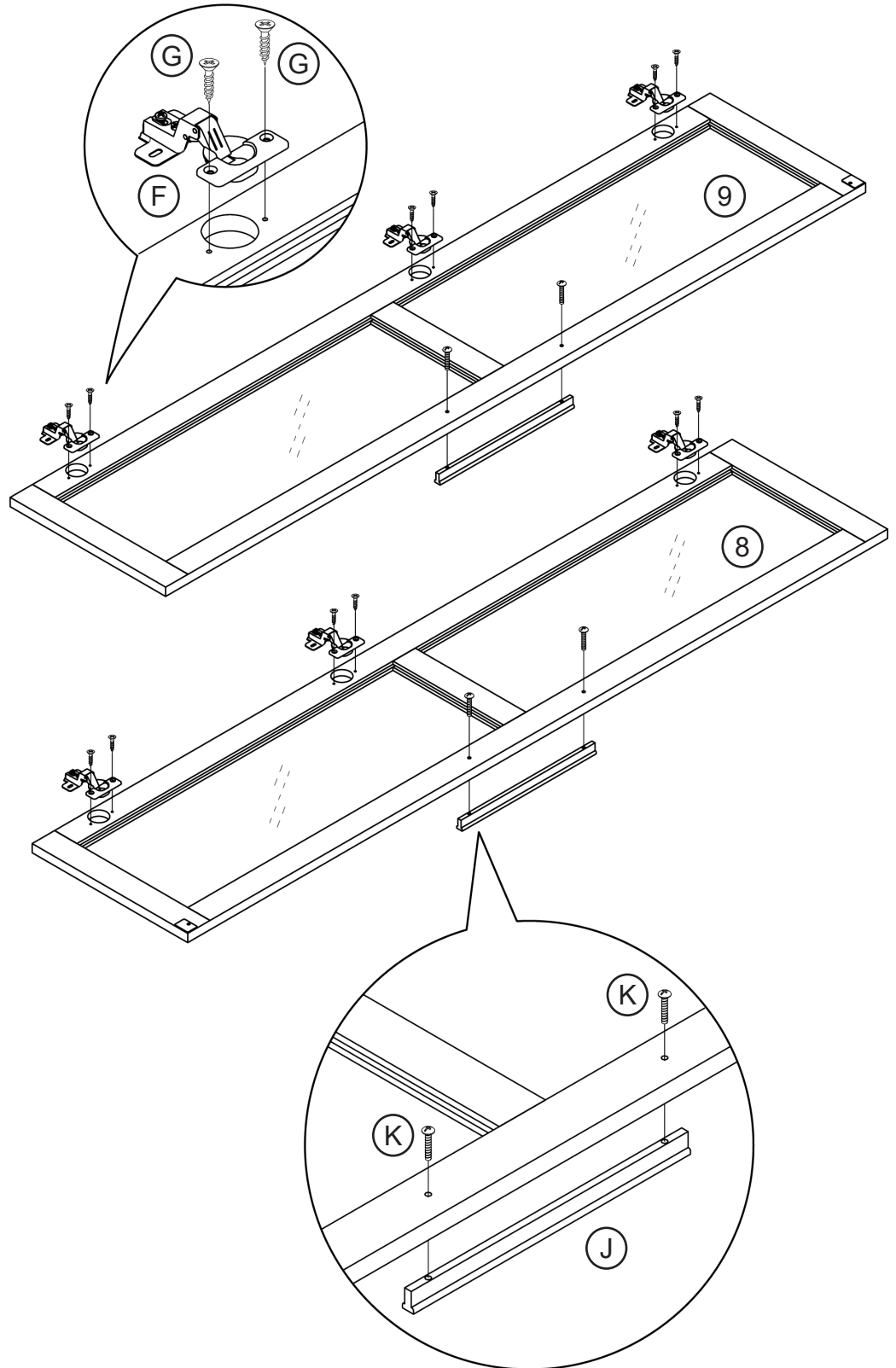
(G) 12x



(J) 2x



(K) 4x

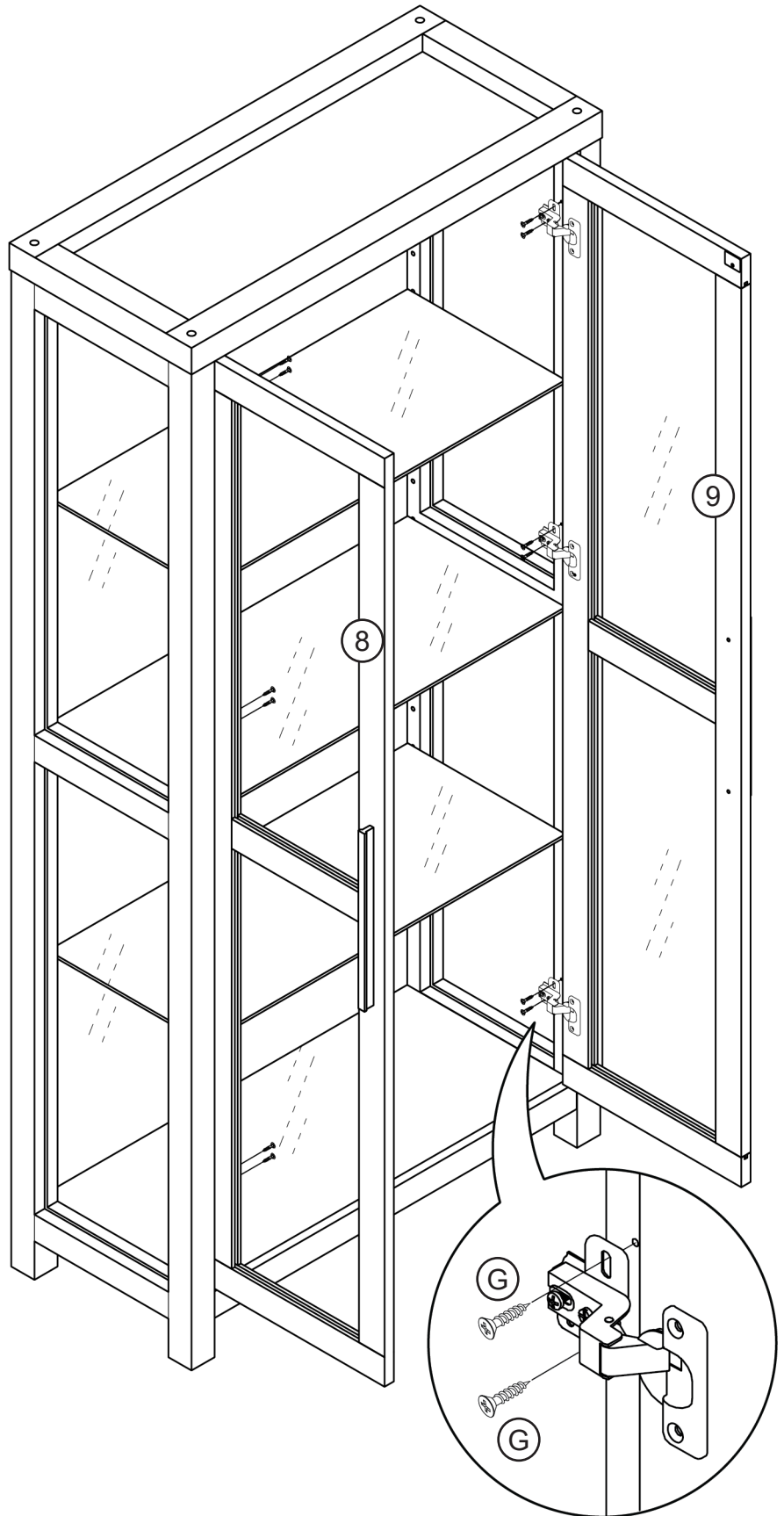


19

Attach the cabinet door to the cabinet.



ⓐ 12x



20

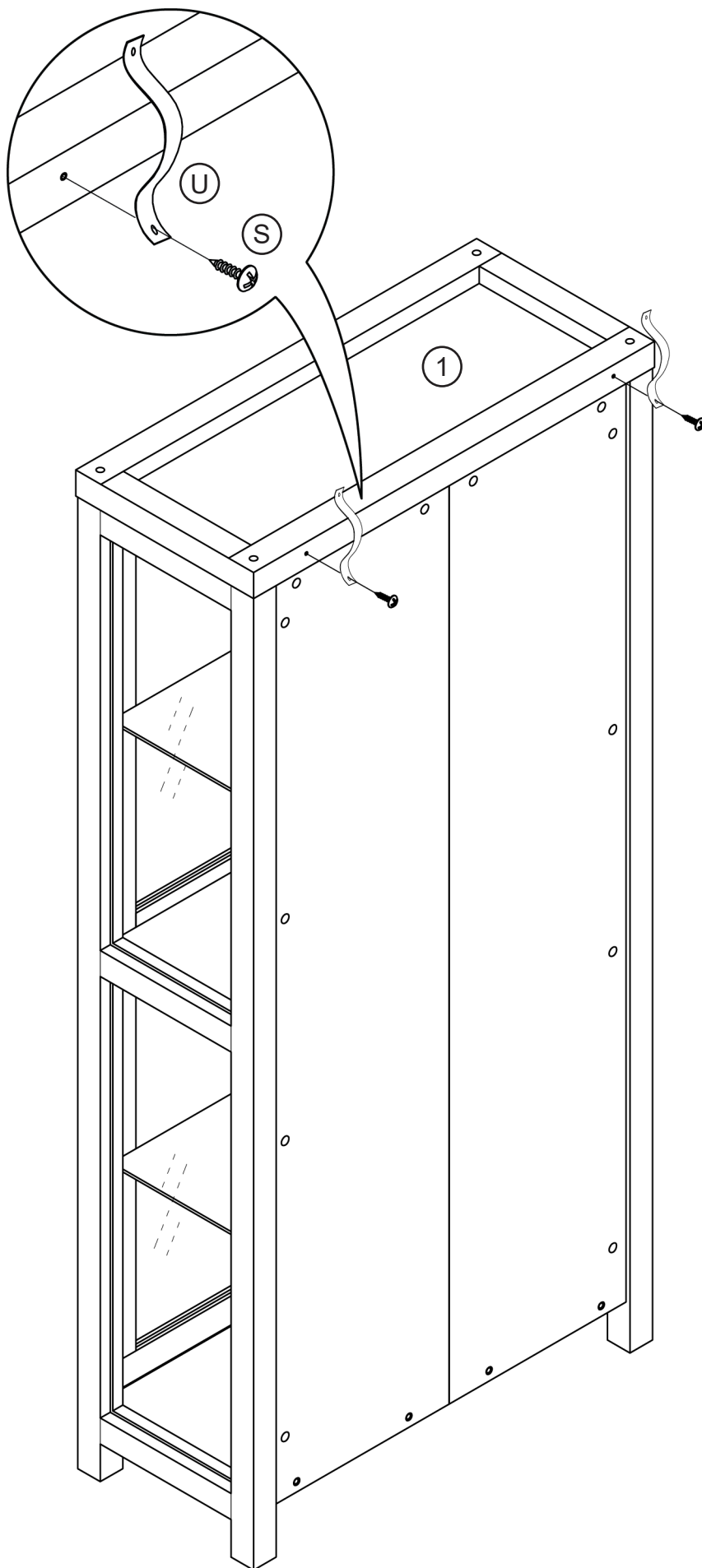
Attach the anti-tipping strap on the back of the cabinet.



Ⓢ 2x

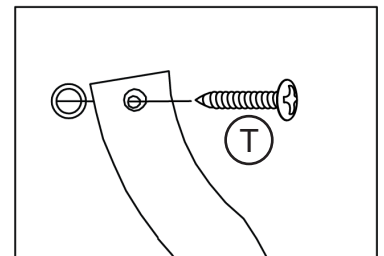
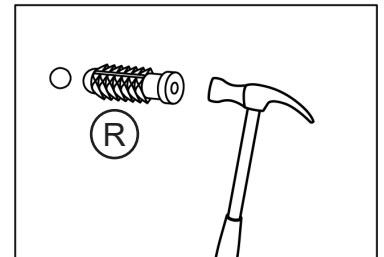
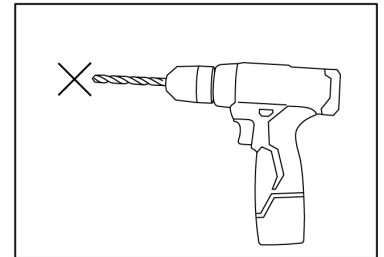
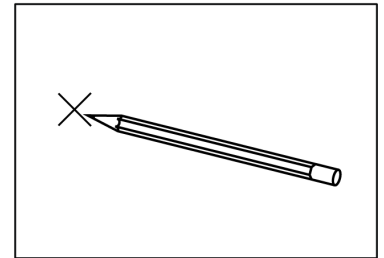
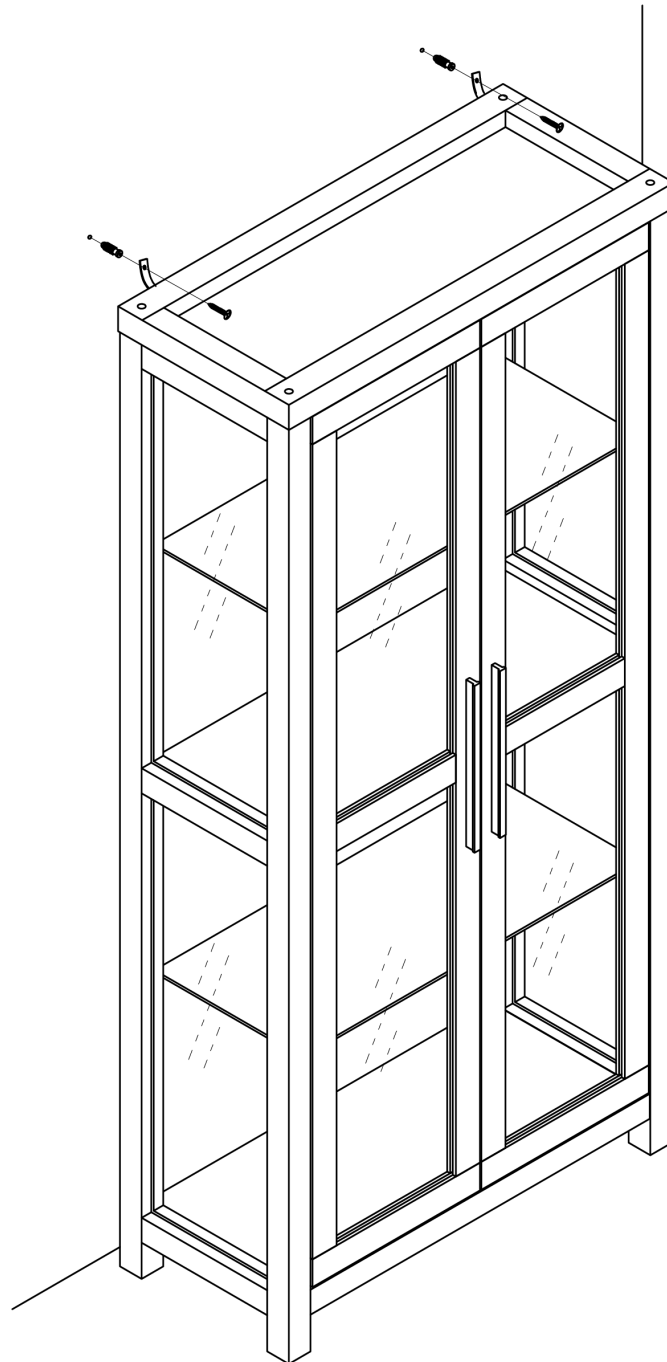
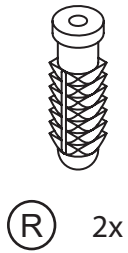


Ⓤ 2x



21

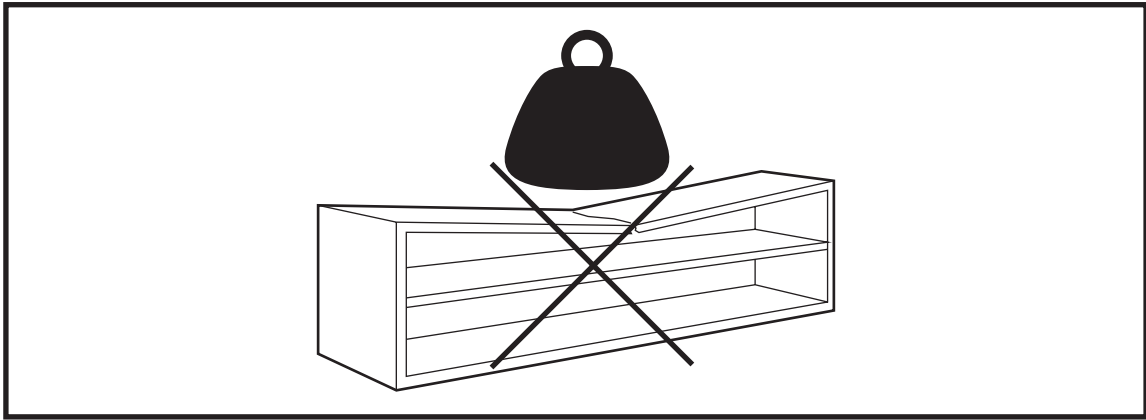
Affix the cabinet to a wall.



Furniture must permanently fixed to the wall stud with included anti-tipping device to prevent the furniture from tipping over.

- Mark the drill position on the wall with a pencil.
- Drill a small hole on the marked position.
- Insert a wall anchor into the drilled hole.
- Fixed the anti-tipping strap to the wall with provided screws.

YOU'RE FINISHED!

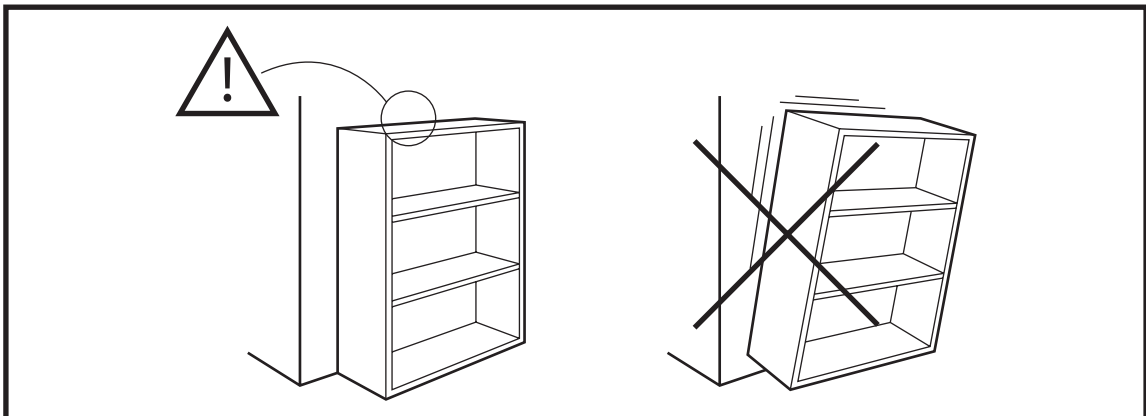


Warning

Only place items on top of the product if they meet the recommended size and weight limits.

Climbing on, stepping on, or placing overweighted objects on the product may cause property damage and/or injuries.

Items placed onto this product must be resting on a support surface without hanging over the edges.



Warning

Serious or fatal crushing injuries may occur if the furniture tip-over. Furniture must permanently affixed to the wall with included anti-tipping device in order to prevent the furniture from tipping over.

Different wall materials requires different types of wall anchors or screws. Use a suitable wall anchors or screws for your specific wall in order to secure the stability and load bearing capacity of the furniture. If you are uncertain about which type of device to use, please contact us or your local hardware store.

FURNITURE CARE AND MAINTENANCE

Medium - Density Fiberboard

Thank you for your purchase. We want your item to last as long as possible. To ensure the product gives you years of longevity, please follow the recommendations in this care and maintenance guide.



MAINTENANCE

- Tighten all bolts and screws again within the first 2 weeks of assembly.
- Check the tightness of all bolts every 2 months and tighten them if necessary.



CLEANING

- Clean the surface of the MDF (medium - density fiberboard) with a lightly dampened cloth.
- A small amount of mild soap can be used if necessary.
- Dry the surface immediately after cleaning.

⚠ DO NOT use bleach or alcohol to clean the surface.

⚠ DO NOT apply wood treatment on parts made with MDF.

MDF will swell and distort when exposed to water damage. Make sure to dry the furniture immediately after cleaning.

⚠ WARNING

The manufacturer and seller are not responsible for any and all liability relating to personal injury, property damage or losses, whether direct, indirect, or incidental, resulting from the incorrect attachment, improper use, inadequate maintenance, unapproved modification or neglect of this product.

Warranty

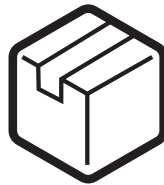
Our products come with a 1 year warranty from the date of delivery.
In any event that the product arrives damaged or missing parts,
we are more than happy to provide you with replacement part(s).

Easy Return

We work hard to make sure order arrives safe and secure, but rest assured
we will take care of it if it is not up to standard. If you need replacement parts,
or if you encounter any difficulties during the assembly, contact us.



Contact Us



Replacement



You

You don't have to worry about re-packaging / schedule pick-up.