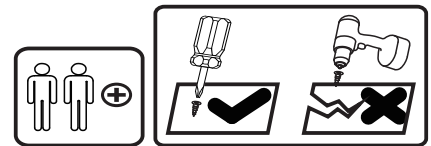


ASSEMBLY INSTRUCTIONS



Tools Recommended

THIS INSTRUCTIONS CONTAINS IMPORTANT SAFETY INFORMATION.
PLEASE READ BEFORE ASSEMBLY AND KEEP FOR FUTURE REFERENCE.

Need Parts or Assistance? Email us at support@homejoyee.com

IMPORTANT NOTICE

- This product contains small components, please ensure that they are kept away from small children.
- THIS INSTRUCTIONS CONTAINS IMPORTANT SAFETY INFORMATION. PLEASE READ BEFORE ASSEMBLY AND KEEP FOR FUTURE REFERENCE.
- Read each step carefully. It is very important that each step of instruction is performed in the correct order. If these steps are not followed in sequence, assembly difficulties will occur.
- Make sure all parts are included. Most parts are labelled or stamped on the raw edge.
- Work in spacious area, preferably on a carpet, near the place the unit will be used.
- Do not use power tools to assemble your furniture. Power tools may strip or damage the parts.
- Move your new furniture carefully, with two people lift and carry the unit to it's new location.
- Never push, drag or pull your furniture (especially on carpet)



PLEASE DO NOT RETURN PRODUCT TO US IMMEDIATELY

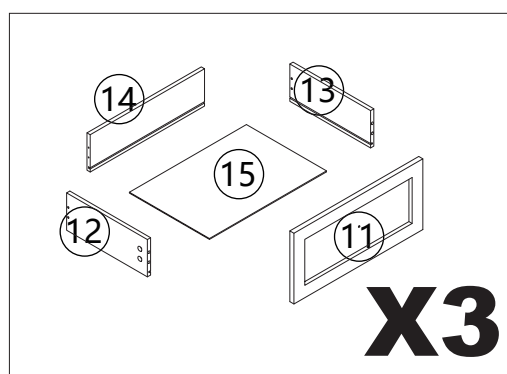
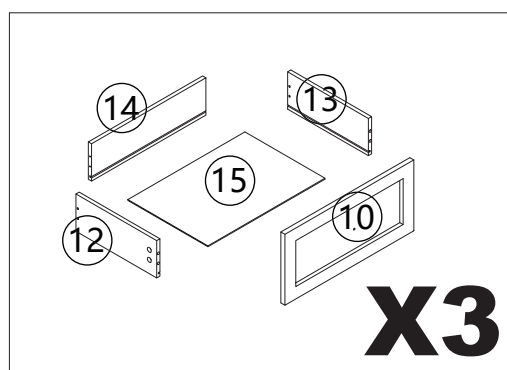
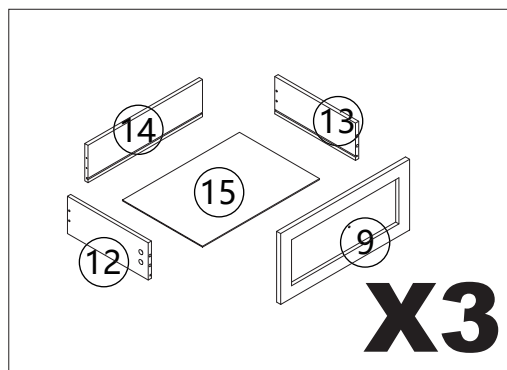
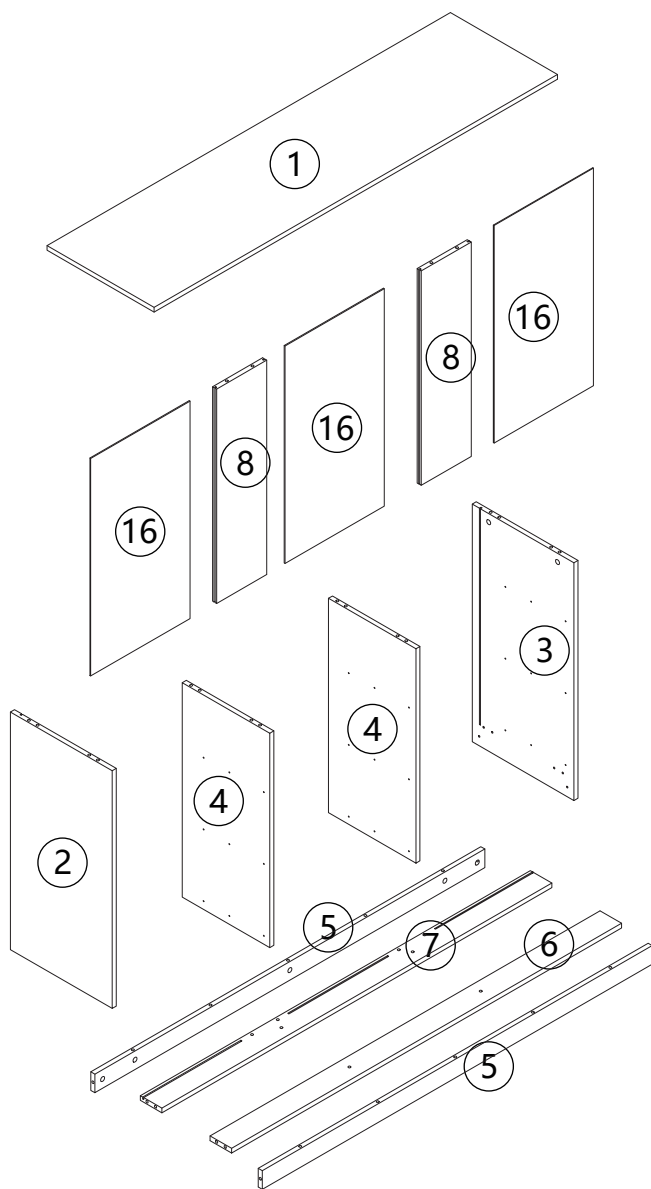
If a part is missing or damaged, email our customer service. We will gladly ship your replacement parts FREE of charge.








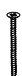


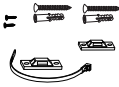





Need Parts or Assistance? Email us at [**support@homejoyee.com**](mailto:support@homejoyee.com)

For Prompt, reliable service, please have your assemble instruction ready.

 WARNING	
	<p>Children have died from furniture tipover. To reduce the risk of furniture tipover:</p> <ul style="list-style-type: none">• ALWAYS install tipover restraint provided.• NEVER put a TV on this product.• NEVER allow children to stand, climb or hang on drawers, doors, or shelves.• NEVER open more than one drawer at a time.• Place heaviest items in the lowest drawers.
	

Packing list

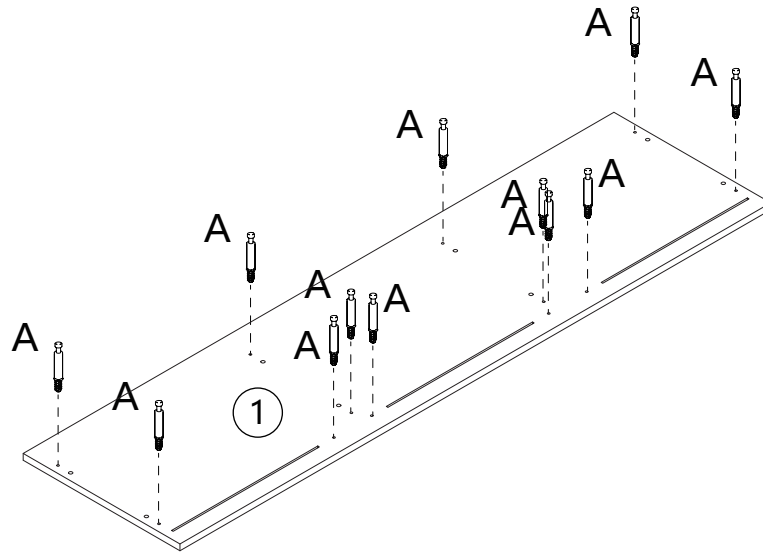


A	X 66	B	X 30	C	X 36	D	X 12	E	X 8	F	X 1	G	X 102
													
M6*35		Φ15*12		Φ15*10		Φ8*40		M6.3*50		M4*18		M4*14	
H	X 36	I	X 9	J	X 9	K	X 2	L	X 12	CL	X 9	CR	X 9
													
M4*40													
DL	X 9	DR	X 9										
													

STEP1

Insert quickfit screws(A) into corresponding holes in part 1 as shown.

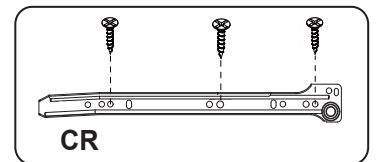
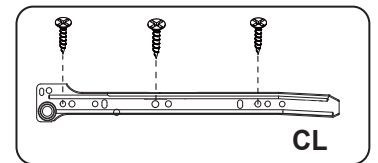
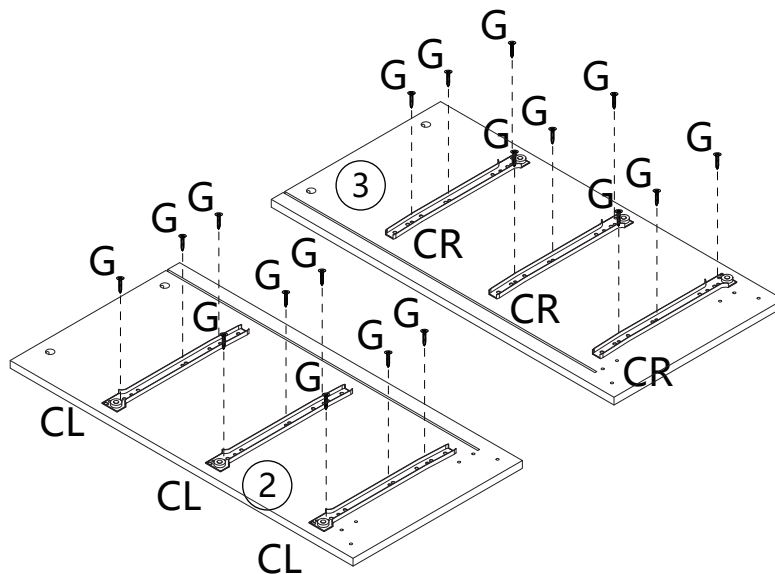
A	X 12
M6*35	



STEP2




Fix left outer drawer runner (CL) and right outer drawer runner (CR) to parts 2 and 3 using screws (G),as shown.

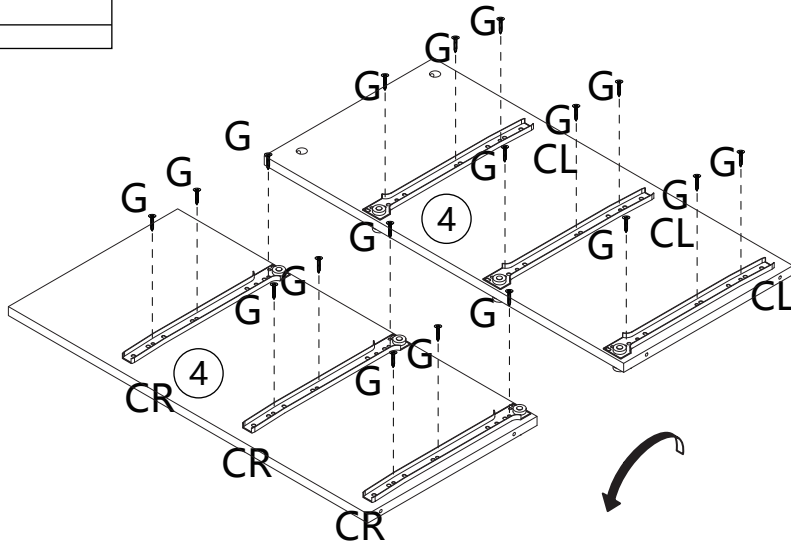
G	X 18	CL	X 3



STEP3

Fix right outer drawer runner (CR) to part 4 using screws (G) , then flipping part 4 180 degrees horizontally to fix left outer drawer runner (CL)


G	X 36	CL	X 6
			
CR	X6		
			

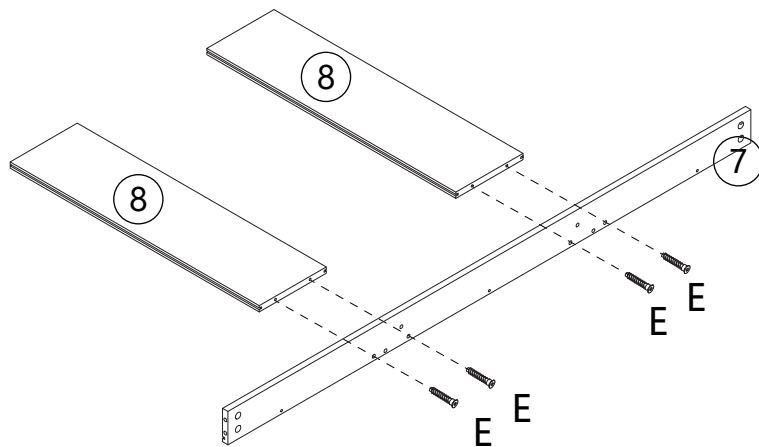


X2




STEP4

Connect the 7th and 8th plates with screw E.

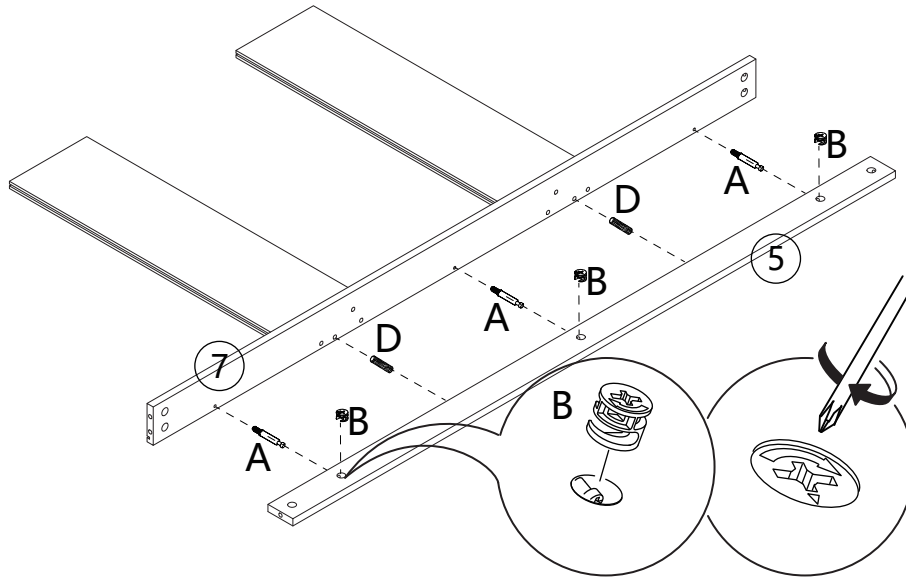
E	X 4
	
M6.3*50	






STEP5

A	X 3	B	X 3
			
M6*35		Φ15*12	
D	X 2		
			
Φ 8*40			

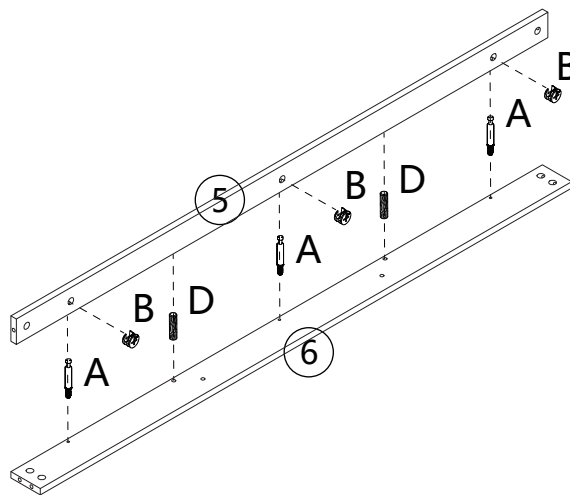
Insert wooden dowels (D) into assembled unit, as shown. Screw screw A into plate 7, attach part 5 to as ssembled unit using screws (B), as shown



STEP6


A	X 3	B	X 3
			
M6*35		Φ15*12	
D	X 2		
			
Φ 8*40			

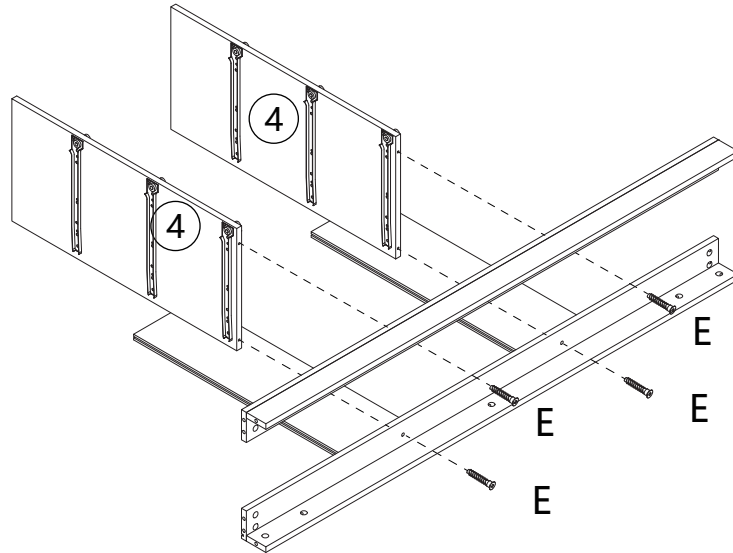
Insert wooden dowels (D) into assembled unit, as shown. Screw screw A into plate 6, attach part 5 to as ssembled unit using screws (B), as shown



STEP7

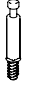

Attach part 4 to as ssembled unit using screws (E), as shown

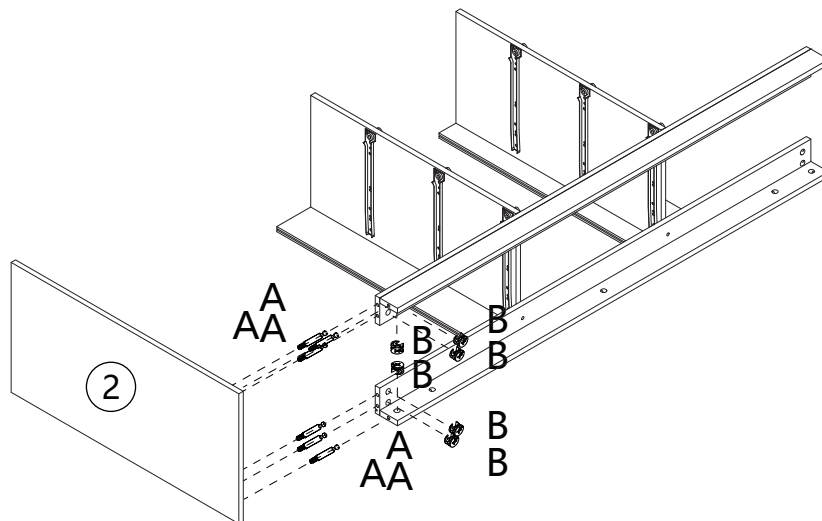
E	X 4
	
M6.3*50	



STEP8



Screw A into plate 2, attach part 2 to as ssembled unit using screws (B), as shown

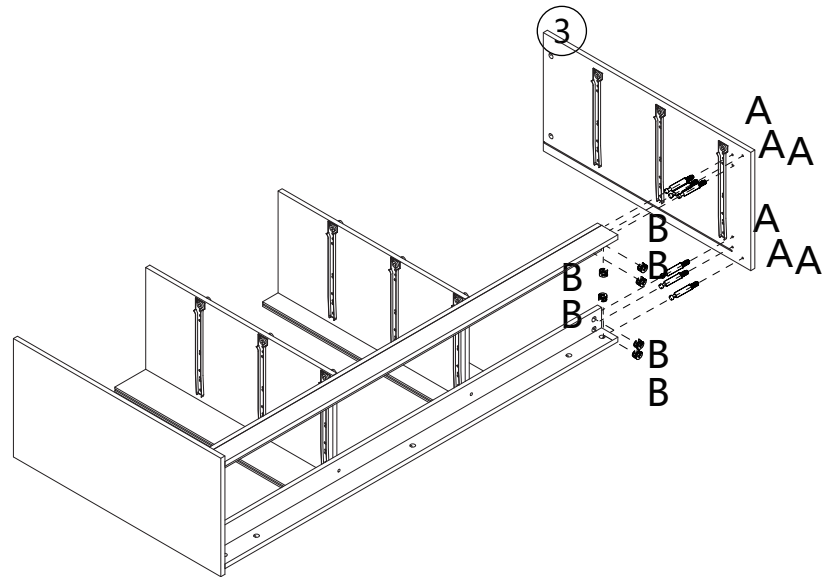
A	X 6	B	X 6
			
M6*35		Φ 15*12	



STEP9

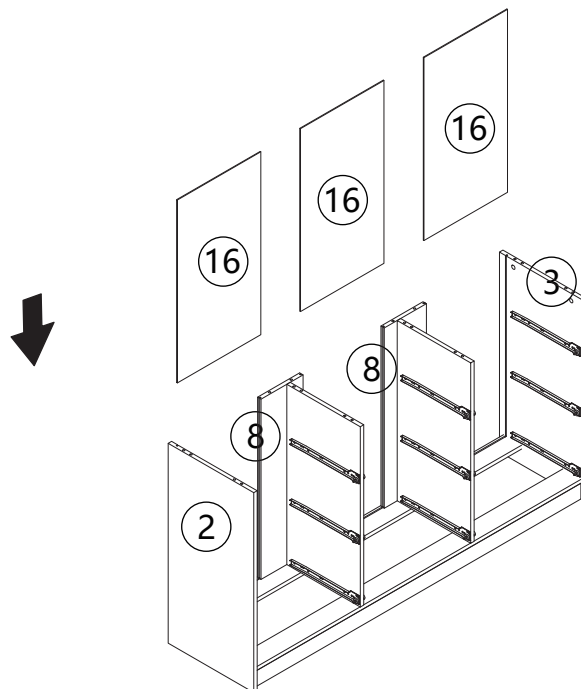
Screw A into plate 3, attach part 3 to assembled unit using screws (B), as shown

A	X 6	B	X 6
			
M6*35		Φ 15*12	





STEP10

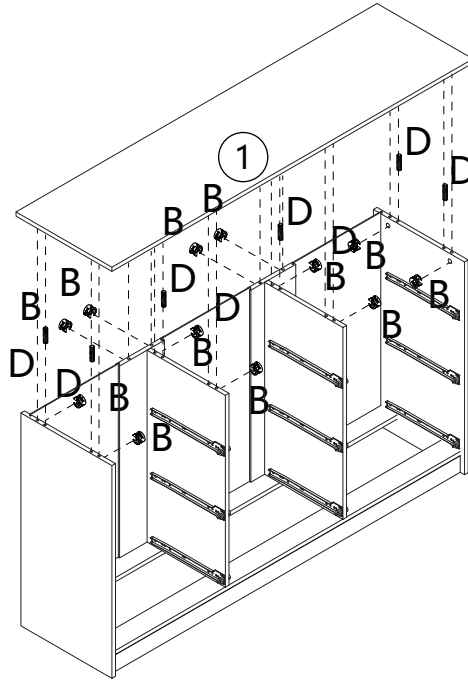
Slide part 16 into available slots of parts 2, 3, 4 and 8 as shown.




STEP 11

B	X 12	D	X 8
			
Φ15*12		Φ 8*40	

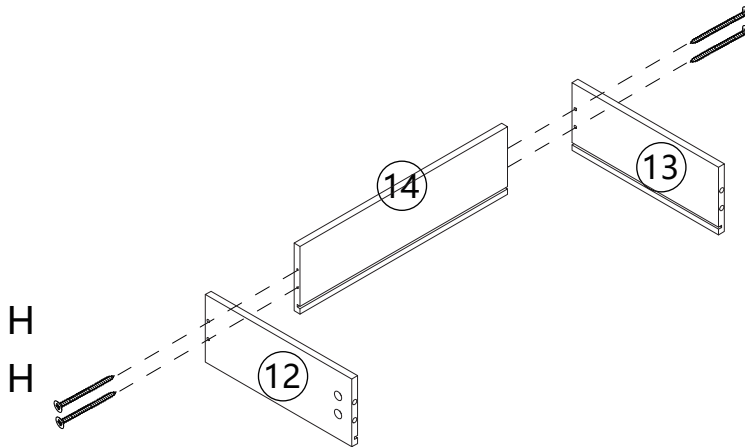
Insert wooden dowels (D) into part 1, as shown. Add cam locks (B) into assembled unit as shown. and attach part 1 to assembled unit. Turn cam locks clockwise to tighten.



STEP 12

H	X40
	
M4*40	

Connect the 12, 13, and 14 plates with screw H.



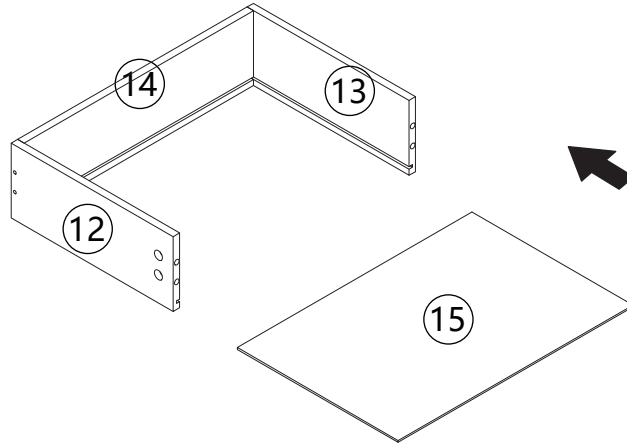
H
H

X9

STEP13

Slide part 16 into available slots of parts 12,13 and 14,as shown.

X9

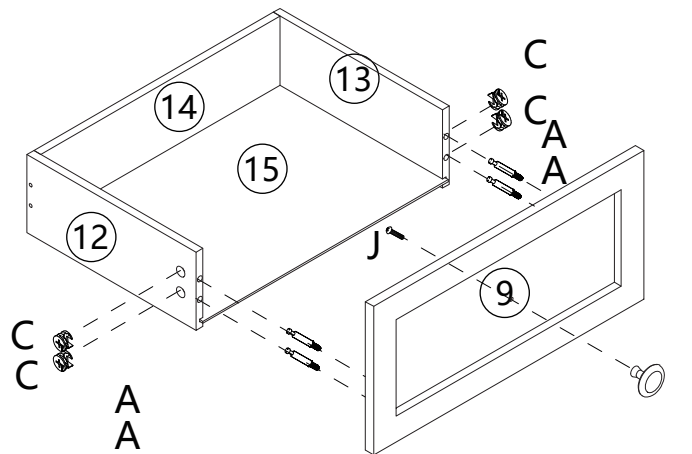


STEP14

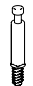



Screw accessory A into board 9, then connect board 9 to boards 12 and 13 with accessory C. Finally, thread screw J through board 9 and connect it to handle I.

X3

A	X12	C	X12
M6*35		Φ15*10	
I	X3	J	X3

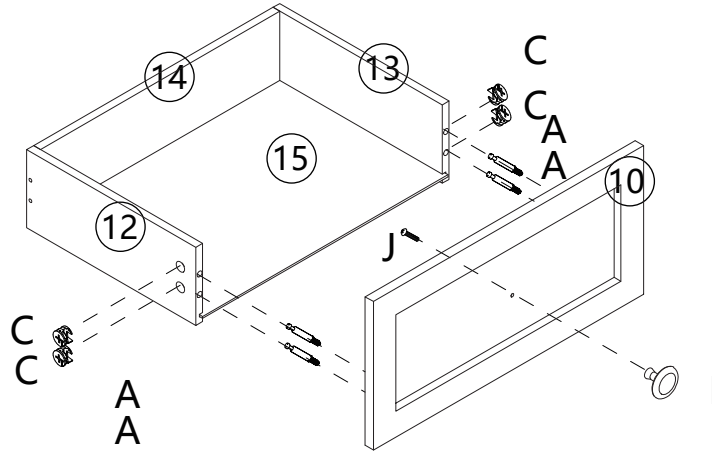


STEP15

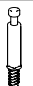



A	X12	C	X 12
			
M6*35		Φ15*10	
I	X3	J	X3
			

Screw accessory A into board 10, then connect board 10 to boards 12 and 13 with accessory C. Finally, thread screw J through board 10 and connect it to handle I.

X3

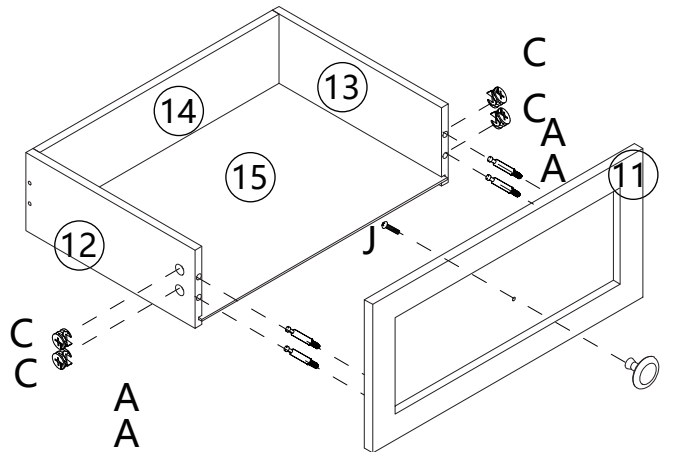


STEP16

A	X12	C	X 12
			
M6*35		Φ15*10	
I	X 3	J	X3
			




Screw accessory A into board 11, then connect board 11 to boards 12 and 13 with accessory C. Finally, thread screw J through board 11 and connect it to handle I.

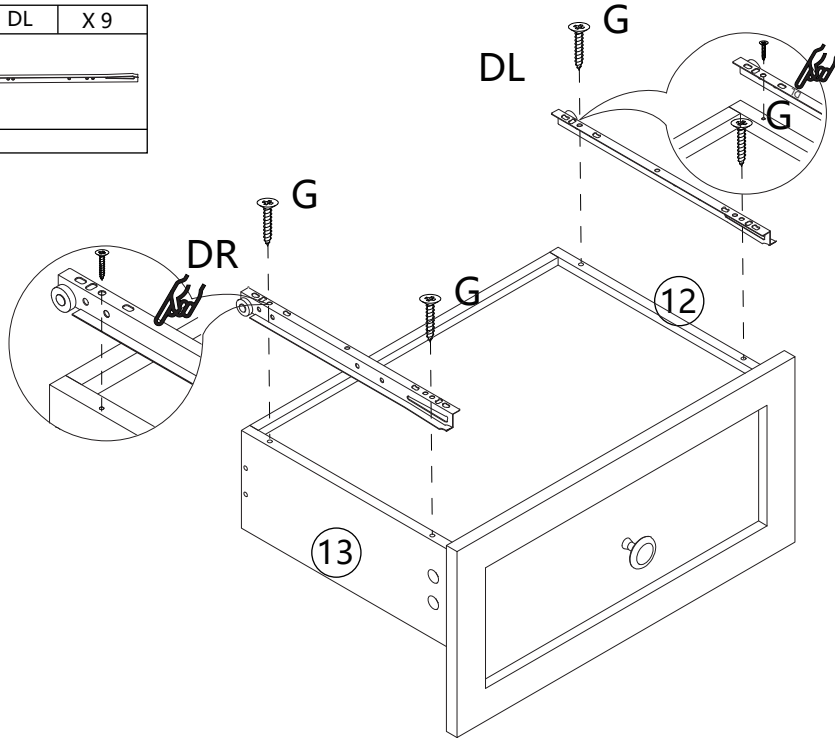
X3



STEP17

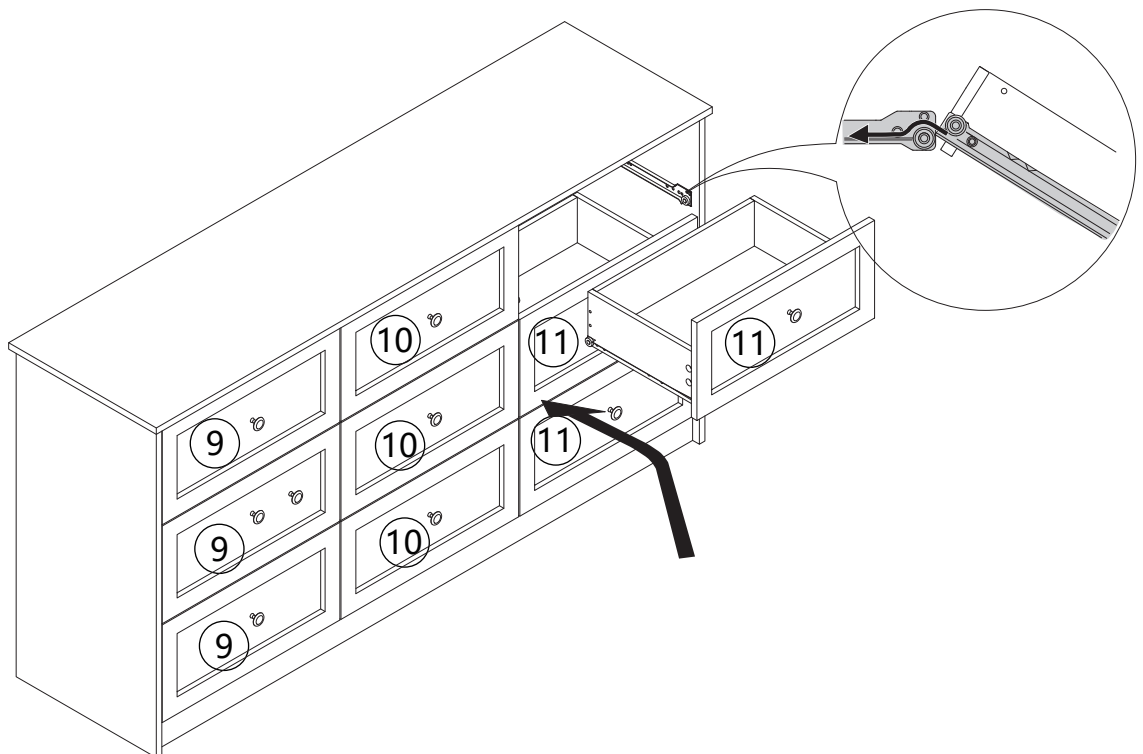
Fix left inner drawer runner (DL) to part 12 and fix right inner drawer runner (DR) to part 13 using screws (G), as shown.

G	X 36	DL	X 9
			
DR	X 9		
			





STEP18

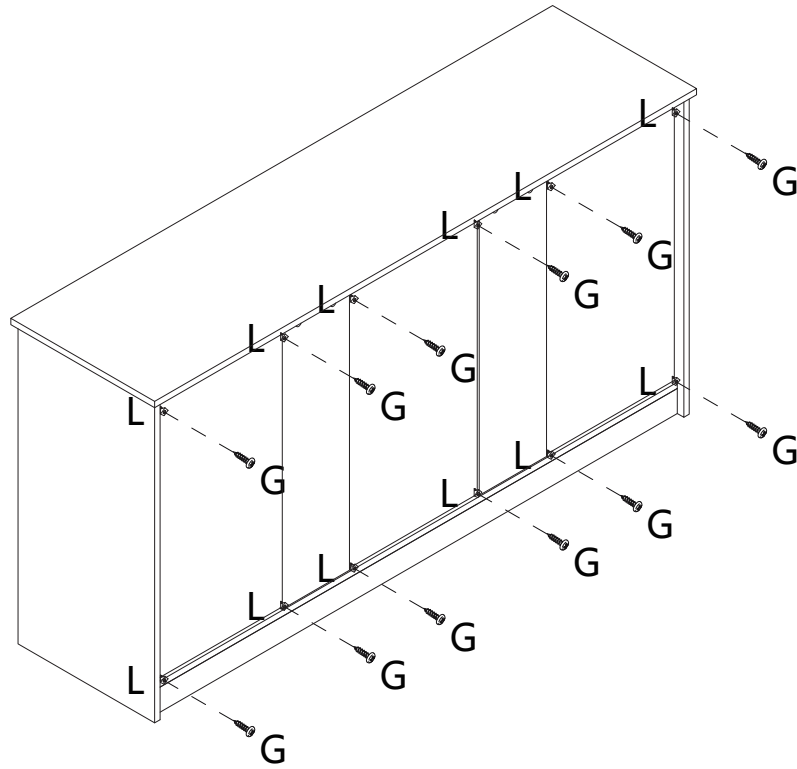
The drawer slides must be aligned with the internal rails, otherwise the drawer will tilt.



STEP19

Attach wedges (L) as shown using screws.

G	X 12	L	X 12
			



STEP20

K	X 2
