

Installation



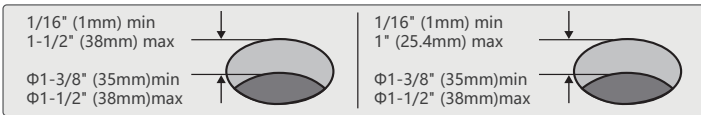
CAUTION: Always shut off the water supply before removing or replacing any part of a faucet. Open the handle to relieve water pressure and ensure that the water is completely shut off.

• Before Installation

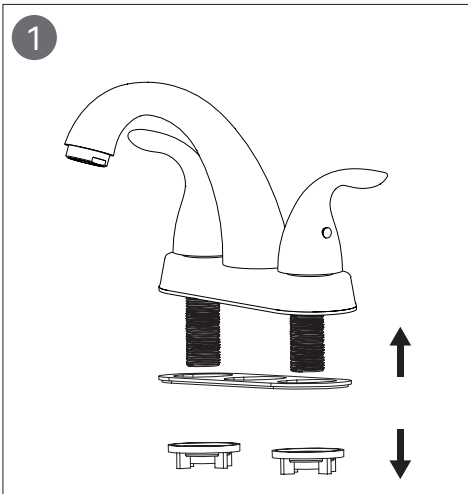
A. Make sure you have all necessary parts by checking the diagram and parts list.
 B. Turn off the hot and cold water supply hose at the angle and turn on the old faucet to release any built up pressure. Remove old faucet.
 Clean sink or counter top preparation for new faucet.

C. Shut off angle stops valve.

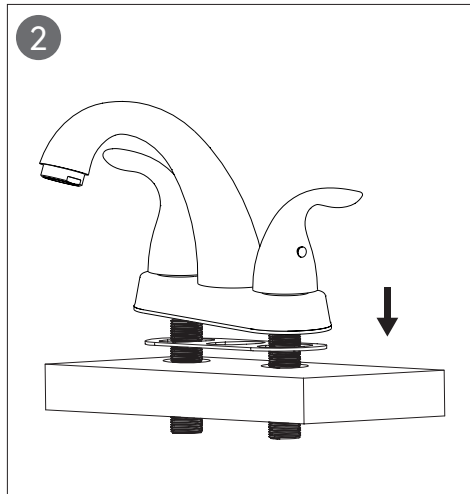
D. Pre-drilled hole size requirement: 1-3/8" (min)-1-1/2" (max)
 Max counter top thickness without deck plate: 1-1/2" (1 hole install)
 Max counter top thickness with deck plate: 1" (1, 2 or 3 hole install)



• Installation Steps

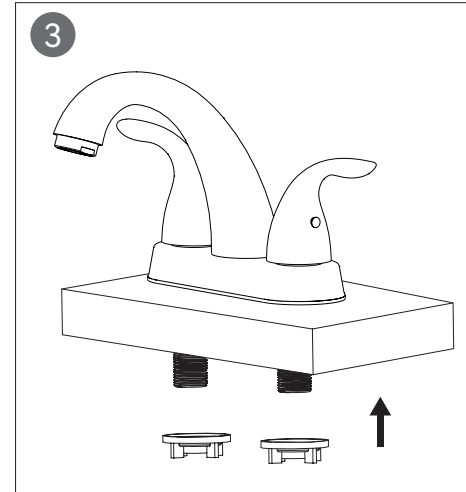


Remove the rubber washer, metal washer and locking nut from the faucet.

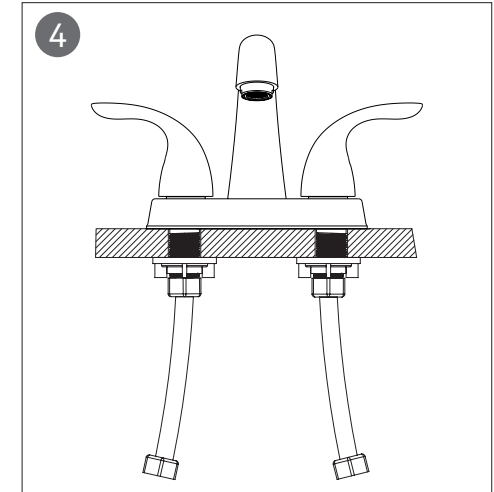


Install faucet through center hole.

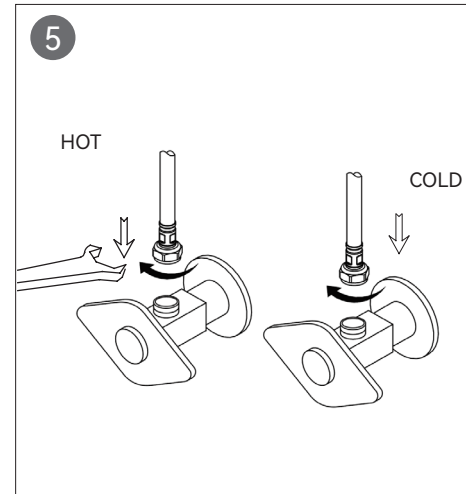
Installation



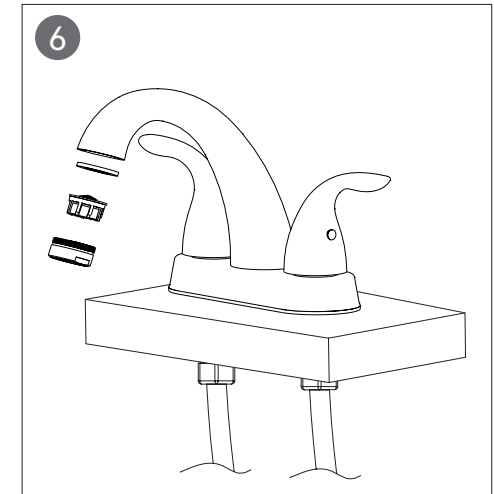
Assembly lock nut onto faucet.



Screw and tighten the hot & cold flexible hoses to the faucet.



Attach flexible hose to water supply.



Remove the aerator, turn on faucet handle for 1 minute to flush debris from faucet. Close the handles and re-assemble the shower.