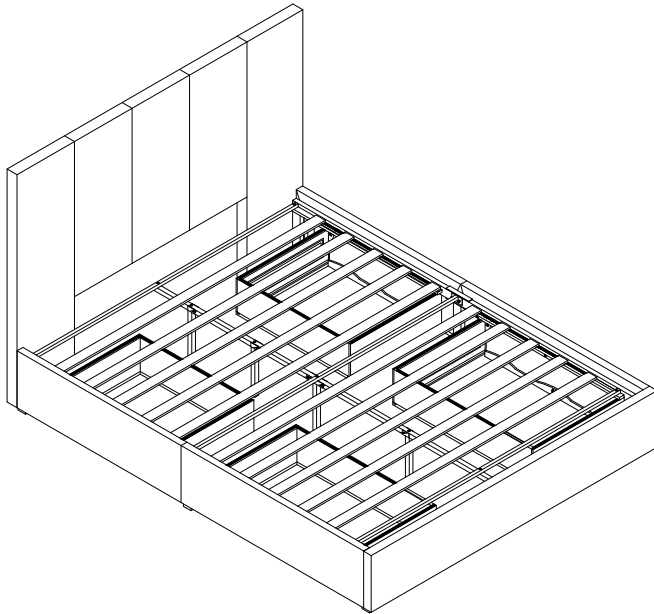


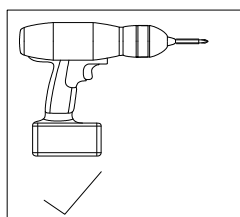
ASSEMBLY INSTRUCTION



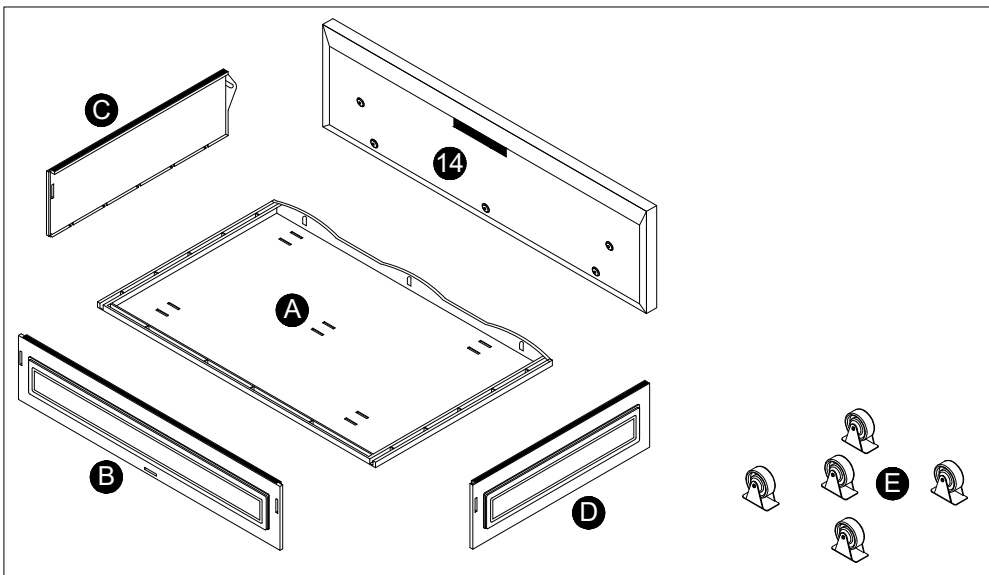
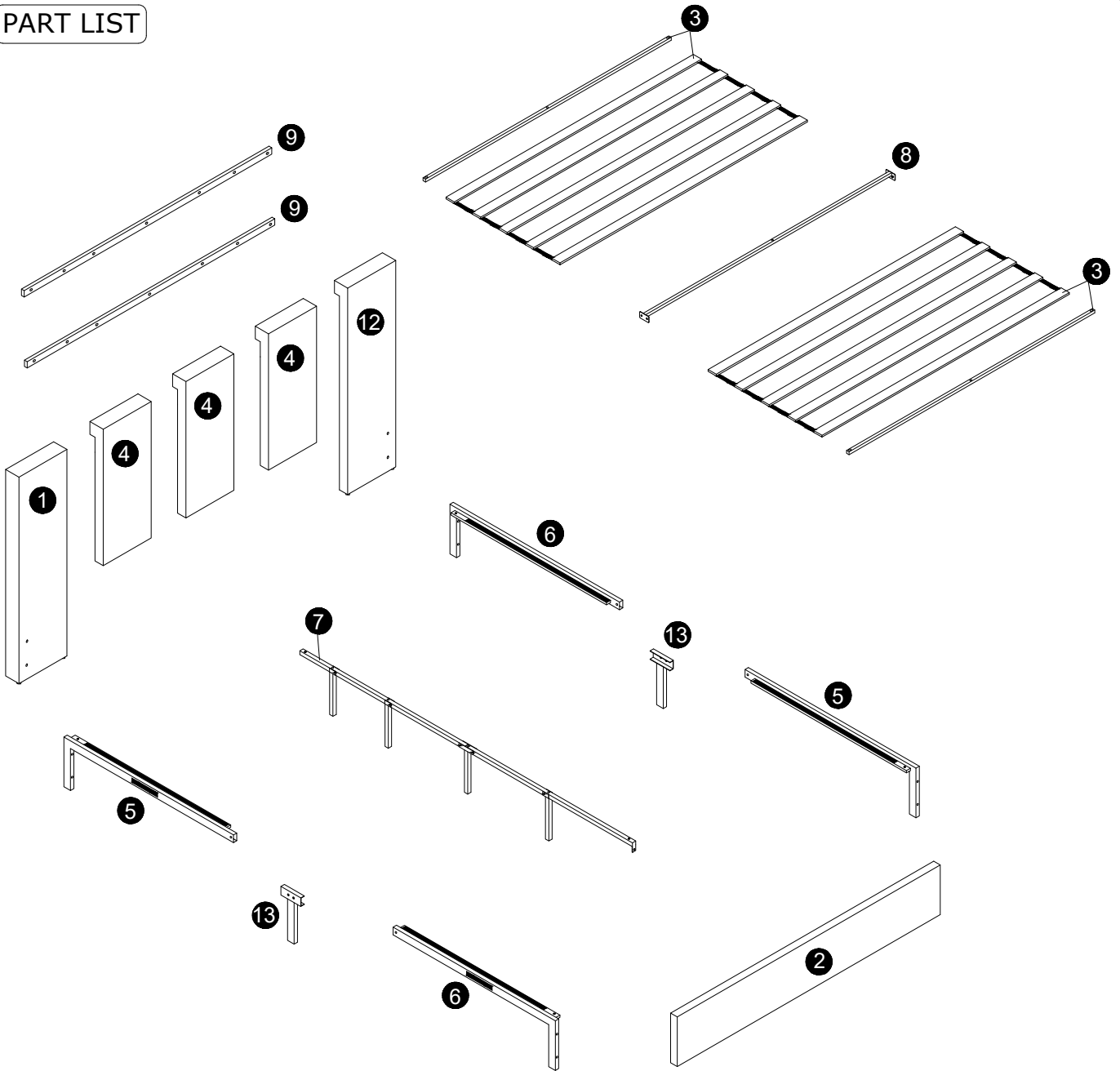
Please **TEAR OFF** this shrink film from side!
DO NOT USE CUTTER!

IMPORTANT NOTE

1. FOR THE PROTECTION OF YOUR FURNITURE, PLACE ALL PARTS ON A CLEAN AND SMOOTH SURFACE TO PREVENT ANY DAMAGE.
2. DO NOT USE POWER TOOLS TO ASSEMBLE THE BED.
3. PLEASE PERIODICALLY CHECK ALL FITTINGS AND RE-TIGHTEN AS NECESSARY.
4. DO NOT USE THE BED UNLESS ALL BOLTS AND SCREWS ARE FIRMLY SECURED.
5. NEED PARTS OR ASSISTANCE? EMAIL US
6. YOU CAN ASSEMBLE IT WITH OUR PACKAGING TOOLS OR WITH A.



PART LIST



x4

Components of Carton 1

1 x 1pc 	2 x 1pc 	3 x 2pcs 	4 x 3pcs
5 x 2pcs 	6 x 2pcs 	7 x 1pc 	8 x 1pc
9 x 2pcs 	12 x 1pc 	13 x 2pcs 	E x 20pcs

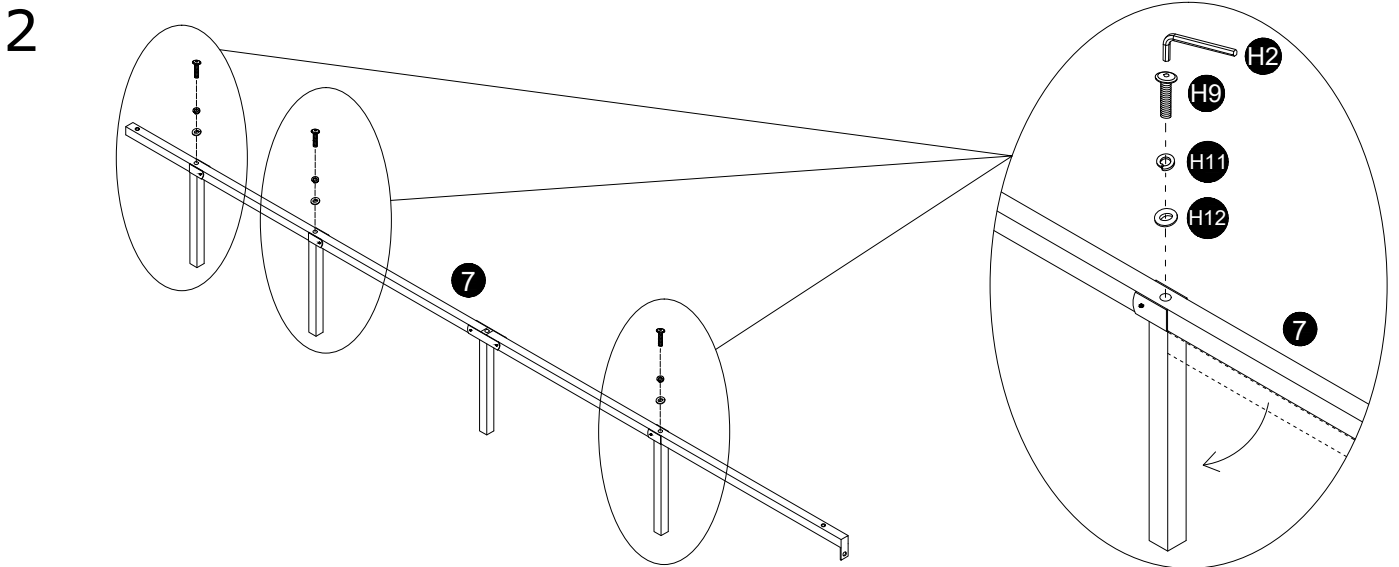
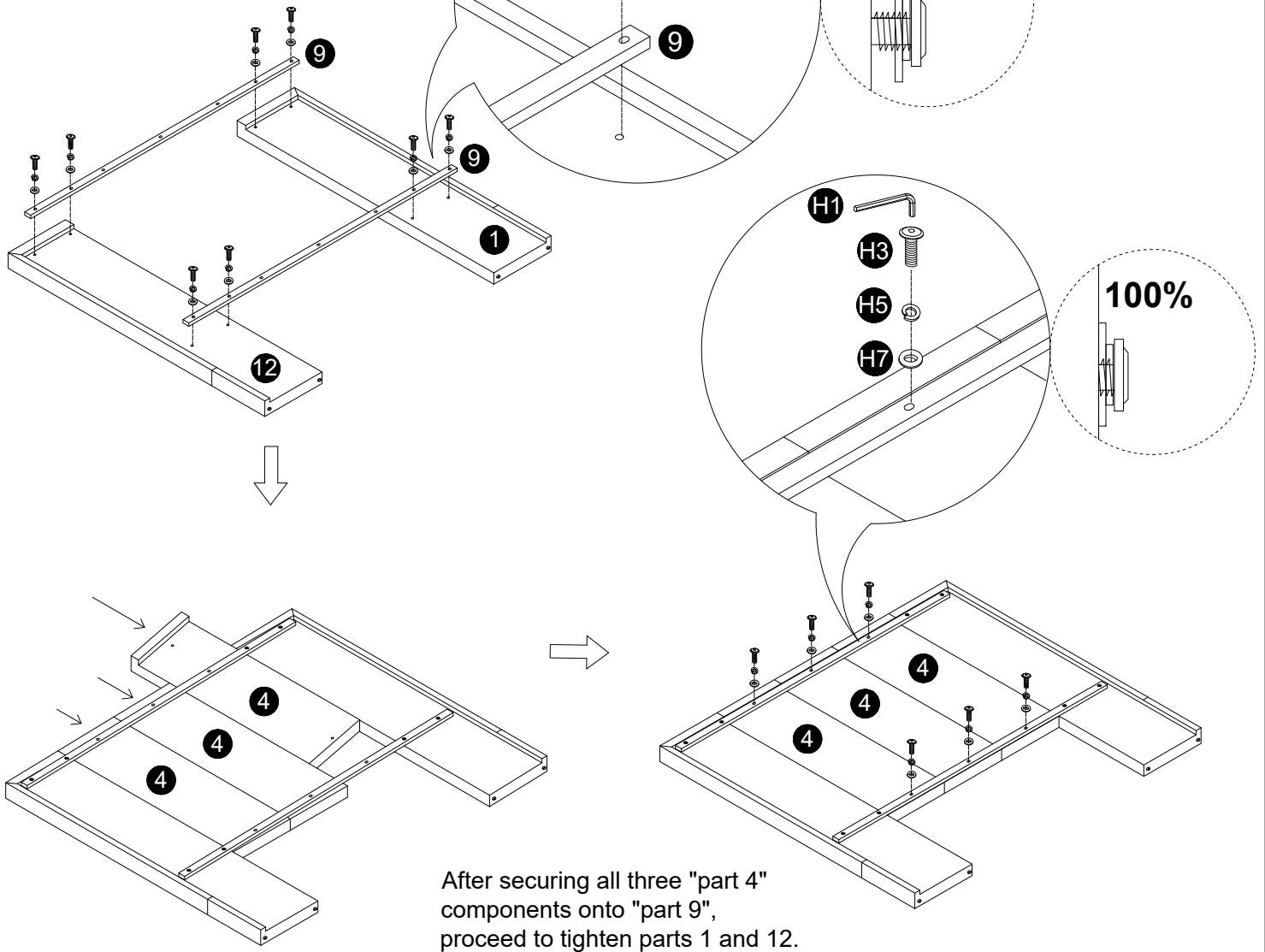
Components of Carton 2

14 x 4pcs 	A x 4pcs 	B x 4pcs 	C x 4pcs
D x 4pcs 			

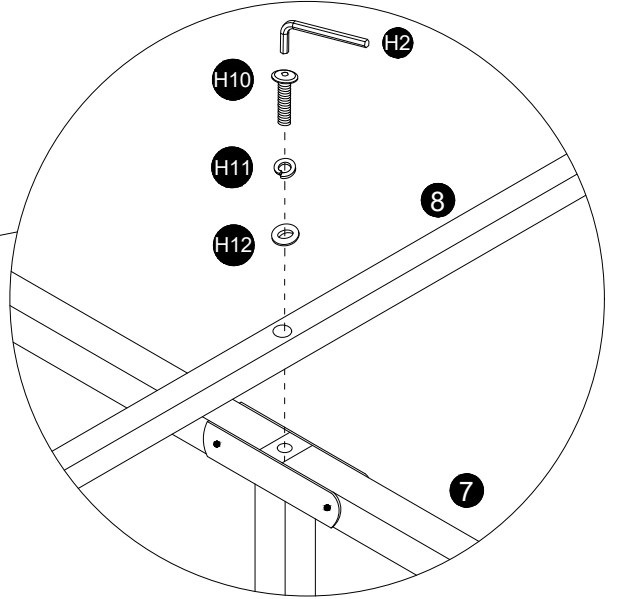
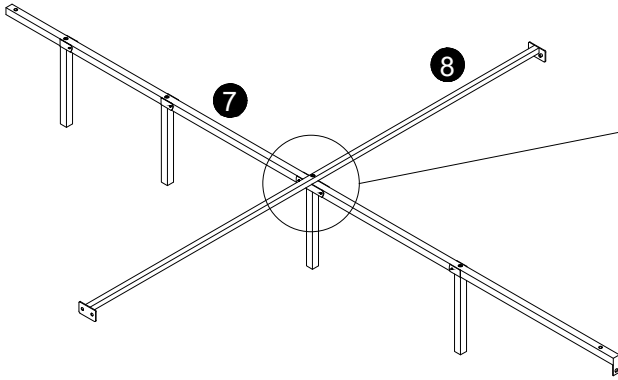
HARDWARE LIST

H1 M5 x 1pc	H2 M4 x 1pc	H3 M8x35mm x 21pcs	H4 M8x70mm x 8pcs
H5 M8 x 23pcs	H6 M8x17mm x 15pcs	H7 M8x22mm x 14pcs	H9 M6x35mm x 7pcs
H10 M6x60mm x 1pc	H11 M6 x 4pcs	H12 M6 x 4pcs	H13 M6x15mm x 20pcs
			H14 x 12pcs

1 Loosely screw parts 1, 12, and 9 together to facilitate inserting part 4 between 1 and 12. Tightening the screws too much will make it difficult to insert part 4.

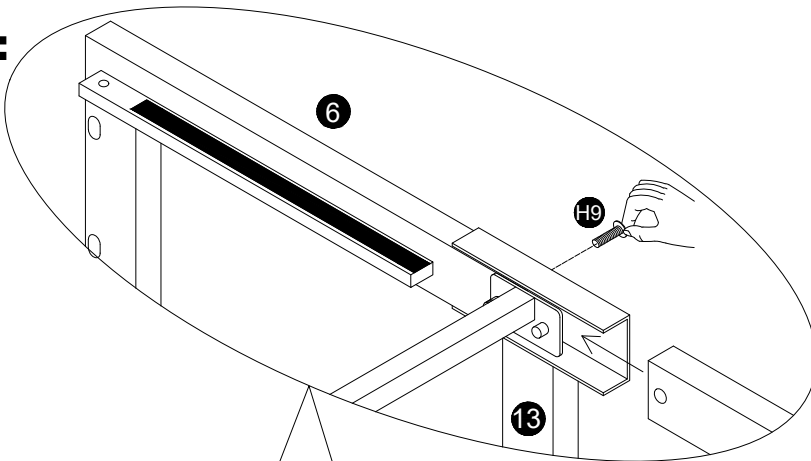


3

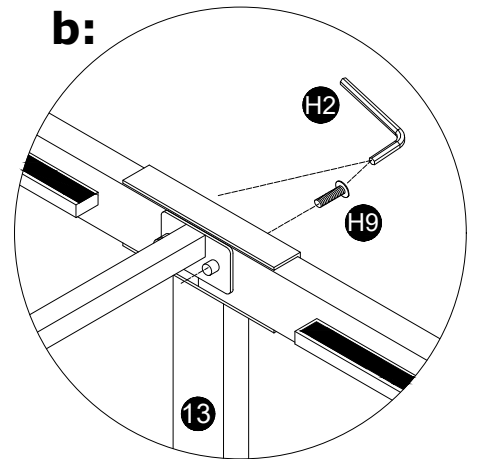


4

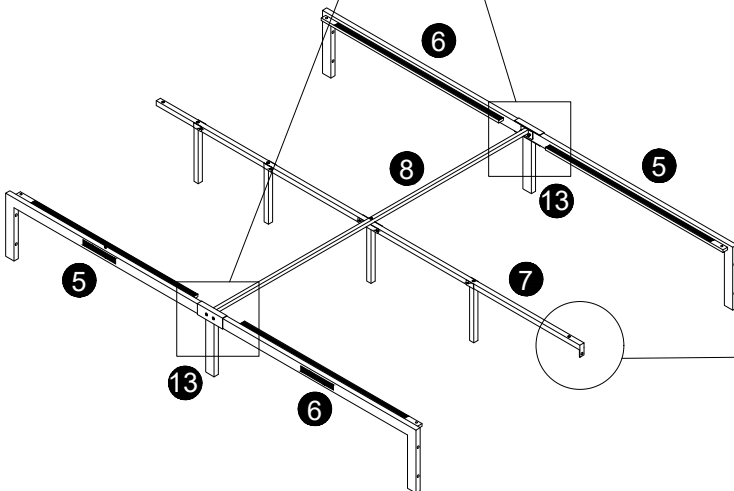
a:



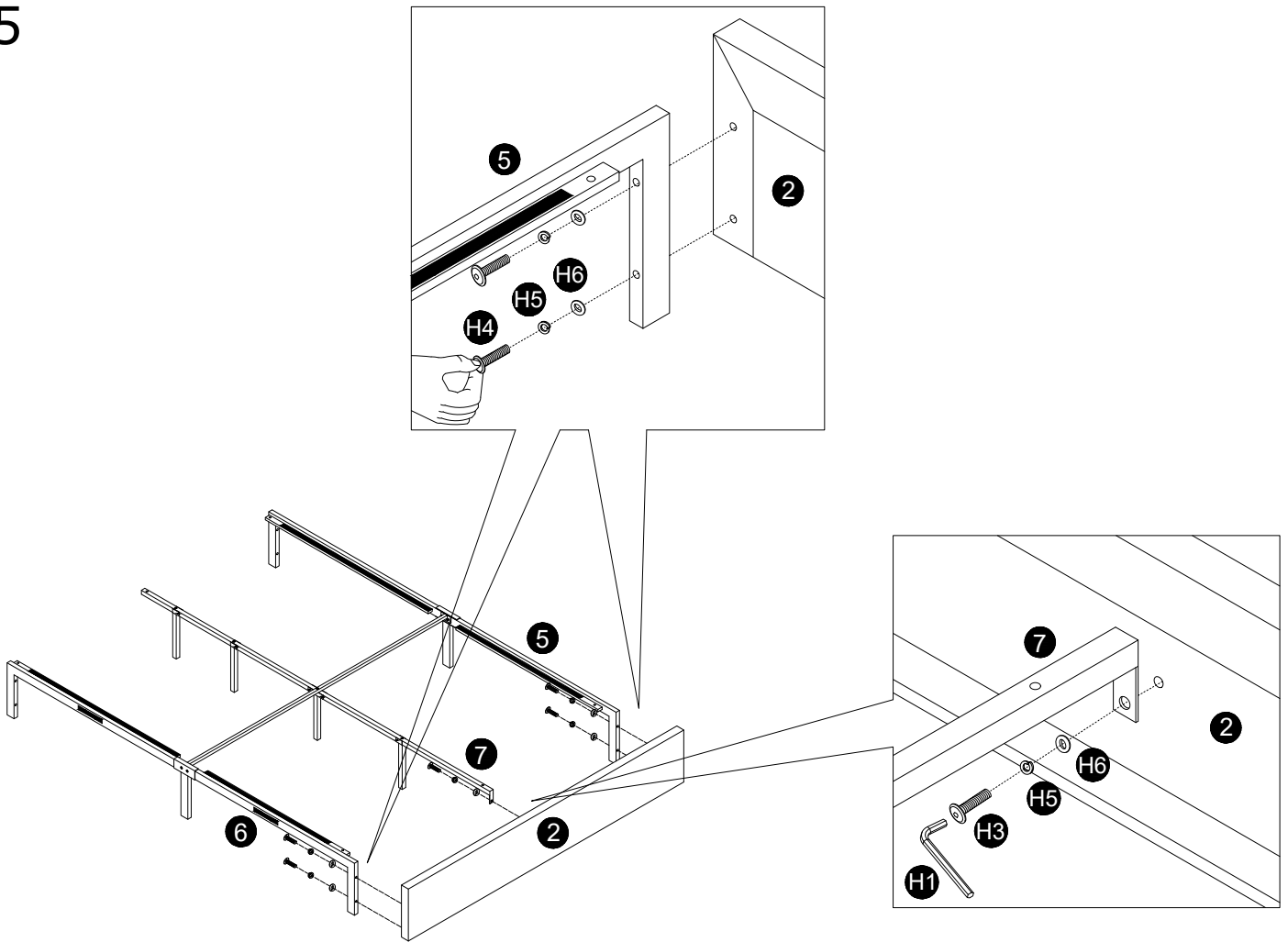
b:



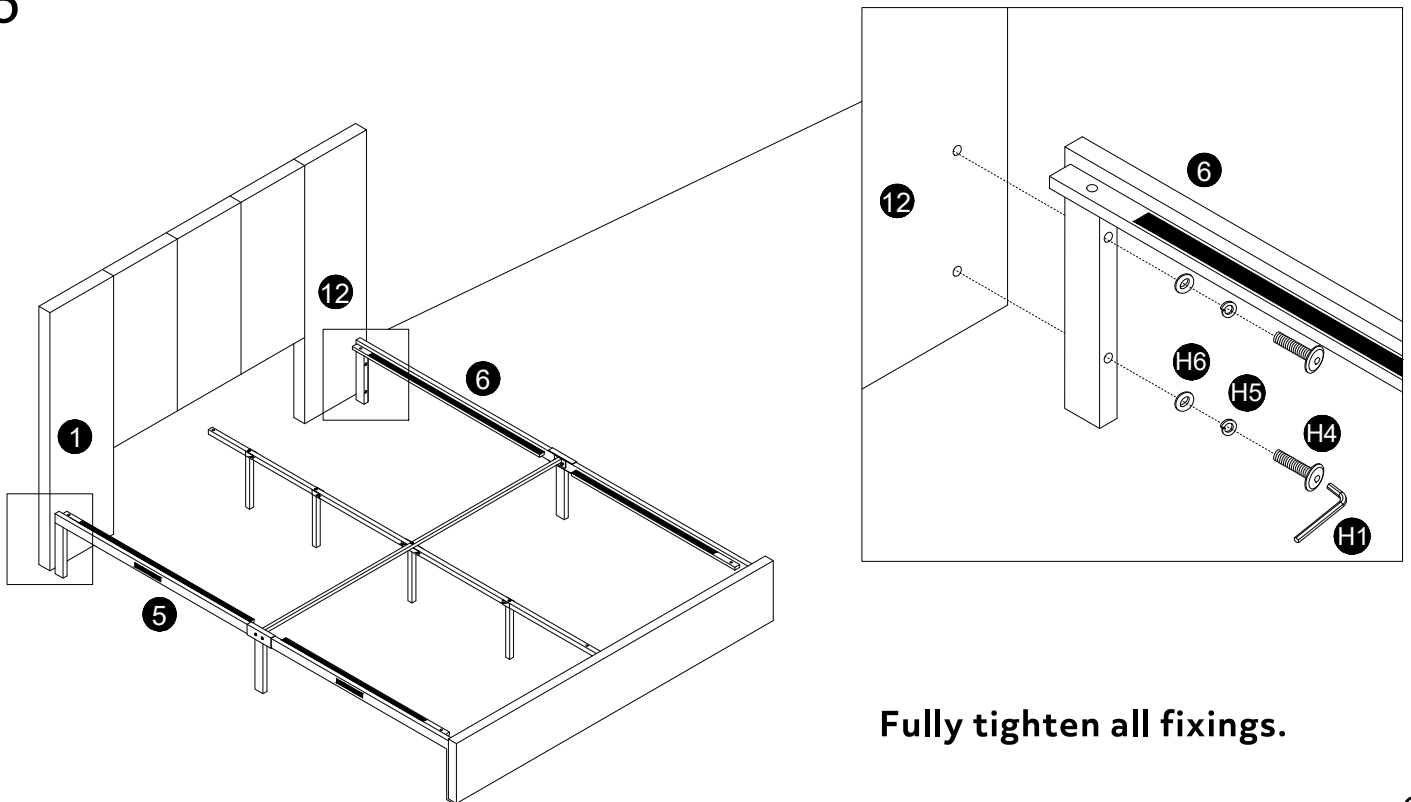
Fully tighten all fixings.



5

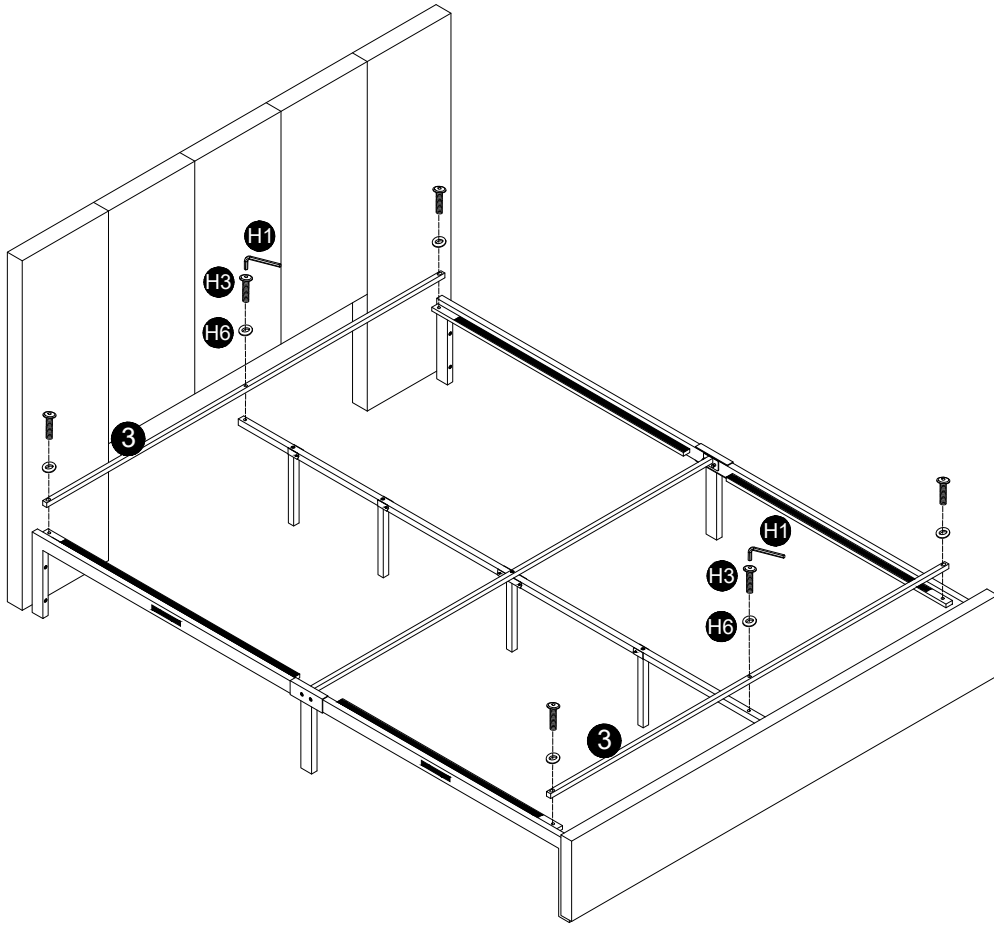


6

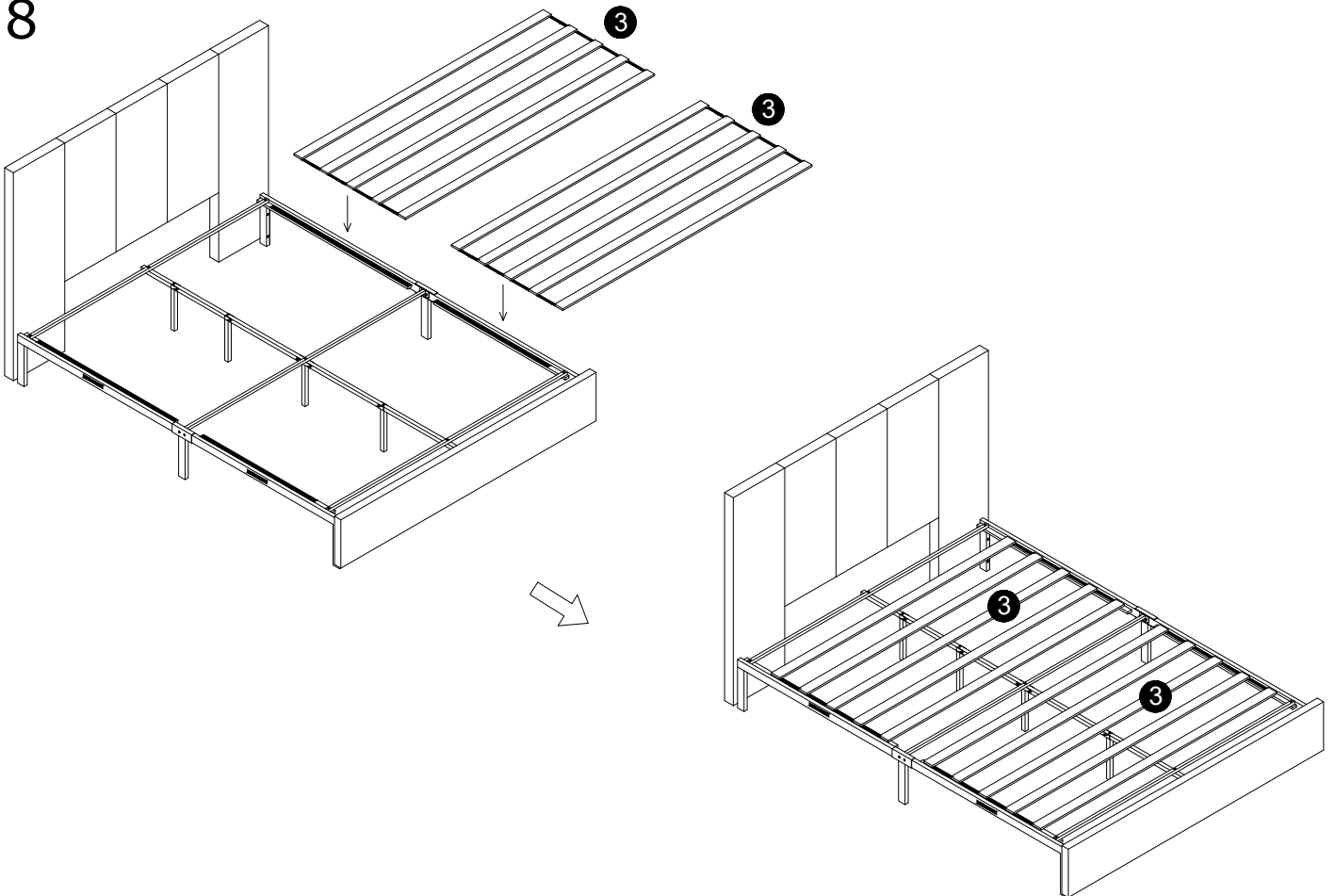


Fully tighten all fixings.

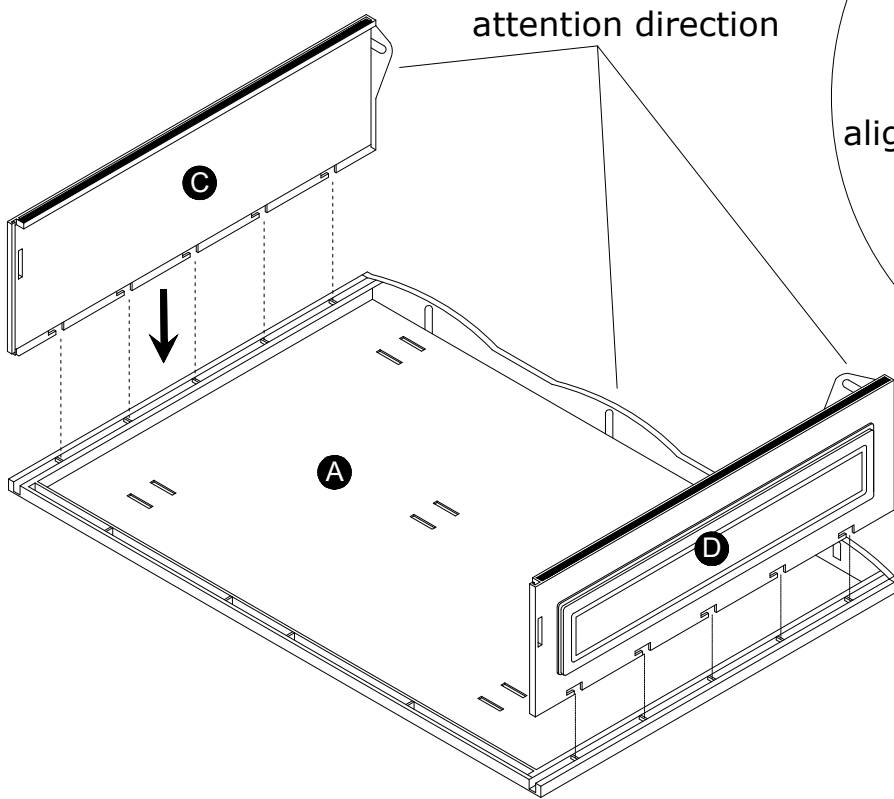
7



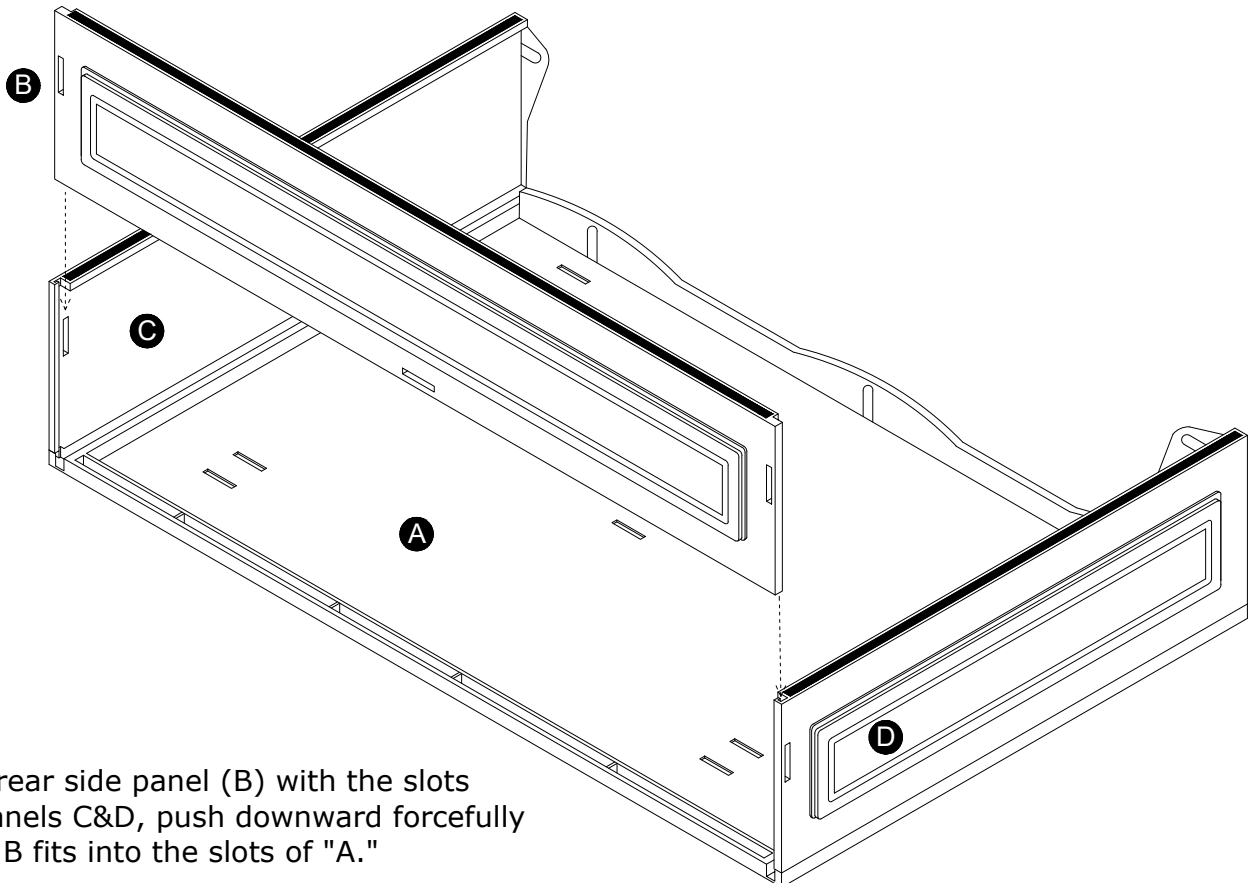
8



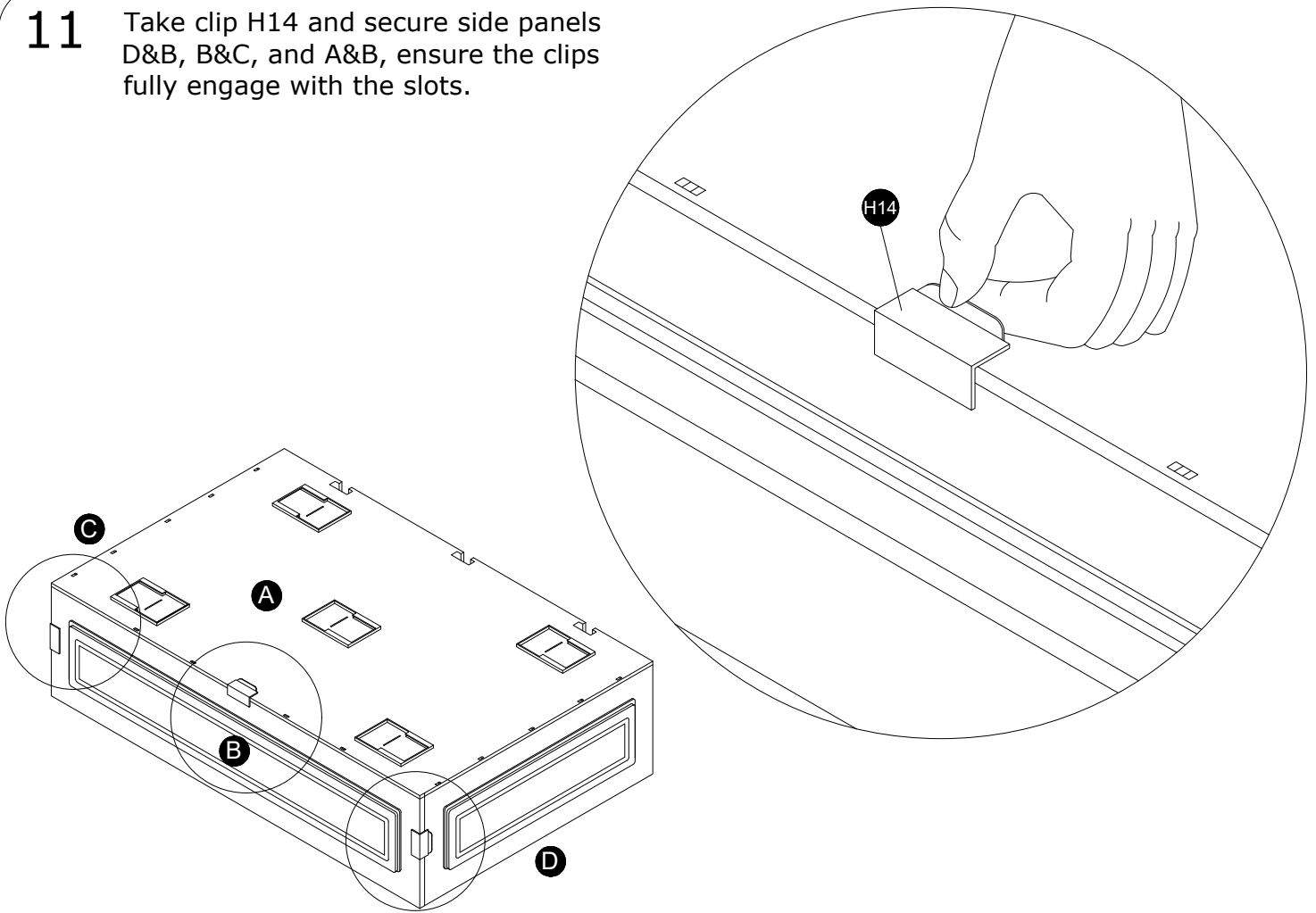
- 9 Put plastic baseboard (A) flat on the floor, assemble side baffles (C&D), following the assemble picture aligning them inward, ensuring all fit into all slots, and push forcefully until the side panels are flush with the baseboard.



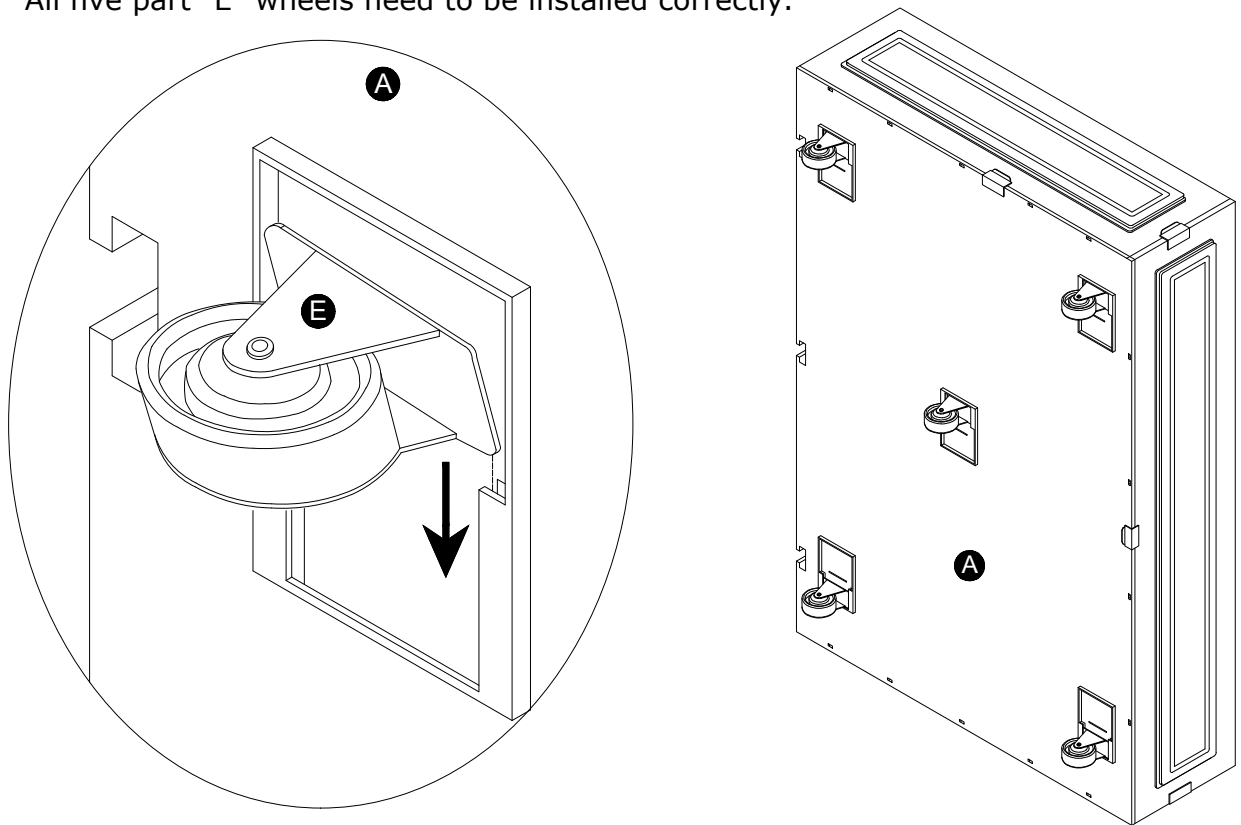
10



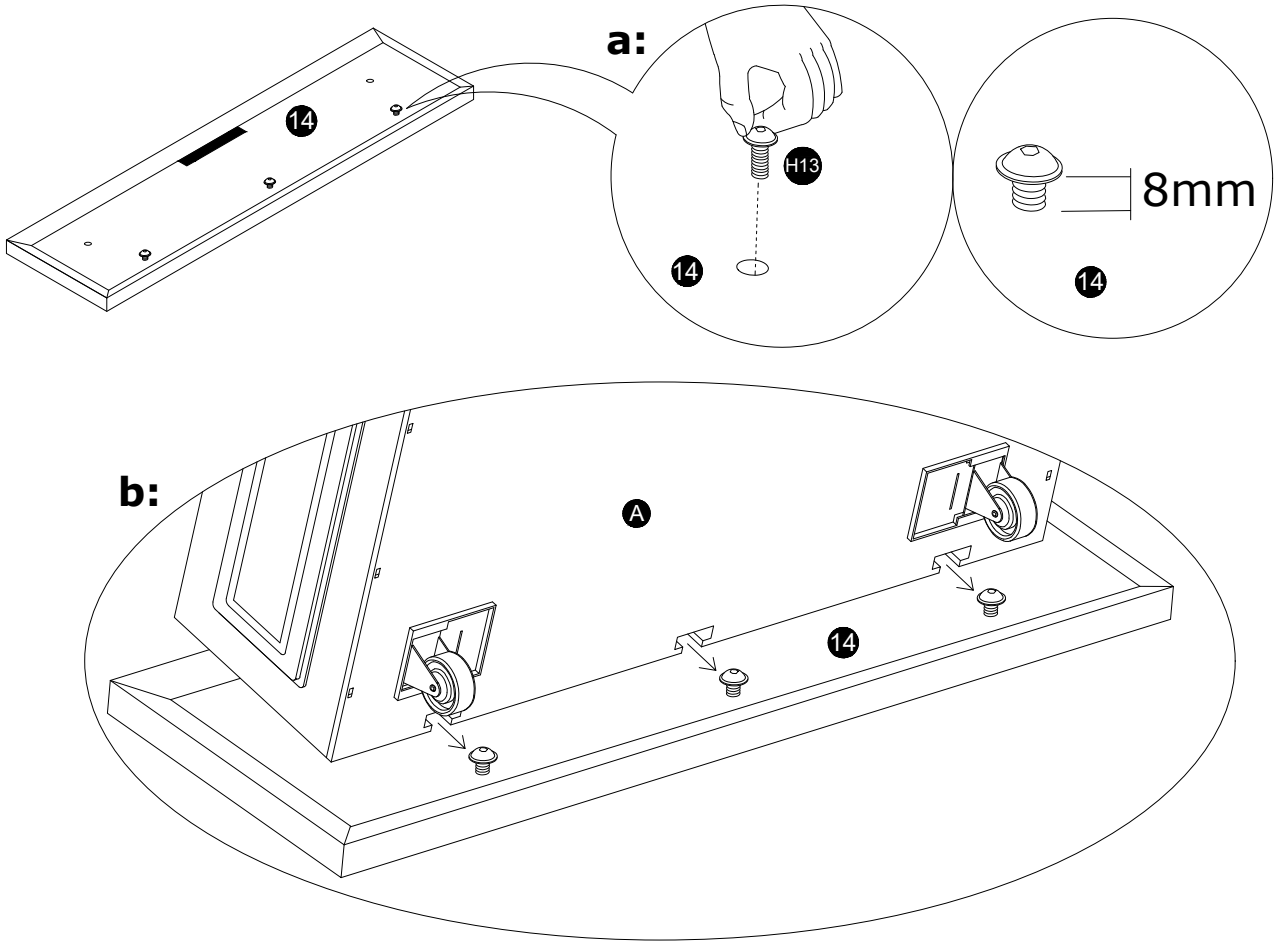
- 11** Take clip H14 and secure side panels D&B, B&C, and A&B, ensure the clips fully engage with the slots.



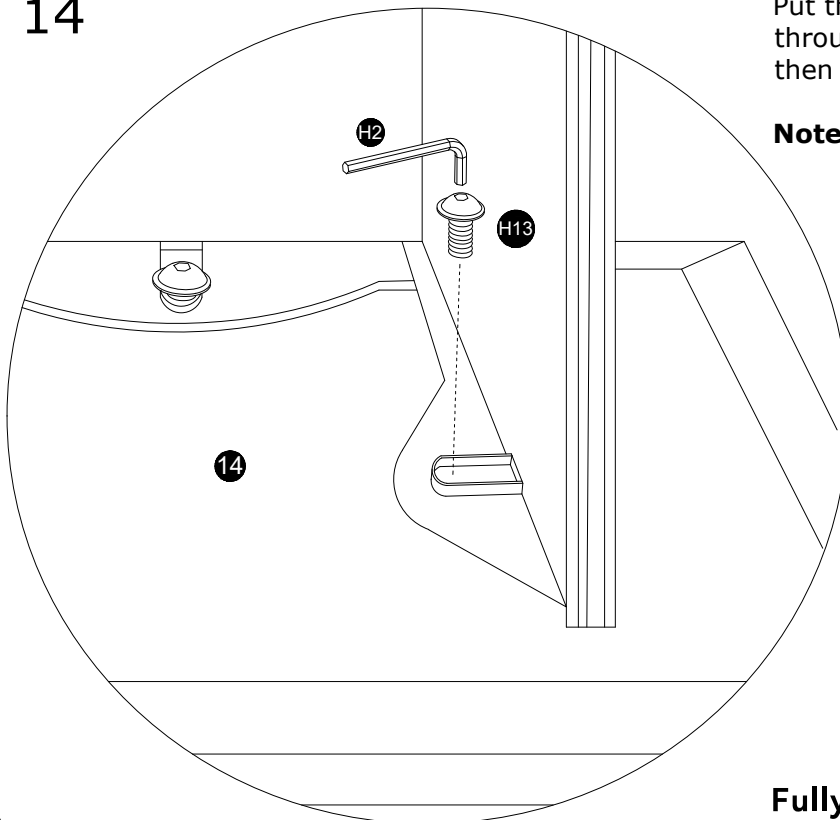
- 12** Install wheels "E" by forcefully pushing them into the slots; once pushed to the bottom, a protrusion will engage with the metal sheet to prevent them from easily coming off. All five part "E" wheels need to be installed correctly.



- 13** Take screw H13, first install it into drawer panel 14, then screw in the bottom 3 screws partially leaving them protruding 8mm (for easy installation). Insert the drawer bottom A into the three screws of the panel, ensuring no distortion of the drawer and panel to prevent plastic parts from breaking during installation.

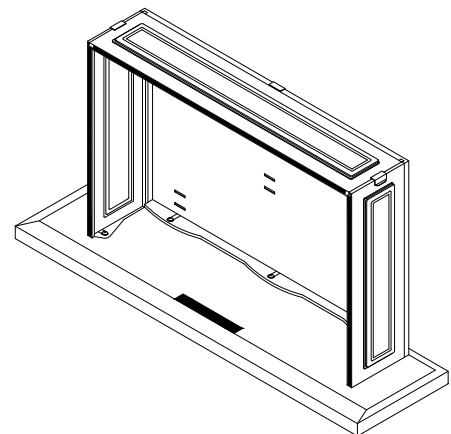


14



Put the drawer flat, install screw H13 through the holes in drawer sides C&D, then tighten all screws.

Note: Plastic drawers should not be installed with power tools; tightening manually is sufficient.



Fully tighten all fixings.