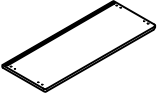
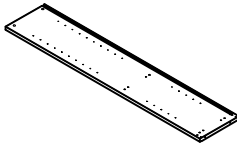
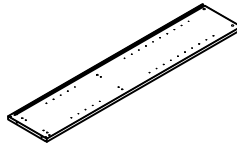
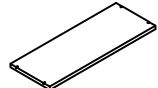
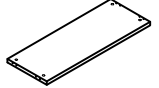
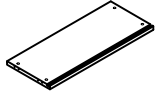
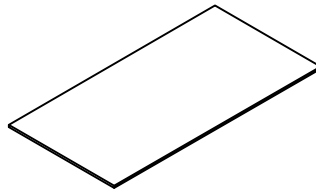

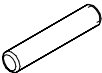
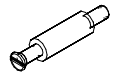
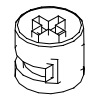
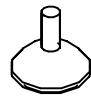
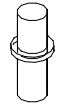


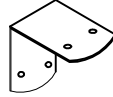
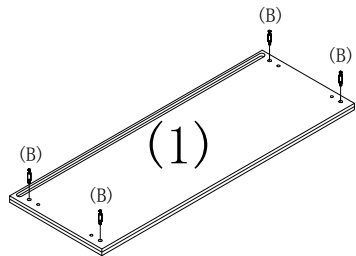
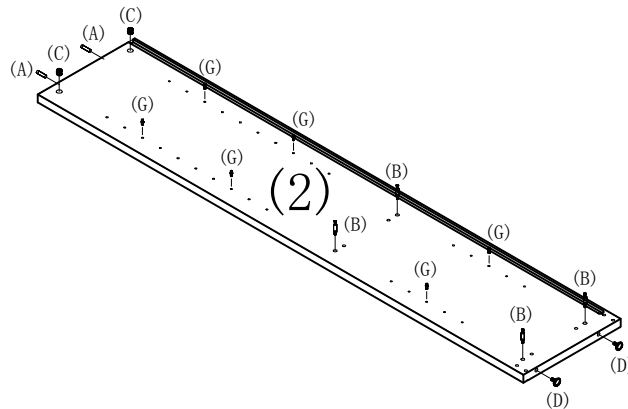


(1) Top  1PC	(2) End Panel  1PC	(3) End Panel  1PC	(4) Shelf  3PCS	(5) Fixed Shelf  1PC	(6) Fixed Bottom  1PC	(7) Back Panel  1PC	(8) Bottom Rail  1PC
(A) Dowel  16PCS+1	(B) Cam Pin  12PCS+1	(C) Cam Lock  12PCS+1	(D) Leg Leveller  4PCS	(G) Shelf Pin  12PCS+1	(p) Adhesive Cam Cover  12PCS+1	(E4) Wood Screw  16PCS+2	(S1) Corner Bracket  4PCS

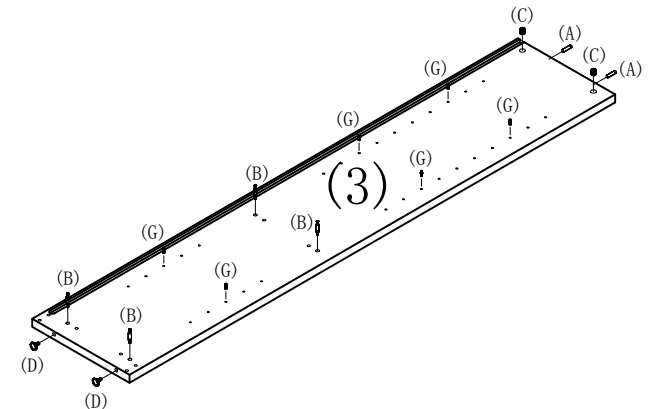
### STEP 1



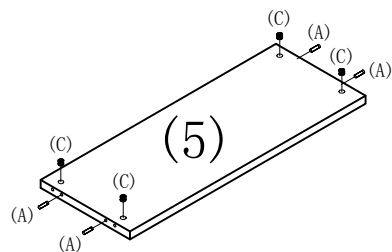
### STEP 2



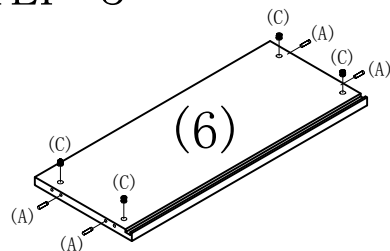
### STEP 3



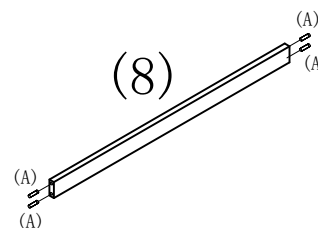
### STEP 4



### STEP 5

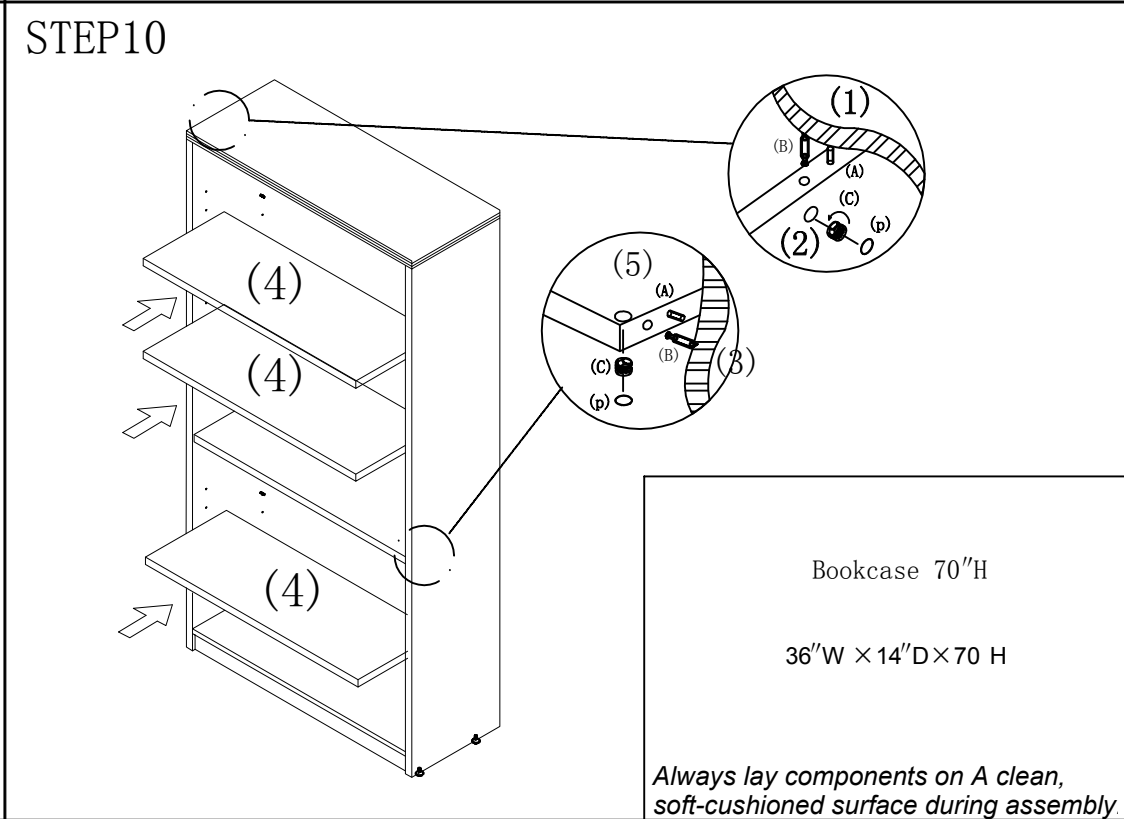
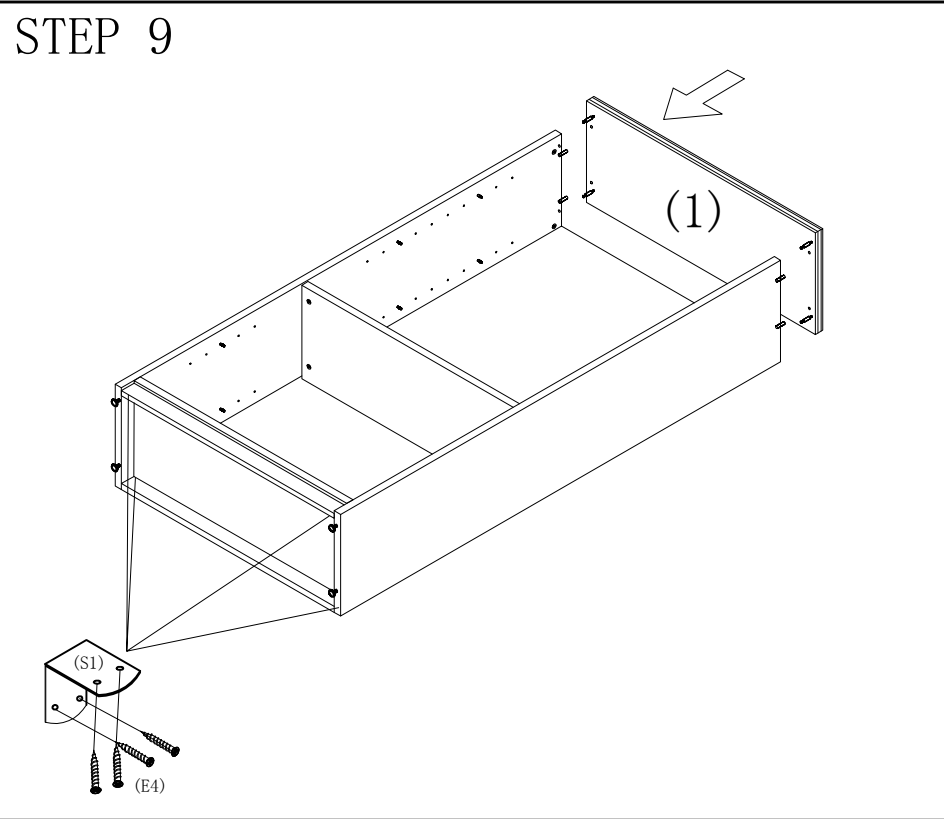
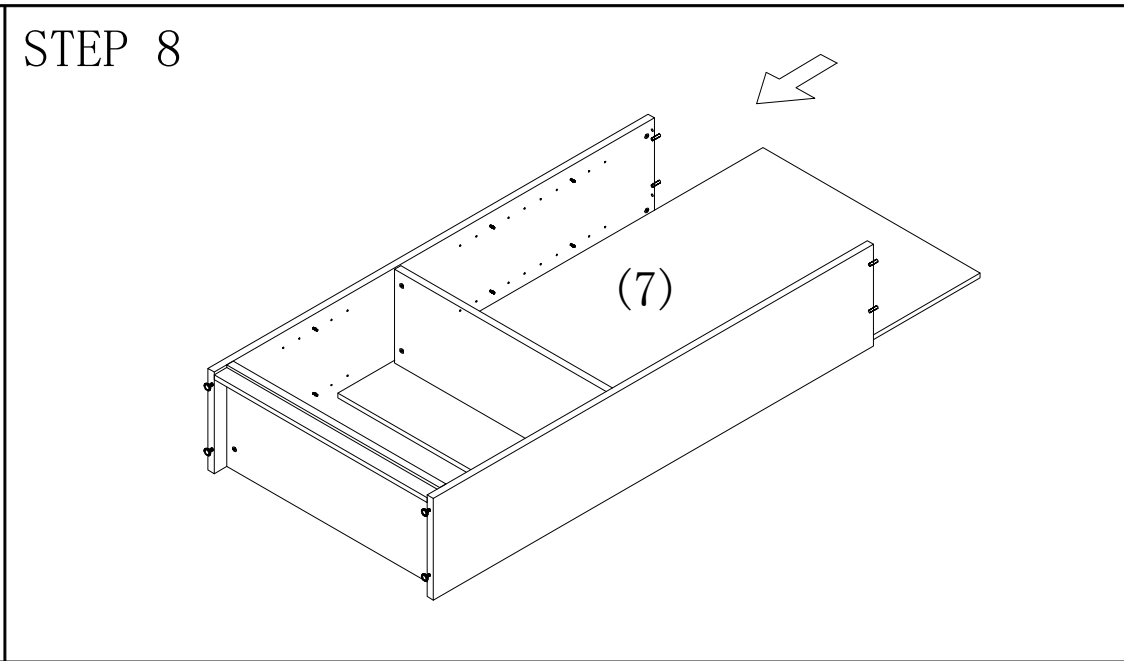
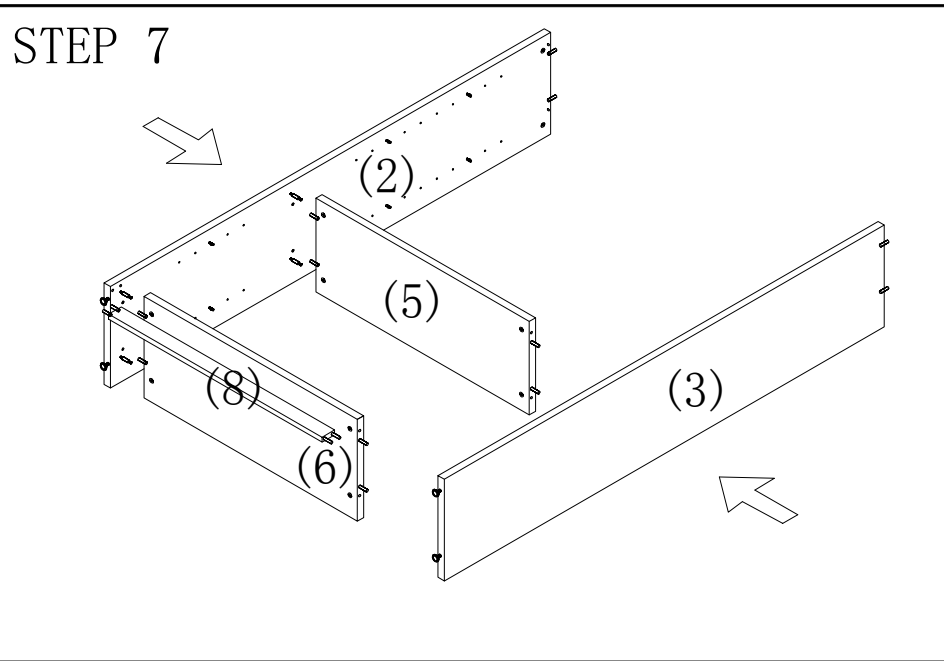


### STEP 6

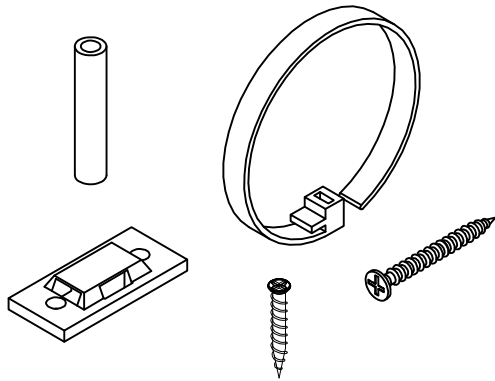


Bookcase 70''H  
36''W × 14''D × 70''H

*Always lay components on A clean, soft-cushioned surface during assembly.*



(F) Wall-attachment kits



1PC

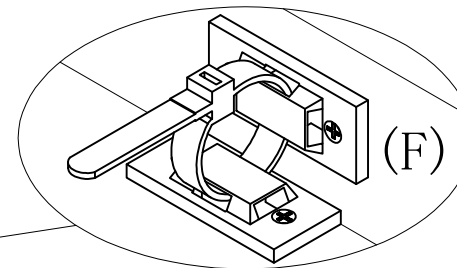
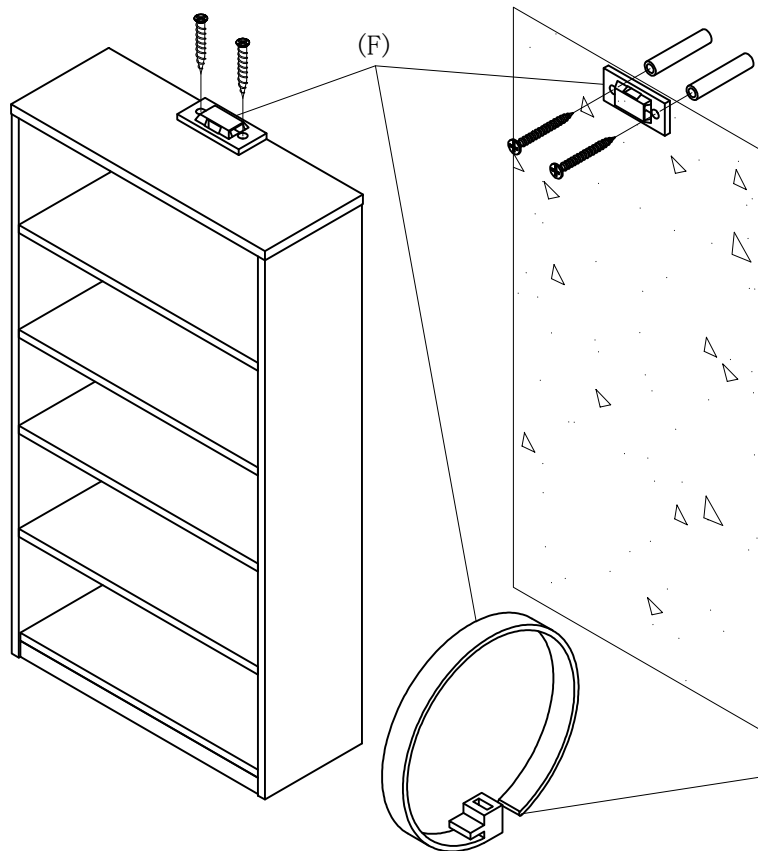
1. Affix 1st wall-attachment bracket to the top of Bookcase, at rear/center, using (2) **SHORT** screws.

2. Affix 2nd wall-attachment bracket to the wall, using (2) wall anchors and (2) **LONG** screws.

**Note:** Locate the 2nd bracket 1/4" higher than the 1st bracket (now located on the top of the bookcase). Align 2nd bracket left/right with the 1st bracket.

3. Connect wall-attachment brackets with plastic cable tie.

## STEP 11



Bookcase 70" H

36 W × 14 D × 70 H

*Always lay components on A clean, soft-cushioned surface during assembly.*