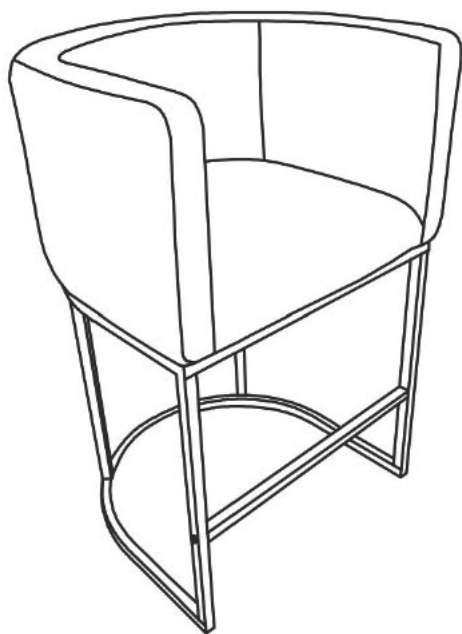


Affordable. Reliable. Home Improvement.

BAR STOOL





Warning-To reduce the risk of injury, user must read instructions manual carefully.

UNPACKING INSPECTION MATTERS

Each bar stool undergoes strict factory testing before leaving the factory.

After opening the packaging, please perform the following inspection steps:

1. Whether the product is damaged;
2. Is the product model consistent with your order;

If you find any omissions or damages, please contact your supplier as soon as possible.

SAFETY WARNINGS AND PRECAUTIONS

Thank you for choosing this product. To ensure that you can use it correctly, please carefully read the instruction manual before operation and keep it properly for future reference. Please be sure to read the precautions and safety rules in this page to ensure your safe use. This manual will outline safety warnings and precautions, operating, maintenance and cleaning. The warnings and instructions reviewed in this manual cannot cover all possible conditions and situations that may occur. Caution and common sense are not built into this product, since we believe that the uses will comply with these codes.

Please read all instructions before using the product.

1. The product is intended for indoor use only. The product must be assembled and used in accordance with the provisions of the manual. Personal injury and/or damage to product may occur if products are used outside of their intended purposes and/or if products have been changed/modified from their original design.

The seller does not assume any responsibility or liability with respect to any injury/damage caused by incorrect assembly or improper use.

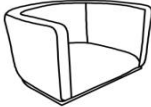






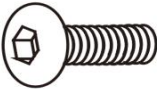
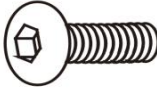
2. Avoid long-term exposure to humid environments to prevent mildew .

3. Keep the product away from fire sources and high temperatures. Do not expose the product to direct sunlight .
4. Do not place any hot objects on the surface of the product .
5. If there are any defective or missing parts after unpacking, please cease assembly immediately and contact us .
6. Please assemble the item on a spacious surface and do not place the unwrapped product directly on the ground to avoid product damage .
7. Please do not stand on the seat .
8. Please wear gloves during the assembly and/or disassembly process to avoid scratches from any sharp edges .
9. Please match the corresponding part and fitting based on the part number in the manual .
10. If the part does not match with the fitting, please check the piece as specified in this manual.
11. During assembly, first loosely align all screws with the corresponding pre-drilled holes and then tighten the screws one by one.
Periodically inspect screw tightness while the product is in use. If necessary, retighten to ensure structural integrity .
12. If you accidentally spill water or another liquid on the surface, immediately wipe clean with a dry towel .
13. Please keep the product away from sharp, pointed objects and corrosive substances to prevent product damage.
14. Please place this item on level, solid ground during use.

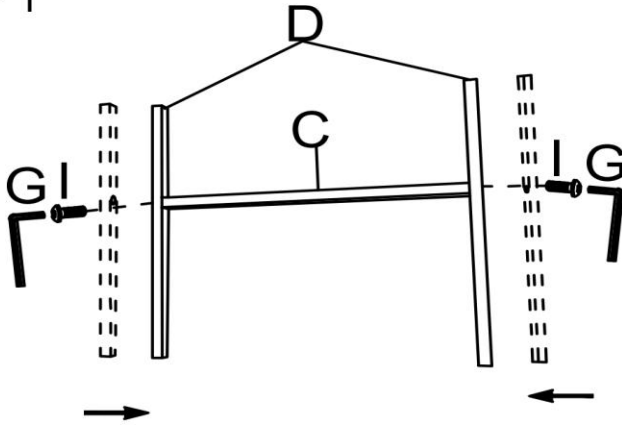
WARNINGS

1. Children are not allowed to assemble the product. During assembly, keep all small parts out of the reach of children as they may be fatal if swallowed or inhaled.
2. Children are forbidden to climb or play on the product to avoid serious bodily injury caused by the toppling.
3. Keep plastic packing bags out of reach of children to avoid any potential danger, such as suffocation.
4. The total maximum static load capacity of the product is 350 LB (158 KG). Do not place overweight items on it.

INSTALLATION STEPS

PART LIST		
A  Seat 1pcs	B  Chair after side 2pcs	C  Support rod 1pcs
D  Chair front side 2pcs	E  Leg support frame 1pcs	F  Base 1pcs
G  Hex wrench 1pcs	H  Hexagonal socket screw M6x25 4pcs	I  Hexagonal socket screw M6x35 10pcs

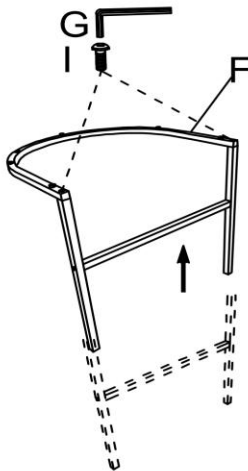
STEP 1



As shown in the figure, use hexagon socket screw I to lock support rod C and chair front sides D. (* Reminder - This step only requires tightening the bolt by 80%)

Use 2 hexagon socket screws I.

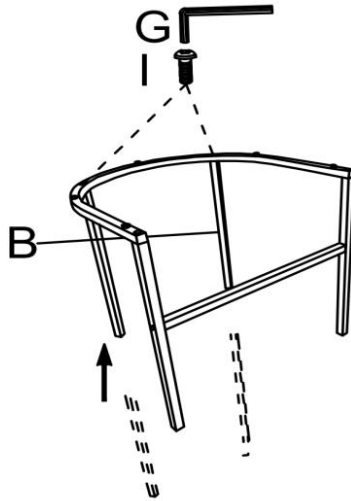
STEP 2



As shown in the figure, use socket head screw I to lock Base F onto components C and D. (* Reminder - This step only requires tightening the bolt by 80%.)

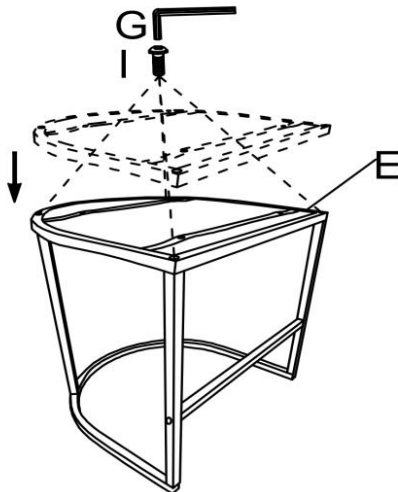
Use 2 hexagon socket screws I.

STEP 3



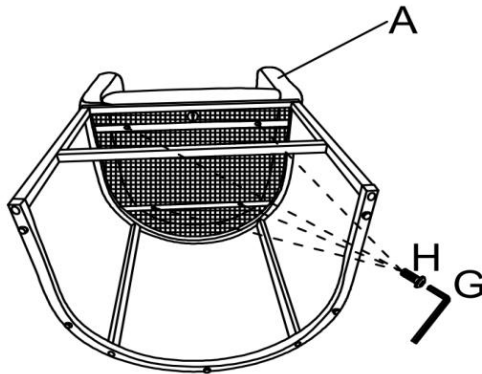
As shown in the figure, use socket head screw I to lock chair after sides B onto the base. (* Reminder - This step only requires tightening the bolt by 80%.) Use 2 hexagon socket screws I.

STEP 4



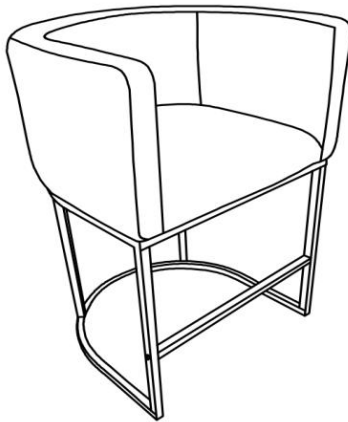
As shown in the figure, use the hexagon socket screw I to lock the leg support frame E onto the assembled chair leg assembly. (This step will tighten all screws to 100%) Use 4 hexagon socket screws I.

STEP 5



As shown in the figure, use the hexagon socket screw H to lock seat A onto the assembled chair leg assembly.
Use 4 hexagon socket screws H.

STEP 6



Assembly completed. Your bar stool is ready for use.

CLEANING AND STORAGE

1. Wipe with a soft, dry cloth. Never use an abrasive cleanser or harsh pad.
2. Try to minimize the use of water, regularly wipe with a slightly damp cloth dipped in mild detergent, then dry and polish the surface with a clean soft cloth.
3. To clean the fine seams of the bar stool, you can use a honey powder brush to brush out the dirt inside the seams, and then use a vacuum cleaner to clean them up.
4. Children are not allowed to wipe the product to avoid tipping and falling injuries.
5. After the product is disassembled, please put the parts and accessories together.
6. Re-tighten bolts every 3 months by using the enclosed allen-key.

*Using an electric drill can damage the chair. Please re-tighten bolts manually.

