

Assembled Dimensions

L Length : 390mm

W Width : 530mm

H Head Height : 670mm

PLEASE NOTE: CHECK ALL PARTS BEFORE ASSEMBLING  
 ONCE ASSEMBLED THIS ITEM CANNOT BE RETURNED UNDER THE APPROVAL GUARANTEE  
 THIS PRODUCT IS BUILT VERTICALLY - PLEASE BUILD WHERE IT WILL BE USED

**Follow Me**

- FIRST: Check that the assembled product size will fit in its required location. Take into account ceiling height clearance & door frame widths, if the unit is not being assembled close to its final location
- SECOND : Check that you have enough floor area to complete the assembly
- THIRD: Retain your packaging until you have checked that ALL the parts are in the packs.
- FOURTH :Sort out the parts and fittings as shown, assemble product step by step
- It is preferable to rest the product on a soft surface to avoid damage during assembly
- Do not over tighten screws and fittings.
- Re-Tighten all screws and fitting periodically.

**Guide Me**

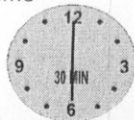
Multi-Pack Table  
 COMPONENT Pack NO

**BOX: 1 / 1**

- FITKIT
- AI
- TOP = 1x
- LEFT SIDE PANEL = 1x
- RIGHT SIDE PANEL = 1x
- BASE FRONT RAIL = 1x
- BASE SIDE RAIL = 2x
- BASE = 1x
- FRONT ASSEMBLED = 1x
- BACK = 1x
- RUNNER = 2x
- FRONT DRAWER = 1x
- SIDE DRAWER = 2x
- BACK DRAWER = 1x
- BASE DRAWER = 1x

Replacement packs cannot be provided without Component pack number and the part number / description

Approx Assembly Time



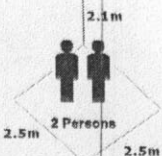
Preparation  
 Flor Space 2.5 x 2.5m  
 Height 2.1m



Recycling- the packaging materials for this product may be recycled through your local recycling centre. When you want to dispose of the product itself, please consider donating it to a local charitable organization, otherwise recycle it through your local recycling centre.

**Show Me**

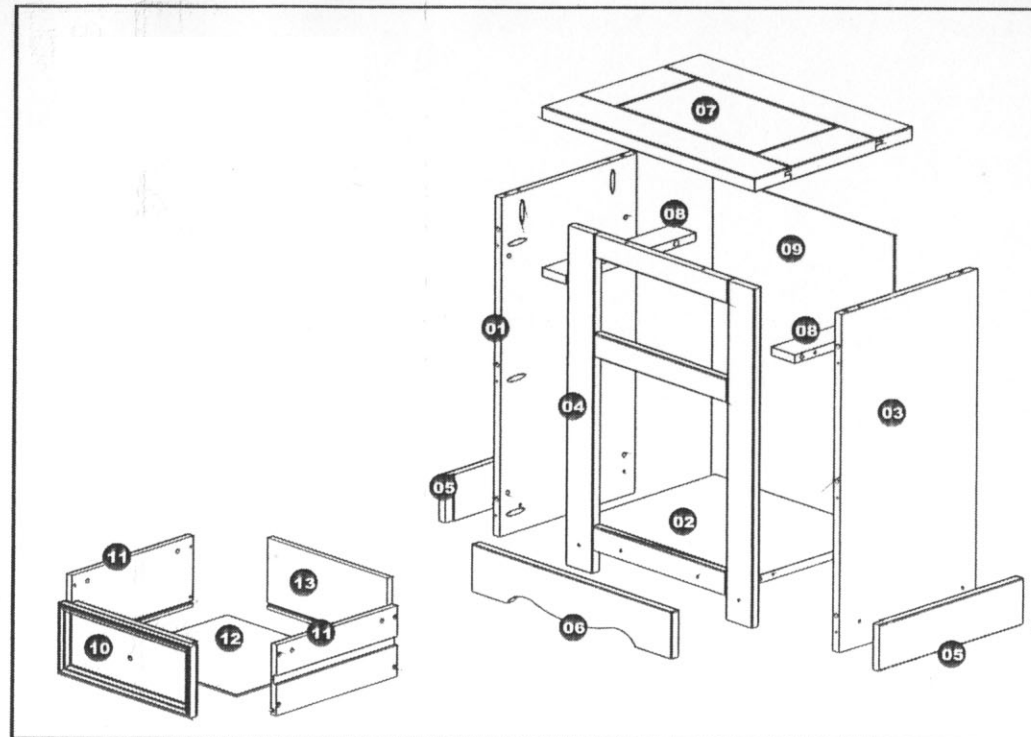
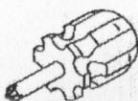
No of People to Assemble



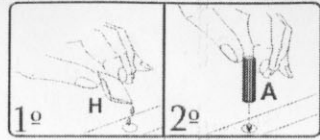
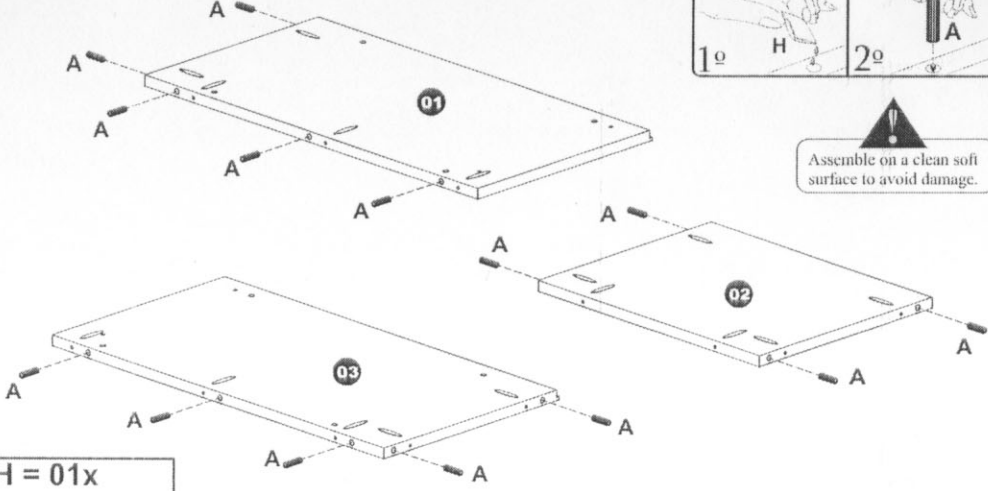
**TOOLS REQUIRED**  
 Tape Measure



Pozi No 2



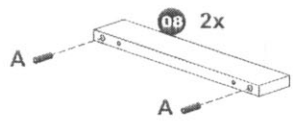
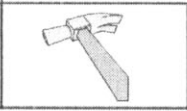
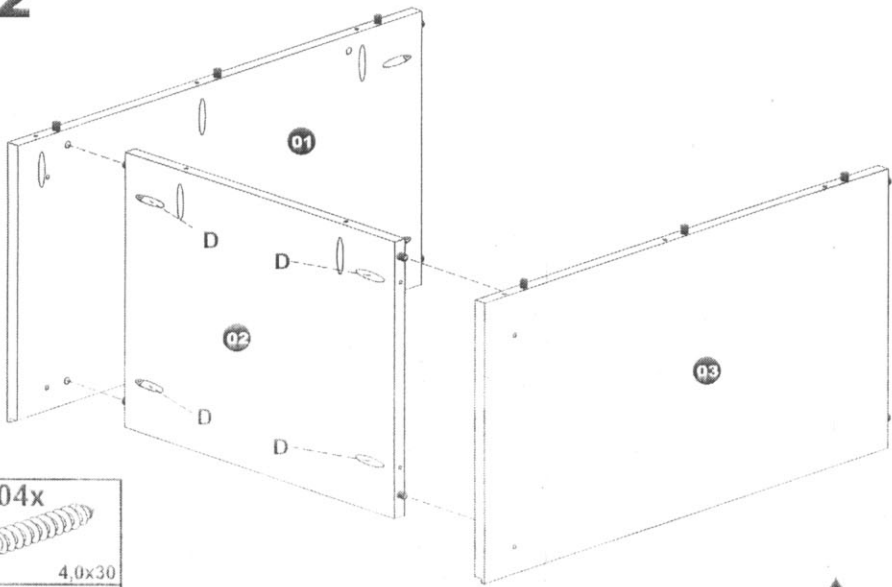
A		20	F		04
B		04	G		01
C		08	H		01
D		26			
E		18			

**01**

Assemble on a clean soft surface to avoid damage.

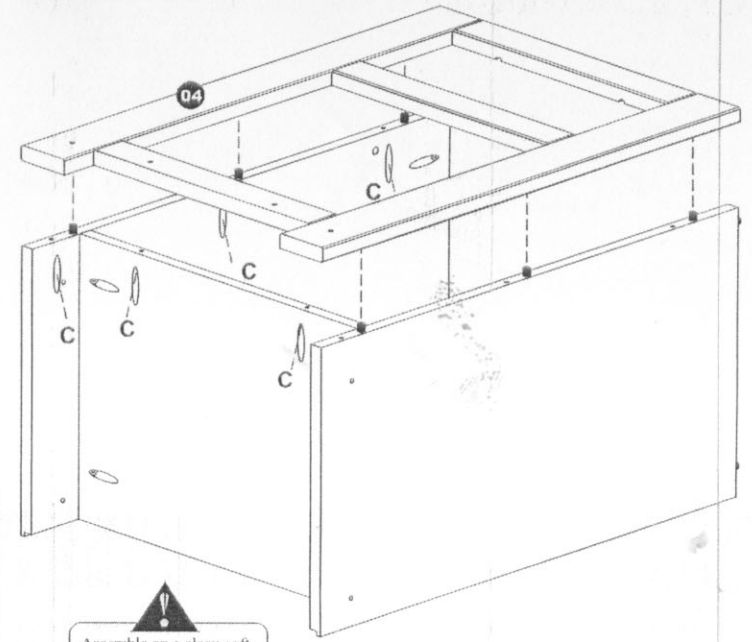
H = 01x

A = 18x

**02**

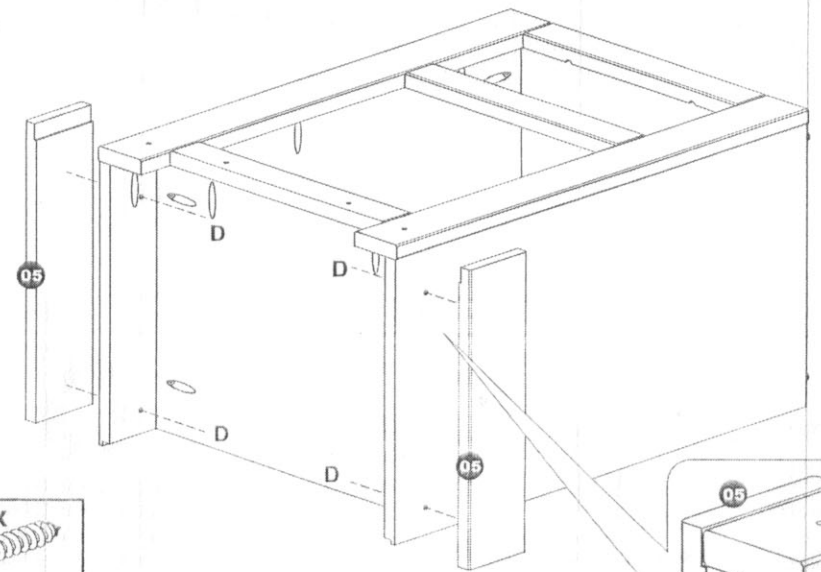
D = 04x

Assemble on a clean soft surface to avoid damage.

**03**

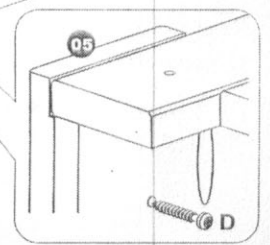
C = 08x

Assemble on a clean soft surface to avoid damage.

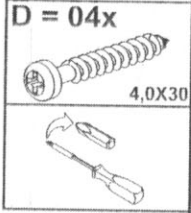
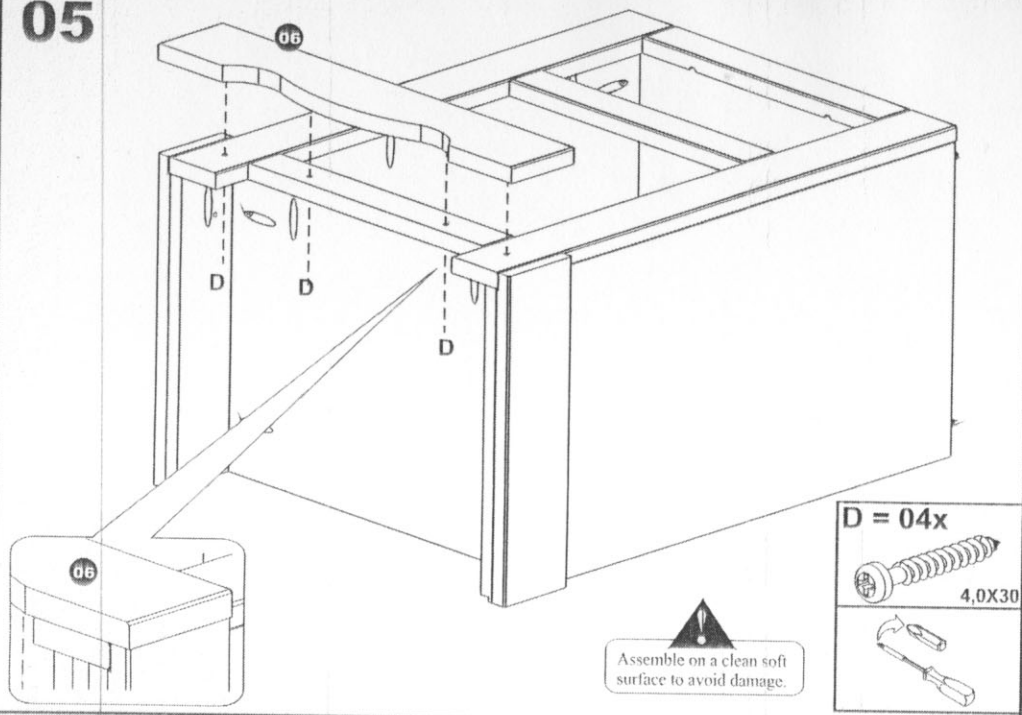
**04**

D = 04x

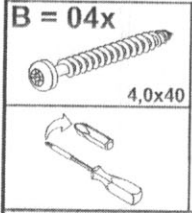
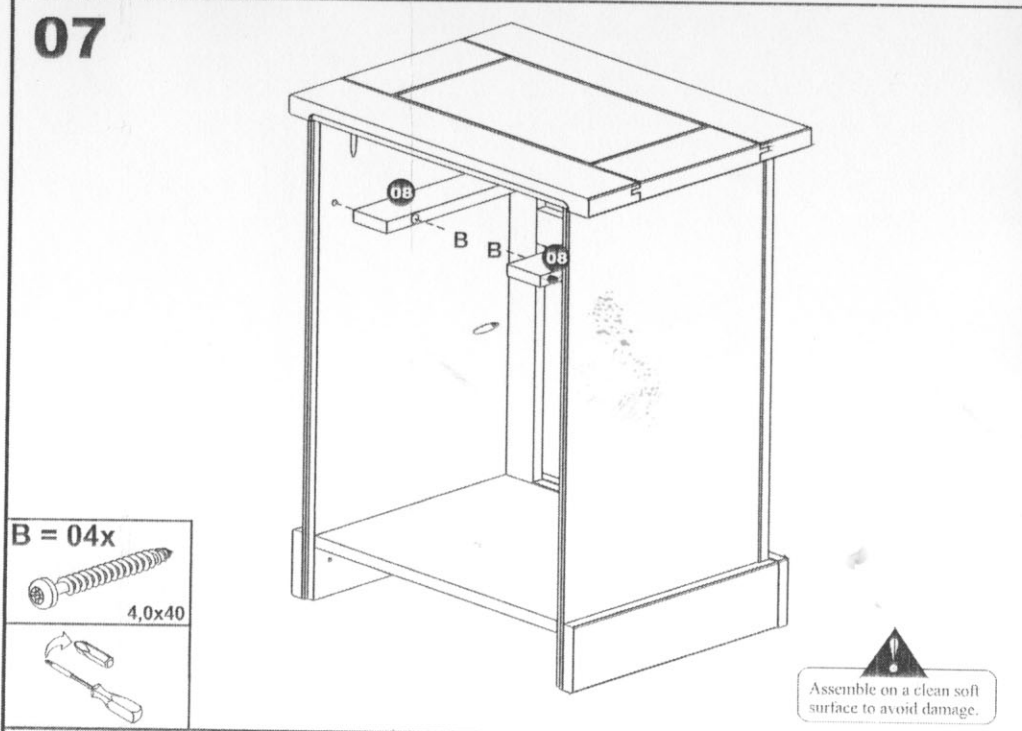
Assemble on a clean soft surface to avoid damage.



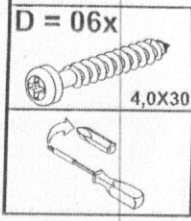
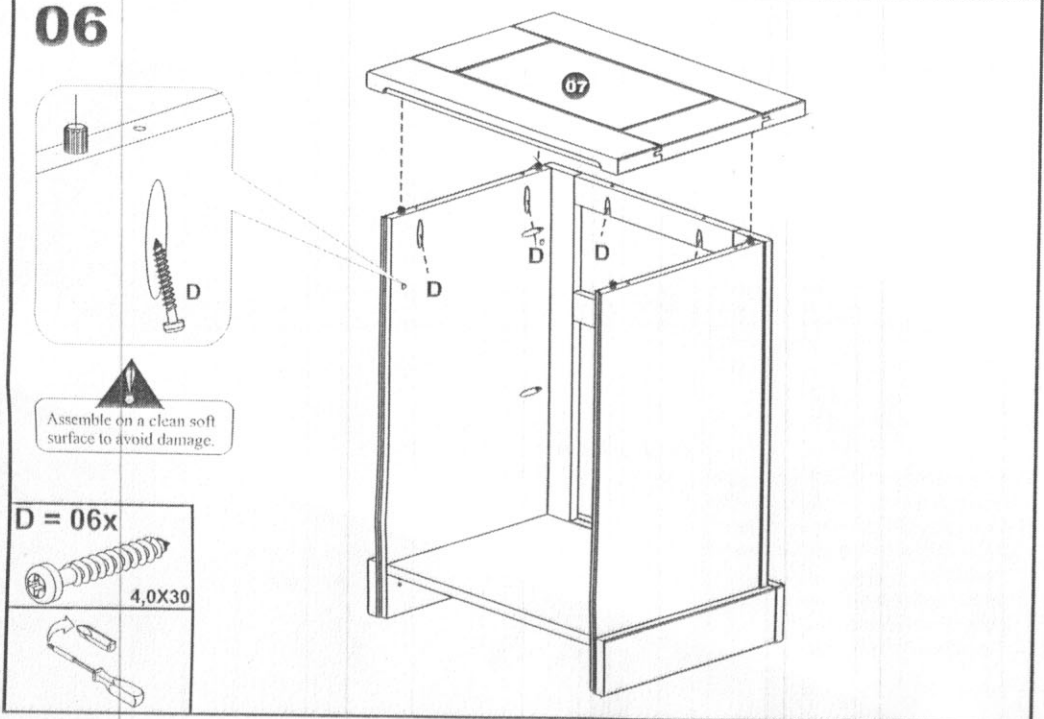
05



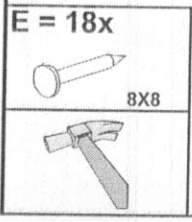
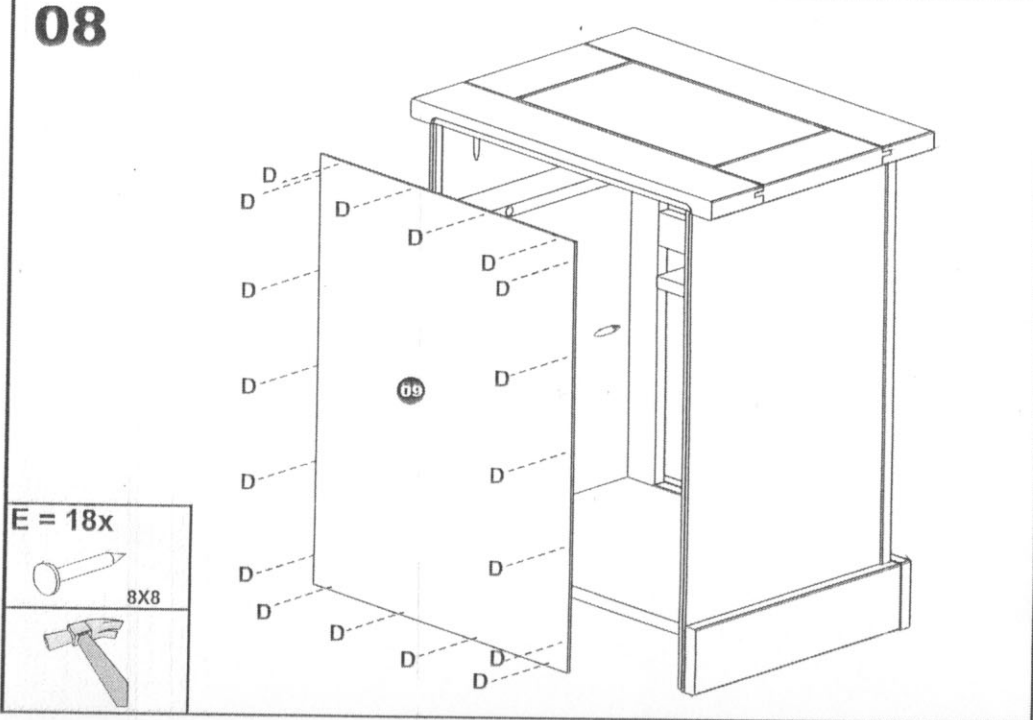
07



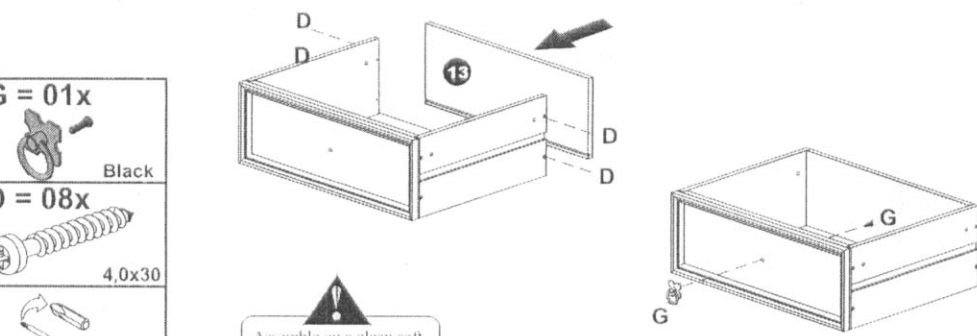
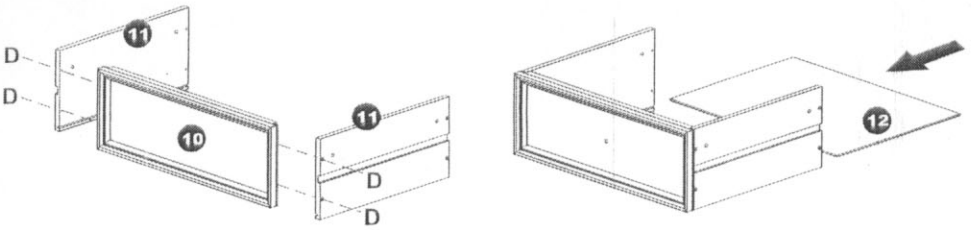
06



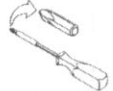


08



# 09

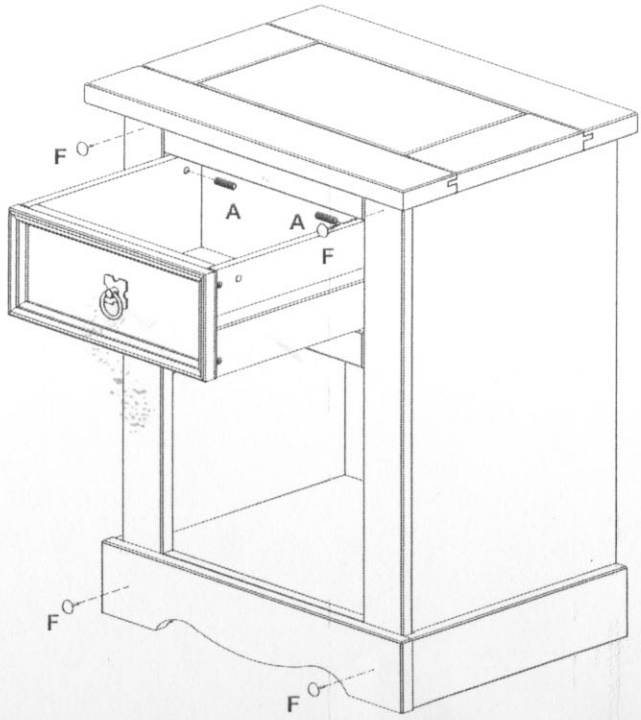




- G = 01x**  
 Black
- D = 08x**  
 4,0x30
- 

# 10

 **OPTIONAL**

 Assemble on a clean soft surface to avoid damage.



- A = 02x**  
 8,0x30
- F = 04x**  
 Black
- 