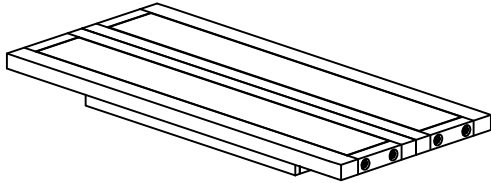
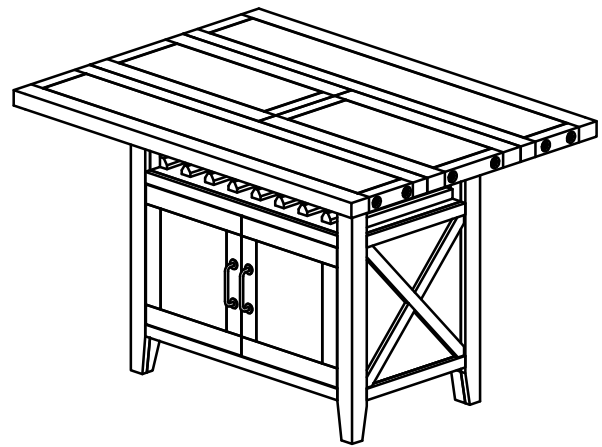


# ASSEMBLY INSTRUCTIONS

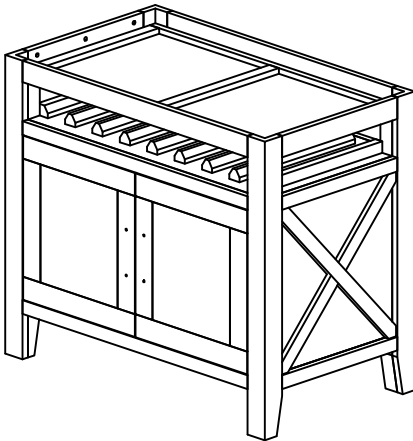
**BOX#1:**  
**A. TABLE TOP 1PC**  
**\*TABLE HARDWARE KIT**









## YOSEMITE CANTINA TABLE ASSEMBLED



**BOX#2:**  
**B. TABLE BASE 1PC**

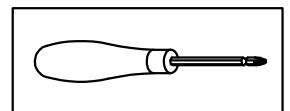


### HARDWARE PACKED IN BOX #1

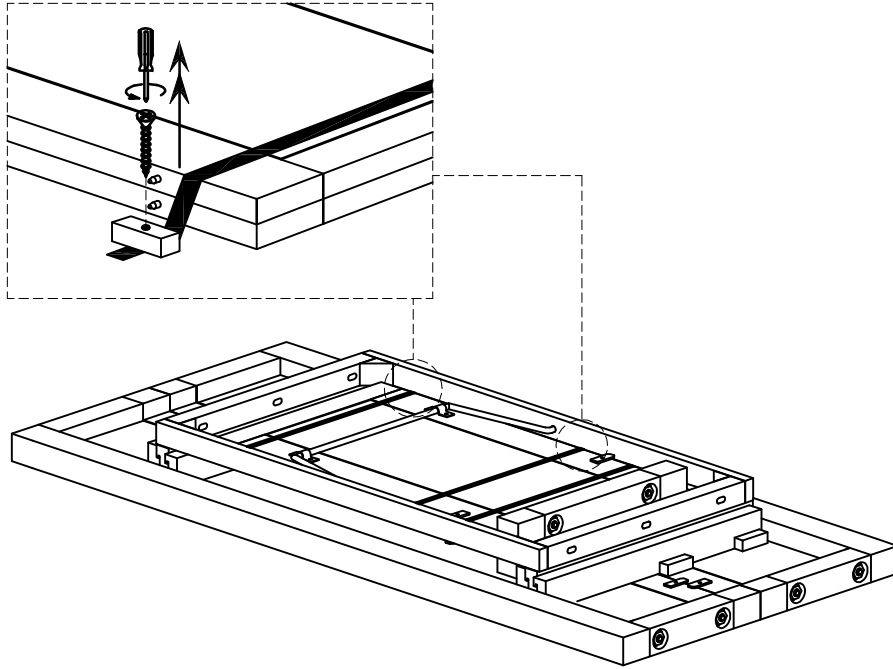
<b>1</b>	ALLEN BOLT M8 x 50	06 PCS	<b>2</b>	WASHER M8	06 PCS	<b>3</b>	SPRING WASHER M9	06 PC
								
<b>4</b>	ALLEN KEY	01 PC	<b>5</b>	DOOR HANDLE [ATTACHED TO TABLE BASE]	04 PCS	<b>6</b>	PHILIPS HEAD BOLT (M4X30) [ATTACHED TO TABLE BASE]	08 PC
								

#### TOOL REQUIRED

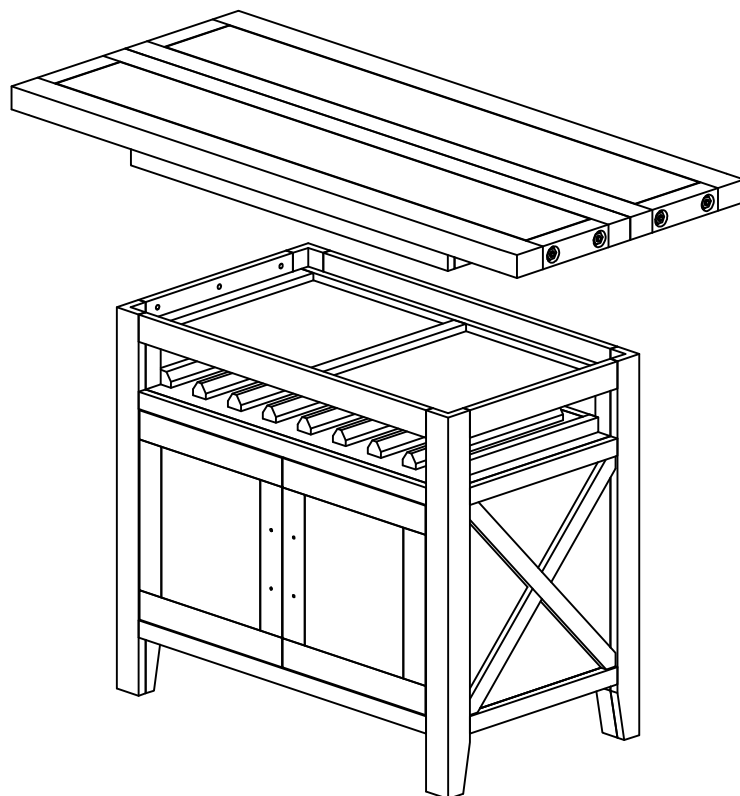
PHILLIPS HEAD SCREW  
 DRIVER NOT PROVIDED



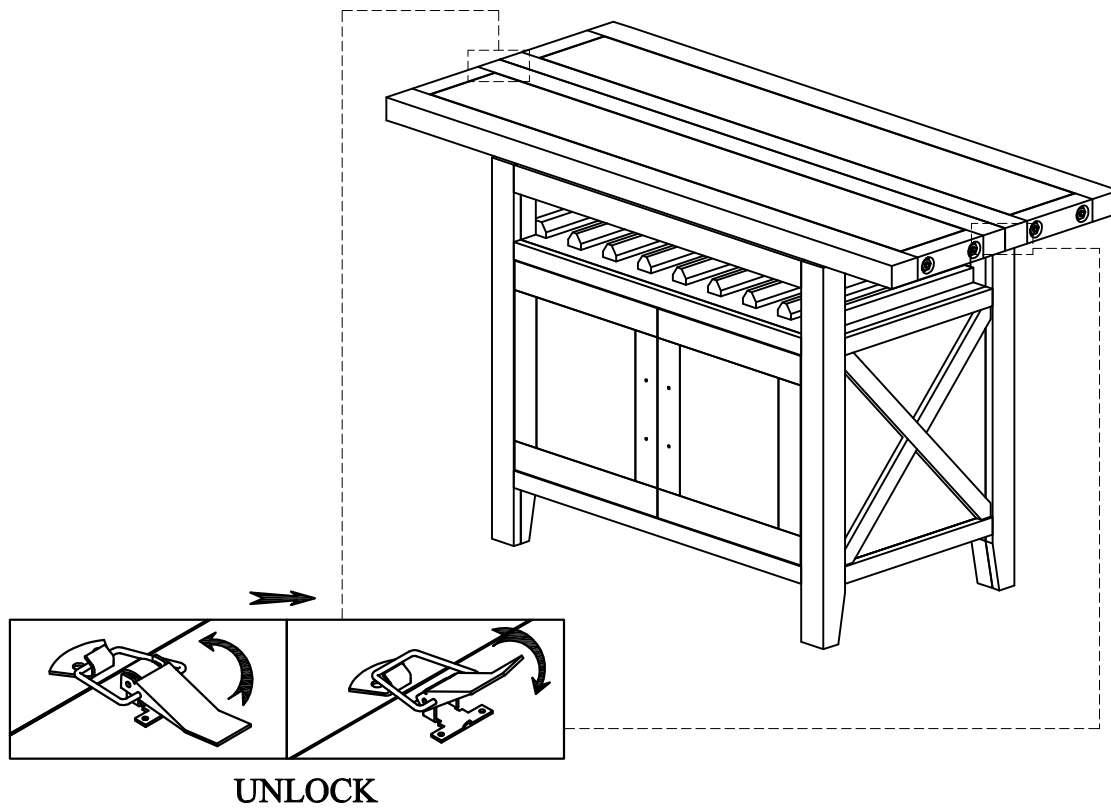
**STOP! BEFORE ASSEMBLING TABLE, FOLLOW ILLUSTRATION BELOW TO REMOVE LEAF CONTAINMENT BLOCKS.**



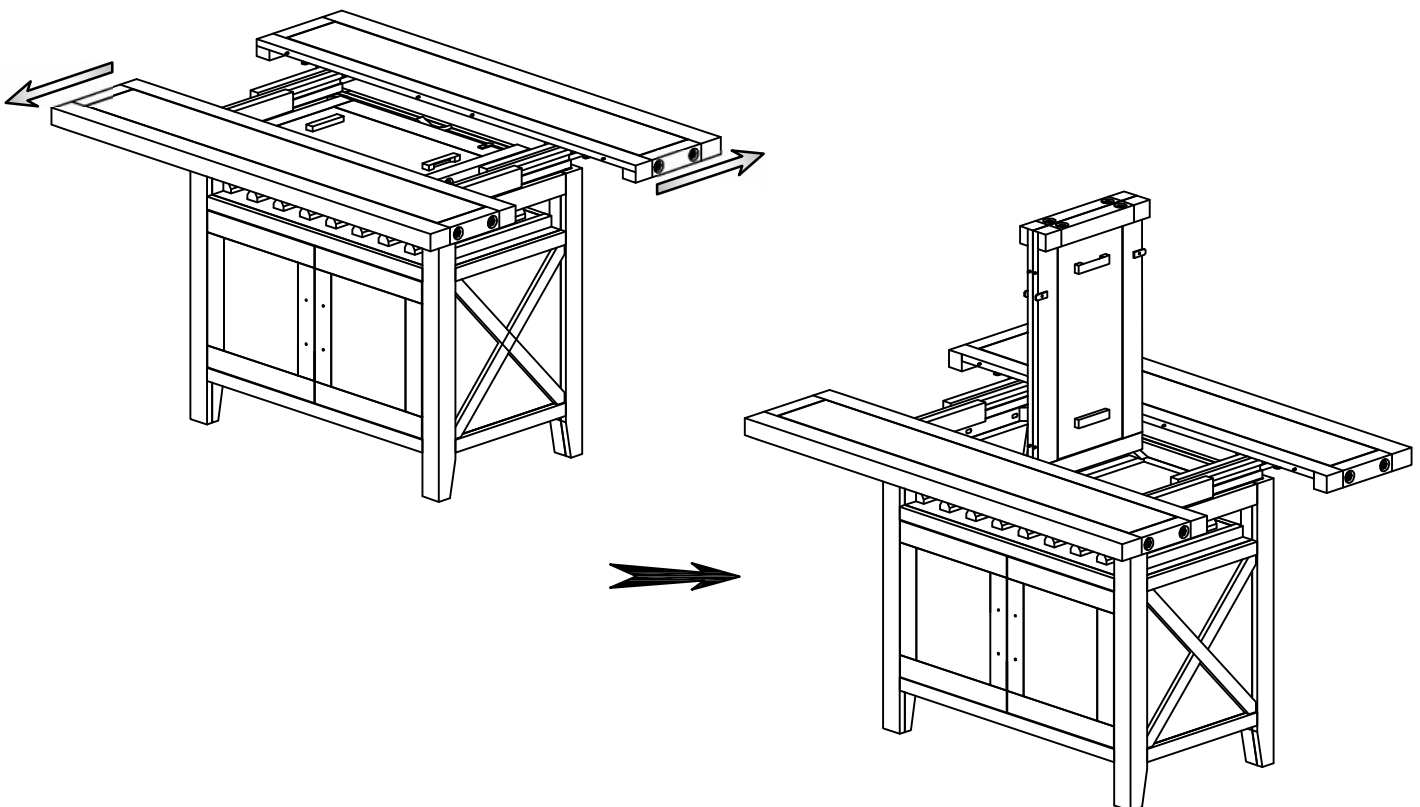
**STEP 1:**



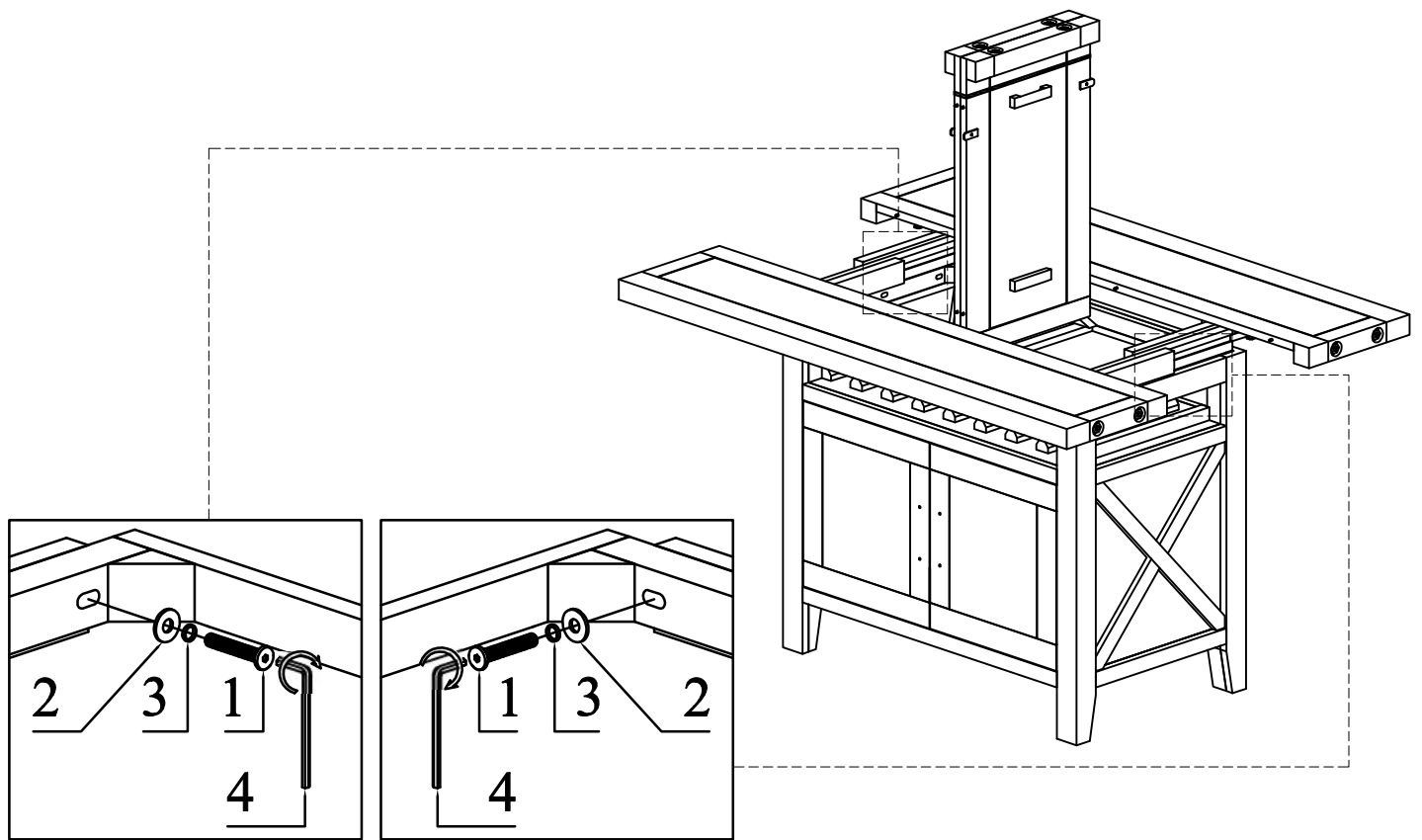
**STEP 2:**



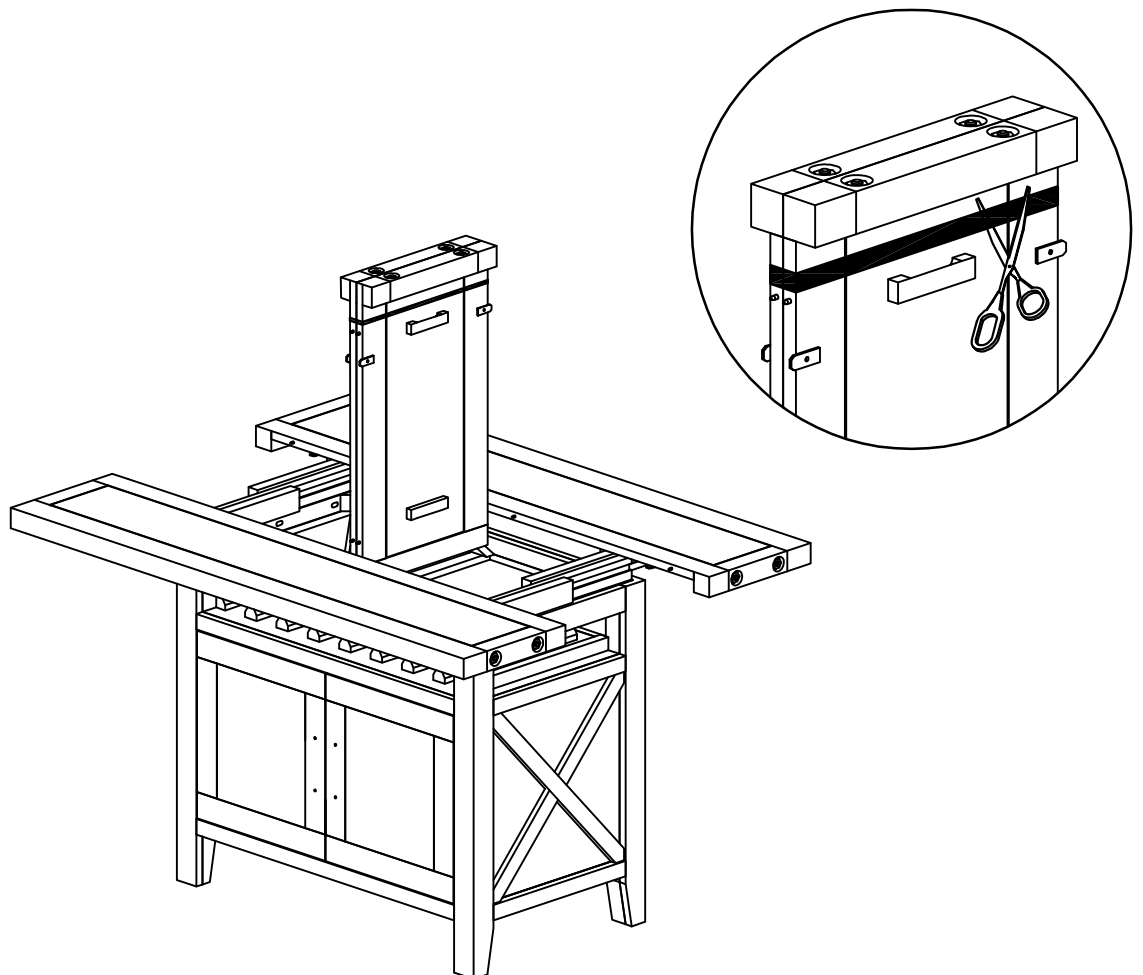
**STEP 3:**



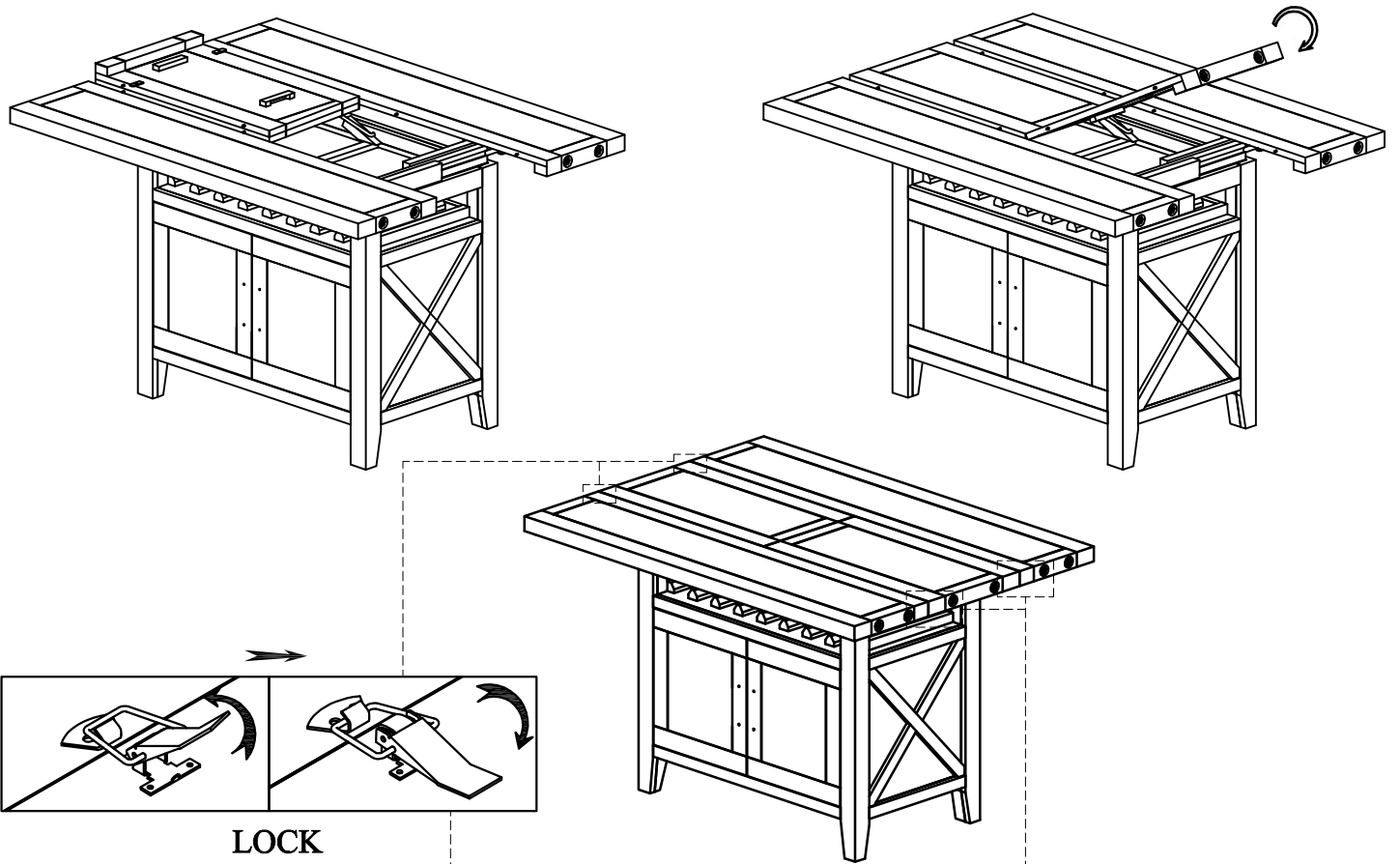
**STEP 4:**



**STEP 5:**



**STEP 6:**



**STEP 7:**

