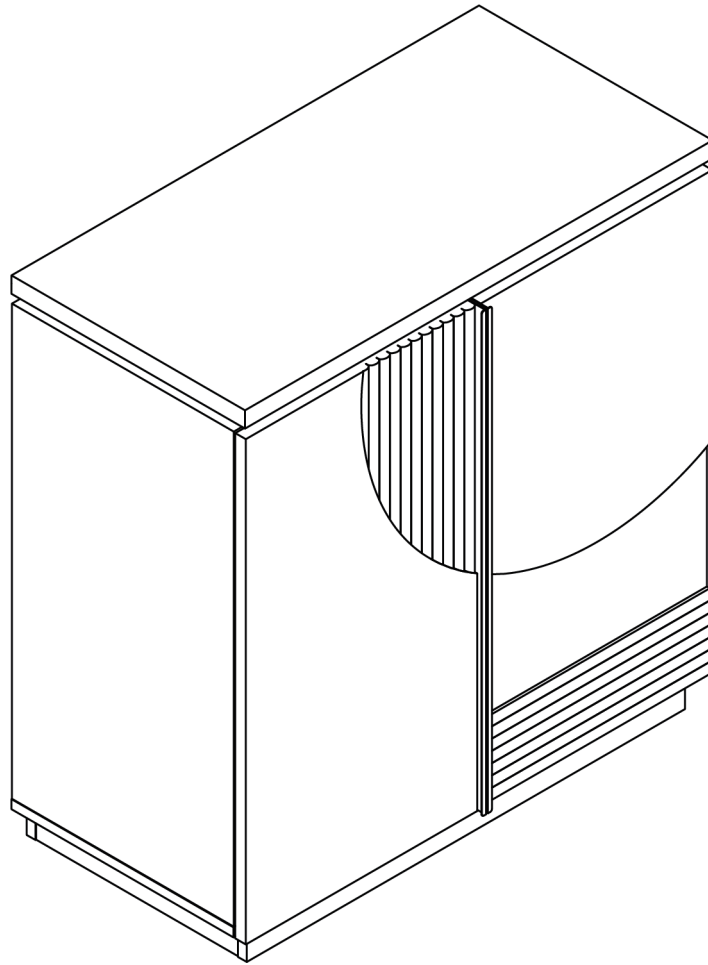


2 Door Sideboard



The instruction booklet contains **IMPORTANT** safety information. Please read it in full and keep it for future reference.

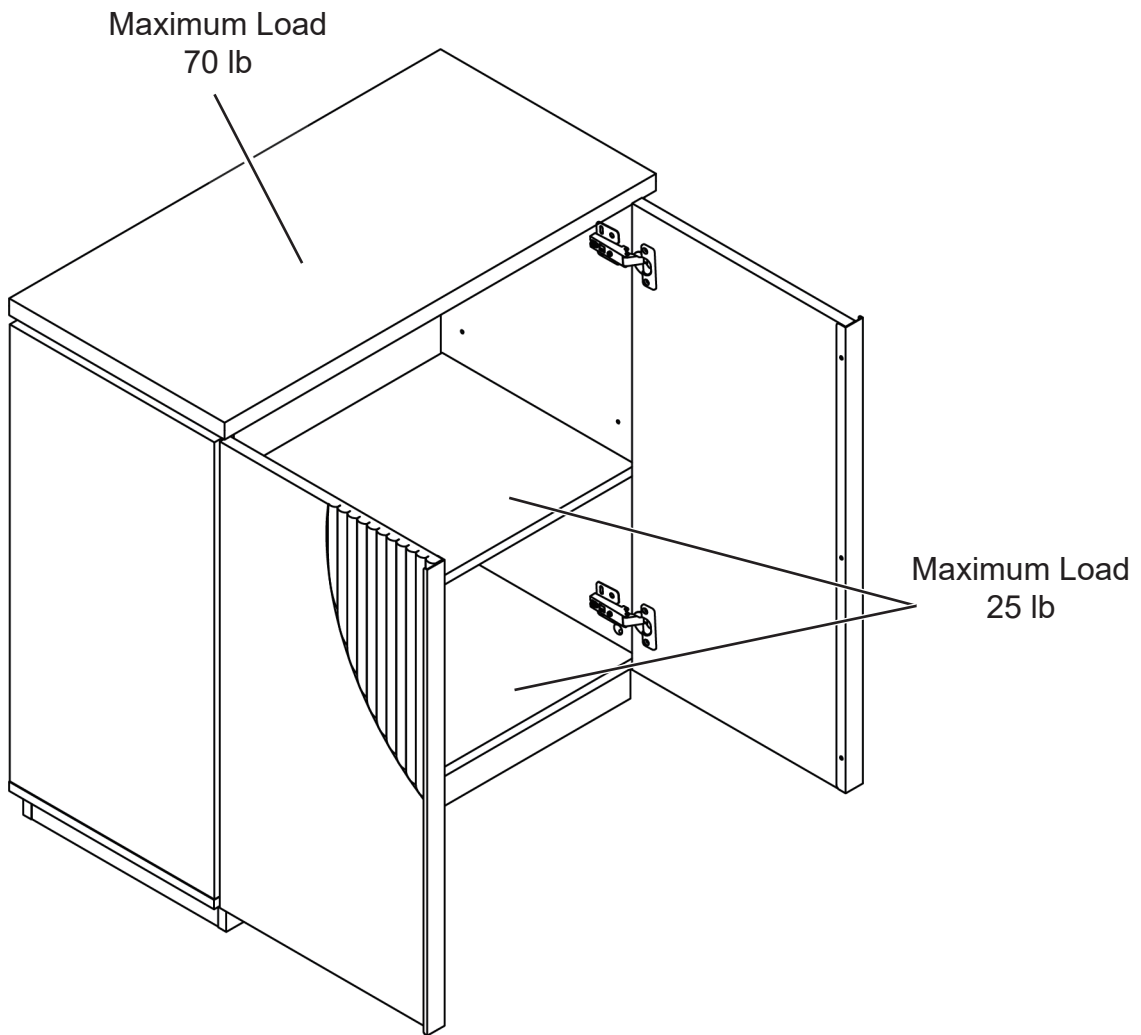


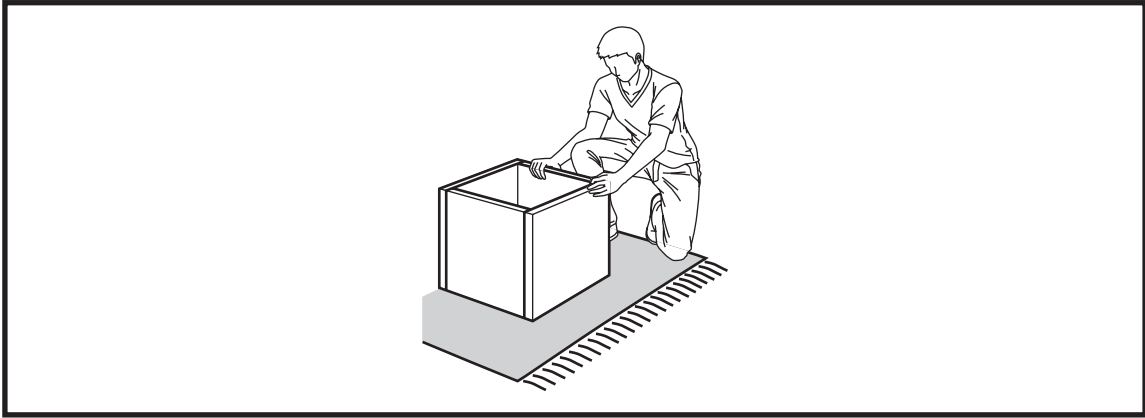
Estimated time for assembly:

60 mins



Weight limitations are as follows:

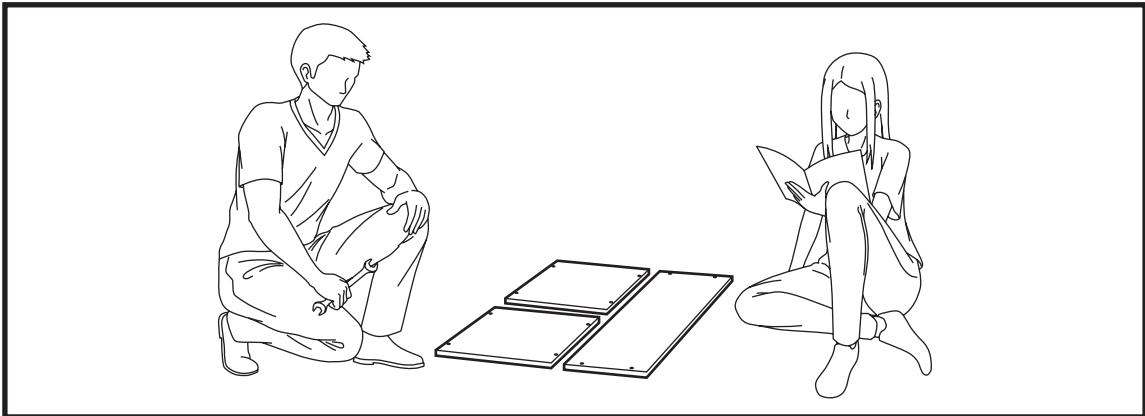




Assemble the furniture on an empty carton, carpet, or rug to prevent scratches or damage.

For safety, please keep pets and children away from the assembly area.

Ensure the product is fully assembled before use. If you are missing any hardware or products, do not use it until you have restored the missing parts.



This furniture requires 2 people for assembly.

Read this instruction manual prior to assembly to familiarize yourself with the various steps.

Lay out all components and hardware separately on a flat surface and make sure that no parts are missing or damaged before assembly. Do not destroy or discard any packaging until you are certain that you have all the necessary parts for assembly.

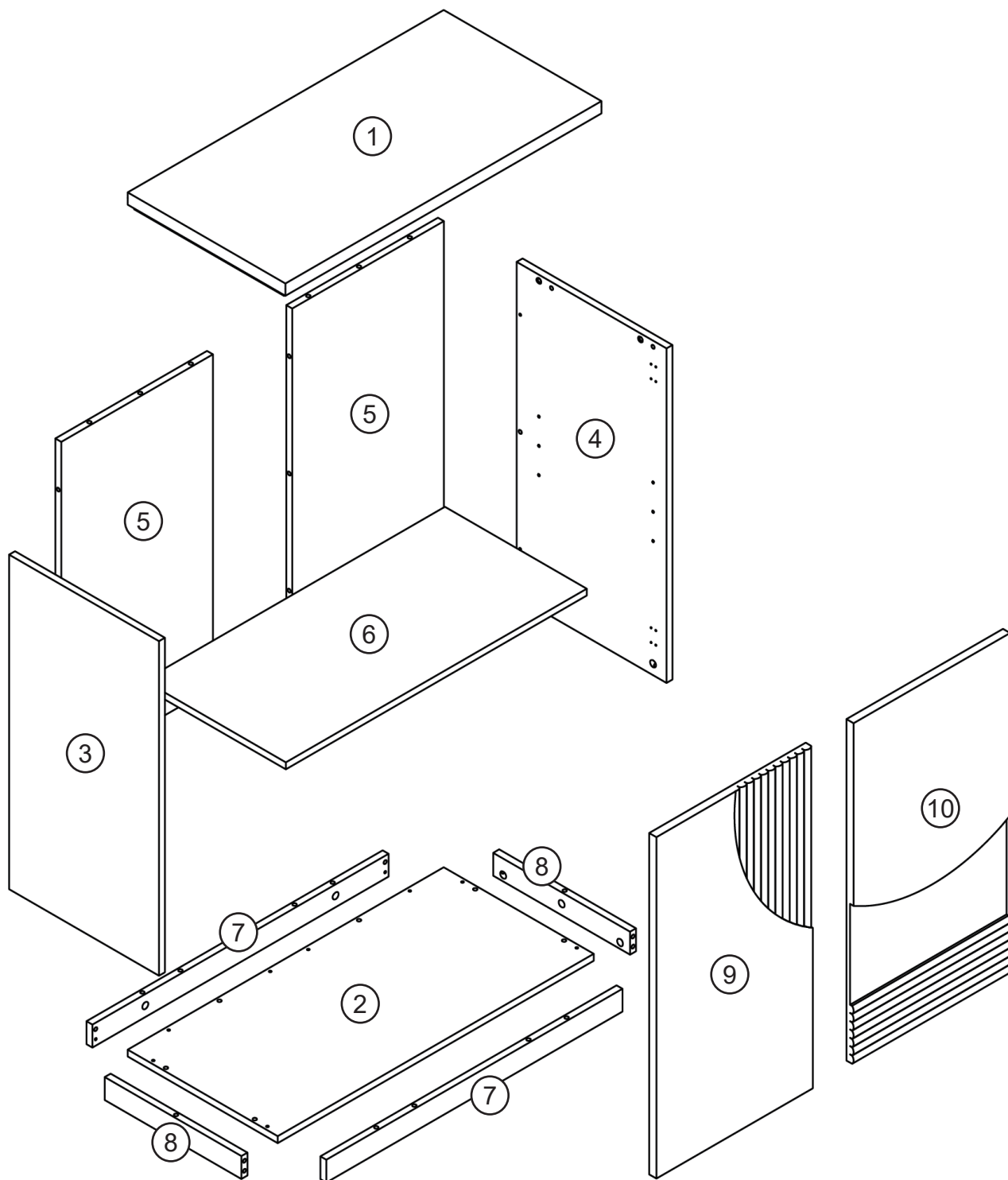
Hand tight all hardware and careful not to over tighten to avoid damaging the product.

CAUTION

There are small components used in the construction of this product. Loose items should be kept away from pets and children to avoid a choking hazard.

Keep all plastic bags and packaging film away from pets and children to avoid suffocation.

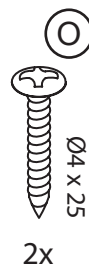
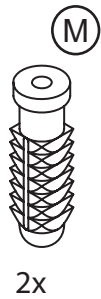
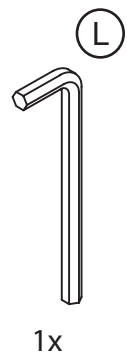
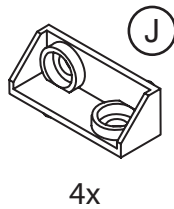
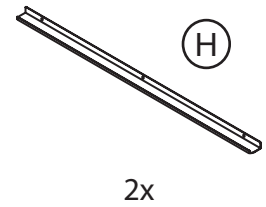
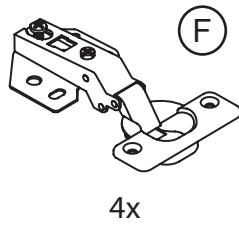
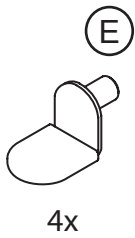
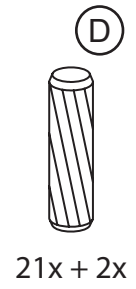
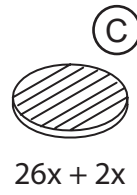
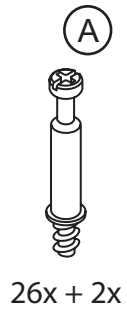
PACKAGE CONTENTS



PACKAGE CONTENTS

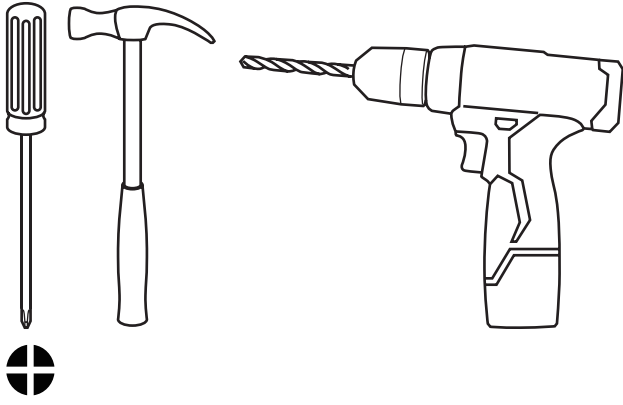
CODE	DESCRIPTION	QTY
1	Top Panel	1
2	Bottom Panel	1
3	Left Lateral Panel	1
4	Right Lateral Panel	1
5	Back Panel	2
6	Storage Shelf Panel	1
7	Long Base Strip	2
8	Short Base Strip	2
9	Left Cabinet Door	1
10	Right Cabinet Door	1

PACKAGE CONTENTS



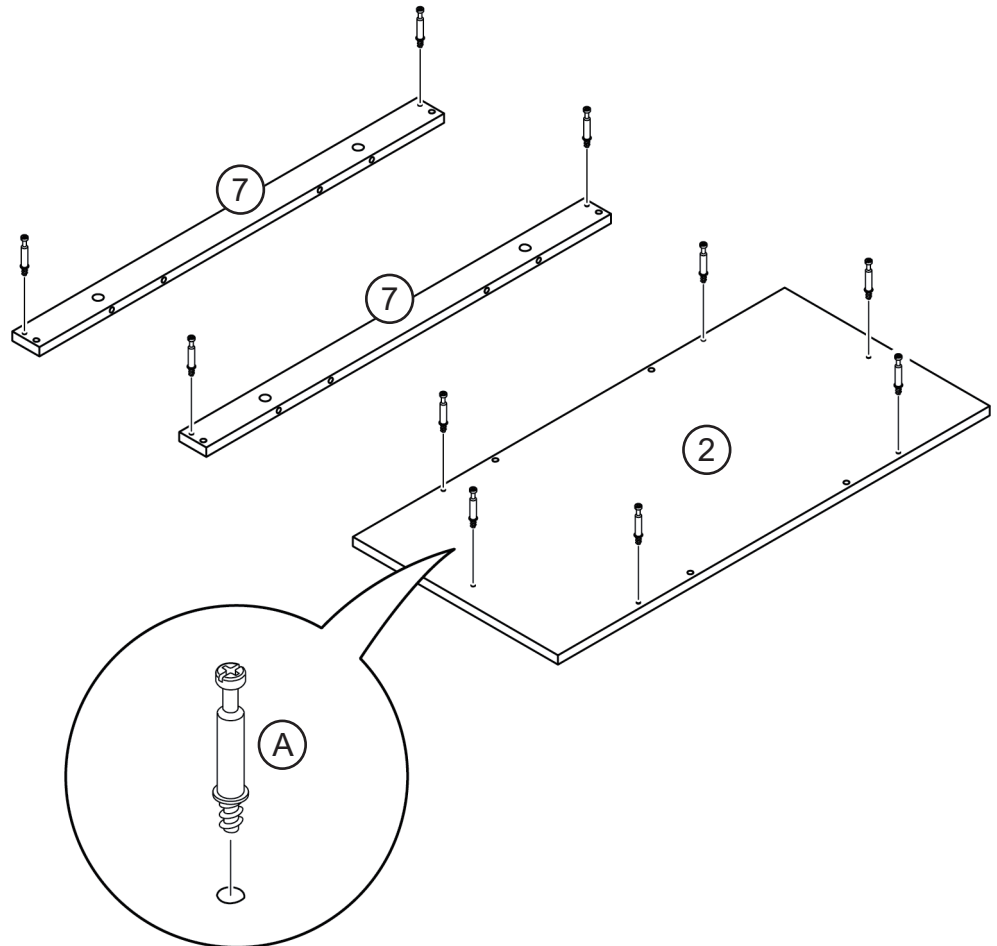
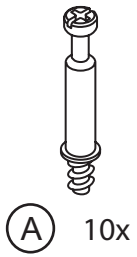
Install all hardware perpendicular to the opening.

Required tools for assembly (Not included)



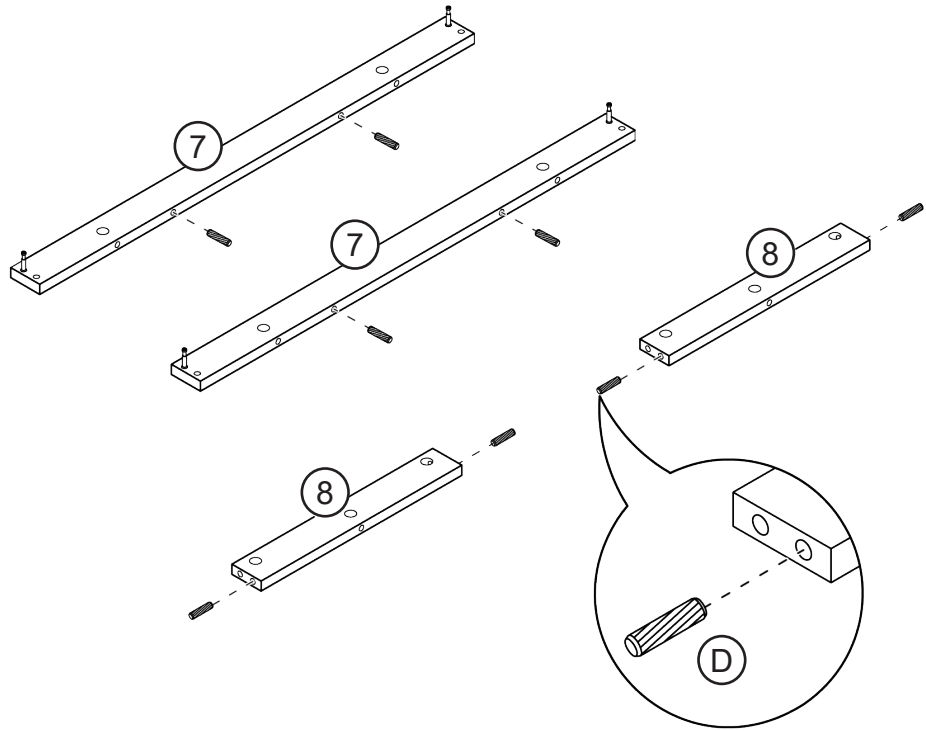
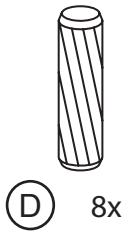
1

Attach cam bolts to the bottom panel (2) and long base strips (7).



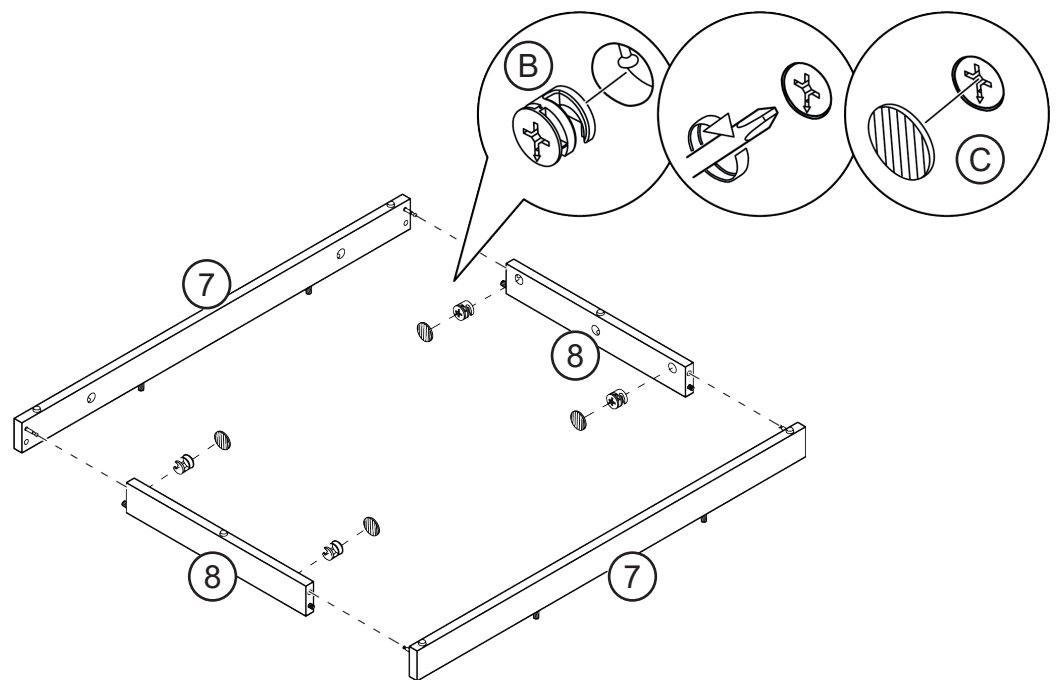
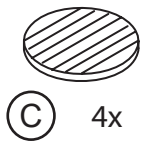
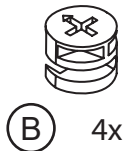
2

Insert wood dowels to the all the base strips (7, 8).



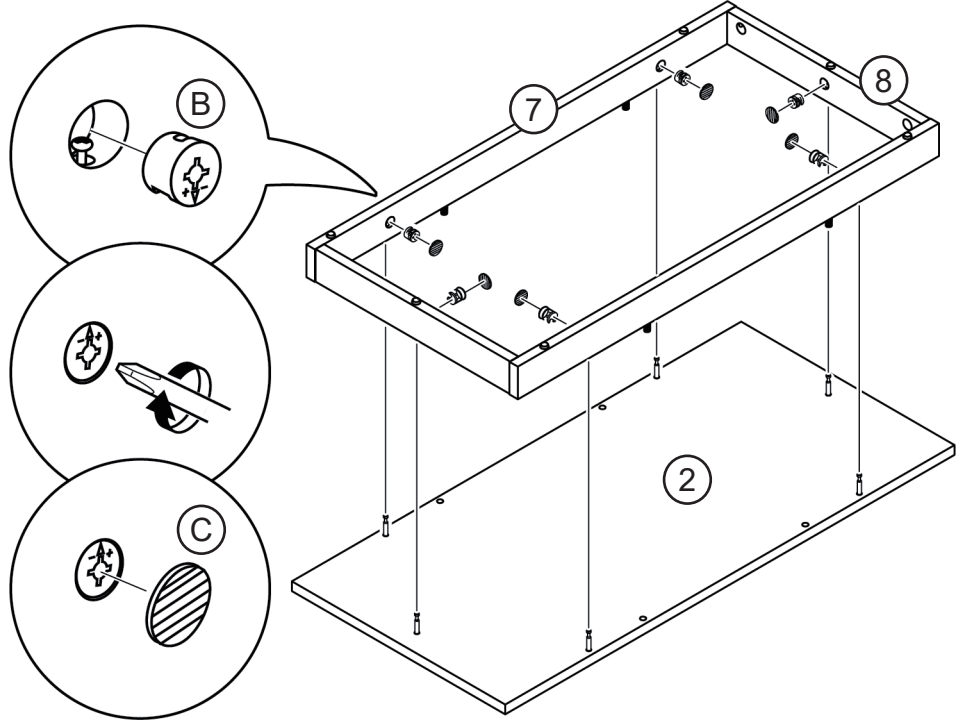
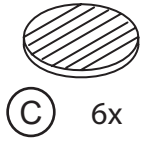
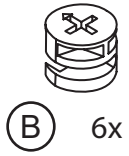
3

Assemble short base strips (8) between the long base strips (7).



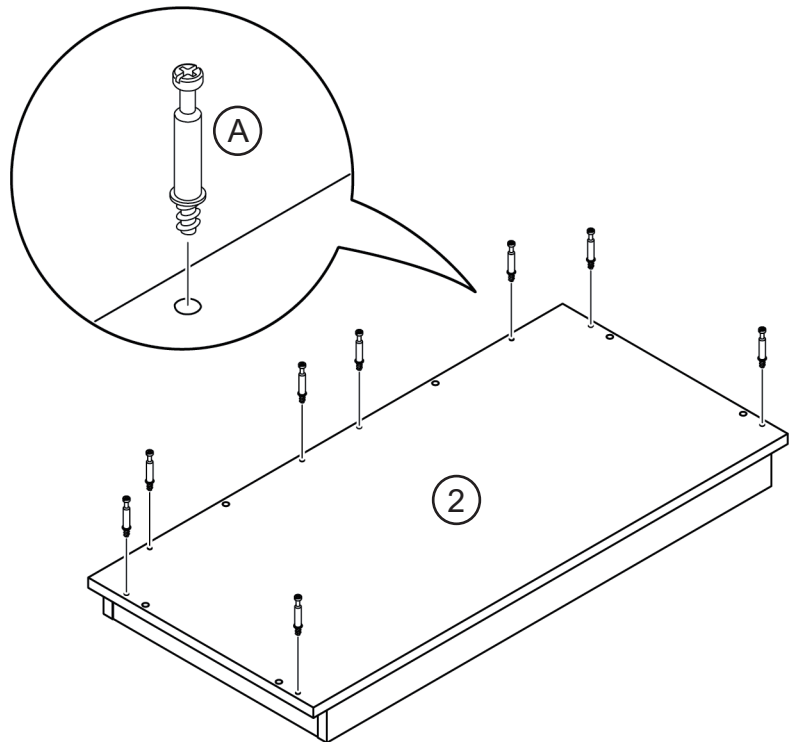
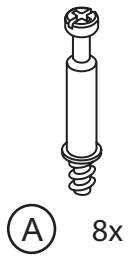
4

Assemble the base to the bottom panel (2).



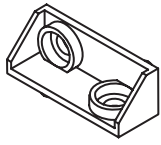
5

Attach cam bolts on top of the bottom panel (2).



6

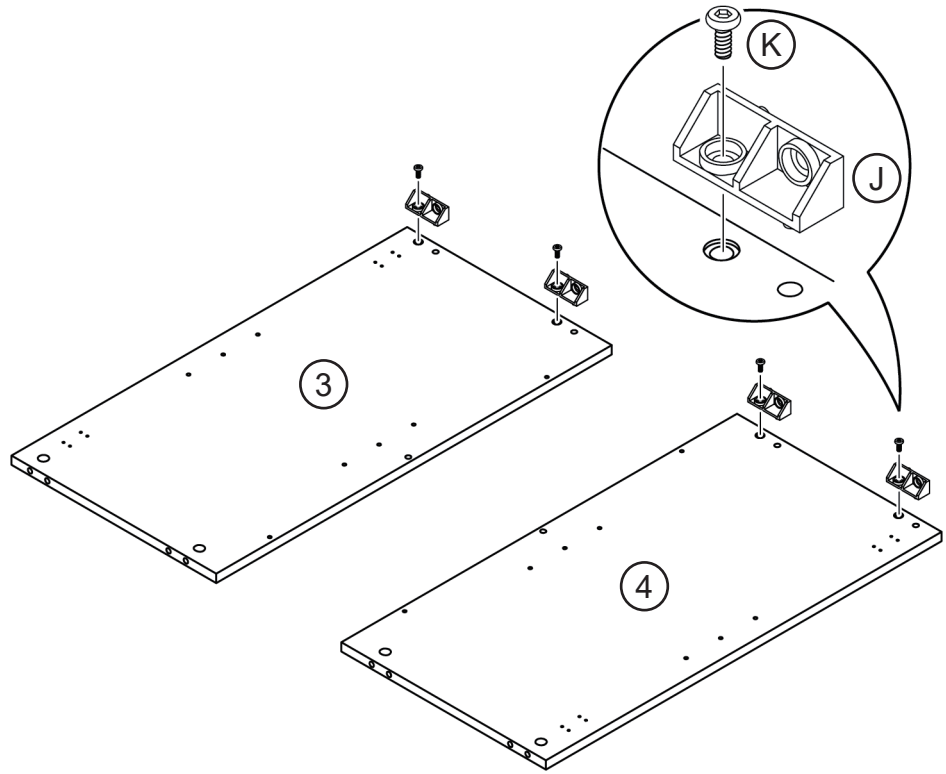
Attach corner connectors to the lateral panels (3, 4).



J 4x



K 4x

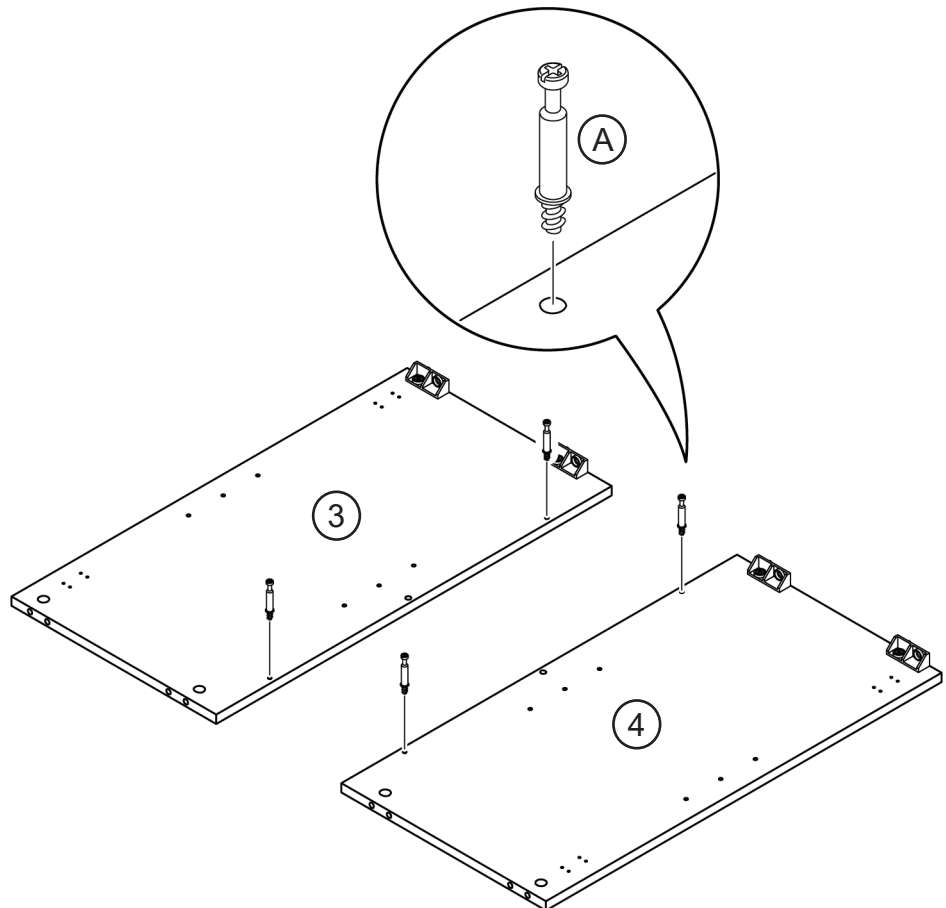


7

Attach cam bolts to the lateral panels (3, 4).

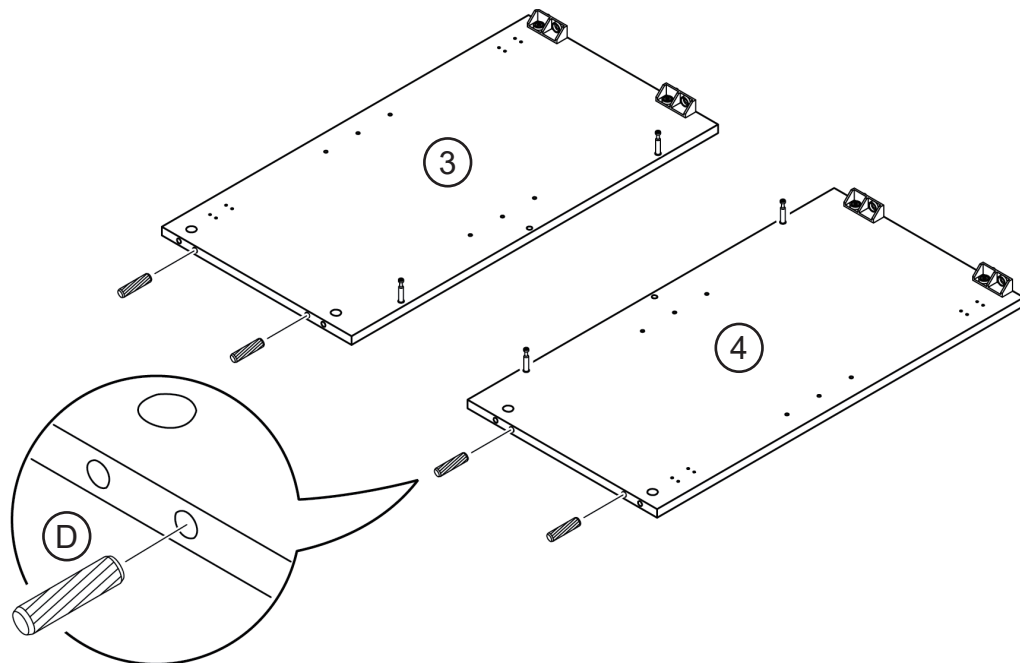
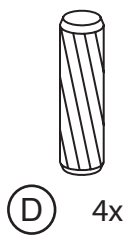


A 4x



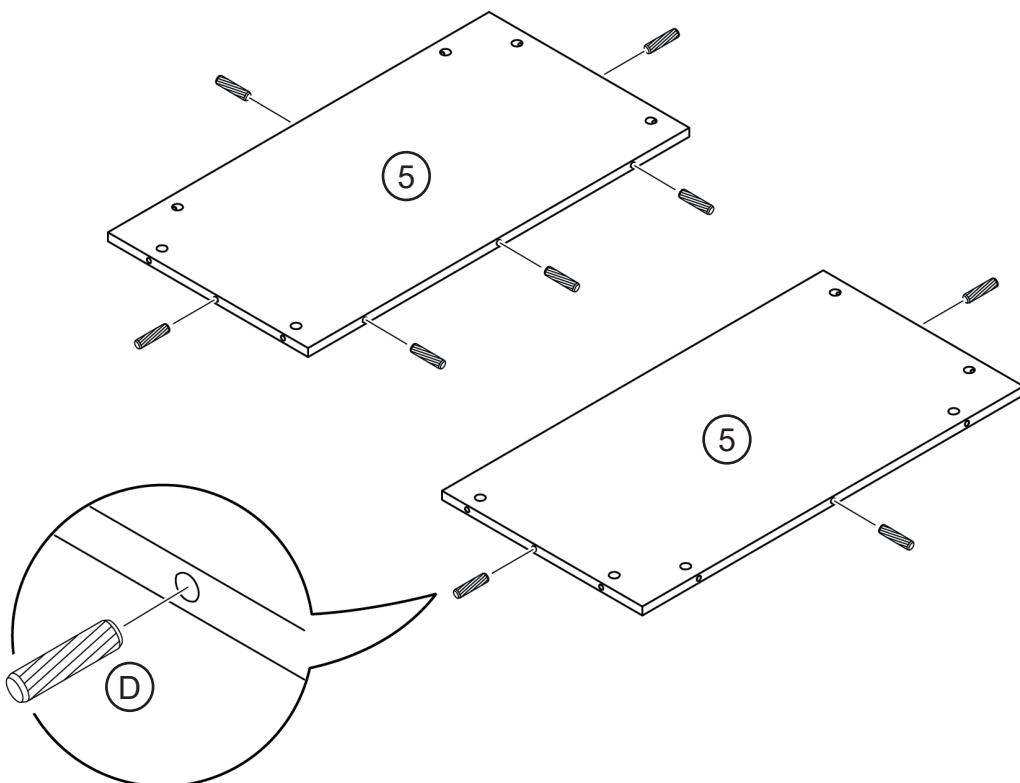
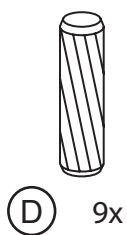
8

Insert wood dowels to the lateral panels (3, 4).



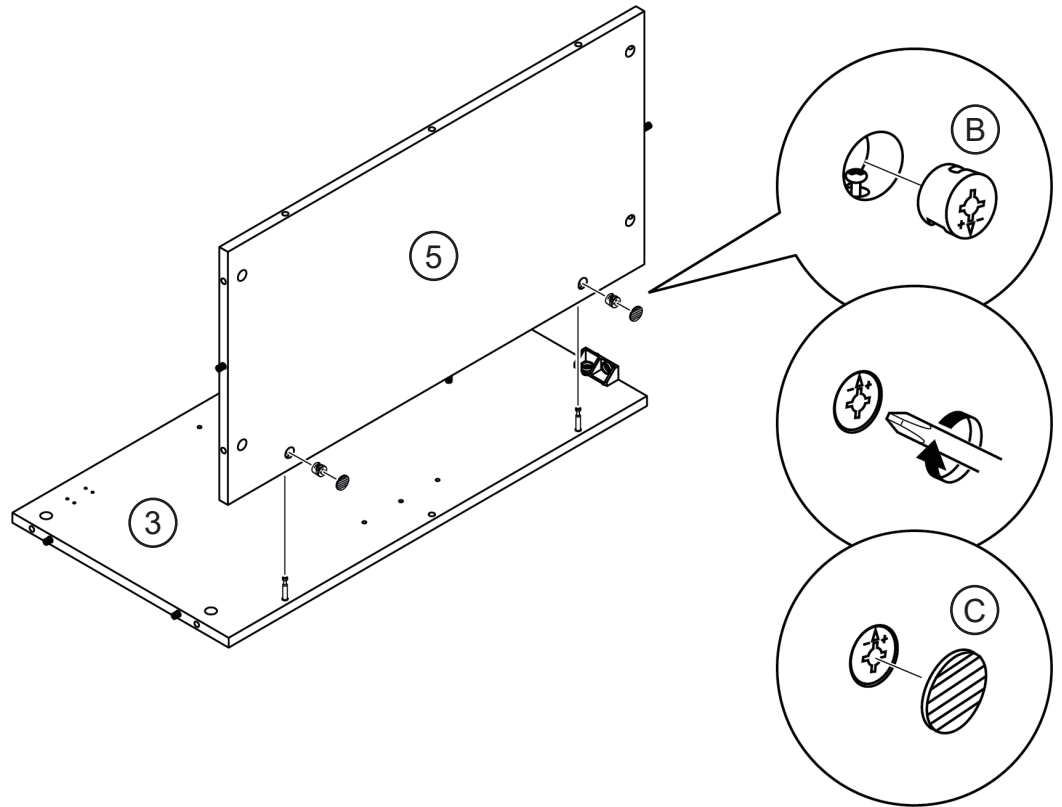
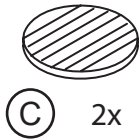
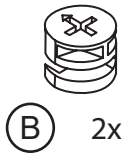
9

Insert wood dowels to the back panels (5).



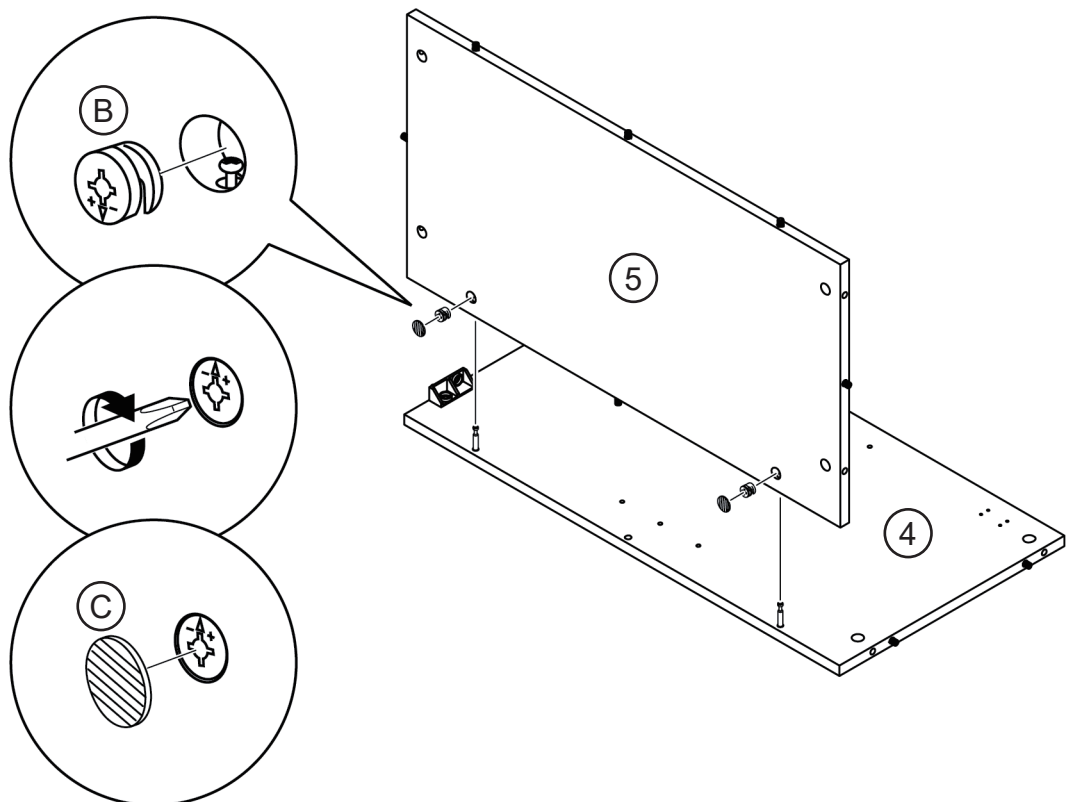
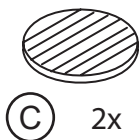
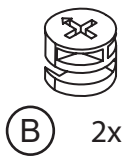
10

Assemble a back panel (5) to the left lateral panel (3).



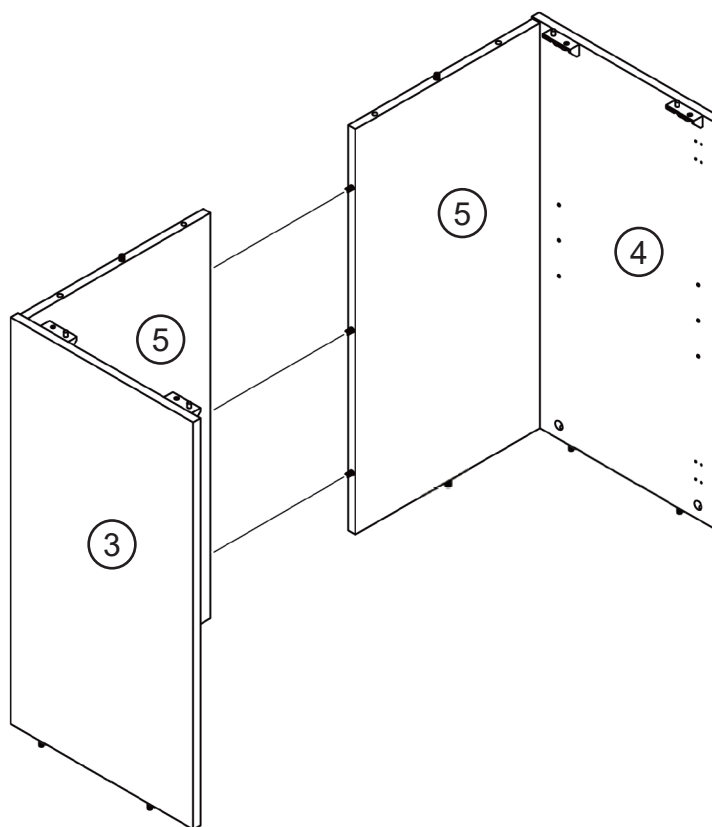
11

Assemble the other back panel (5) to the right lateral panel (4).



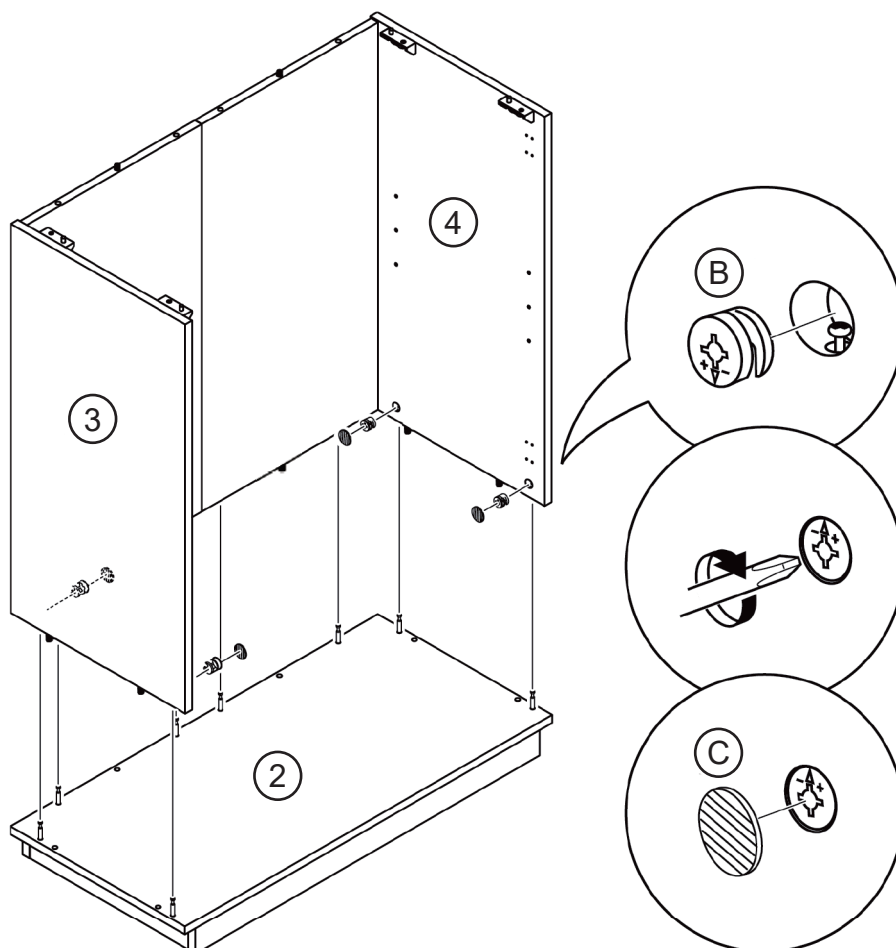
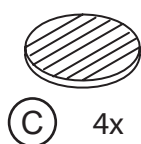
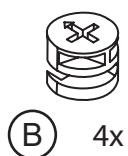
12

Connect the two back panels (5) together.



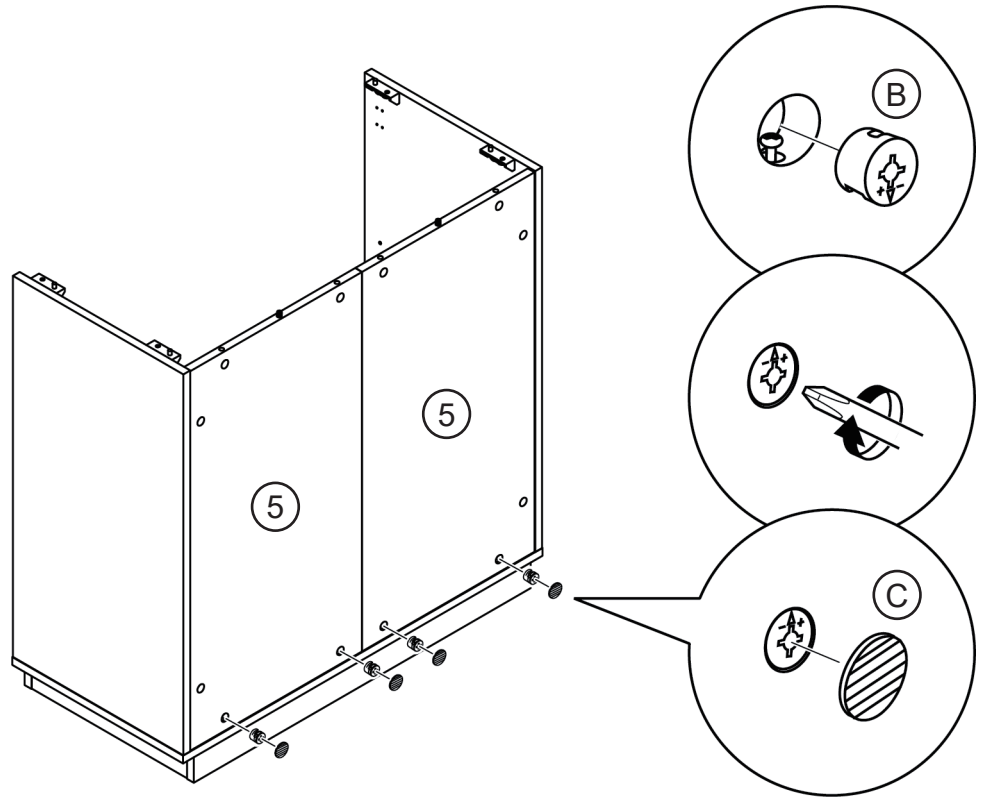
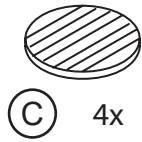
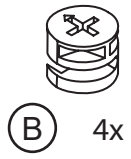
13

Assemble the lateral panels onto the bottom panel.



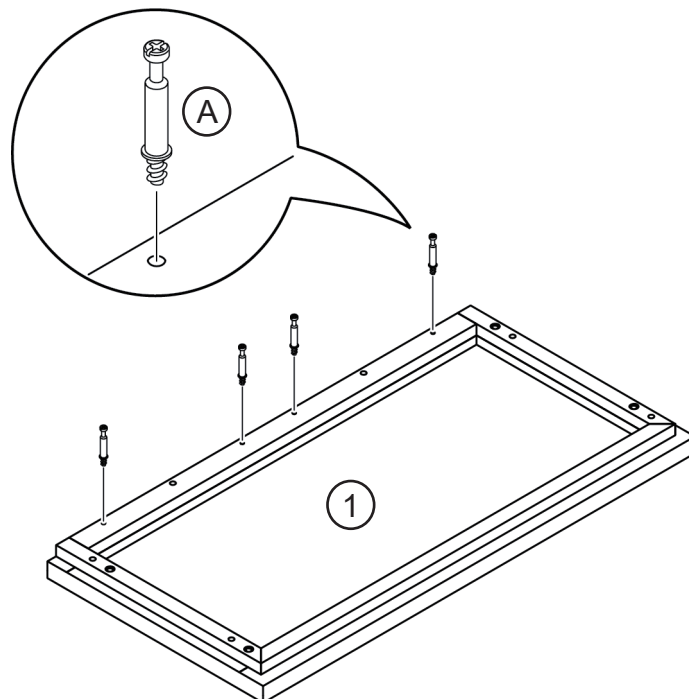
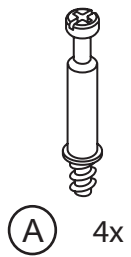
14

Secure the back panels to the bottom panel.



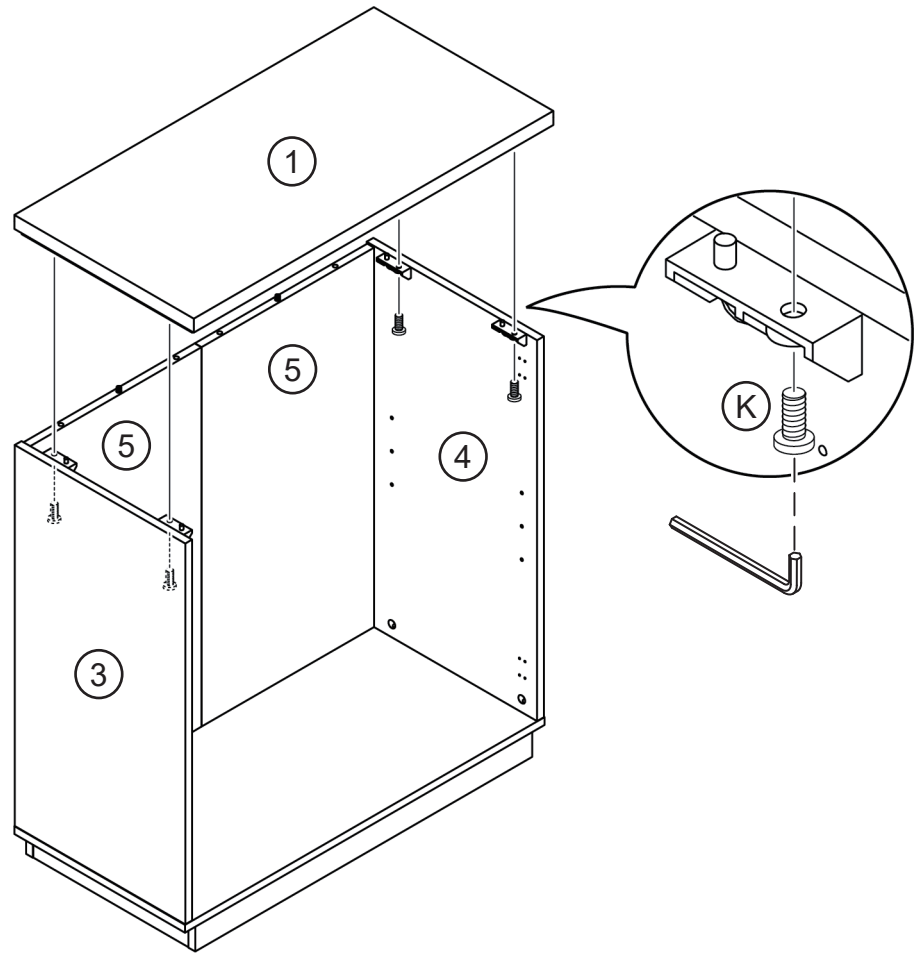
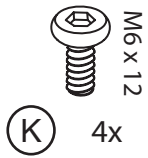
15

Attach cam bolts to the top panel (1).



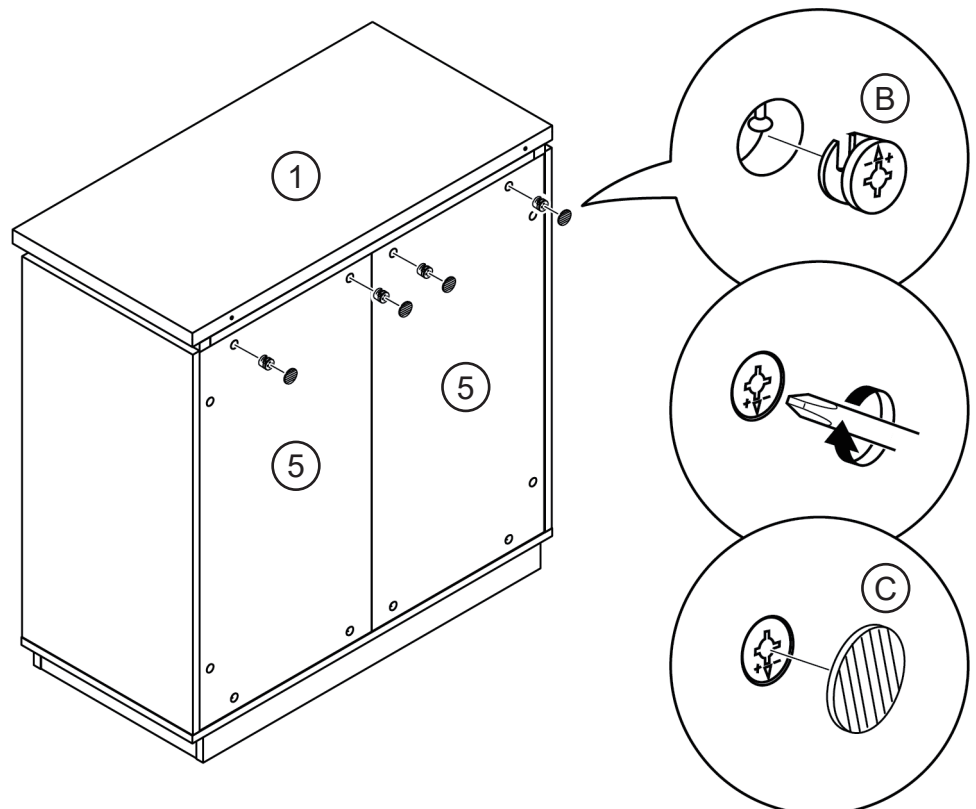
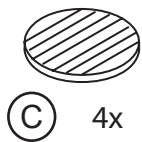
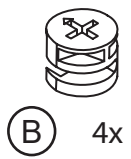
16

Assemble the top panel (1) to the sideboard assembly.



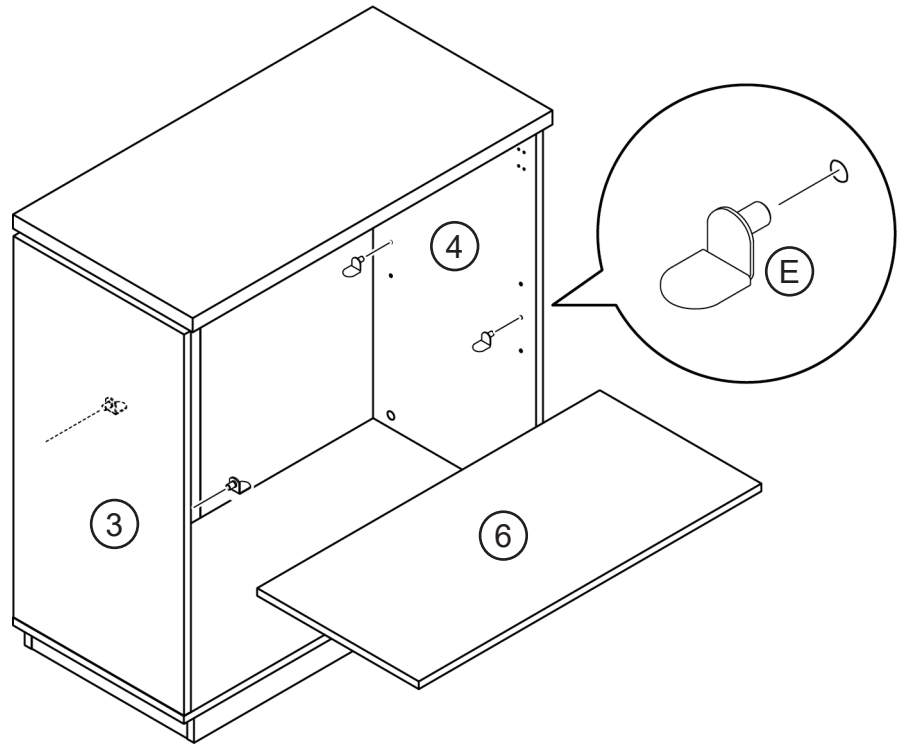
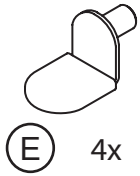
17

Secure the back panels (5) to the top panel (1).



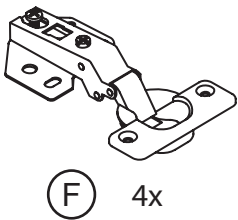
18

Insert shelf pegs into the sideboard and place the storage shelf panel (6) onto the pegs.



19

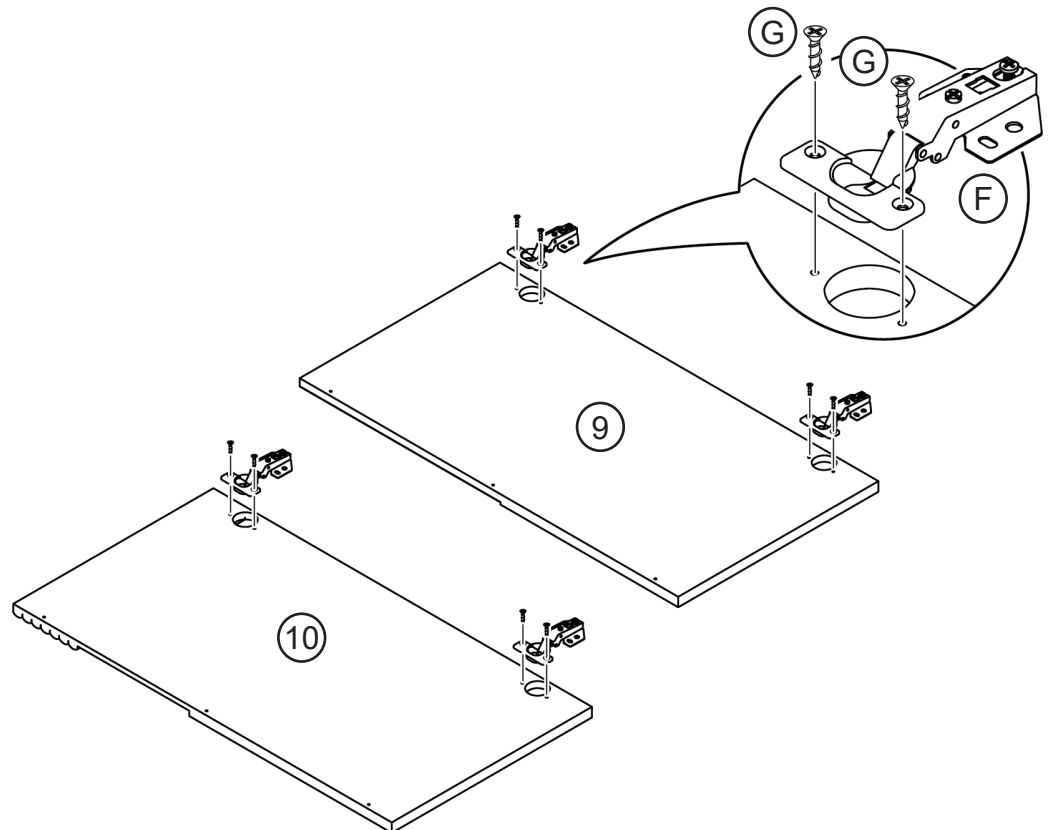
Attach door hinges to the cabinet doors (9,10).



(F) 4x

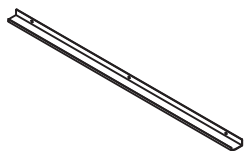


(G) 8x

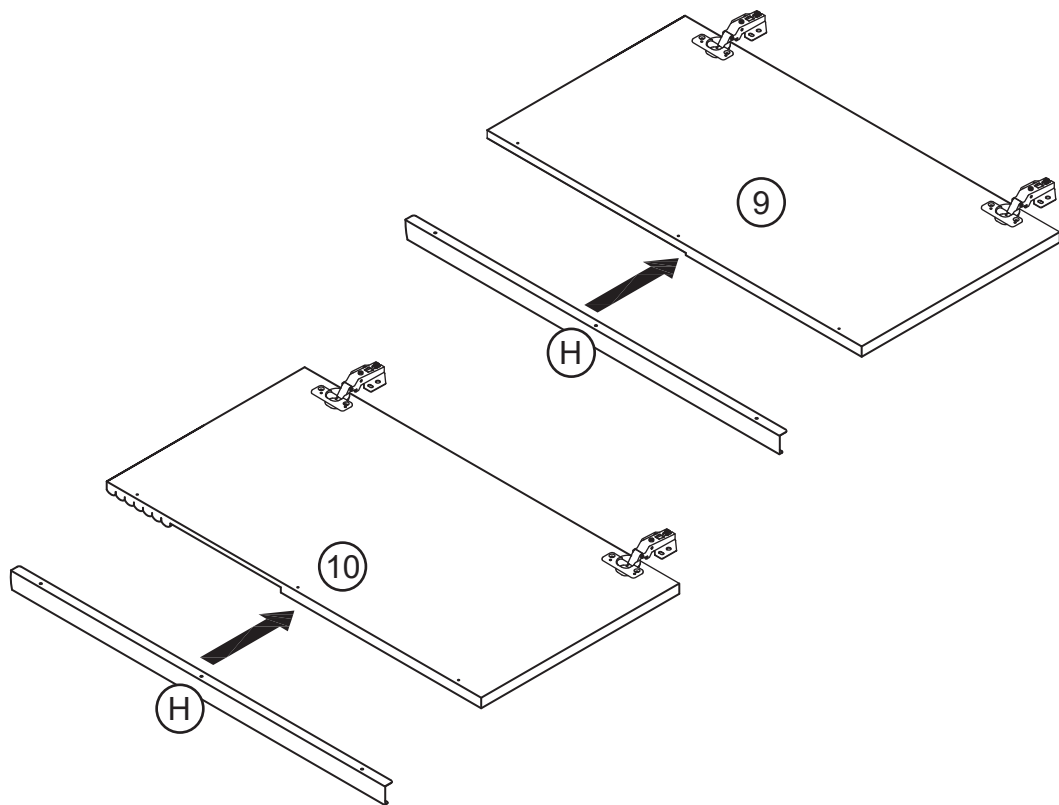


20

Attach door handles to the cabinet doors (9, 10).



(H) 2x

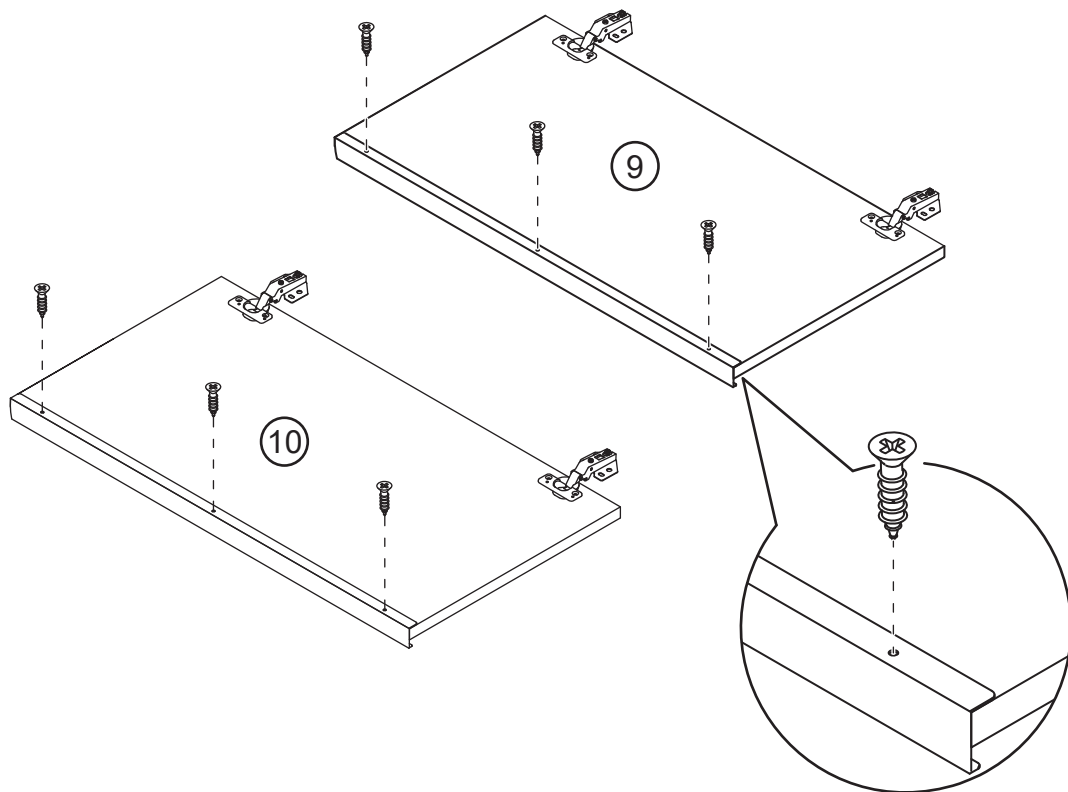


21

Attach door handles to the cabinet doors (9, 10).

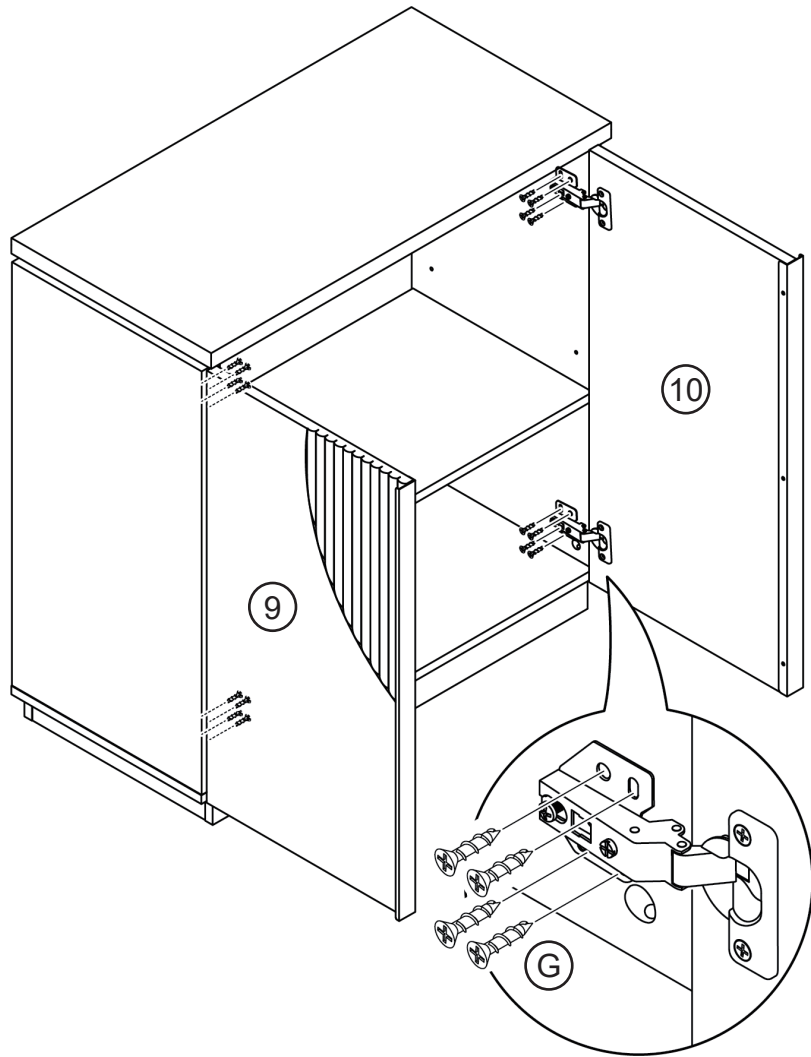
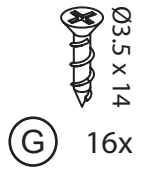


① 6x

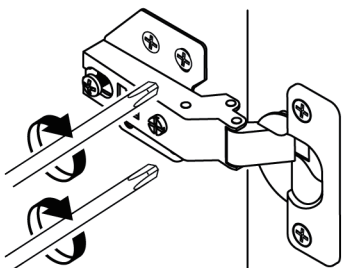
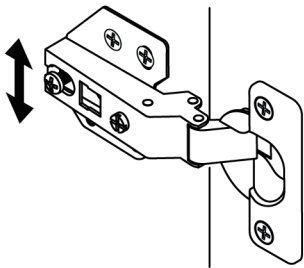
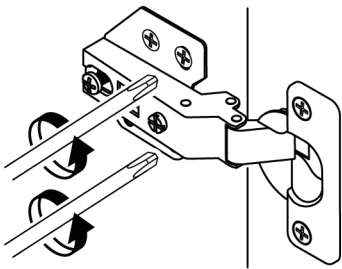
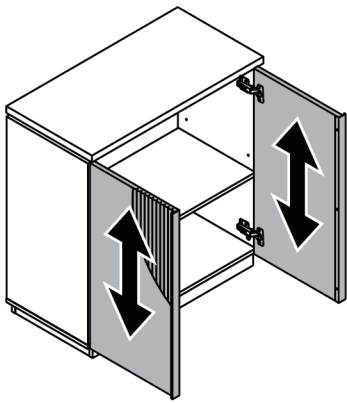


22

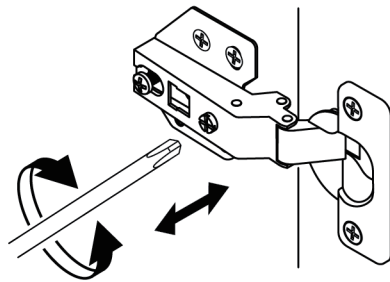
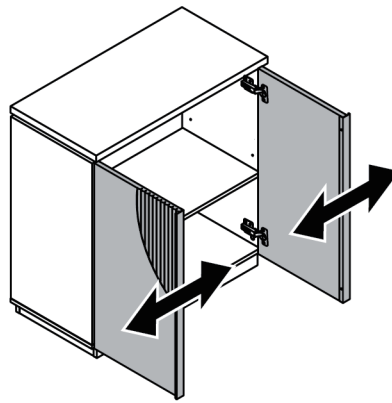
Attach anti-tipping straps to the back of the sideboard.



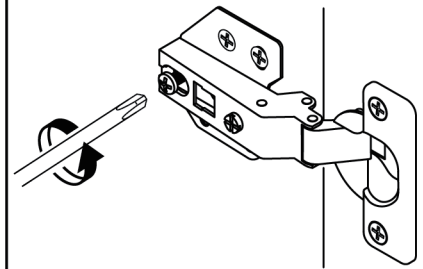
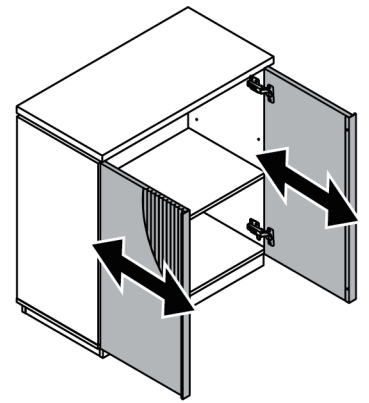
When the clearance of the door is uneven, Adjust the cabinet door according to the figure.
If you still have trouble while adjusting the door, please contact us.



Up and down adjustment by loosening the screws on the mounting plate.



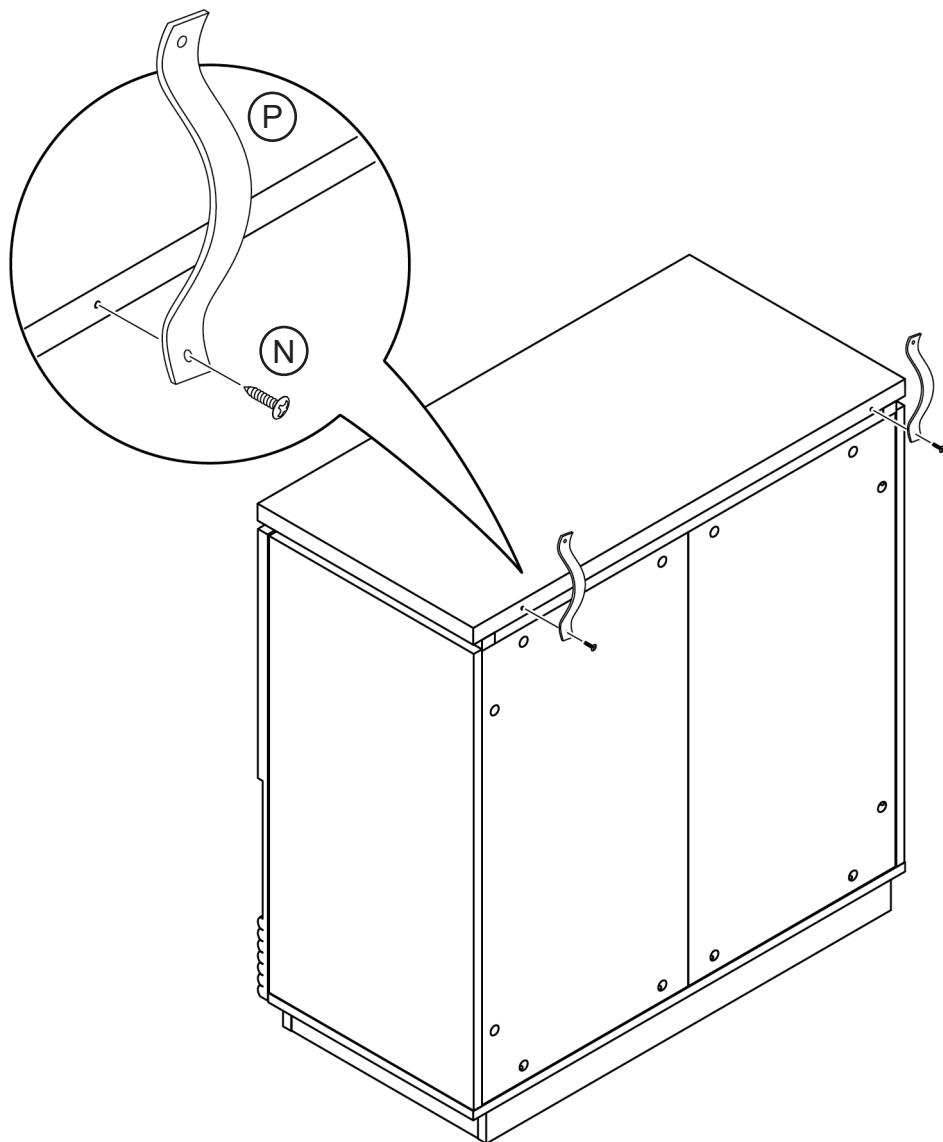
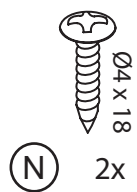
Side to side adjustment using the front adjustment screw on the hinge.



In and out adjustment by loosening the screws on the hinge arm.

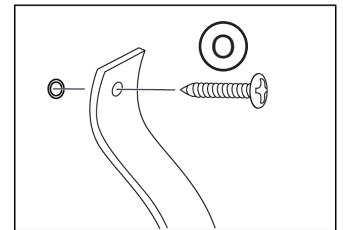
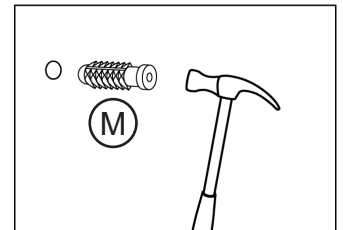
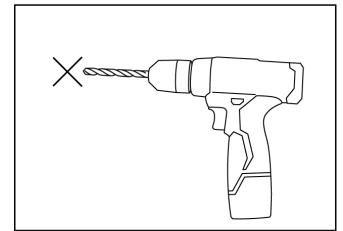
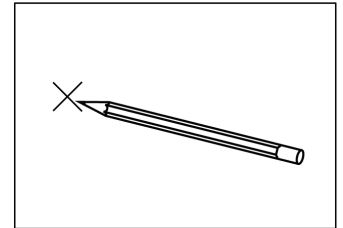
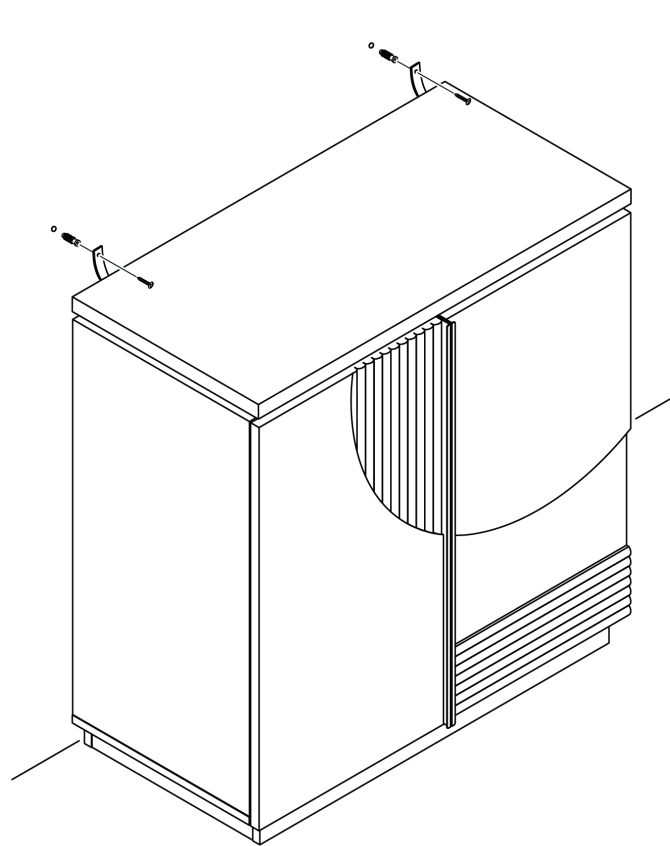
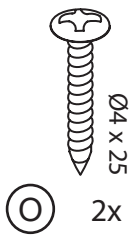
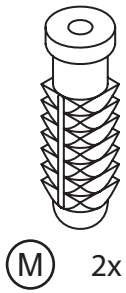
23

Attach anti-tipping straps to the back of the sideboard.



24

Affix the sideboard to a wall.

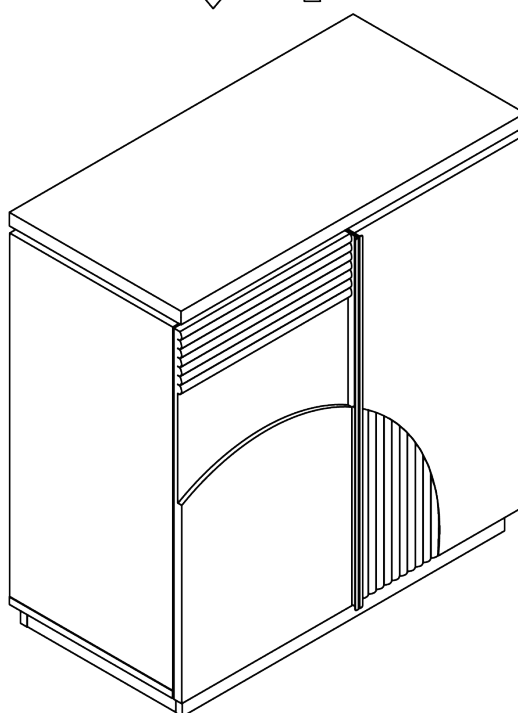
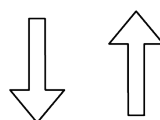
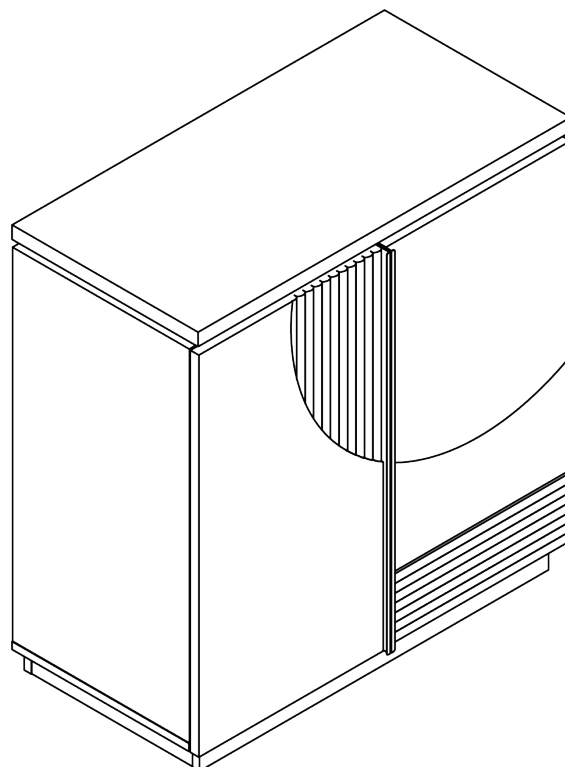


Furniture must permanently fixed to the wall stud with included anti-tipping device to prevent the furniture from tipping over.

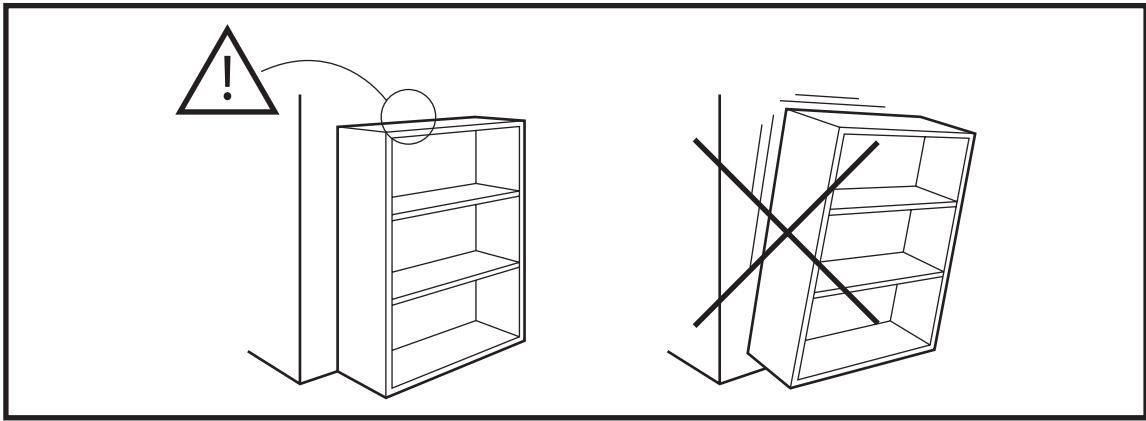
- Mark drill positions on the wall with a pencil.
- Drill a small hole on the marked position.
- Insert wall anchors into the drilled holes.
- Zip tie the rack to the anti-tipping devices.

25

Attention: According to personal preferences, the two doors can be installed interchangeably, as shown in the picture.



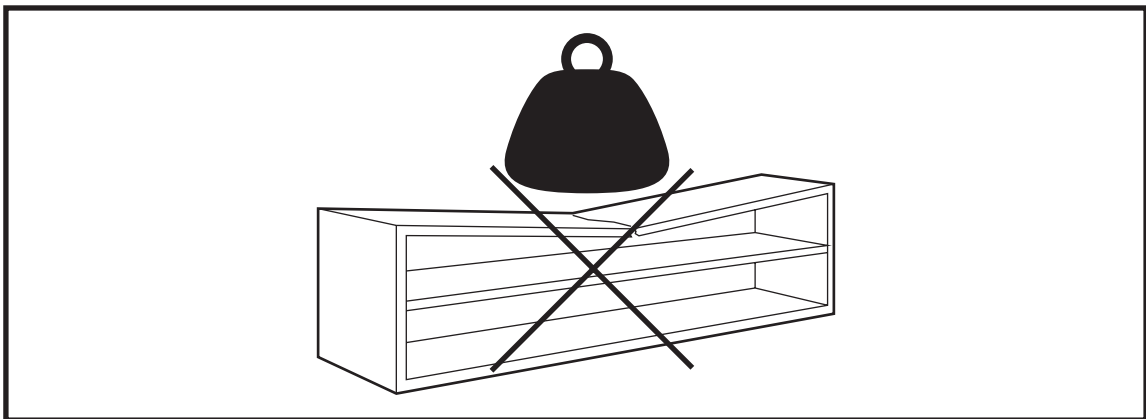
YOU'RE FINISHED!



Warning

Serious or fatal crushing injuries may occur if the furniture tip-over. Furniture must permanently affixed to the wall with included anti-tipping device in order to prevent the furniture from tipping over.

Different wall materials requires different types of wall anchors or screws. Use a suitable wall anchors or screws for your specific wall in order to secure the stability and load bearing capacity of the furniture. If you are uncertain about which type of device to use, please contact us or your local hardware store.



Warning

Only place items on top of the product if they meet the recommended size and weight limits.

Climbing on, stepping on, or placing overweighted objects on the product may cause property damage and/or injuries.

Items placed onto this product must be resting on a support surface without hanging over the edges.

FURNITURE CARE AND MAINTENANCE

Medium - Density Fiberboard

Thank you for your purchase. We want your item to last as long as possible. To ensure the product gives you years of longevity, please follow the recommendations in this care and maintenance guide.



MAINTENANCE

- Tighten all bolts and screws again within the first 2 weeks of assembly.
- Check the tightness of all bolts every 2 months and tighten them if necessary.



CLEANING

- Clean the surface of the MDF (medium - density fiberboard) with a lightly dampened cloth.
- A small amount of mild soap can be used if necessary.
- Dry the surface immediately after cleaning.

- ⚠ DO NOT use bleach or alcohol to clean the surface.
- ⚠ DO NOT apply wood treatment on parts made with MDF.

MDF will swell and distort when exposed to water damage. Make sure to dry the furniture immediately after cleaning.

⚠ WARNING

The manufacturer and seller are not responsible for any and all liability relating to personal injury, property damage or losses, whether direct, indirect, or incidental, resulting from the incorrect attachment, improper use, inadequate maintenance, unapproved modification or neglect of this product.

WARRANTY

BELLEZE products come with a 1-year warranty from the date of delivery.
Register your product on our website to enjoy our limited lifetime warranty!

AFTER-SALE SERVICE



Encounter any difficulties or missing parts?



We will send you replacement.



Hassle free!
No need to worry about repackaging and sending your item back.