

ASSEMBLY & INSTRUCTION

- **Twin** [CLICK HERE](#)

Size: 75"L×39"W

- **Full** [CLICK HERE](#)

Size: 75"L×54"W

- **Queen** [CLICK HERE](#)

Size: 80"L×60"W

- **King** [CLICK HERE](#)

Size: 80"L×76"W



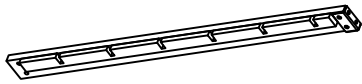
Bamboo Bed Frame Set-up Instruction



Size: Twin

If you have any questions about the product, please don't hesitate to contact us.
You can reach us through your order. Thanks for your support!

Components-Parts



①×2PCS



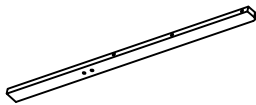
②×2PCS



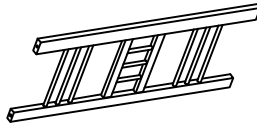
③×2PCS



A×10PCS
M8*28



④×2PCS



⑤×1PCS



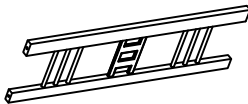
B×8PCS
M8*32



⑧×1PCS



C×8PCS
M8*57



⑨×1PCS



⑩×12PCS



⑪×2PCS



E×4PCS

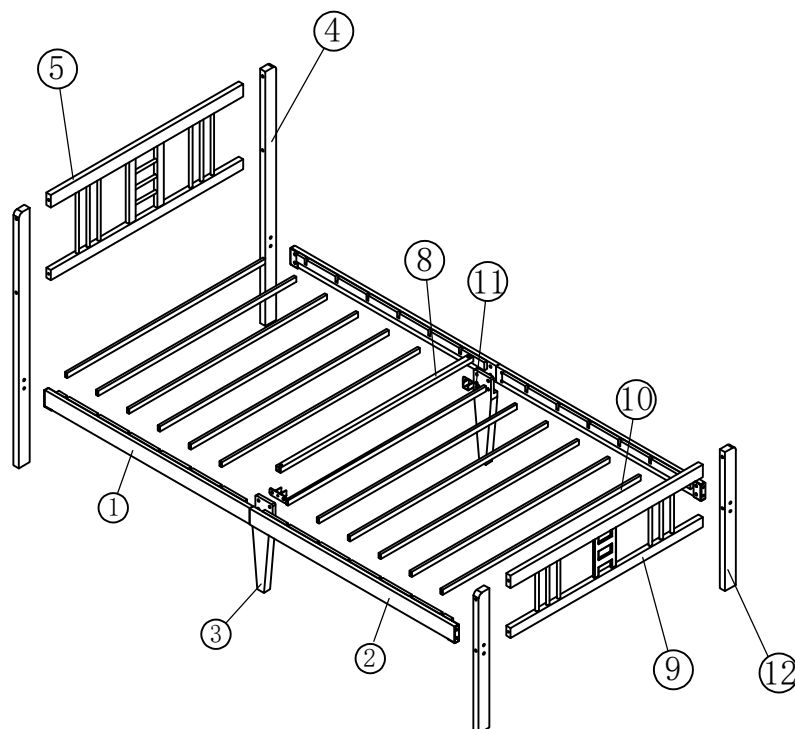


⑫×2PCS





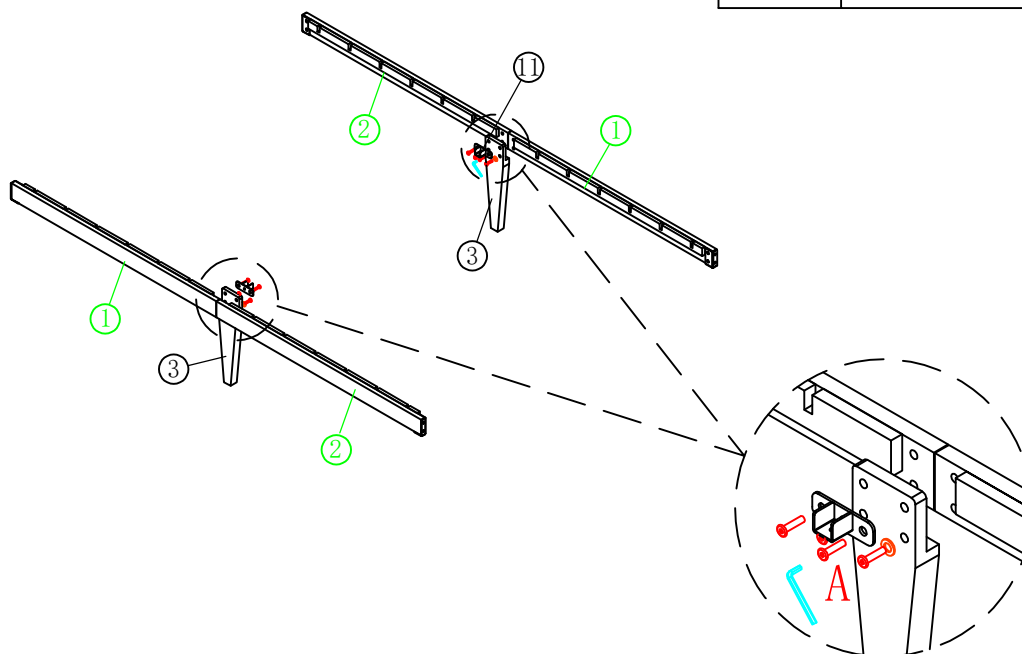
Spare: A×1、C×1、E×1

Component Distribution - Easy Assembly in 5 Steps




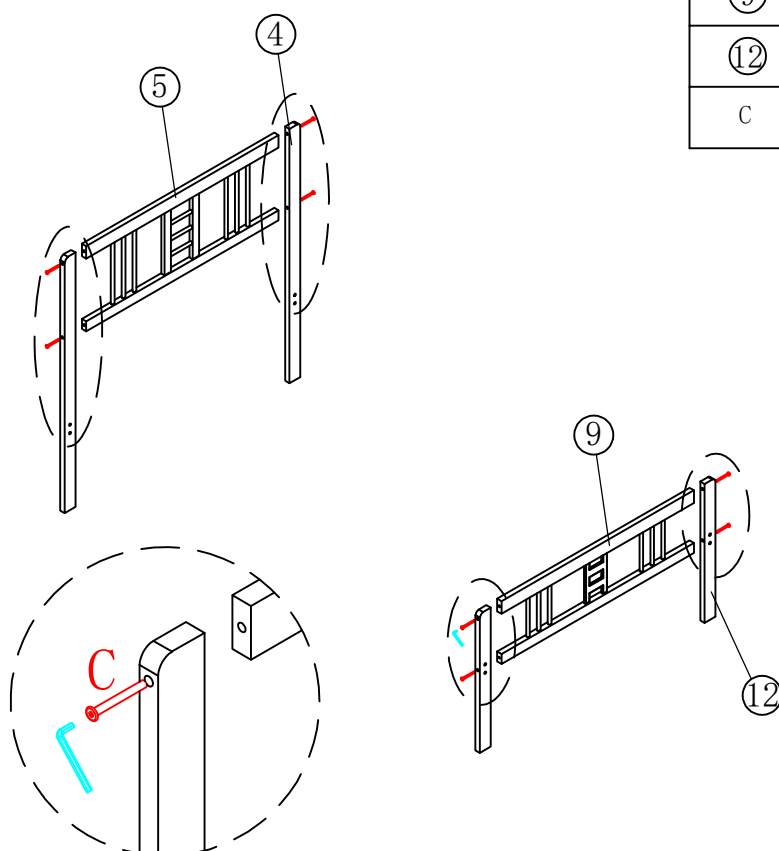
Step1:Take out parts ① & ② & ③ & ⑪ ;
 Joint them with screws as shown

①		2PCS
②		2PCS
③		2PCS
⑪		2PCS
A	M8×28 	8PCS
E		4PCS



Step2:Joint parts with screws
 as shown

④		2PCS
⑤		1PCS
⑨		1PCS
⑫		2PCS
C	M8×57 	8PCS



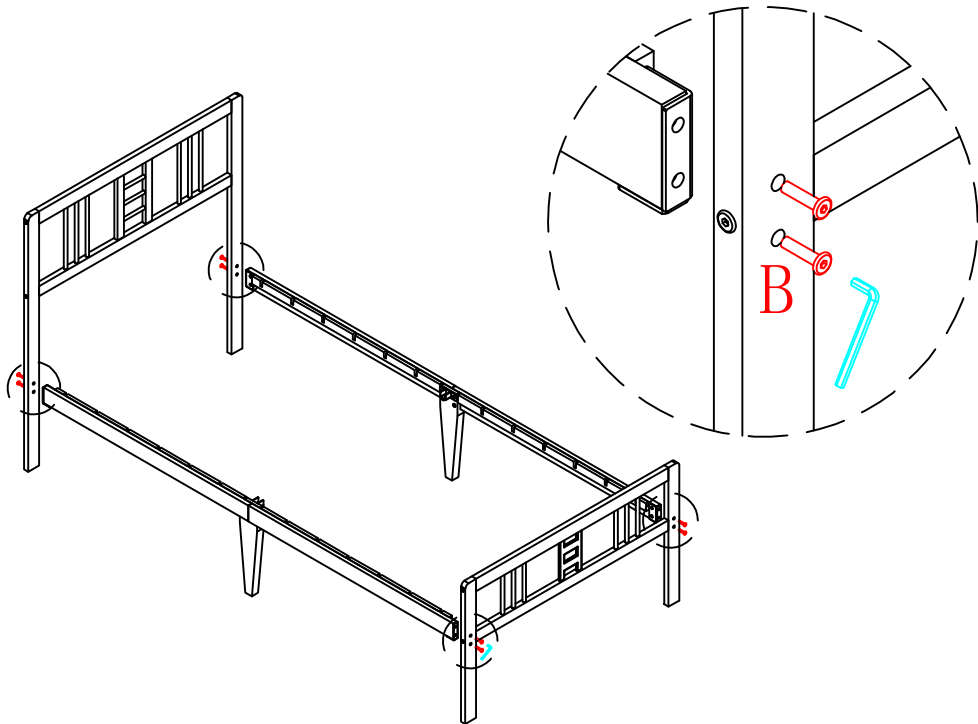
Step3: Joint parts with screws
as shown

B

M8×32



8PCS



Step4: Joint part ⑧ with screws
as shown

⑧

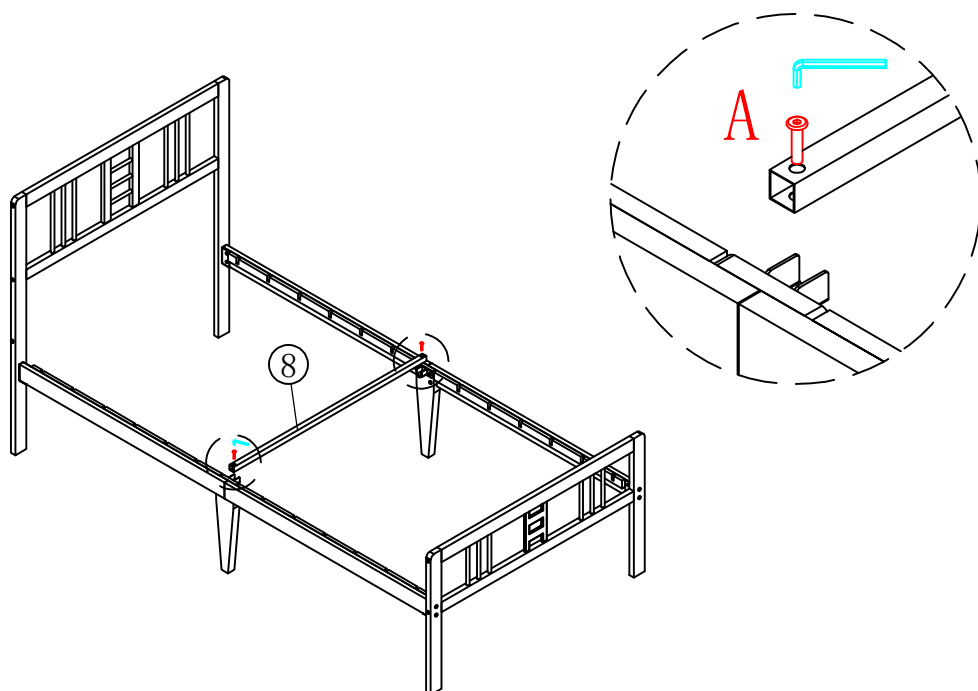
1PCS

A

M8×28



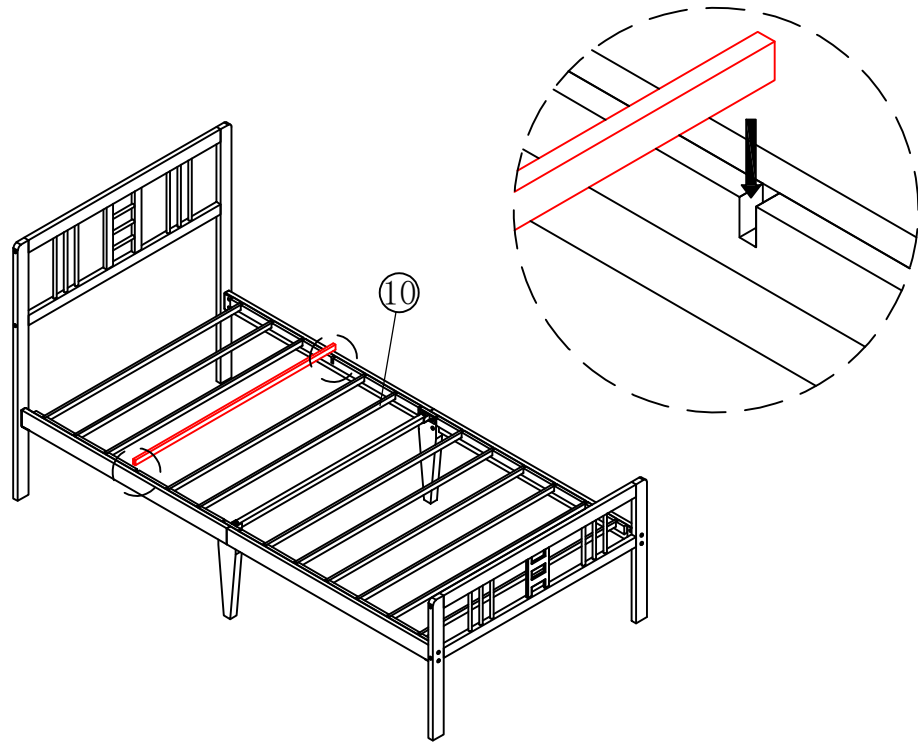
2PCS



Step5: Insert slats

10

12PCS



In the last step, please make sure all the screws are tightened.



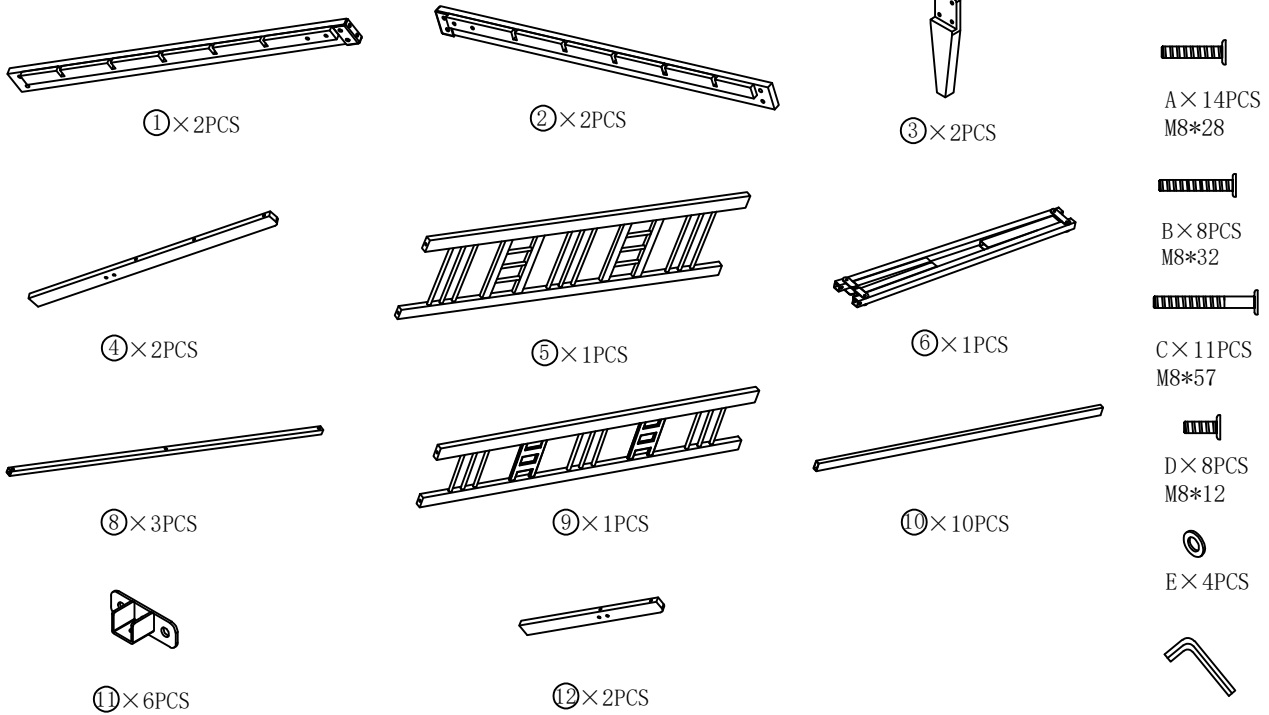
Bamboo Bed Frame Set-up Instruction



Size: Full

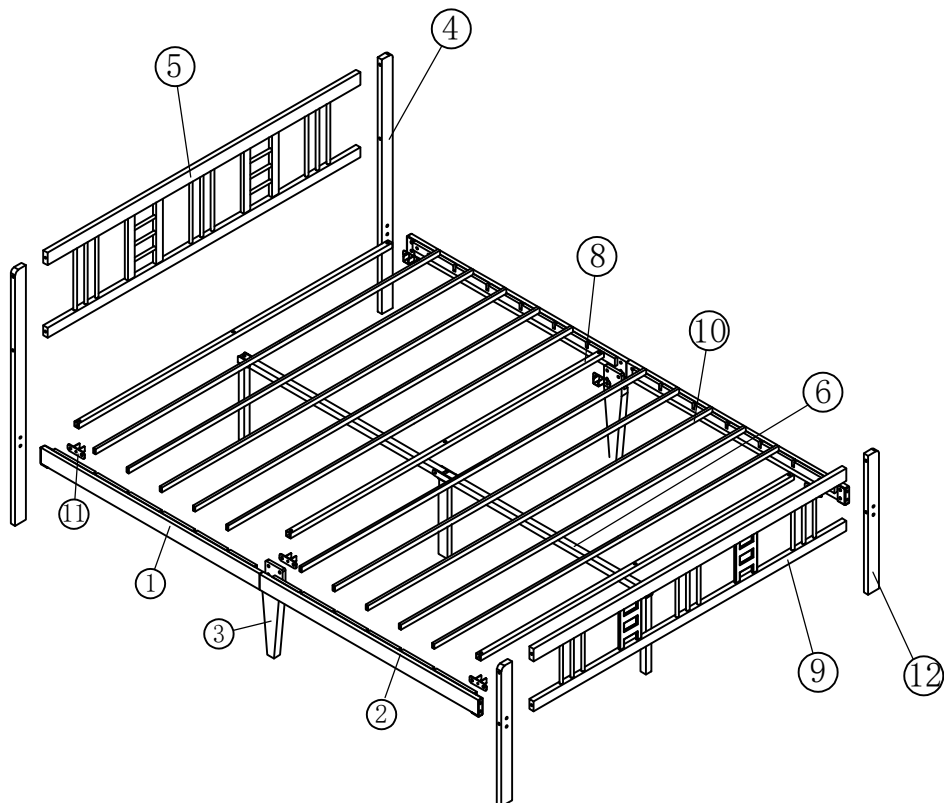
If you have any questions about the product, please don't hesitate to contact us.
You can reach us through your order. Thanks for your support!

Components-Parts






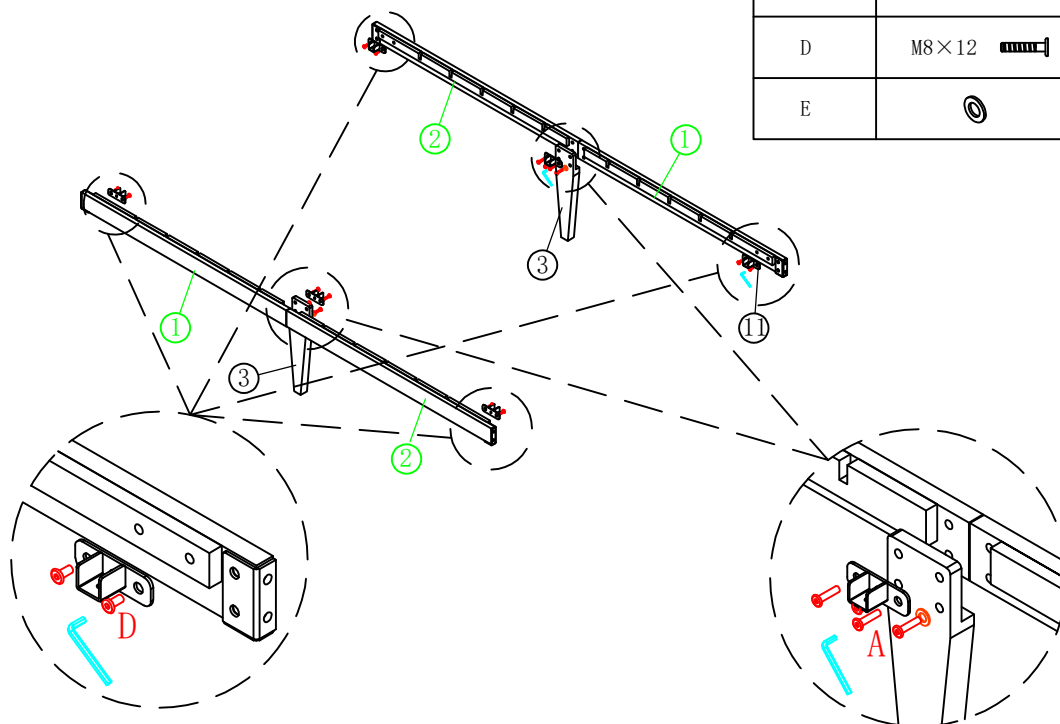
Spare: A×1、B×1、C×1、E×1

Component Distribution - Easy Assembly in 6 Steps




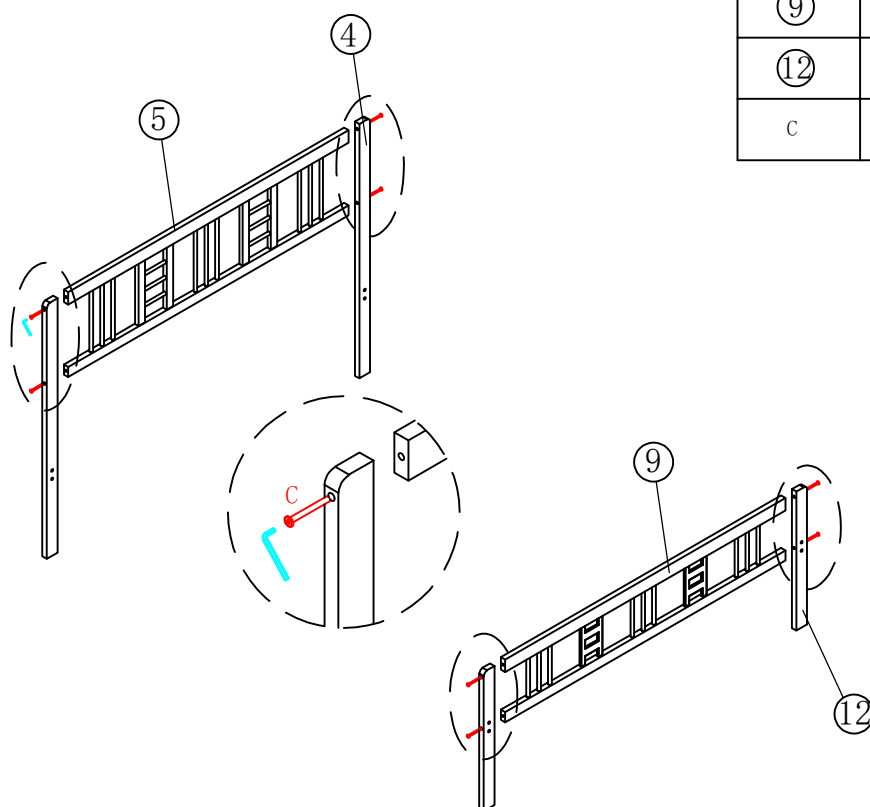
Step1: Take out parts ① & ② & ③ & ⑪;
 Joint them with screws as shown

①		2PCS
②		2PCS
③		2PCS
⑪		6PCS
A	M8 × 28 	8PCS
D	M8 × 12 	8PCS
E		4PCS




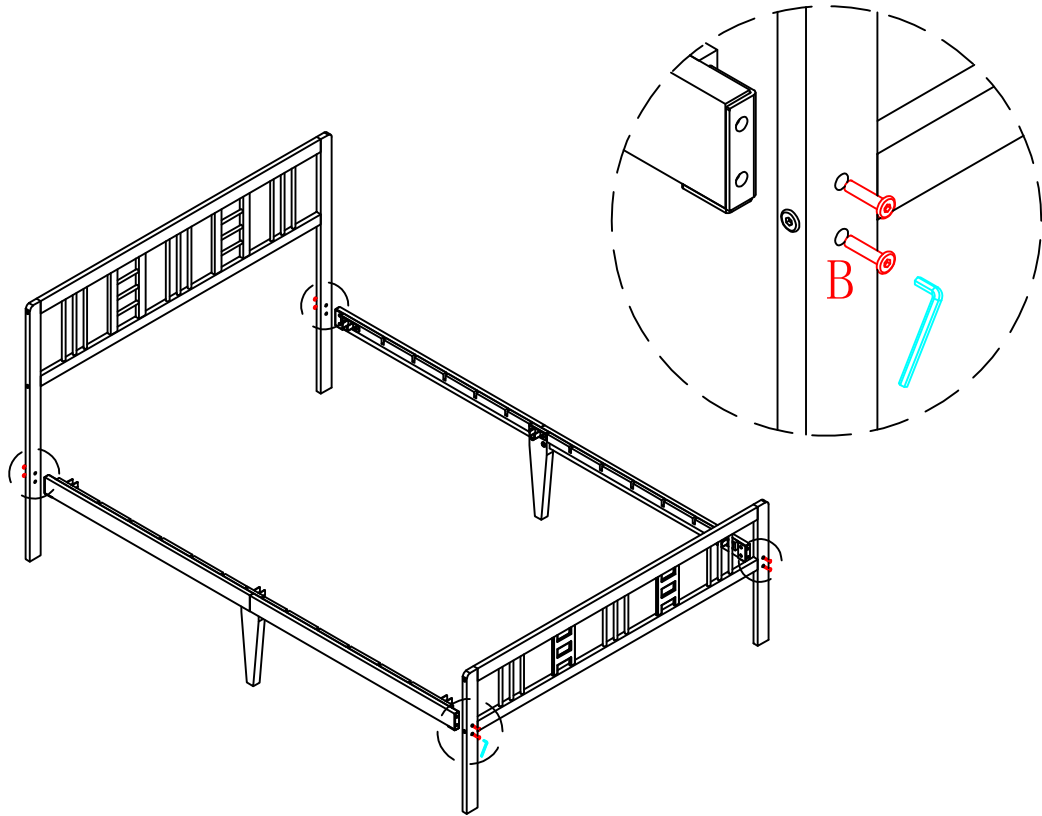
Step2: Joint parts with screws
 as shown

④		2PCS
⑤		1PCS
⑨		1PCS
⑫		2PCS
C	M8 × 57 	8PCS

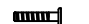


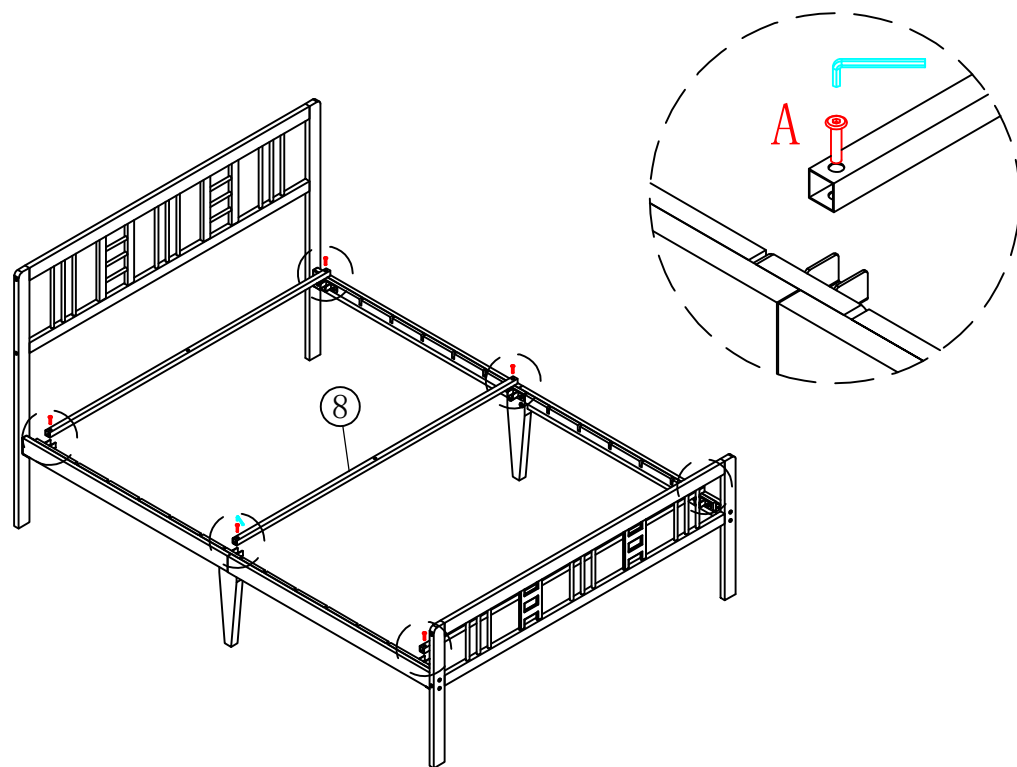
Step3: Joint parts with screws
as shown

B	M8×32		8PCS
---	-------	--	------




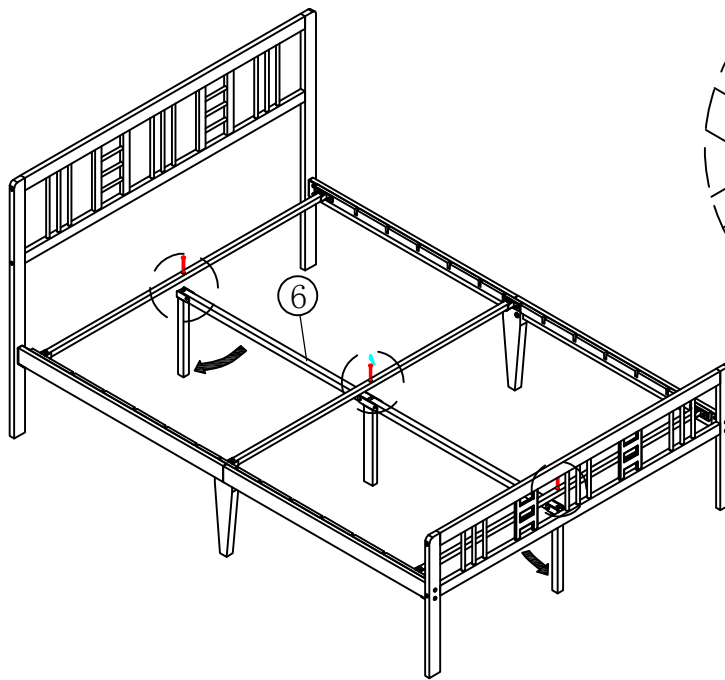
Step4: Joint part ⑧ with screws
as shown

⑧			3PCS
A	M8×28		6PCS



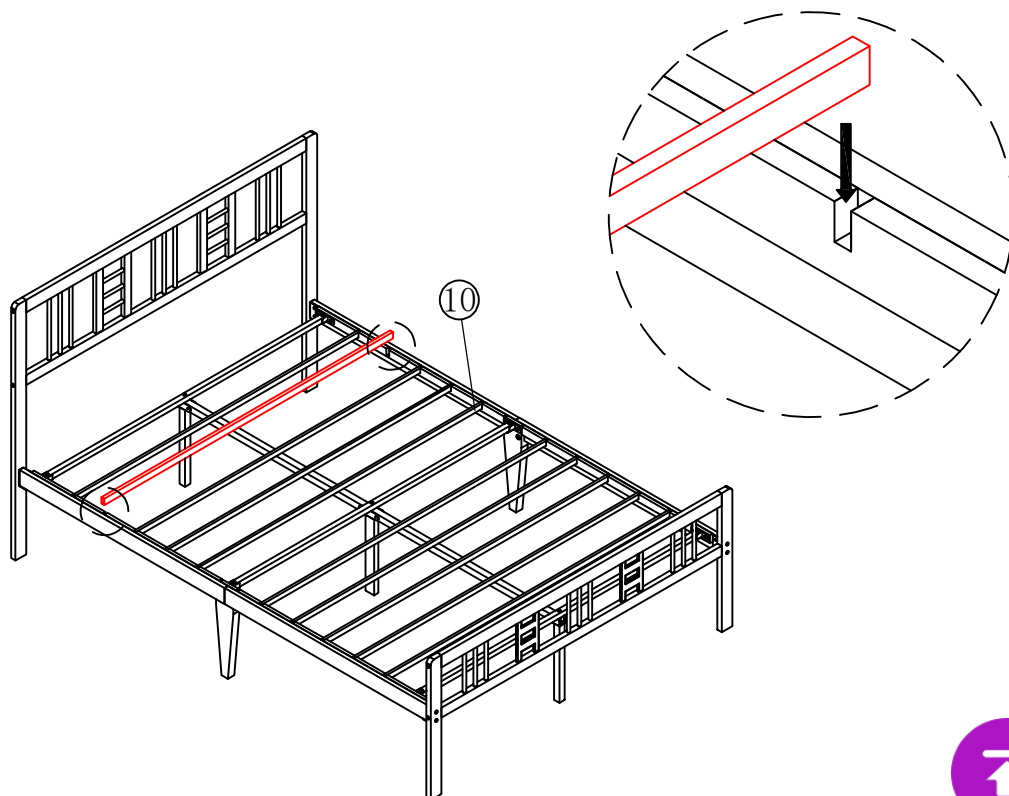
Step5: Joint part⑥ and with screws as shown

⑥		1PCS
C	M8×57 	3PCS



Step6: Insert slats

⑩		10PCS
---	--	-------



In the last step, please make sure all the screws are tightened.

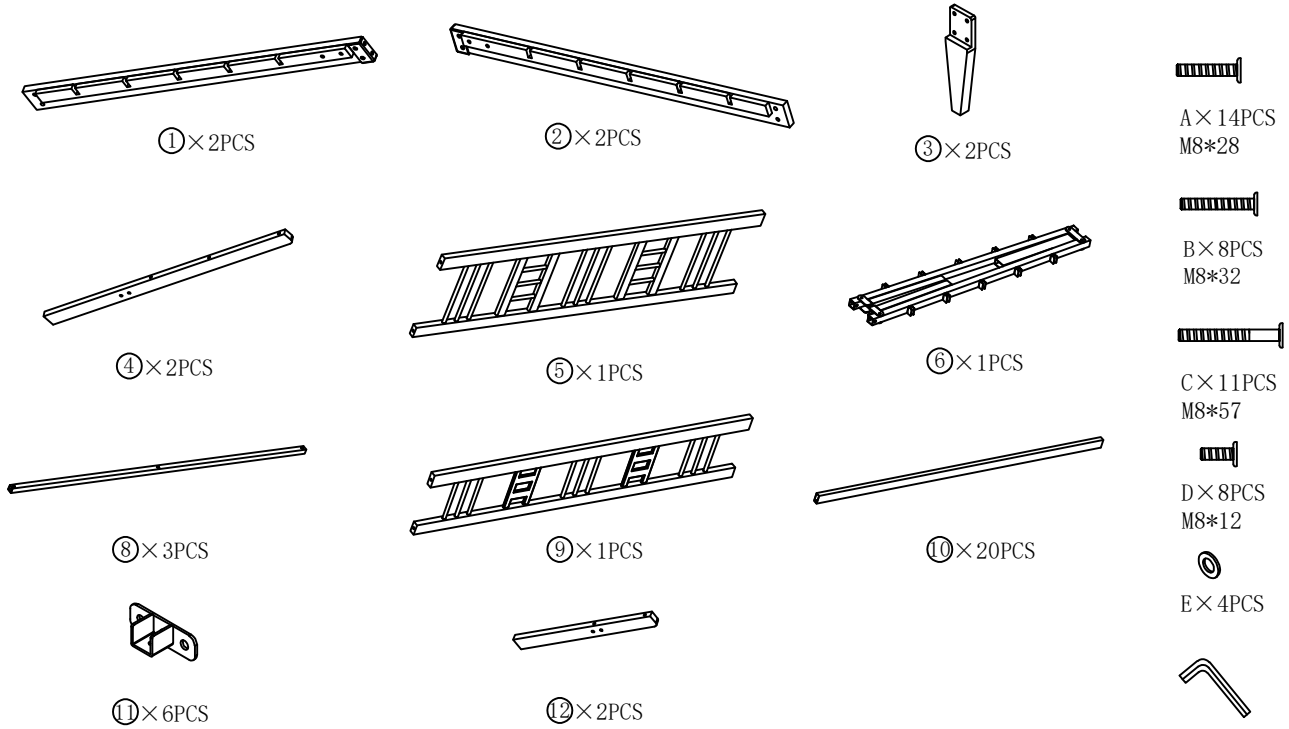
Bamboo Bed Frame Set-up Instruction



Size: Queen

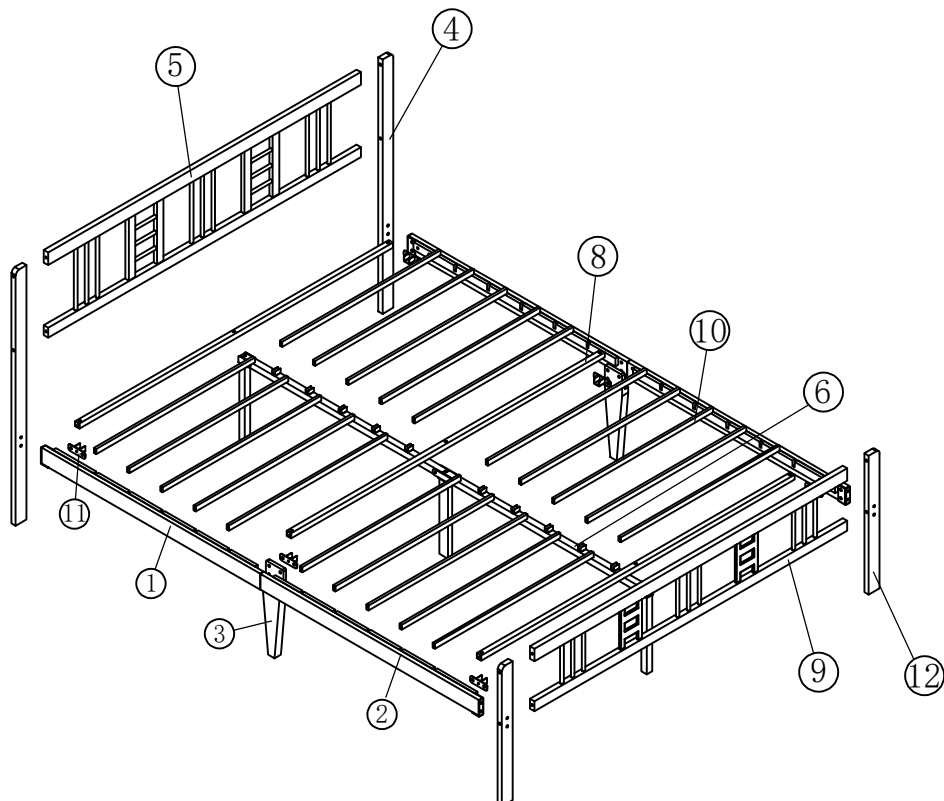
If you have any questions about the product, please don't hesitate to contact us.
You can reach us through your order. Thanks for your support!

Components-Parts






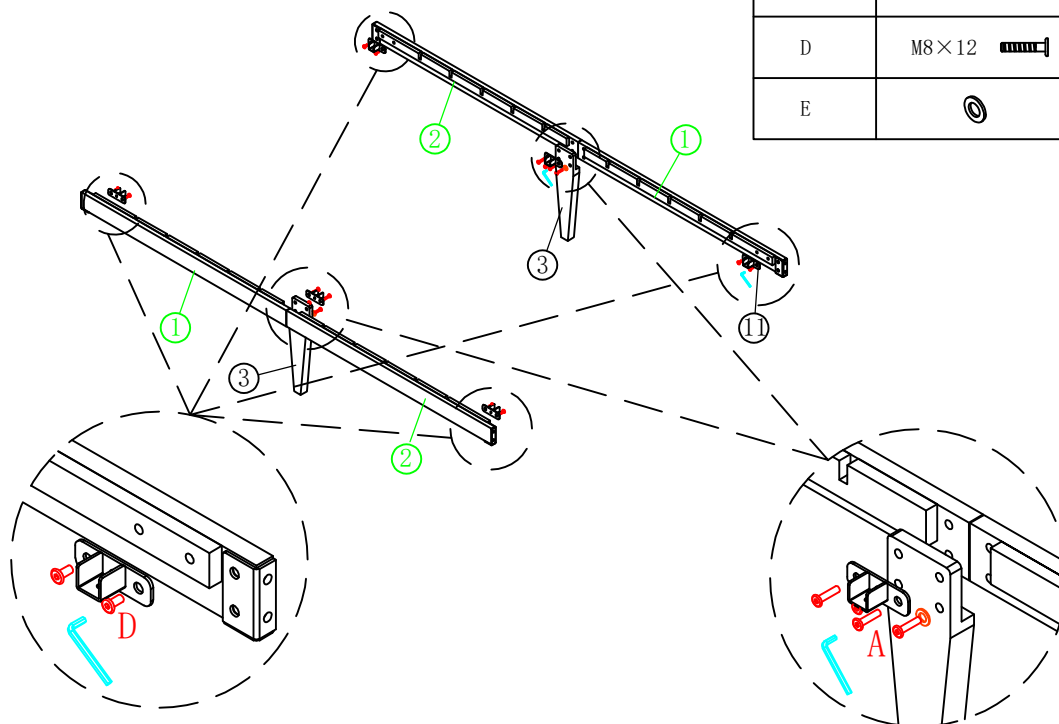
Spare: A×1、B×1、C×1、E×1

Component Distribution - Easy Assembly in 6 Steps




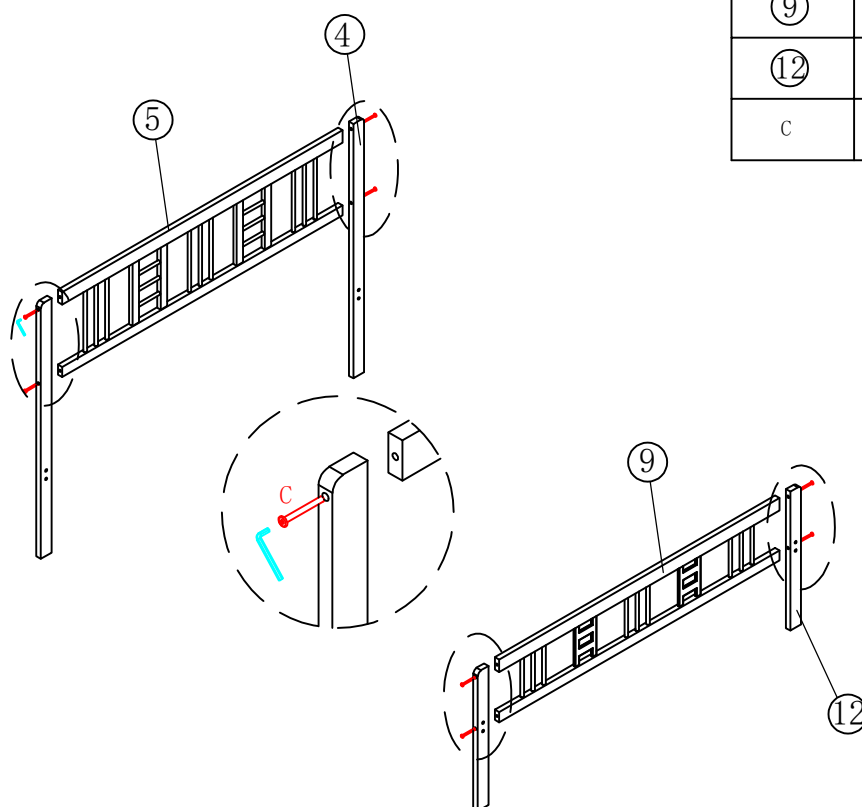
Step1: Take out parts ① & ② & ③ & ⑪;
 Joint them with screws as shown

①		2PCS
②		2PCS
③		2PCS
⑪		6PCS
A	M8×28 	8PCS
D	M8×12 	8PCS
E		4PCS




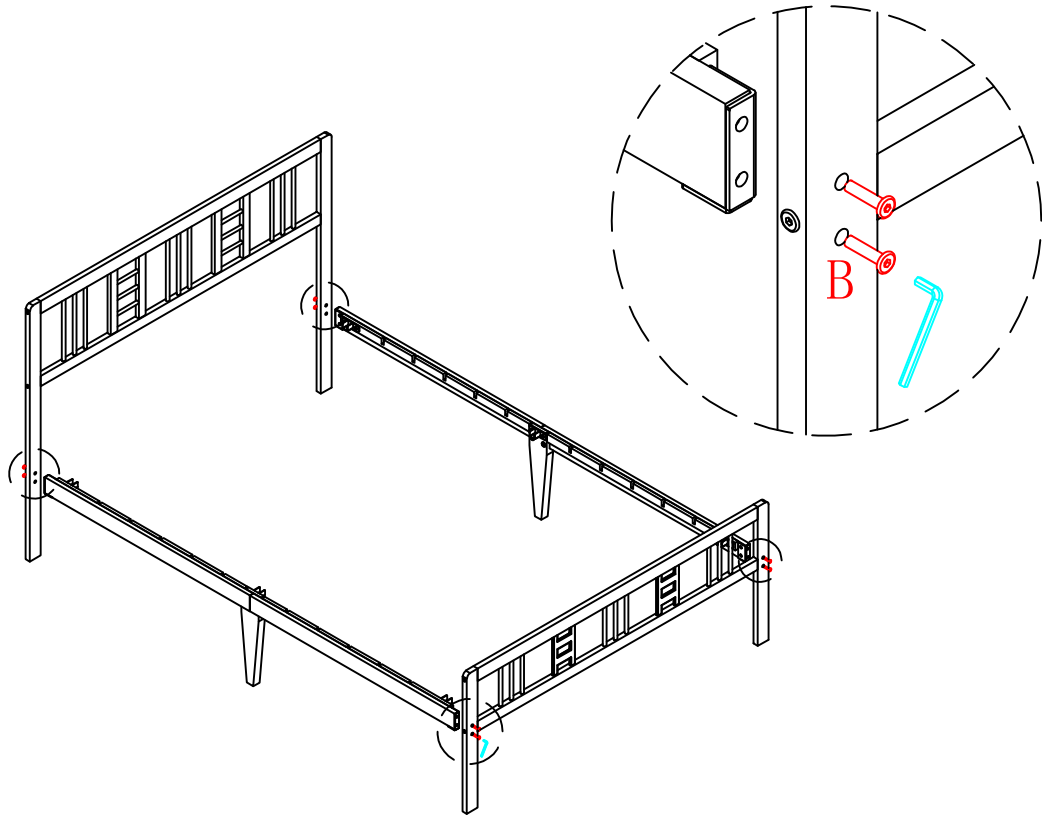
Step2: Joint parts with screws
 as shown

④		2PCS
⑤		1PCS
⑨		1PCS
⑫		2PCS
C	M8×57 	8PCS

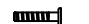


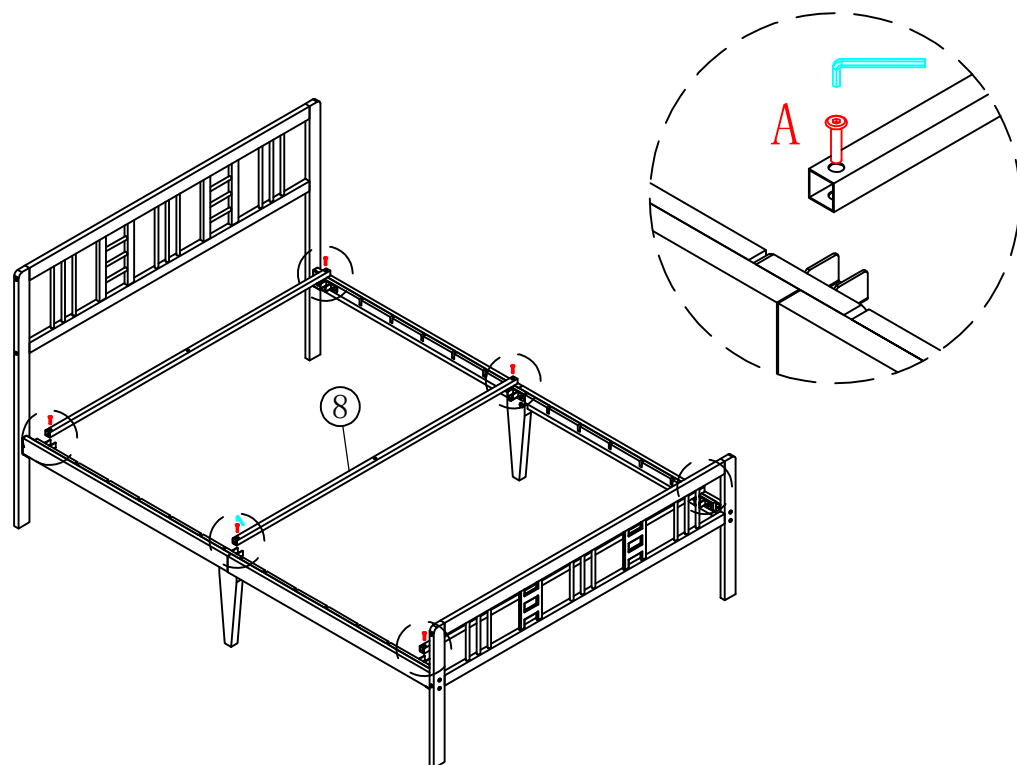
Step3: Joint parts with screws
as shown

B	M8×32		8PCS
---	-------	--	------




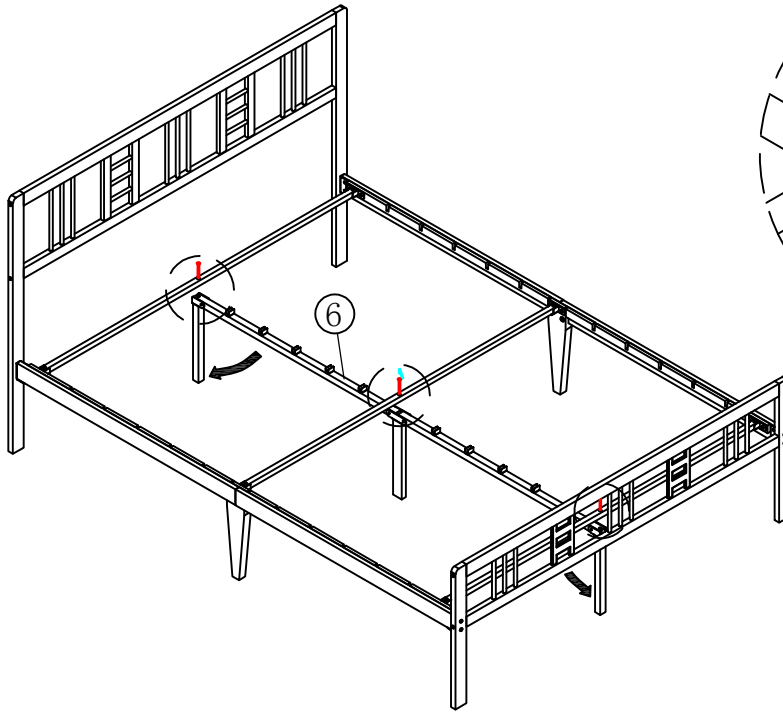
Step4: Joint part ⑧ with screws
as shown

⑧			3PCS
A	M8×28		6PCS



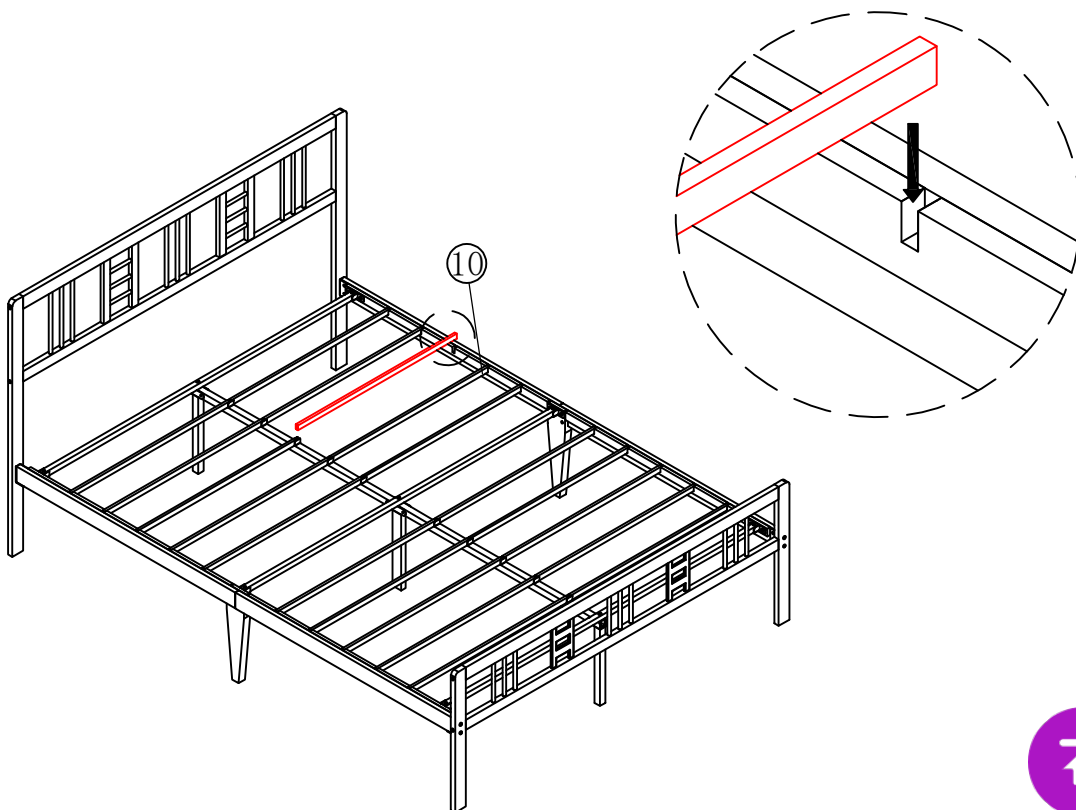
Step5: Joint part⑥ and with screws as shown

⑥		1PCS
C	M8×57 	3PCS



Step6: Insert slats

⑩		20PCS
---	--	-------



In the last step, please make sure all the screws are tightened.

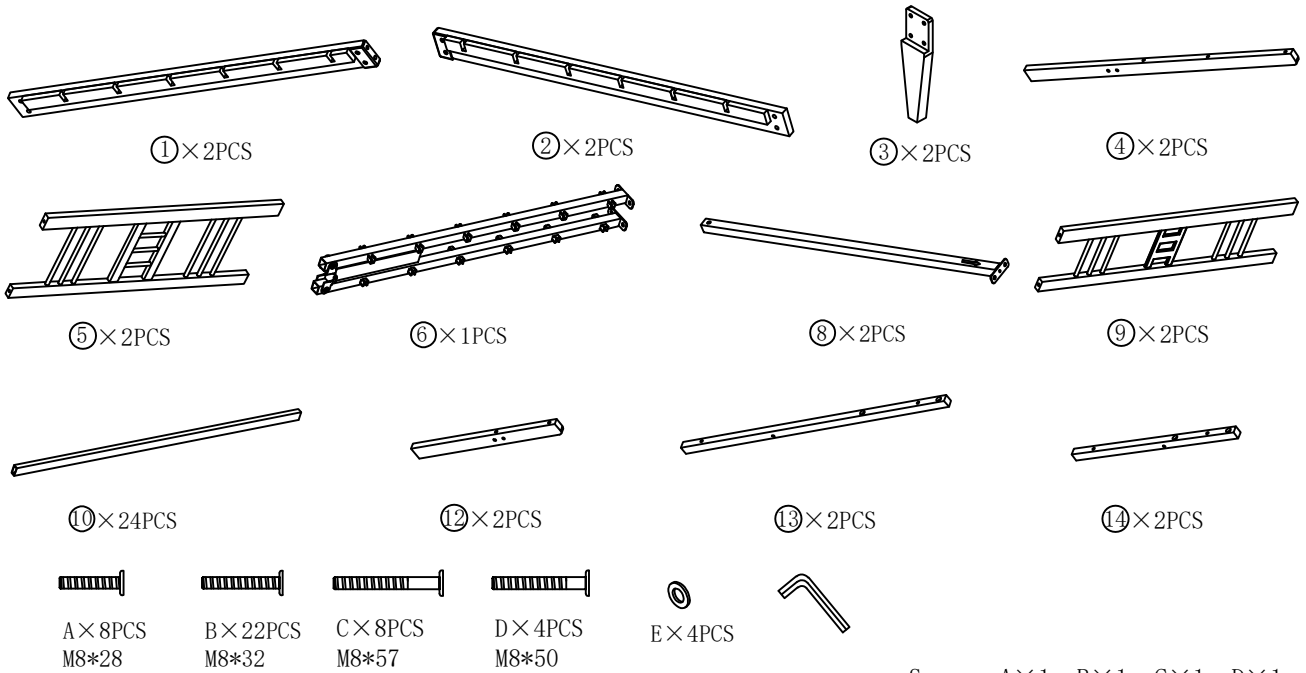
Bamboo Bed Frame Set-up Instruction



Size: King

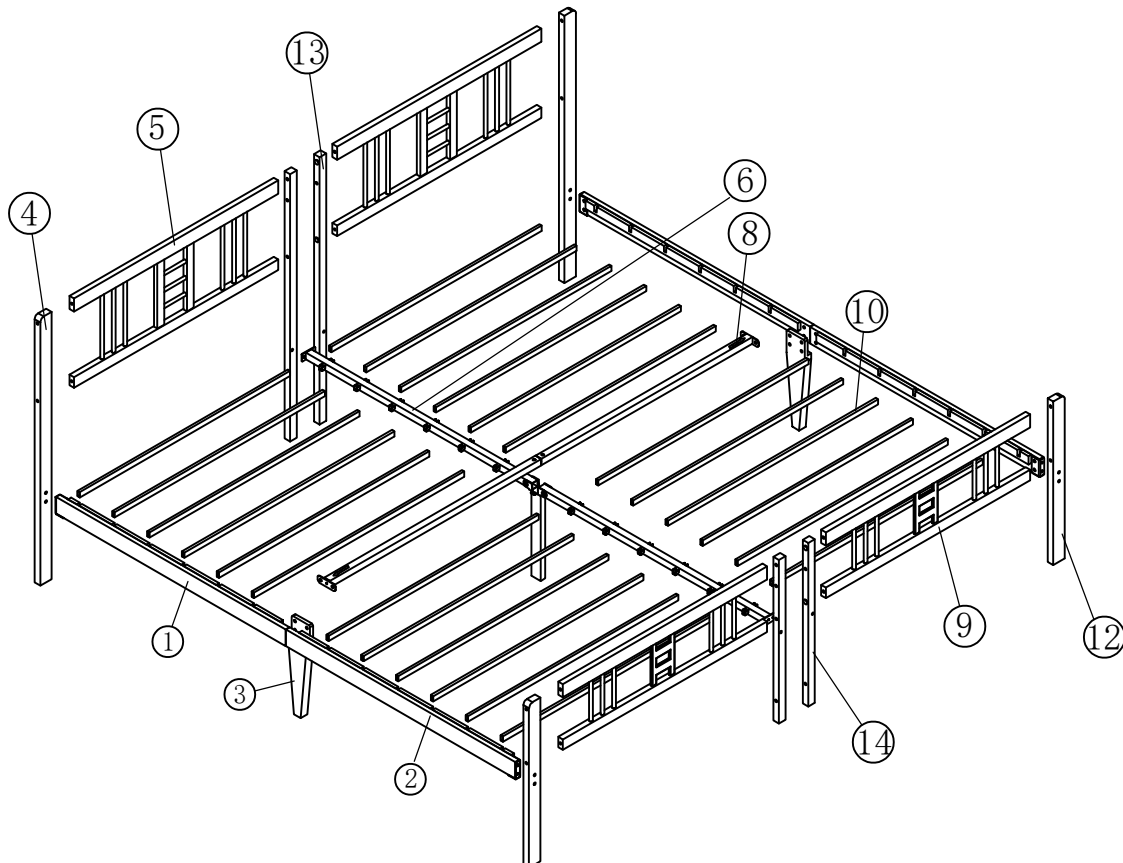
If you have any questions about the product, please don't hesitate to contact us.
You can reach us through your order. Thanks for your support!

Components-Parts





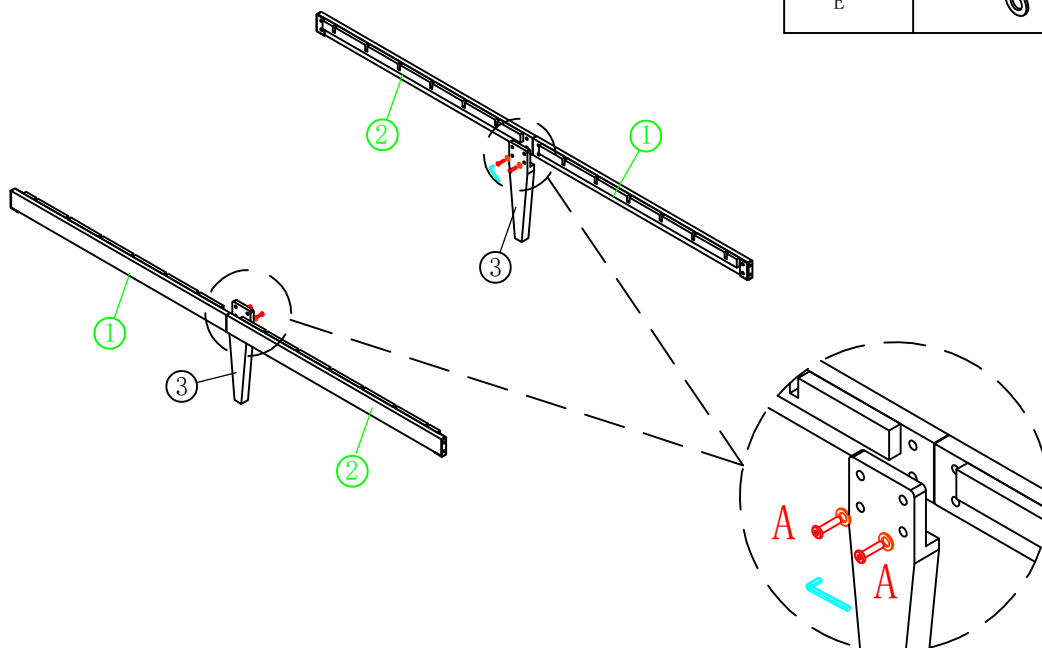
Spare: A×1, B×1, C×1, D×1

Component Distribution - Easy Assembly in 6 Steps





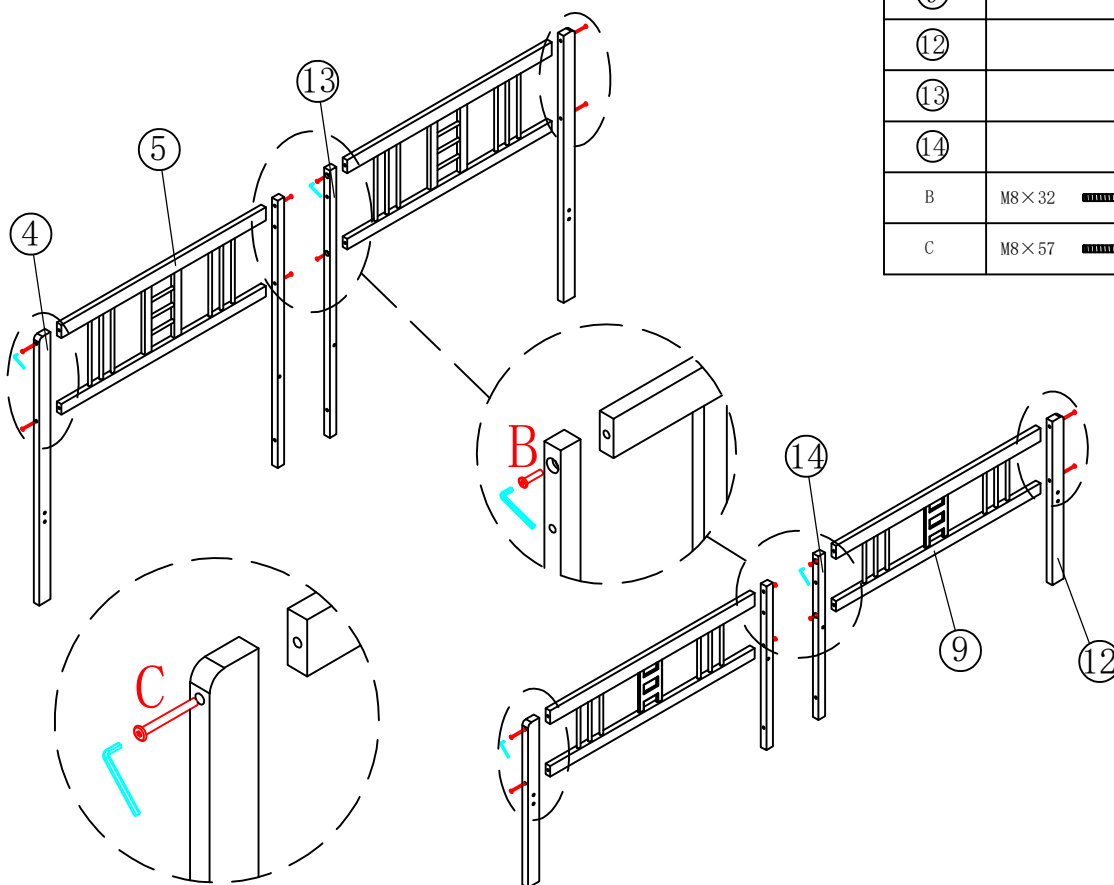
Step1: Take out parts ① & ② & ③;
 Joint them with screws as shown

①		2PCS
②		2PCS
③		2PCS
A	M8 × 28 	4PCS
E		4PCS



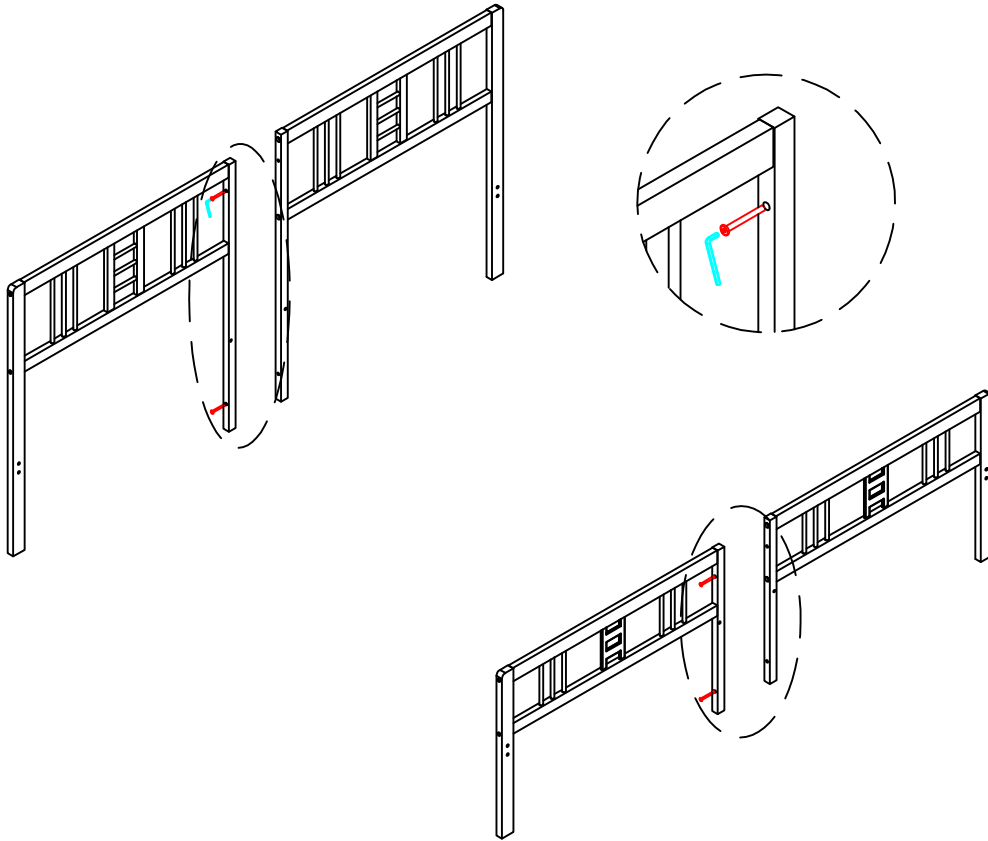
Step2: Joint parts with screws as shown

④		2PCS
⑤		2PCS
⑨		2PCS
⑫		2PCS
⑬		2PCS
⑭		2PCS
B	M8 × 32 	8PCS
C	M8 × 57 	8PCS



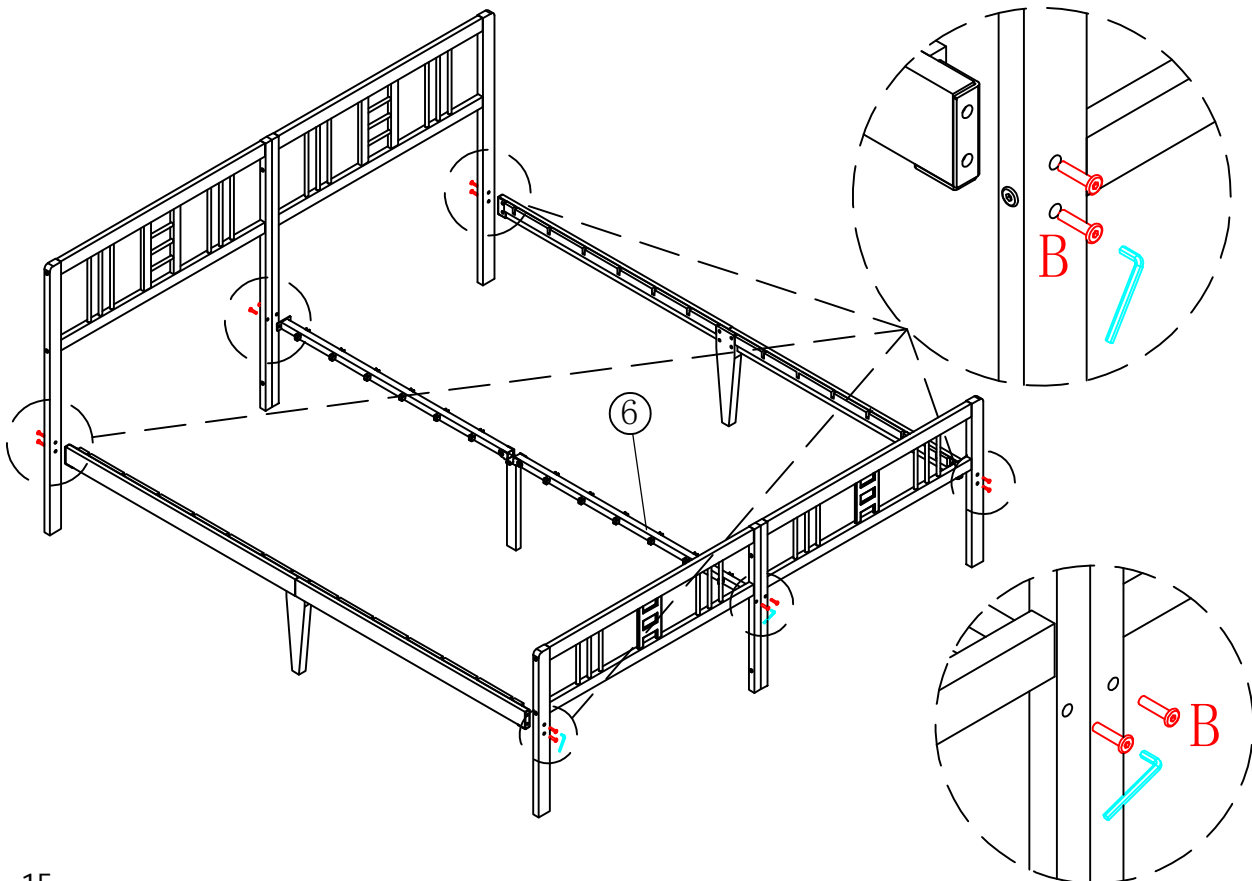
Step4: Joint parts with screws as shown

D	M8×50		4PCS
---	-------	--	------





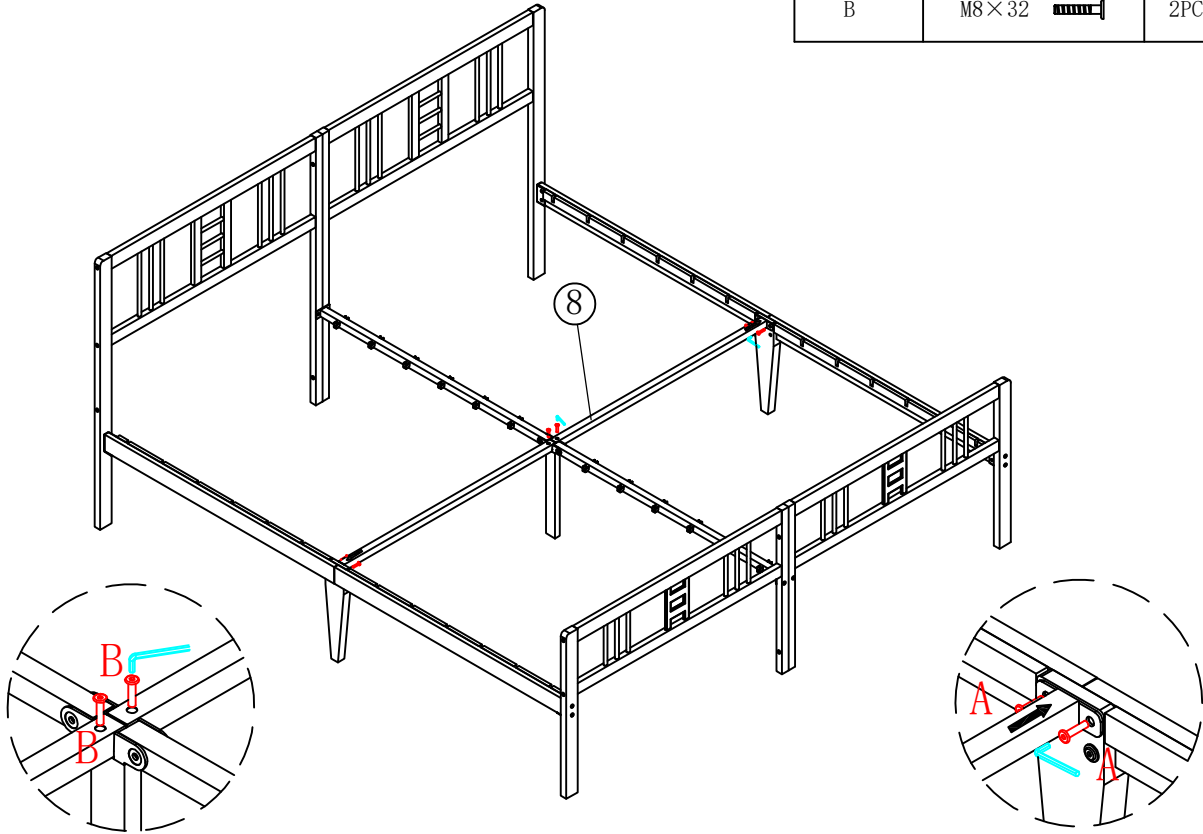
Step5: Joint parts ⑥ with screws as shown

⑥			1PCS
B	M8×32		12PCS



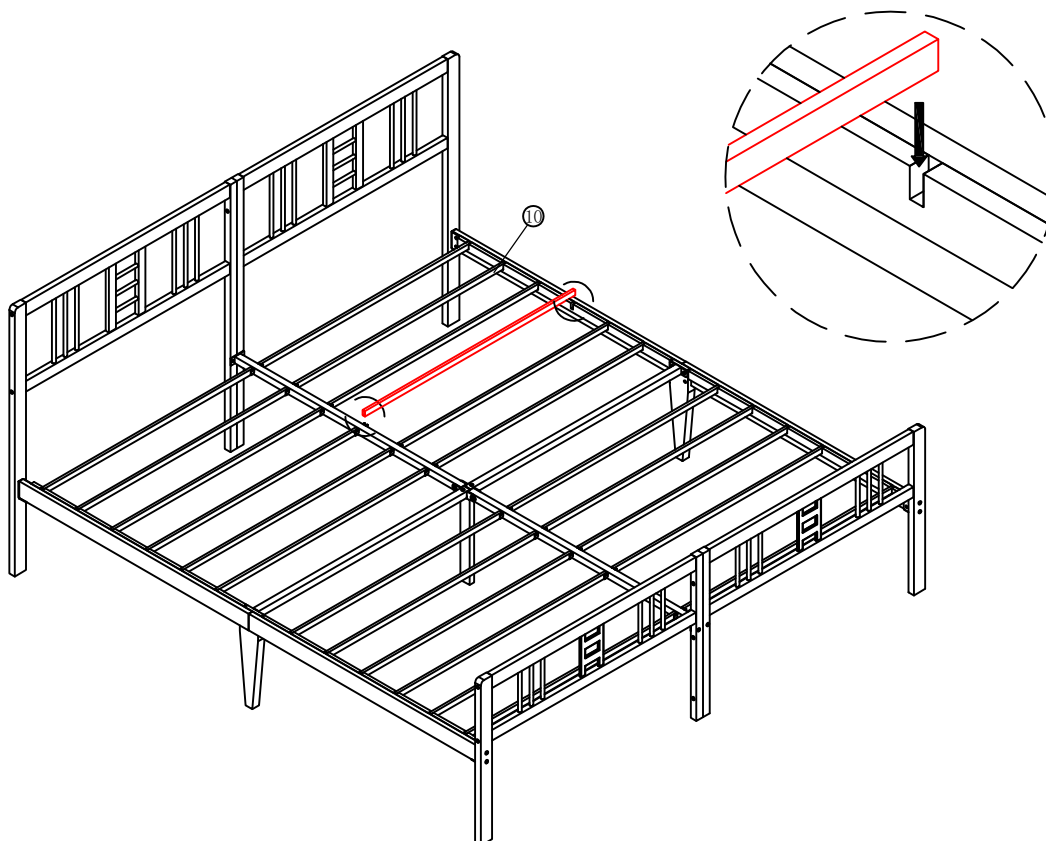
Step6: Joint parts ⑧ with screws as shown;
and make the sign face up

⑧		2PCS
A	M8×28 	4PCS
B	M8×32 	2PCS



Step7: Insert slats

⑩		24PCS
---	--	-------



In the last step, please make sure all the screws are tightened.