

Assembly Instruction

ASSEMBLY TIPS:

1. Remove hardware from box and sort by size
2. Please check to see that all hardware and parts are present prior start of assembly.
3. Please follow attached instruction in the same sequence as numbered to assure fast & easy assembly.

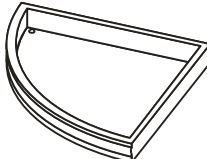
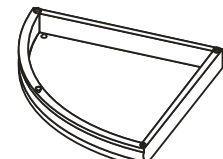
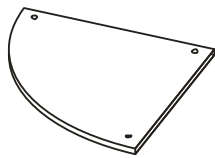
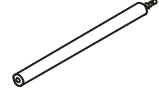
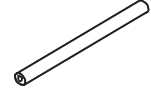


Warning!




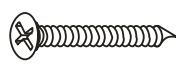

1. Don't attempt to repair or modify parts that are broken or defective. Please contact the store immediately.
2. This product is for home use only and not intended for establishment commercial

ASSEMBLY TIME PER UNIT :	15 MINUTES
---------------------------------	-------------------

PARTS IDENTIFICATION

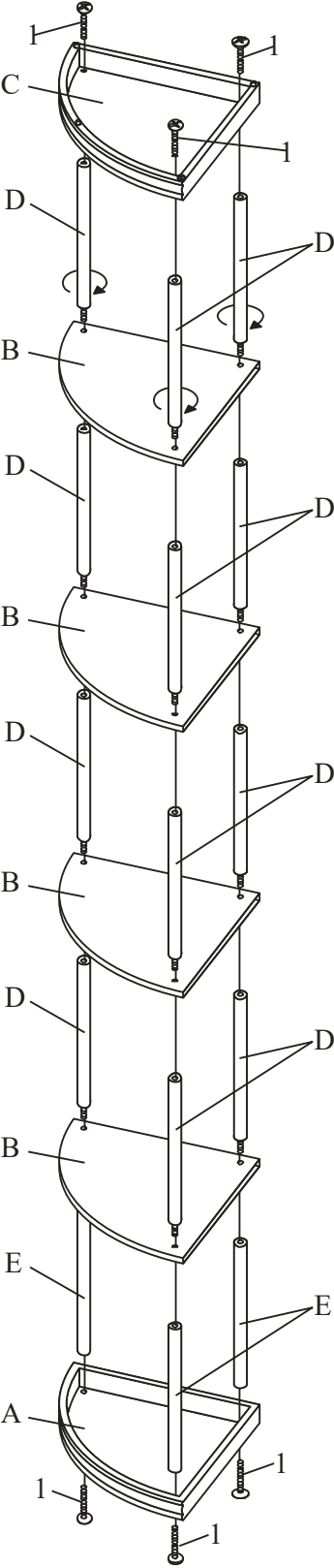
(A) TOP		1 PC	(C) BASE		1 PC
(B) SHELF		4 PCS	(D) POST-SHORT		12 PCS
			(E) POST-LONG		3 PC

HARDWARE PACKAGE

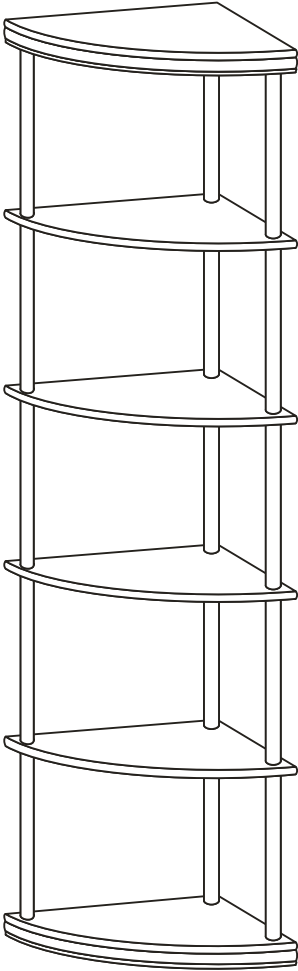
NO	DESCRIPTION	FIGURE	Q' TY
1	BOLT		6 PCS
2	L BRACKET		2 PC
3	SHORT SCREW		1 PC
4	LONG SCREW		1 PC
5	ZIP TIE		1 PC

ASSEMBLY INSTRUCTION

STEP 1



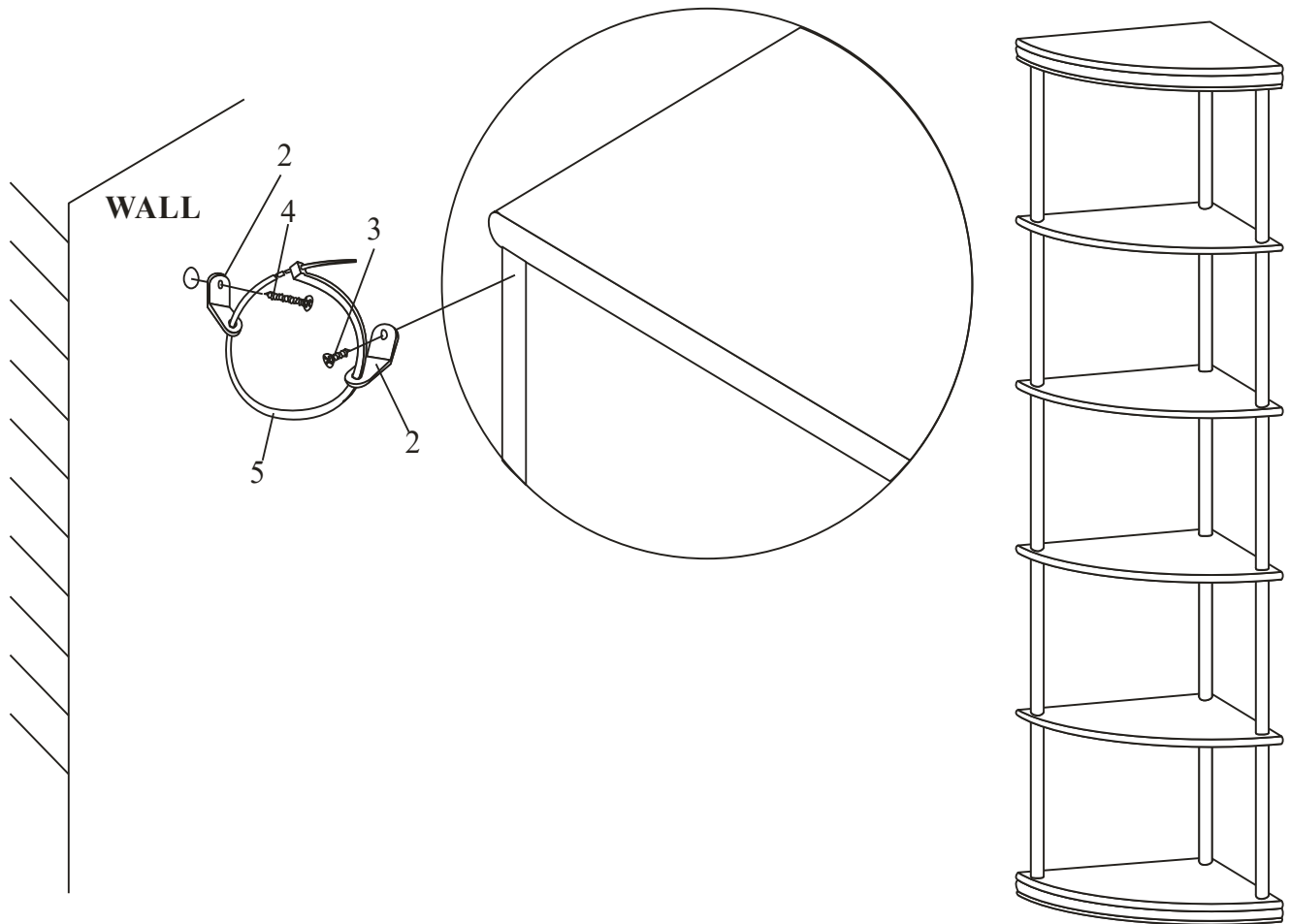
FINISH



ASSEMBLY INSTRUCTION

ATTENTION: ANTI TIPPING SAFEGUARD

Please install the anti-tipping hardware as shown in the drawing. This can help to prevent any tipping issues.



WARNING

Injury may result from tipping furniture

This restraint is not a substitute for proper adult supervision.
This restraint may provide protection against tipping furniture.

Do not allow children to climb on furniture.

Failure to detach this restraint before moving furniture may
result in injury and damage