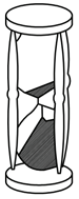
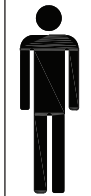


ASSEMBLY INSTRUCTIONS



30 min



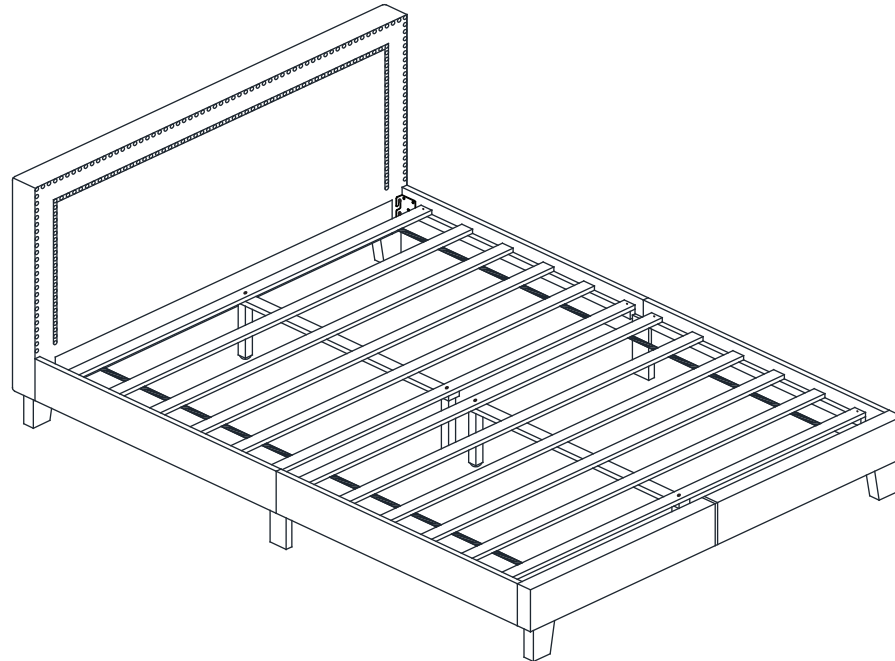
x 2



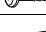
Tool Required

USEFUL HINTS BEFORE YOU START:

1. Read each step carefully before starting.
2. It is important that each step is performed in correct order to avoid difficulties.
3. Identify, sort and count the parts before assembly.
4. Assemble the product on packaging cardboard to prevent scratch or damage.
5. Using incompatible hardware might cause damage to the product. **DO NOT FULLY-TIGHTEN** the nut until all nuts are ready assembled.



ASSEMBLY INSTRUCTION

NO	PART LIST		QTY
1		HEADBOARD CUSHION	1PC
2		FOOTBOARD CUSHION	1PC
3		FOOTBOARD LEGS	4PCS
4		SIDE RAIL(L)	2PCS
5		SIDE RAIL(R)	2PCS
6		SIDE RAIL SUPPORT LEG	2PCS
7		ROLL SLAT	2SET
8		CENTER SUPPORT RAILS	2PCS
9		SUPPORT LEGS WITH ADJUSTABLE FEET	4PCS
NO	HARDWARE LIST		QTY
A		JCBB SCREW M8 X 20	8PCS
B		JCBC SCREW M6 X 25	8PCS
C		JCBC SCREW M6 X 50	4PCS
D		JCBC SCREW M6 X 100	4PCS
E		WOOD DOWEL	4PCS
F		SPRING WASHER	8PCS
G		FLAT WASHER	8PCS
H		SCREW M4 X 32mm	8PCS
I		L - KEY M5 X 65mm	1PC
J		L - KEY M4 X 100mm	1PC

NOTE:

Some parts packed inside the zippered compartment at the back of the headboard.

