

Drawer Storage Tower

Instruction Manual



CAB-9BC



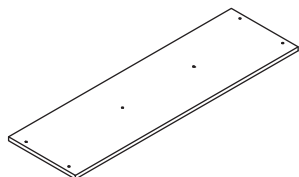
✉ HJ-Customer-Service@outlook.com

☎ (909)637-7665 | (909)637-7593

EST 9:00AM--17:00PM

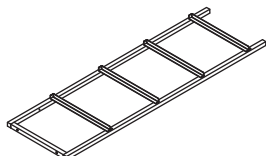
1 Component List

A X1



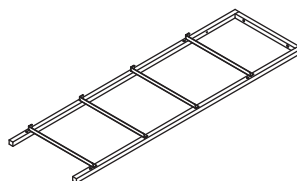
Top Board

B X1



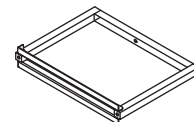
Side Frame

C X1



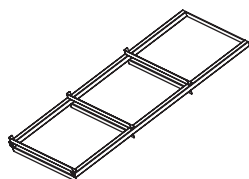
Side Frame

D X2



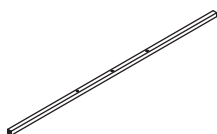
Middle Frame

E X1



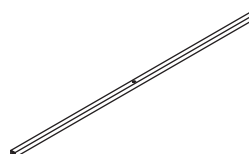
Middle Frame

F X1



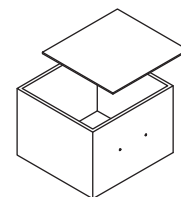
Cross Tube

G X2



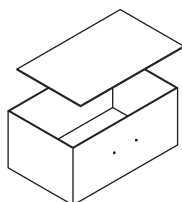
Cross Tube

H X3



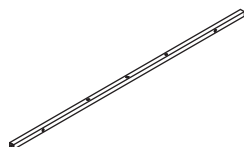
Drawer

I X6



Drawer

J X1



Cross Tube

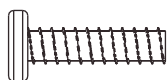
K X2



Reinforcement Bar

2 Supplied Parts and Hardware

1 X22



Bolts

M6x23mm

2 X4



Bolts

M6x12mm

3 X18



Bolts

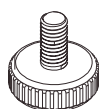
M4x10

4 X9



Drawer Handle

5 X4



Adjusting Foot

6 X2

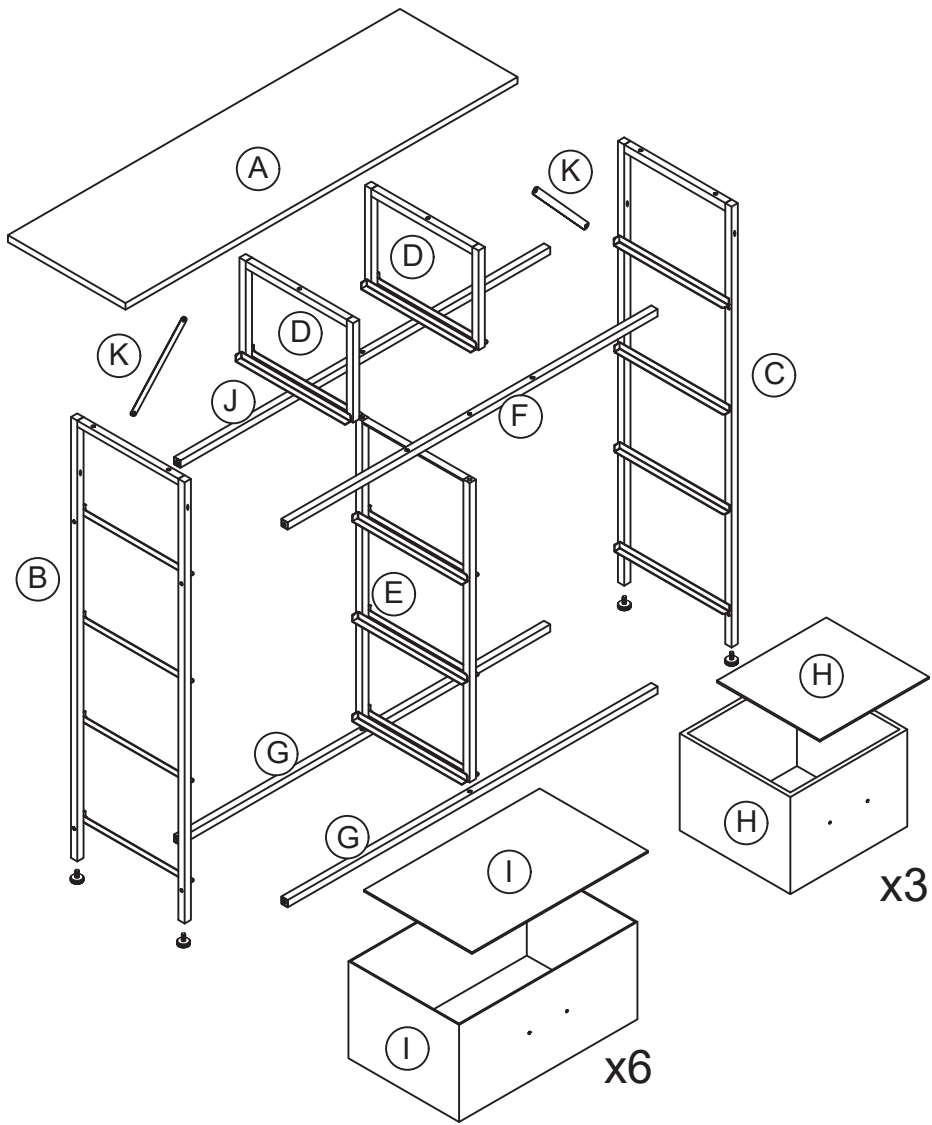


Bolts & Tube
M4x60mm

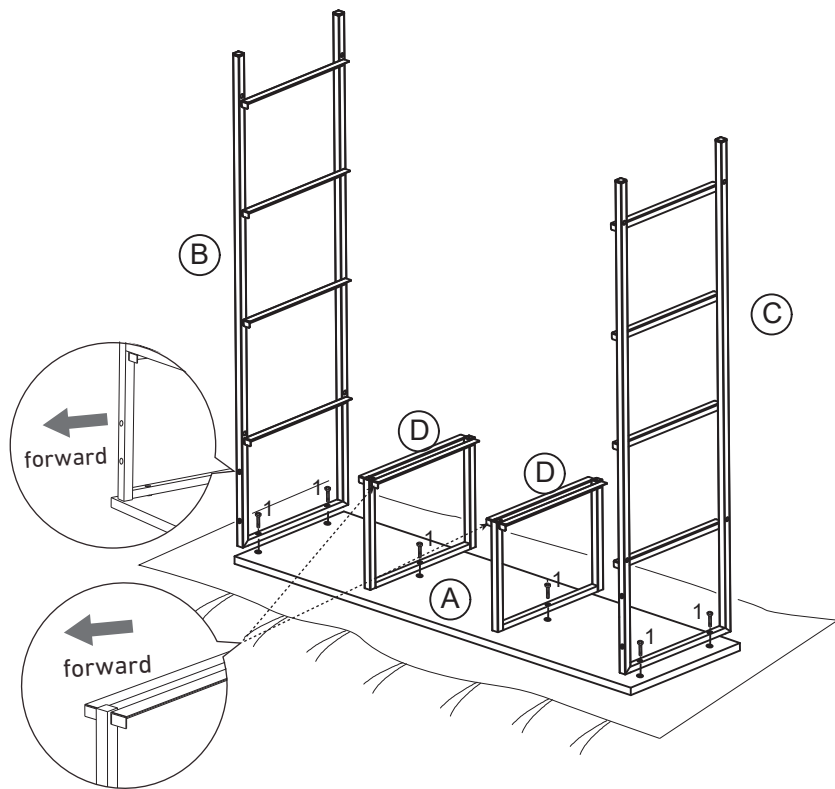
7 X1





Wrench & Screwdriver



Step 1



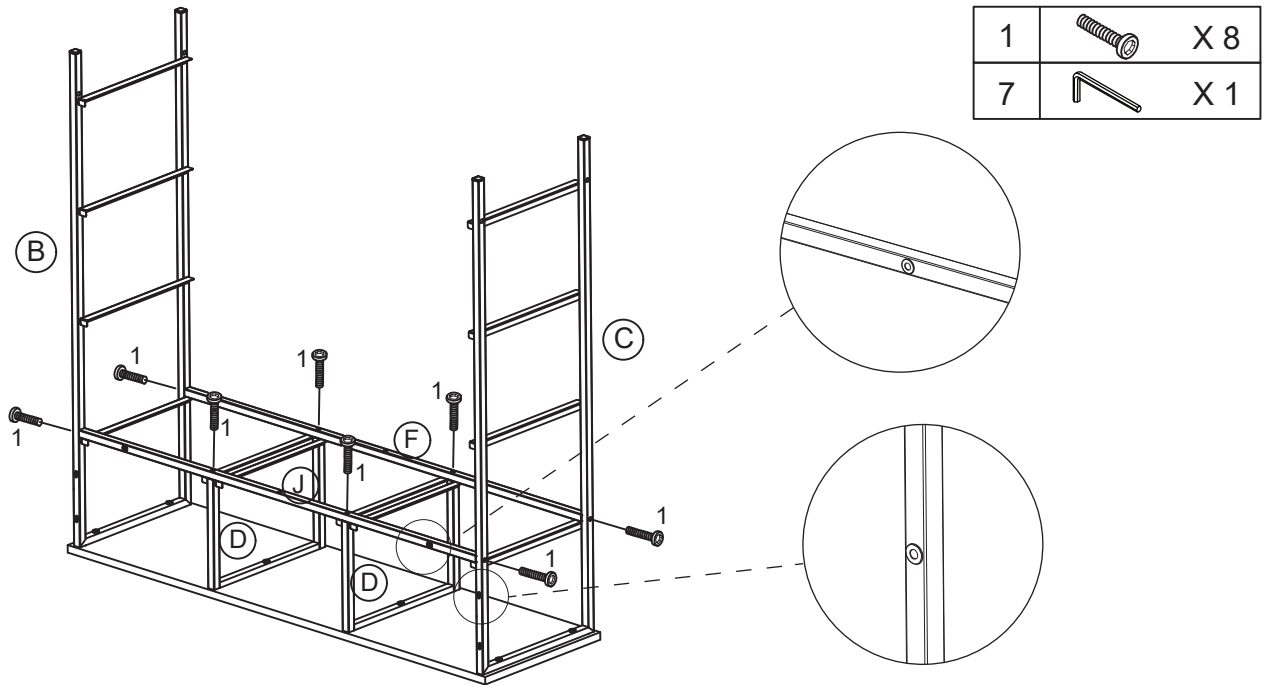
1		X 6
7		X 1

As shown, fix the Side Frames **(B)&(C)** to both ends of Top Board **(A)** and fix the Middle Frames **(D)*2** to the middle of **(A)** with Bolts **(1)*6**.

NOTE:

Put a blanket under the Top Board to avoid scratches or damage.
Side Frames **(B&C&D)** face the same direction.

Step 2

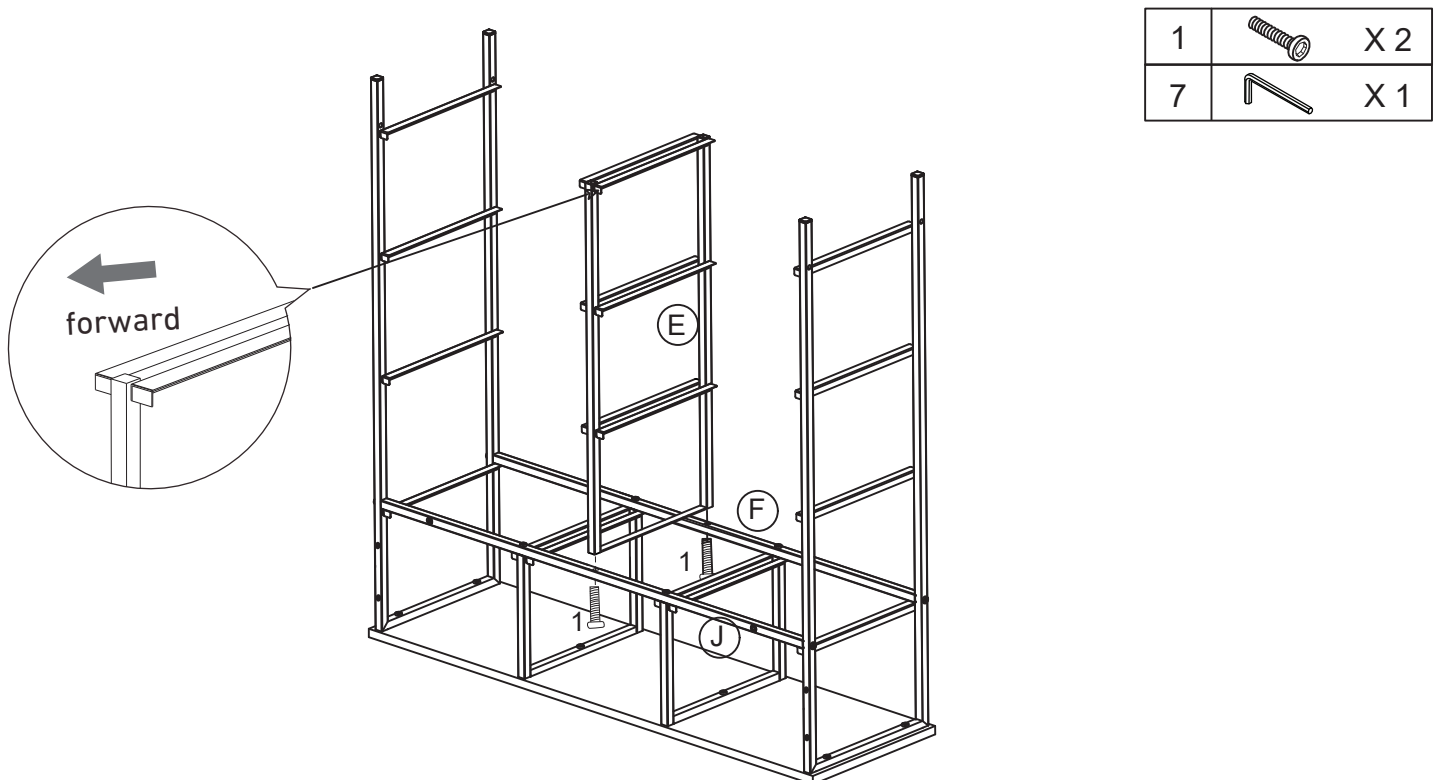


Install Cross Tube (**F&J**) to the Frames (**B&C&D**) with Bolts (**1**)*8.

NOTE:

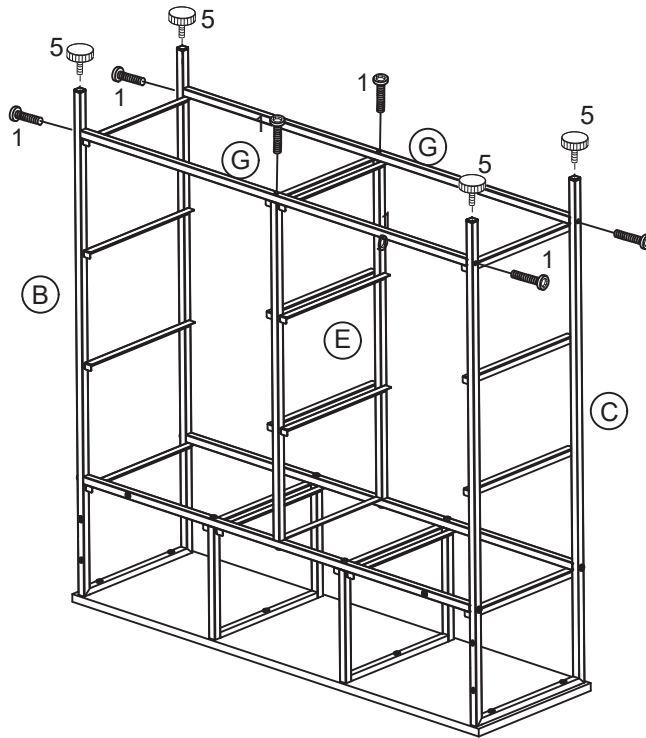
1. When installing the horizontal pipe (**F&J**), pay attention to the position of the horizontal pipe J, and the hole position on the side of the horizontal pipe J should be in the same direction as the side frame (**B&C**).

Step 3



Install the other side of Middle Frame (**E**) to the Cross Tube (**F&J**) with Bolts (**1**)*2.

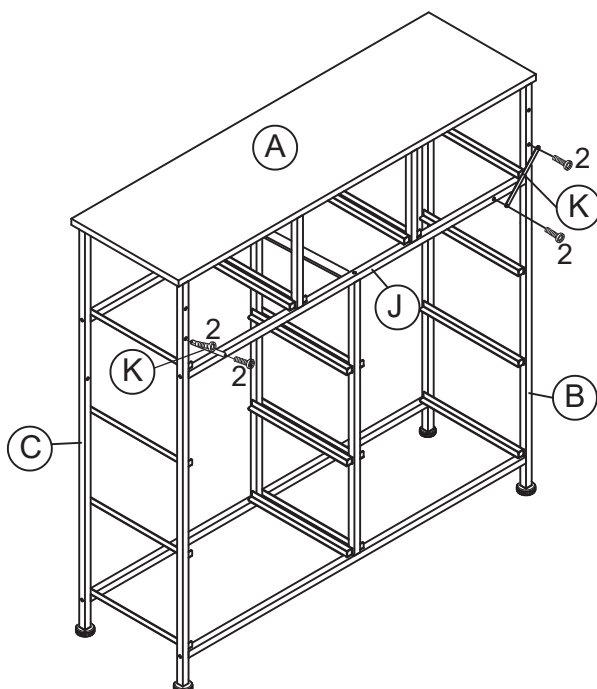
Step 4



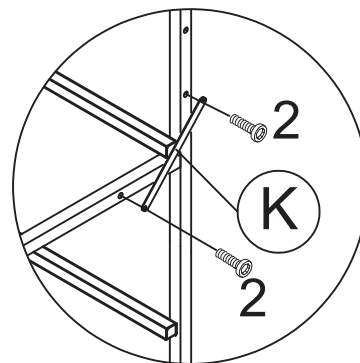
1		X 6
7		X 1

Install Cross Tube **(G)*2** to the Frames **(B&C&E)** with Bolts **(1)*6**.
Then Install Adjusting Foot **(5)*4** to the Side Frames **(B&C)**.

Step 5



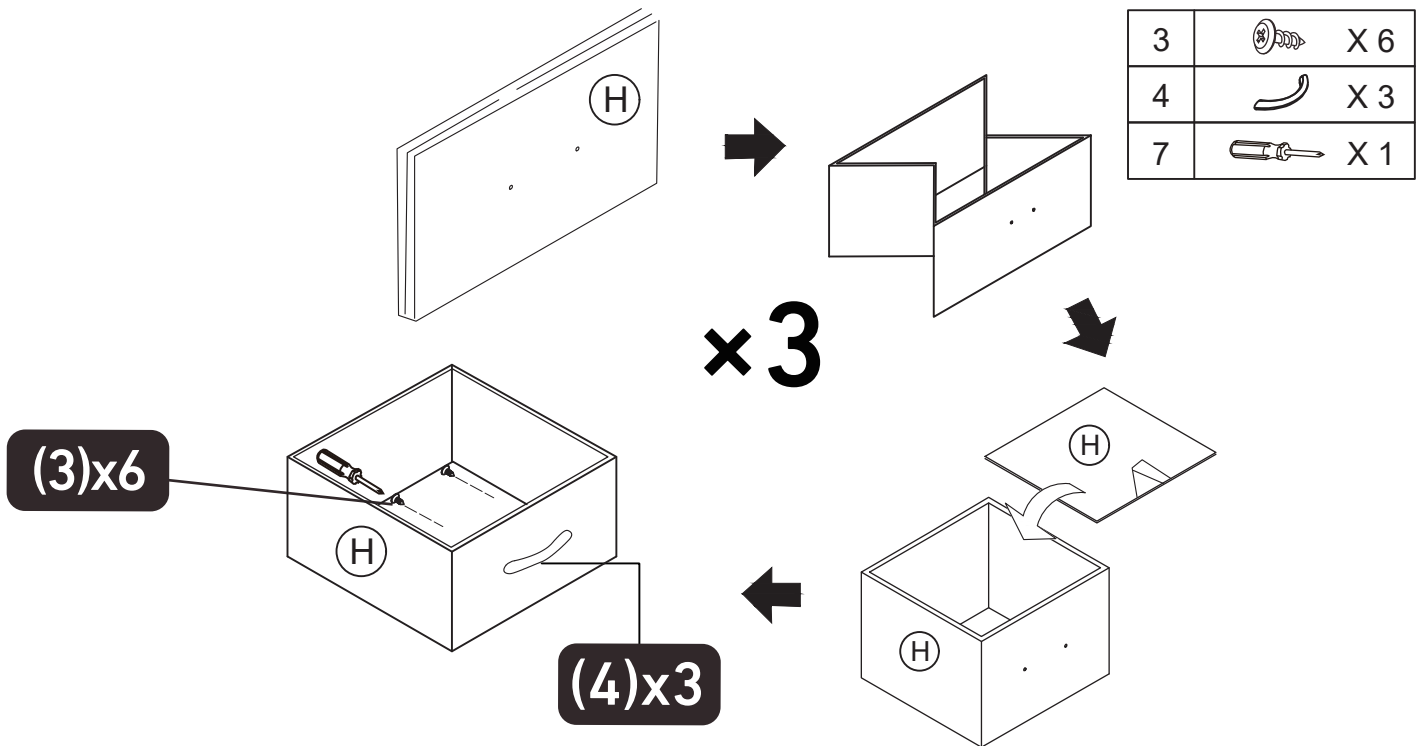
2		X 4
7		X 1



Turn the Dresser face up.

With Bolts **(2)*4**, install Reinforcement Bar **(K)*2** to the Cross Tube **(J)** and Side Frames **(B&C)**.

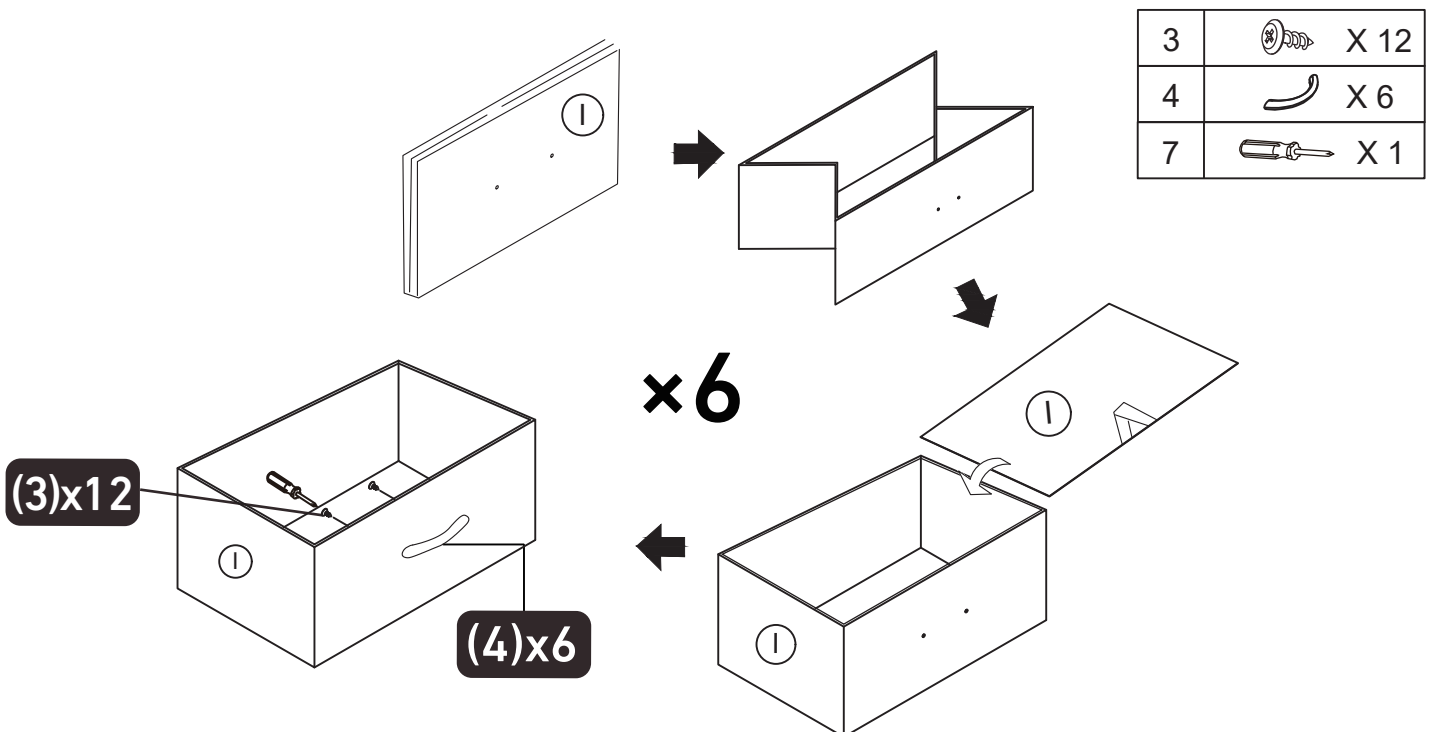
Step 6



Place Base Board for Drawer (H) into the expanded Drawer (H), and install the Drawer Handle (4) with Bolts (3)*6.

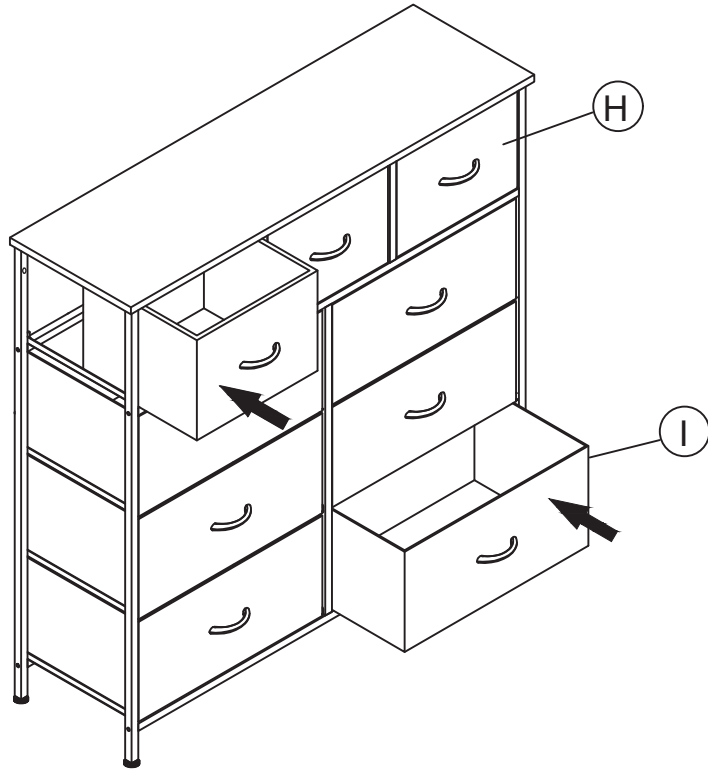
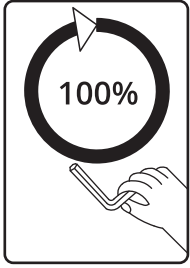
Install the three Drawers (H)*3 in the same way.

Step 7



Install Drawer (I)*6 , Base Board for Drawer (I)*6 and Drawer Handle (4)*6 in the same way as in the previous step.

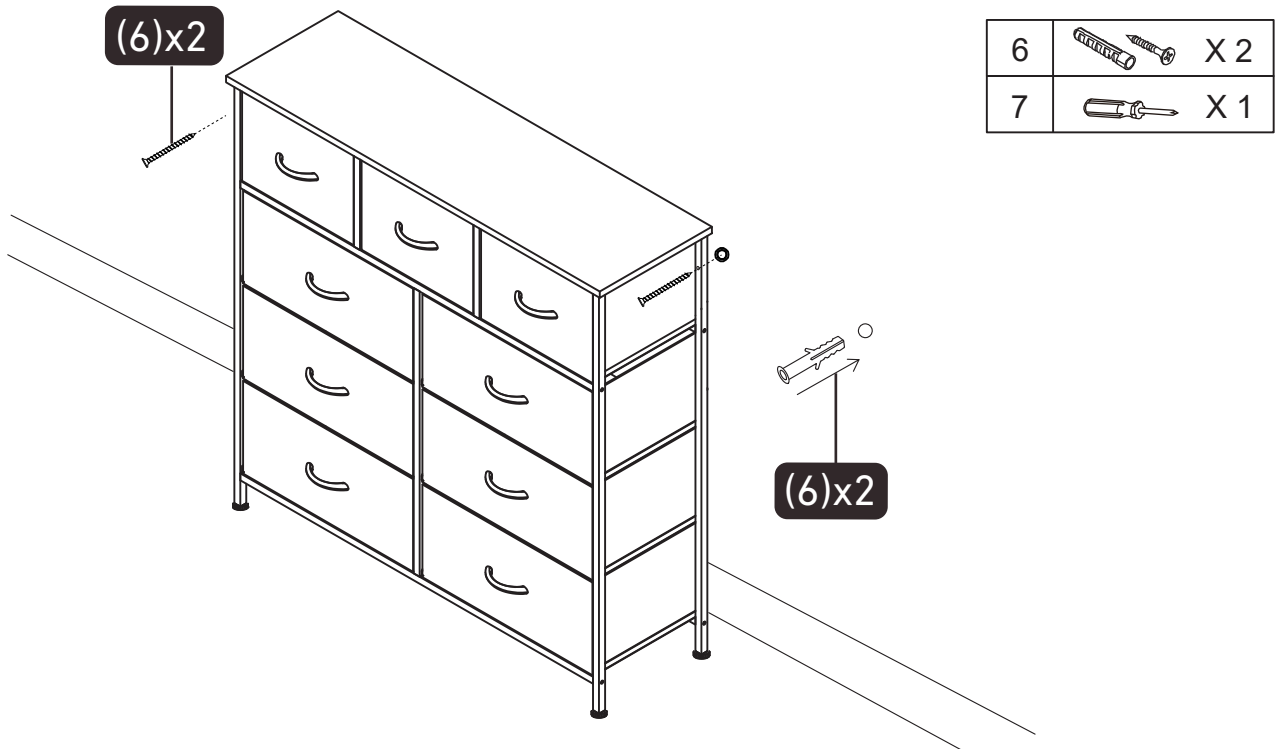
Step 8



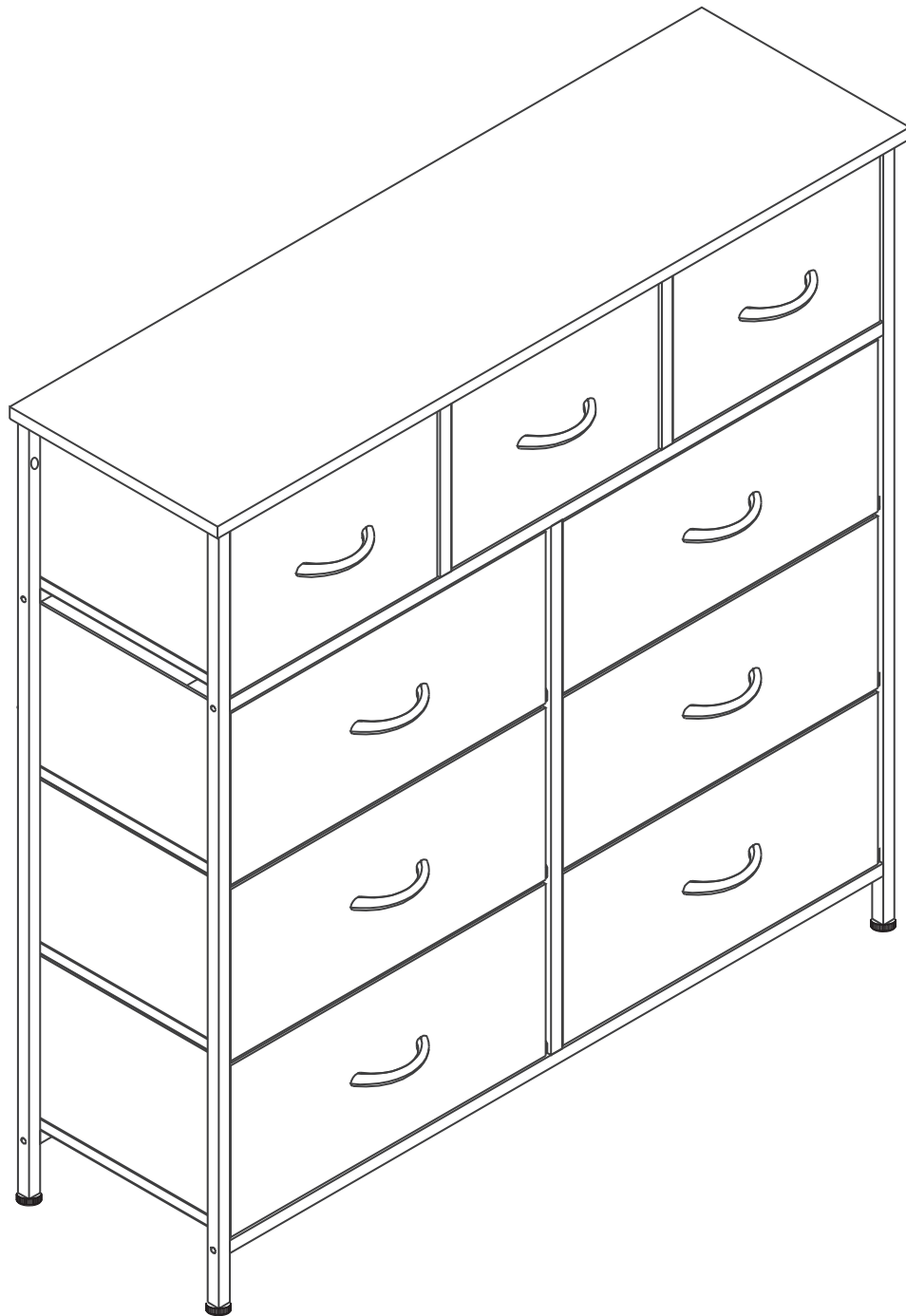
Put the installed Drawer (H)*3, (I)*6 into the frame in turn.

NOTE: Make sure all Bolts are 100% tightened before use

Step 9



If you need to fix the Drawer Storage Tower to the wall, drill holes in the wall with an electric drill, then insert Expansion Tube (6)*2 and fix the Drawer Storage Tower with Bolts (6)*2.



Technical Support

(909)637-7665 | (909)637-7593

Other Info

HJ-Customer-Service@outlook.com

Thank you for choosing this product. We strive to provide you with the best quality products and services in the industry. Should you have any issues, please don't hesitate to contact us.