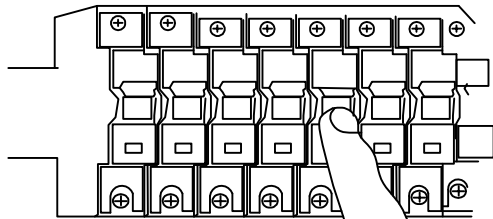


Installation sequence

1

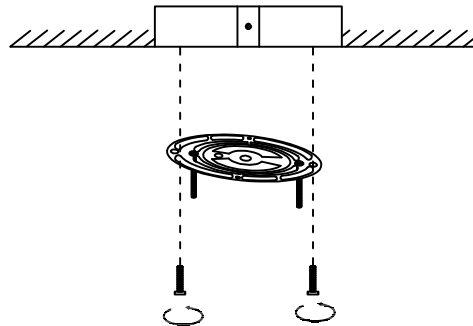


OFF

STEP1

Power off

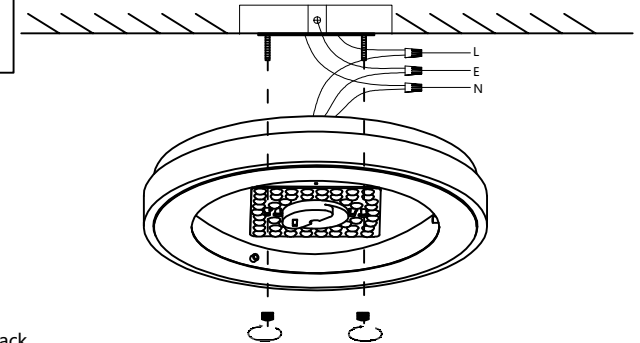
2



STEP2

Secure the mounting bracket to the junction box using the provided screws.

3



black

white

Earth

L

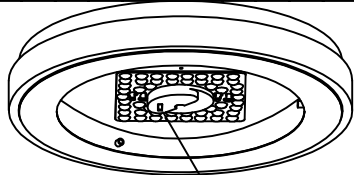
N

E

STEP3

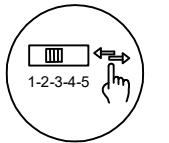
1. Connect the fixture wires to the reserved power supply wires using wire connectors. Make sure to match the live, neutral, and ground wires correctly.
2. Place the canopy over the mounting bracket and secure with the provided decorative nuts.

4



Can be used to change color temperature

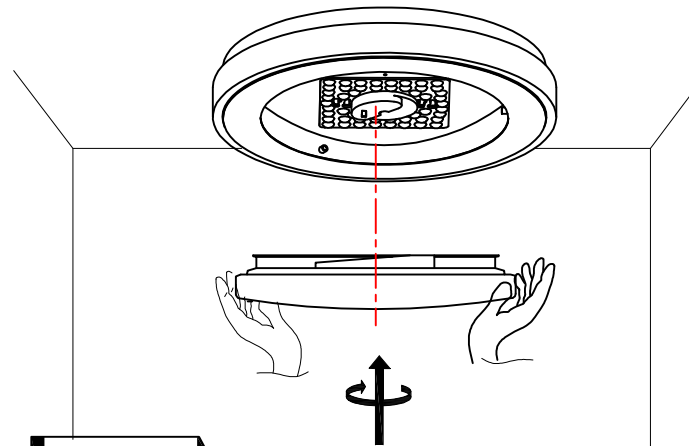
- 1 3000K
- 2 3500K
- 3 4000K
- 4 5000K
- 5 6000K



STEP4

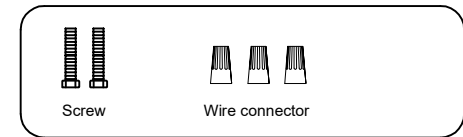
Use the switch on the driver to select the color temperature (make sure the power is turned off before adjusting).

5



STEP5

Align the lampshade slot with the base nail and insert it, then use both hands to rotate the lampshade and base clockwise to secure them.



Screw

Wire connector

Before installation, please check whether the accessories are complete. If you have any problem, please contact our customer service in time.

Note:

1. Voltage: 120V-60Hz
2. Bulb Type: LED
3. Before installation, please cut off the power supply to prevent electric shock.
4. Please be sure the installation step according to the company's instructions.